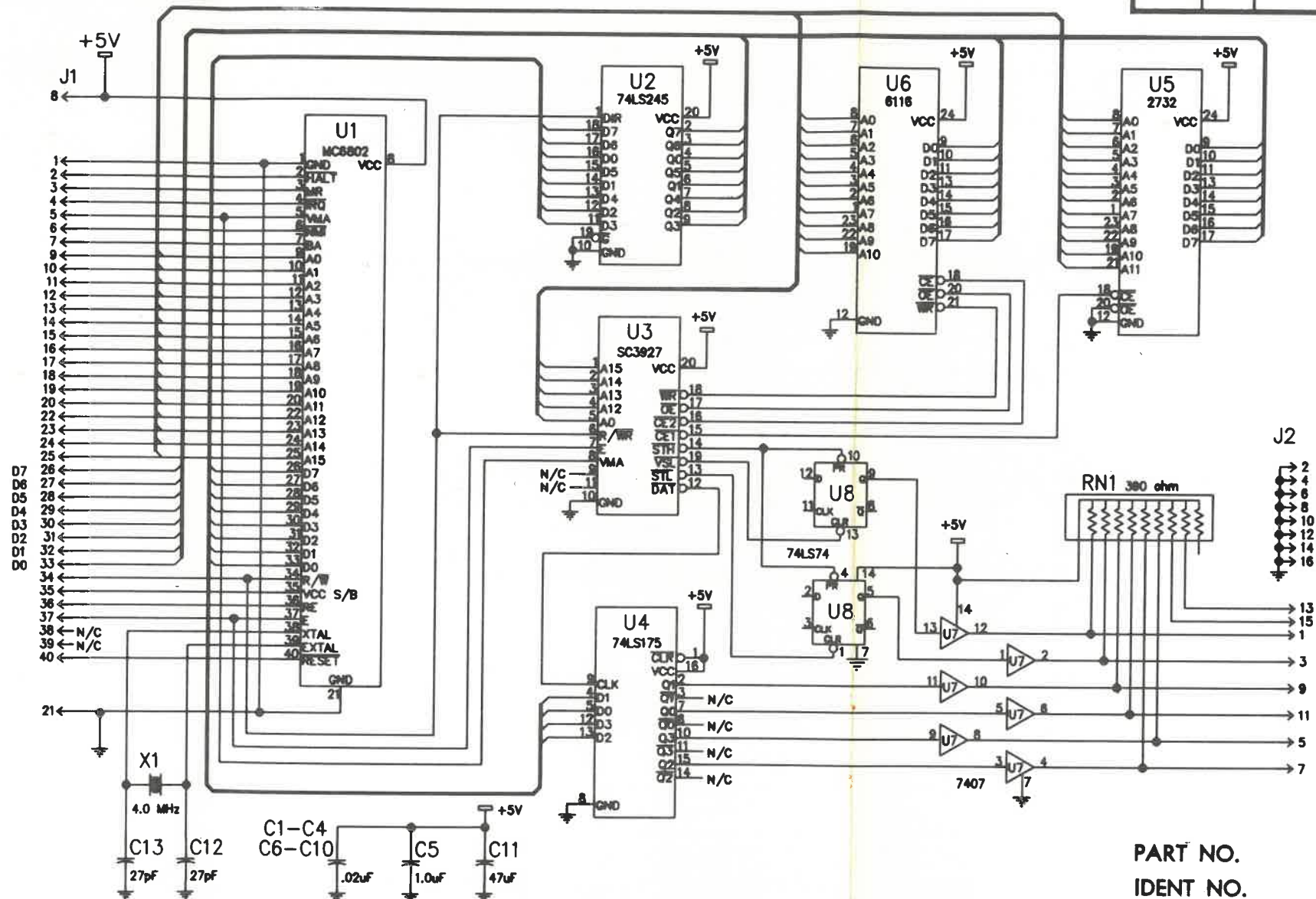


| REVISIONS | | | | | | |
|-----------|-----|----------|-----------------------|-----|---------|----------|
| ZONE | LTR | ECN. NO. | DESCRIPTION — SEE ECN | CHK | DATE | APPROVED |
| C2 | BI | 163 | ADD 4 JMPRS FOR VIDEO | | 9-29-87 | |
| | | | | | | |
| | | | | | | |



COMPANY CONFIDENTIAL

THIS ITEM AND/OR THE INFORMATION CONTAINED THEREIN IS AND REMAINS THE SOLE PROPERTY OF, AND IS PROPRIETARY TO, MERIT INDUSTRIES (MI). THIS ITEM AND/OR INFORMATION SHALL BE KEPT CONFIDENTIAL AND MAY NOT BE REPRODUCED, COPIED, MODIFIED, DISCLOSED, TRANSFERRED, OR MADE AVAILABLE TO OTHERS, EXCEPT WITH THE PRIOR WRITTEN CONSENT OF MI. THIS ITEM AND/OR ALL COPIES, IF ANY, ARE SUBJECT TO RETURN TO MI.

PART NO.
IDENT NO.

FOR MAT'L REQUIREMENTS SEE PL.
PL REV. LETTER CONTROLS DOCUMENT.

| | | | | |
|--|--|------------------------|-----------------------------------|-----------------------------|
| UNLESS OTHERWISE SPECIFIED DIMENSIONS IN INCHES TOL. ON 2 PLACE DECIMALS + 3 PLACE DECIMALS + ANGLES +SURFACE FINISH NOT TO EXCEED 125 REMOVE BURRS & SHARP EDGES MATERIAL: THREADS: EXT. CL 2A, INT CL 2B COMMODITY CODE | LAYOUT DRAFTSMAN <i>CAD</i> CHECKER ENGINEER <i>JWH</i> APPROVAL <i>[Signature]</i> | DATE <i>9-29-87</i> | MERIT INDUSTRIES, INC. | |
| | | | TITLE DRT-325 LOGIC DIAGRAM | |
| | | | SIZE B | CODE IDENT NO. 2500/0047 |
| | | | SCALE | WEIGHT |
| | | | SHEET | OF |