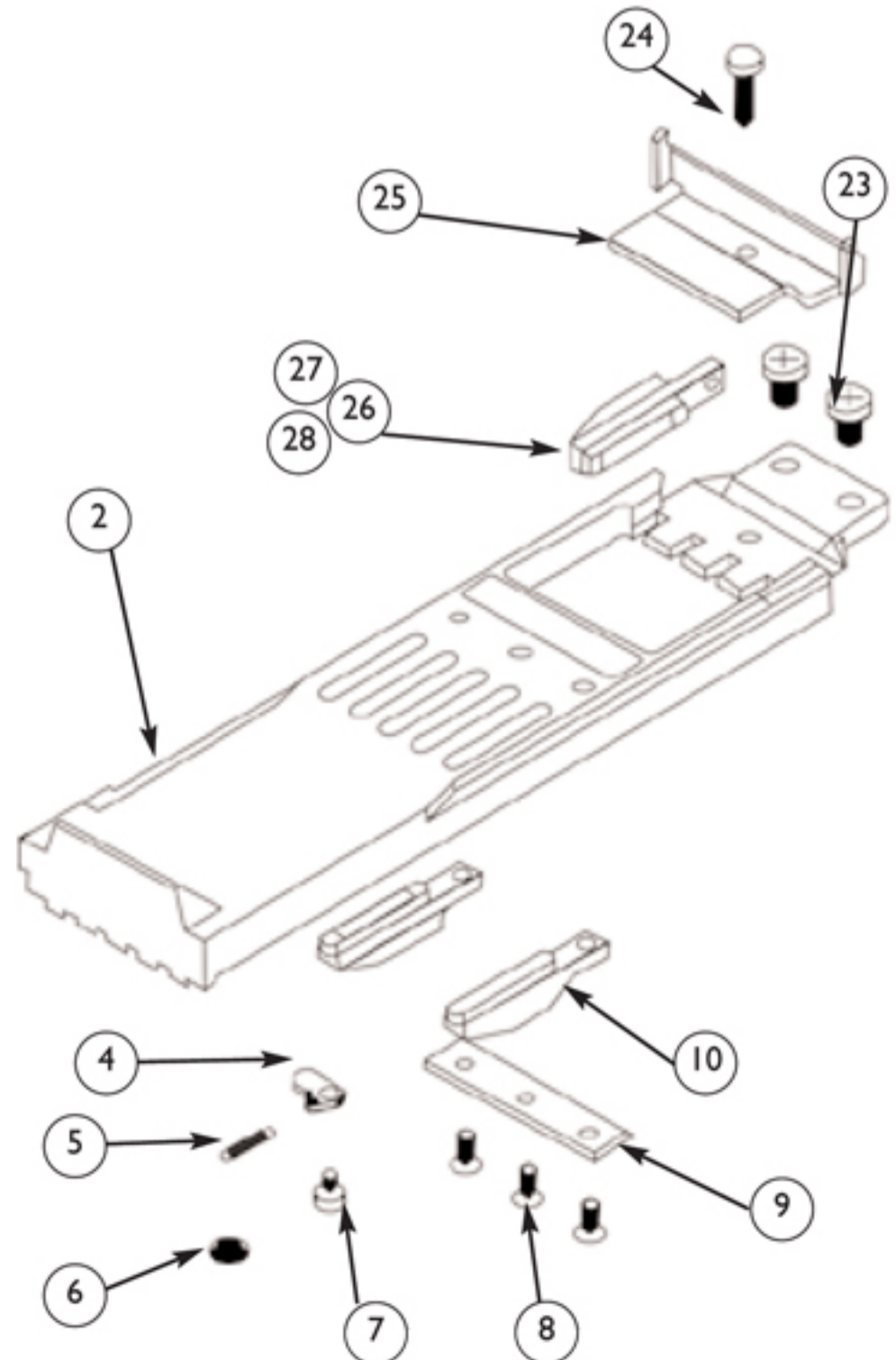


VERTICAL 5 PARTS LIST

ITEM	PART #	DESCRIPTION	OFF
1	21800	BODY	1
2	21242	HANDLE	1
3	21887	BRIDGE	1
4*	20059	RATCHET	1
5*	20065	RATCHET SPRING	1
6*	20664	RETAINER SPRING	1
7*	20736	RATCHET SCREW	1
8*	21209	INSERT RETAINER PLT. SCREW	3
9‡	21256	INSERT RETAINER PLATE	1
10‡	21216	BLANK INSERT	5
11	21244	BOTTOM PLATE	1
12*	50034	BOTTOM PLATE SCREW	2
13‡	21251	PIVOT PIN	1
14‡	20181	LEVER	5
15‡	21907	LEAF SPRING	1
16	21210	RATCHET PLATE	1
17	22246	5CN GATE	1
18	21867	GATE RETAINER	1
19*	20185	LOCATION SCREW	4
20*	50033	BRIDGE SCREW	2
21*	20662	BRIDGE INSERT SCREW	2
22‡	20963	RETURN SPRING	2
23*	50035	EXTENSION SCREW	2
24*	50032	SPRING BRACKET SCREW	1
25	21860	SPRING BRACKET	1
26‡	21194	10¢ FUNCTIONAL CORE	1
27‡	21193	25¢ FUNCTIONAL CORE	5
28‡	21281	\$1.00 FUNCTIONAL CORE	1-4

ITEM	PART #	DESCRIPTION	OFF
29	21288	\$1.10 BRIDGE SIZING BLOCK	1
30	21289	\$1.25 BRIDGE SIZING BLOCK	1
31	21290	\$2.00 BRIDGE SIZING BLOCK	1
32	21291	\$2.75 BRIDGE SIZING BLOCK	1
33	21292	\$3.50 BRIDGE SIZING BLOCK	1
34	21293	\$4.25 BRIDGE SIZING BLOCK	1
35	21253	.015 SHIM	1-2
36	21254	.020 SHIM	1
37	21255	.030 SHIM	1



* SOLD IN MINIMUM QUANTITY OF 100 PER BAG
‡ SOLD IN MINIMUM QUANTITY OF 20 PER BAG

