



# BA32R Series Bill Acceptor

## Installation & Operation Guide

With Multi-Drop Bus

---

### COINCO'S BA32R BILL ACCEPTOR

The BA32R Bill Acceptor is the result of extensive research and development in computerized crediting systems. This greatly simplified unit provides many important features never before available in any bill acceptor. The BA32R Bill Acceptor extends the capability of the vending machine.

Some of the BA32R's many outstanding features include:

- Compact design allows easy mounting in most vendors.
- Most of its components are manufactured of General Electric's Noryl® resins making it resistant to salting, corrosion and rust.
- Snap-in modules for easy cleaning and on-the-spot servicing.
- Standard and MDB (Multi-Drop Bus) interface.
- High dollar bill acceptance rate.
- Dollar bill escrow feature.
- Option switches which allow the acceptance of all or any combination of the following dollar bill denominations: \$1, \$2, \$5, \$10 and \$20.
- The BA32R option switches allow the bill acceptor to be customized to the specific location's needs.

### BA32R OPTION SWITCHES

The BA32R control board contains eight option switches which allows the unit to be customized to the installation requirements. The BA32R option switches are pre-set at the factory and shipped with switches #3 and #8 set to the ON position. This setting allows the acceptance of one dollar bills only, face up in both directions. If desired settings are different from those set at the factory, refer to "Setting Option Switches".

### INSTALLATION AND OPERATION

Before installing the BA32R bill acceptor into the vendor, set the BA32R option switches (if desired settings are different from those set at the factory). See "Setting Option Switches" section for detailed information.

1. Turn OFF vending machine power.
2. Install the BA32R into mounting hole of the vending machine using the appropriate hardware (not included).
3. Connect the BA32R interface harness (not included) between the BA32R and the vending machine.

**CAUTION:** The interface harness, which plugs into the bottom of the bill acceptor, must be plugged in with the connector locking tab located toward the outside wall of the bill acceptor.

**NOTE:** Should additional mounting hardware or harnessing be required, please contact your local Coinco office.

4. Install a Coinco coin changer or the equivalent into the vending machine according to the coin changer instructions.
  5. Load the coin changer coin tubes with a minimum of ten coins in each tube making sure all coins lie flat.
  6. Restore power to vending machine (BA32R stacker will cycle upon power-up).
  7. Observe that power indicator light on bottom of BA32R is ON continuously. If light is off or blinking, check the following:
    - Power to vendor
    - Coin changer tube levels
    - Bill acceptor interface
    - Vendor does not have credit already established.
  8. With the vend price set below one dollar, insert a one dollar bill as shown on the front of the BA32R.
  9. One dollar bill will be accepted and stacked into the bill box.
  10. If the bill acceptor does not accept bill or if it takes the bill in and holds it without giving credit, check the setting of option switch #3. See "Setting Option Switches".
  11. Verify one dollar credit has been established by making a vend and verifying that the proper amount of change is returned.
  12. Check the bill box to see that the one dollar bill is properly stored.
-

## SETTING OPTION SWITCHES

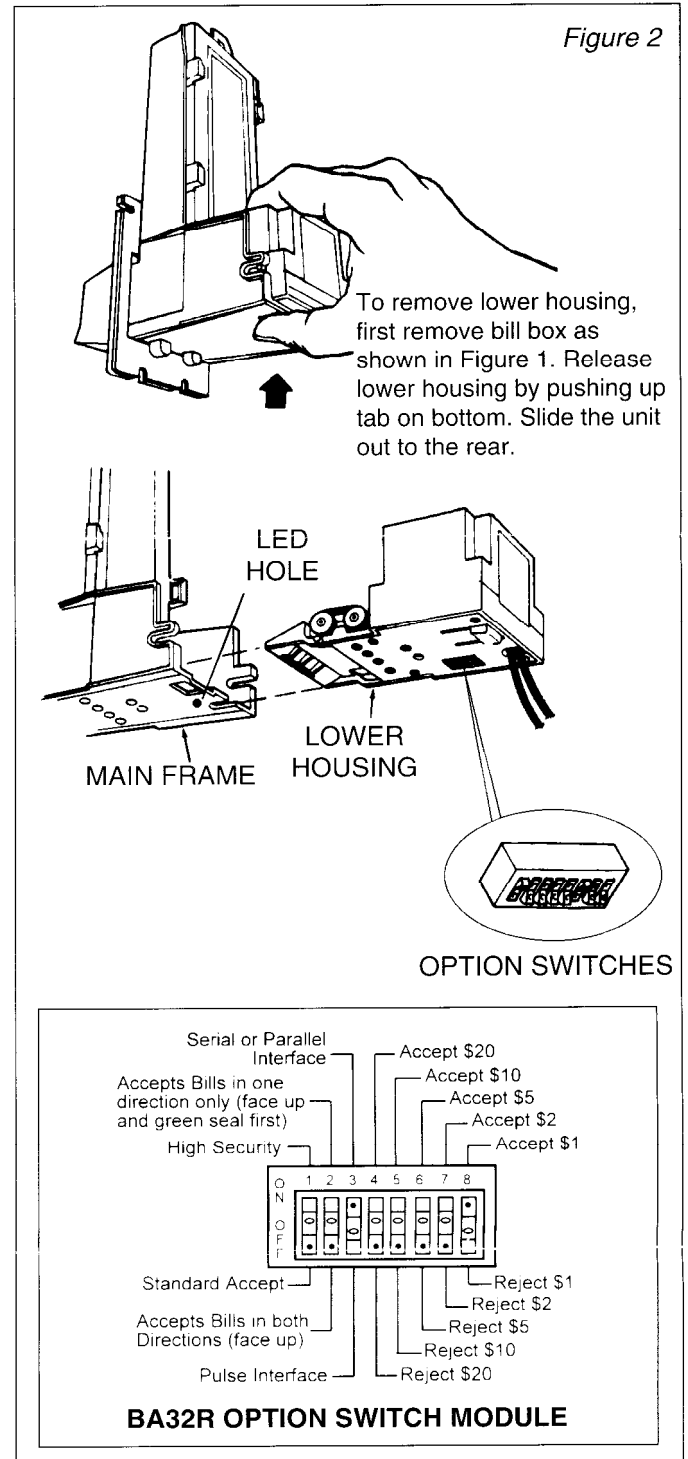
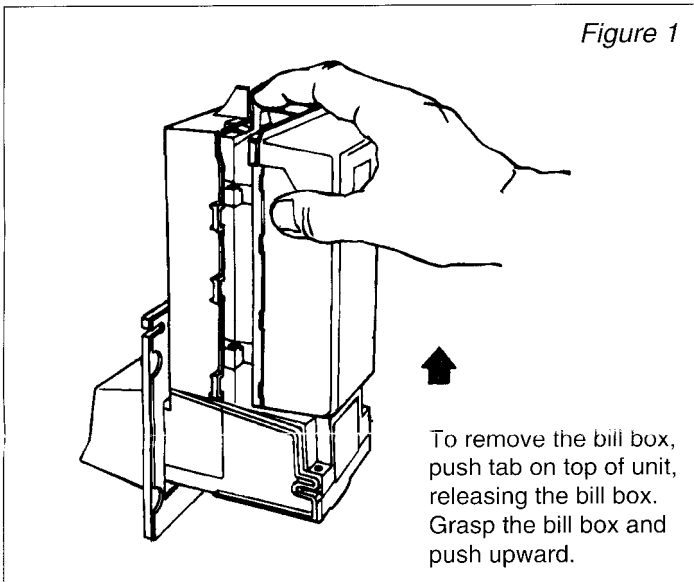
Remove power to the BA32R. Expose the option switches by removing the bill box (see Figure 1) and the lower housing (see Figure 2). Set option switches to desired settings according to the exploded view of the Option Switch Module. Reassemble unit in reverse order of disassembly.

## REMOVING ACCEPTED BILLS

Accepted bills may be removed from the BA32R by opening the bill box lid or by removing the bill box from the acceptor (see Figure 1).

## CLEARING JAMS & CLEANING

Trapped bills/debris or dirt can result in poor bill acceptance or bill rejection. Remove bill box and lower housing to access bill path for clearing trapped bills or debris. Clean bill path plastic parts and belts with a cloth moistened with a mild soap and water solution. Clean the magnetic head and optic sensors using a swab and isopropyl alcohol. **Do not use any petroleum based cleaning solvents, scouring pads or stiff brushes for cleaning. The BA32R never requires lubrication.**



## FLASH CODES

A steady light indicates normal operation. View flash codes from LED hole at bottom of main frame.

- |   |                                                                         |
|---|-------------------------------------------------------------------------|
| 1 | Bill Box Full                                                           |
| 2 | Not Used                                                                |
| 3 | Check Bill Path                                                         |
| 4 | All Bill Accept Switches (4 thru 8) of the Option Switch Module Are Off |
| 5 | Bill Jam                                                                |
| 6 | (or more) Reset or Service Required                                     |