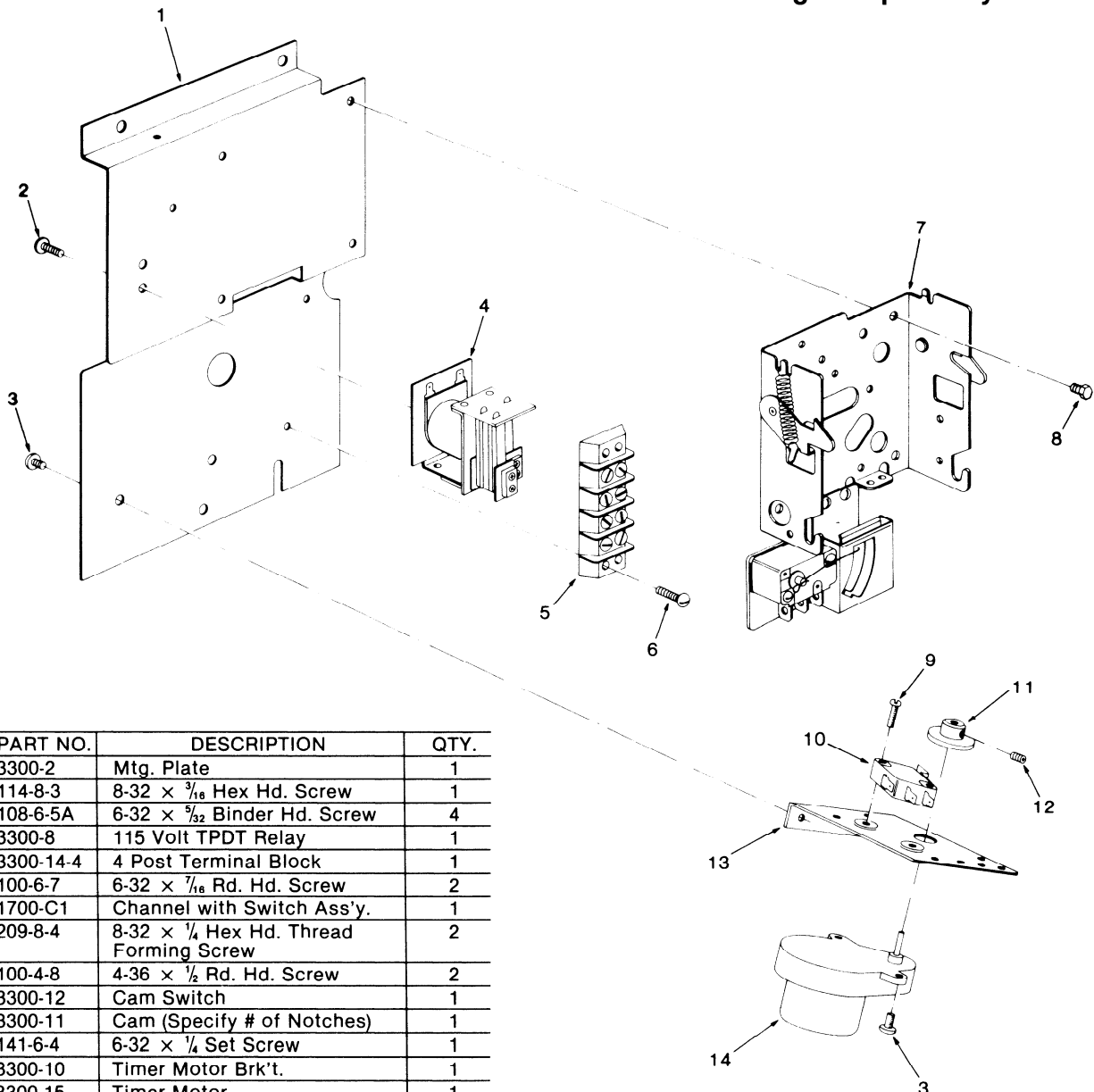


X3300 MECHANICAL TIMER PLATE ASSEMBLY

- Motor drive system designed for low budget application
- Wide variety of pre-set times available
- Circuit designed for 5-7 amp. 120 V.A.C. service
- Quick release latch for easy coin mech removal
- Complete domestic, foreign and token coin mech systems
- Available with our new Coin Comparitor . . . Simply the Best!
- Optional features include:
 - coin blockout coil
 - counters
- Designed for use with 3300 Coin Box or can be bought separately



DRWG. NO.	PART NO.	DESCRIPTION	QTY.
1	3300-2	Mtg. Plate	1
2	114-8-3	8-32 x 3/16 Hex Hd. Screw	1
3	108-6-5A	6-32 x 1/2 Binder Hd. Screw	4
4	3300-8	115 Volt TPDT Relay	1
5	3300-14-4	4 Post Terminal Block	1
6	100-6-7	6-32 x 7/16 Rd. Hd. Screw	2
7	1700-C1	Channel with Switch Ass'y.	1
8	209-8-4	8-32 x 1/4 Hex Hd. Thread Forming Screw	2
9	100-4-8	4-36 x 1/2 Rd. Hd. Screw	2
10	3300-12	Cam Switch	1
11	3300-11	Cam (Specify # of Notches)	1
12	141-6-4	6-32 x 1/4 Set Screw	1
13	3300-10	Timer Motor Brk't.	1
14	3300-15	Timer Motor	1
Not Shown	3300-13	Wiring Harness	1