

COIN CONTROLS

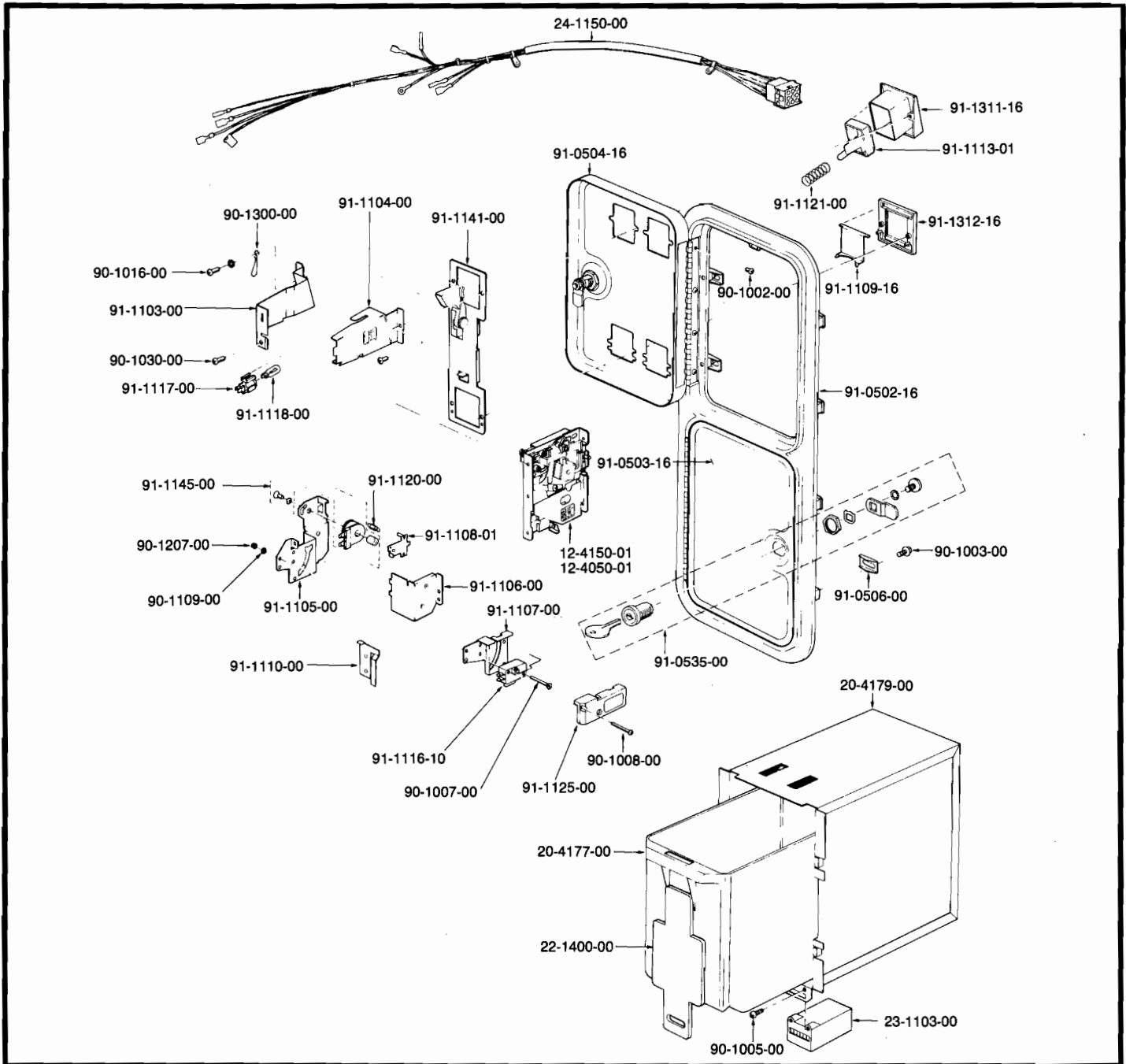
May, 1987

Parts and Price List

1-800-323-8174

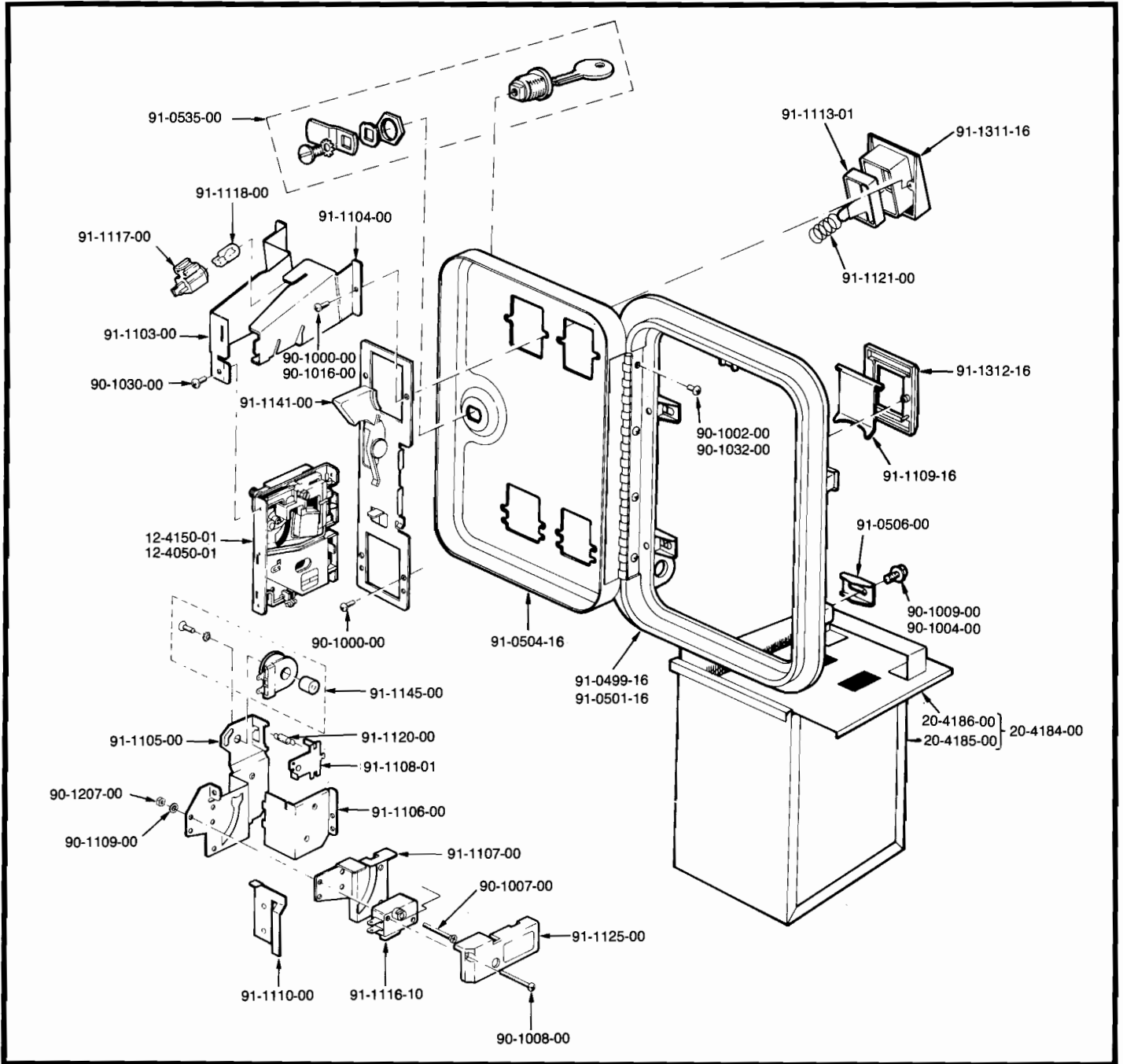
Coin Controls Inc.
1000 A Touhy Avenue
Elk Grove Village, Illinois 60007
Telex: 297-108 Coin UR
FAX 1-312-228-1833
In Illinois 1-312-228-1810

DOUBLE FRAME MINI DOOR



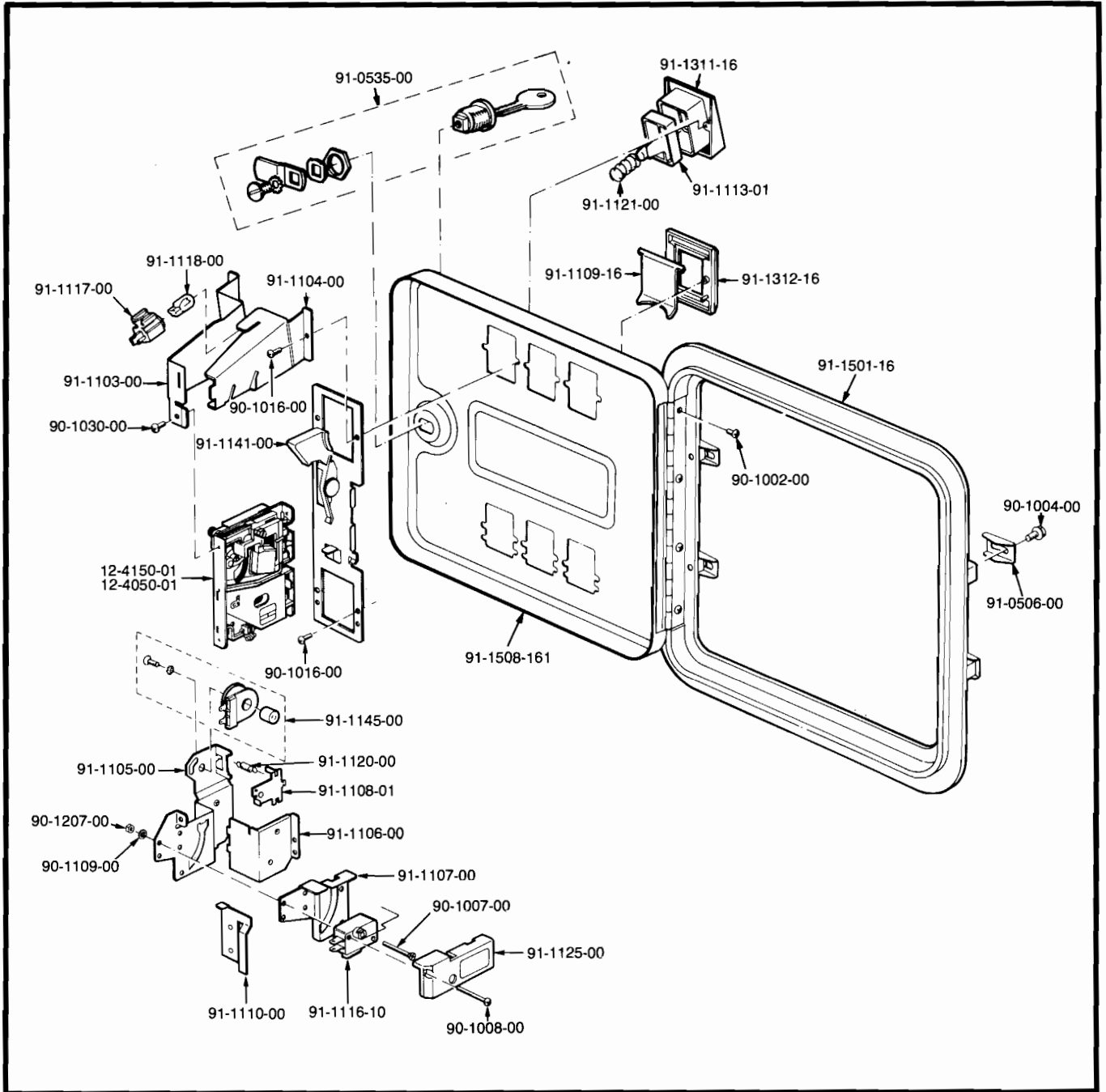
12-4050-01	S-10 Acceptor	\$ 9.80	90-1207-00	Nut For M/S		91-1112-16	Black Reject Bezel Zinc	1.95
12-4150-01	Gold Mech U.S. 25*	8.25		Mounting Screw	.05	91-1113-01	Entry/Reject Button	
20-4177-00	Plastic Cashbox	5.45	90-1300-00	Keyhook	.20		U.S. 25*	2.85
20-4179-00	Steel Enclosure	14.35	91-0502-16	Black Double		91-1116-10	Microswitch W/Wire	
22-1400-00	Locking Bar	3.05		Frame Zinc	16.00		U.S. 25*	3.95
23-1103-00	4.5V Meter W/Diode	5.75	91-0503-16	Lower Door	10.00	91-1117-00	Lampholder	.45
24-1150-00	Wire Harness	5.50	91-0504-16	Upper Door	10.00	91-1118-00	6V Wedge Base Lamp	.25
90-1000-00	Zinc Bezel Screw	.10	91-0506-00	Clamp	.15	91-1120-00	Lockout Spring	.10
90-1002-00	Hinge Screw Zinc Frame	.10	91-0535-00	Flat Key Lock	3.25	91-1121-00	Button Spring	.15
90-1003-00	Clamp Screw		91-1103-00	Coin Inlet Lamp Side	2.70	91-1125-00	Clear Plastic M/S Cover	.50
	Double Frame	.15	91-1104-00	Coin Inlet Cover Side	2.55	91-1141-00	Base Plate W/Pivot	
90-1005-00	Meter Mounting Screw	.10	91-1105-00	Reject Cup Side Plate	2.70		and Stud	3.25
90-1007-00	M/S Mounting Screw		91-1106-00	Reject Cup Base Plate	2.45	91-1145-00	12VDC Lockout Coil	2.15
	Flat Head	.10	91-1107-00	Microswitch Bracket	1.55	91-1211-00	Silver Button Bezel	2.85
90-1008-00	M/S Mounting Screw		91-1108-01	Lock Out Flap U.S. 25*	1.05	91-1212-00	Silver Reject Bezel	1.95
	Pan Head	.10	91-1109-16	Reject Flap	1.00	91-1311-16	Black Button Bezel Nylon	2.85
90-1016-00	Nylon Bezel Screw	.10	91-1110-00	Metal Switch Adjuster	.50	91-1312-16	Black Reject Bezel Nylon	1.95
90-1030-00	Retaining Screw For		91-1111-16	Black Button Bezel Zinc	2.85			
	Gold Mech	.10						

MINI DOOR



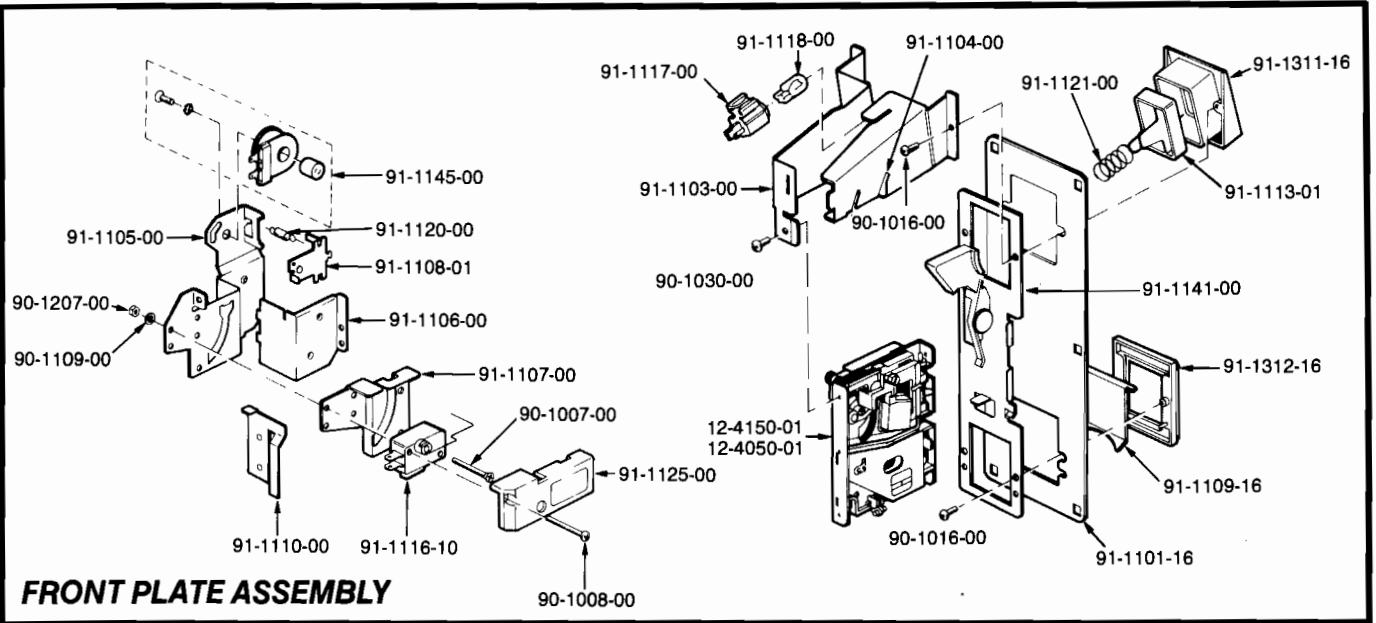
12-4050-01	S-10 Acceptor	\$ 9.80	90-1032-00	Hinge Screw		91-1109-16	Reject Flap	1.00
12-4150-01	Gold Mech U.S. 25*	8.25	90-1207-00	Nylon Frame	.10	91-1110-00	Metal Switch Adjuster	.50
20-4184-00	Mini Cashbox and Lid	9.75		Mounting Screw	.05	91-1111-16	Black Button Bezel Zinc	2.85
20-4185-00	Mini Cashbox	6.35	90-1300-00	Keyhook	.20	91-1112-16	Black Reject Bezel Zinc	1.95
20-4186-00	Mini Cashbox Lid	3.40	91-0499-16	Black Mini Frame Nylon	5.00	91-1113-01	Entry/Reject Button	
23-1103-00	4.5V Meter W/Diode	5.75	91-0501-16	Black Mini Frame Zinc	10.00		U.S. 25*	2.85
24-1150-00	Wire Harness	5.50	91-0504-16	Upper Door	10.00	91-1116-10	Microswitch W/Wire	3.95
90-1000-00	Zinc Bezel Screw	.10	91-0506-00	Clamp	.15		U.S. 25*	
90-1002-00	Hinge Screw Zinc Frame	.10	91-0535-00	Flat Key Lock	3.25	91-1117-00	Lampholder	.45
90-1004-00	Clamp Screw Zinc Frame	.15	91-1103-00	Coin Inlet Lamp Side	2.70	91-1118-00	6V Wedge Base Lamp	.25
90-1005-00	Meter Mounting Screw	.10	91-1104-00	Coin Inlet Cover Side	2.55	91-1120-00	Lockout Spring	.10
90-1007-00	M/S Mounting Screw		91-1105-00	Reject Cup Side Plate	2.70	91-1121-00	Button Spring	.15
	Flat Head	.10	91-1106-00	Reject Cup Base Plate	2.45	91-1125-00	Clear Plastic M/S Cover	.50
90-1008-00	M/S Mounting Screw		91-1107-00	Microswitch Bracket	1.55	91-1141-00	Base Plate W/Pivot	
	Pan Head	.10	91-1108-01	Lock Out Flap U.S. 25*	1.05		and Stud	3.25
90-1009-00	Clamp Screw					91-1145-00	12VDC Lockout Coil	2.15
	Nylon Frame	.10				91-1211-00	Silver Button Bezel	2.85
90-1016-00	Bezel Screw Nylon	.10				91-1212-00	Silver Reject Bezel	1.95
90-1030-00	Retaining Screw					91-1311-16	Black Button Bezel Nylon	2.85
	For Gold Mech	.10				91-1312-16	Black Reject Bezel Nylon	1.95

STANDARD DOOR



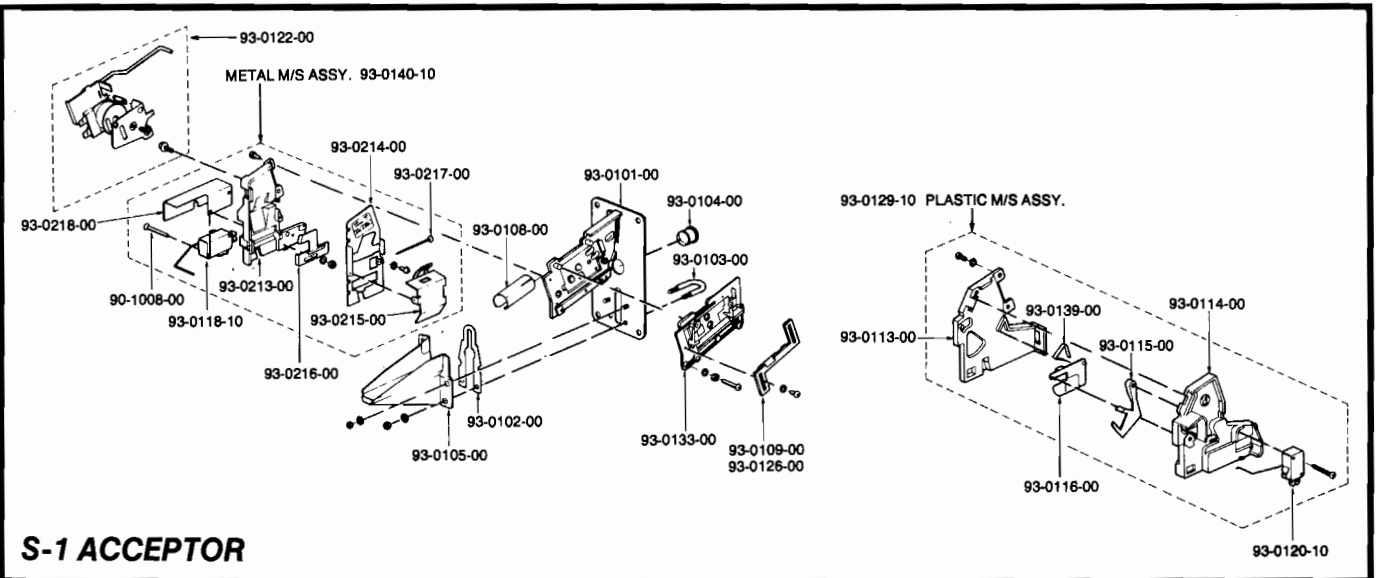
12-4050-01	S-10 Acceptor	\$ 9.80	91-0506-00	Clamp	.15	91-1118-00	6V Wedge Base Lamp	.25
12-4150-01	Gold Mech U.S. 25*	8.25	91-0535-00	Flat Key Lock	3.25	91-1120-00	Lockout Spring	.10
24-1150-00	Wire Harness	5.50	91-1103-00	Coin Inlet Lamp Side	2.70	91-1121-00	Button Spring	.15
90-1000-00	Keyhook Bezel Screw	.10	91-1104-00	Coin Inlet Cover Side	2.55	91-1125-00	Clear Plastic M/S Cover	.50
90-1002-00	Hinge Screw		91-1105-00	Reject Cup Side Plate	2.70	91-1141-00	Base Plate W/Pivot	
90-1004-00	Zinc Frame	.10	91-1106-00	Reject Cup Base Plate	2.45		and Stud	3.25
90-1007-00	Clamp Screw Zinc Frame	.15	91-1107-00	Microswitch Bracket	1.55	91-1145-00	12VDC Lockout Coil	2.15
90-1008-00	M/S Mounting Screw		91-1108-01	Lock Out Flap U.S. 25*	1.05	91-1211-00	Silver Button Bezel	2.85
	Flat Head	.10	91-1109-16	Reject Flap	1.00	91-1212-00	Silver Reject Bezel	1.95
90-1016-00	M/S Mounting Screw		91-1110-00	Metal Switch Adjuster	.50	91-1311-16	Black Button Bezel Nylon	2.85
90-1030-00	Bezel Screw Nylon	.10	91-1111-16	Black Button Bezel Zinc	2.85	91-1312-16	Black Reject Bezel Nylon	1.95
90-1030-00	Retaining Screw For		91-1112-16	Black Reject Bezel Zinc	1.95	91-1501-16	Standard Door	
	Gold Mech	.10	91-1113-01	Entry/Reject Button			Frame Black	12.00
90-1207-00	Nut For M/S			U.S. 25*	2.85	91-1502-161	Standard Door	
90-1300-00	Mounting Screw	.05	91-1116-10	Microswitch W/Wire	3.95		2E Black	11.00
	Keyhook	.20	91-1117-00	U.S. 25*		91-1508-161	Standard Door	
				Lampholder	.45		3E Black	12.00

FRONT PLATE ASSEMBLY & S-1 ACCEPTOR



FRONT PLATE ASSEMBLY

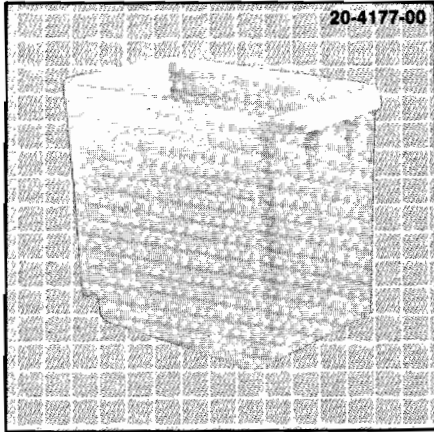
12-4050-01	S-10 Acceptor	\$ 9.80	91-1104-00	Coin Inlet Cover Side	2.55	91-1117-00	Lampholder	.45
12-4150-01	Gold Mech U.S. 25¢	8.25	91-1105-00	Reject Cup Side Plate	2.70	91-1118-00	6V Wedge Base Lamp	.25
90-1007-00	M/S Mounting Screw		91-1106-00	Reject Cup Base Plate	2.45	91-1120-00	Lockout Spring	.10
	Flat Head	.10	91-1107-00	Microswitch Bracket	1.55	91-1121-00	Button Spring	.15
90-1008-00	M/S Mounting Screw		91-1108-01	Lock Out Flap U.S. 25¢	1.05	91-1125-00	Clear Plastic M/S Cover	.50
	Pan Head	.10	91-1109-16	Reject Flap	1.00	91-1141-00	Base Plate W/Pivot and Stud	3.25
90-1016-00	Bezel Screw Nylon	.10	91-1110-00	Metal Switch Adjuster	.50	91-1145-00	12VDC Lockout Coil	2.15
90-1030-00	Retaining Screw For Gold Mech.	.10	91-1111-16	Black Button Bezel Zinc	2.85	91-1211-00	Silver Button Bezel	2.85
90-1207-00	Nut For M/S		91-1112-16	Black Reject Bezel Zinc	1.95	91-1212-00	Silver Reject Bezel	1.95
	Mounting Screw	.05	91-1113-01	Entry/Reject Button U.S. 25¢	2.85	91-1311-16	Black Button Bezel Nylon	2.85
91-1101-16	Front Plate Black	1.95	91-1116-10	Microswitch W/Wire U.S. 25¢	3.95	91-1312-16	Black Reject Bezel Nylon	1.95
91-1103-00	Coin Inlet Lamp Side	2.70						



S-1 ACCEPTOR

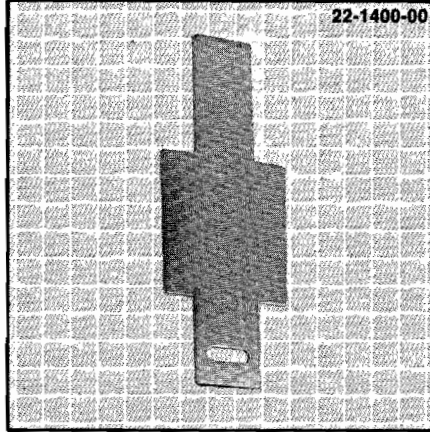
90-1008-00	Microswitch Mounting Screw	\$.10	93-0114-00	Removable Side	1.50	93-0133-00	Gate Assembly	9.95
93-0101-00	S-1 Front Plate	2.95	93-0115-00	Interlock	.95	93-0139-00	Rail Clip	.50
93-0102-00	Button Spring	.20	93-0116-00	Coin Guide	.75	93-0140-10	Complete Metal M/S Assembly	9.95
93-0103-00	U-Bolt, Nuts and Washers	1.50	93-0118-10	Microswitch (For Metal M/S Assembly)	3.95	93-0213-00	Fixed Side	1.50
93-0104-00	Reject Button	1.25	93-0120-10	Microswitch (For Plastic M/S Assembly)	3.95	93-0214-00	Removable Side	1.50
93-0105-00	Return Chute	1.95	93-0122-00	12VDC Lockout Assembly	5.50	93-0215-00	Interlock	.95
93-0108-00	Bulldog Spring	1.00	93-0126-00	Milled Slider Bar	3.50	93-0216-00	Coin Guide	.75
93-0109-00	Unmilled Slider Bar	3.00	93-0129-10	Complete Plastic M/S Assembly	9.95	93-0217-00	Interlock Pin	.35
93-0113-00	Fixed Side	1.50				93-0218-00	Microswitch Cover	1.50

ACCESSORIES



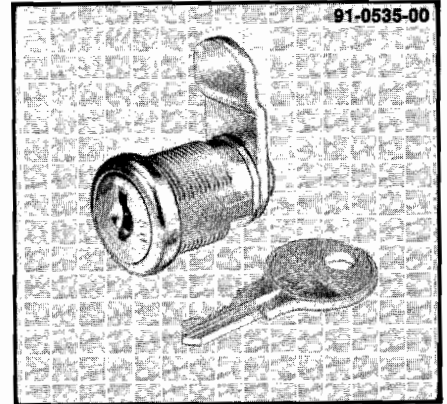
20-4177-00

Plastic Cashbox



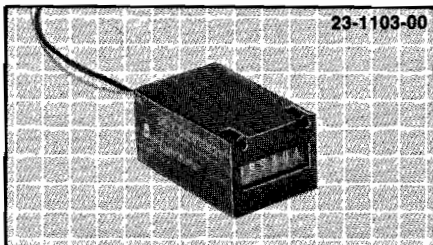
22-1400-00

Steel Internal Locking Bar



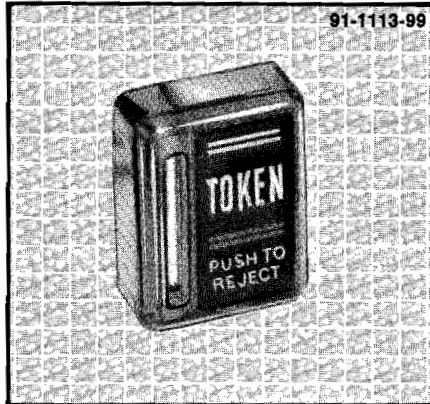
91-0535-00

Key Lock



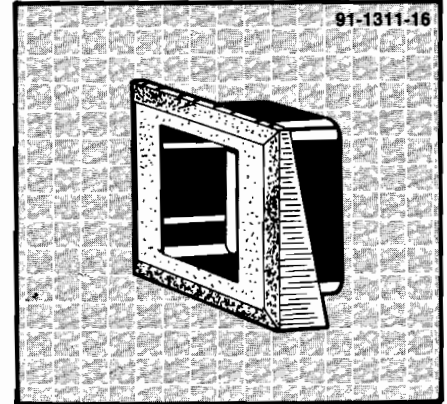
23-1103-00

Coin Meter



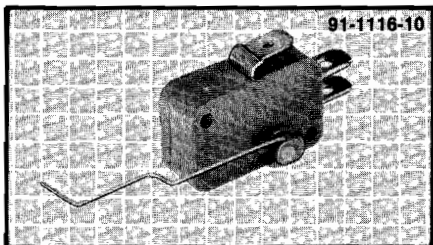
91-1113-99

Entry/Reject Button Assembly



91-1311-16

Bezel



91-1116-10

Coin Microswitch With Wire

Minimum order of \$25.00 plus shipping charge and your state sales tax, if applicable, is required. Prices quoted are **F.O.B. factory**, Elk Grove, Illinois.

Description	Part Number	Price per each		
		1-99	100-499	500 + over
Plastic Cash Box	20-4177-00	\$5.45	\$4.60	\$3.80
Steel Locking Bar	22-1400-00	3.05	2.35	1.75
Flat Key Lock	91-0535-00	3.25	2.75	2.25
Meter 4.5VDC W/Diode	23-1103-00	5.75	4.60	3.90
Meter 12VDC W/Diode	23-1011-00	5.75	4.60	3.90
Meter 24VDC W/Diode	23-1021-00	5.75	4.60	3.90
Meter 115VAC	23-1030-00	5.75	4.60	3.90
Entry/Reject Button Token	91-1113-99	2.85	2.40	2.00
Entry/Reject Button U.S. 25¢	91-1113-01	2.85	2.40	2.00
Entry/Reject Button U.S. 2x25¢	91-1113-06	2.85	2.40	2.00
Nylon Button Bezel Black	91-1311-16	2.85	2.40	2.00
Zinc Button Bezel Black	91-1111-16	2.85	2.40	2.00
Silver Button Bezel	91-1211-00	2.85	2.40	2.00
Coin Microswitch W/Wire S-10	91-1116-10	3.95	3.35	2.75
Coin Microswitch W/Wire S-1 Metal	93-0118-10	3.95	3.35	2.75
Coin Microswitch W/Wire S-1 Plastic	93-0120-10	3.95	3.35	2.75