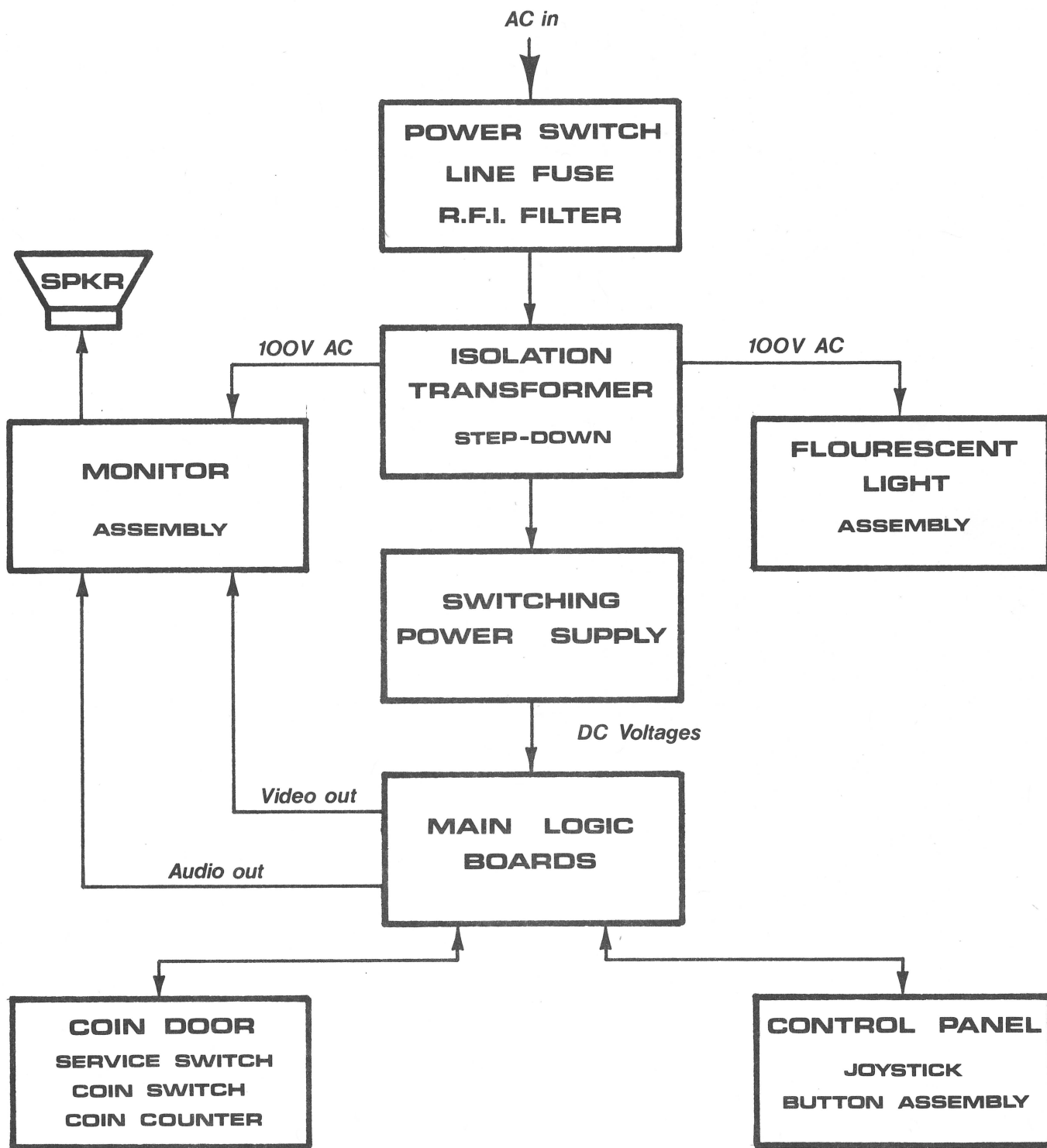
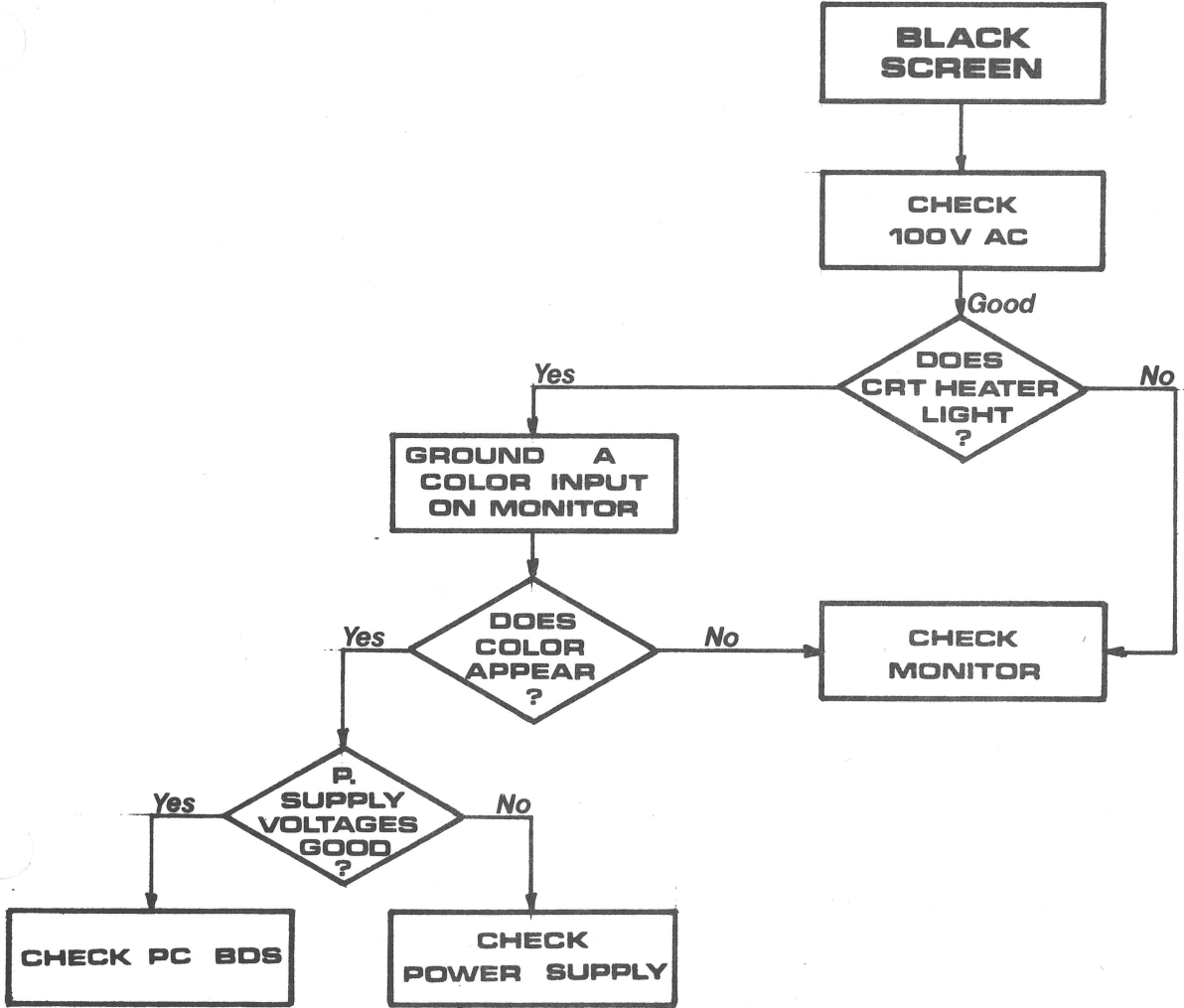
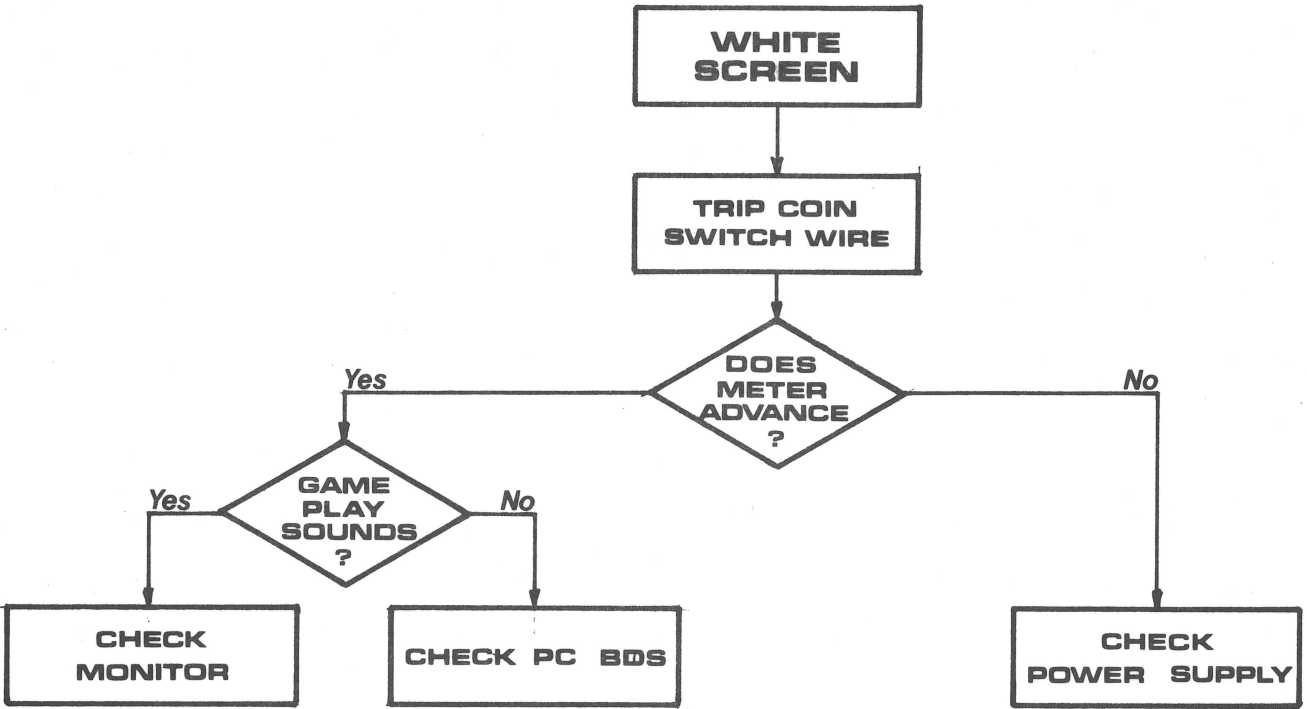
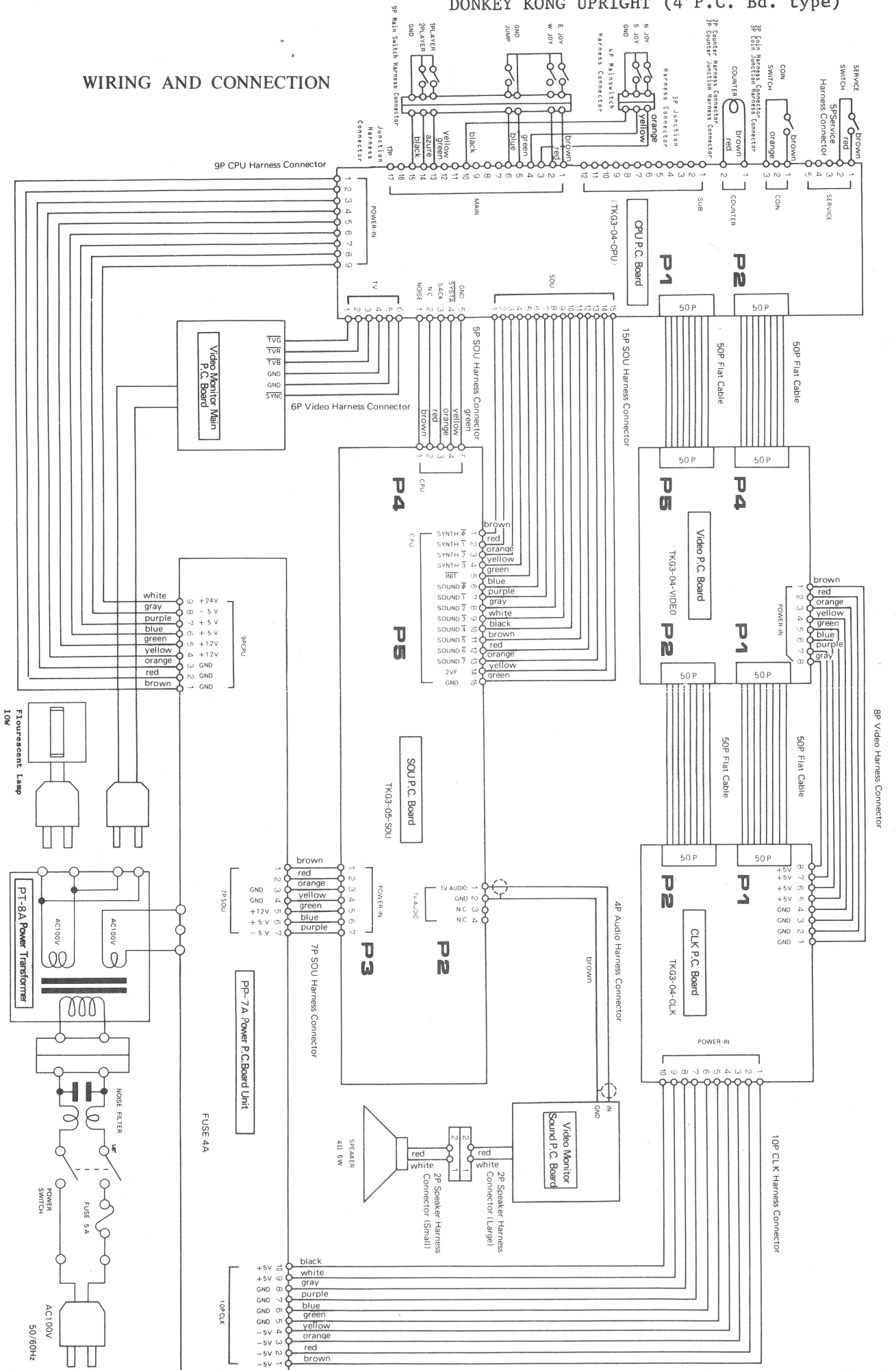


# VIDEO GAME SYSTEM Block Diagram

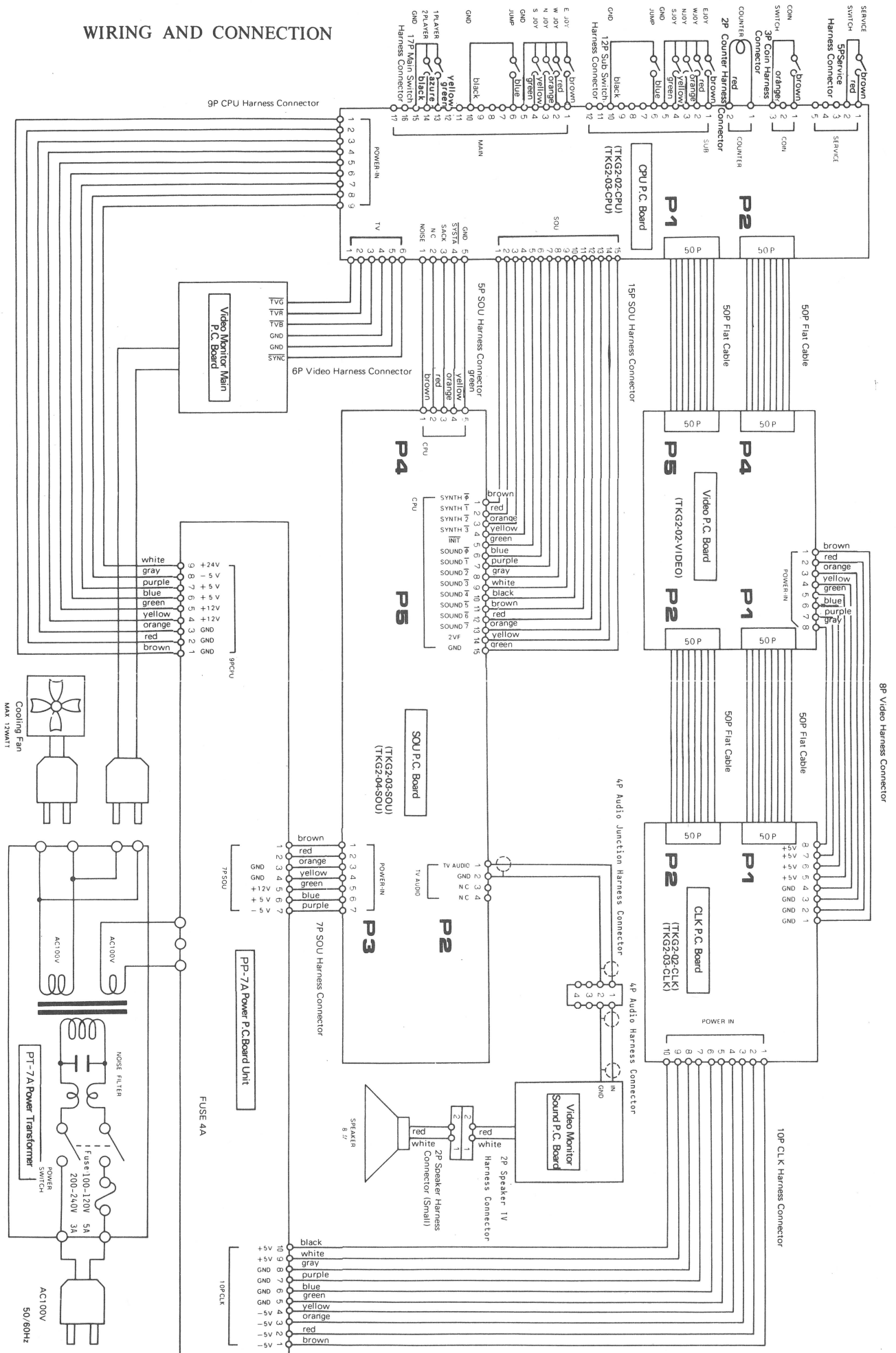


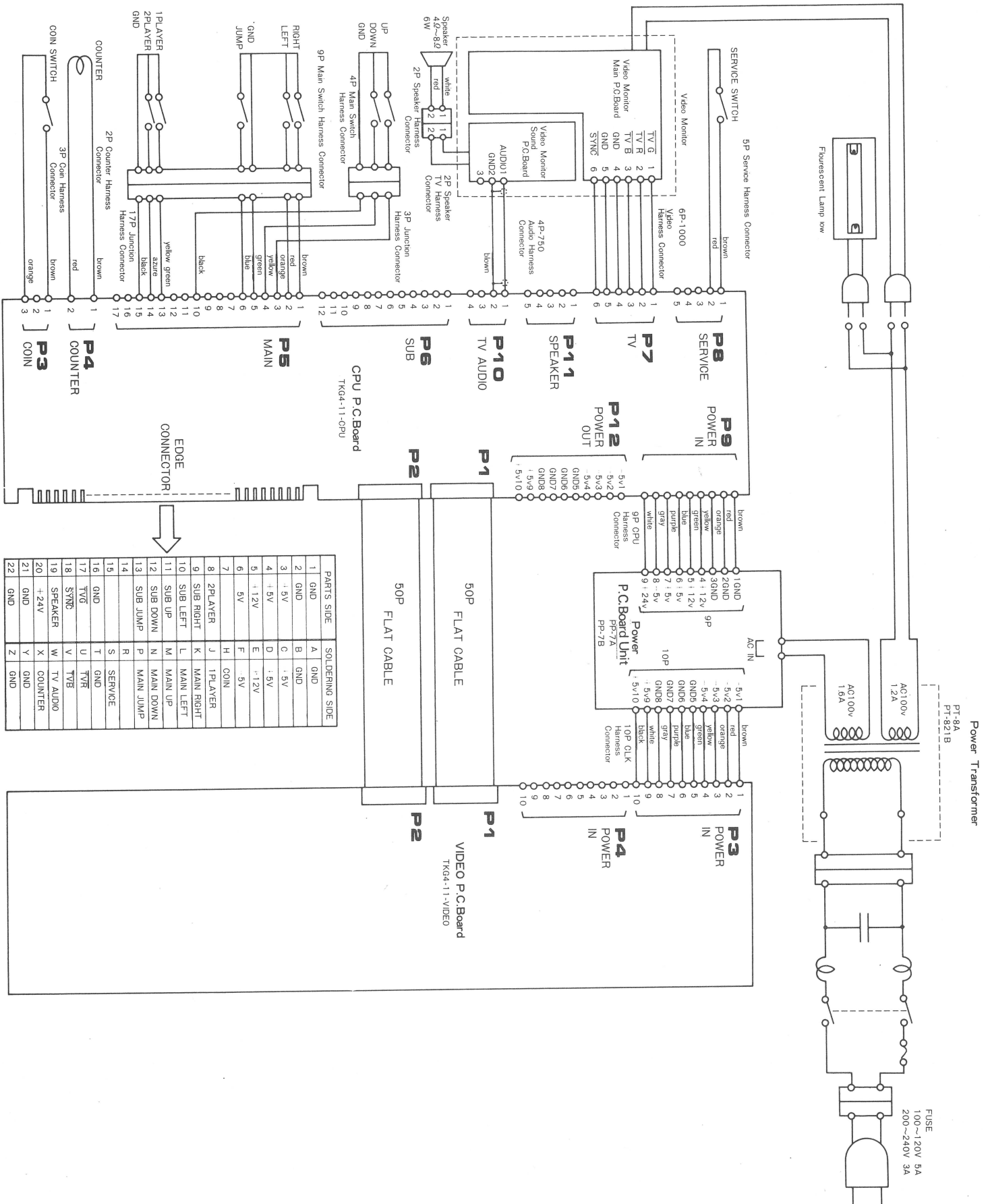


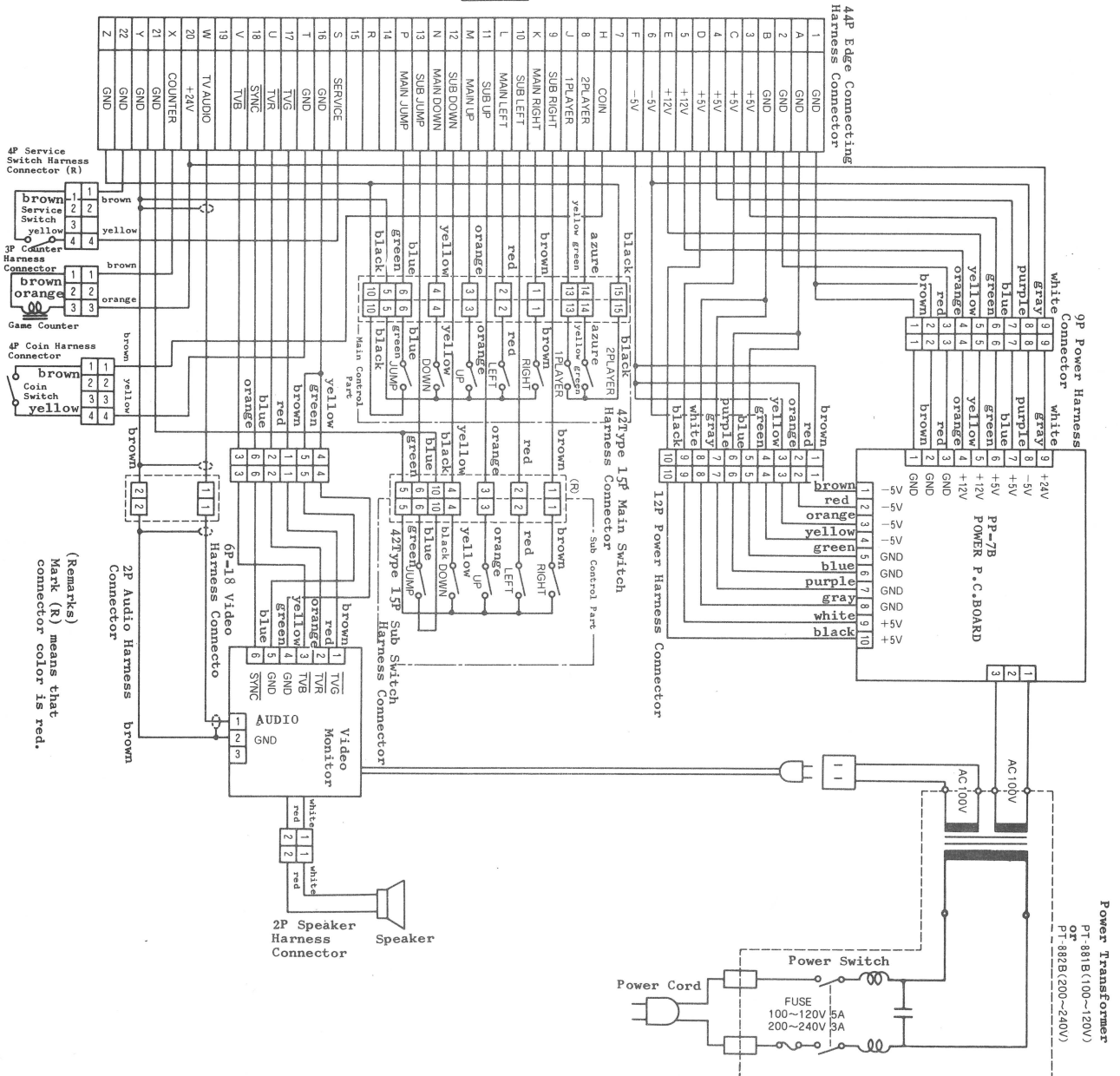
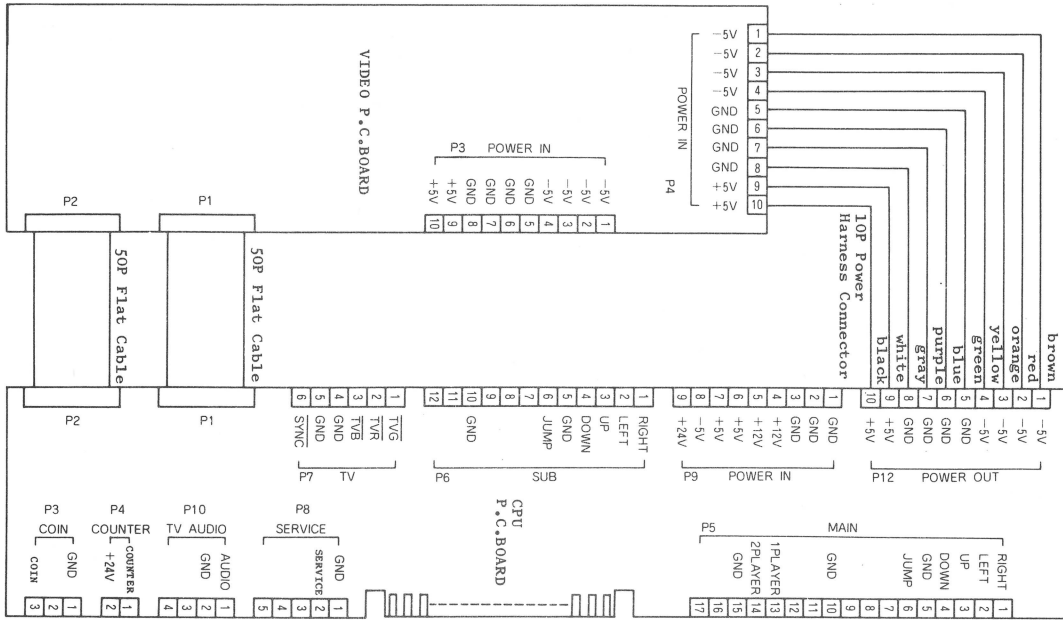
WIRING AND CONNECTION

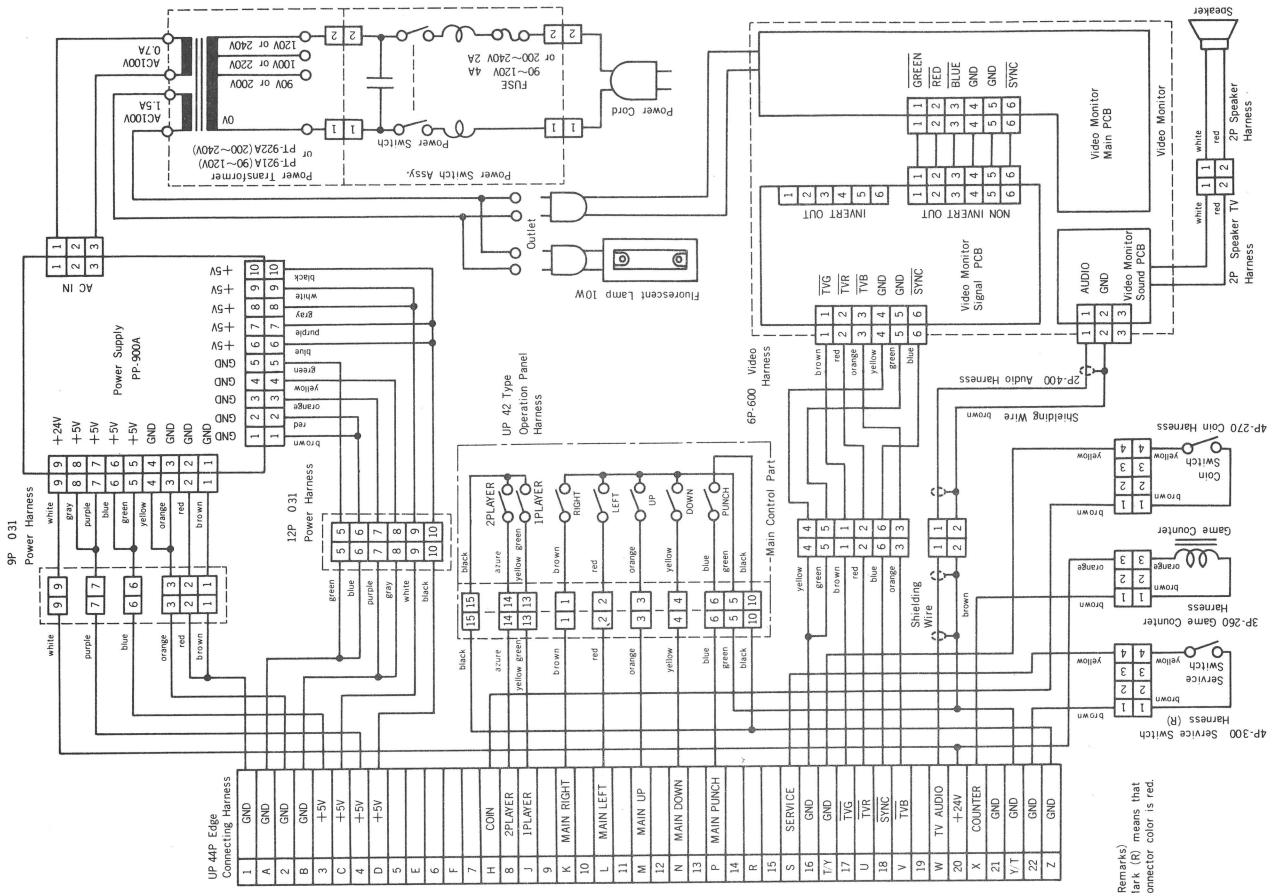


WIRING AND CONNECTION

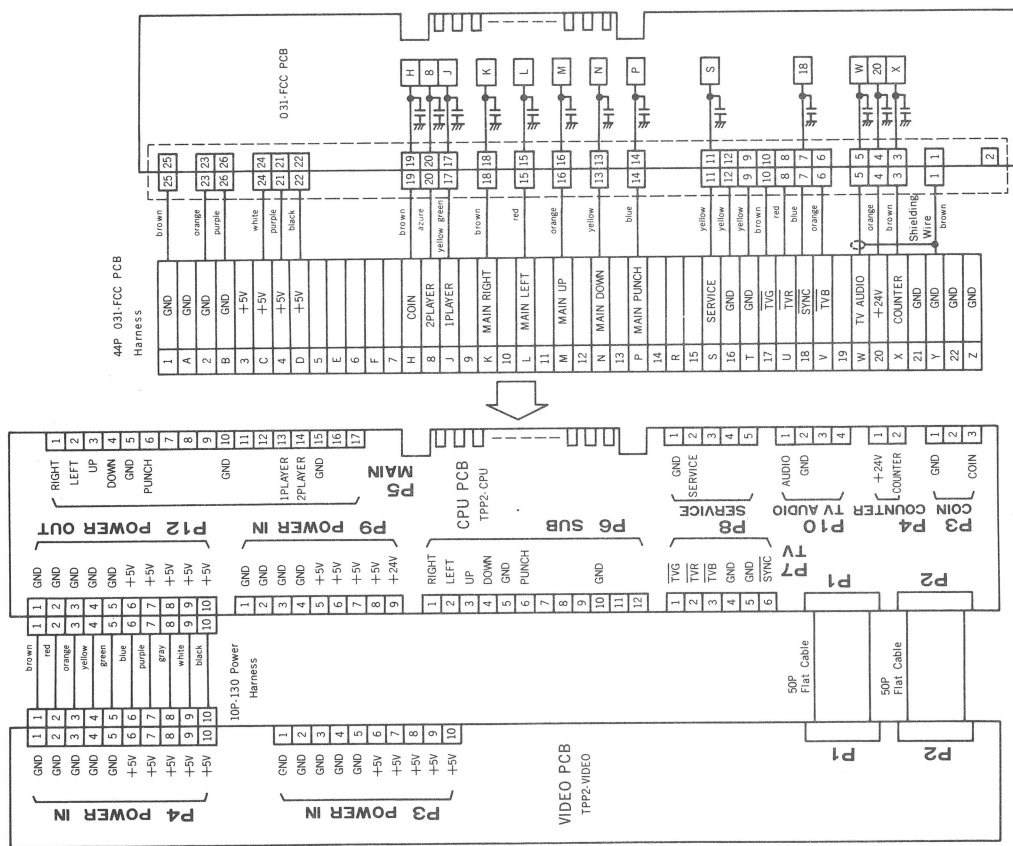




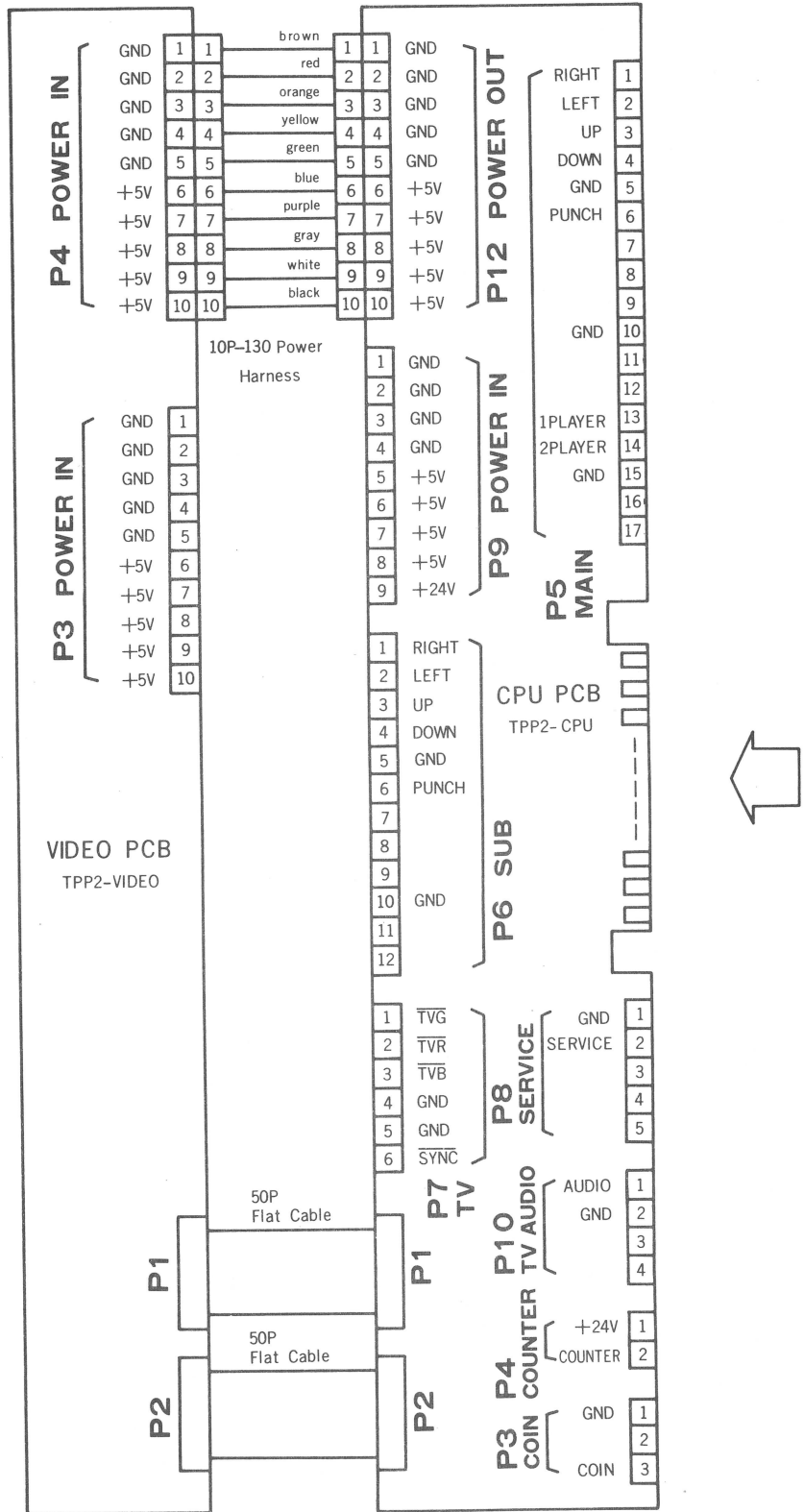




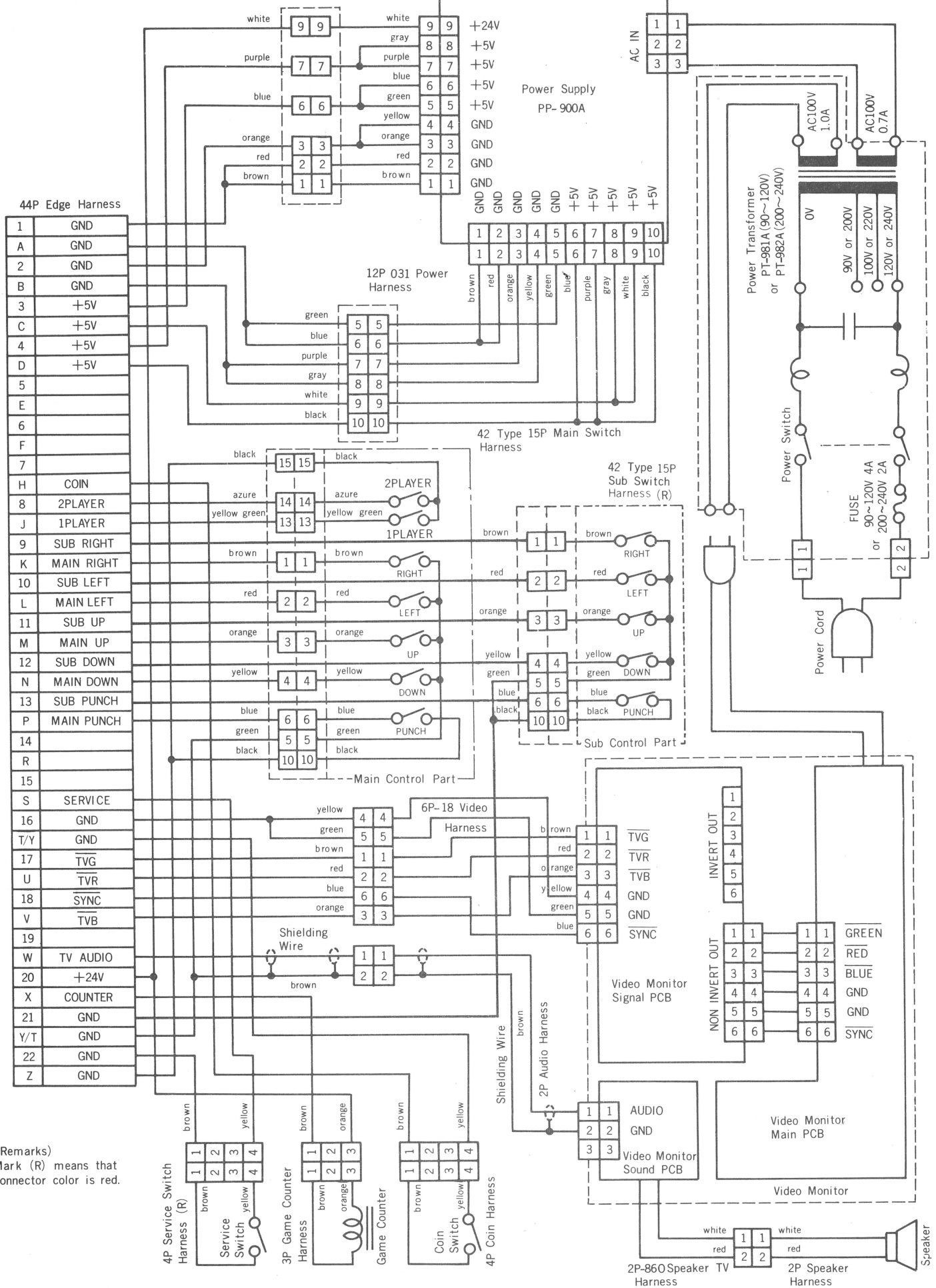
(Remarks)  
Mark (R) means that connector color is red.



# Wiring and Connection







(Remarks)  
Mark (R) means that connector color is red.

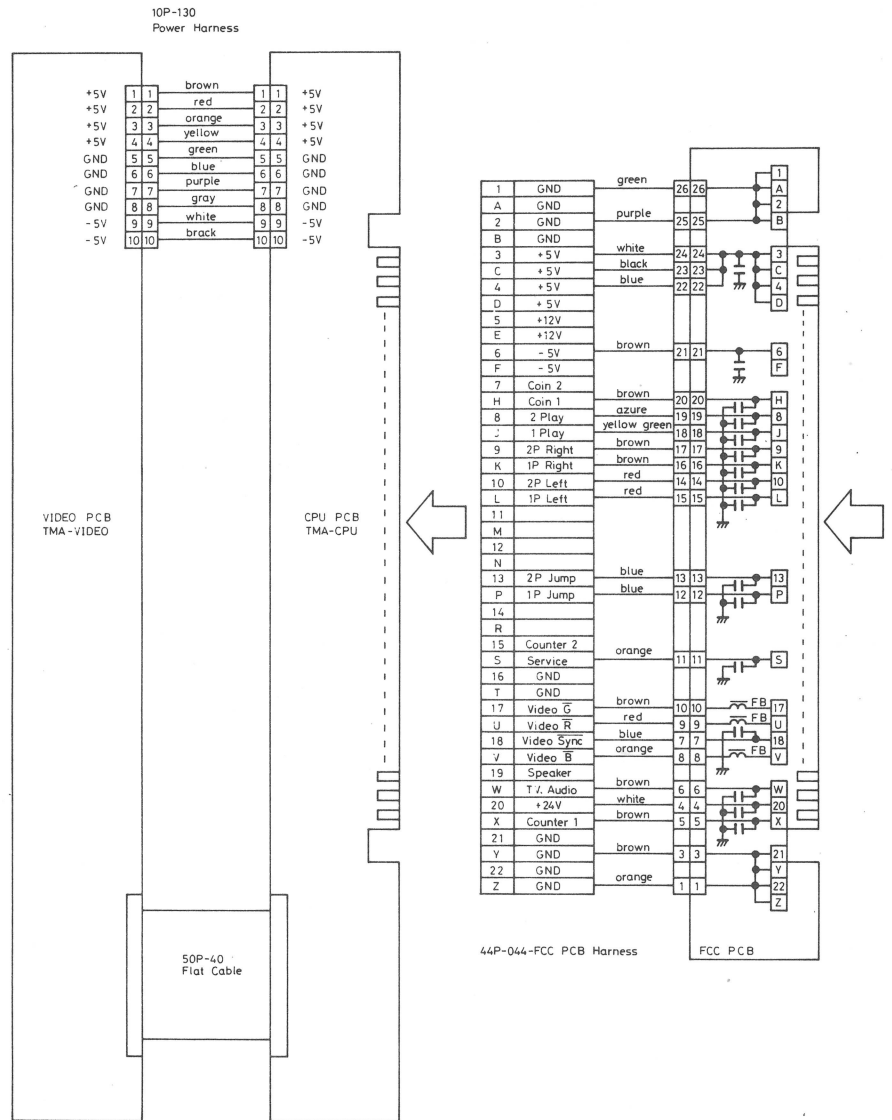
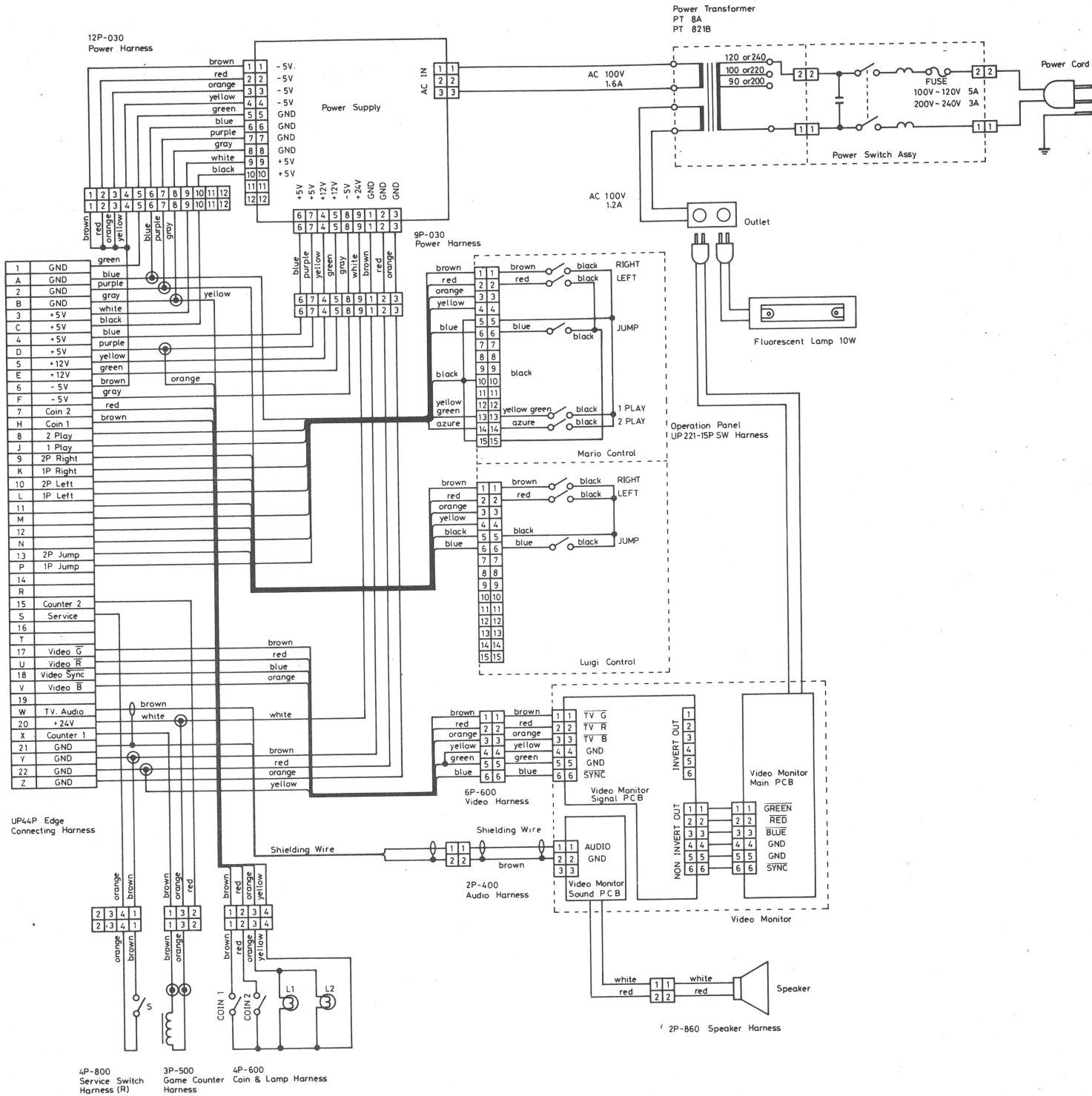
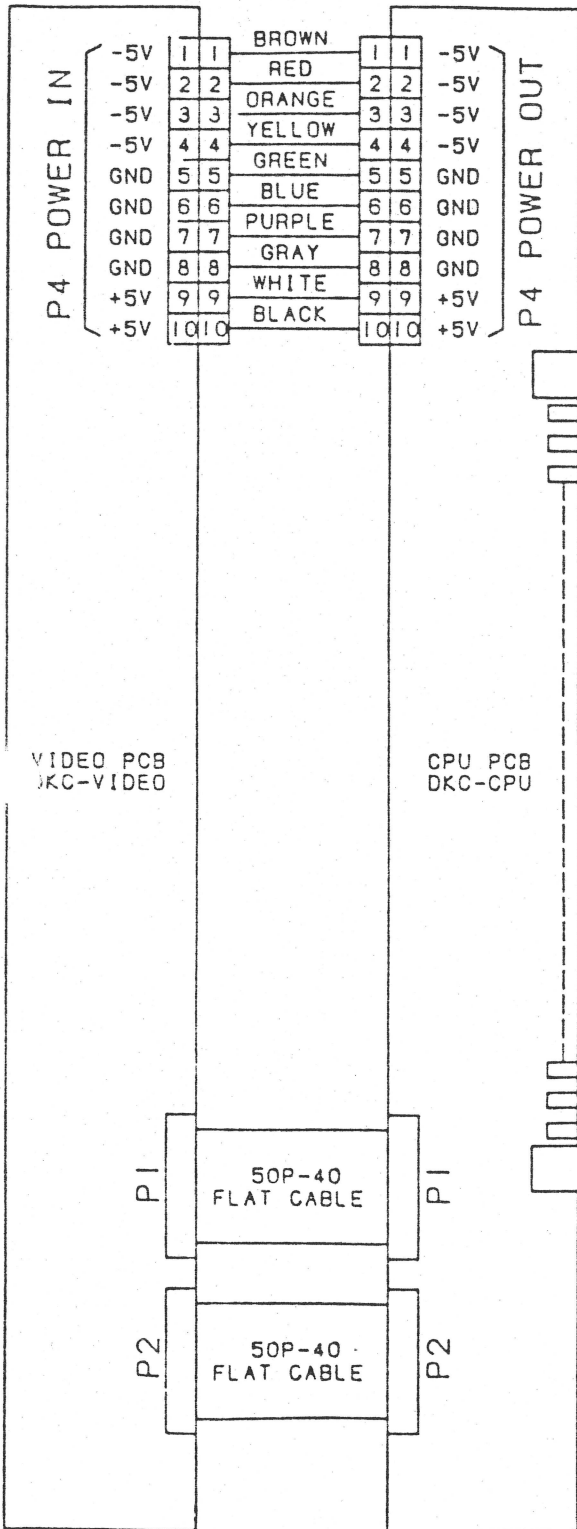


Fig 16  
Wiring and Connection



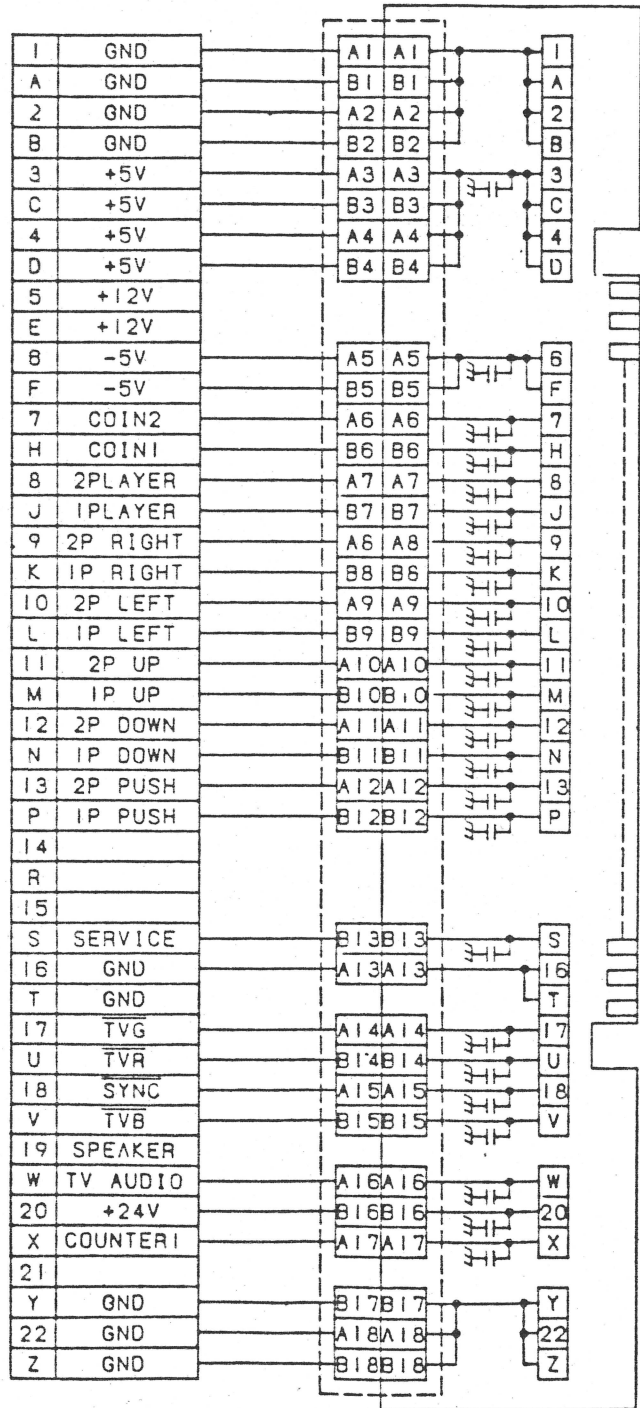
# Donkey Kong 3 Wiring Diagram (2 P.C. Bd. type)

10P-130  
POWER HARNESS



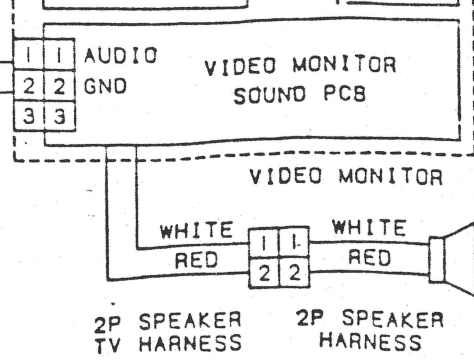
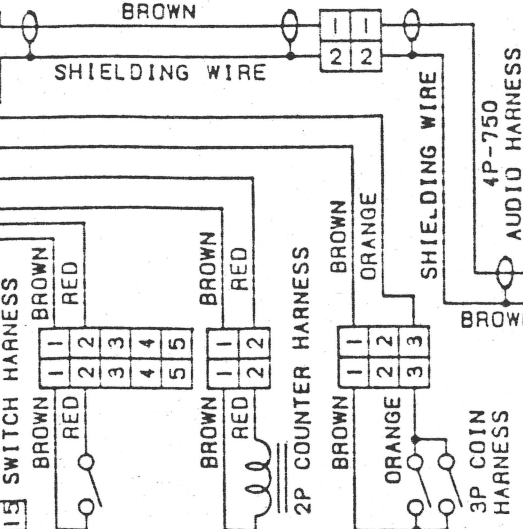
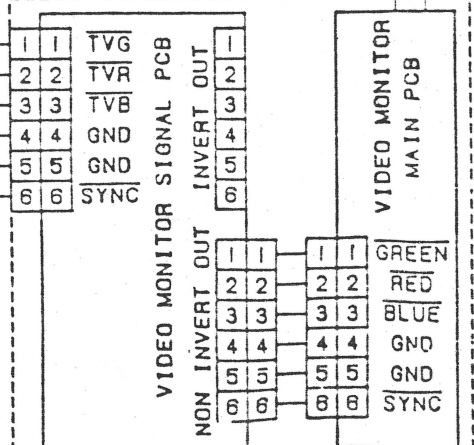
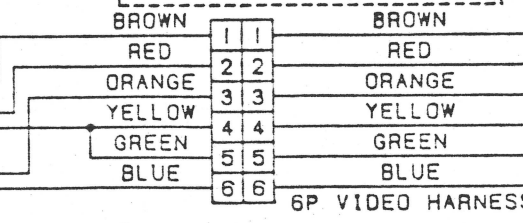
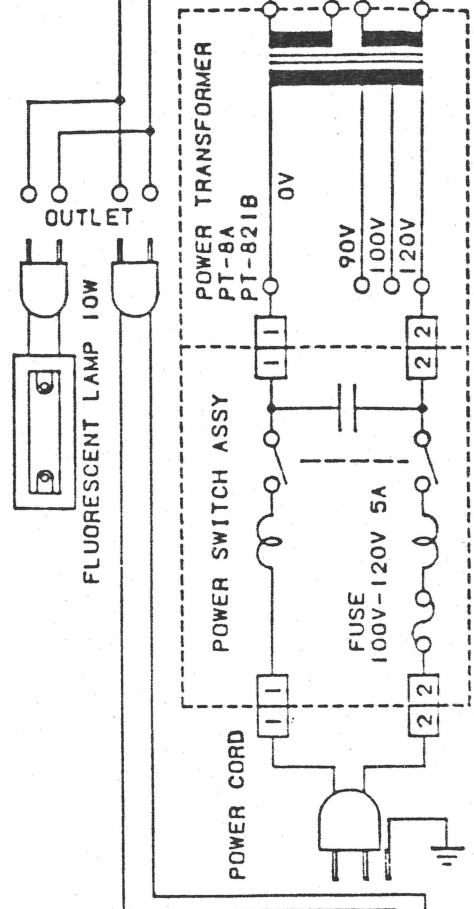
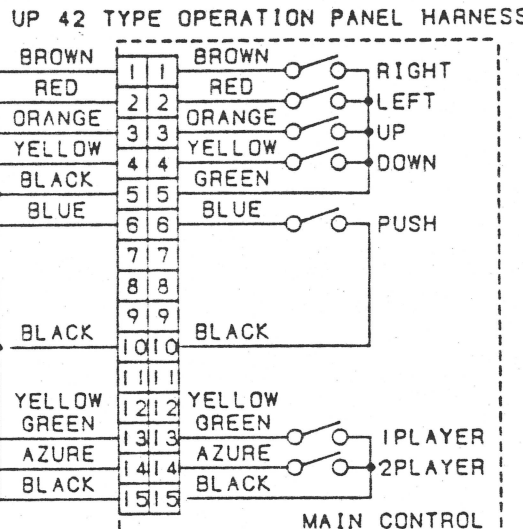
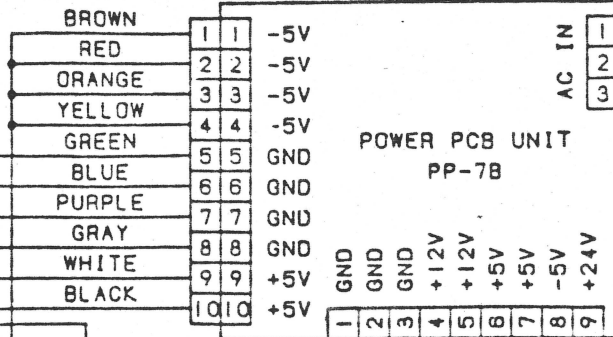
44P-051-FCC PCB HARNESS

051-01-FCC PCB

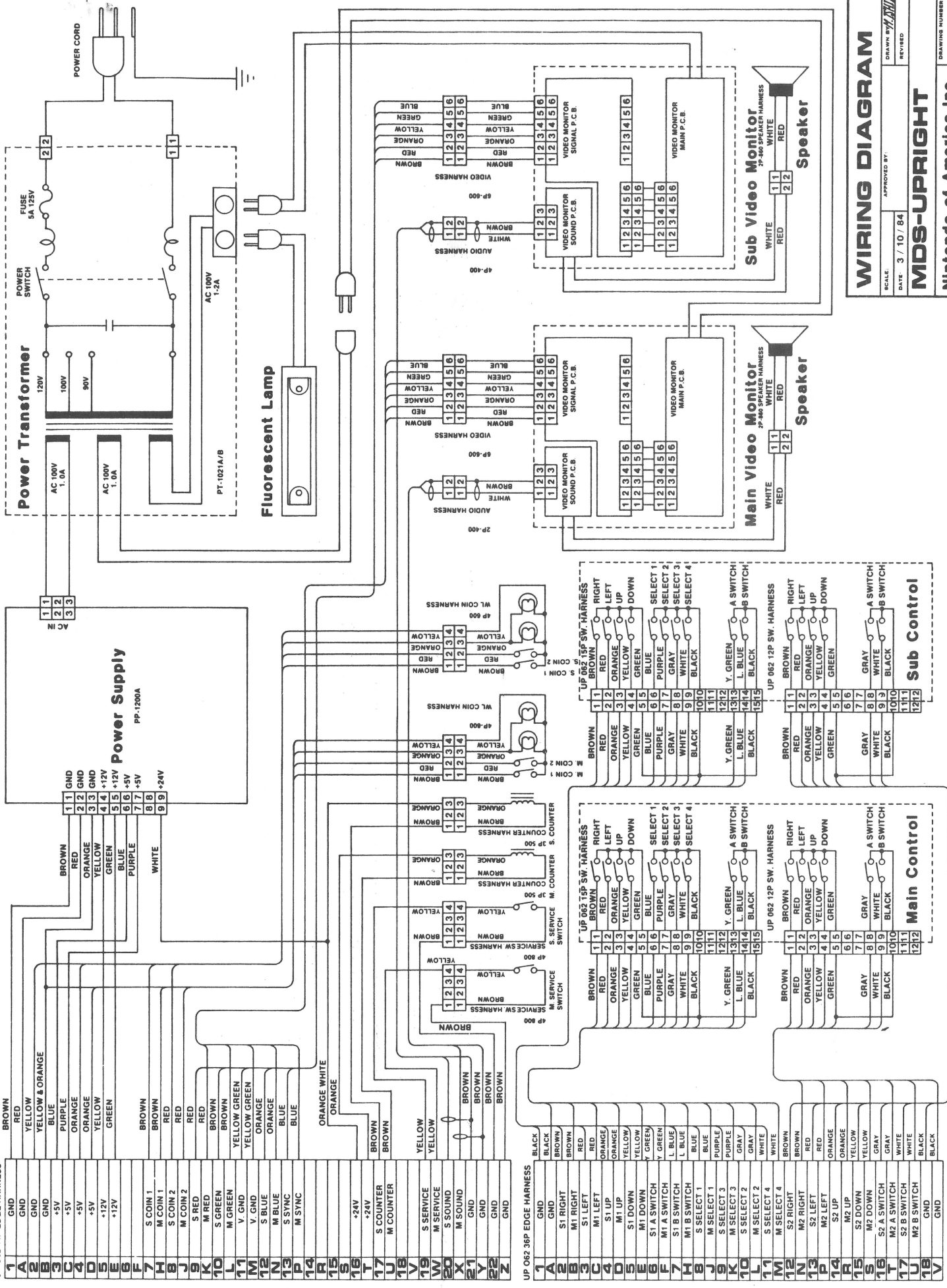


2-UP44P EDGE CONNECTING HARNESS

I	GND
A	GND
2	GND
B	GND
3	+5V
C	+5V
4	+5V
D	+5V
5	+12V
E	+12V
6	-5V
F	-5V
7	COIN2
H	COIN1
8	2PLAYER
J	1PLAYER
9	2P RIGHT
K	1P RIGHT
10	2P LEFT
L	1P LEFT
11	2P UP
M	1P UP
12	2P DOWN
N	1P DOWN
13	2P PUSH
P	1P PUSH
14	
R	
15	
S	SERVICE
16	GND
T	GND
17	TVG
U	TVR
18	SYNC
V	TVB
19	SPEAKER
W	TV AUDIO
20	+24V
X	COUNTER1
21	GND
Y	GND
22	GND
Z	GND



**WIRING DIAGRAM**  
 SCALE: 3/10/84  
 DATE: 3/10/84  
 APPROVED BY: [Signature]  
 DRAWN BY: [Signature]  
 REVISED: [ ]  
**MDS-UPRIGHT**  
 Nintendo of America Inc.  
 DRAWING NUMBER



UP 062 44P HARNESS

1	GND
2	GND
3	GND
4	YELLOW & ORANGE
5	BLUE
6	PURPLE
7	ORANGE
8	ORANGE
9	YELLOW
10	GREEN
11	GREEN
12	BLUE
13	PURPLE
14	WHITE
15	BROWN
16	BROWN
17	RED
18	RED
19	RED
20	BROWN
21	BROWN
22	BROWN
23	BROWN
24	BROWN
25	BROWN
26	BROWN
27	BROWN
28	BROWN
29	BROWN
30	BROWN
31	BROWN
32	BROWN
33	BROWN
34	BROWN
35	BROWN
36	BROWN
37	BROWN
38	BROWN
39	BROWN
40	BROWN
41	BROWN
42	BROWN
43	BROWN
44	BROWN
45	BROWN
46	BROWN
47	BROWN
48	BROWN
49	BROWN
50	BROWN
51	BROWN
52	BROWN
53	BROWN
54	BROWN
55	BROWN
56	BROWN
57	BROWN
58	BROWN
59	BROWN
60	BROWN
61	BROWN
62	BROWN
63	BROWN
64	BROWN
65	BROWN
66	BROWN
67	BROWN
68	BROWN
69	BROWN
70	BROWN
71	BROWN
72	BROWN
73	BROWN
74	BROWN
75	BROWN
76	BROWN
77	BROWN
78	BROWN
79	BROWN
80	BROWN
81	BROWN
82	BROWN
83	BROWN
84	BROWN
85	BROWN
86	BROWN
87	BROWN
88	BROWN
89	BROWN
90	BROWN
91	BROWN
92	BROWN
93	BROWN
94	BROWN
95	BROWN
96	BROWN
97	BROWN
98	BROWN
99	BROWN
100	BROWN
101	BROWN
102	BROWN
103	BROWN
104	BROWN
105	BROWN
106	BROWN
107	BROWN
108	BROWN
109	BROWN
110	BROWN
111	BROWN
112	BROWN
113	BROWN
114	BROWN
115	BROWN
116	BROWN
117	BROWN
118	BROWN
119	BROWN
120	BROWN
121	BROWN
122	BROWN
123	BROWN
124	BROWN
125	BROWN
126	BROWN
127	BROWN
128	BROWN
129	BROWN
130	BROWN
131	BROWN
132	BROWN
133	BROWN
134	BROWN
135	BROWN
136	BROWN
137	BROWN
138	BROWN
139	BROWN
140	BROWN
141	BROWN
142	BROWN
143	BROWN
144	BROWN
145	BROWN
146	BROWN
147	BROWN
148	BROWN
149	BROWN
150	BROWN
151	BROWN
152	BROWN
153	BROWN
154	BROWN
155	BROWN
156	BROWN
157	BROWN
158	BROWN
159	BROWN
160	BROWN
161	BROWN
162	BROWN
163	BROWN
164	BROWN
165	BROWN
166	BROWN
167	BROWN
168	BROWN
169	BROWN
170	BROWN
171	BROWN
172	BROWN
173	BROWN
174	BROWN
175	BROWN
176	BROWN
177	BROWN
178	BROWN
179	BROWN
180	BROWN
181	BROWN
182	BROWN
183	BROWN
184	BROWN
185	BROWN
186	BROWN
187	BROWN
188	BROWN
189	BROWN
190	BROWN
191	BROWN
192	BROWN
193	BROWN
194	BROWN
195	BROWN
196	BROWN
197	BROWN
198	BROWN
199	BROWN
200	BROWN

UP 062 36P HARNESS

1	GND
2	GND
3	GND
4	GND
5	GND
6	GND
7	GND
8	GND
9	GND
10	GND
11	GND
12	GND
13	GND
14	GND
15	GND
16	GND
17	GND
18	GND
19	GND
20	GND
21	GND
22	GND
23	GND
24	GND
25	GND
26	GND
27	GND
28	GND
29	GND
30	GND
31	GND
32	GND
33	GND
34	GND
35	GND
36	GND

UP 062 12P SW. HARNESS

1	BROWN
2	RED
3	ORANGE
4	YELLOW
5	GREEN
6	BLUE
7	PURPLE
8	GRAY
9	WHITE
10	BLACK
11	Y. GREEN
12	L. BLUE
13	BLACK
14	BLACK
15	BLACK

UP 062 12P SW. HARNESS

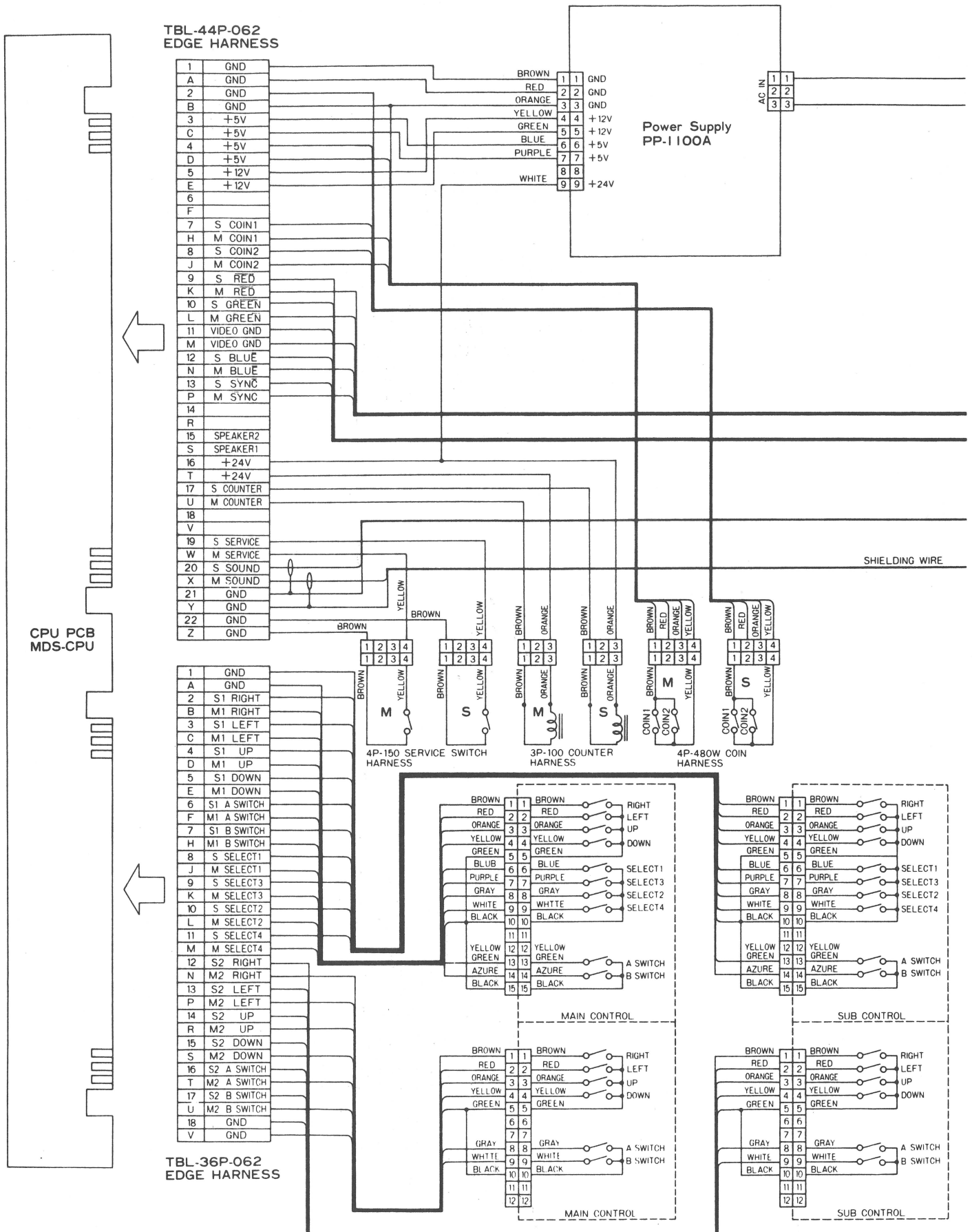
1	BROWN
2	RED
3	ORANGE
4	YELLOW
5	GREEN
6	BLUE
7	PURPLE
8	GRAY
9	WHITE
10	BLACK
11	Y. GREEN
12	L. BLUE
13	BLACK
14	BLACK
15	BLACK

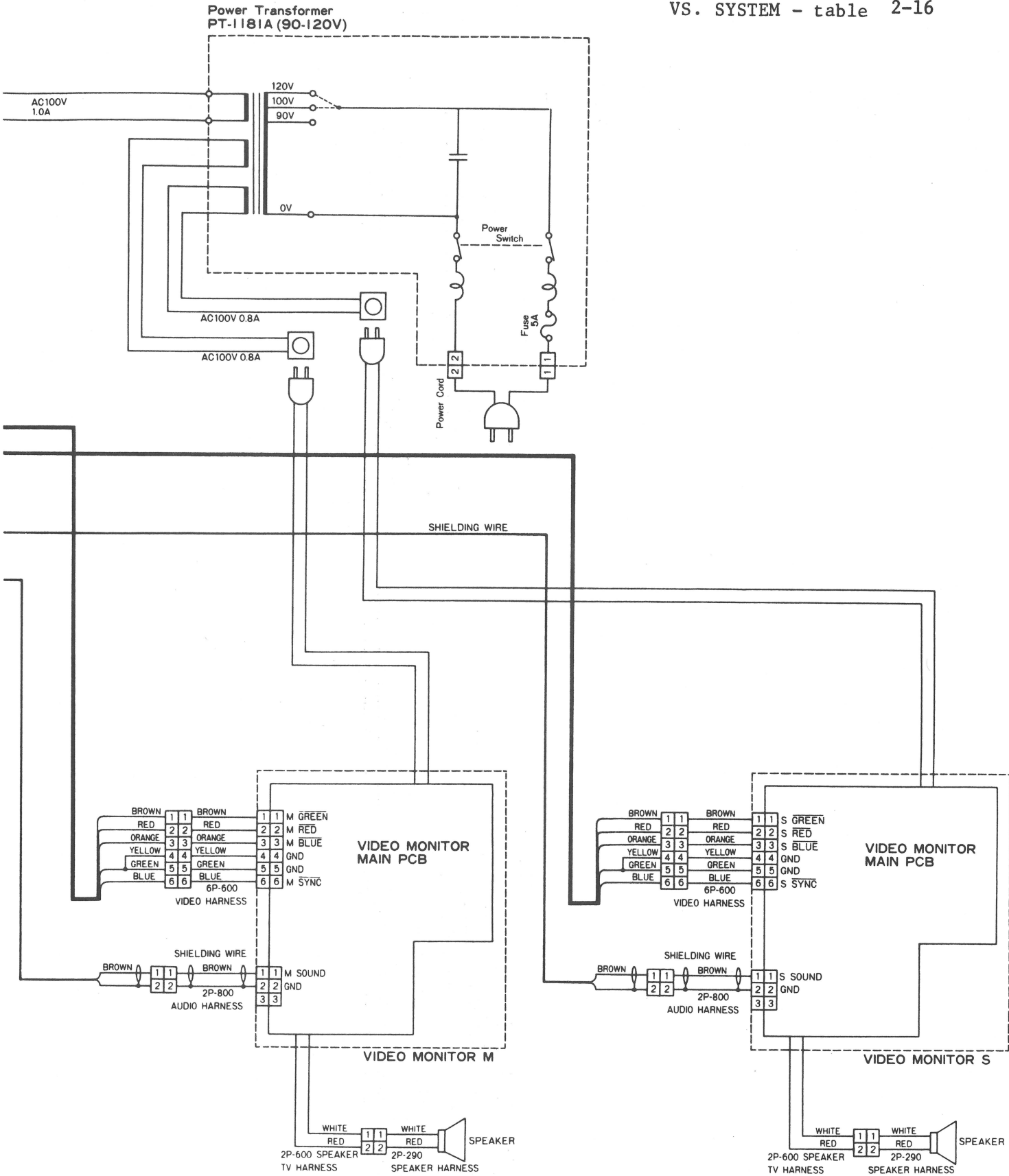
UP 062 12P SW. HARNESS

1	BROWN
2	RED
3	ORANGE
4	YELLOW
5	GREEN
6	BLUE
7	PURPLE
8	GRAY
9	WHITE
10	BLACK
11	Y. GREEN
12	L. BLUE
13	BLACK
14	BLACK
15	BLACK

# Wiring and Connection

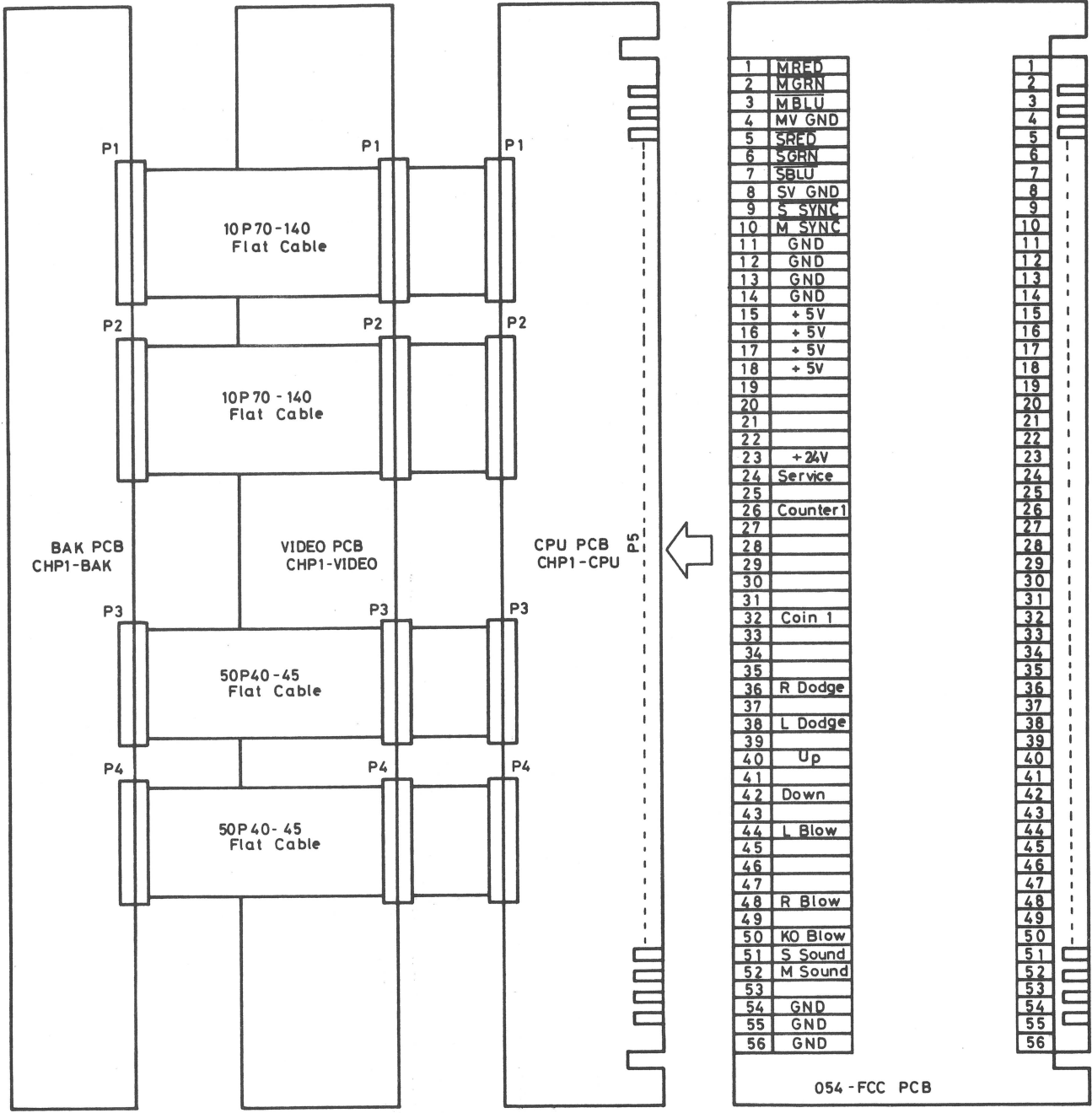
VS. SYSTEM - table 2-15

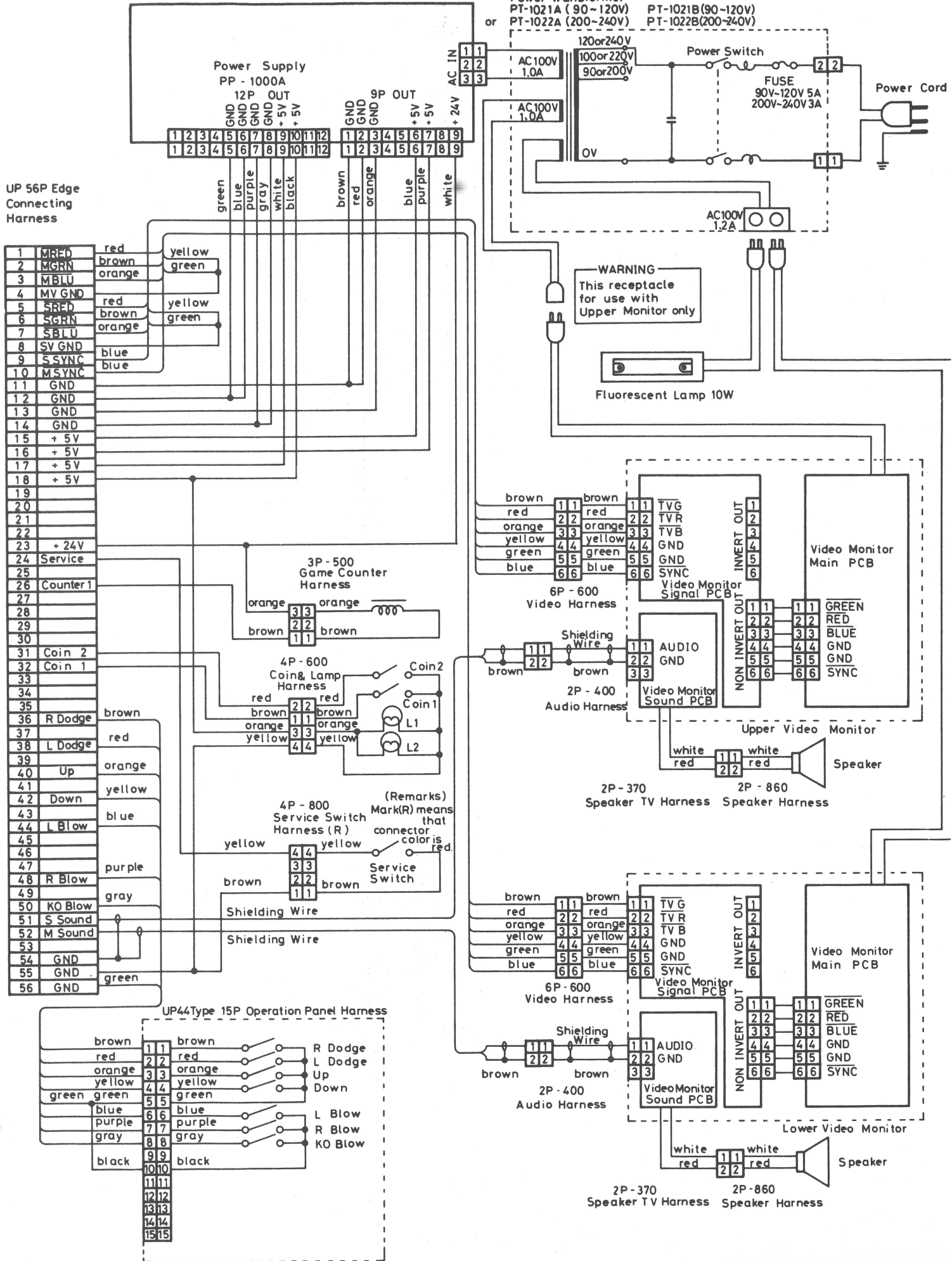






# Wiring and Connection





NOTES