

DONKEY KONG

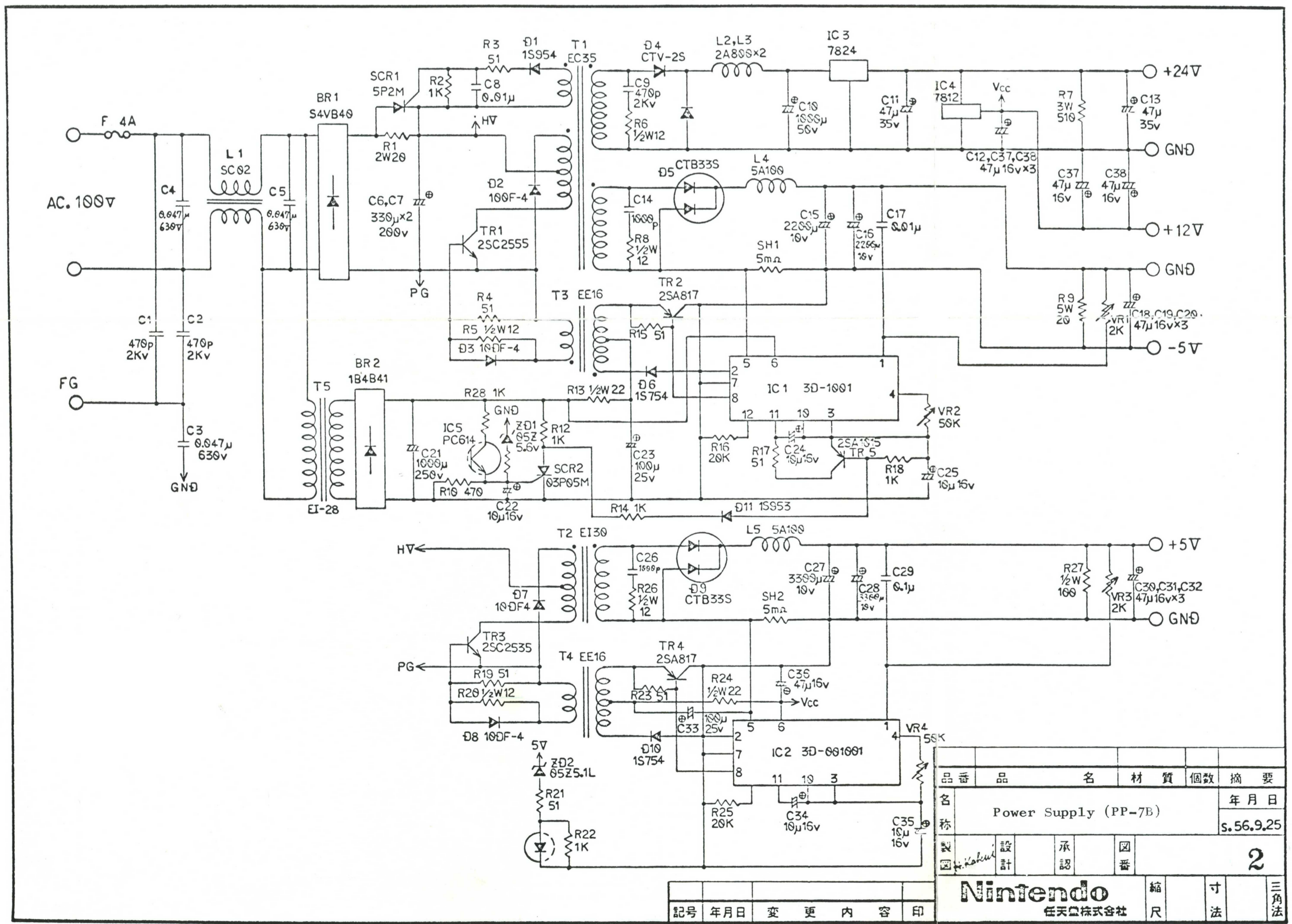
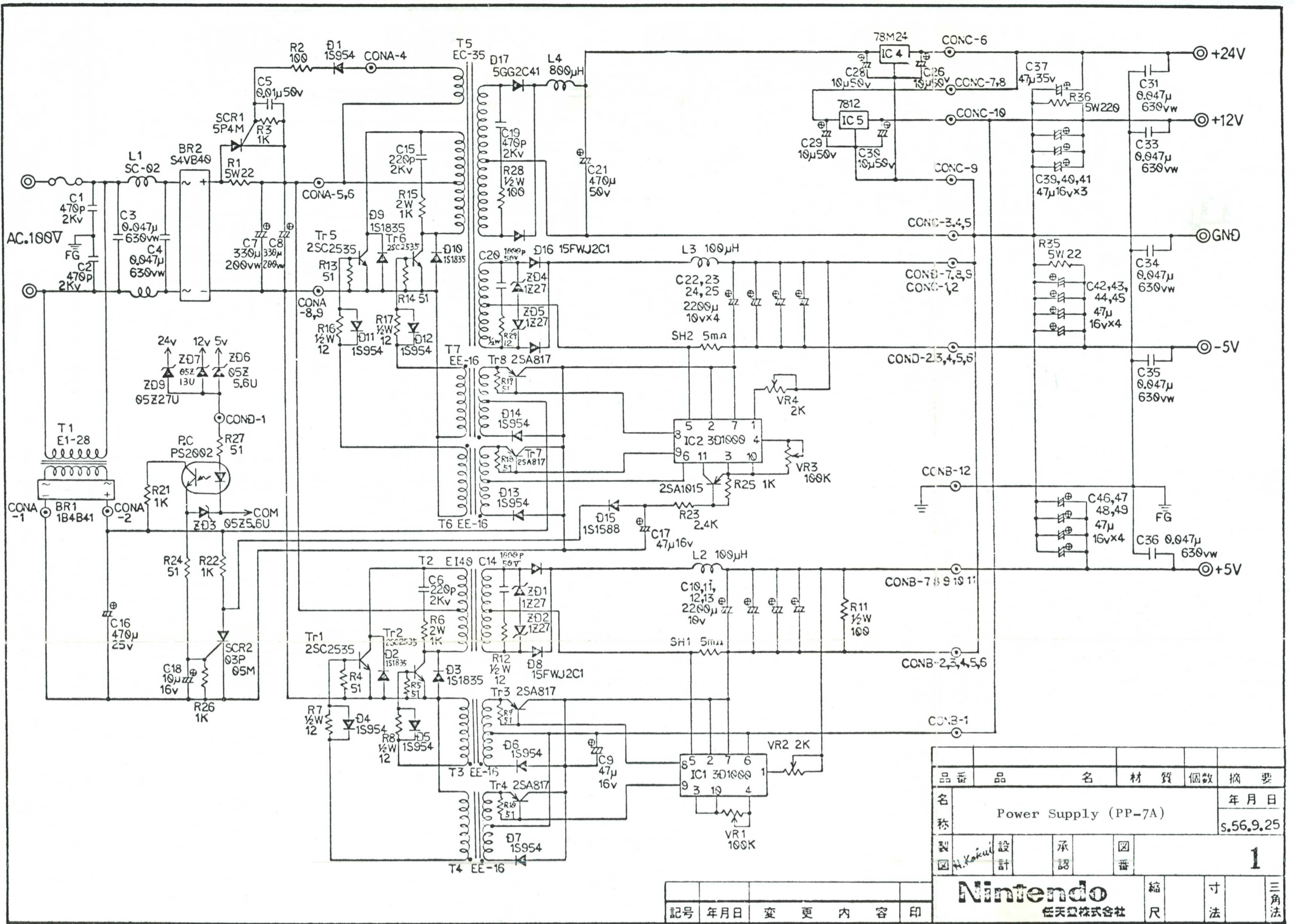
SCHEMATICS

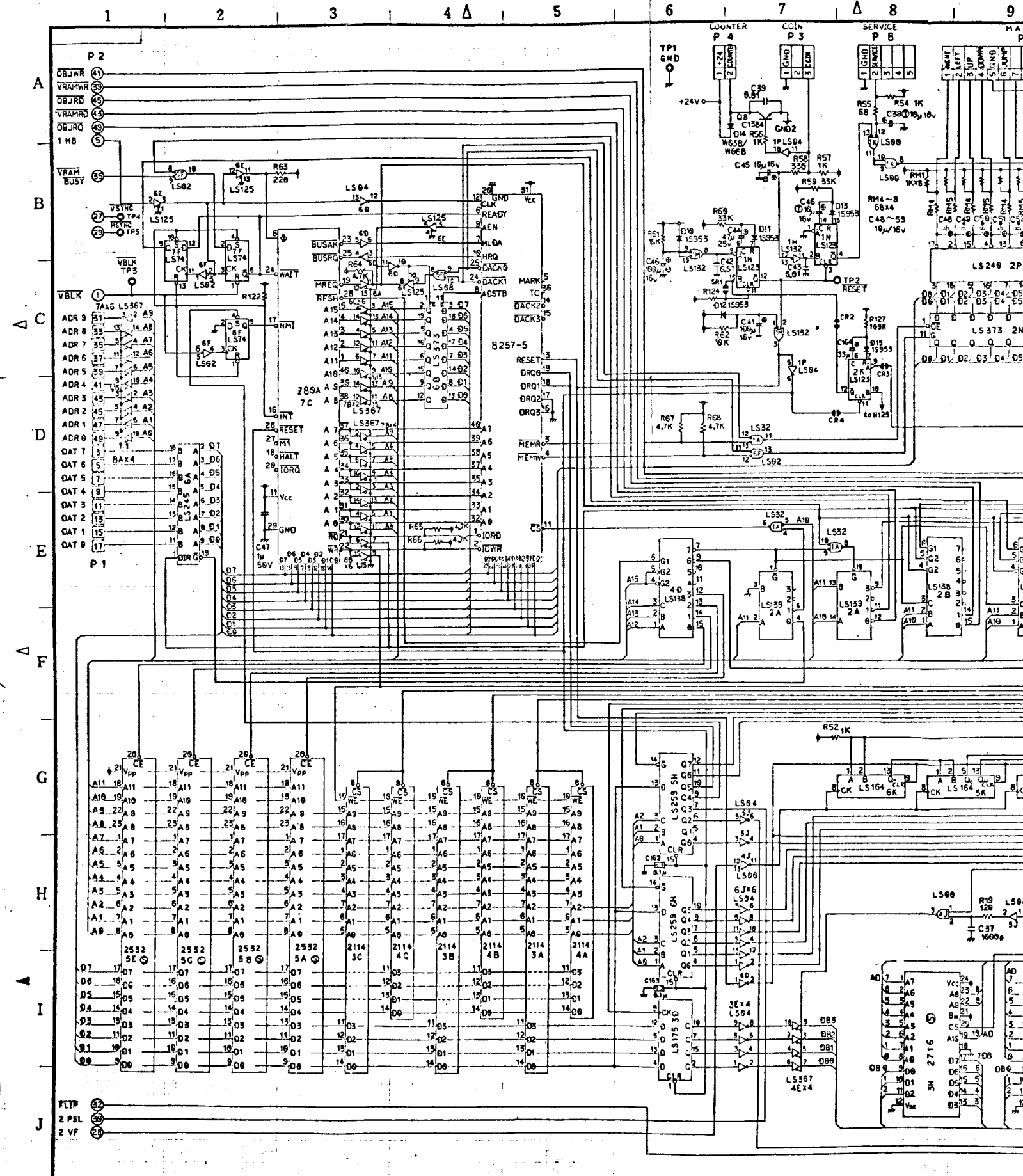
Nintendo

TKG-4

C O N T E N T S

	Page
1. Power Supply P.C.Board PP-7A	1
2. Power Supply P.C.Board PP-7B	2
3. TKG4-14-CPU	3
4. TKG4-14-VIDEO	4
5. Video Monitor No.30 "20-EZV"	5
6. Video Monitor No.31 "20-EZV(R-B)"	6





Note 1 EDGE CONNECTOR (PIN ARRANGEMENT)

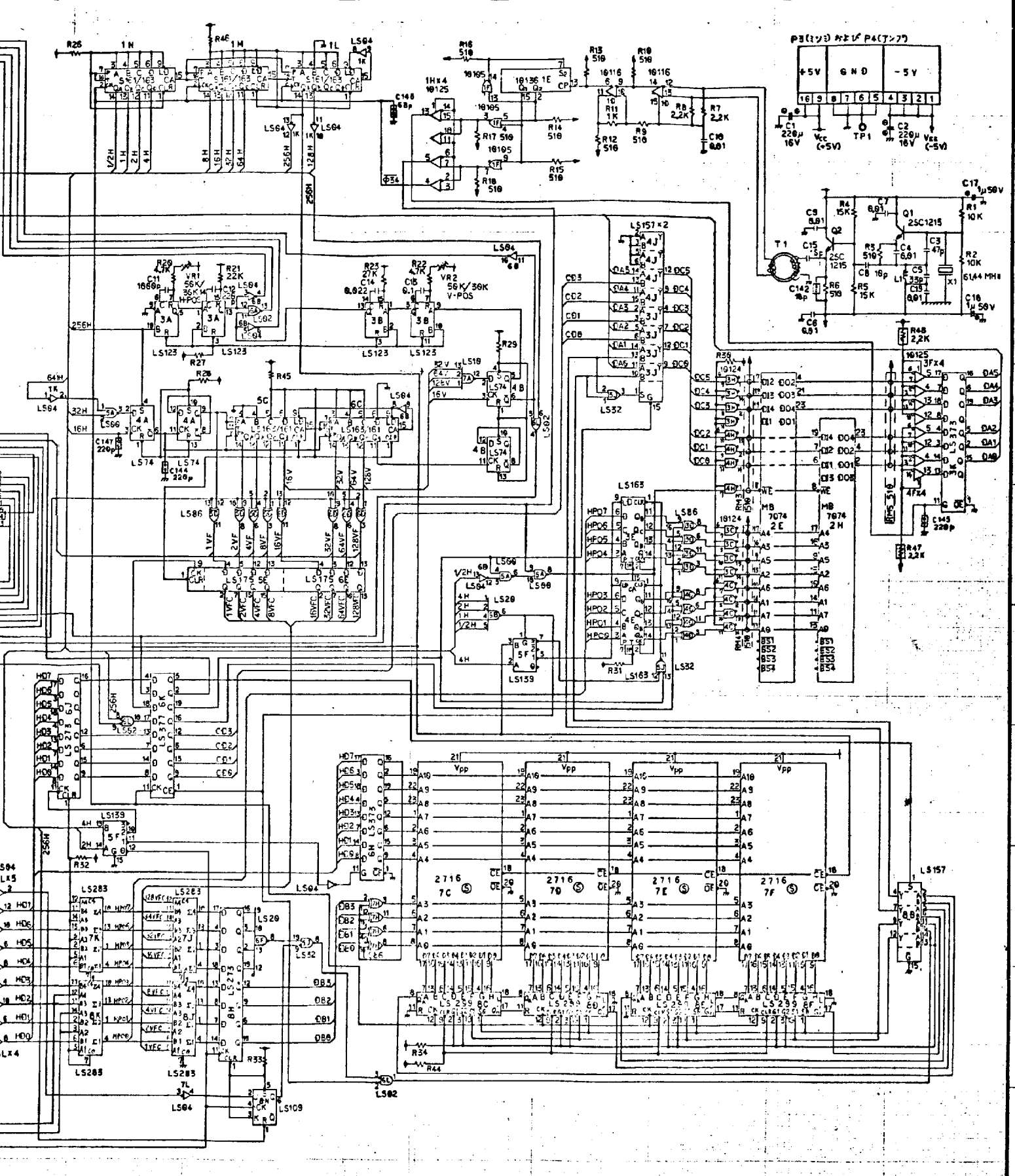
1	GND	2	GND	3	+5V	4	+5V	5	+12V	6	+12V	7	2 PLAY	8	2 PLAY	9	2 PLAY	10	2 PLAY	11	2 PLAY	12	2 PLAY	13	2 PLAY	14	2 PLAY	15	2 PLAY	16	2 PLAY	17	2 PLAY	18	2 PLAY	19	2 PLAY	20	2 PLAY
---	-----	---	-----	---	-----	---	-----	---	------	---	------	---	--------	---	--------	---	--------	----	--------	----	--------	----	--------	----	--------	----	--------	----	--------	----	--------	----	--------	----	--------	----	--------	----	--------

1	GND	2	GND	3	+5V	4	+5V	5	+12V	6	+12V	7	2 PLAY	8	2 PLAY	9	2 PLAY	10	2 PLAY	11	2 PLAY	12	2 PLAY	13	2 PLAY	14	2 PLAY	15	2 PLAY	16	2 PLAY	17	2 PLAY	18	2 PLAY	19	2 PLAY	20	2 PLAY
---	-----	---	-----	---	-----	---	-----	---	------	---	------	---	--------	---	--------	---	--------	----	--------	----	--------	----	--------	----	--------	----	--------	----	--------	----	--------	----	--------	----	--------	----	--------	----	--------

1P ; MAIN SIDE
 2P ; SUB SIDE
 1 PLAY: 1 PLAYER SWITCH
 2 PLAY: 2 PLAYER SWITCH

P12 PIN ARRANGEMENT

1	-5V	2	GND	3	+5V	4	GND	5	GND	6	GND	7	GND	8	GND	9	GND	10	GND
---	-----	---	-----	---	-----	---	-----	---	-----	---	-----	---	-----	---	-----	---	-----	----	-----



品名	数量	種類	備考
TKG4-14-VIDEO			作成年月日
			5.56.12.1
任天堂株式会社 Nintendo Co., Ltd.			4
			単位 三角法

20-EZV(R-B)

- NOTE
- Every resistor without value descriptions are 1/4W
 - Bearable voltage of capacitors are 50V
 - Diodes without descriptions of variation are 1S1555 or 1S2706 or 1S2473 or DS442

Resistors

Ex. : 2 F P J Rank of Accuracy(*List 1)
 Figure Variations(*List 2)
 Value(W)

List 1.

Mark	F	G	J	K
Rank	+1%	+2%	+5%	+10%

List 2.

Mark	F	N	R	C	Y
Variation	Carbon	Metal	Metal Oxide	Solid	Coil Winding

List 3.

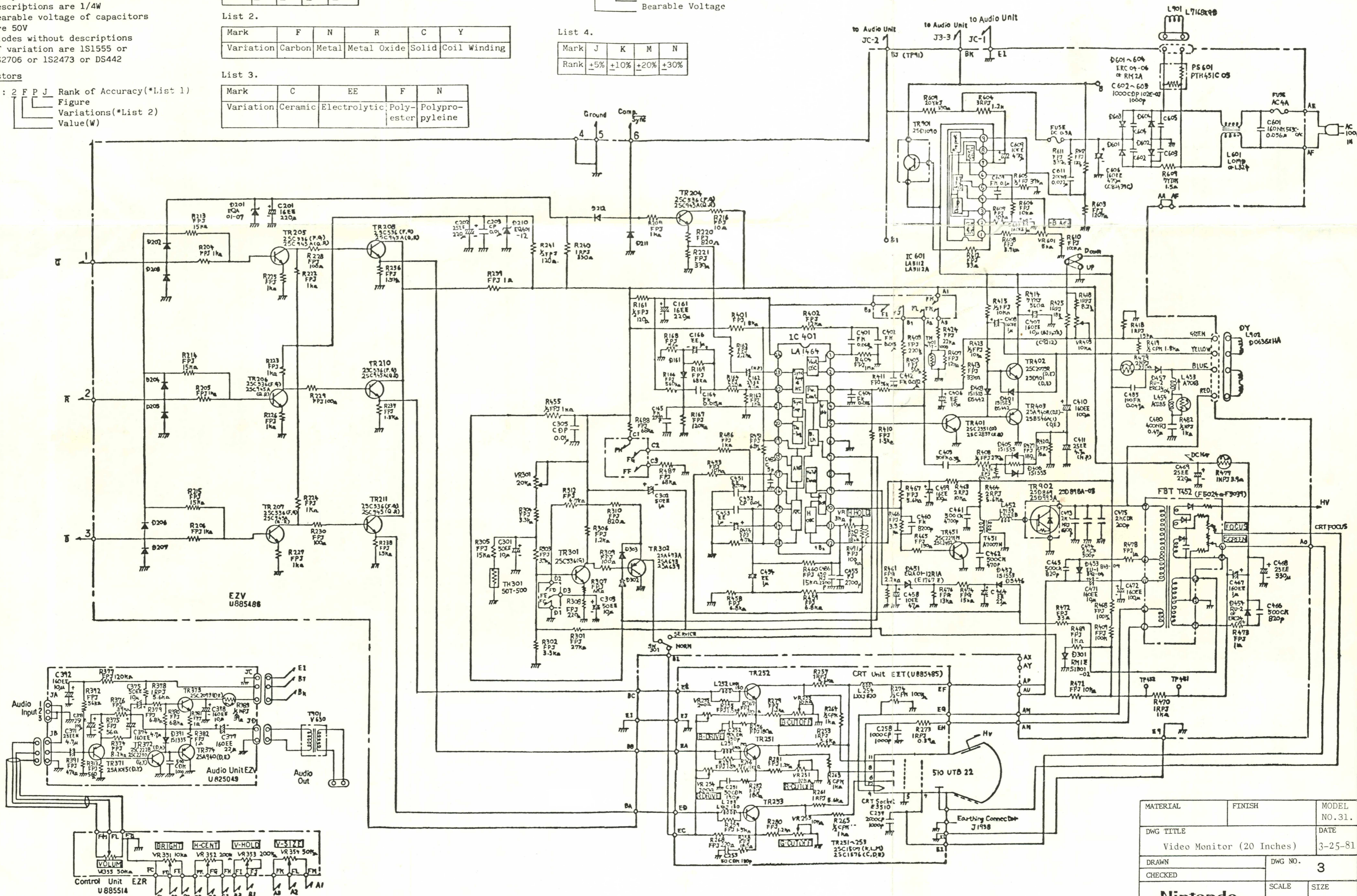
Mark	C	EE	F	N
Variation	Ceramic	Electrolytic	Poly-ester	Polypropylene

Capacitor

Ex. : 160 EE M- Rank of Accuracy (List 4)
 Variation(List 3)
 Bearable Voltage

List 4.

Mark	J	K	M	N
Rank	+5%	+10%	+20%	+30%



MATERIAL	FINISH	MODEL NO. 31.
DWG TITLE	DATE	3-25-81
Video Monitor (20 Inches)		
DRAWN	DWG NO.	3
CHECKED	SCALE	SIZE
Nintendo		