

TRAMPOLINE



**SERVICE INSTRUCT
AND PARTS CATA**



TAITO CORPORA

Name of Part
(See Figs. 1 and 2)

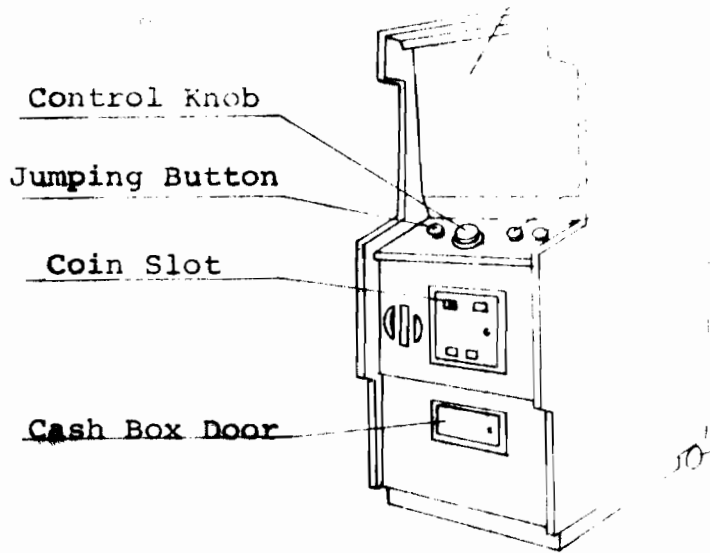


Fig. 1

Bar

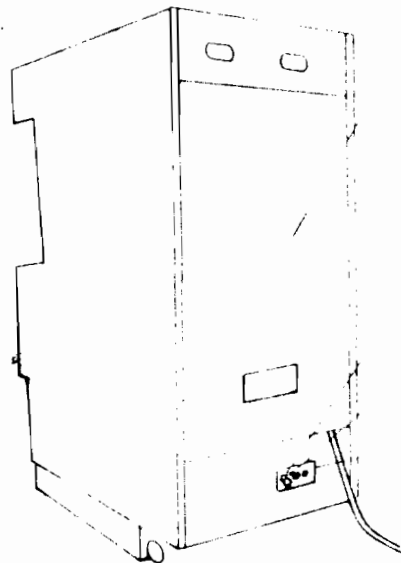
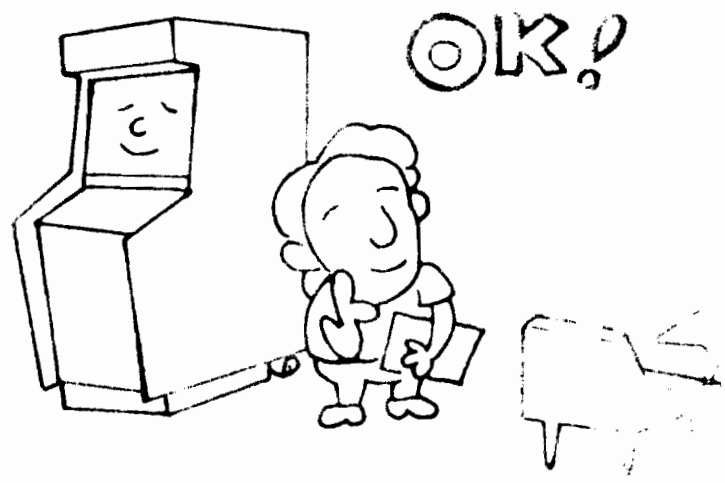


Fig. 2

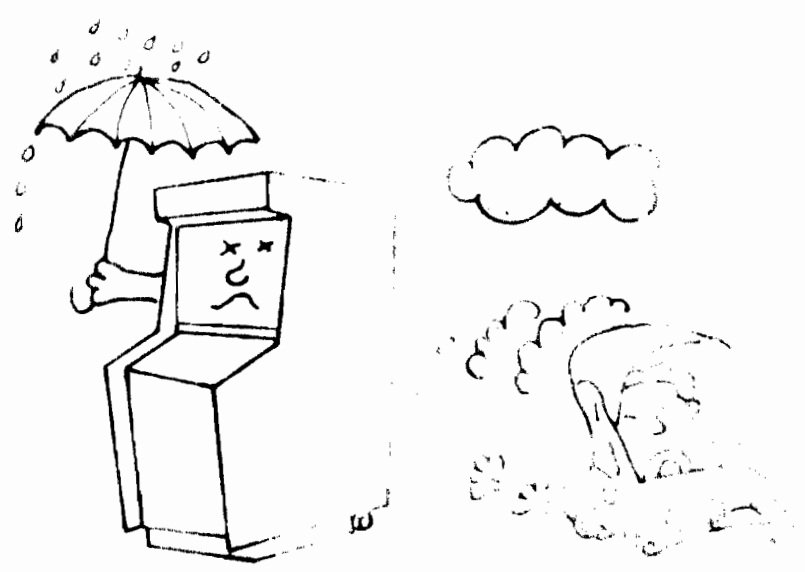
Trampoline

- Although handling and transportation of the product is fragile.
- Trampoline TRAMPOLINE is for indoor use.

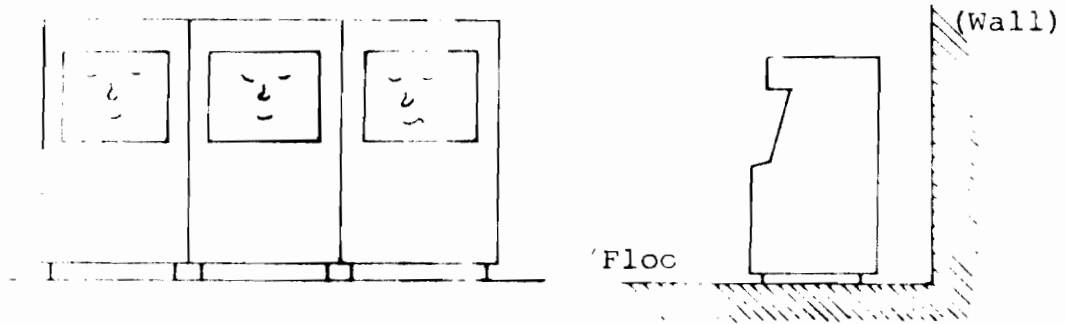
• Install the machine indoors only.



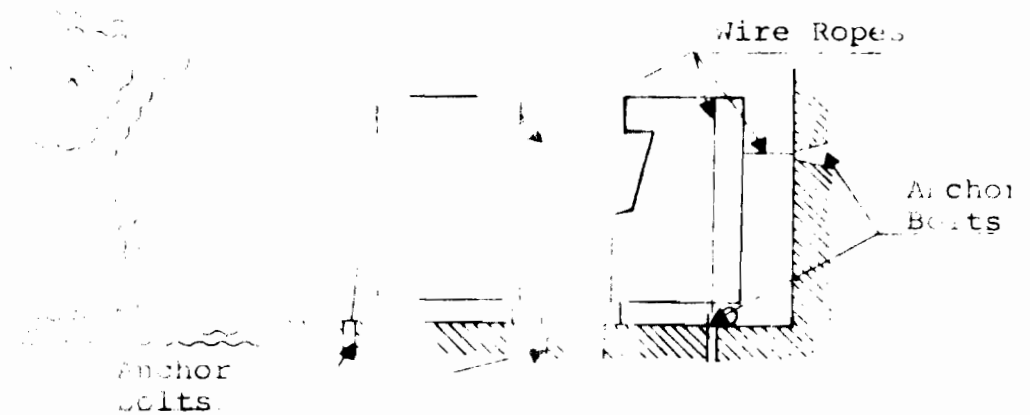
Install the machine indoors.



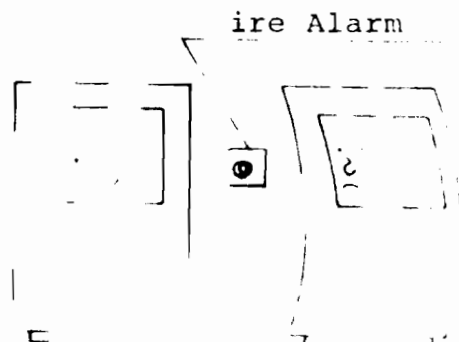
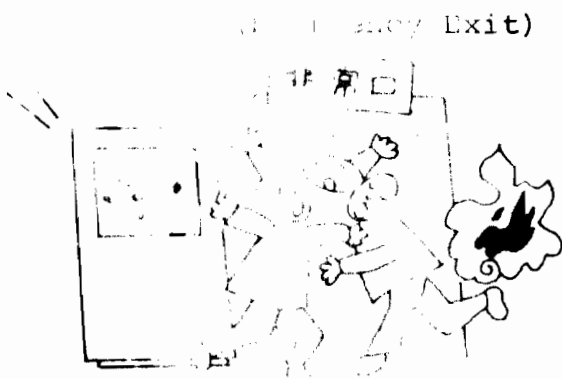
2. Place the machine on flat-surfaced floor and provide sufficient space in front of the machine.



In case of installation in location with vibration, fix the machine by the use of anchor bolts and wire ropes as shown below.



Do not install the machine in dangerous places viewed from the angle of disaster prevention.



- **Do not install the machine in location with exposure to direct sunlight or excessive heat in order to prevent the unit from rising internal temperature. Also, do not install the machine in location with being damp or dusty.**



- **Install the machine in location so that no children can enter the place between the backside of the machine and the wall of the location.**
- **Ensure all connections to the PCB's are secure.**
- **Never fail to connect the ground terminal.**
- **Insert the power plug into a proper outlet and turn the power switch on.**

4. Note and Warning

- ° One or partial picture may appear on the screen when the machine is first switched on. This is typical of solid-state circuitry and will correct itself automatically when the first play is started.

Warning:

- ° The TRAMPOLINE uses a CPU and the latest solid-state technology for long life. However, as with sophisticated electronic equipment, certain precautions must be observed to avoid damage.
 - 1. Do not attempt to service with ordinary testing equipment since the internal voltage of the equipment may cause damage to the circuitry.
 - 2. Do not touch or disconnect any of the solid-state devices while the power is on.

4. Routine Maintenance

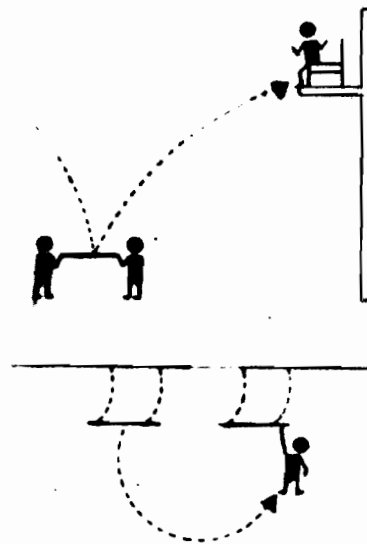
- ° Owing to the solid-state electronic circuitry, this machine should require very little maintenance and only occasional adjustments, however, it is necessary to take measures to insure its daily safety.

5. Playing Instructions

- One or two players.
- Insert coin(s).
1 coin - 1 play (5 jumps), 2 coin - 2 plays (or 2 players)
- Select one or two player game.
- After the "music" was played, a man appears at either one of trapezes and the trampoline on the stage.
- Push the jumping button to release the man from the trapeze.
- If the man can swing to another trapeze, 2,000 points are scored.
- If missing, move the trampoline under the man by turning the control knob for continued play.
- Bounce the man from the trampoline and pop stars for points.
- Scoring:



..... 100 pts.



..... 200 pts.

.....2,000 pts.

- In two player mode, the play alternates between the two.

Functional Description of Game:

- Man will swing automatically after three seconds even if the jumping button is not pushed.
- The speed of man changes randomly.
- If all stars are eliminated, a second full set of stars will appear on the screen.
- The trampoline decreases to its size at random during play.

6. Adjustments on Main P.C. Board

(See Fig. 3 and Table 1)

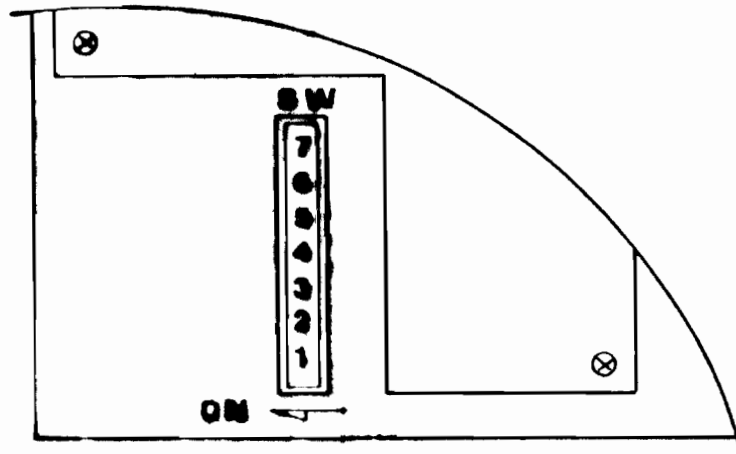


Fig. 3

°SW1 - SW4... Switches for adjusting jumps

The number of jumps is preset "5" at the factory.

JUMPS	SW1	SW3	SW4
3	OFF	ON	ON
5	OFF	ON	OFF
7	OFF	OFF	ON
9	ON	OFF	OFF

Table 1
(Optional Setting)

° SW5 - SW7 ... Switches for adjusting solid-state modules

These switches are for the factory adjustments, and are preset at "OFF" position each.

7. Adjustments on Sub P.C. Board (See Fig. 4)

- **To increase the sound, turn the pots (VR2, VR4, VR6, VR7, and VR8) clockwise as shown below.**

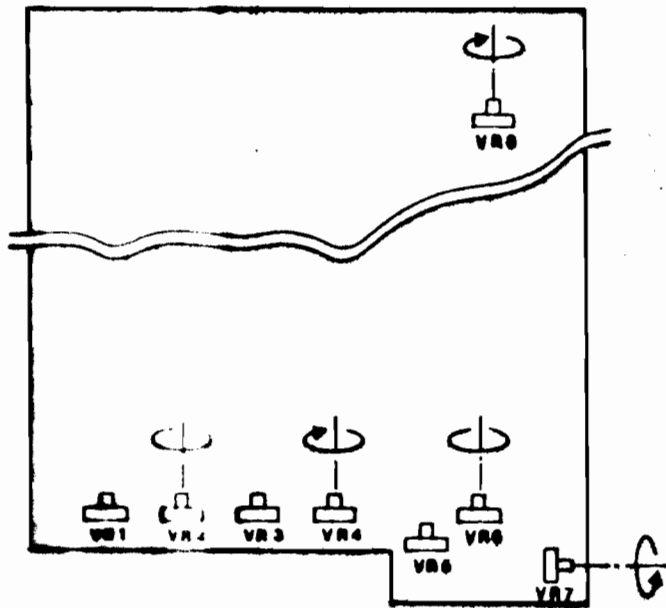
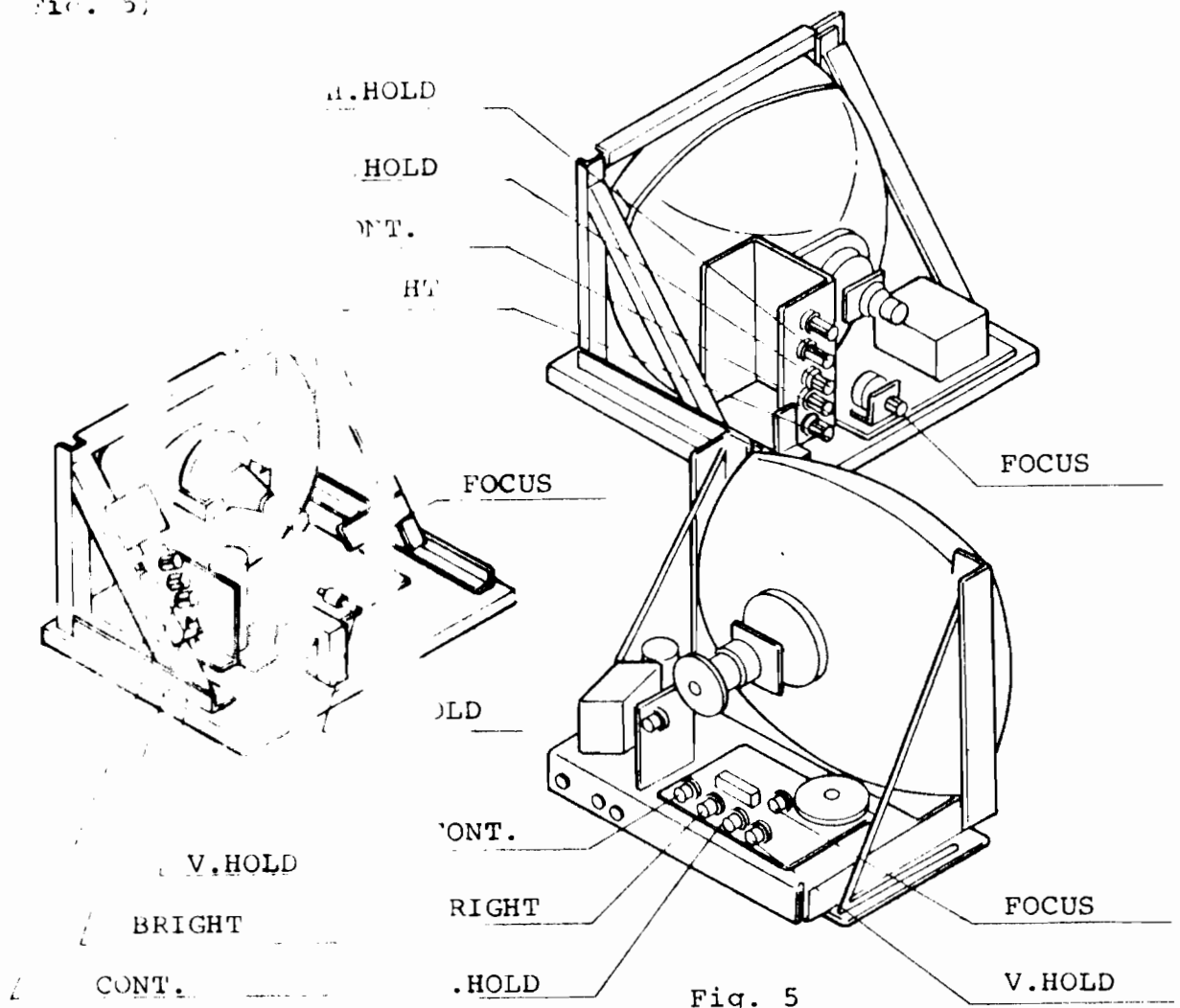


Fig. 4

- VR1...Pot for adjusting tone of missing trampoline**
- VR2...Pot for adjusting volume of missing trampoline**
- VR3...Pot for adjusting volume of bouncing on trampoline**
- VR4...Pot for adjusting volume of popping a star**
- VR5...Pot for adjusting total tone volume**
- VR6...Pot for adjusting volume of bouncing on trampoline**
- VR7...Pot for adjusting total sound volume**
- VR8...Pot for adjusting volume of "music" at game-start**



The TV monitor is properly adjusted before shipping, however, if necessary, readjust it as follows:

- Horizontal Hold
Adjust the H. HOLD control if the picture is warped or broken into diagonal lines.
- Vertical Hold
Adjust the V. Hold control if the picture rolls vertically across the screen.
- Screen Contrast and Brightness
Adjust the CONT. and BRIGHT controls to keep the screen clear.
- FOCUS... Screen Focus Control

Note: The TV Monitor of Taito TRAMPOLINE is for exclusive use, therefore, it can not be replaced with that of other models.

Adjustment of Supply Voltage (See Fig. 6)

If the voltage of the power supply is low, the picture on the screen sometimes flickers. In that case, change the error voltage of the power transformer in the cabinet.

This adjustment is obtained by the use of the change-over switch

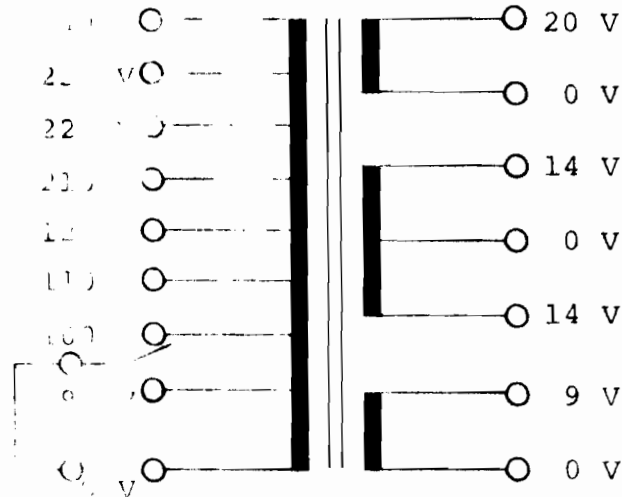


Fig. 6

10. Replacement of Control Knob Potentiometer (See Fig. 7)

- Open the front door and remove two wing nuts (located above the control board) and lift the control board.
- Replace the potentiometer with new one.
- Before mounting the new potentiometer, fully turn the shaft of it clockwise, then turn back approximately 150 degree.
- Also fully turn the knob clockwise, then turn back approximately 90 degree.
- Mount and fix the new potentiometer and the knob.

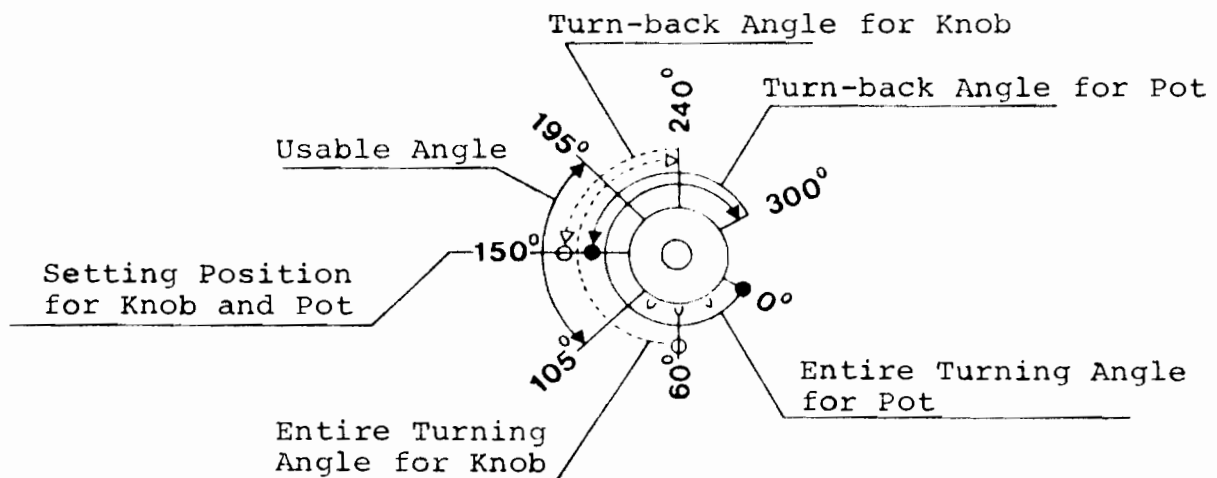


Fig. 7

11. Structure During Play

Fig. 8,

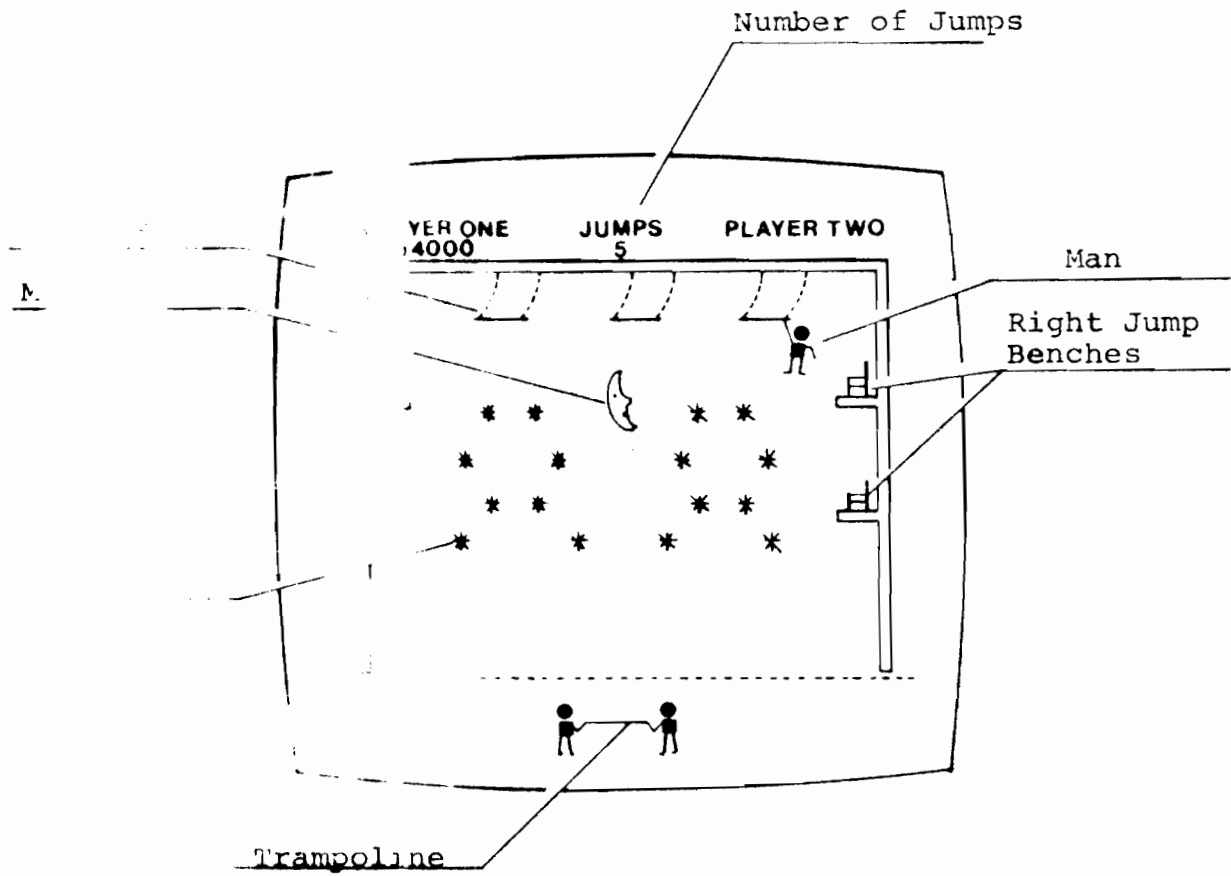
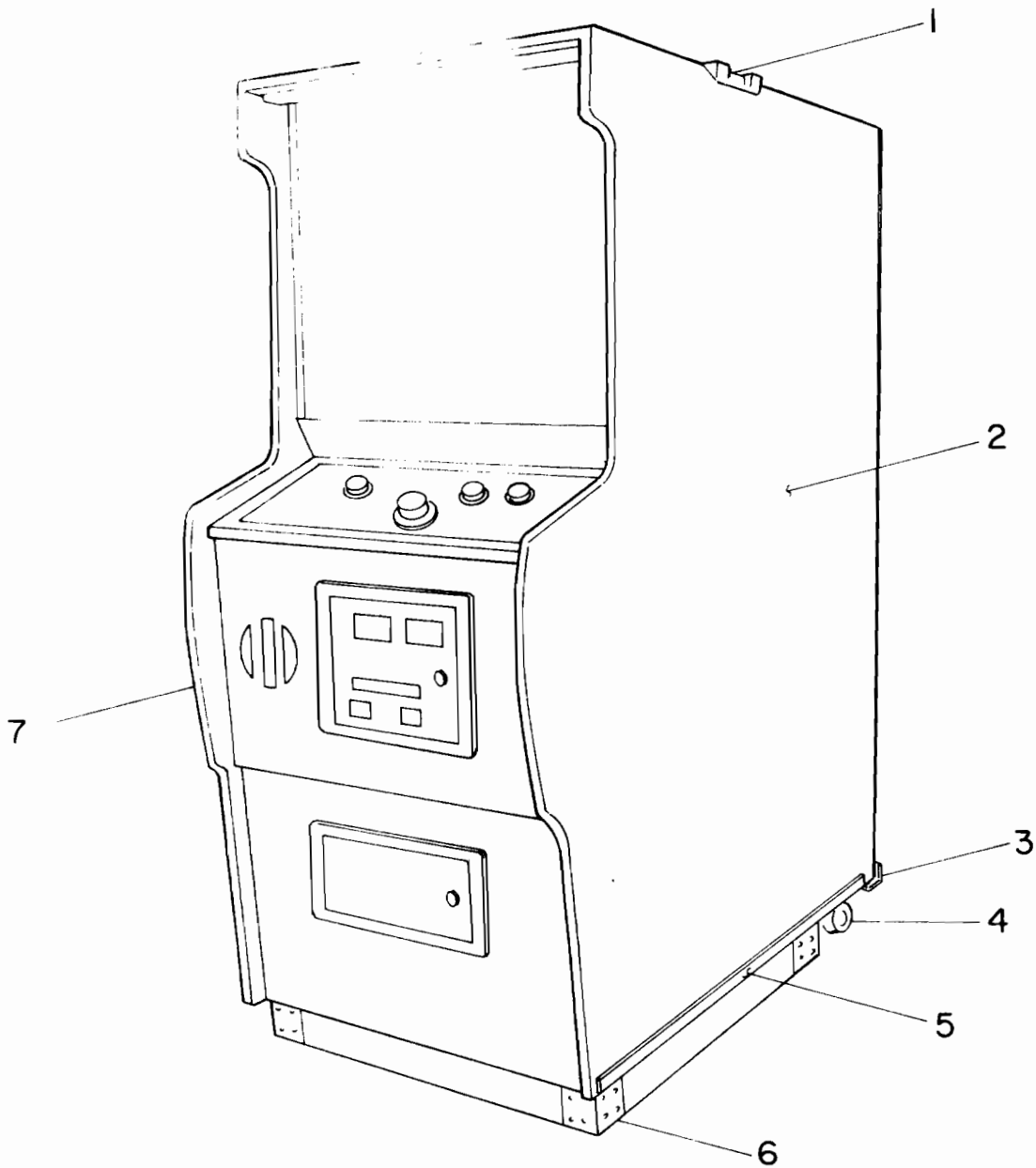


Fig. 8

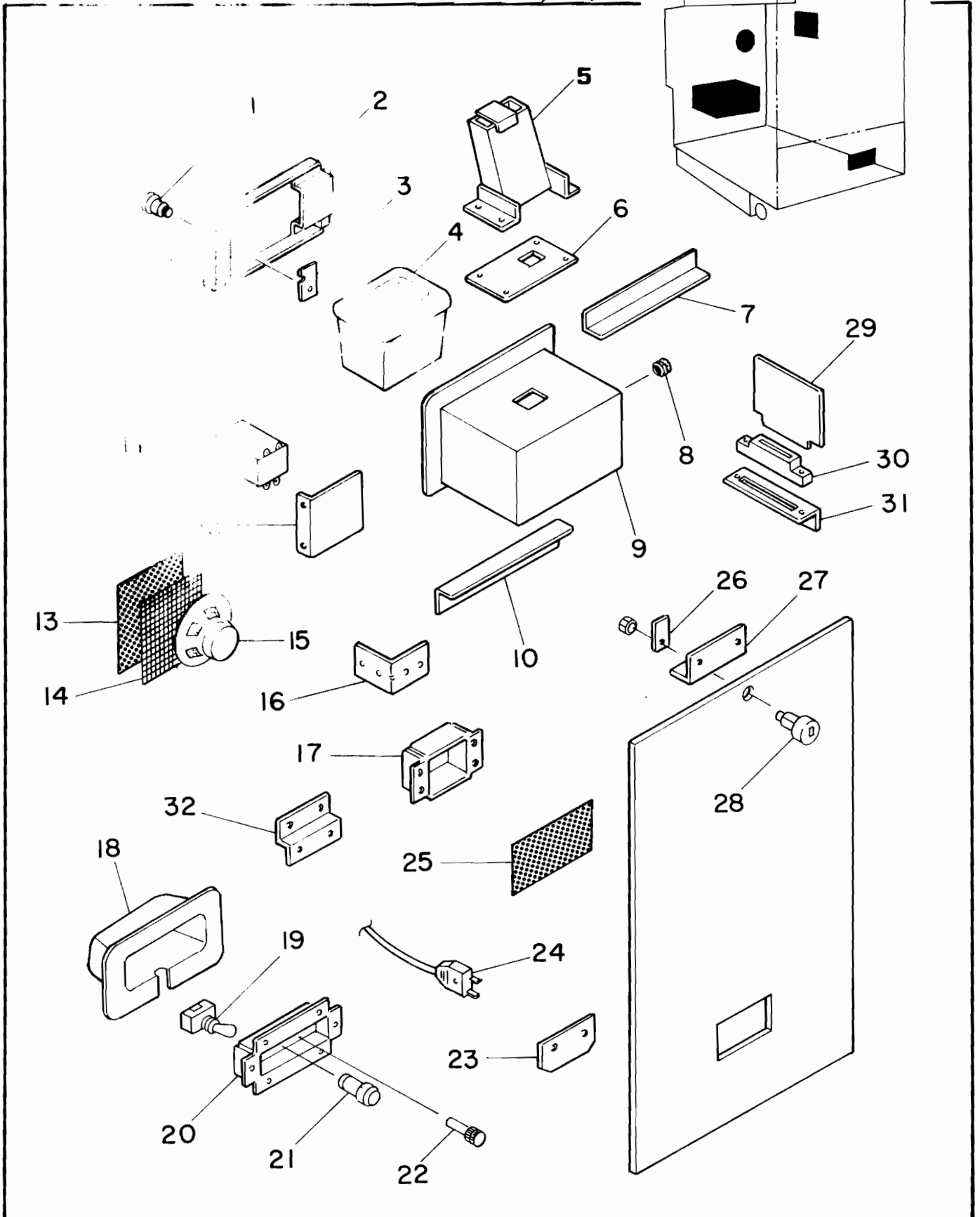
CABINET ACCESSORY ASS'Y

See page 19



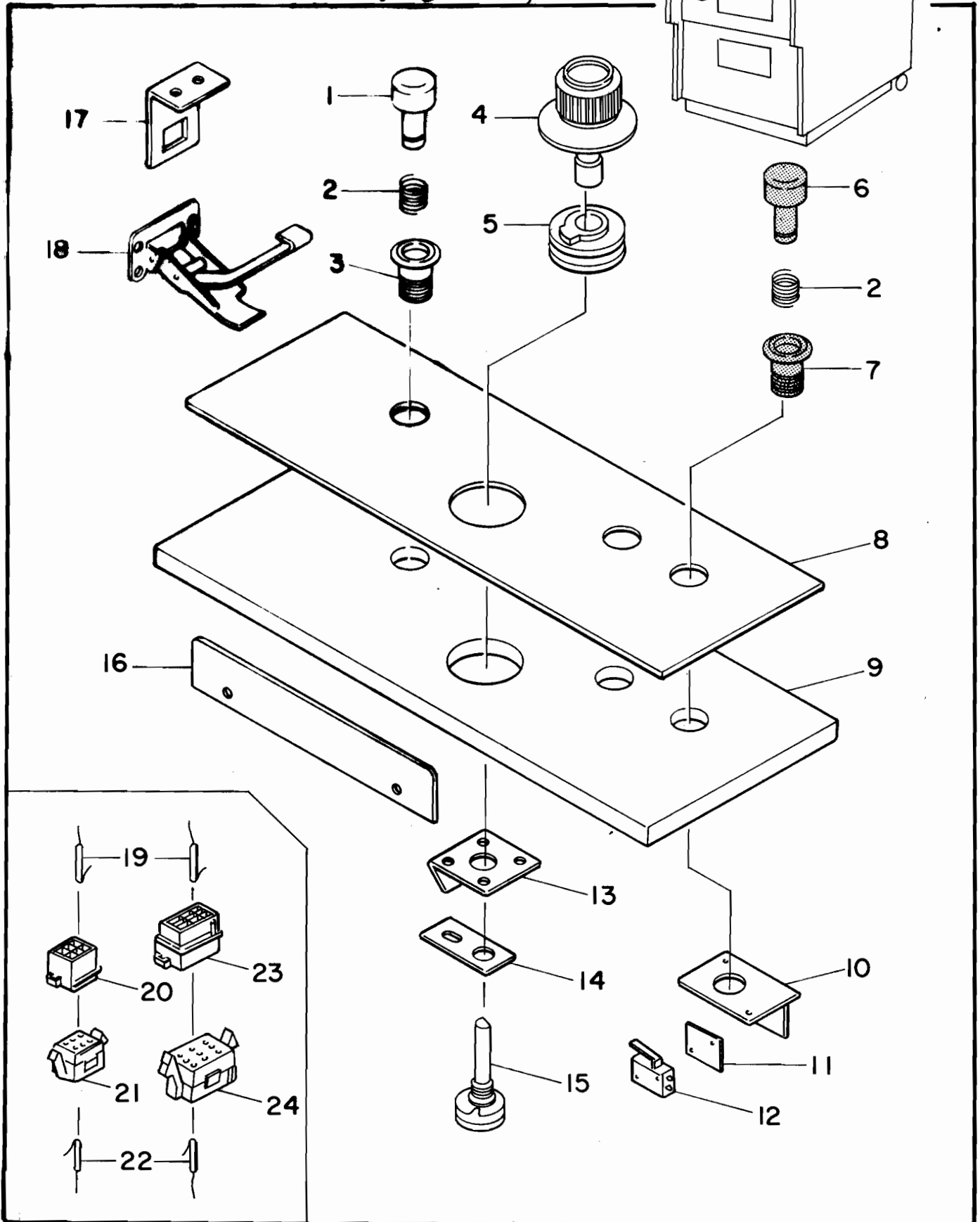
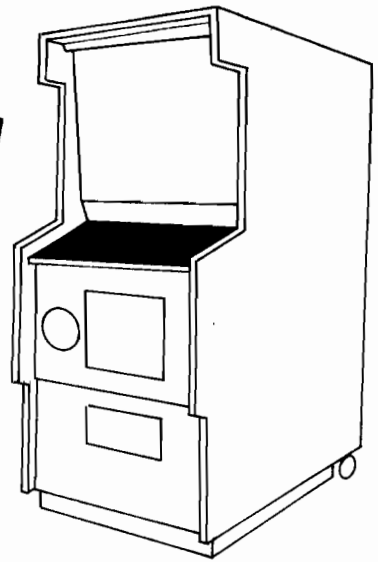
CABINET ASS'Y

See pages 19,20,21



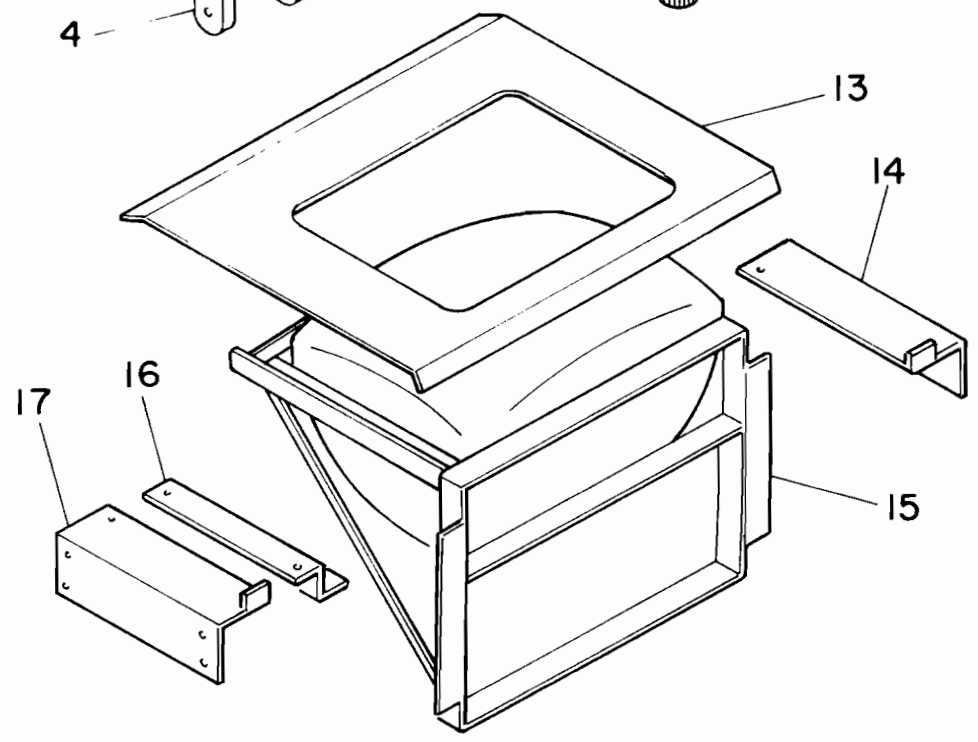
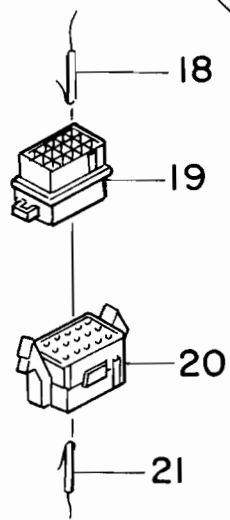
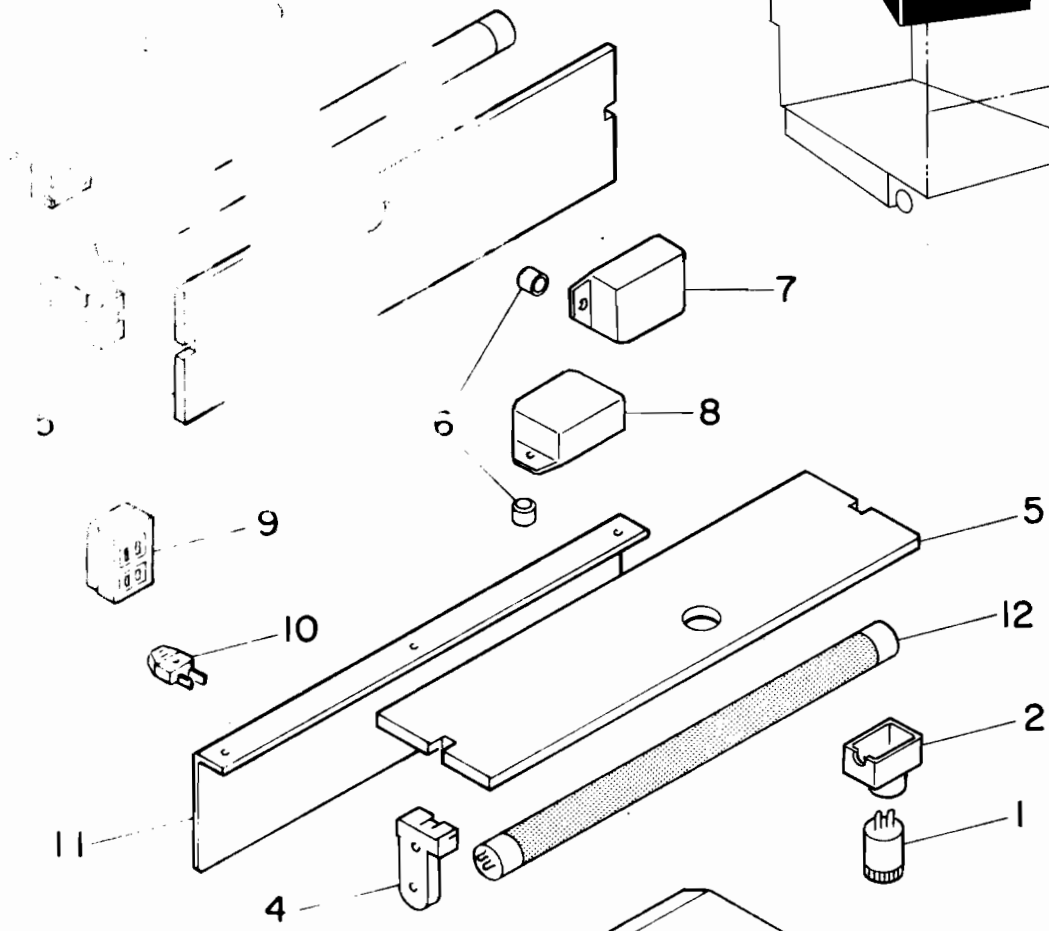
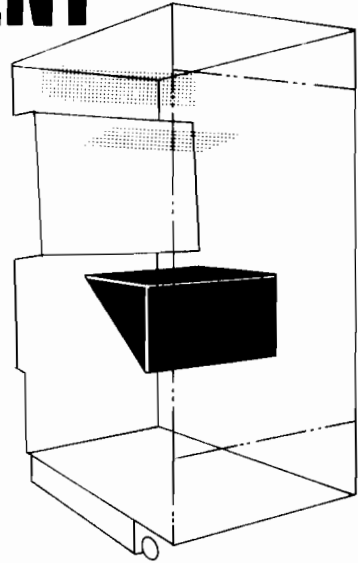
CONTROL PLATE ASS'Y

See pages 21,22



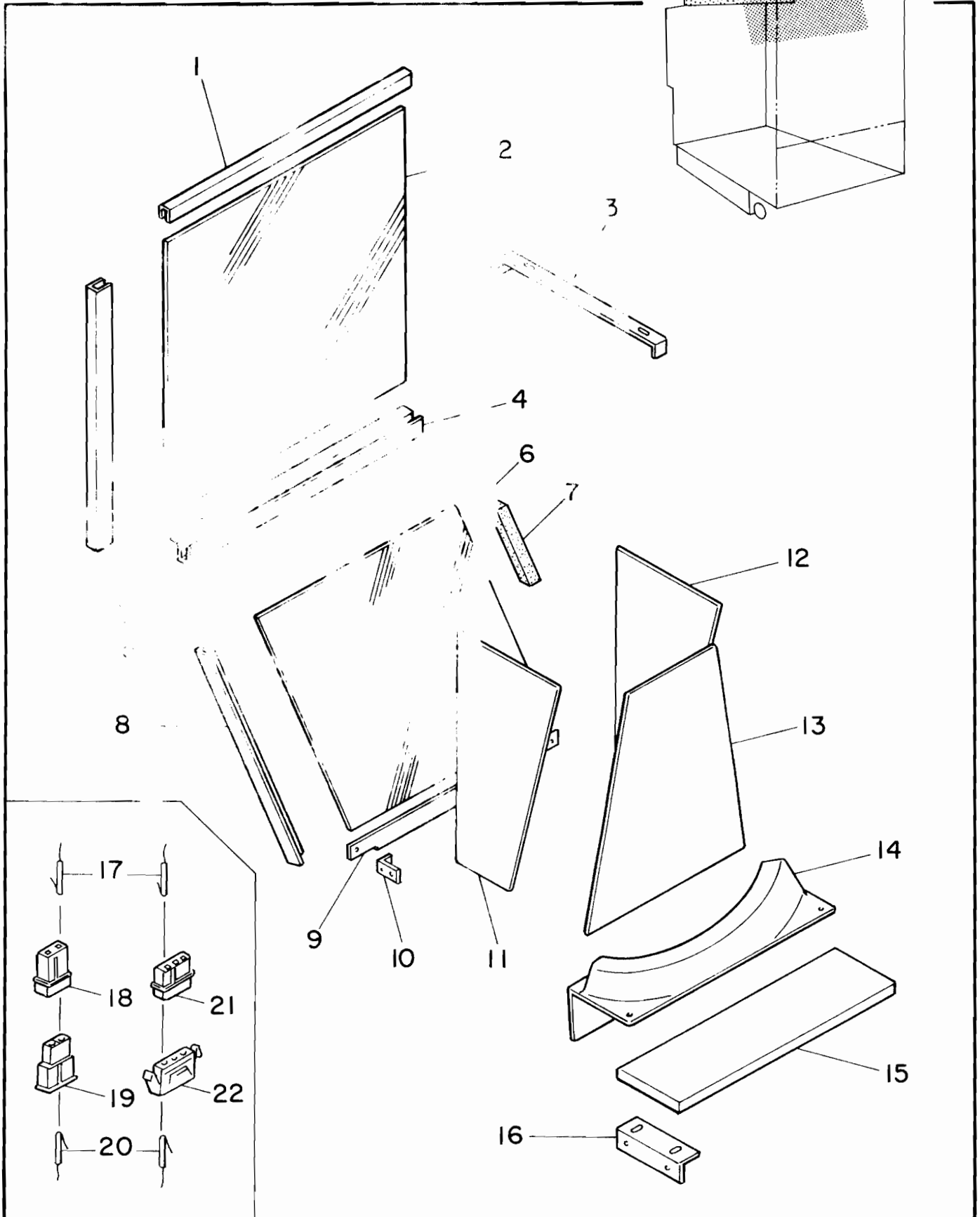
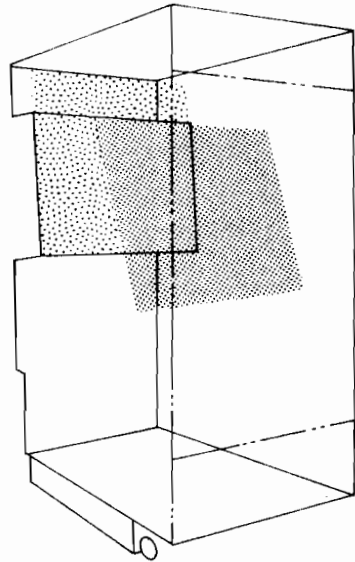
VIDEO AND FLUORESCENT LAMP ASS'Y

See pages 22,23



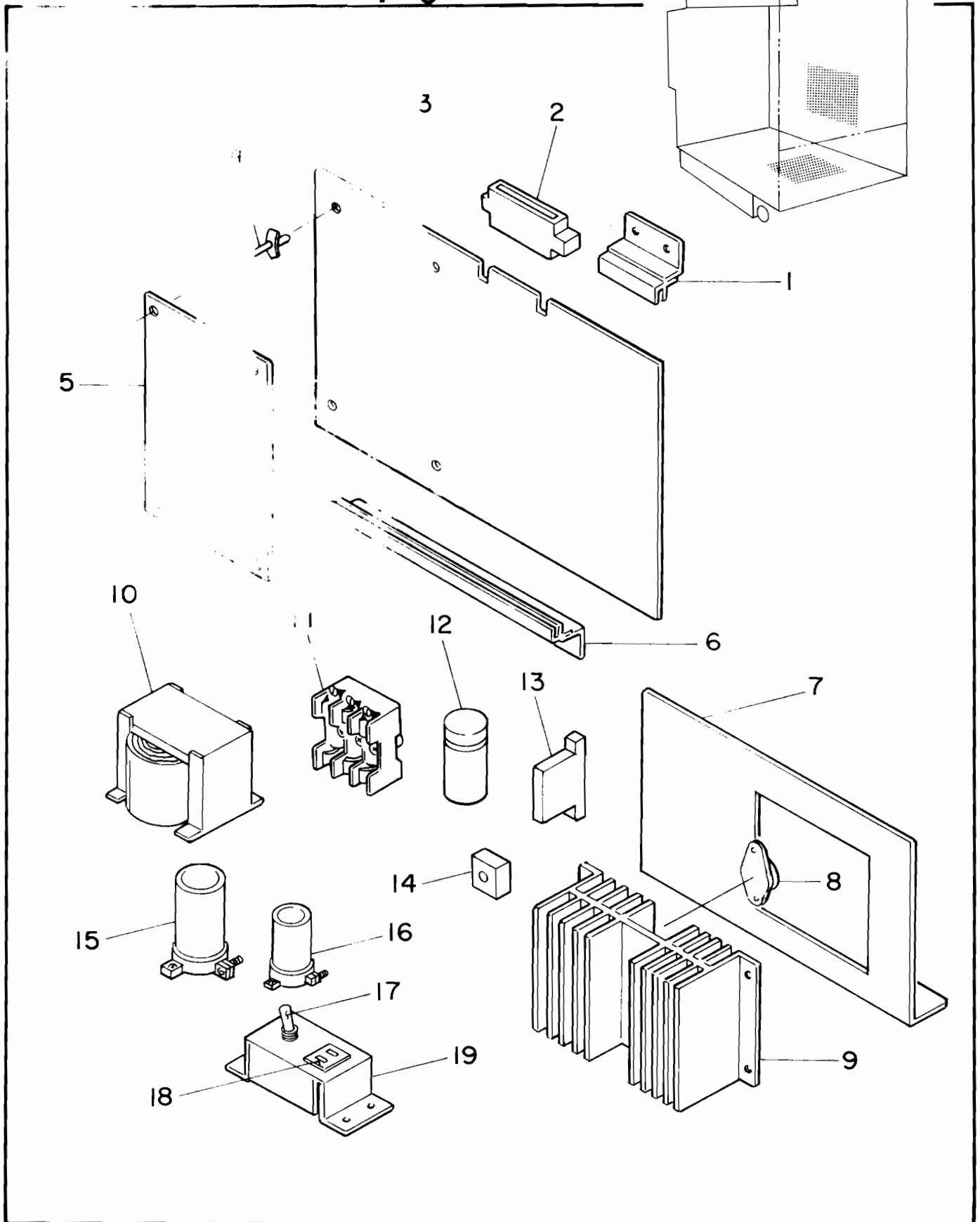
PLAYFIELD ASS'Y

See pages 23,24



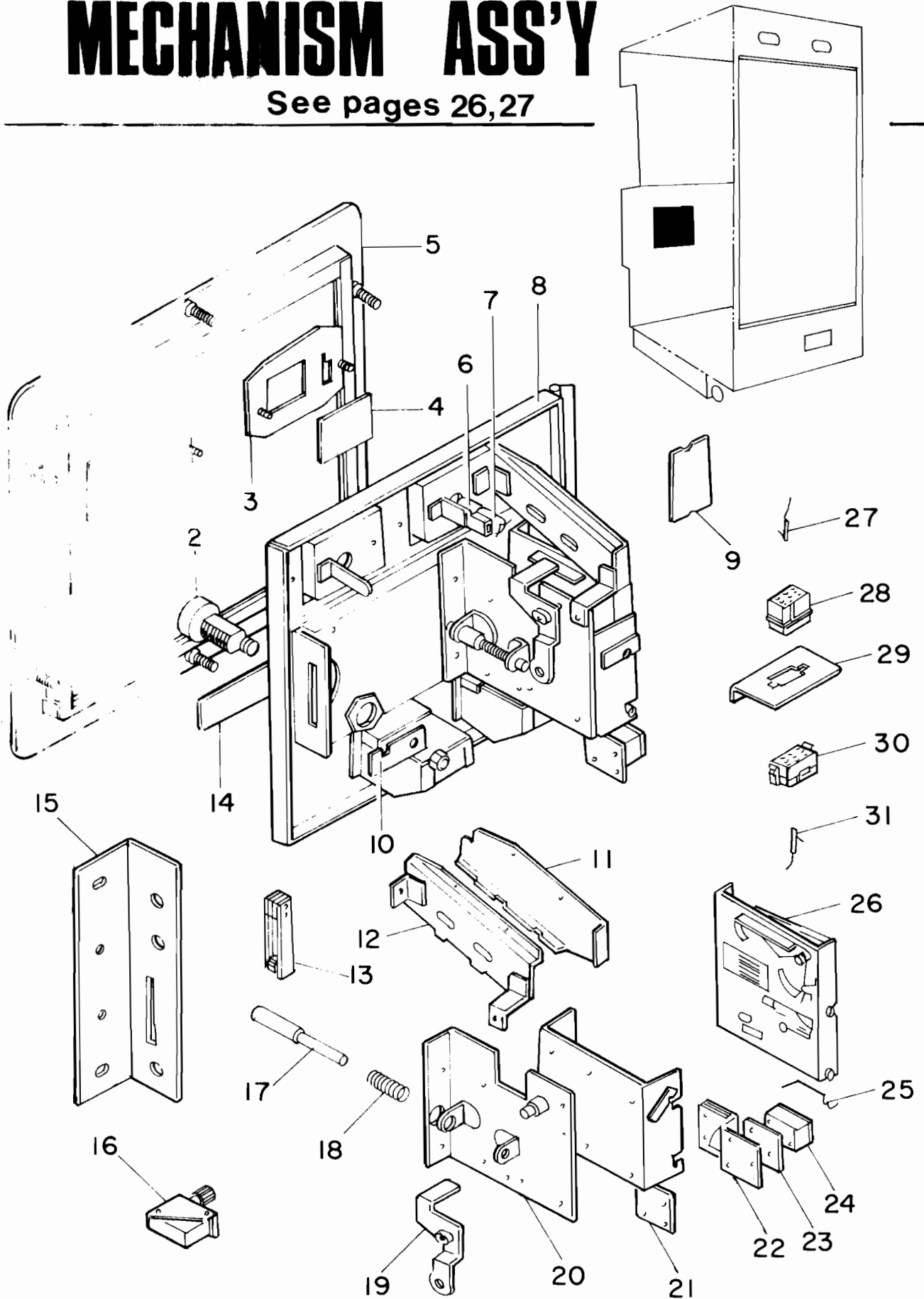
PRINTED BOARD AND REGULATOR ASS'Y

See page 25



FRONT DOOR AND COIN MECHANISM ASS'Y

See pages 26,27



C A B I N E T A C C E S S O R Y A S S ' Y

Item	Part #	Description
1	AAO14511	Molding
2	HMO10001	Cabinet
3	SLO30011	Corner Protector
4	AAO16513	Caster
5	HMO30002	Corner Protector (B)
6	AAO13519	Corner Bracket
7	AAO19524	Edge

C A B I N E T A S S ' Y

Item	Part #	Description
1	AAO16545	Lock & Key
2	AAO26512	Cash Box Door
3	AAO13583	Lock Plate
4	AAO28504	Cash Case
5	AAO25509	Coin Chute
6	AAO13582	Entry Plate
7	AAO13580	Cash Box Guide (B)
8	AAO18504	Grommet

- 9 AAO28505 Cash Box
- 10 AAO13579 Cash Box Guide (A)
- 11 AAO51615 Counter DC 6V
- 12 AAO13581 Counter Bracket
- 13 AAO13562 Ventilator
- 14 AAO19526 Net
- 15 AAT71011 Speaker 8Ω 20W 16cm
- 16 AAO13584 Support Bracket
- 17 AAO13512 Handle Cover
- 18 AAO19542 Switch Cover
- 19 AAO52501 Toggle Switch S-301
- 20 AAO13594 Switch Box
- 21 AAO55784 Fuse Holder S-N 2056
- 22 AAO56508 Earth Terminal
- 23 AAO13523 Door Stopper
- 24 AAO62501 A C Cable & Plug Ass'y
- 25 EPO30010 Ventilator
- 26 AAO13510 Lock Plate
- 27 AAO13569 Lock Gard (B)
- 28 AAO16549 Service Lock 167800
- 29 AAM50007 Counter Drive P.C. Board Ass'y

50 AAO55720 Connector 10P
 51 AAO13586 Connector Bracket
 52 AAO13587 Support Bracket

CONTROL PLATE ASS'Y

Item	Part No	Description
1	TRO90012	Push Button
2	BPO50001	Spring A
3	TRO90013	Push Button Housing
4	AAO19541	Knob
5	RSO90005	Flat Bearing
6	AAO19533	Push Button
7	AAO19534	Push Button Housing
8	RMO70004	Control Panel
9	RMO10002	Control Board
10	BPO30002	Push Switch Bracket
11	AAO19504	Insulator
12	AAO52531	Micro Switch VL-11L
13	AAO13597	Potation Meter Bracket
14	ATO30004	Plate
15	AAT53029	Variable Resistor EVS-31AS20E53

15	RM030004	Stop Plate
17	RM030003	Hook
18	AA016554	Super Cramp
19	AA055789	Mate - N - Lok Plug Pin
20	AA055561	Mate - N - Lok Cap 6P
21	AA055562	Mate - N - Lok Plug 6P
22	AA055790	Mate - N - Lok Socket Pin
23	AA05558	Mate - N - Lok Cap 9P
24	AA055582	Mate - N - Lok Plug 9P

VIDEO AND FLUORESENT LAMP ASS'Y

Item	Part #	Description
1	AA054720	Glow Lamp FG-1P
2	AA055695	Glow Socket
3	AA054711	Fluorescent Lamp 15W
4	AA055694	F L Socket
5	FF010005	F L Board
6	AA012510	Spacer
7	AA057504	Ballast 15W
8	AA057505	Ballast 20W
9	AA055716	A C Socket WH2162

1	AA055713	A C Plug WH4012
11	RSO30007	F L Cover
12	AA054715	Base Light Lamp 20W
13	RMO70015	Video Mask
14	MSO30003	Base Bracket (L)
15	RSO90008	Video
16	AA015790	T V Bracket
17	MSO30004	Base Bracket (R)
18	AA055789	Mate - N - Lok Plug Pin
19	AA055621	Mate - N - Lok Cap 15P
20	AA055622	Mate - N - Lok Plug 15P
21	AA055790	Mate - N - Lok Socket Pin

PLAYFIELD ASS'Y

Item	Part No	Description
1	FFO30010	Glass Retainer Top
2	RMO70003	Front Glass
3	BPO30023	Lock Plate (B)
4	FFO30011	Glass Retainer Bottom
5	RMO30001	Glass Retainer Side
6	MSO90010	Half Mirror

7	AAO18552	Rubber
8	MSO30005	Glass Retainer Bracket
9	MSO 30005	Mirror Bottom Plate
10	MSO30007	Bracket
11	RMO70007	Decoration Board (R)
12	RMO70006	Decoration Board (L)
13	RMO70008	Decoration Board
14	RMO70009	Playfield
15	RSO10004	Playfield Board
16	SWO30018	Field Stop Bracket
17	AAO55789	Mate - N - Lok Plug Pin
18	AAO55501	Mate - N - Lok Cap 2P
19	AAO55502	Mate - N - Lok Plug 2P
20	AAO55790	Mate - N - Lok Socket Pin
21	AAO55521	Mate N - Lok Cap 3P
22	AAO55522	Mate - N - Lok Plug 3P

P.C. BOARD AND REGULATOR ASS'Y

Item	Part No.	Description
1	AAO15566	P.C. Board Guide (A)
2	AAO15567	AMPLIFIER Connector 22P
3	RM00001	Main P.C. Board Ass'y
4	AAO15568	Locking Circuit Support Bracket ICB-10
5	RM00002	Sound P.C. Board Ass'y
6	AAO19129	P.C. Board Guide (C)
7	TMO30001	Heat Sink Bracket
8	AAT31005	Regulator SI-3554M
9	AAO69519	Heat Sink HWG L=120
10	AAO57569	Transformer
11	AAO55804	Fuse Holder F3521 3P
12	AAT41127	Capacitor 35T2200
13	AAT14002	Rectifier 5B-1
14	AAT14027	Rectifier KBPC-802
15	AAT41166	Capacitor 16LASN-2200
16	AAT41168	Capacitor 25LASN-2200
17	AAO52535	Toggle Switch S-2A
18	AAO55788	A C Socket S-1520
19	AAO13599	Socket Box

FRONT DOOR AND COIN MECHANISM ASS'Y

Item	Part No	Description
1	AAO21530	Coin Shield Plate
2	AAO16549	Service Lock AA 7800
3	AAO21533	Coin Entry Plate for ¥100
4	AAO29508	Price Card for ¥100 Coin
5	AAO26510	Door Fram
6	AAO54704	Pilot Lamp 12V 150mA
7	AAO55698	Vinyl Socket
8	AAO26511	Rejector Door
9	AAO19522	Cover Plate
10	AAO13578	Lock Plate
11	AAO25508	Coin Guide (B)
12	AAO25507	Coin Guide (A)
13	AAO68717	Tilt Switch
14	AAO17705	TAITO Name Plate
15	AAO13577	Lock Gard
16	AAO52511	Push Button Switch VAQ-4R
17	AAO27504	Cancel Rod
18	AAO15504	Spring
19	AAO13557	Cancel Lever
20	AAO13554	Rejector Bracket

24 AA012514 Rejector Holder

25 AA012515 M S Coin Guide

26 AA012516 Insulator

27 AA012517 Micro Switch C-5G3-3

28 AA012518 Actuator CAA-1

29 AA012519 Rejector for ¥100

30 AA012520 Mate-N-Lok Plug Pin

31 AA055581 Mate-N-Lok Cap 9P

32 AA013527 Socket Bracket

33 AA055582 Mate-N-Lok Plug 9P

34 AA055790 Mate-N-Lok Socket Pin



TRAMPOLINE

