

SEGA

TRACER

**PARTS
CATALOG**

SEGA

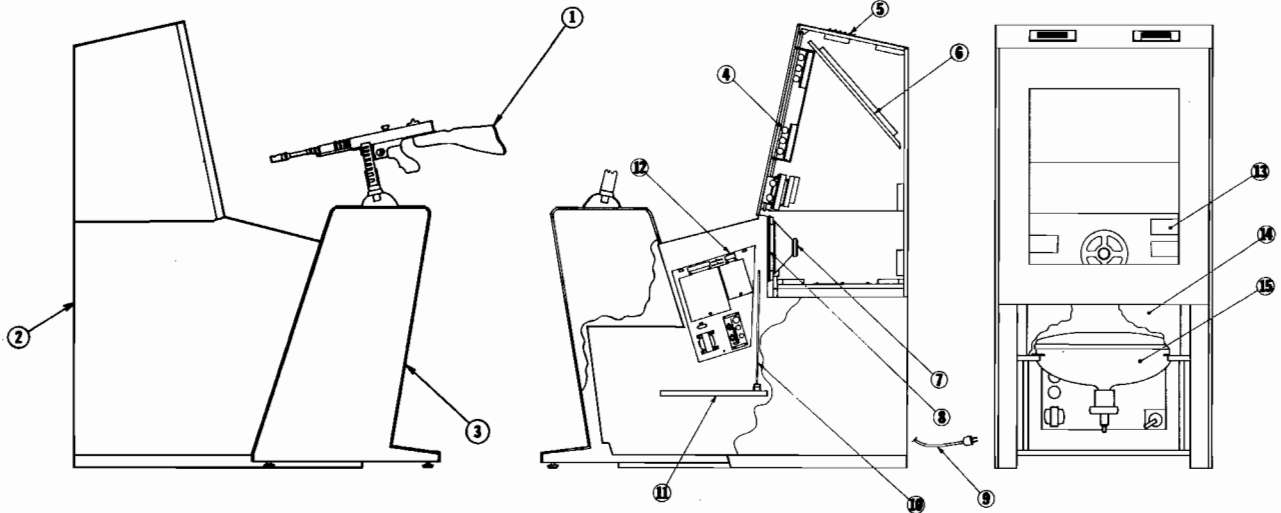
Sega of America

2550 Santa Fe Avenue, Redondo Beach
California 90278 Tel. (213) 772-0833
TWX: 910-325-6228 Cable: Segastar

THE SYMBOL FOR QUALITY ORIENTED ARCADE GAMES

COMPLETE ASS'Y

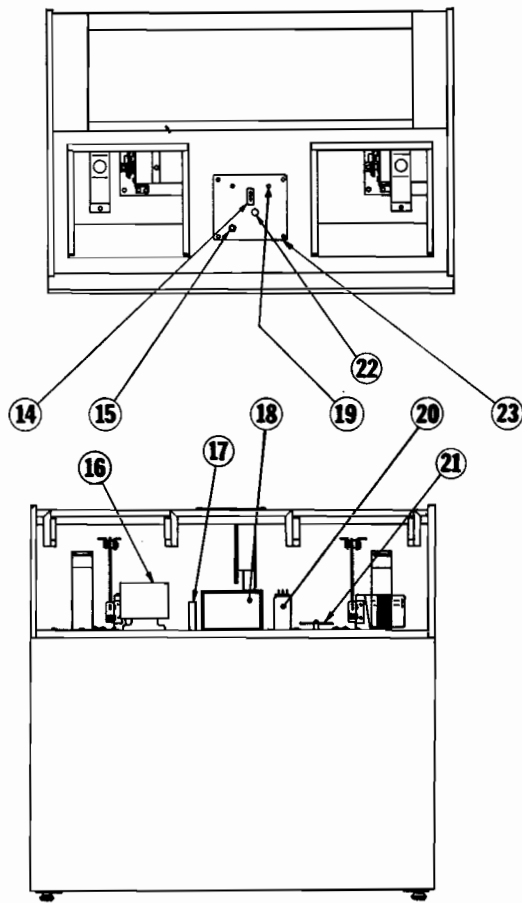
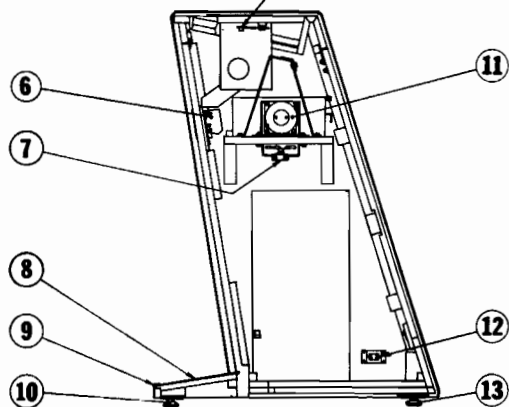
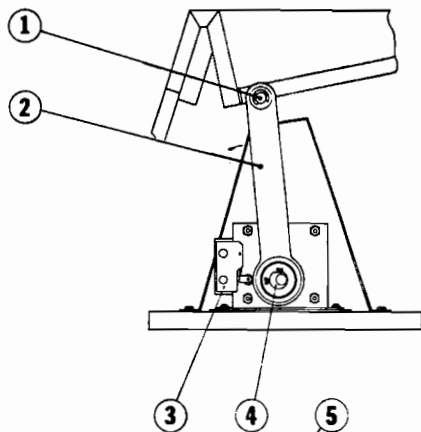
CABINET ASS'Y



Item	Part No.	Description
1	PT-0253 PT-0264	Machine Gun Ass'y #1 Machine Gun Ass'y #2 (see page 4 for detail)
2	PT-0251	TV Cabinet Ass'y (see page 3 for detail)
3	PT-0252	Gun Cabinet (see page 2 for detail)

Item	Part No.	Description
4	S-90158	#55 Lamp, 6-8V
5	PU-1030	Air Vent
6	24008-001	Mirror
7	S-93425	Speaker, 8 OHM, 10 Watt
8	PT-0270	Saran
9	91429	AC Cable, 120V
10	94359X-P-A-LAO-1	Logic Board
11	PT-0298	Power Supply (see page 5 for detail)
12	SGB-2058	Sound Unit (see page 6 for detail)
13	PT-0286	Scoring Segment Switch Unit X 3
14	240052-001 240052-002 240052-003	Shroud Shroud Shroud
15	520001	TV Monitor

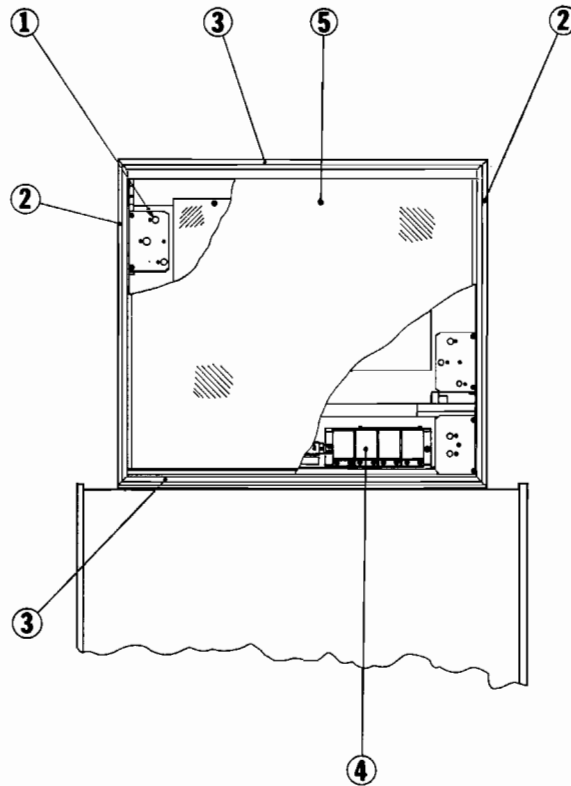
GUN CABINET ASS'Y TRACER



Item	Part No.	Description
1	PT-0339	Connection Pin
	144-062	E. Washer, 8MM
	144-082	F. Washer, 10.3-22.2X2
2	PT-0338	Connecting Arm
3	S-94394	Micro Switch
4	PT-0335	Eccentric Shaft
	PT-0340	Stop Ring
	S-82290	Ball Bearing, 17x35x10
	144-274	Snap Ring, outside type, 17MM
5	92247	Anti Slam Switch Ass'y
6	NR-1088	Coin Reject Cup
7	S-93024	Fan Motor, 100V-2500-3000RPM
	S-94416	Fan
8	PT-0328	Scuff Plate
9	PT-0341	Corner Edge
10	M-163-4L	Leg Leveler
11	94409	Gun Motor Ass'y, 100V
12	S-90834	Push Button AC Switch
13	M-163-4 (L)	Leg Adjuster
14	PT-0234	25¢ Coin Entry Plate
15	S-93467	Push Button Micro Switch
16	260001	Gun Board
17	90303X-6-P	Total Play Meter, 6VDC
18	SR-1023	Cash Box
19	S-94351	L.E.D
	S-94352	Holder

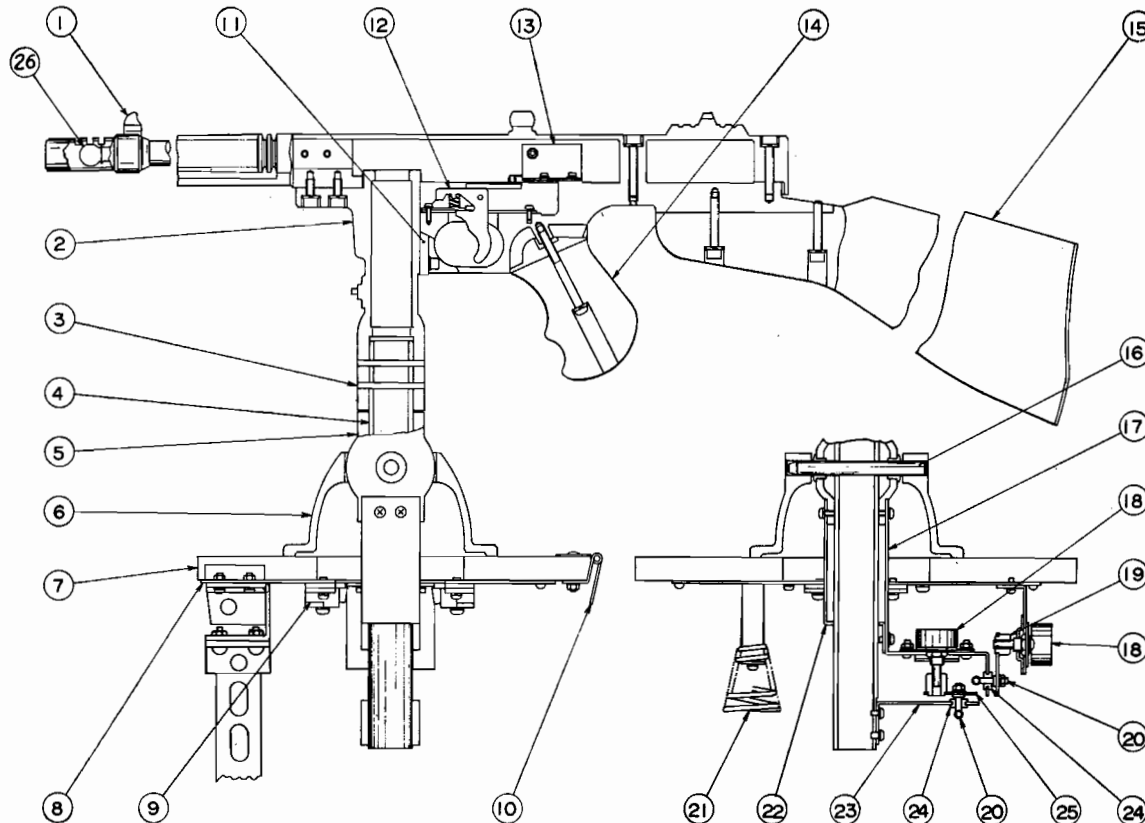
Item	Part No.	Description
20	S-94436	Condensator - MP Type 12uF, 250WV (for 100V)
21	PT-0321	Gun Motor Drive Circuit Board
22	1035	Reject Button
	1034	Reject Button Housing
23	240027-003	Instruction Plate

TV CABINET ASS'Y



Item	Part No.	Description
1	S-90158	#55 Bulb, 6-8V
2	PT-0268	Ornament Frame, B
3	PT-0267	Ornament Frame, A
4	S-93956	Lamp, 14V
	S-93957	Lamp, Socket
	HR-2011	Printed Circuit Board
	HR-2012	Sheet
5	PT-0289	TV Front Glass

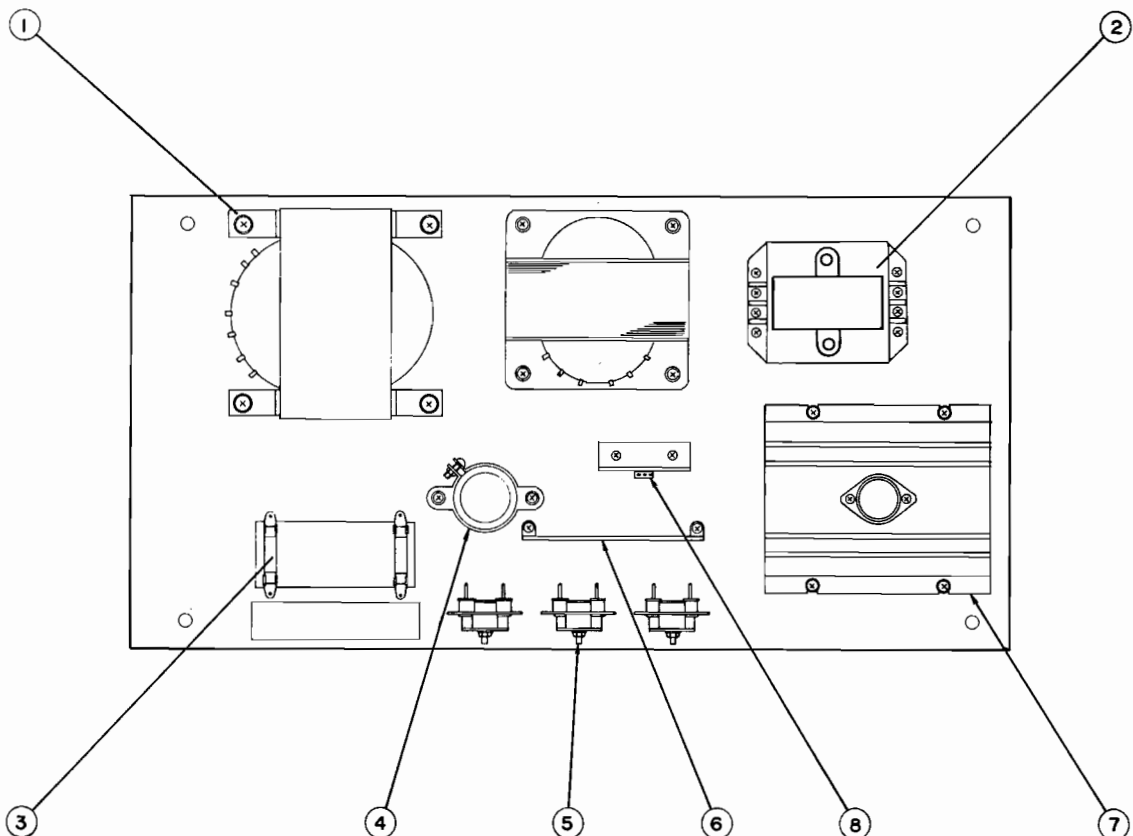
MACHINE GUN ASS'Y TRACER



Item	Part No.	Description
1	PT-0279	Gun Barrel
	111-929	Set Screw M6 x 15
2	PT-0277	Magazine
	111-928	Set Screw M6 x 15
3	155-084	Spring Pin 4 x 45
4	PT-0283	Pivot Tube
5	PT-0282	Turret Pivot Ass'y
6	SR-2014	Turret Base
7	PT-0305	Gun Base
8	PT-0306	Back Plate
9	PT-0308	Bumper Base
	PT-0309	Rubber Bumper
	2P-11601	Rubber Retainer
10	PT-0307	Hinge 298
	SB-1104-R	Hinge Plate Lower
11	PT-0278	Gun Base
	111-779	Set Screw M5 x 15
12	PT-0281	Trigger Bracket Ass'y
	DH-2007	Compressing Spring
13	94413	Micro Switch Bracket
	S-91843	Micro Switch
14	PT-0276	Wooden Grip
	111-721	Machine Screw PH. Phill. M6 x 60, (S-25)
15	PT-0275	Gun Stock
	111-929	Set Screw M6 x 35

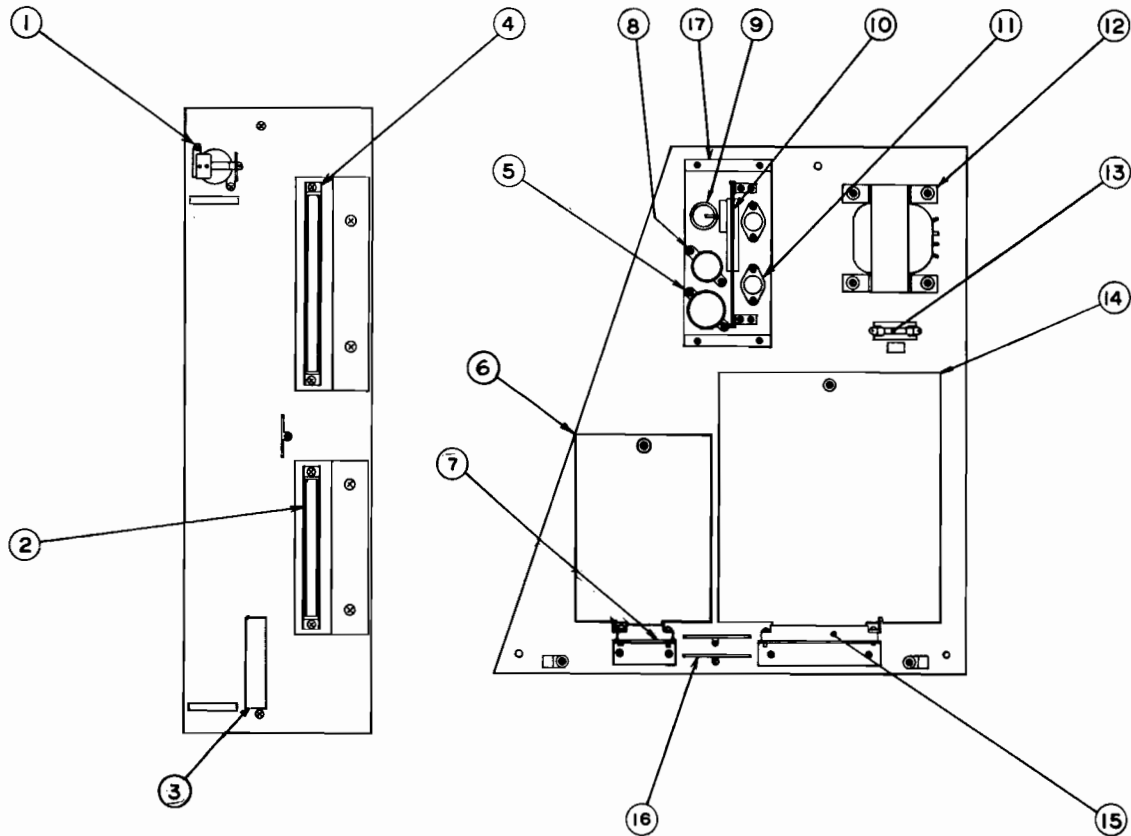
Item	Part No.	Description
16	DH-2011	Pivot Shaft
	155-070	Spring Pin 4 x 24
17	PT-0312	Gun Lever, Vertical
18	S-93516X-P	5k Pot
	111-643	Set Screw M4 x 8
19	PT-0317	Lever Ass'y, Vertical
20	PT-0319	Stud
	DD-3075	Extension Spring
21	AF-2410	Mounting Spring
	S-80045	Rubber Foot
22	PT-0313	Gun Lever Support
23	PT-0315	Gun Lever, Horizontal
24	HR-3108	Bushing B
25	PT-0318	Lever Ass'y, Horizontal
26	260002	Shot Light Ass'y, #55 Bulb

POWER SUPPLY TRACER



Item	Part No.	Description
1	94368	Power Transformer 90-120V, 6.3-110V
2	S-94393	Noise Supressor 250 VAC, 4 AMP
3	S-90661	5 AMP Fuse
	S-91663	1.5 AMP Fuse
	S-90645	1 AMP Fuse
4	S-94317	Condensor 10,000uF, 25WV
5	S-94128	Rectifler Sillcon Diode
6	S-91017	Terminal Strip
	S-91654	Rectifler Sillcon Diode
	S-90417	Resistor 10 OHM, 5W
	S-94389	Resistor 0.2 OHM, 5W
	S-93699	Condensor 1uF, 25WV
	S-93634	Condensor 1uF, 25WV
7	94399	Heat Sink 1.3° c/w 40W
	S-94268	Transistor 2SA627
8	S-94267	Regulator 1C, uA, 78MO5UC

SOUND UNIT TRACER



Item	Part No.	Description
1	S-94395	Coin Lockout Control Relay
2	S-94391	Edge Connector - 56 Pin
3	260002	Score Extension Board
4	S-94223	Edge Connector - 72 Pin
5	S-90948	Condensor 1000uF, 50WV
6	94396X-P	Tone Board
7	S-94397	Edge Connector - 12 Pin
8	S-91794	Condensor 1000uF, 35WV
9	S-90595	Volume Control Knob - 22mm
	S-92019	30k Pot
10	DB-4602	Amplifier
11	S-93711	Transistor 2SD 226A(P)
12	94152	Power Transformer 90-117V, 9-28V
13	S-90644	2 AMP Fuse
14	260004	Sound Board
15	S-94398	Edge Connector - 18 Pin
16	S-91016	Terminal Strip
	S-93436	Resistor 4.7k, 1/4w
17	DC-4601X	Chassis
	S-91017	Terminal Strip
	S-92375	Rectifier, Silicon Zener Diode
	S-93439	Rectifier, Silicon Diode
	S-93438	Rectifier, Silicon Diode