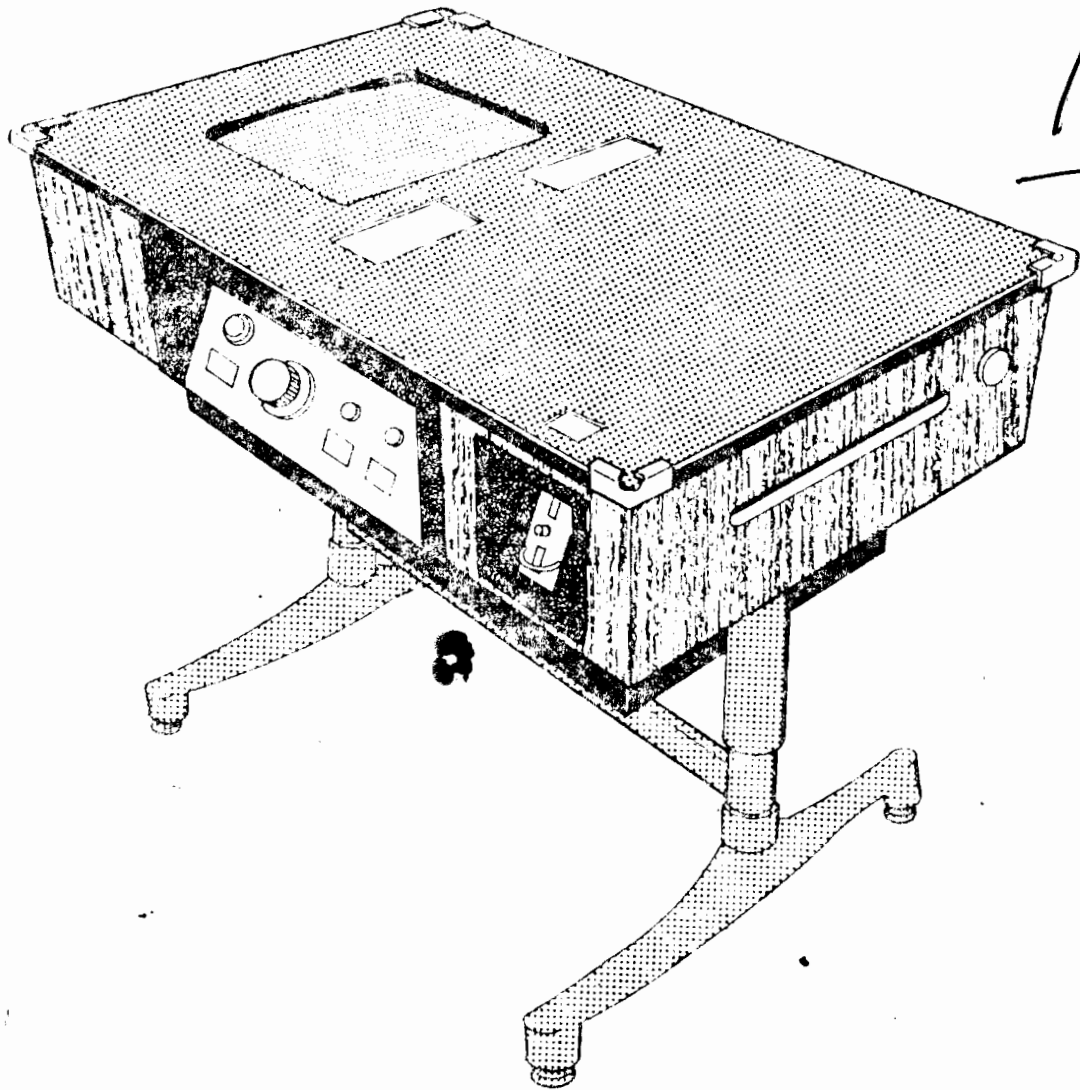


TABLE BLOCK

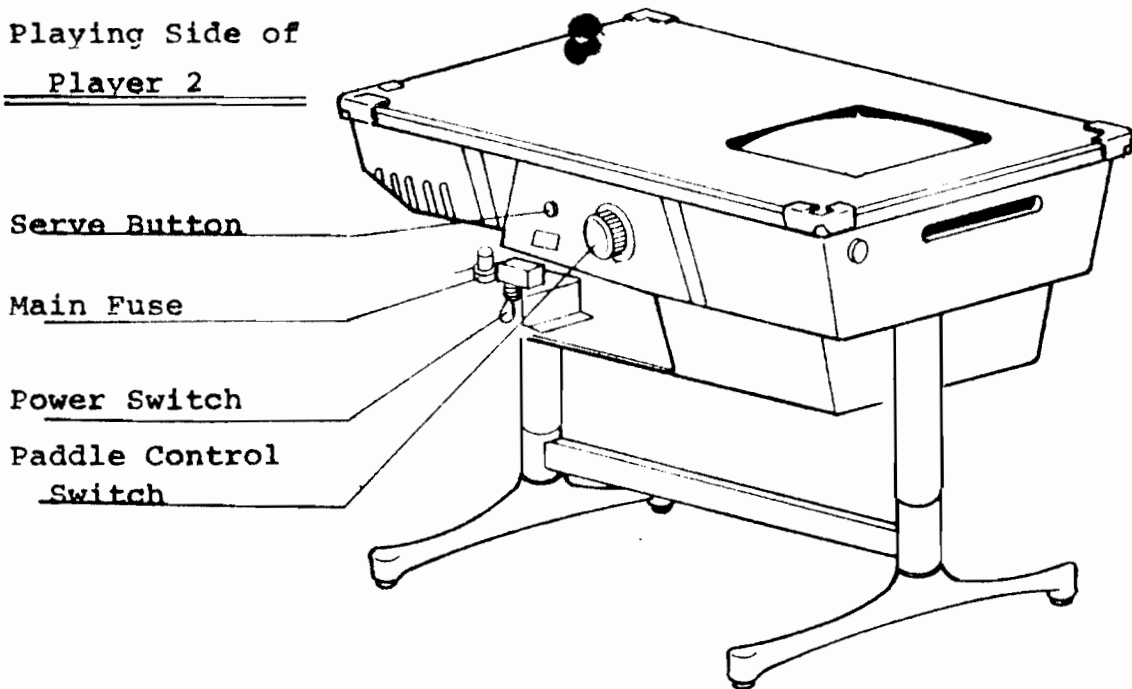
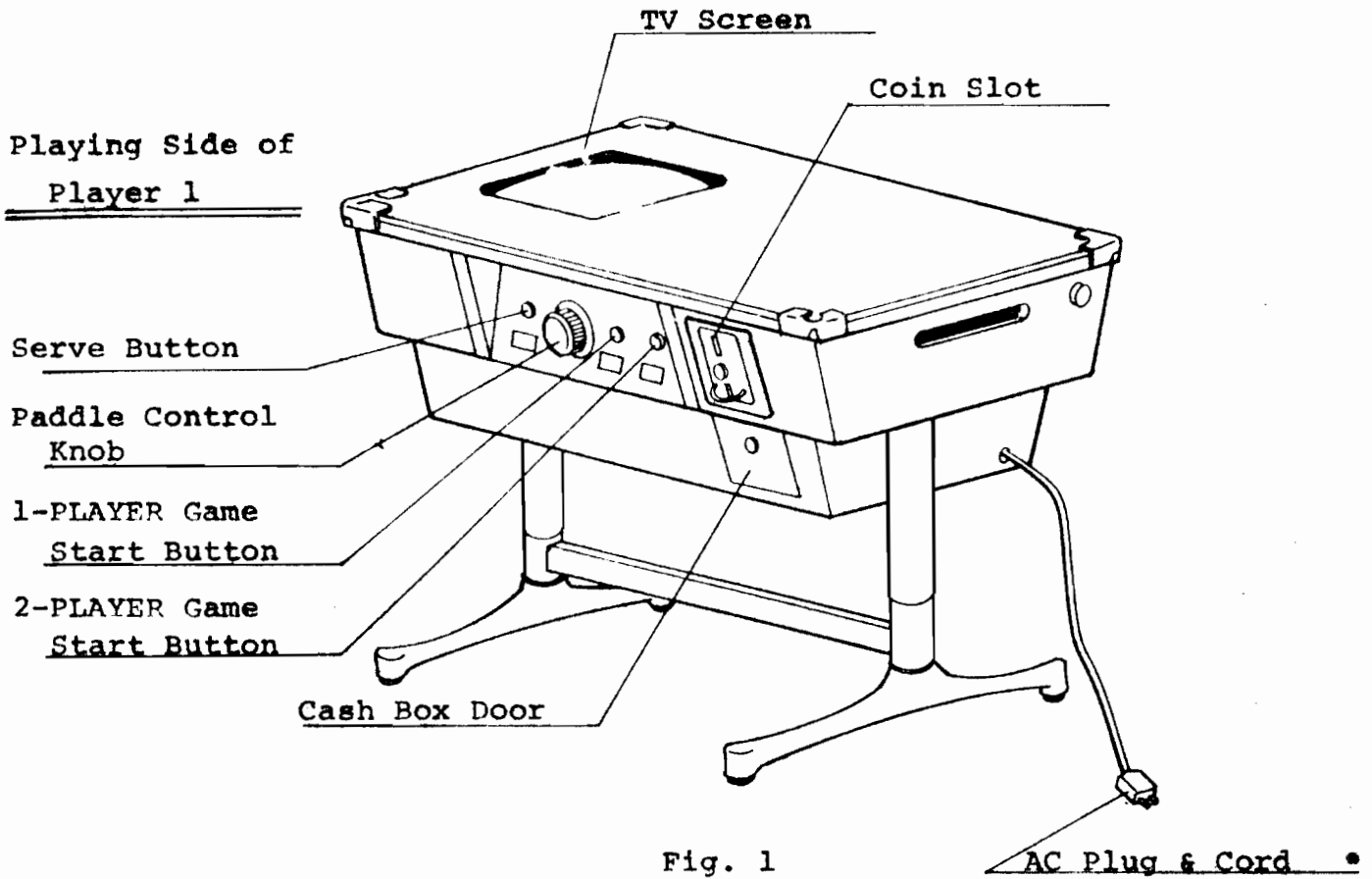


**SERVICE INSTRUCTIONS
AND PARTS CATALOG**



TAITO CORPORATION

1. Name of Part
(See Figs. 1 and 2)



2. Transportation and Installation

- Avoid rough handling in transportation; the picture tube is fragile.
- Avoid installation in location with exposure to direct sunlight or excessive heat in order to prevent the unit from rising internal temperatures.
- Ensure all connections to the PCB's are secure.
- Insert the AC plug into a proper outlet and turn the power switch on.

Note:

- Erroneous or partial score may appear on the screen when the machine is first switched on. This is typical of solid-state circuitry, and will correct itself automatically when the first play is started.

Warning:

- Taito ' TABLE BLOCK ' uses the latest solid-state circuitry for long life, however, as with sophisticated electronic equipment certain precautions must be observed to avoid damage.

- (1) Do not attempt to service with ordinary testing equipment, since the internal voltage of the testing equipment may cause damage to the solid-state circuitry.
- (2) Never connect or disconnect any of the solid-state modules while the power is on.

3. Playing Instructions

- One or two player game.
- Play pricing:
 - 1 coin ... 1 play for 1-player game, 3 balls
(adjustable to 5 balls)
 - 2 coins... 2 plays for 1-player game or 1 play for
2-player game
- Deposit coin(s) and press either lighted start button,
1-player or 2-PLAYER game start button.
(Up to 15 coins can be credited.)
- Press lighted serve button each time to serve a ball.
- Turn the paddle control knob to move the paddle back
and forth and hit the ball to knock down as many blocks
as possible.
- In a 2-PLAYER game, the TV picture is rotated 180 degree
at the conclusion of each serve. Play alternately.
- One bonus replay is awarded when score of 400 is reached.
(Adjustable)
- A game ends after 3 balls are served to each player.
(This is adjustable to 5 balls per player per game.)

Functional Description of Game:

- When a ball hits a block, a point or points are scored
as follows:
 - a block on 1st and 2nd rows 1 pt.
 - a block on 3rd and 4th rows 3 pts.
 - a block on 5th and 6th rows 5 pts.
 - a block on 7th and 8th rows 7 pts.
- When a ball clears away an opening in the wall of blocks,
the length of the paddle will be shortened until the
player misses hitting the ball.
- During any one serve, the ball speed increases when the
ball hits any block on 5th to 8th row.
- A bounce sound is produced when the ball hits the sidewall
or backwall boundaries, and a 'blip' sound when it hits
the paddle. And buzzing sound is produced each time
a player's score reaches a preset achievement level.
- If all blocks are knocked away with scoring 448 points,
a second full set of blocks will appear on the screen.

4. Picture on TV Screen

° 1-PLAYER Game

(See Fig. 3)

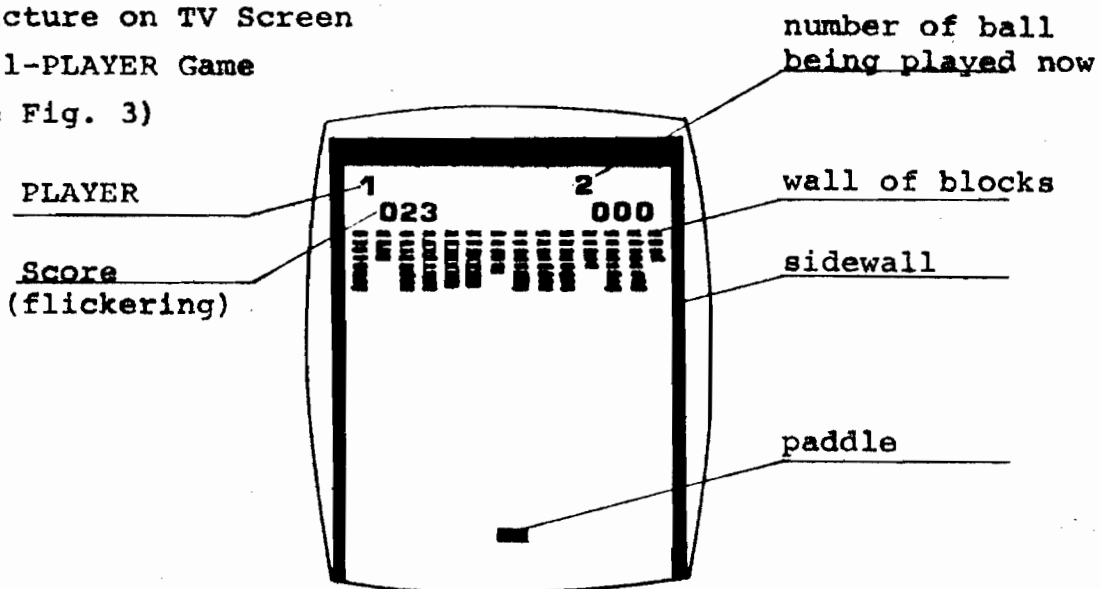


Fig. 3

° 2-PLAYER Game

number of ball being played now

score of PLAYER 2

PLAYER

Score (flickering)

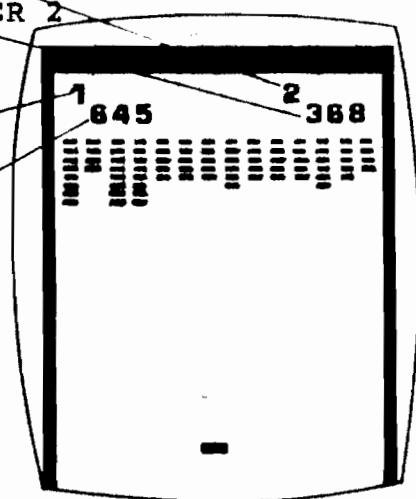


Fig. 4

(Typical picture when PLAYER 1 plays.)

score of PLAYER 1

score (flickering)

number of ball being played now

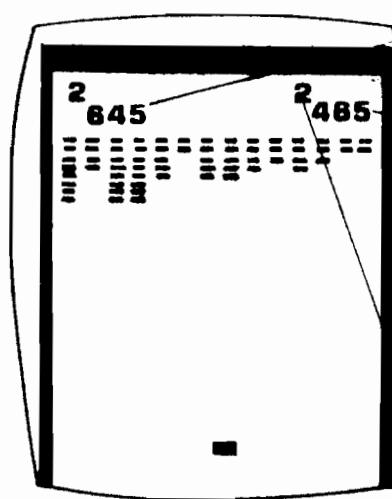


Fig. 5

(Typical picture when PLAYER 2 plays.)

5. Adjustments on Main P.C. Board

(See Fig. 6 and Table 1)

- VR ... Pot for adjusting sound volume

To turn up the sound volume, turn the VR pot clockwise.

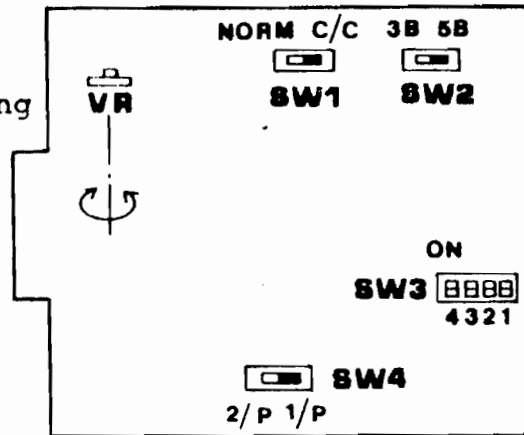


Fig. 6

- SW1 ... Switch for rotating TV picture
In a 2-PLAYER game, the TV picture is rotated 180 degree at the conclusion of each game. During game play, this switch should be at 'C/C' position, otherwise the TV picture will not be rotated.
- SW2 ... Switch for changing number of serves
'3B' position ... 3 serves (3 balls per player per game)
'5B' position ... 5 serves (5 balls per player per game)
- SW3 ... Switch for changing replay points

Replay Points \ SW3	4	3	2	1
(no replay)	OFF	OFF	OFF	OFF
100	OFF	OFF	OFF	ON
200	OFF	OFF	ON	OFF
300	OFF	OFF	ON	ON
400	OFF	ON	OFF	OFF
500	OFF	ON	OFF	ON
600	OFF	ON	ON	OFF
700	OFF	ON	ON	ON
800	ON	OFF	OFF	OFF

(Option Settings)

Table 1

- SW4 ... Switch for changing play pricing
'1/P' position ... 1 coin for 1-PLAYER game
'2/P' position ... 1 coin for 2-PLAYER game

6. Adjustments on TV Monitor

(See Fig. 7)

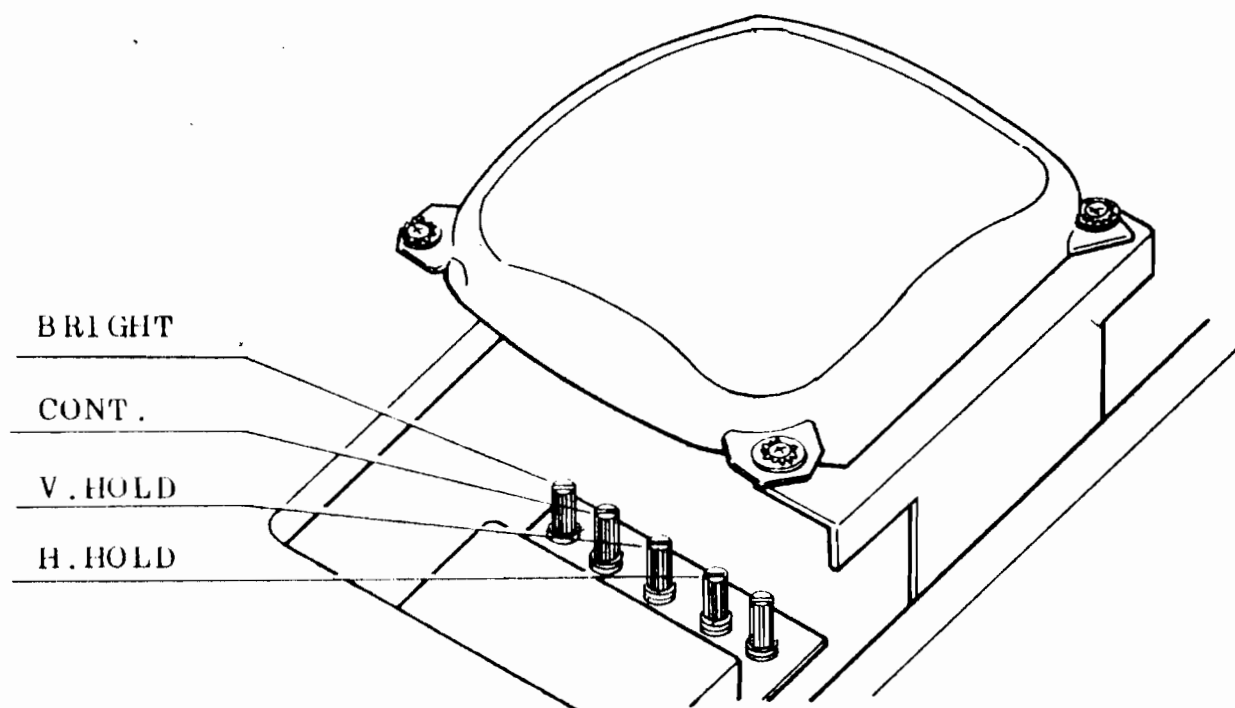


Fig. 7

The TV monitor is properly adjusted prior to shipping, however, if necessary, readjust as follows:

- ° Horizontal Hold

Adjust the H. HOLD control if the TV picture is warped or broken into diagonal lines.

- ° Vertical Hold

Adjust the V. HOLD control if the TV picture rolls vertically across the screen.

- ° Screen Contrast and Brightness

Adjust the CONT. and BRIGHT controls to keep the screen clear.

Note: The TV monitor of Taito ' TABLE BLOCK ' is for exclusive use, therefore, it can not be replaced with other models.

7. Adjustments of Supply Voltage

(See Fig. 8)

If the voltage of the power supply is low, the TV picture sometimes flickers. In that case, change the terminal connection of the power transformer in the machine cabinet. This adjustment can be obtained by the use of change-over switch.

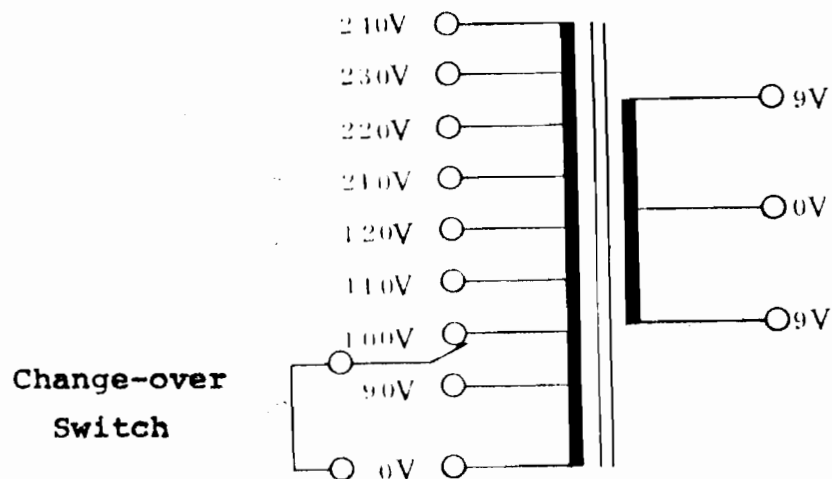


Fig. 8

8. Note for Exchanging Paddle Control Pot

When the paddle control pot is replaced, extremely turn the knob and the pot to the same direction (clockwise or anticlockwise) and turn back the pot approximately 10 degree, then, mount the pot into the knob.

9. How to Position Color Tapes (See Fig. 9)

- (1) Turn the power switch on, then, turn the service switch on.
- (2) Press 2-PLAYER game start button.
- (3) Position color tapes on one side of the screen in alphabetic order as shown below.
- (4) Press serve button to rotate the TV picture, then, position color tapes on the other side of the screen in the same manner as (3).

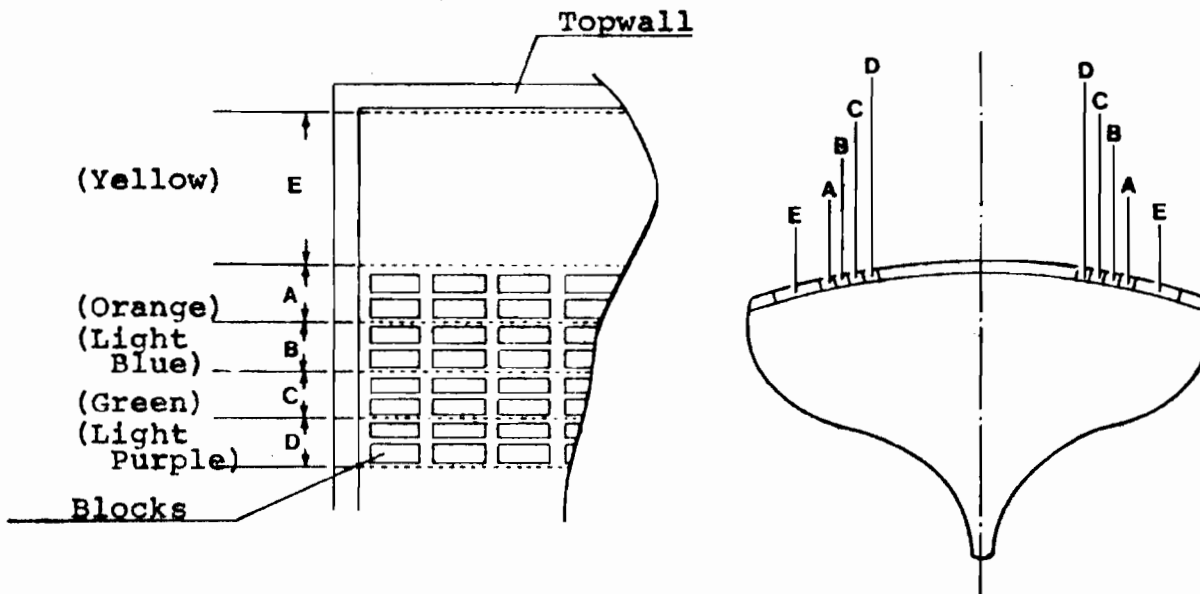
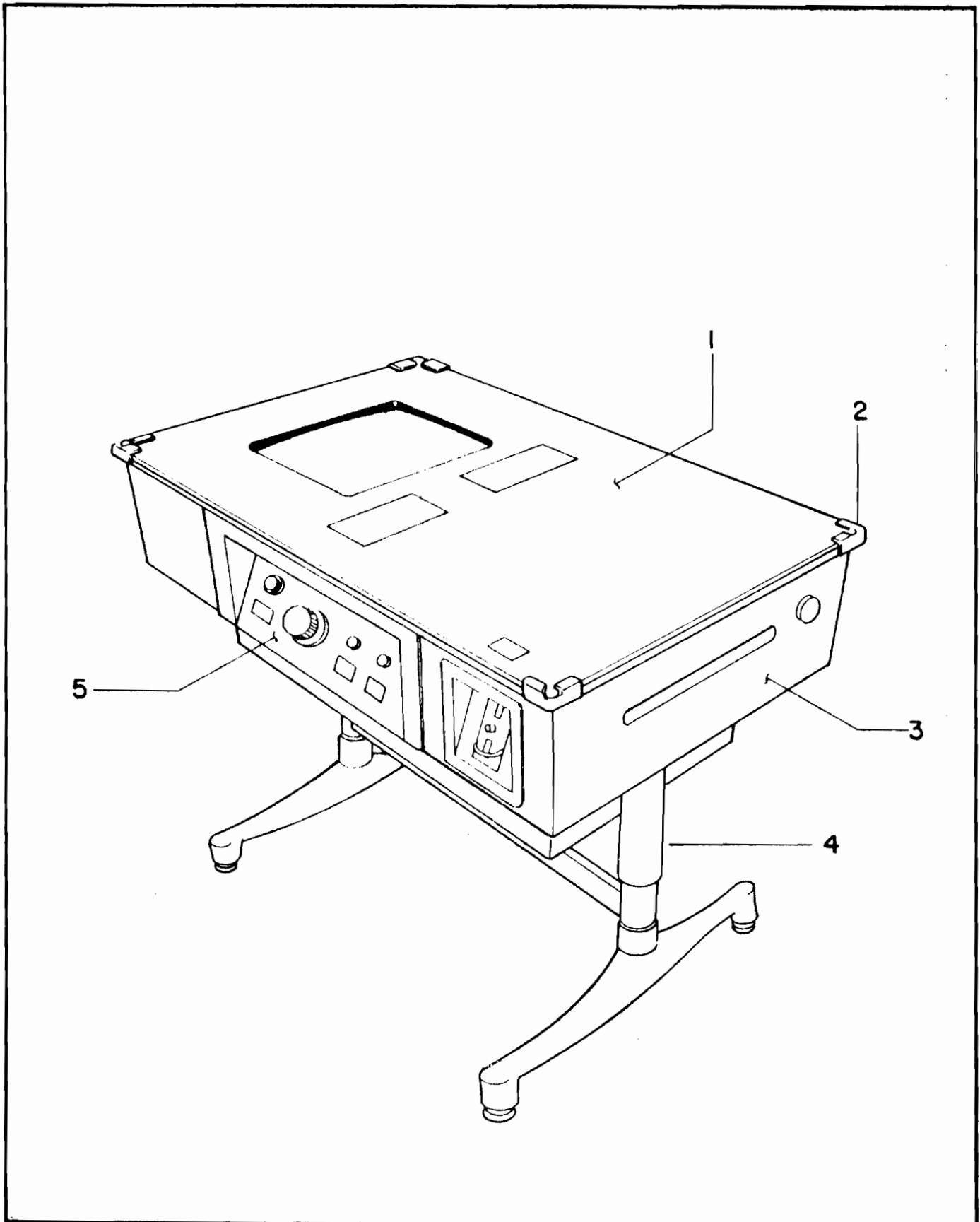


Fig. 9

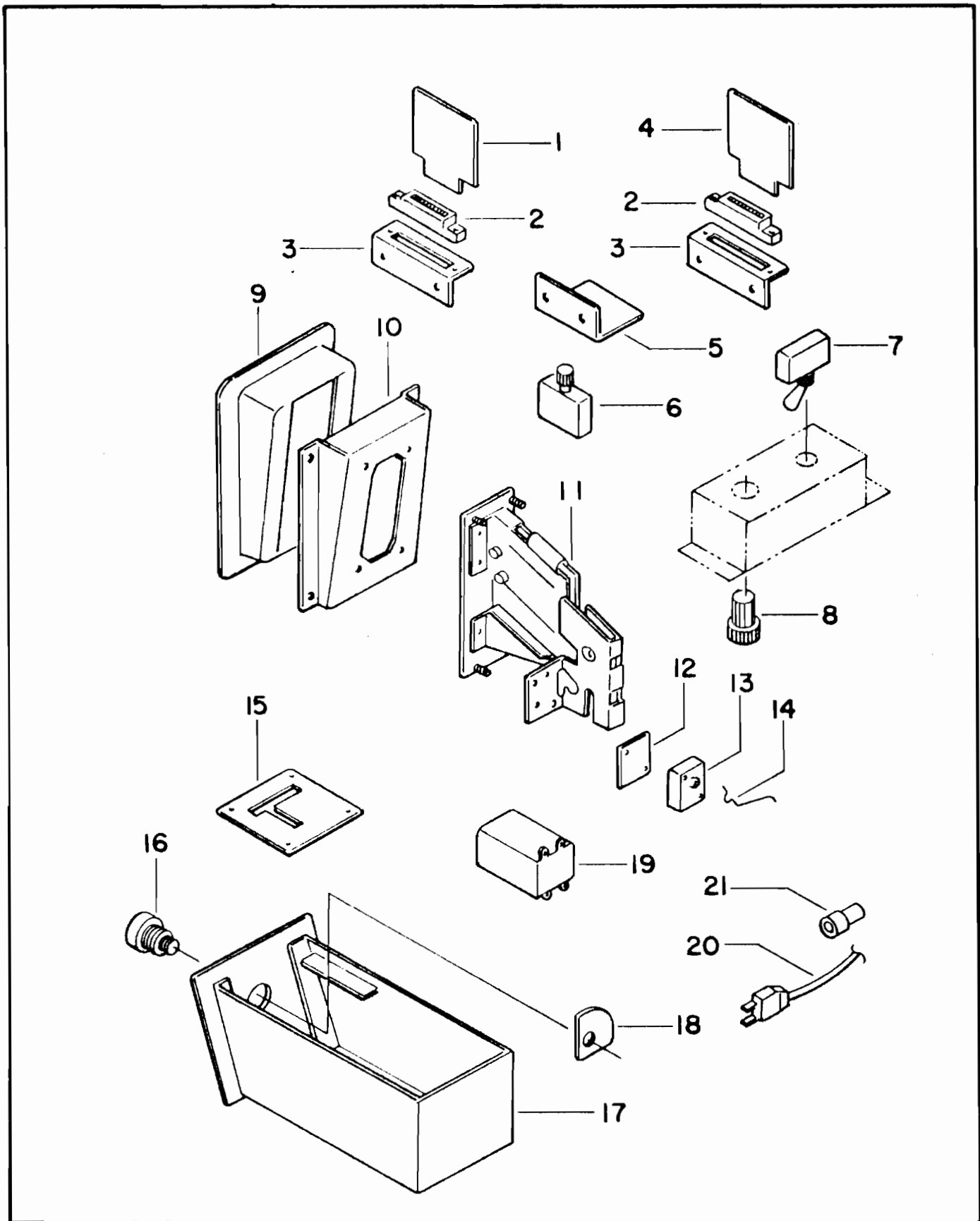
CABINET ACCESSORY ASS'Y

See page 14



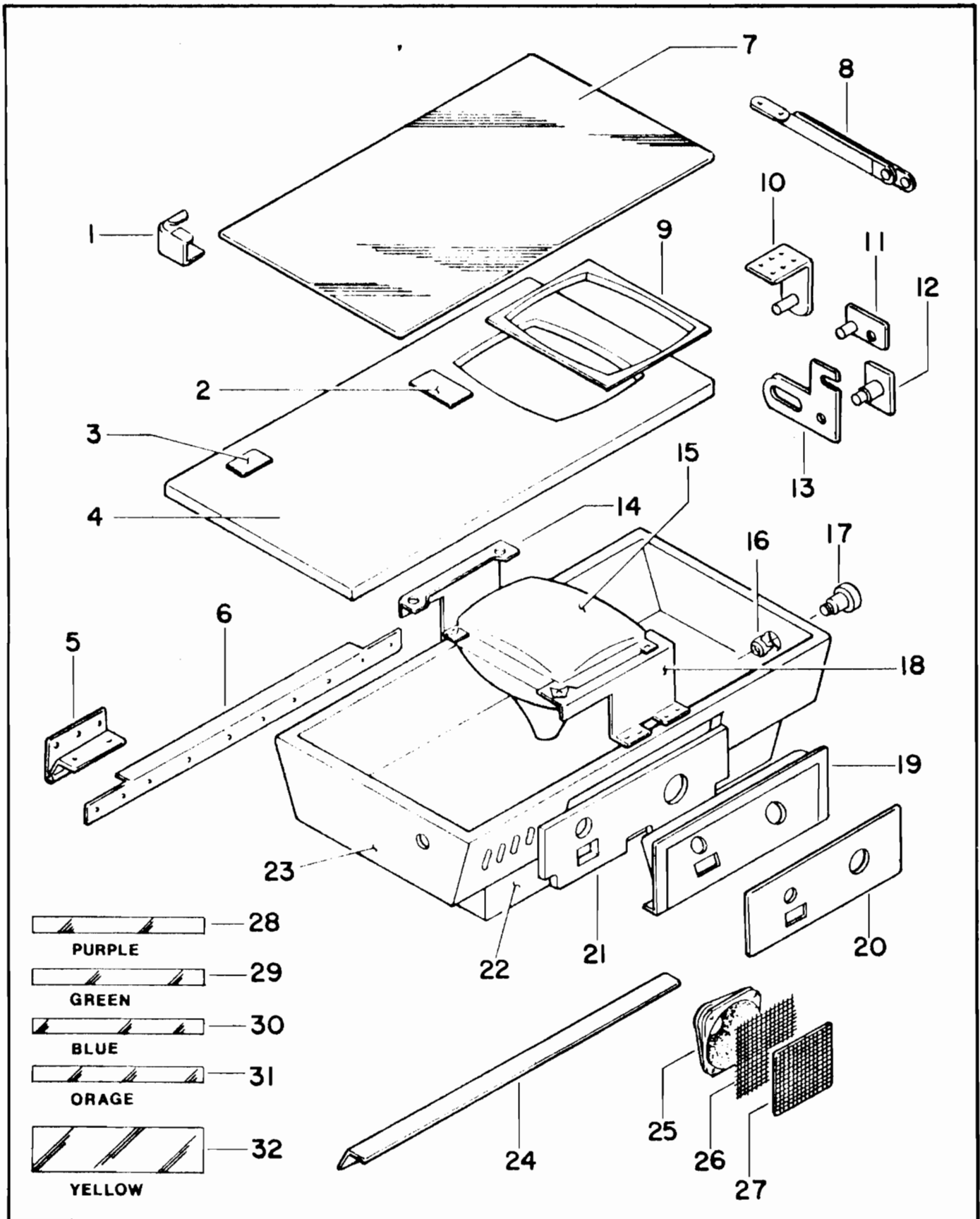
CABINET ASS'Y

See pages 14,15



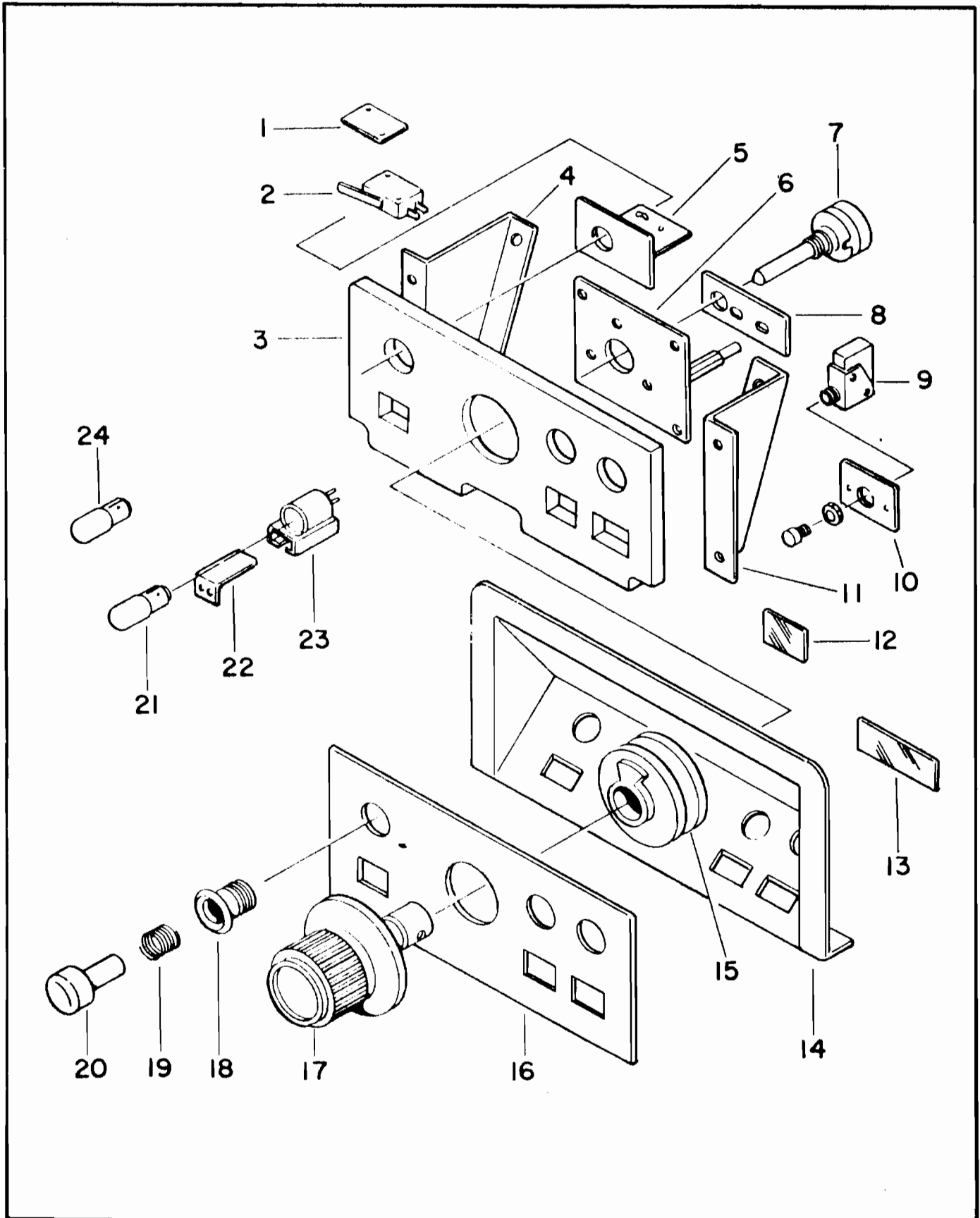
VIDEO AND CABINET ASS'Y

See pages 15,16



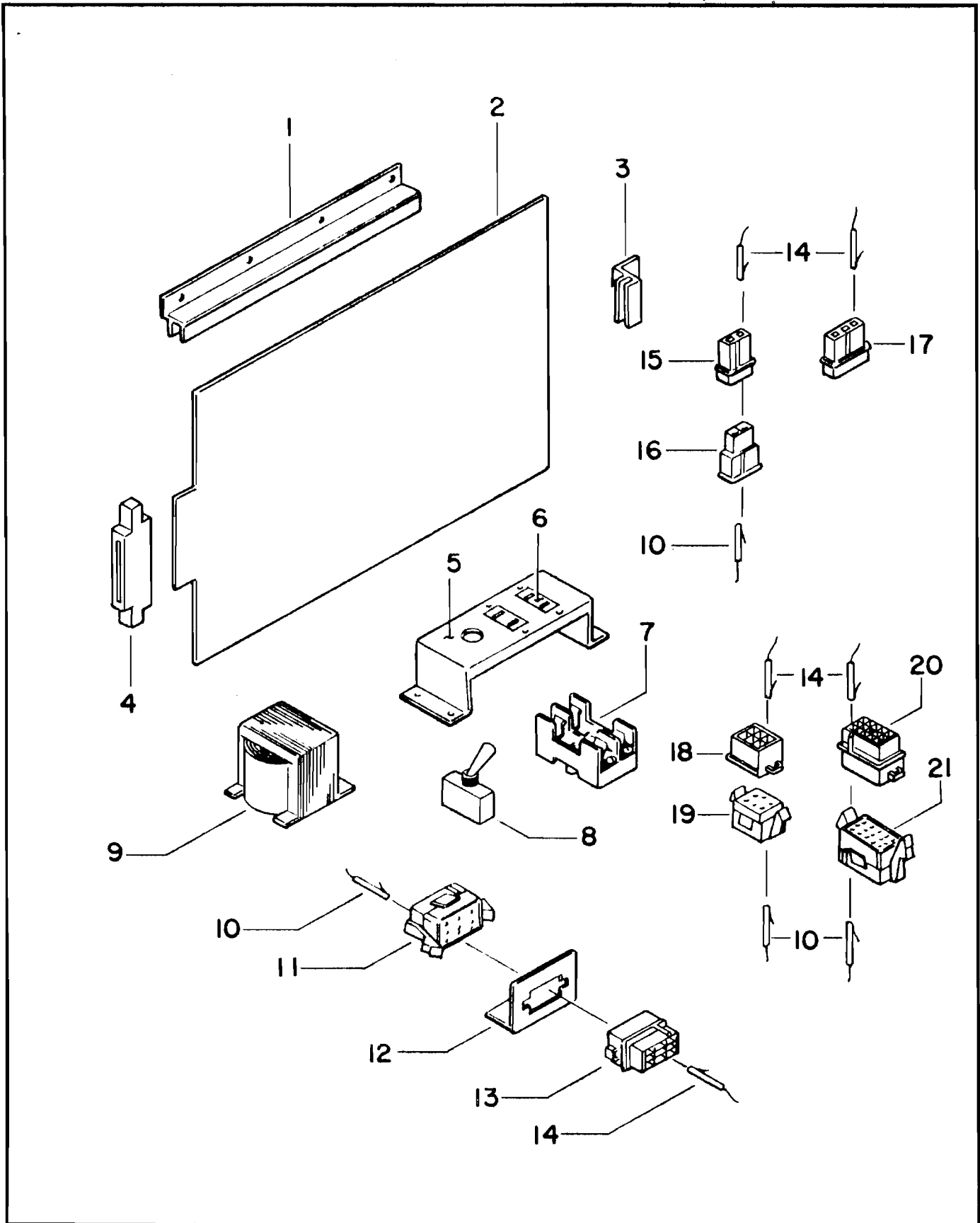
CONTROL PLATE ASS'Y

See pages 16,17



PRINTED BOARD AND REGULATOR ASS'Y

See pages 17,18



CABINET ACCESSORY ASS'Y

Item	Part No	Description
1	TLO 90013	Table Top Glass
2	AAO 13593	Corner Bracket
3	TLO 10004	Table Box
4	AAO 16547	Leg
5	TLO 70002	Control Plate A

CABINET ASS'Y

Item	Part No	Description
1	AAW 50007	Counter Drive P.C. Board Ass'y
2	AAO 55720	Connector
3	AAO 13586	Connector Bracket
4	TLN 00002	Serve Lamp Drive P.C. Board Ass'y
5	AAO 13575	Switch Bracket
6	AAO 52511	Switch
7	AAO 52501	Switch
8	AAO 55784	Fuse Holder
9	AAO 19540	Coin Entry Cover
10	AAO 23504	Rejector Mount Bracket
11	AAO 22537	Rejector
12	AAO 19502	Insulator
13	AAO 52512	Switch
14	AAO 53501	Actuator

15	TWO 30010	Guide Plate
16	AAO 16501	Lock & Key
17	TWO 30009	Cash Box
18	TLO 30005	Lock Plate
19	AAO 51615	Counter
20	AAO 62501	AC Cable & Plug Ass'y
21	AAO 69530	Mold Cord Bush

VIDEO AND CABINET ASS'Y

Item	Part No	Description
1	AAO 13593	Corner Bracket
2	TLO 70006	Instructions Card
3	AAO 29521	Coin Stiker
4	TLO 10005	Table Top Board
5	TWO 60001	Hinge Ass'y
6	TWO 30006	Support Bracket A
7	TLO 90013	Table Top Glass
8	ABO 60004	Hinge Ass'y
9	AAO 19539	Video Mask
10	AAO 13576	Lock Bracket
11	AAO 13571	Lock Plate
12	AAO 13572	Lock Lever Pin
13	AAO 13573	Lock Lever
14	TLO 30002	TV Bracket B
15	TLO 90003	Video

16	AAO 13546	Lock Washer
17	AAO 16544	Lock & Key
18	TLO 30001	TV Bracket A
19	TLO 90002	Control Panel B
20	TLO 70003	Control Plate B
21	TLO 10002	Control Board B
22	TLO 30003	Bottom Box
23	TLO 10004	Table Box
24	TWO 30007	Support Bracket B
25	AAT 71001	Speaker
26	WNO 90007	Net
27	WNO 30015	Ventilator
28	TLO 90010	Color Tape D
29	TLO 90009	Color Tape C
30	TLO 90008	Color Tape B
31	TLO 90007	Color Tape A
32	TLO 90011	Color Tape E

CONTROL PLATE ASS'Y

Item	Part No	Description
1	AAO 19504	Insulator
2	AAO 52531	Switch
3	TLO 10001	Control Board A
4	TWO 30014	Control Board Bracket A
5	BPO 30002	Push Switch Bracket

6	TTO 30008	Potation Meter Bracket
7	AAT 53029	Potation Meter
8	ATO 30004	Plate
9	AAO 52511	Switch
10	SPO 30028	Switch Plate
11	TWO 30015	Control Board Bracket B
12	TLO 70004	Lamp Plate A
13	TLO 70005	Lamp Plate B
14	TLO 90001	Control Panel A
15	TLO 90015	Flat Bearing
16	TLO 70002	Control Plate A
17	TLO 90016	Knob
18	TRO 90013	Push Button Housing
19	BPO 50001	Spring
20	TRO 90012	Push Button
21	AAO 54701	Lamp
22	SPO 30029	Lamp Bracket
23	AAO 55698	Lamp Socket
24	AAO 54704	Lamp

PRINTED BOARD AND REGULATOR ASS'Y

Item	Part No	Description
1	AAO 19592	P.C. Board Guide B
2	TLN 00008	Main P.C. Board Ass'y
3	AAO 19527	P.C. Board Guide A

4	AAO 55774	Connector 44P
5	AAO 13592	Socket Box
6	AAO 55788	AC Socket
7	AAO 55702	Fuse Holder
8	AAO 52535	Switch
9	AAO 57551	Transformer
10	AAO 55790	Mate-N- Lok Socket Pin
11	AAO 55582	Mate-N-Lok Plug 9P
12	AAO 13527	Socket Bracket
13	AAO 55581	Mate-N-Lok Cap 9P
14	AAO 55789	Mate-N-Lok Plug Pin
15	AAO 55501	Mate-N-Lok Cap 2P
16	AAO 55502	Mate-N-Lok Plug 2P
17	AAO 55521	Mate-N-Lok Cap 3P
18	AAO 55561	Mate-N-Lok Cap 6P
19	AAO 55562	Mate-N-Lok Plug 6P
20	AAO 55621	Mate-N-Lok Cap 15P
21	AAO 55622	Mate-N-Lok Plug 15P



TABLE BLOCK

