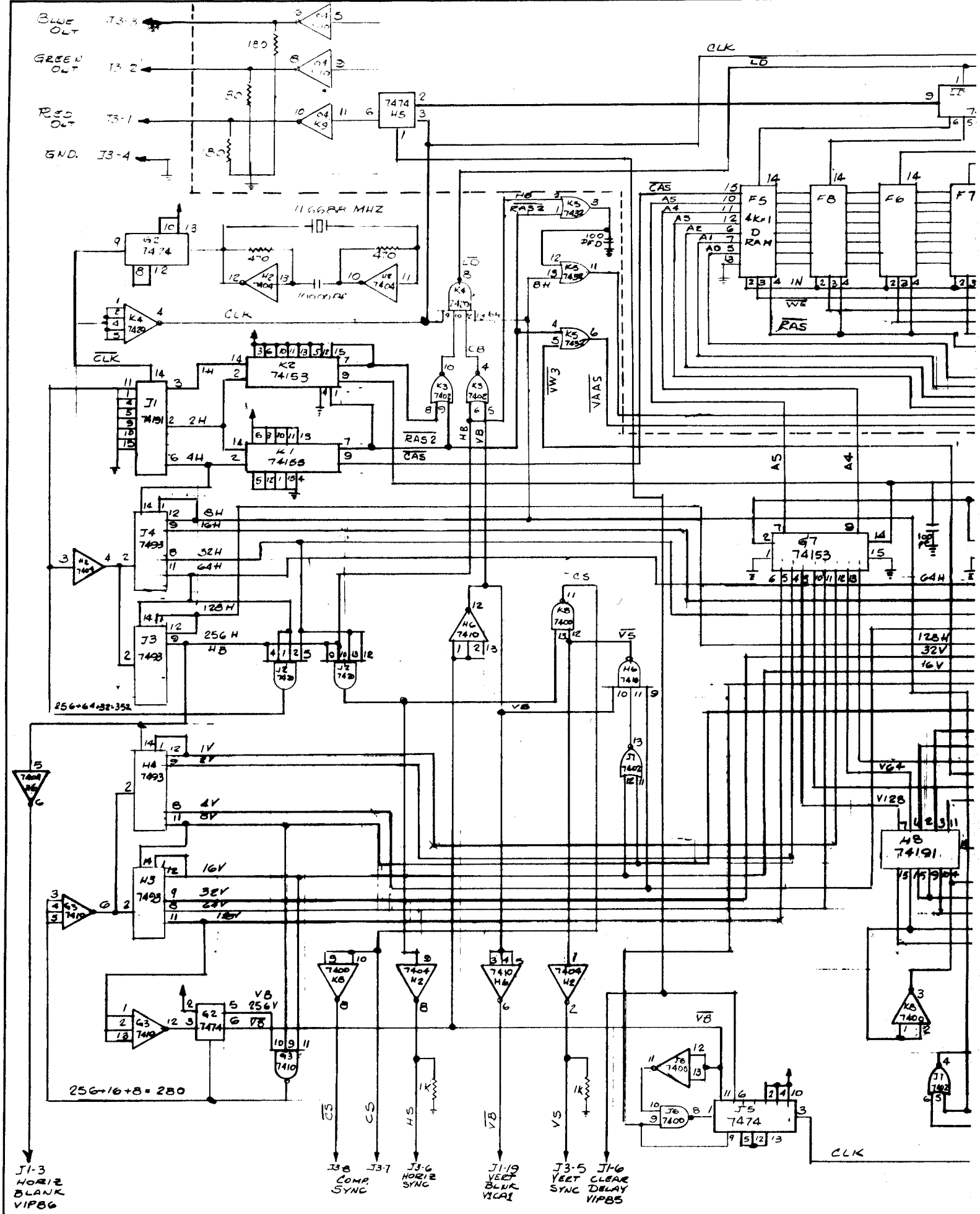


J1-4 WRITE-DELAY
VIPB7

ISSUE	CHANGE	DATE

Used On K405 A PARTS MUST BE CLEAN AND FREE OF BURRS Tolerances Unless Specified Fractional ± 0.15 Decimal ± 0.005 Angles $\pm 1/2$ Screw Threads — Class 2	GAME PLAN Inc. 1515 W. Fullerton Ave Addison, ILL. 60101 Scale _____ Finish _____ Date 20 MAR 81 Amt _____ Mat'l _____ App By _____ Drawing Number 02-700790 VIDEO INTERFACE BOARD SCHEMATIC
---	---



BLUE OUT J3-3
 GREEN OUT J3-2
 RED OUT J3-1
 GND. J3-4

CLK

11.6688 MHZ

CLK

CLK

CAS

AS

AS

AE

AI

AD

AS

AS

AS

AS

AS

AS

AS

AS

AS

AS

AS

AS

AS

AS

AS

AS

AS

AS

AS

AS

AS

AS

AS

AS

AS

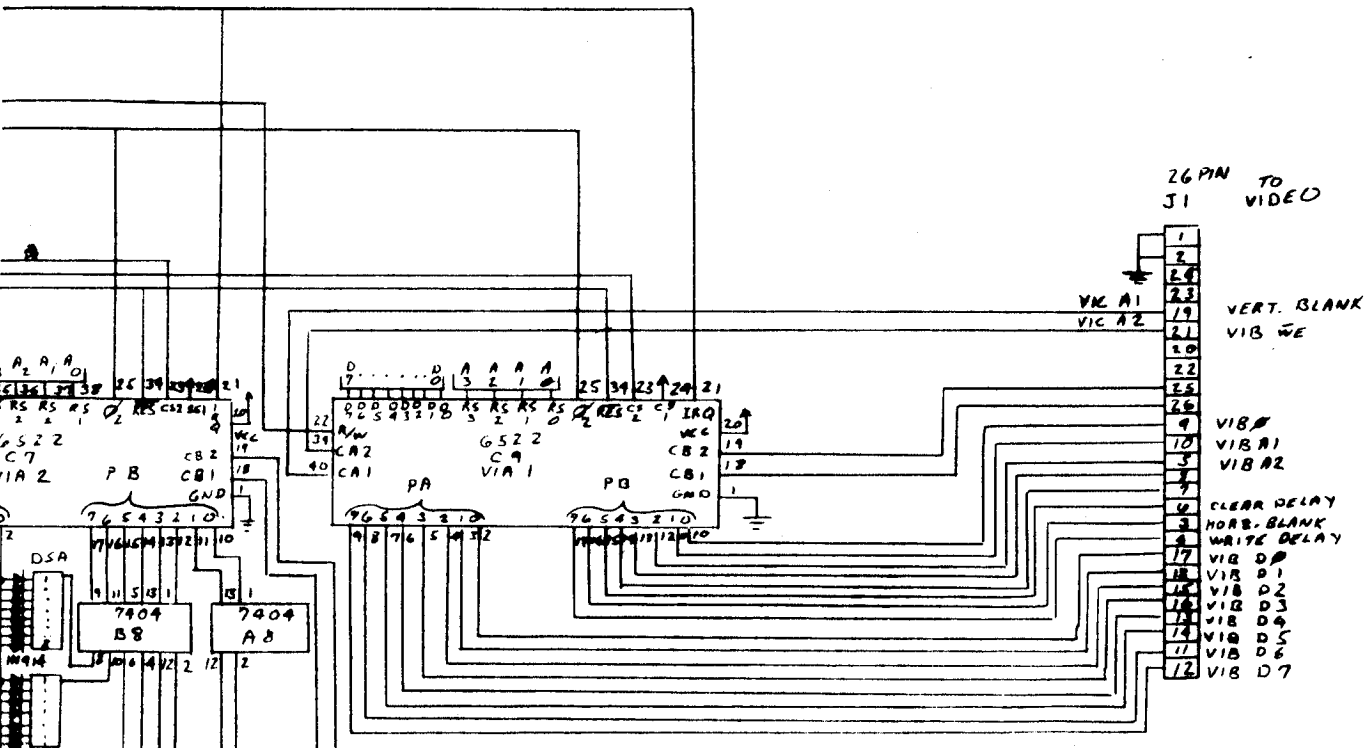
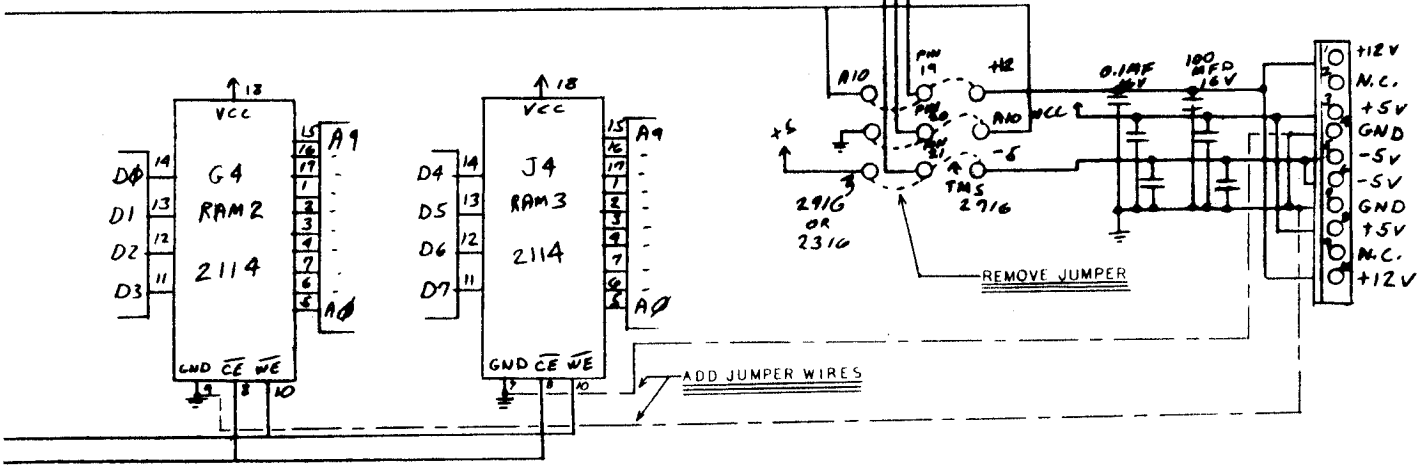
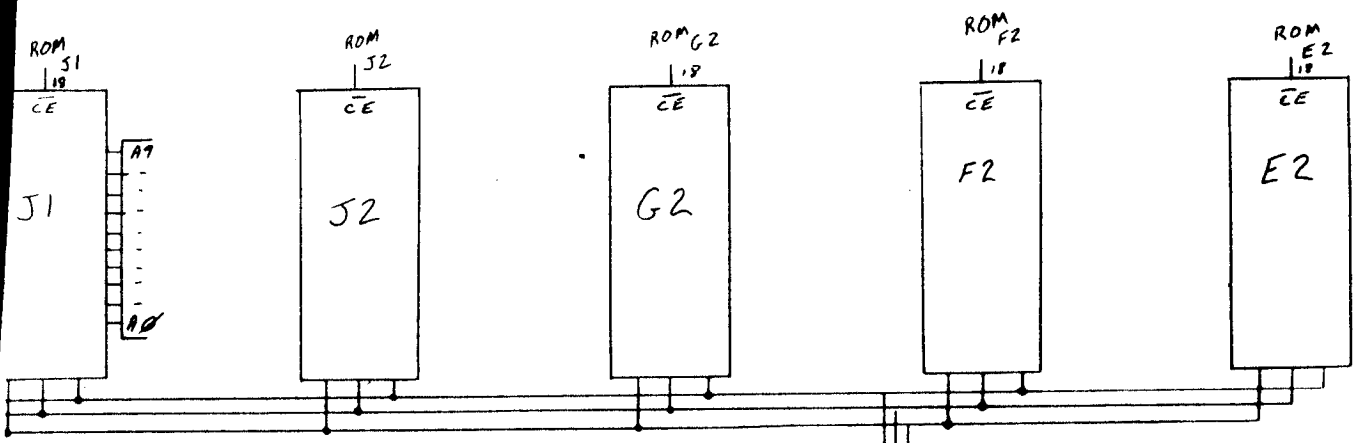
AS

AS

$256 + 64 + 32 + 32$

$256 + 16 + 8 = 280$

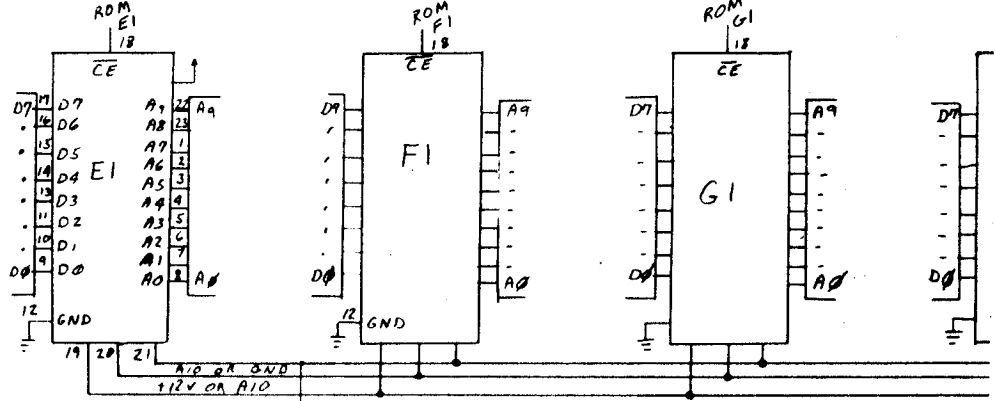
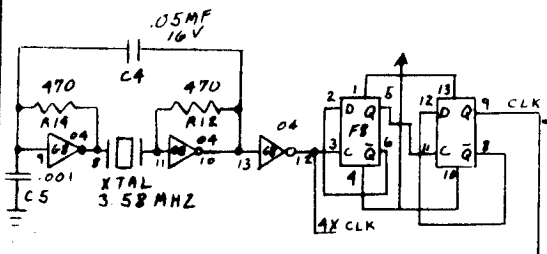
CLK



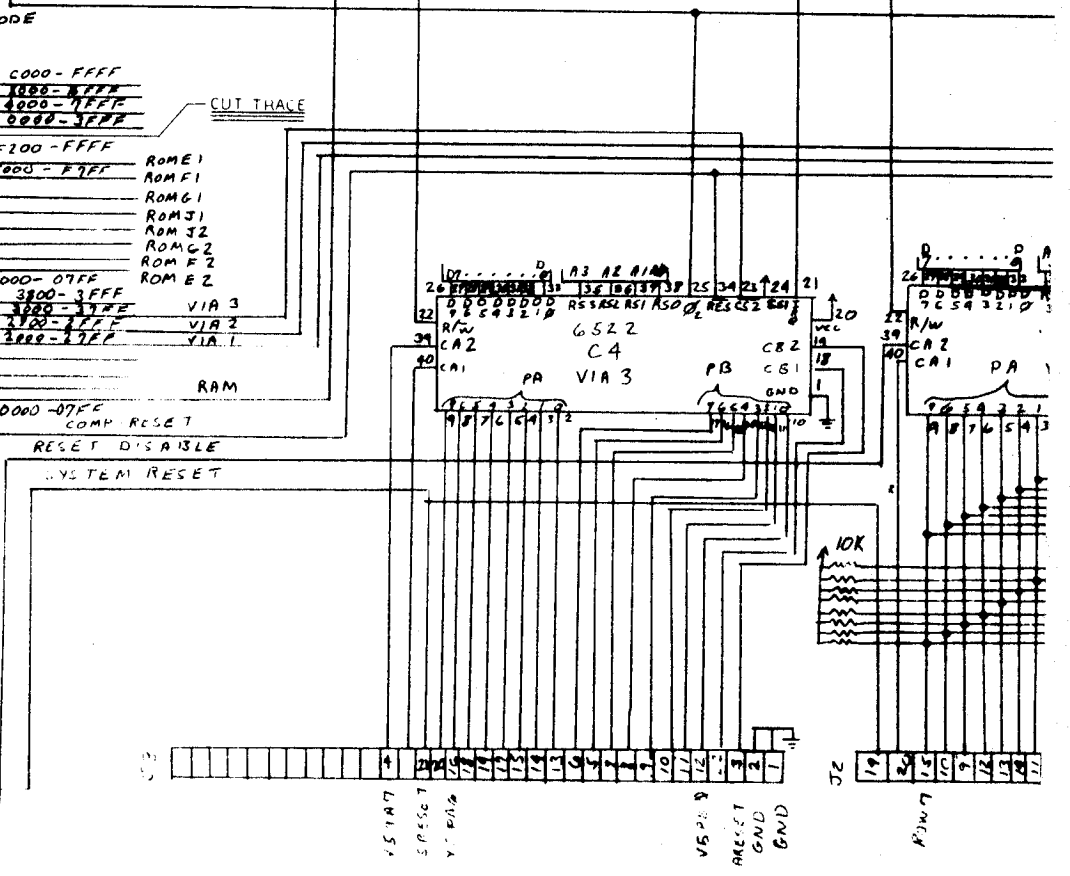
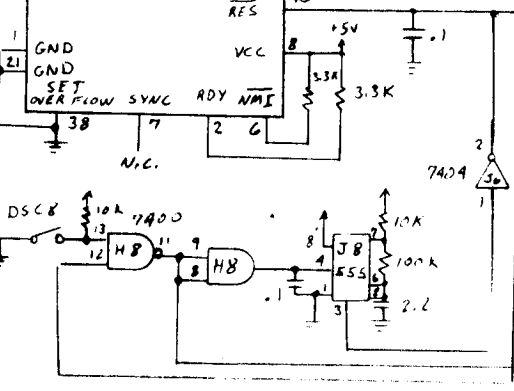
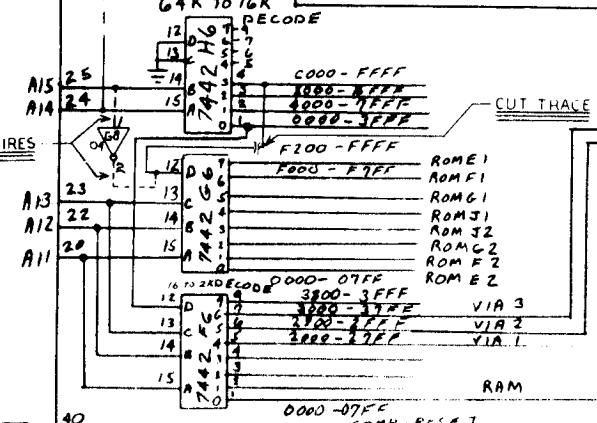
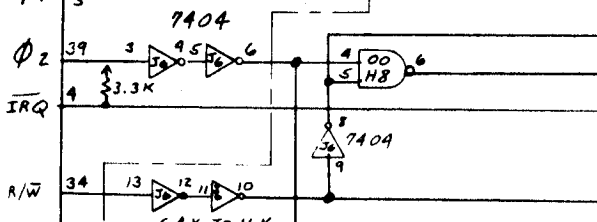
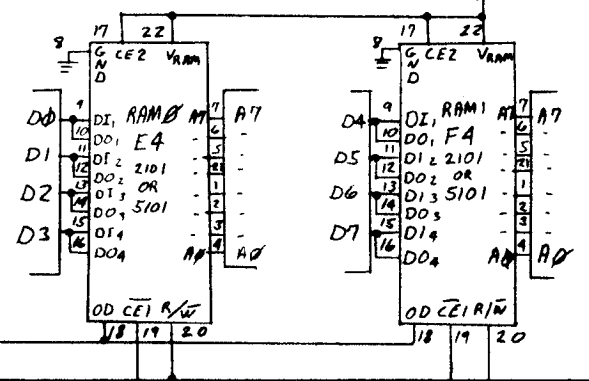
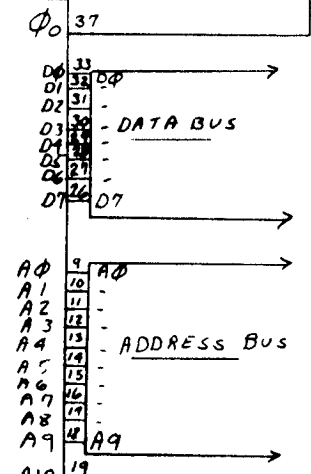
INDICATES CHANGES TO EXISTING BOARDS FOR USE AS KAOS HARDWARE

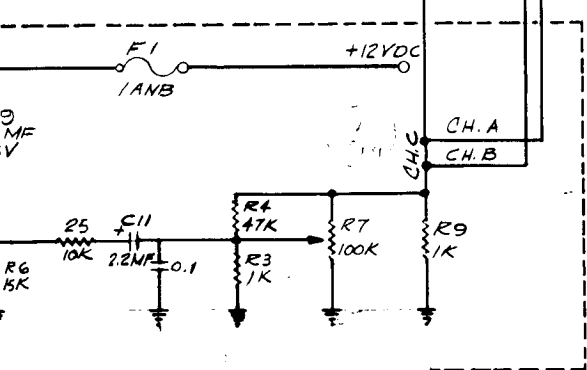
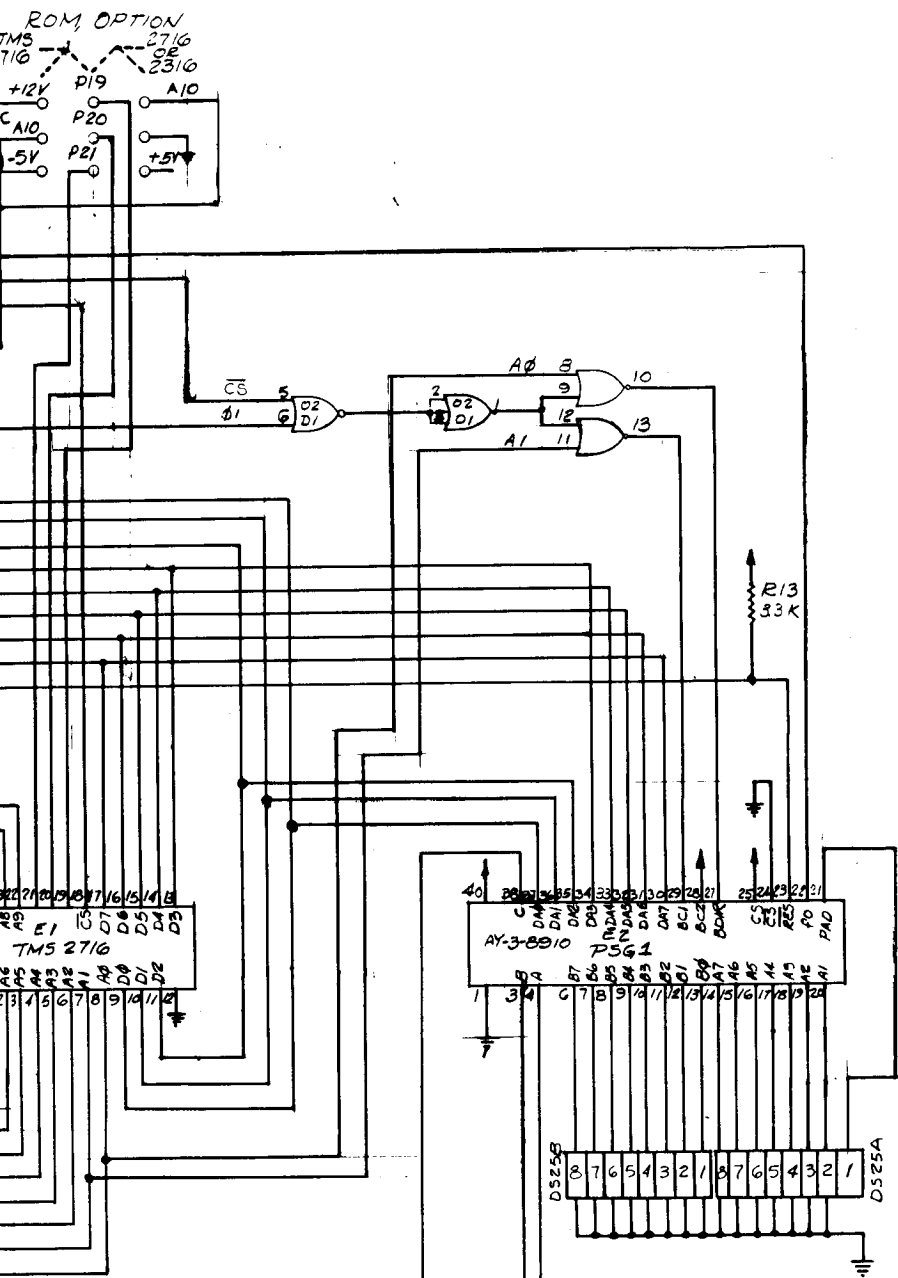
Used On	GAME PLAN Inc. 1515 W. Fullerton Ave Addison ILL. 60101		
PARTS MUST BE CLEAN AND FREE OF BURRS	Scale	Finish	Drawn By <i>JA</i>
Tolerances Unless Specified	Date 3-21-81	App	App B
Fractional ± .015	Drawing Number		02-701070
Decimal ± .005	COMPUTER BOARD		
Angles ± 1/2			
Screw Threads Class 2			

ISSUE	CHANGE	DATE



CPU
E6
6502





210
22PF

ISSUE	CHANGE	DATE

Used On KILLER COMET	GAME PLAN Inc. 1515 W. Fullerton Ave Addison ILL. 60101		
PARTS MUST BE CLEAN AND FREE OF BURRS	Scale	Finish	Drawn By MR
Tolerances Unless Specified	Date 25 MAR 81	App By	
Fractional ----- ± 015	Mat'l	Drawing Number 02-700800	
Decimal ----- ± 005	AUDIO COMPUTER BOARD		
Angles ----- ± 1/2	INCL AUDIO AMP.IFIER		
Screw Threads ----- Class 2			

