

WARNING

- Use of non-Midway parts or circuit modifications may cause serious injury or equipment damage!
- Federal copyright, trademark and patent laws protect this game. Unauthorized modifications may be illegal under Federal law. The modification ban also applies to Midway Games Incorporated and game logos, designs, publications and assemblies. Moreover, facsimiles of Midway equipment (or any feature thereof) may be illegal under federal law, regardless of whether or not such facsimiles are manufactured with Midway components.

WARNING. Prevent shock hazard and assure proper game operation. Plug this game into a properly grounded outlet. Do not use a cheater plug to defeat the power cord's grounding pin. Do not cut off the ground pin.

CAUTION. A very small portion of the population has a condition which may cause epileptic seizures or momentary loss of consciousness when viewing certain kinds of flashing lights or patterns that are present in our daily environment. These persons may experience seizures while watching some kinds of television pictures or playing certain video games. People who have not had any previous seizures may nonetheless have an undetected epileptic condition.

If you or anyone in your family has experienced symptoms linked to an epileptic condition (e.g. seizures or loss of awareness), immediately consult your physician before using any video games.

We recommend that parents observe their children while they play video games. If you or your child experience the following symptoms: dizziness, altered vision, eye or muscle twitching, involuntary movements, loss of awareness, disorientation, or convulsions, DISCONTINUE USE IMMEDIATELY and consult your physician.

CAUTION. Information in this manual is subject to change without notice. Midway reserves the right to make improvements in equipment function, design, or components as progress in engineering or manufacturing methods warrants.

COPYRIGHT & TRADEMARK NOTICE. You may not reproduce any part of this publication by mechanical, photographic, or electronic means. You may not produce phonograph recordings of this document. You may not transmit this publication or otherwise copy it for public or private use, without permission from the publisher.

For Service: Call your Authorized Midway Games West Inc. Distributor.

©1998, 1999 Midway Games West Inc. All rights reserved. MIDWAY® is a trademark of Midway Amusement Games, LLC. Used by permission. GAUNTLET® DARK LEGACY™ is a trademark of Midway Games West Inc.

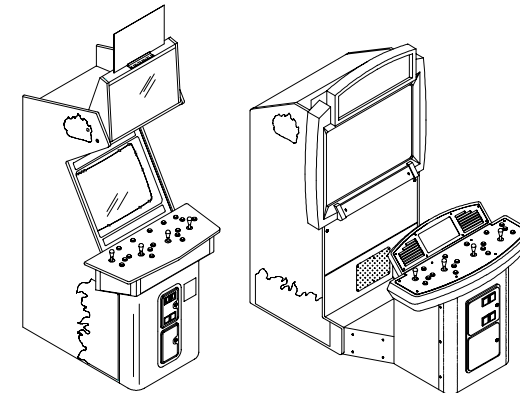
midway games west inc.
675 sycamore drive
milpitas, california 95035
<http://www.midway.com>



MARCH 2000
16-37946-101



UPGRADE KIT FOR 27" AND 39" MODELS



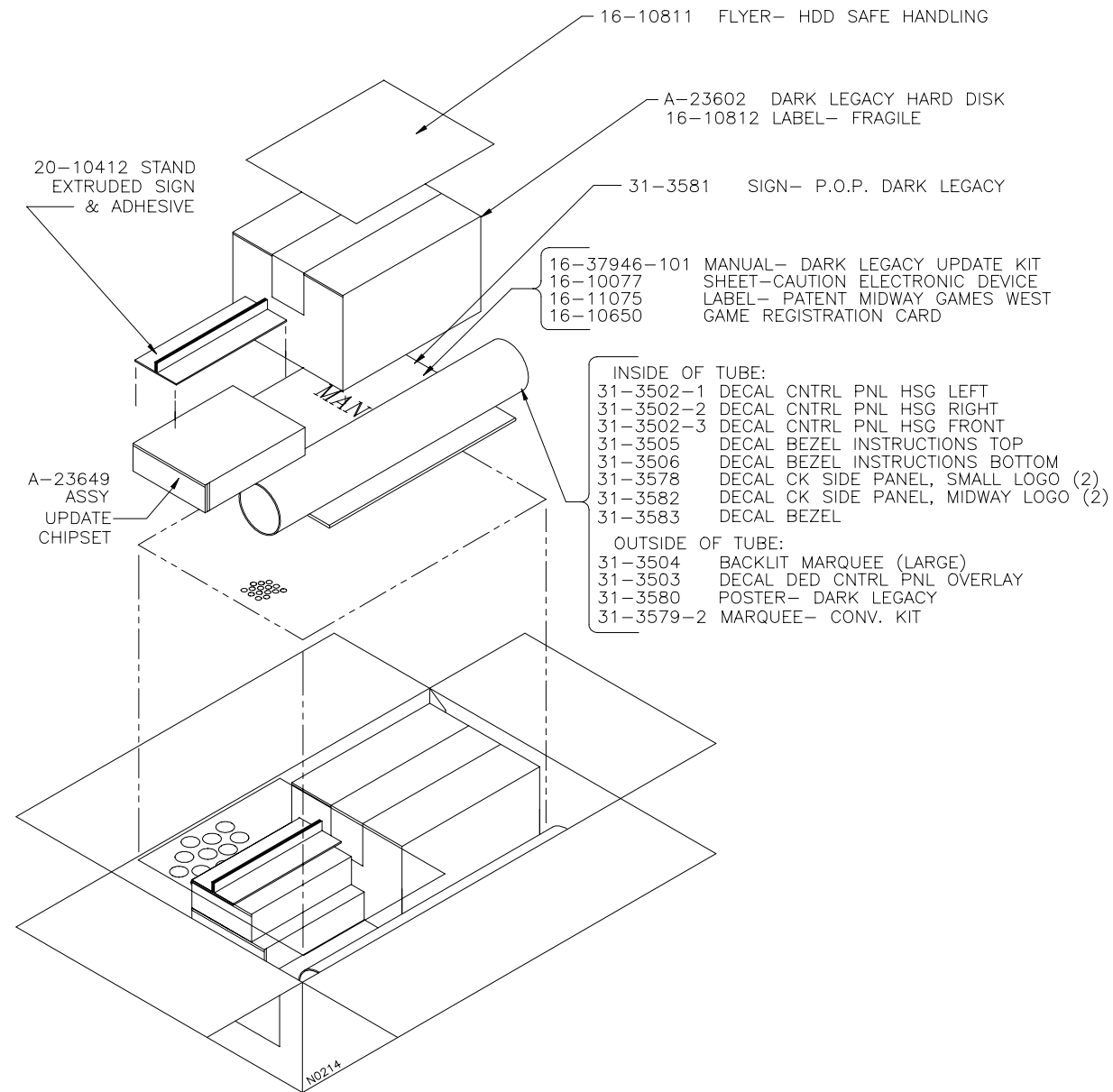
Operations Manual Includes

Safety • Parts • Installation

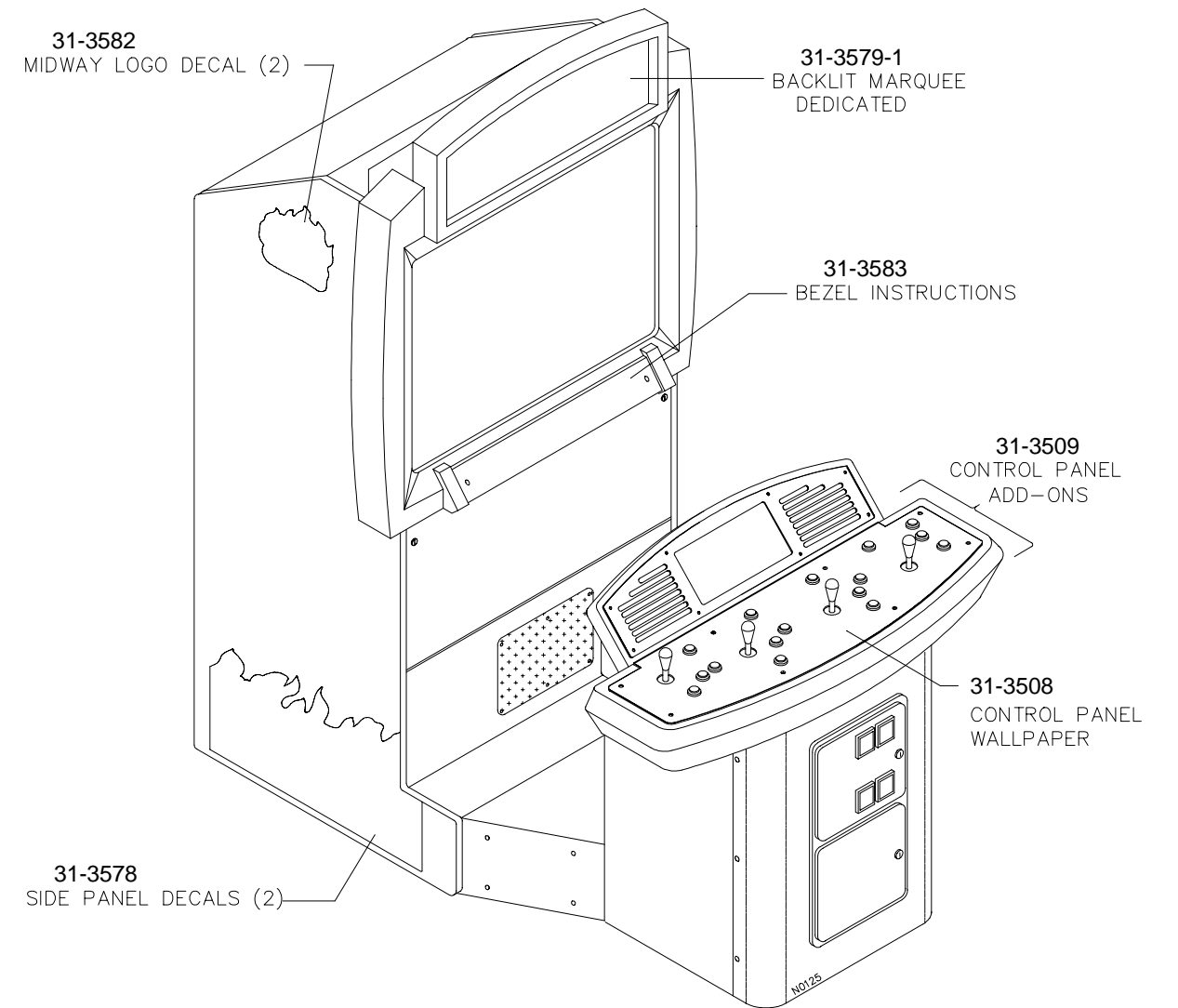
The manufacturer intends that this game is to be operated for amusement purposes only and not in contravention of any federal, state or local law or regulation of the United States or any foreign country governing gaming devices. All operators of this game are responsible for its operation in accordance with such laws and regulations. The manufacturer's factory settings for this game may require adjustment in order to comply with laws applicable in an operator's specific jurisdiction. It is the operator's responsibility to determine whether adjustments are necessary and, if they are, to make the appropriate adjustments prior to operating the amusement game.

midway games west inc.
675 sycamore drive, milpitas, california 95035
<http://www.midway.com>

PACKAGING OF KIT COMPONENTS







DECAL LOCATION ON 39" CABINET



30. On 27" cabinets, line up exposed edge of decal and set it down at the vertical line where wood meets plastic near the Legends logo on left side of cabinet.
31. On 39" cabinets, line up exposed edge of decal with bottom of cabinet. Set decal down on left side panel. Some flames will not touch front edge of cabinet.
32. Carefully remove backing paper and place new decal onto of cabinet. Make location adjustments before exposing flames, as flames are more likely to tear than words.
33. Use dry sponge to flatten decal out as you place it down. Flatten out any air bubbles. Pop any persistent air bubbles with a knife or pin. On 39" cabinets, trim excess decal to fit cabinet.
34. Repeat previous five steps for right side decal.
35. **BEZEL** Reach through coin door to remove attachment bolt wing nuts and release toggle latches. Open control panel.
36. Push viewing glass up just enough to swing it out of the cabinet, then pull it out and down to remove.
37. Peel off existing instructions. Do not remove epilepsy warning. On 27" cabinet, there are two instruction decals. Game play is on the bottom and Items of Legend are on the top. On 39" cabinet, there is one instruction decal.
38. Affix new instruction decal(s) to bezel.
39. **CONTROL PANEL DECALS** Remove switches to all buttons. Mark them for later reattachment.
40. Remove all buttons.
41. Remove tamper-proof screws holding plastic overlay to control panel.
42. Remove control panel overlay.
43. Peel backing off decal and place on top of old decal.
44. Replace control panel overlay and tamper-proof screws.
45. Replace all buttons. Reconnect switches.
46. Replace viewing glass.
47. Remove backing from left control panel decal and place on top of existing decal.
48. Repeat for right control panel decal and front decal.
49. Close and lock control panel.

Safety Notices

	CAUTION: The hard disk drive must be packed in an anti-static bag and in an approved shipping container (P/N 08-8068) in order to be sent in for repair or replacement. Do not stack or drop hard disk drives during installation or removal.
	WARNING. To avoid electrical shock, turn off power switch and disconnect from AC power source before removing or installing any component. After upgrading, ensure all ground wires are secure before restoring power.
	NOTICE. Ensure proper mating of all connectors. If a connector does not slip on easily, do not force. Reversed connectors may damage your machine and void the warranty. Connectors are keyed to fit specific pins on each board. Also note orientation of chips before replacing.
	CAUTION. Electronic assemblies can be damaged by electrostatic discharge. Ground self before touching electronics assemblies by touching power supply.

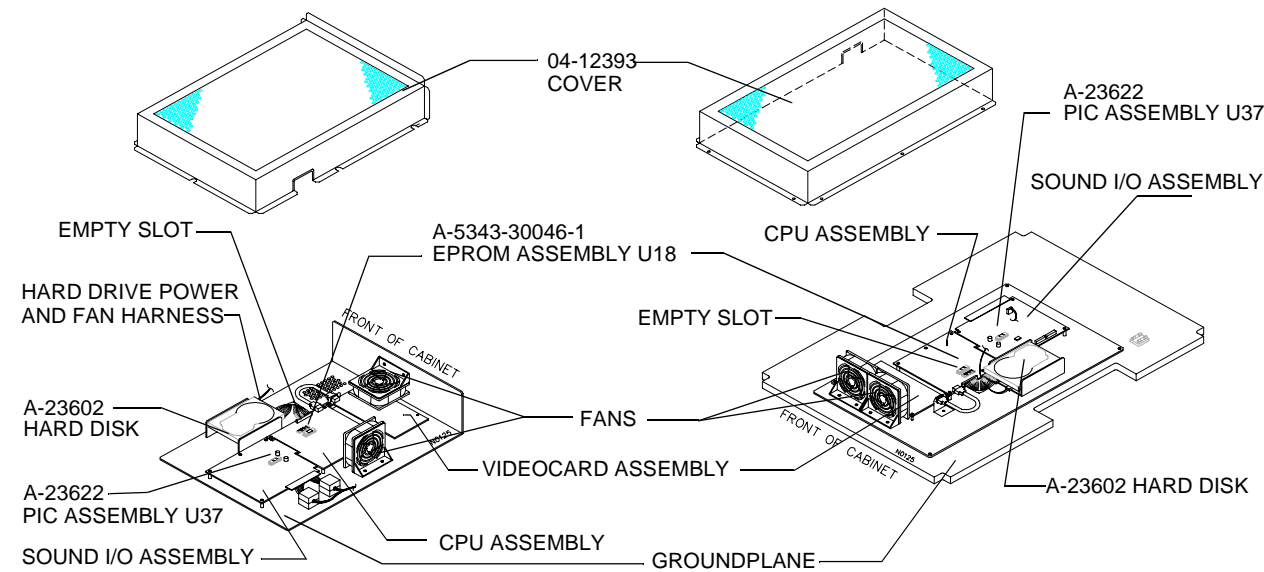
GAUNTLET LEGENDS TO DARK LEGACY

1. Ensure your Gauntlet Legends machine works well. Upgrading will not fix problems with existing equipment. Repair or replace non-functional components. Refer to existing manual for information.
2. Turn off AC power and unplug line cord from outlet.
3. Unpack remainder of box and identify each component.

Electronics <ul style="list-style-type: none"> • A-23622 pic chip • A-5343-30046-1 Boot EPROM • A-23602 Hard disk drive 	Paperwork <ul style="list-style-type: none"> • 16-10650 Registration card • 16-37946-101 Manual
Control Panel Artwork <ul style="list-style-type: none"> • 31-3502-1 Left decal • 31-3502-2 Right decal • 31-3502-3 Center decal • 31-3503 Top overlay • 31-3509 Add-ons 	Marquee Artwork <ul style="list-style-type: none"> • 31-3504 27" screened marquee • 31-3579-2 39" screened marquee • 31-3580 "Check me out" poster • 31-3581 POP display sign • 20-10412 Plastic POP holder
Side Artwork <ul style="list-style-type: none"> • 31-3578 "Dark Legacy" decal (2) • 31-3582 Midway logos (2) 	Bezel Instructions <ul style="list-style-type: none"> • 31-3505 27" Top instructions • 31-3506 27" Bottom instructions • 31-3583 39" Instructions

4. Unlock and remove 27" cabinet rear door or open the 39" cabinet lower front door.
5. Remove screws holding cover on electronics assembly. Remove cover and set aside.
6. Loosen, but do not remove screws on either side of existing hard drive. Disconnect data ribbon cable and power cable from hard drive. Slide drive back and up to remove from bracket channel. Remove screws and set aside. Store hard drive in anti-static bag.

7. Remove new hard drive from its anti-static bag and insert four screws into the sides. Leave screws sticking out about 1/8 inch. Slide new hard drive down and forward in bracket channels. Plug in data ribbon cable and power cable. Tighten screws.
8. **NEW CHIPS** Note orientation of notch on short end of pic assembly chip in U37 and carefully pry it from Sound I/O Assembly. Store in safe place. Do not scratch or bend circuitry while removing chip.
9. Carefully insert new pic chip into open slot on Sound I/O Assembly. Take care not to bend any of the leads. Note orientation of notch on new chip. It must match orientation of previous chip.
10. Repeat previous two steps for boot EPROM in U18 on CPU Board Assembly. Plug in line cord and turn AC power on.



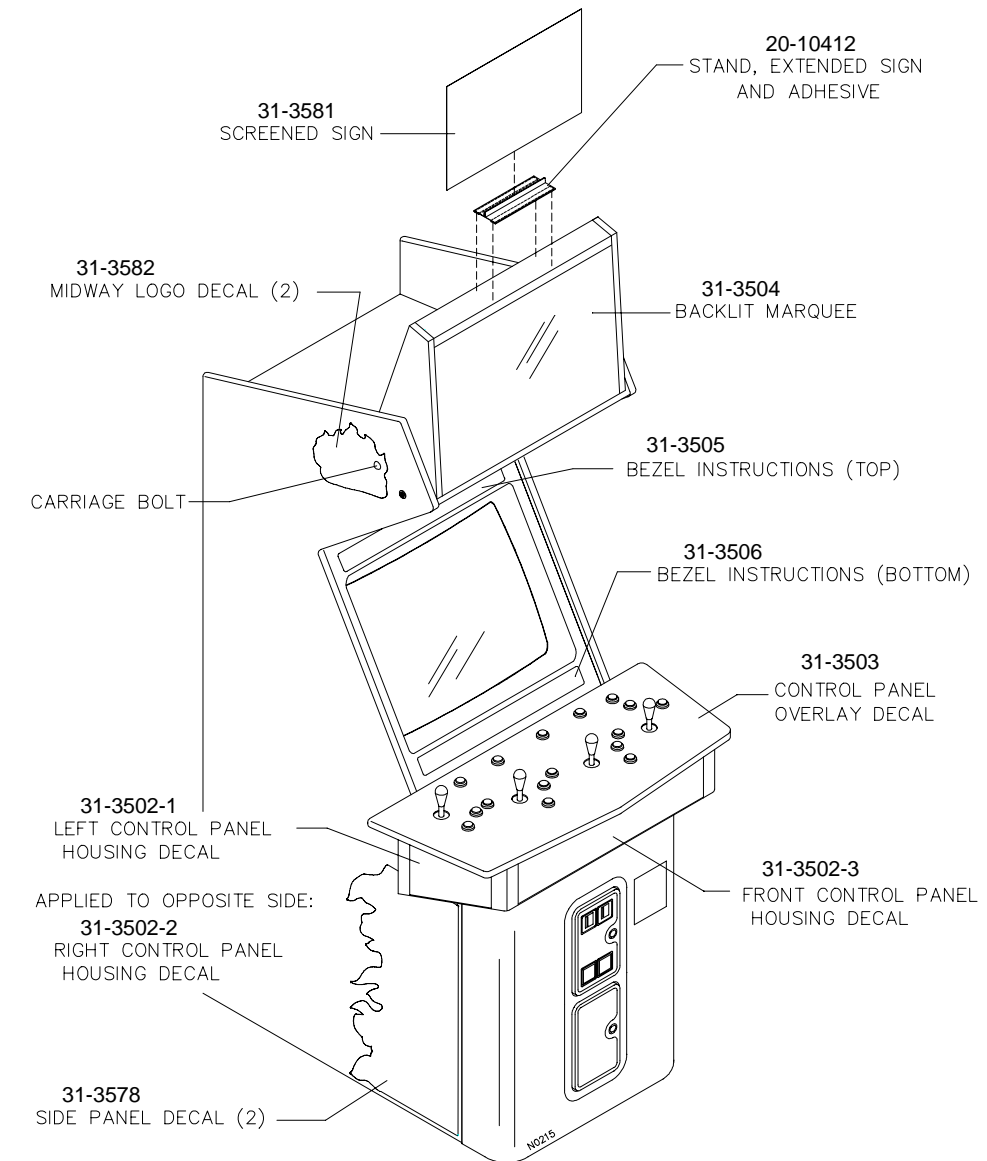
ELECTRONICS ASSEMBLIES (27" AND 39")

11. Ensure new software works properly. Play games, use system software to test controls, sound, etc.
12. Turn off AC power. Ensure marquee light box assembly on 27" cabinet is upright and secure.
13. **LOGO NEAR MARQUEE** On 27" cabinet, remove three screws from marquee top retainer. Remove retainer, marquee glass, and marquee sign. On the 39" cabinet, skip to step 15.

CAUTION. Do not remove carriage bolt unless bolt on other side of marquee is well fastened. Tamper-resistant screws holding marquee upright must also be well fastened. The marquee is heavy and could slide off the cabinet.

14. Remove carriage bolt and washer from left side of cabinet near marquee assembly.
15. Sponge on some soapy water over existing decal where the new decal will go. This will make it easier to slide the new decal into place.
16. Remove backing from logo decal 31-3582. Position it at top of cabinet, over carriage bolt hole.
17. Use a dry sponge or cloth to smooth decal and dry excess soapy water.
18. Replace carriage bolt and tighten.
19. Sponge on some soapy water over existing decal where the new decal will go on right side of cabinet.
20. Remove carriage bolt and washer, as well as tamper-resistant screw and washer from right side of cabinet near marquee assembly.
21. Remove backing from logo decal 31-3582. Position it at top of cabinet, over carriage bolt and screw holes, covering existing logo but avoiding the thumb of the warrior character.

22. Use a dry sponge or cloth to smooth decal and dry excess soapy water.
23. Replace washers, bolt, and screw and tighten.
24. **MARQUEE ARTWORK** Insert new artwork into marquee retaining bracket. For 39" cabinets, remove artwork according to original instructions, trim new artwork to fit and insert into marquee.
25. Replace marquee glass, top retainer, and screws.
26. **POP** For added visibility, slide the POP display artwork ("Check Me Out") into the plastic holder.
27. Remove adhesive backing from bottom of holder and center it on top of marquee top retainer. Or remove adhesive tape and top retainer center screw on 27" cabinet. Then slide the front footing of the holder under the top retainer.
28. **SIDE DECALS** Sponge soapy water over existing decal where the decal will go on the left side.
29. Remove an inch or two of Dark Legacy decal backing paper to reveal some adhesive edge.



DECAL LOCATION ON 27" CABINET