

| REVISIONS | | | | |
|-----------|-----|-------------|------|----------|
| ZONE | LTR | DESCRIPTION | DATE | APPROVED |
| | | | | |

| QTY REQD | | CODE IDENT | | PART OR IDENTIFYING NO. | | NOMENCLATURE OR DESCRIPTION | |
|---|----------|----------------------|--|---------------------------------|--|-----------------------------|--|
| UNLESS OTHERWISE SPECIFIED DIMENSIONS ARE IN INCHES TOLERANCES ARE: | | | | | | | |
| FRACTIONS | DECIMALS | ANGLES | | | | | |
| ± | .XX ± | ± | | | | | |
| MATERIAL | | FINISH | | CONTRACT NO. | | | |
| | | | | DRAWN Joe M. 10/14/76 | | | |
| NEXT ASSY | | USED ON | | CHECKED | | | |
| APPLICATION | | DO NOT SCALE DRAWING | | APPROVALS | | | |
| | | | | DATE | | | |
| | | | | SIZE CODE IDENT NO. DRAWING NO. | | | |
| | | | | D 807-0001B | | | |
| | | | | SCALE NONE SHEET 1 OF 2 | | | |

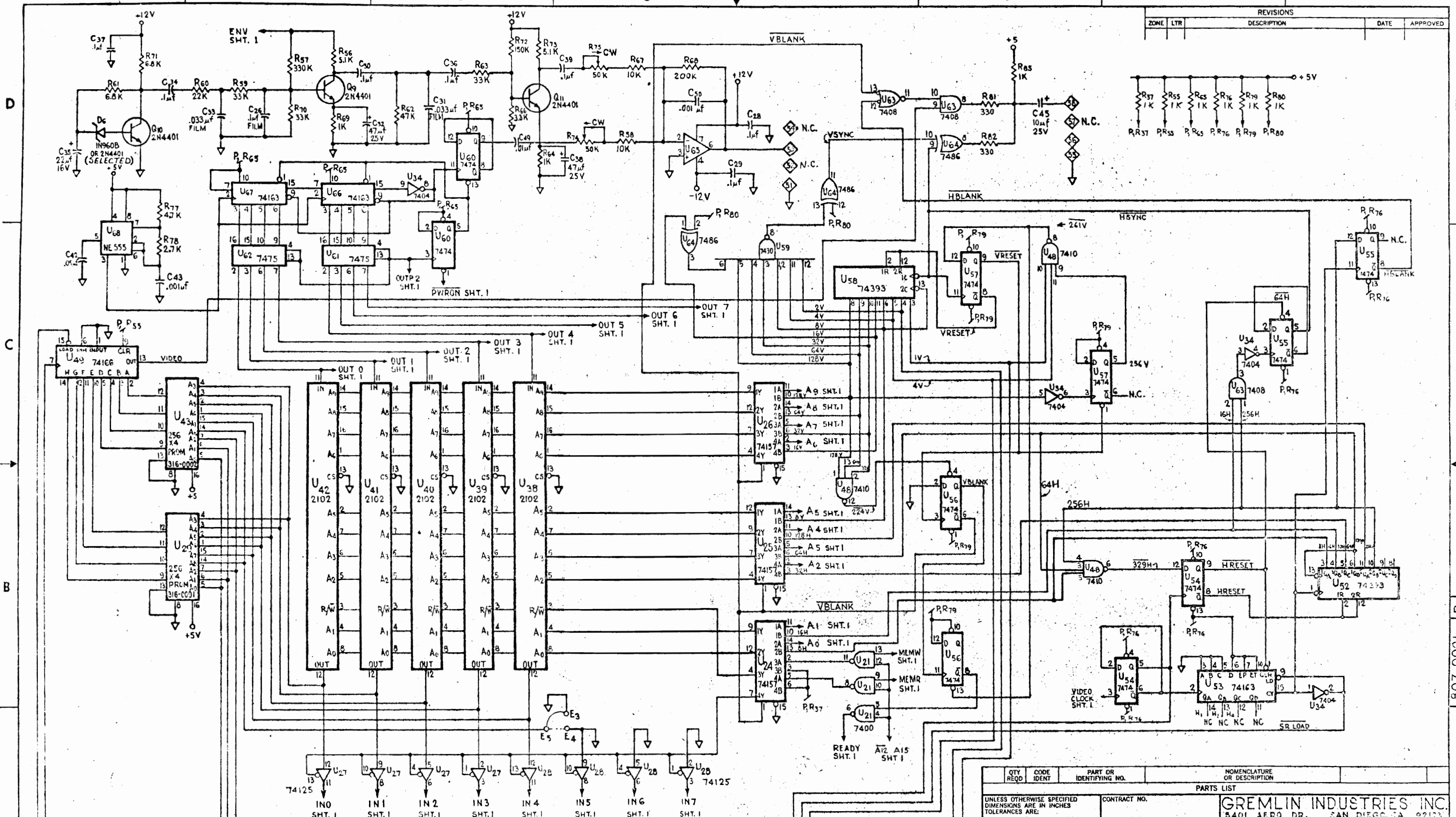
1. ON CONNECTOR PINS 17, 27, 33, 44, 48, 52, 57 ARE PLANK KEYING PINS.
 NOTES:

GREMLIN INDUSTRIES INC.
 8401 AERO DR. SAN DIEGO, CA. 92123

SCHMATIC
 BLOCKADE
 VIDEO LOGIC BOARD

807-0001B

| REVISIONS | | | | |
|-----------|-----|-------------|------|----------|
| ZONE | LTR | DESCRIPTION | DATE | APPROVED |
| | | | | |

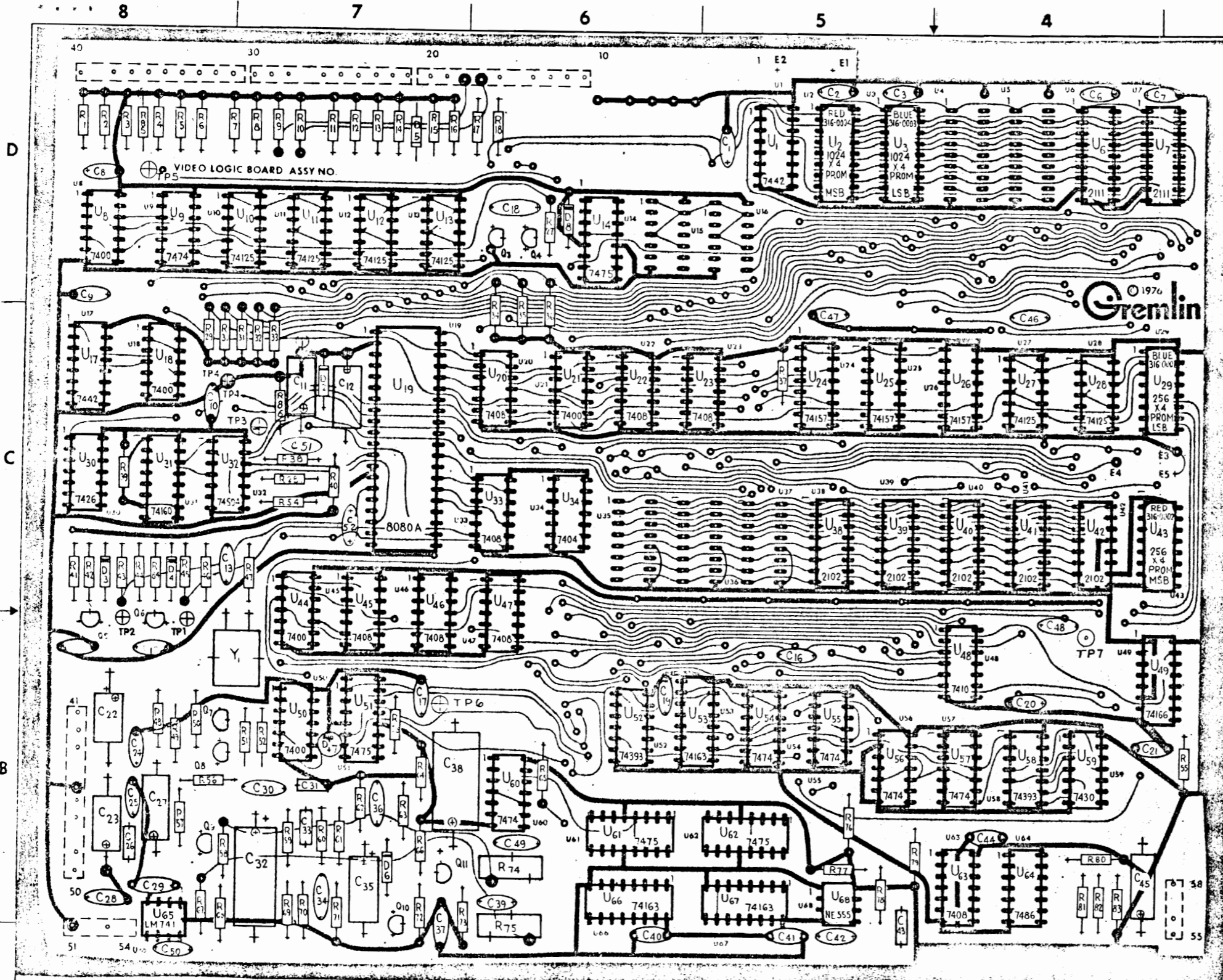


| QTY REQD | CODE IDENT | PART OR IDENTIFYING NO. | NOMENCLATURE OR DESCRIPTION |
|----------|------------|-------------------------|-----------------------------|
| | | | |

| APPROVALS | | DATE |
|-----------|--|------|
| | | |

| CONTRACT NO. | | PARTS LIST | |
|--------------|--|------------------------------------|--|
| | | GREMLIN INDUSTRIES INC. | |
| | | 8401 AERO DR. SAN DIEGO, CA. 92123 | |
| | | SCHEMATIC BLOCKADE | |
| | | VIDEO LOGIC BOARD | |
| | | SIZE CODE IDENT NO. DRAWING NO. | |
| | | D 807-0001B | |
| | | SCALE NONE SHEET 2 OF 2 | |

807-0001B



| | | REVISIONS | | | |
|-----------------------------|-----|-------------|------|------------------------|--|
| ZONE | LTR | DESCRIPTION | DATE | APPROVED | |
| TP1-TP7 | 7 | 211 - 0004 | | TEST POINT PINS | |
| Y | 1 | 230 - 0006 | | XTAL 20.790 MHZ CLK | |
| U1-U3 (REF ONLY) | 2 | 213 - 0002 | | SKT. 18 PIN DUAL INLN | |
| | 2 | 212 - 0004 | | CONN. MALE 4 PIN | |
| | 4 | 212 - 0003 | | CONN. MALE 10 PIN | |
| PCB1 | 1 | 170 - 0057A | | PCB B/A LOGIC | |
| Q6 | 1 | 482 - 0006 | | XISTOR 2N 4403 | |
| Q4-Q7-Q9-Q11 | 7 | 482 - 0014 | | XISTOR 2N 4401 | |
| Q3 | 1 | 482 - 0010 | | XISTOR PE 8050 | |
| D7 | 1 | 390 - 0003 | | L.E.D. RED | |
| D6 | 1 | 481 - 0003 | | DIODE ZENER IN960 B | |
| D5 | 1 | 481 - 0001 | | DIODE IN 4002 | |
| D2 | 1 | 481 - 0008 | | DIODE ZENER IN5231 | |
| D8 | 1 | 481 - 0006 | | DIODE IN914 OR IN4148 | |
| C43 | 1 | 152 - 0007 | | CAP. F. .001 M 250 V | |
| C32-C38 | 2 | 150 - 0012 | | CAP. F. .47 M 25 V | |
| C31-C33 | 2 | 152 - 0015 | | CAP. F. .033 M 250 V | |
| C1-C27-C35 | 3 | 150 - 0015 | | CAP. E. 22 M 16 V | |
| C26 | 1 | 152 - 0001 | | CAP. F. .1 M 100 V | |
| C10-C22-C23-C45 | 4 | 150 - 0004 | | CAP. E. 10 M 25 V | |
| C50 | 1 | 151 - 0008 | | CAP. CER. .001 M 50 V | |
| C49-C51 | 2 | 151 - 0011 | | CAP. CER. .01 M 50 V | |
| C28-C30-C34-C36-C37-C39-C40 | 8 | 151 - 0012 | | CAP. CER. .1 M 50 V | |
| C13 | 1 | 151 - 0005 | | CAP. CER. 680 P 50 V | |
| C46-C48-C52 | 7 | 151 - 0001 | | CAP. CER. .05 M 50 V | |
| C6-C10-C15-C19-C42-C44 | 10 | 151 - 0001 | | CAP. CER. .05 M 50 V | |
| C7-C13-C14-C17-C18-C20-C24 | 11 | 151 - 0001 | | CAP. CER. .05 M 50 V | |
| R74-R75 | 2 | 475 - 0008 | | RES. 50 K OHM CTS | |
| R68 | 1 | 471 - 0224 | | RES. 220 K OHM V2 W 5% | |
| R58 | 1 | 471 - 0222 | | RES. 22 K OHM V2 W 5% | |
| R76 | 1 | 471 - 0272 | | RES. 27 K OHM V2 W 5% | |
| R62 | 1 | 471 - 0473 | | RES. 47 K OHM V2 W 5% | |
| R72 | 1 | 471 - 0154 | | RES. 150 K OHM V2 W 5% | |
| R77 | 1 | 471 - 0472 | | RES. 47 K OHM V2 W 5% | |
| R61-R71 | 2 | 471 - 0682 | | RES. 68 K OHM V2 W | |
| R59-R63-R66-R70 | 4 | 471 - 0333 | | RES. 33 K OHM V2 | |
| R57 | 1 | 471 - 0334 | | RES. 330 K OHM V2 | |
| R53 | 1 | 471 - 0101 | | RES. 100 OHM V2 | |
| R52 | 1 | 471 - 0471 | | RES. 470 OHM V2 | |
| R49 | 1 | 471 - 0150 | | RES. 15 OHM V2 | |
| R48-R51-R56-R73 | 4 | 471 - 0512 | | RES. 51 K OHM V2 | |
| R46-R47-R61-R62 | 4 | 471 - 0331 | | RES. 330 OHM V2 | |
| R43-R45 | 2 | 471 - 0220 | | RES. 22 OHM V2 | |
| R41-R28-R44-R54-R56 | 5 | 471 - 0221 | | RES. 220 OHM V2 | |
| R56-R67 | 2 | 471 - 0103 | | RES. 10 K OHM V2 | |
| R29-R36-R60 | 9 | 471 - 0223 | | RES. 22 K OHM V2 | |
| R27-R80-R83-R41-R44 | 5 | 471 - 0102 | | RES. 1 K OHM V2 | |
| R64-R65-R69-R76-R79-R85 | 6 | 471 - 0102 | | RES. 1 K OHM V2 | |
| R1-R16-R17-R39-R40-R50-R55 | 23 | 471 - 0102 | | RES. 1 K OHM V2 W 5% | |
| U3 | 1 | 316 - 0003 | | I.C. 1024 X4 PROM LSB | |
| U43 | 1 | 316 - 0002 | | I.C. 256 X4 PROM MSB | |
| U38-U42 | 5 | 315 - 0015 | | I.C. 2102 RAM (500 NS) | |
| U6-U7 | 2 | 315 - 0018 | | I.C. 2111 RAM (500 NS) | |
| U68 | 1 | 314 - 0001 | | I.C. TIMER NE 555 | |
| U65 | 1 | 313 - 0004 | | I.C. LM741 | |
| U64 | 1 | 314 - 0022 | | I.C. 7486 | |
| U59 | 1 | 314 - 0020 | | I.C. 7430 | |
| U53-U66-U67 | 3 | 314 - 0038 | | I.C. 74163 | |
| U52-U58 | 2 | 314 - 0030 | | I.C. 74393 | |
| U49 | 1 | 314 - 0039 | | I.C. 74166 | |
| U48 | 1 | 314 - 0010 | | I.C. 7410 | |
| U14-U51-U61-U62 | 4 | 314 - 0021 | | I.C. 7475 | |
| U34 | 1 | 314 - 0015 | | I.C. 7404 | |
| U32 | 1 | 314 - 0046 | | I.C. 74504 | |
| U31 | 1 | 314 - 0032 | | I.C. 74160 | |
| U30 | 1 | 314 - 0031 | | I.C. 7426 | |
| U29 | 1 | 316 - 0001 | | I.C. 256 X4 PROM LSB | |
| U24-U26 | 3 | 313 - 0029 | | I.C. 74157 | |
| U20-U22-U23-U24-U25-U26 | 8 | 314 - 0012 | | I.C. 7408 | |
| U19 | 1 | 315 - 0014 | | I.C. 8080A CPU | |
| U10-U13-U27-U28 | 6 | 314 - 0017 | | I.C. 74125 | |
| U9-U54-U57-U60 | 6 | 314 - 0006 | | I.C. 7474 | |
| U8-U16-U21-U44-U50 | 5 | 314 - 0009 | | I.C. 7400 | |
| U2 | 1 | 316 - 0004 | | I.C. 1024 X4 PROM MSB | |
| U1-U7 | 2 | 314 - 0011 | | I.C. 7442 | |

| ITEM NO. | QTY. | PART OR IDENTIFYING NO. | NOMENCLATURE OR DESCRIPTION |
|---|----------|-------------------------|-----------------------------|
| PARTS LIST | | | |
| UNLESS OTHERWISE SPECIFIED DIMENSIONS ARE IN INCHES TOLERANCES ARE: | | | |
| FRACTIONS | DECIMALS | ANGLES | |
| | XX ± | ± | |
| | .XXX ± | | |

| | | | |
|-------------------|---------|--|--|
| CONTRACT NO. | | GREMLIN INDUSTRIES INC. | |
| | | 8401 AERO DR. SAN DIEGO, CA. 92123 | |
| APPROVALS | DATE | VIDEO LOGIC BOARD BLOCKADE PARTS OVERLAY | |
| DRAWN Joe M. | 11-5-76 | | |
| CHECKED | | SIZE CODE IDENT NO. DRAWING NO. | |
| | | D 807-0001B | |
| NEXT ASSY USED ON | | SCALE 2 X | |
| APPLICATION | | SHEET 1 OF 1 | |

7. ON CONNECTOR PINS 15 27 39 44 48 52 54 57 ARE BLANK KEYING PINS.
 6. OMIT U4-U5-U15-U16-U35-U36-U37 R19-R26 C4-C5 Q1-Q2 D1-D3-D4
 5. LAST D NO. USED D8
 4. LAST C NO. USED C52
 3. LAST Q NO. USED Q11
 2. LAST R NO. USED R66
 1. LAST U NO. USED U68

NOTES:

D

C

B

807-0001B

A