

## Parts and Operating Manual



*Bally*

MIDWAY MFG. CO.

10601 W. Belmont Avenue  
Franklin Park, Illinois 60131  
U.S.A.



Phone: (312) 451-9200    Cable Address: MIDCO    Telex No.: 72-1596

**WARNING**

**THIS GAME MUST BE GROUNDED. FAILURE TO DO SO MAY RESULT IN DESTRUCTION TO ELECTRONIC COMPONENTS.**

**WARNING:** This equipment generates, uses, and can radiate radio frequency energy and if not used in accordance with the instructions manual, may cause interference to radio communications. It has been tested and found to comply with the limits for a CLASS A computing device pursuant to SUBPART J of PART 15 of FCC RULES, which are designed to provide reasonable protection against such interference when operated in a commercial environment. Operation of this equipment in a residential area is likely to cause interference in which case the user at his own expense will be required to take whatever measures may be required to correct the interference.

**ELECTRICAL BULLETIN:** FOR ALL APPARATUS COVERED BY THE CANADIAN STANDARDS ASSOCIATION (CSA) STANDARD C22.2 NO. 1, WHICH EMPLOYS A SUPPLY CORD TERMINATED WITH A POLARIZED 2-PRONG ATTACHMENT PLUG.

**CAUTION:** TO PREVENT ELECTRIC SHOCK DO NOT USE THIS (POLARIZED) PLUG WITH AN EXTENSION CORD, RECEPTACLE OR OTHER OUTLET UNLESS THE BLADES CAN BE FULLY INSERTED TO PREVENT BLADE EXPOSURE.

**ATTENTION:** POUR PREVENIR CHOCS ELECTRIQUES NE PAS UTILISER CETTE FICHE POLARISEE AVEC UN PROLONGATEUR. UNE PRISE DE COURANT OU UNE AUTRE SORTIE DE COURANT, SAUF SI LES LAMES PEUVENT ETRE INSEREES A FOND SANS EN LAISSER AUCUNE PARTIE A DECOUVERT.

**Bally MIDWAY**<sup>TM</sup>

*Invites You To Use*

**OUR TOLL FREE NUMBERS FOR  
SERVICE INFORMATION CONCERNING THIS GAME, OR ANY  
OTHER BALLY MIDWAY GAME YOU NOW HAVE ON LOCATION.**

**CALL US FOR PROMPT, COURTEOUS  
ANSWERS TO YOUR PROBLEMS.**

**VIDEO → Continental U.S. 1-800-323-7182**

**PINBALL → Continental U.S. 1-800-323-3555**

**Bally MIDWAY**<sup>TM</sup>

10601 West Belmont Avenue, Franklin Park, Illinois, 60131

phone (312)451-9200

© COPYRIGHT MCMLXXXIII BY BALLY/MIDWAY CO. ALL RIGHTS RESERVED.

NO PART OF THIS PUBLICATION MAY BE REPRODUCED BY ANY MECHANICAL, PHOTOGRAPHIC, OR ELECTRONIC PROCESS, OR IN THE FORM OF A PHONOGRAPHIC RECORDING, NOR MAY IT BE TRANSMITTED, OR OTHERWISE COPIED FOR PUBLIC OR PRIVATE USE, WITHOUT PERMISSION FROM THE PUBLISHER. THIS MANUAL IS FOR SERVICE USE ONLY, AND NOT FOR GENERAL DISTRIBUTION. FOR PERMISSION REQUESTS, WRITE: MIDWAY MFG. CO., 10750 W. GRAND AVE., FRANKLIN PARK, IL 60131

Printed in U.S.A.

# TAPPER

## GAME OPERATION

### ATTRACT MODE

1. The Attract mode starts:
  - Just after power has been turned on to the game. (Self-Test switch is in the "OFF" position.)
  - After a Self-Test has been completed and there are no more credits left in the games memory.
  - After a play has been finished, the score was not high enough to put the game into the High Score/Initial mode, and there are no more credits left in the games memory.
  - After the High Score/Initial mode when there are no more credits left in its memory.
  - No matter where the game is in the Attract mode sequence, it will immediately go to the Ready-To-Play mode display as soon as a game has been paid for.

### READY-TO-PLAY MODE

1. The Ready-To-Play mode starts when enough coins have been accepted for a 1 player game. Additional coins may be deposited for a 2 player game.
2. The Ready-To-Play mode ends when the "START" button is pressed.

### PLAY MODE

1. The Play mode begins when the "START" button is pressed.
2. The Play mode ends when all of your BAR TENDERS have been eliminated. When this happens, "GAME OVER" is written across the monitor screen.

### HIGH SCORE/INITIAL MODE:

If your score was high enough to become one of the ten best scores, the game will go into the High Score/Initial mode immediately after the "GAME OVER" display. If your score is not high enough to cause the game to go into the High Score/Initial mode, it will either go to the Attract mode (if there are no more credits left in its memory) or into the Ready-To-Play mode (if there are still credits left in its memory).

Follow the ON-SCREEN instructions to enter your initials next to your score in the league of the best ten players to date.

After the High Score/Initial mode, the game will either go to the Attract mode (if there are no more credits left in its memory) or into the Ready-To-Play mode (if there are still credits left in its memory).

**T A P P E R  
S C O R I N G**

<b>DESCRIPTION</b>	<b>POINTS AWARDED</b>	<b>NOTES</b>
PICK UP TIP	1500 POINTS	
GET DRINKERS OUT OF DOOR		
	50 POINTS	FOR EVERY COWBOY
	75 POINTS	FOR EVERY SPORTS PERSON
	100 POINTS	FOR EVERY PUNK ROCKER
	150 POINTS	FOR EVERY SPACE CREATURE
CATCH AN EMPTY MUG	100 POINTS	FOR EACH ONE CAUGHT
COMPLETING A RACK	1000 POINTS	
COMPLETING BONUS RACK	3000 POINTS	

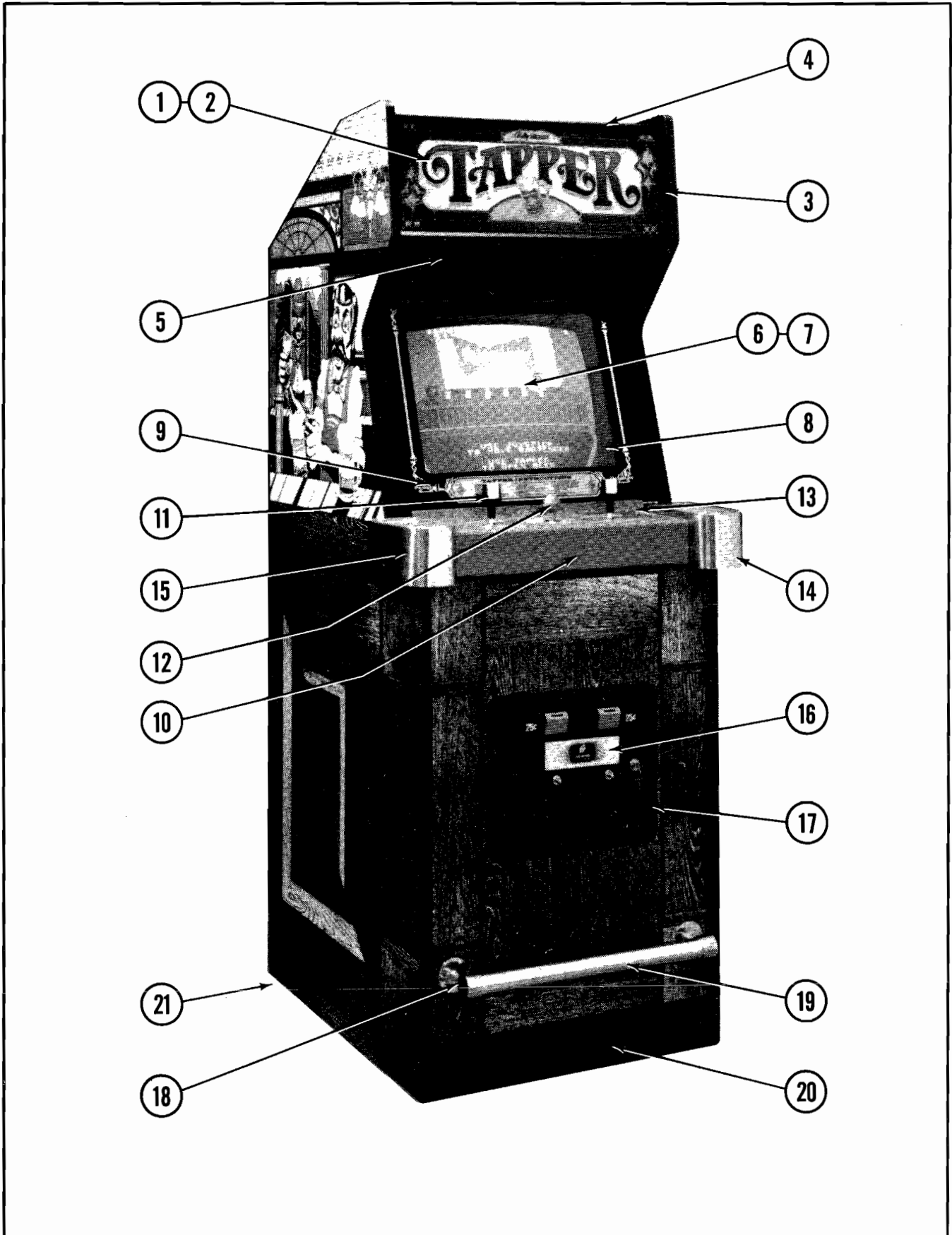
**TAPPER**

**OPTION SWITCH SETTINGS**

//////////////////////////////////// SWITCH NO. 1 - AT B 3 - LOCATED ON SOUND I/O P.C. BOARD ////////////////////////////////////										
<b>DURING GAME PLAY:</b>	SW#1	SW#2	SW#3	SW#4	SW#5	SW#6	SW#7	SW#8	SW#9	SW#10
	NOT USED	NOT USED		NOT USED	NOT USED	NOT USED		NOT USED	NOT USED	
ATTRACT MODE SOUNDS ON **ATTRACT MODE SOUNDS OFF	ON  OFF									
COCKTAIL MODEL GAME **UPRIGHT MODEL GAME	ON OFF									
FREEZE VIDEO **NORMAL OPERATION	ON OFF									
//////////////////////////////////// SWITCH NO. 3 - AT D 14 - LOCATED ON SOUND I/O P.C. BOARD ////////////////////////////////////										
**NORMAL OPERATION SOUND I/O DIAGNOSTIC MODE	SW#1	*SW#2	*SW#3	*SW#4						
	OFF									
	ON									
**NORMAL OPERATION RAM/ROM TEST INDICATES TEST RESULTS VIA YELLOW L E D ON SOUND I/O BOARD: FAST FLASH = BAD ROM SLOW FLASH = BAD RAM	OFF ON									
**NORMAL OPERATION OSCILLATOR TEST	OFF ON									
**NORMAL OPERATION FILTER TEST	OFF ON									
*NO EFFECT IF SW#1 OF SWITCH NO. 3 IS IN THE "OFF" POSITION. **FACTORY RECOMMENDED SETTINGS.								<b>PART NO. M051-00A11-A007</b>		

THE REMAINDER OF YOUR NEW GAME'S MOST COMMON OPTION SETTINGS ARE CONDUCTED DURING THE  
**MACHINE SETUP** PORTION OF THE SELF-TEST MODE.

NO. 0A11 - TAPPER UPRIGHT - FRONT

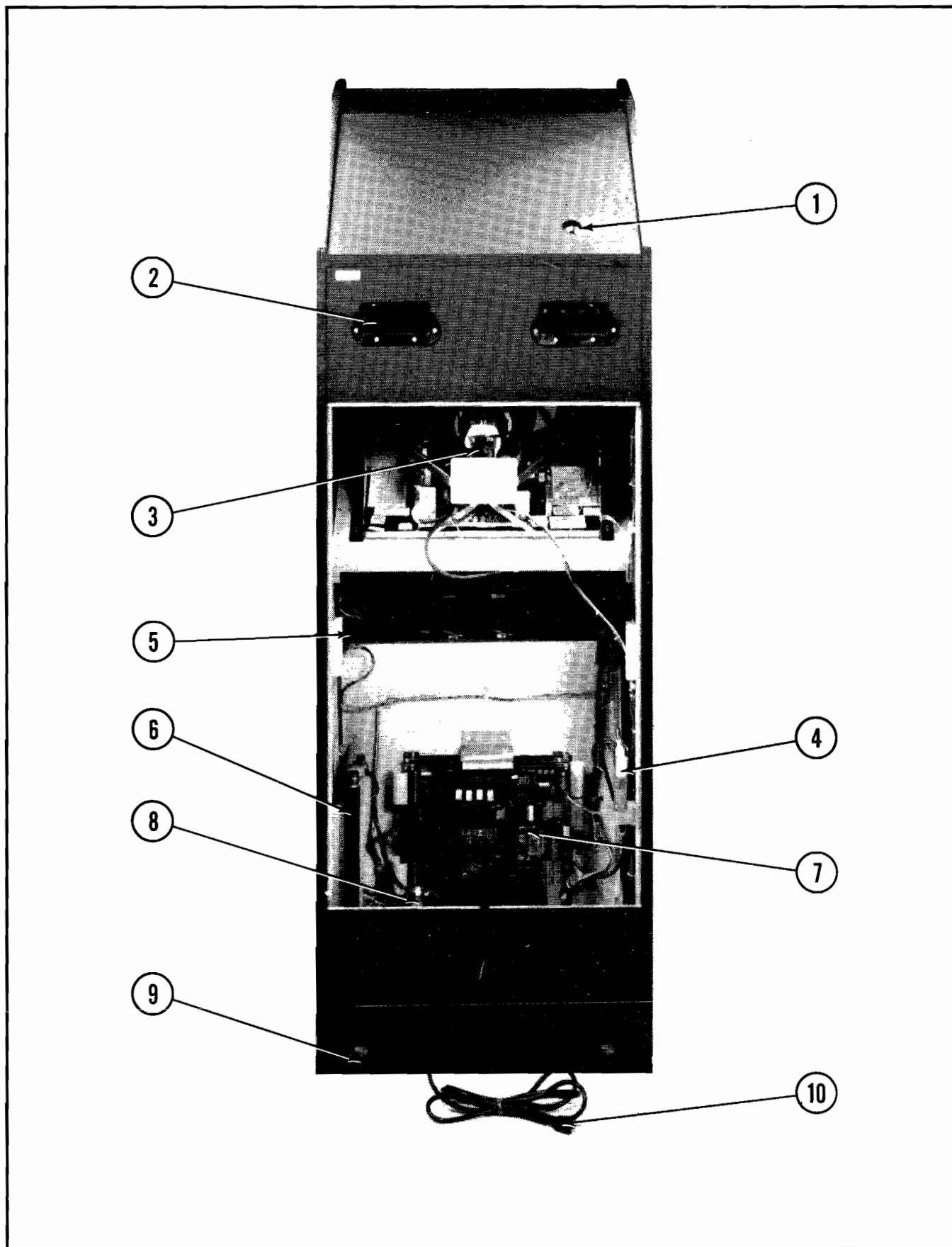


**NO. 0A11 - TAPPER UPRIGHT - FRONT PARTS LIST**

ORDER BY PART NUMBER ONLY

ITEM	PART NO.	DESCRIPTION	
1	0A11-00900-00XF	HEADER GLASS	
2	A595-00011-0000	FLUORESCENT HEADER LIGHT ASSY.	
3	0537-00903-0055	GLASS CHANNEL - 7-7/8" LG. (2 REQ'D)	
4	0574-00903-0100	HEADER RETAINING BRKT. (2 REQ'D)	
5	0017-00101-0138	#8x5/8 TORX PAN HD. TAMPER PROOF SCR. (10 REQ'D)	
	0017-00009-0393	BLACK SPEAKER GRILLE W/SLOTS (2 REQ'D)	
	0017-00003-0430	6"x9" SPEAKER - 4 OHM, 10W. (2 REQ'D)	
	0017-00003-0461	6"x9" SPEAKER - 4 OHM, 15W. (2 REQ'D)	
	0017-00101-0127	#8-32x1-1/2 CARRIAGE BOLT (8 REQ'D)	
6	0017-00103-0061	#8-32 HEX NUT W/SEMS (8 REQ'D)	
	A311-00002-0000	19" HORIZ. MONITOR ASSY.	
7	0333-00902-0000	PLEXI-DIFFUSER	
	0508-00901-0000	PLEXI-GLASS MTG. CLIPS (4 REQ'D)	
	0017-00101-0141	#8x11/16 UNSLOT. HEX HD. SCREW (4 REQ'D)	
8	0017-00042-0314	19" BEZEL - INJECTION MOLDED	
9	0A11-00901-00XF	MAIN VIEWING GLASS	
	0A11-00902-0100	GLASS HOLDER - RIGHT	
	0A11-00902-0200	GLASS HOLDER - LEFT	
	AA11-00016-0000	CONTROL SHELF PLATE ASSY.	
10	0A11-00904-0000	DECORATIVE OVERLAY	
	0A11-00100-01XF	CONTROL SHELF MTG. BRKT. - RIGHT	
	0A11-00100-02XF	CONTROL SHELF MTG. BRKT. - LEFT	
	0555-00901-0000	PLASTIC LOCATING PIN (4 REQ'D)	
	0017-00009-0534	BASSICK CLAMP (2 REQ'D)	
	0017-00101-0141	#8x11/16 UNSLOT. HEX HD. SCREW (8 REQ'D)	
	11	AA11-00015-0000	HANDLE CONTROL ASSY. (2 REQ'D)
	12	A982-00017-0000	CONTROL ASSY.
	13	0017-00032-0106	SMALL RED PUSH BUTTON SWITCH (2 REQ'D)
	14	0A11-00902-0100	GLASS HOLDER - RIGHT
15	0A11-00902-0200	GLASS HOLDER - LEFT	
16	A982-00014-0000	DOUBLE COIN DOOR & CABLE ASSY.	
17	0090-00002-04BK	LARGE COIN DOOR FRAME	
	0017-00101-0121	#6-32x5/16 PHIL. TRS. HD. SCR. (3 REQ'D) (MOUNTS COIN DOOR TO FRAME)	
	A950-00004-0000	COIN BOX ASSEMBLY	
	A950-00006-0100	WIRE COIN BOX CRADLE ASSY.	
	0950-00105-0000	COIN BOX COVER	
	0950-00104-0000	COIN BOX HANDLE	
	0950-00101-0000	COIN DEFLECTOR (2 REQ'D)	
	0950-00900-0000	LARGE PLASTIC COIN BOX	
	0950-00103-0000	COIN BOX DIVIDER - OPTIONAL	
	0017-00101-0142	1/4-20x1-3/8 BLACK RND. HD. BOLT (4 REQ'D)	
	0017-00104-0014	7/8" DISH WASHER (4 REQ'D)	
	0017-00103-0018	1/4-20 HEX NUT (4 REQ'D)	
	18	0A11-00106-0000	BRASS END POST (2 REQ'D)
	19	0017-00009-0558	BRASS RAIL
	20	0935-00906-0100	KICK PLATE - 23" LG.
	21	0017-00102-0048	3/8-16x2" LEG LEVELERS (4 REQ'D)
		0017-00103-0026	3/8-16 LEG LEVELER HEX NUTS (4 REQ'D)

NO. 0A11 - TAPPER UPRIGHT - REAR ACCESS



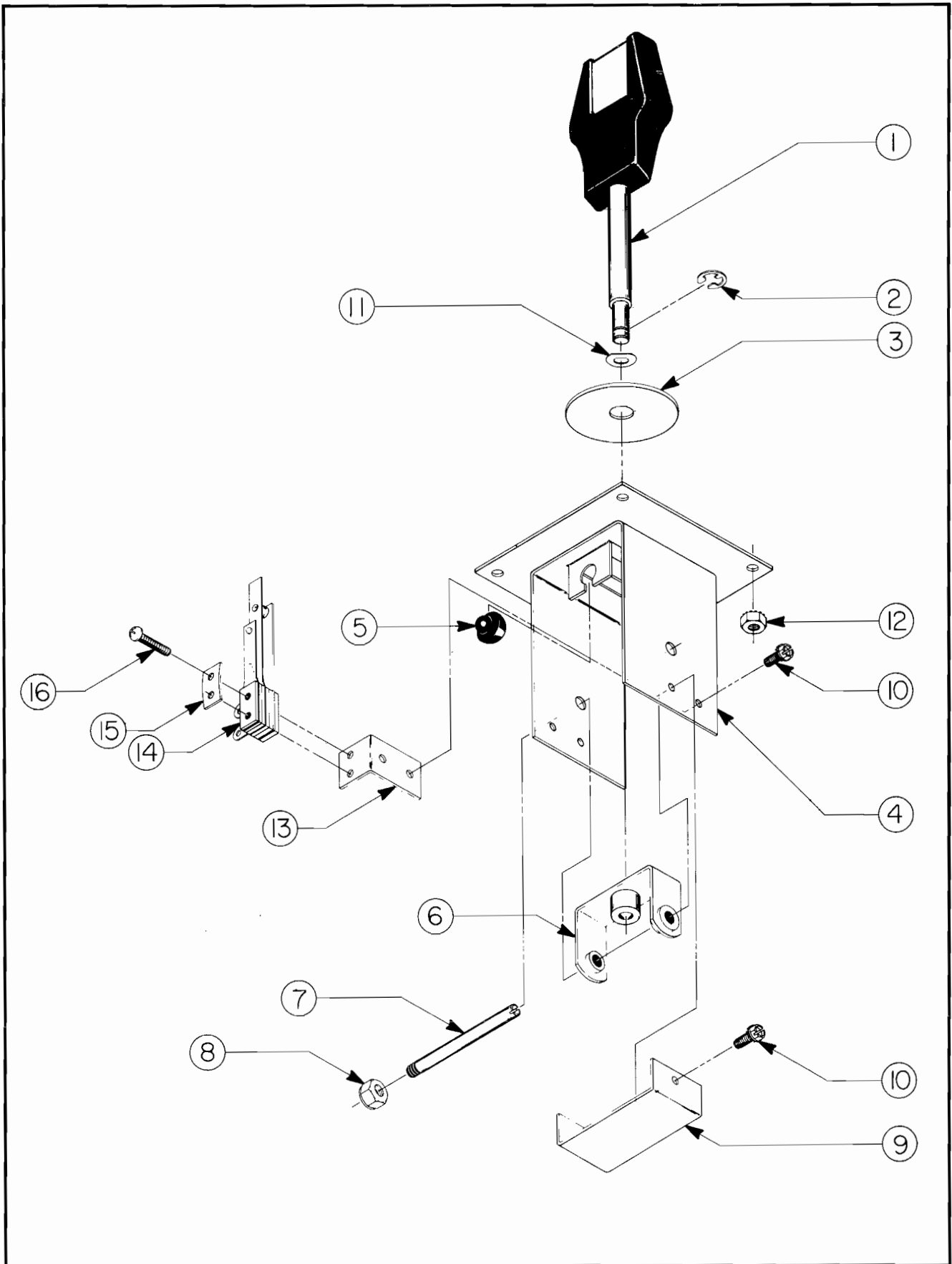


**NO. 0A11 - TAPPER UPRIGHT - REAR ACCESS PARTS LIST**

ORDER BY PART NUMBER ONLY

ITEM	PART NO.	DESCRIPTION
1	A945-00038-0000	ON-OFF SWITCH & PLATE ASSY.
2	0894-00916-0000	PLASTIC PULL & VENT (2 REQ'D)
	0017-00101-0141	#8x11/16 UNSLOT. HEX HD. M.S. (8 REQ'D)
3	0017-00003-0339	ELECTROHOME - 19" COLOR MONITOR (OR)
3	0017-00003-0439	WELLS-GARDNER - 19" COLOR MONITOR (OR)
3	0017-00003-0454	ZENITH - 19" COLOR DUAL SYNC MONITOR
	0636-00101-0000	MONITOR RAIL (2 REQ'D)
	0555-00901-0000	PLASTIC LOCATING PINS (4 REQ'D)
	0017-00101-0141	#8x11/16 UNSLOT. HEX HD. M.S. (8 REQ'D)
4	A088-00016-0000	INTERLOCK SWITCH & SPRING BRKT. ASSY.
	0303-00904-0000	INTERLOCK SWITCH COVER
5	A084-90910-F000	DUAL POWER AMP ASSY.
6	A084-90412-D000	POWER SUPPLY P.C. ASSY. - 125VA.
	0624-00902-0100	P.C. SUPPORT BRKT. - 12" LG. (2 REQ'D)
	0624-00902-0500	P.C. SUPPORT BRKT. - 6-1/2" LG. (2 REQ'D)
	0017-00101-0141	#8x11/16 UNSLOT. HEX HD. M.S. (10 REQ'D)
	0017-00104-0037	#8 WASHER (10 REQ'D)
7	AA11-00007-0000	CARD RACK W/BOARDS ASSY.
8	A945-00020-0000	POWER CHASSIS ASSY. -125VA., 115V.
9	A961-00007-0000	CASTER ASSEMBLY (2 REQ'D)
10	A945-00019-0000	LINE CORD ASSY. -115V.
		<b>ADDITIONAL PARTS LIST</b>
	A097-00009-0000	BACK DOOR LOCK ASSY.
	0017-00009-0490	5-5/8" SQR. BACK DOOR VENT GRILLE (4 REQ'D)
7	AA11-00007-0000	CARD RACK W/ BOARDS ASSY.
	A084-90913-AA11	PROG. SUPER SOUND I/O P.C. BRD. ASSY.
	A639-00060-0000	SHIELD & BARRIER ASSY.
	0017-00101-0134	#6-32x1/4" PHIL. RND. HD. M.S. (4 REQ'D)
	A084-91490-AA11	PROG. C.P.U. P.C. BOARD ASSY.
	A358-00016-0000	SHIELD & SPACER ASSY. - INNER
	A084-91464-AA11	PROG. SUPER VIDEO GENERATOR P.C.B. ASSY.
	A358-00017-0000	SHIELD & SPACER ASSY. - OUTER
	0017-00101-0153	#6-32x1" PHIL. RND. HD. M.S. (8 REQ'D)

NO. 0A11 - TAPPER UPRIGHT - HANDLE CONTROL ASSY.

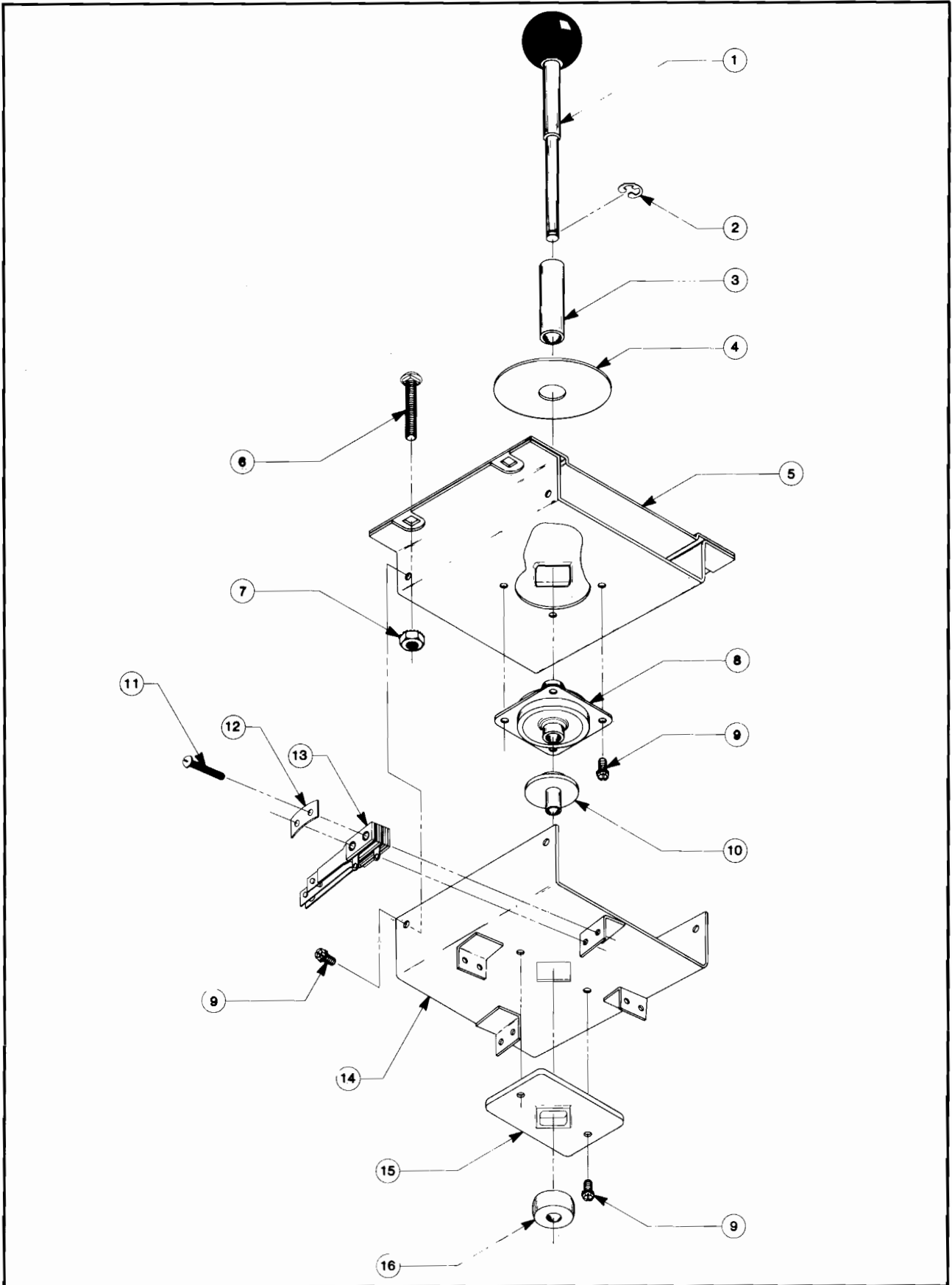


**NO. 0A11 - TAPPER UPRIGHT - HANDLE CONTROL ASSY. - PARTS LIST**

ORDER BY PART NUMBER ONLY

ITEM	PART NO.	DESCRIPTION
1	AA11-00012-0000	HANDLE & SHAFT ASSY.
2	0017-00100-0025	1/4" E-RING
3	0852-00106-0000	FOLLOWER PLATE
4	AA11-00013-0000	TOP PLATE TO MAIN CONTROL BRKT. ASSY.
5	0017-00041-0616	RUBBER BUMPER - 90 DUROMETER (2 REQ'D)
6	A866-00027-0000	PIVOT BRKT. HUB & BEARING ASSY.
7	0852-00701-00XF	PIVOT PIN
8	0017-00103-0011	#10-32 LOCK NUT
9	0508-00112-00XF	BRACE - MAIN BRKT.
10	0017-00101-0555	#6-32x5/16 SLT. HEX HD. SCREW (3 REQ'D)
11	0017-00104-0116	SPRING WASHER
12	0017-00103-0061	#8-32 LOCK NUT W/SEMS (4 REQ'D)
13	0353-00108-0000	SWITCH BRKT.
14	A353-00020-0000	LEAF SWITCH ASSY.
15	0020-00202-0000	SWITCH PLATE
16	0017-00101-0527	#5-40x5/8 PHIL. RND. HD. M.S. (2 REQ'D)
	0A11-00905-0000	HANDLE OVERLAY (NOT SHOWN)

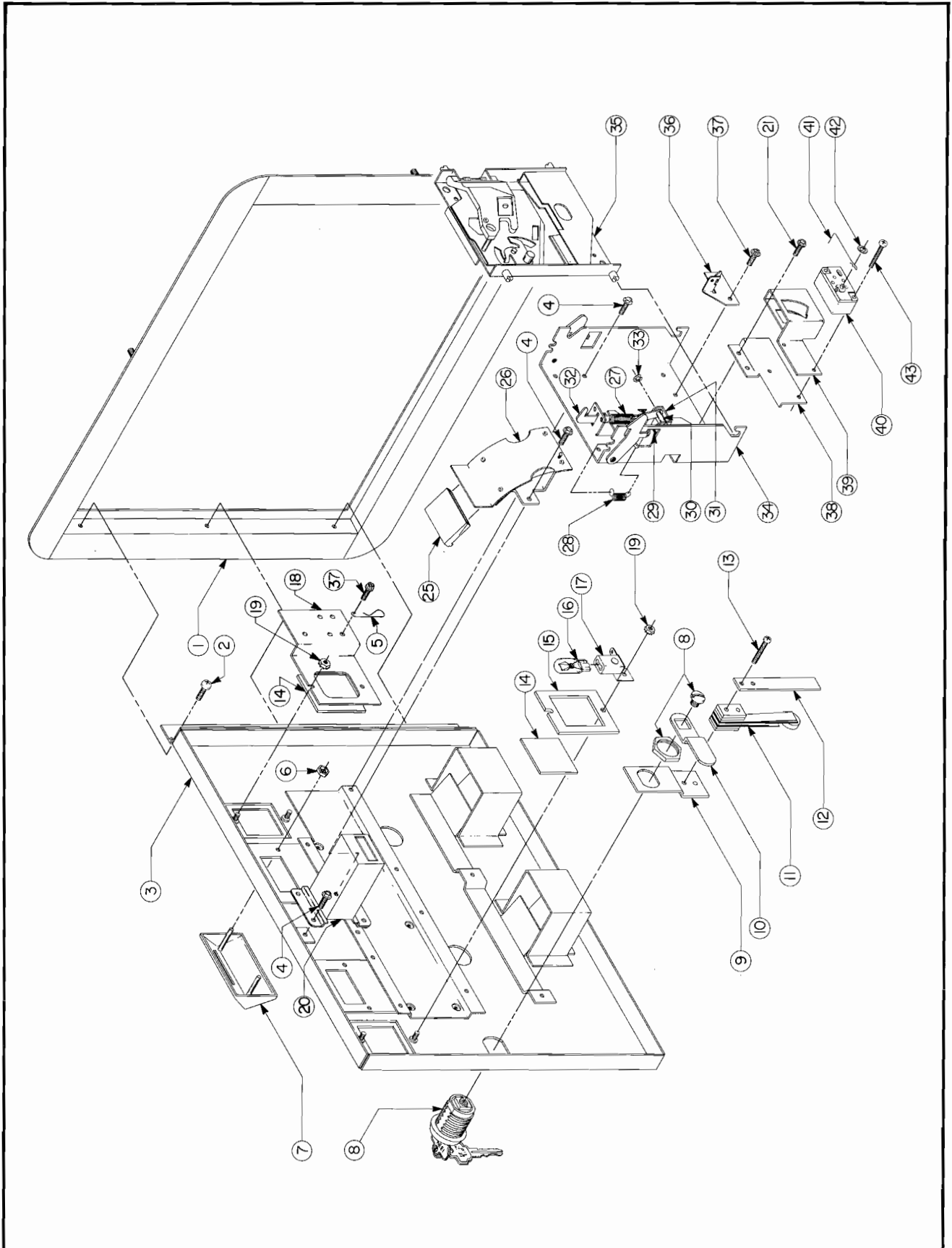
NO. 0A11 - TAPPER UPRIGHT - CONTROL ASSY.



**NO. 0A11 - TAPPER UPRIGHT - CONTROL ASSY. - PARTS LIST***ORDER BY PART NUMBER ONLY*

<b>ITEM</b>	<b>PART NO.</b>	<b>DESCRIPTION</b>
1	A932-00022-0000	BALL & SHAFT ASSEMBLY
2	0017-00100-0025	1/4 E-RING
3	0921-00702-0000	STOP SPACER
4	0921-00902-0000	SLIDE PLATE
5	A982-00019-0000	PIVOT PLATE WELD ASSY.
6	0017-00101-0637	#8-32 x 1" CARRIAGE BOLT (4 REQ'D.)
7	0017-00103-0061	#8-32 HEX NUT W/SEMS (4 REQ'D.)
8	0932-00902-0000	GROMMET
9	0017-00101-0598	#8-32 x 5/16 SLT. HEX HD. M.S. (10 REQ'D.)
10	0962-00904-0000	SLEEVE
11	0017-00101-0527	#5-40 x 5/8 SLT. RND. HD. SCR. (8 REQ'D.)
12	0020-00202-0000	SWITCH PLATE (4 REQ'D.)
13	A932-00009-0000	SWITCH ASSEMBLY (4 REQ'D.)
14	A932-00012-0000	STOP PLATE & SWITCH BRKT. ASSY.
15	0932-00905-0000	WEAR PLATE
16	0921-00700-0000	ACTUATOR

FRONT DOOR ASSEMBLY — U.S.A. 25¢

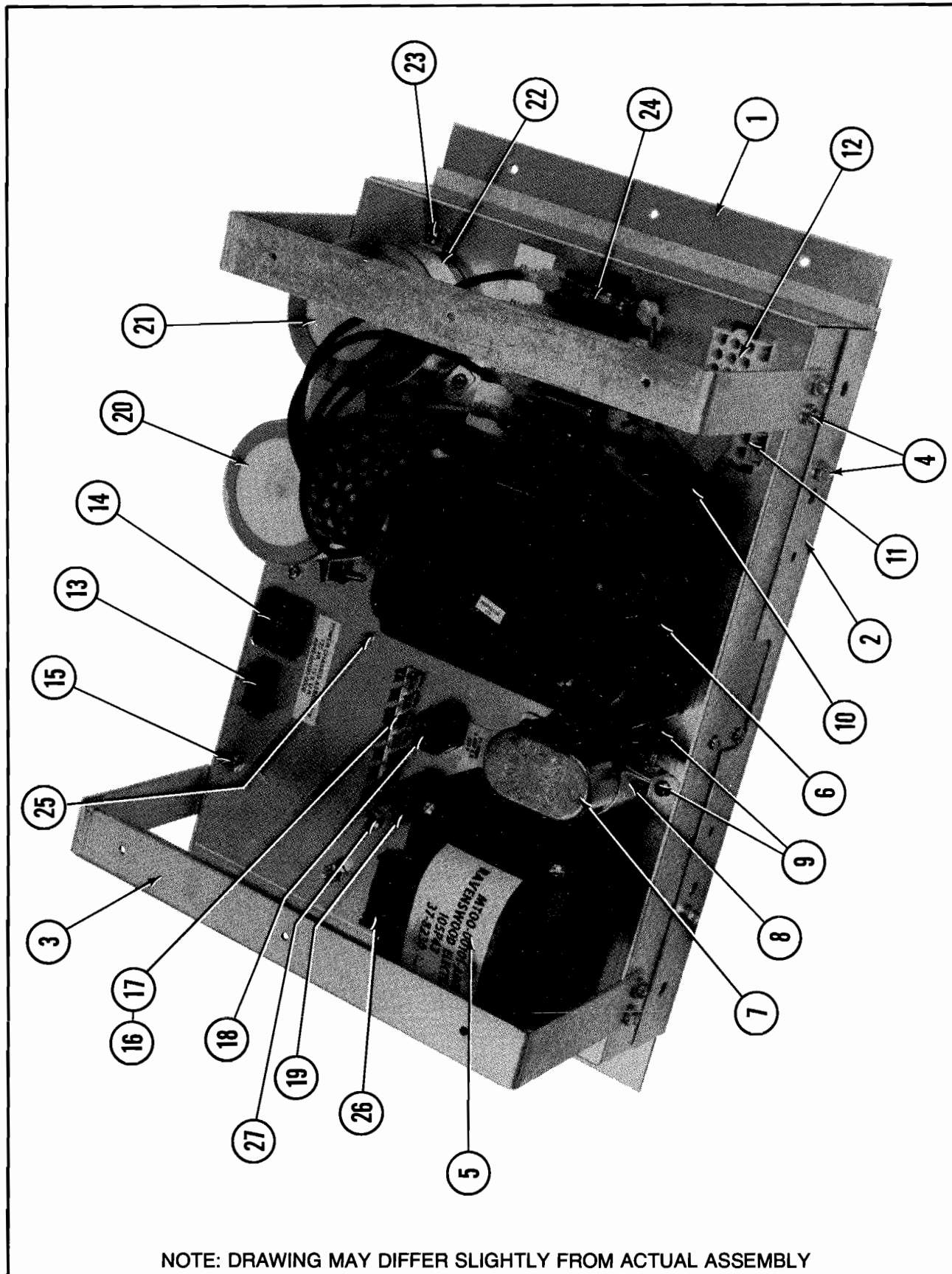


**FRONT DOOR ASSEMBLY — U.S.A. 25¢ — PARTS LIST**

*ORDER BY PART NUMBER ONLY*

<b>ITEM</b>	<b>PART NO.</b>	<b>DESCRIPTION</b>
1	0090-00002-04BK	DOUBLE ENTRY COIN DOOR FRAME
2	0017-00101-0121	#6-32 x 5/16 PHIL. TRS. HD. SCR. (3 REQ'D.)
3	A090-00073-02BK	DOUBLE ENTRY COIN DOOR W/DRESS PLATE
4	0017-00101-0123	#8 x 1/4 UNSLOT. HEX HD. SCREW (12 REQ'D.)
5	0017-00007-0019	KEY HOOK
6	0017-00103-0059	PUSH NUT (4 REQ'D.)
7	0090-00912-0000	COIN ENTRY PLATE — 25¢ (2 REQ'D.)
8	A097-00005-0000	DOOR LOCK & KEY W/SCREW & NUT (OR)
8	A097-00006-0000	DOOR LOCK & KEY W/SCREW. & NUT
9	0090-00128-00XF	DOOR TILT SWITCH BRKT.
10	0017-00005-0225	DOOR CAM
11	A090-00095-0000	DOOR TILT SWITCH
12	0090-00126-03XF	SWITCH BACK-UP PLATE
13	0017-00101-0525	#5-40 x 9/16" PHIL. HD. M.S. (2 REQ'D.)
	A090-00096-0000	DOOR TILT SWITCH & BRKT. ASSY. (ITEMS 9 & 11 THRU 13)
14	0090-00903-9500	25¢ WINDOW (2 REQ'D.)
15	0090-00143-00XF	COIN PLEX RETAINER
16	0017-00003-0219	12 VOLT LAMP — G.E. #194 (2 REQ'D.)
17	0017-00031-0048	WEDGE SOCKET W/BRKT. (2 REQ'D.)
18	A090-00100-0000	BRKT. ASSY.
19	0017-00103-0084	#6-32 HEX NUT W/SEMS (4 REQ'D.)
20	A090-00089-0000	COIN METER W/DIODE
21	0017-00101-0124	#6 x 1/4 UNSLOT. HEX HD. SCR. (4 REQ'D.)
25	0090-00911-0000	INSULATOR (2 REQ'D.)
26	A090-00112-0000	COIN CHUTE & TOP ASSY. (2 REQ'D.)
27	0010-00134-0000	SPRING
28	0010-00181-0000	SPRING
29	0017-00007-0083	1/8 x 1-5/8 ROLL PIN
30	0090-00129-00XF	PIVOT POST
31	0090-00167-00XF	PIVOT LEVER
32	0090-00182-00XF	REJECT LEVER
33	0017-00100-0018	E-RING
	A090-00088-0000	REJECT LEVER ASSY. (2 REQ'D.) (ITEMS 30 THRU 33)
34	A090-00105-0000	COIN ACCEPTOR FRAME ASSY. (2 REQ'D.)
35	0017-00005-0003	COIN ACCEPTOR W/STRING CUTTER (2 REQ'D.) (OR)
35	0017-00005-0211	COIN ACCEPTOR W/ANTI STRING DEVICE (2 REQ'D.) (OR)
35	0017-00005-0214	COIN ACCEPTOR W/STRING CUTTER (2 REQ'D.)
36	A090-00064-0000	ANTI-PENNY DEVICE
37	0017-00101-0099	#6 x 1/4 SLT. HEX HD. M.S. (2 REQ'D.)
38	0090-00162-00XF	COIN SWITCH MTG. BRKT.
39	0017-00005-0203	COIN SWITCH CHUTE
40	0017-00005-0195	COIN SWITCH
41	0010-00599-0000	COIN SWITCH WIRE
42	0017-00007-0015	PUSH-ON RING
	A090-00059-0400	COIN SWITCH & WIRE ASSY. (ITEMS 40 THRU 42)
43	0017-00101-0147	#4-40 x 3/4 PHIL. PAN. HD. M.S. (2 REQ'D.)
	A090-00077-0000	COIN GUIDE & SWITCH ASSY. (ITEMS 38 THRU 43)

— POWER CHASSIS ASSY. — 125VA., 115V.



NOTE: DRAWING MAY DIFFER SLIGHTLY FROM ACTUAL ASSEMBLY

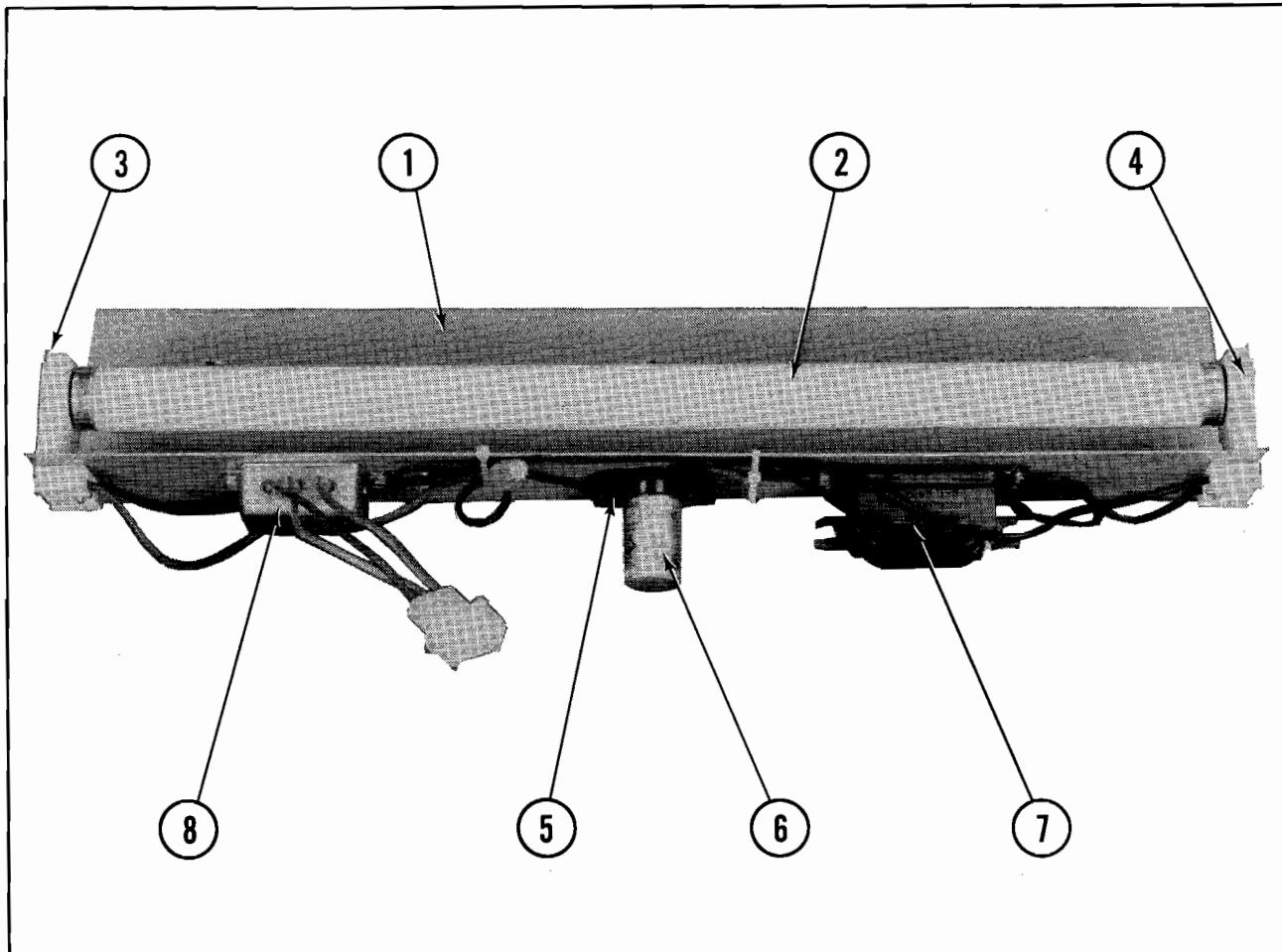


**POWER CHASSIS ASSY.—125VA., 115V.—PARTS LIST**

*ORDER BY PART NUMBER ONLY*

<b>ITEM</b>	<b>PART NO.</b>	<b>DESCRIPTION</b>
1	A945-00046-00XF	CHASSIS & PARTITION ASSY.
2	A945-00029-0100	MTG. PLATE & BARRIER ASSY.
3	0945-00107-01XF	STRAP (2 REQ'D.)
4	0017-00101-0123	#8 x 1/4 UNSLOT. HEX HD. SCR. (12 REQ'D.)
5	MT00-00101-A000	ISOLATION TRANSFORMER W/O SHIELD ASSY. — 115V., 50/60 HZ.
	0017-00103-0061	#8-32 HEX NUT W/SEMS (4 REQ'D.)
6	MT00-00099-A000	POWER TRANSFORMER ASSY. — 115V., 60 HZ.
	0017-00103-0084	#6-32 HEX NUT W/SEMS (4 REQ'D.)
7	0175-181T4-GXJK	CAPACITOR — 3.5 M.F., 440V.
8	0017-00009-0535	CLAMP
	0017-00101-0565	#6-32 x 7/16 SLT. PAN HD. SCR.
	0017-00103-0084	#6-32 HEX NUT W/SEMS
9	0017-00101-0067	#6 x 3/8 PHIL. PAN HD. SCR. (11 REQ'D.)
10	0945-00902-0000	SNAP BUSHING (3 REQ'D.)
11	0017-00021-0297	2 POSITION CONNECTOR
12	A945-00030-0100	CONNECTOR & CABLE ASSY. #1
13	A945-00030-0200	CONNECTOR & CABLE ASSY. #2
14	A945-00021-0000	CONVENIENCE OUTLET ASSY.
15	0017-00101-0573	#6-32 x 1/2 PHIL. RND. HD. SCR. (2 REQ'D.)
	0017-00103-0084	#6-32 HEX NUT W/SEMS (2 REQ'D.)
	A945-00025-0000	FILTER ASSEMBLY — 125V. — UNDER CHASSIS (NOT SEEN)
16	0017-00021-0510	TERMINAL STRIP
17	0017-00101-0140	#4-40 x 5/16 PHIL. PAN HD. SCR. (2 REQ'D.)
18	0017-00003-0263	SLO-BLO FUSE — 4A., 250V.
19	0017-00003-0005	FUSE — 2A., 250V.
	0017-00003-0444	QUICK CONN. FUSEHOLDER (2 REQ'D.) — FOR ABOVE FUSES
20	0945-00816-1902	CAPACITOR — 100,000 M.F.
21	0945-00816-1901	CAPACITOR — 55,000 M.F.
	0017-00104-0107	#10 FLAT WASHER (4 REQ'D.)
	0017-00103-0081	#10-32 HEX NUT W/SEMS (4 REQ'D.)
22	0017-00009-0422	CLAMP (2 REQ'D.)
	0017-00101-0758	#8-32 x 3/4 PHIL. RND. HD. SCREW (2 REQ'D.)
	0017-00103-0061	#8-32 HEX NUT W/SEMS (2 REQ'D.)
23	0017-00101-0067	#6 x 3/8 PHIL. PAN HD. SCR. (6 REQ'D.)
24	0945-00904-0000	5 POSITION FUSE HOLDER
	0017-00003-0263	SLO-BLO FUSE — 4A., 250V.
	0017-00003-0217	SLO-BLO FUSE — 2.5A., 250V. (2 REQ'D.)
	0017-00003-0007	SLO-BLO FUSE — 3A., 250V. (2 REQ'D.)
	0945-00903-0000	FUSE HOLDER BARRIER
	A945-00022-0000	HEATSINK & DIODE ASSY.
	0017-00101-0067	#6 x 3/8 PHIL. PAN HD. SCR. (2 REQ'D.)
25	0017-00101-0780	#6 x 1/2 PHIL. PAN HD. SCREW (2 REQ'D.)
	0017-00021-0629	5 POSITION TERMINAL STRIP — (UNDER CHASSIS)
	A945-00019-0000	LINE CORD ASSY. — 115V. (NOT SHOWN)
26	A945-00030-0500	CONNECTOR & CABLE ASSY.
27	0017-00101-0660	#10-32 x 3/4 PAN HD. SCREW
	0017-00104-0107	#10 FLAT WASHER
	0017-00103-0081	#10-32 HEX NUT W/SEMS

**HEADER FLOURESCENT FIXTUTRE ASSY.**



**HEADER FLOURESCENT FIXTUTRE ASSY. - PARTS LIST**

*ORDER BY PART NUMBER ONLY*

ITEM	PART NO.	DESCRIPTION
1	0595-00105-0000	FLUORESCENT BRKT.
2	0017-00003-0043	18" COOL WHITE FLUORESCENT LAMP
3	0017-00003-0445	LAMP LOCKS (2 REQ'D.)
4	0017-00031-0036	FLUORESCENT SOCKET (2 REQ'D.)
5	0017-00003-0412	FLUORESCENT STARTER HOLDER W/LEADS
	0017-00101-0573	#6-32 x 1/2 PHIL. RND. HD. M.S. (4 REQ'D.)
	0017-00104-0009	#6 EXT. WASHER (4 REQ'D.)
6	0017-00003-0019	FLUORESCENT STARTER
7	0017-00003-0026	BALLAST
	0017-00101-0598	#8-32 x 5/16 SLT. HEX HD. SCR. (4 REQ'D.)
8	A961-00042-0000	LINE FILTER ASSY.

**BALLY/MIDWAY'S TAPPER**  
**U.R. #A11**  
**ROM/EPROM PART NUMBERS**

**UNPROGRAMED SUPER VIDEO GEN. A084-91464-L000**  
**PROGRAMED SUPER VIDEO GEN. A084-91464-AA11**

POS.	MIDWAY PART NUMBER
1A	0A11-00803-0001
2A	0A11-00803-0002
3A	0A11-00803-0003
4A	0A11-00803-0004
5A	0A11-00803-0005
6A	0A11-00803-0006
7A	0A11-00803-0007
8A	0A11-00803-0008

JUMPERS	IN	OUT
JW1		**
JW2	**	

**UNPROGRAMED 5 MHZ CPU A084-91490-H000**  
**PROGRAMED 5 MHZ CPU A084-91490-AA11**

POS.	MIDWAY PART NUMBER
5F	0A11-00803-0013
6F	0A11-00803-0014
1C	0A11-00803-0009
2C	0A11-00803-0010
3C	0A11-00803-0011
4C	0A11-00803-0012

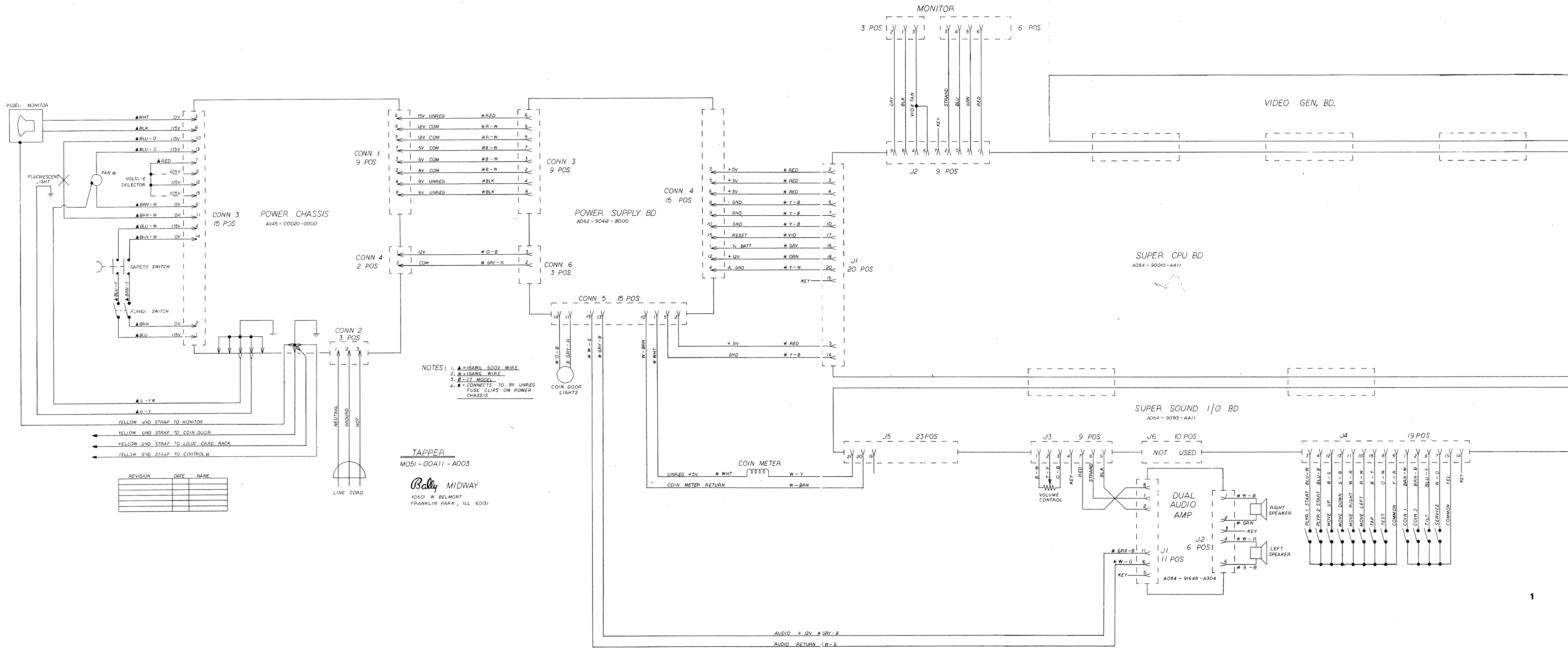
JUMPERS	IN	OUT
JW1		**
JW2		**
JW3	**	
JW4		**
JW5		**
JW6		**

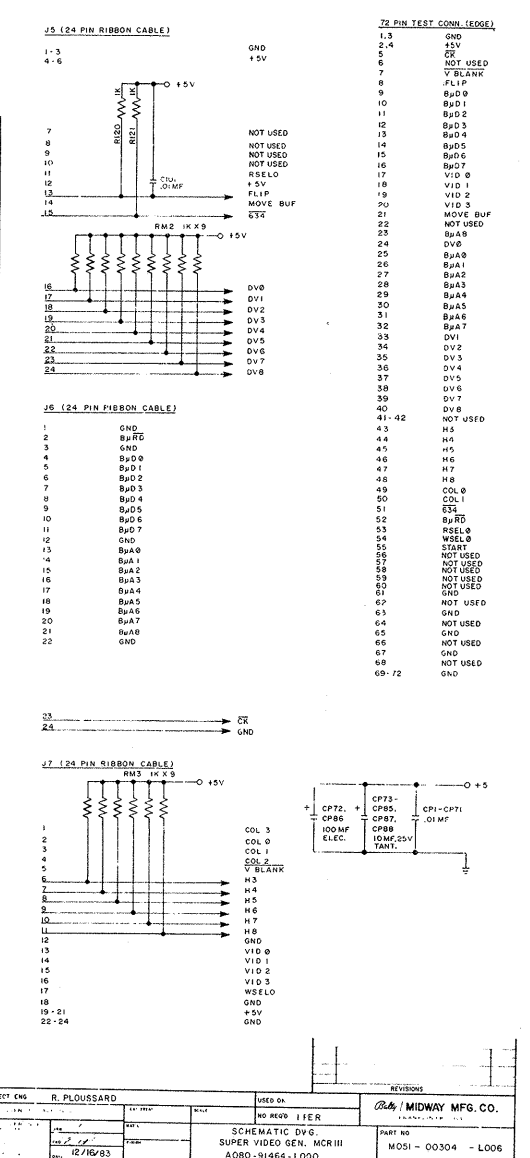
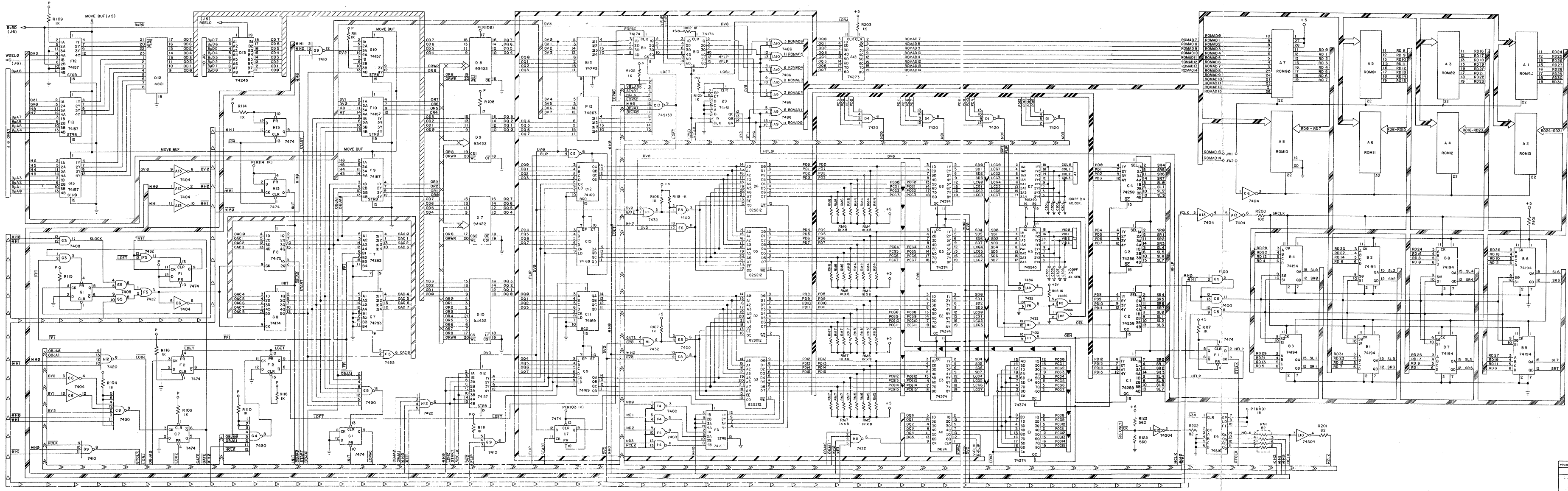
**UNPROGRAMED S/S I/O A084-90913-G000**  
**PROGRAMED S/S I/O A084-90913-AA11**

POS.	MIDWAY PART NUMBER
7A	0A11-00803-0015
8A	0A11-00803-0016
9A	0A11-00803-0017
10A	0A11-00803-0018

EPROM	JUMPERS	IN	OUT
2532	JW1		**
2532	JW2	**	
2732	JW1	**	
2732	JW2		**

REVISIONS		
12/19/83	RELEASE FOR PRODUCTION	

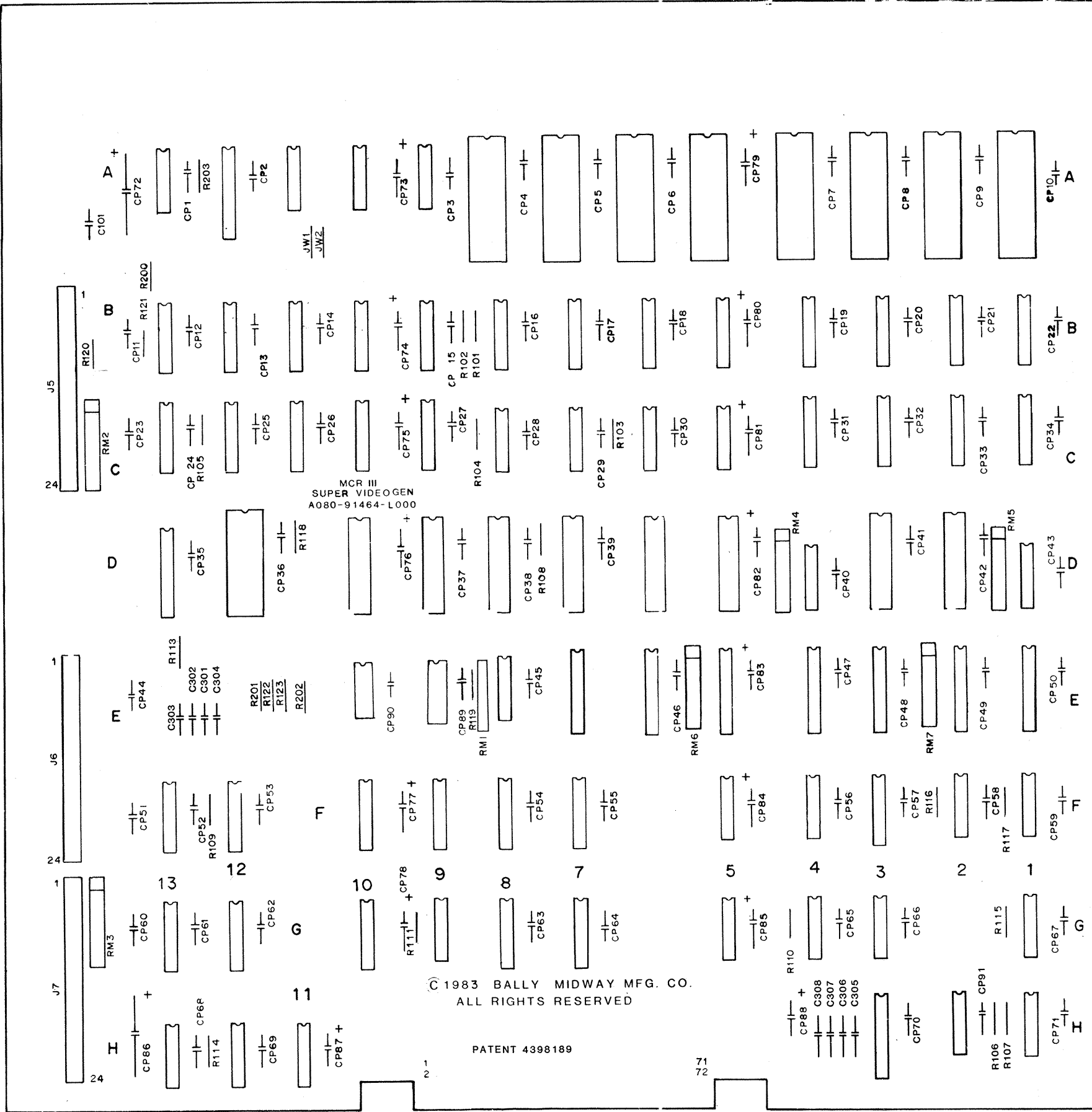




PROJECT ENR. R. FLOUSSARD  
 DESIGNED BY: J. J. HARRIS  
 SCHEMATIC DATE: SUPER VIDEO GEN. MCR-III  
 4080-9144-1000  
 GRAF MANOY MFG. CO.  
 PART NO. M01-00304 - LOOS

DESIGNATION LIST

DESIGNATION	DESCRIPTION	DESIGNATION	DESCRIPTION
C101	.01 MF AX CER	IC 1D	7420
C301-C308	100 PF AX CER	IC 2D	93479
CP1-CP71	.01 MF AX CER	IC 3D	93479
CP72,CP86	100 MF AX ELECT.	IC 4D	7420
CP73-CP85,CP87,CP88	10 MF 25V AX TANT.	IC 5D	93479
CP89,CP90,CP91	.01MF AX. CER.	IC 6D	93479
		IC 7D	93422
		IC 8D	93422
		IC 9D	93422
R101-R111,R113-R121	1K OHM 1/4W	IC 10D	93422
R122,R123	560 OHM 1/4W	IC 12D	93422
R200	100 OHM 1/4W	IC 13D	74LS245
R201 R202	82 OHM 1/4W	IC 1E	74LS374
R203	1K OHM 1/4W	IC 2E	74LS374
		IC 3E	74LS374
RM1	82 OHM 8 PIN SIP	IC 4E	74LS374
RM 2	1K 10 PIN SIP	IC 5E	74LS374
RM 3	1K 10 PIN SIP	IC 6E	74LS374
RM 4	1K 9 PIN SIP	IC 7E	74LS240
RM 5	1K 9 PIN SIP	IC 8E	74LS00
RM 6	1K 9 PIN SIP	IC 9E	74S161
RM 7	1K 9 PIN SIP	IC 10E	74S04
IC 1A	EPROM	IC 1F	74LS74
IC 2A	EPROM	IC 2F	74LS74
IC 3A	EPROM	IC 3F	74LS157
IC 4A	EPROM	IC 4F	74S00
IC 5A	EPROM	IC 5F	74LS32
IC 6A	EPROM	IC 7F	74LS283
IC 7A	EPROM	IC 8F	74LS175
IC 8A	EPROM	IC 9F	74LS157
IC 9A	74LS86	IC 10F	74LS157
IC 10A	74LS86	IC 12F	74LS157
IC 11A	74LS174	IC 13F	74LS157
IC 12A	74LS273	IC 1G	74LS74
IC 13A	74S04	IC 3G	74S08
		IC 4G	74LS30
		IC 5G	74LS30
		IC 7G	74LS283
		IC 8G	74LS174
		IC 9G	74LS10
		IC 10G	74LS157
		IC 12G	74LS157
		IC 13G	74LS157
IC 1B	74LS194	IC 1H	74LS32
IC 2B	74LS194	IC 2H	74S86
IC 3B	74LS194	IC 3H	74LS240
IC 4B	74LS194	IC 11H	7420
IC 5B	74LS194	IC 12H	7420
IC 6B	74LS194	IC 13H	74LS74
IC 7B	74LS194		
IC 8B	74LS194		
IC 9B	74LS161		
IC 10B	74LS174		
IC 11B	74LS174		
IC 12B	74S283		
IC 13B	74S283		
IC 1C	74LS258	ICS1A-ICS8A	28 PIN SOCKET
IC 2C	74LS258	ICS D2,D3,D5-D10	22 PIN SOCKET
IC 3C	74LS258	ICS D12	24 PIN SOCKET
IC 4C	74LS258		
IC 5C	74LS00		
IC 6C	74LS04	J5,J6,J7	KK100 RT. ANGLE 24 PIN CONN.
IC 7C	74LS74		
IC 8C	74LS30		
IC 9C	74LS169	JW 1, JW2	JUMPER WIRE
IC 10C	74LS169		
IC 11C	74LS169	MCR III SUPER VIDEO GEN.	A082-91464-L000
IC 12C	74LS169		
IC 13C	74S133		

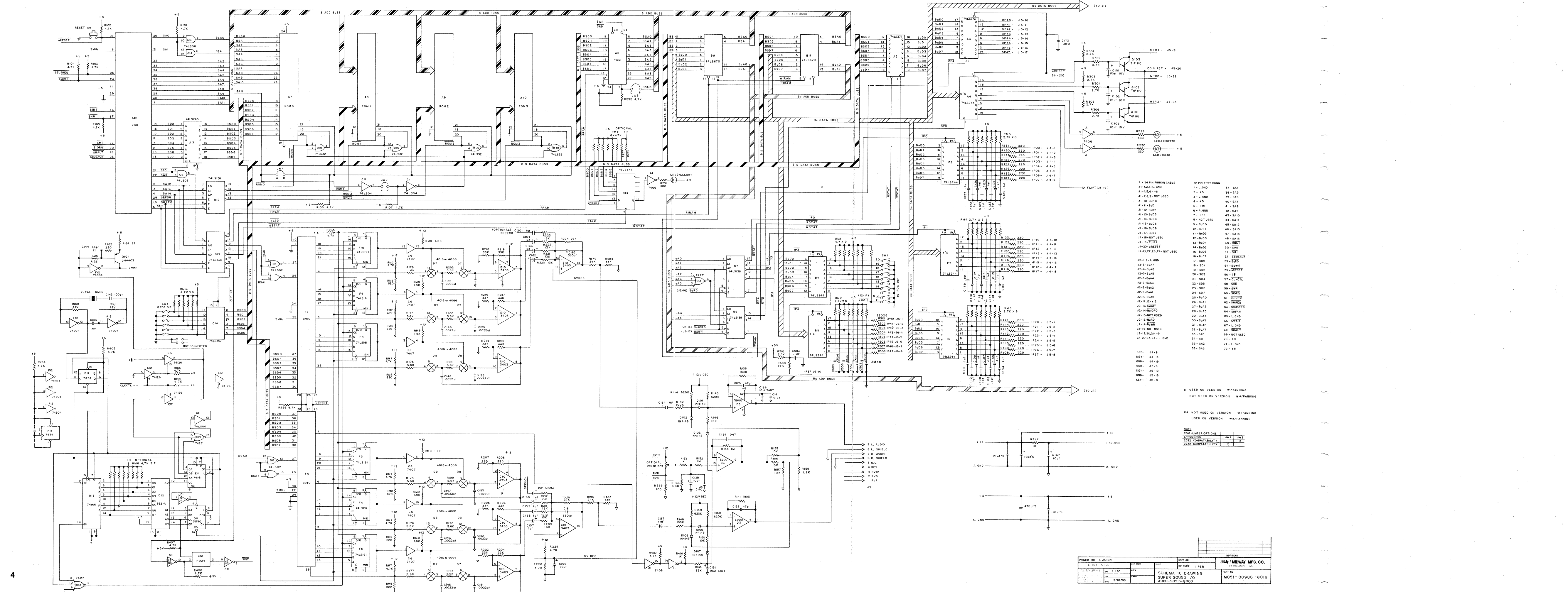


CROSS REFERENCE LIST

DESCRIPTION	QTY	DESIGNATION NO.	PART NOS.
CAP 100 PF	8	C301-C308	0986-00800-1000
CAP .01MF	75	C101,CP1-CP71,CP89,CP90,CP91	0986-00800-2500
CAP 10MF	15	CP73-CP85,CP87,CP88	0986-00800-2400
CAP 100MF	2	CP72,CP86	0986-00800-1800
82 OHM 1/4 W RES.	2	R201,R202	100E-00005-0031
100 OHM 1/4 W RES.	1	R200	100E-00005-0033
1K OHM 1/4 W RES.	21	R101-R111,R113-R121,R203	100E-00005-0061
560 OHM 1/4W RES.	2	R122,R123	100E-00005-0054
8 PIN SIP	82 OHM	RM1	102E-00004-0035
9 PIN SIP	1K OHM	RM4-RM7	102E-00004-0011
10 PIN SIP	1K OHM	RM2, RM3	102E-00004-0013
74S00	1	4F	0304-00803-0047
74LS00	2	5C,8E	0304-00803-0010
74S04	2	13A,10E	0304-00803-0011
74LS04	1	6C	0304-00803-0012
74S08	1	3G	0304-00803-0037
74LS10	1	9G	0304-00803-0014
7420	4	1D,4D,11H,12H	0304-00803-0015
74LS30	3	8C,4G,5G	0304-00803-0016
74LS32	2	5F,1H	0304-00803-0017
74LS74	5	7C,1F,2F,1G,13H	0304-00803-0018
74S86	1	2H	0304-00803-0049
74LS86	2	9A,10A	0304-00803-0019
74S133	1	13C	0304-00803-0020
74LS157	8	3F,9F,10F,12F,13F,10G,12G,13G	0304-00803-0021
74S161	1	9E	0304-00803-0038
74LS161	1	9B	0304-00803-0022
74LS169	4	9C-12C	0304-00803-0023
74LS174	4	11A,10B,11B,8G	0304-00803-0024
74LS175	1	8F	0304-00803-0025
74LS194	8	1B-8B	0304-00803-0026
74LS240	2	7E,3H	0304-00803-0050
74LS245	1	13D	0304-00803-0027
74LS258	4	1C-4C,	0304-00803-0028
74LS273	1	12A	0304-00803-0029
74S283	2	12B,13B	0304-00803-0039
74LS283	2	7F,7G	0304-00803-0030
74LS374	6	1E-6E	0304-00803-0031
93422	4	7D-10D	0304-00803-0032
93479	4	2D,3D,5D,6D	0304-00803-0033
STAT. RAM	1	12D	0304-00803-0034
EPROM KIT	8	IC1A-8A	SEE NOTE
28 PIN SOCKET	8	ICS 1A-8A	0986-00804-0300
22 PIN SOCKET	8	ICS 2D,3D,5D,6D,7D-10D	0986-00804-0700
24 PIN SOCKET	1	ICS 12D	0986-00804-1600
KK100 RT. ANGLE 24 PIN CONN.	3	J5,J6,J7	0986-00804-4700
JUMPER WIRE	2	JW1, JW2	0986-00805-0200
MCR III SUPER VIDEO GEN.			A082-91464-L000

NOTE: ROM PART NUMBERS AT BACK OF CATALOG.

PROJECT ENG: R. PLOUSSARD		USED ON	
DO NOT SCALE DWG.	HEAT TREAT	SCALE FULL	NO. REQ'D 1 PER
DIM TOLERANCES UNLESS SPECIFIED	DRN. 786	SUPER VIDEO GEN. MCR III ASSY DWG A082-91464-L000	
CONCENTRICITY ±.001	CD.	PART NO. M051-00304-L005	
FRACTIONAL ±.001	FINISH		
DECIMAL ±.001	DATE 12/19/83		
HOLE DIA ±.002-.000			



72 PIN TEST CONN

1 - L GND	37 - SA4
2 - +5	38 - SA5
3 - L GND	39 - SA6
4 - +5	40 - SA7
5 - +5	41 - SA8
6 - A GND	42 - SA9
7 - +5	43 - SA10
8 - NOT USED	44 - SA11
9 - B GND	45 - SA12
10 - B GND	46 - SA13
11 - B GND	47 - SA14
12 - B GND	48 - SA15
13 - B GND	49 - SW1
14 - B GND	50 - SW2
15 - B GND	51 - SW3
16 - B GND	52 - SW4
17 - B GND	53 - SW5
18 - B GND	54 - SW6
19 - B GND	55 - SW7
20 - B GND	56 - SW8
21 - B GND	57 - SW9
22 - B GND	58 - SW10
23 - B GND	59 - SW11
24 - B GND	60 - SW12
25 - B GND	61 - SW13
26 - B GND	62 - SW14
27 - B GND	63 - SW15
28 - B GND	64 - SW16
29 - B GND	65 - L GND
30 - B GND	66 - SW17
31 - B GND	67 - L GND
32 - B GND	68 - SW18
33 - B GND	69 - NOT USED
34 - B GND	70 - +5
35 - SA2	71 - L GND
36 - SA3	72 - +5

\* USED ON VERSION W/PANNING  
NOT USED ON VERSION W/PANNING

\*\* NOT USED ON VERSION W/PANNING  
USED ON VERSION W/PANNING

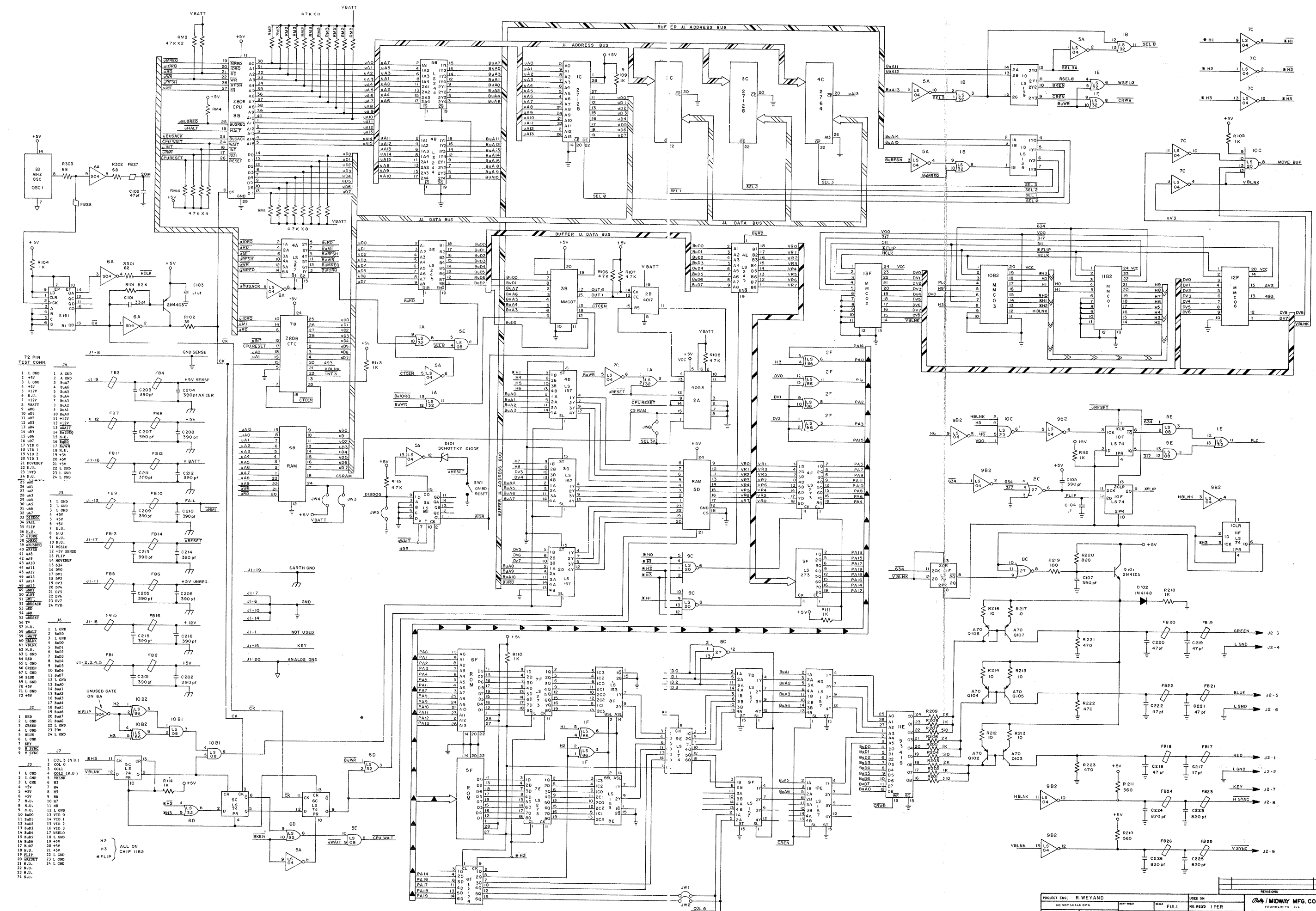
NOTE

ROW NUMBER OPTIONS	JW1	JW2
EPROM FROM		
TEST COMPATIBILITY	x	x
2762 COMPATIBILITY	x	x

PROJECT: ENR J. JARON	DATE: 12/16/83	REV: 1	NO. REVS: 1	PER: J. JARON	PART NO: M051-00986-G016
SCHEMATIC DRAWING					
SUPER SOUND I/O					
A080-B0913-G000					



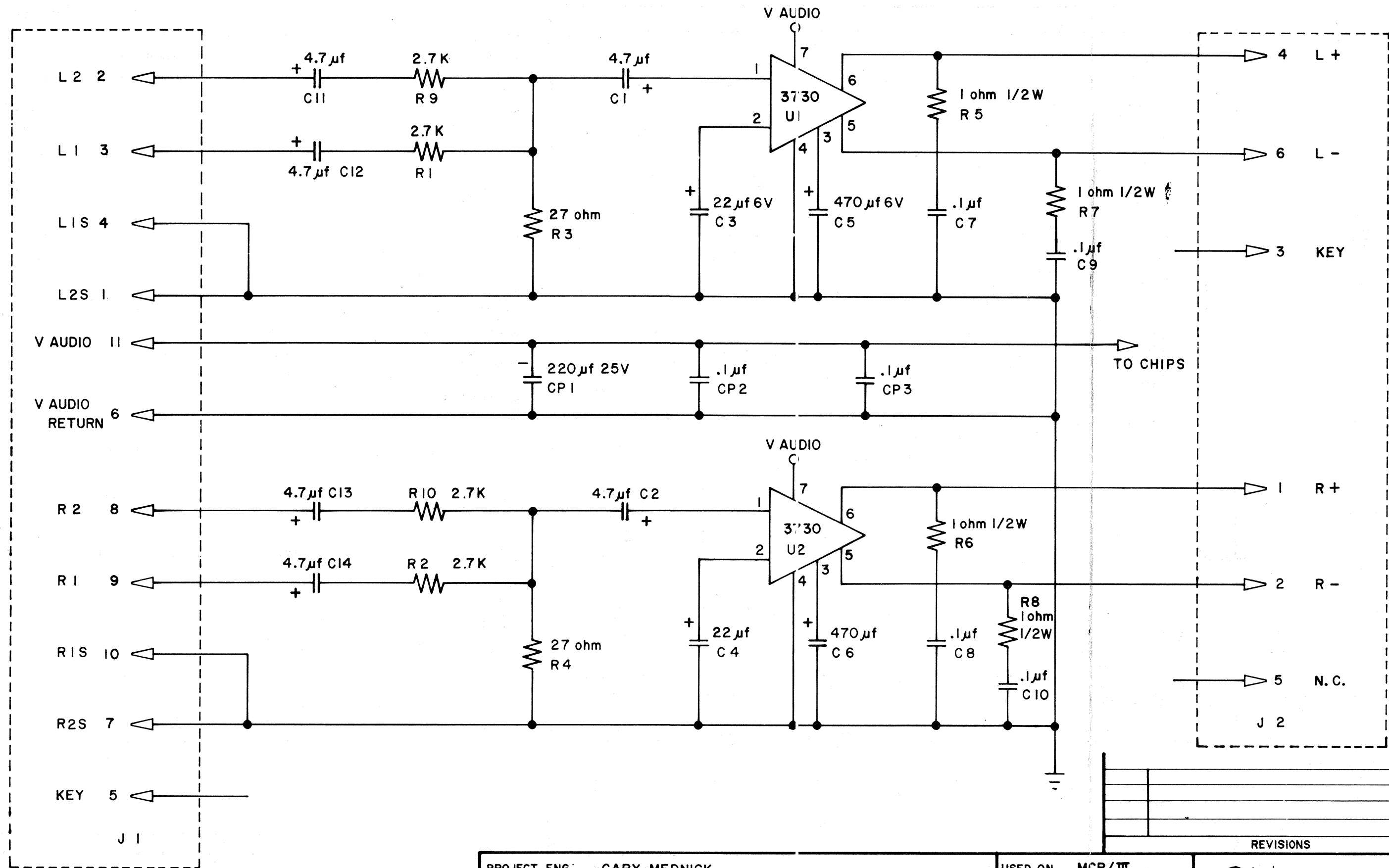




- 72 PIN TEST POINTS
- 1 L ODD
  - 2 L ODD
  - 3 L ODD
  - 4 L ODD
  - 5 L ODD
  - 6 L ODD
  - 7 L ODD
  - 8 L ODD
  - 9 L ODD
  - 10 L ODD
  - 11 L ODD
  - 12 L ODD
  - 13 L ODD
  - 14 L ODD
  - 15 L ODD
  - 16 L ODD
  - 17 L ODD
  - 18 L ODD
  - 19 L ODD
  - 20 L ODD
  - 21 L ODD
  - 22 L ODD
  - 23 L ODD
  - 24 L ODD
  - 25 L ODD
  - 26 L ODD
  - 27 L ODD
  - 28 L ODD
  - 29 L ODD
  - 30 L ODD
  - 31 L ODD
  - 32 L ODD
  - 33 L ODD
  - 34 L ODD
  - 35 L ODD
  - 36 L ODD
  - 37 L ODD
  - 38 L ODD
  - 39 L ODD
  - 40 L ODD
  - 41 L ODD
  - 42 L ODD
  - 43 L ODD
  - 44 L ODD
  - 45 L ODD
  - 46 L ODD
  - 47 L ODD
  - 48 L ODD
  - 49 L ODD
  - 50 L ODD
  - 51 L ODD
  - 52 L ODD
  - 53 L ODD
  - 54 L ODD
  - 55 L ODD
  - 56 L ODD
  - 57 L ODD
  - 58 L ODD
  - 59 L ODD
  - 60 L ODD
  - 61 L ODD
  - 62 L ODD
  - 63 L ODD
  - 64 L ODD
  - 65 L ODD
  - 66 L ODD
  - 67 L ODD
  - 68 L ODD
  - 69 L ODD
  - 70 L ODD
  - 71 L ODD
  - 72 L ODD

PROJECT ENG: R. WEYAND	DATE: 12/16/83	DESIGN NO: 00304-M-010
REV: 01	REV: 01	REV: 01
5 MHz CPU	SCHEMATIC DWG	ADD: 91490-0000
MIDWAY MFG. CO.		



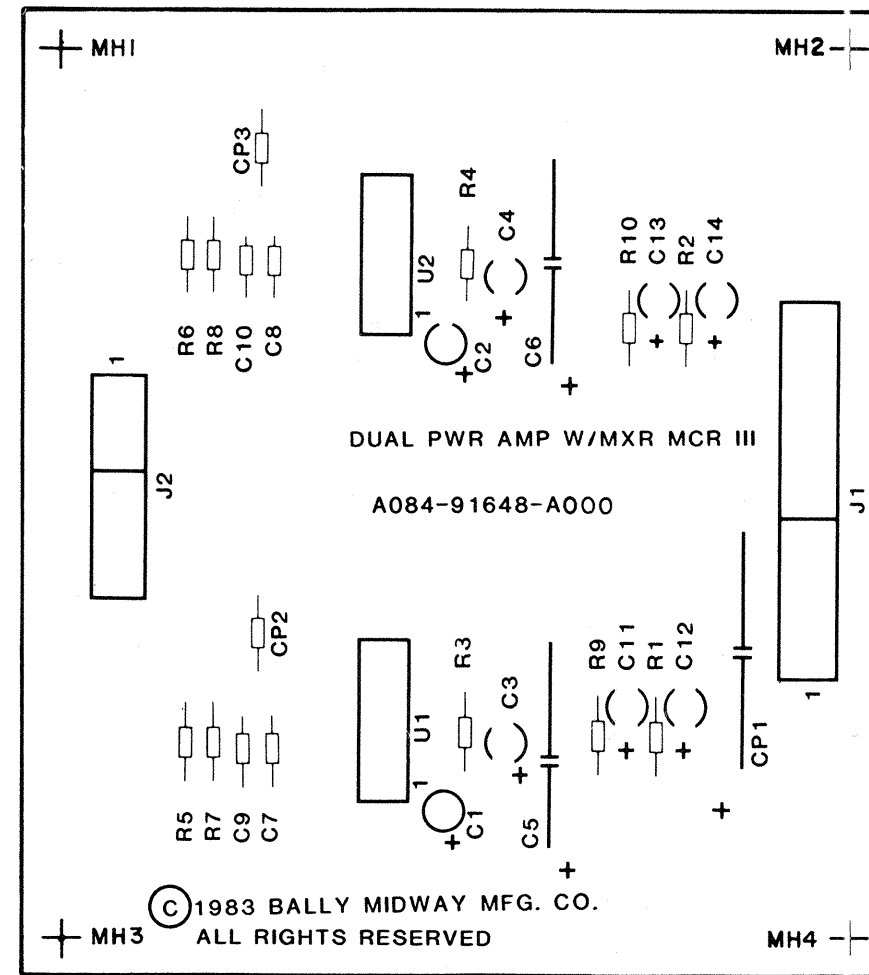


REVISIONS	

PROJECT ENG: CARY MEDNICK		USED ON MCR/III		Bally   MIDWAY MFG. CO. FRANKLIN PK ILL	
DO NOT SCALE DWG		HEAT TREAT	SCALE	NO. REQ'D   PER	
DIM TOLERANCES UNLESS SPECIFIED		MAT'L.	SCHEMATIC DRAWING		PART NO.
CONCENTRICITY F.R. .01		FINISH	DUAL PWR AMP W/MXR MCR III		M051 - 00304 - A013
FRACTIONAL .1 5/8		DATE 6/30/83	A084-91648-A000		
DECIMAL .005					
HOLE DIA + .002 000					

DESIGNATION LIST

DESIGNATION NO.	DESCRIPTION
C1,C2	4.7 MF 25V RD TANT.
C3,C4	22 MF 6V RD TANT.
C5,C6	470 MF 6V AX ELECT.
C7-C10	.1 MF 50V AX CR.
C11-C14	4.7 MF 25V RD TANT
CP1	220 MF 25V AX ELECT.
CP2,CP3	.1 MF 50V AX CR.
R1,R2	2.7K OHM 1/4W 5% CRBN.
R3,R4	27 OHM 1/4W 5% CRBN.
R5-R8	1 OHM 1/2W 5% CRBN.
R9,R10	2.7K OHM 1/4W 5%
U1,U2	MB3730
J1	.045 SQ. PIN
J2	.045 SQ. PIN
HSU1,U2	HEATSINK ASSY
MH1-MH4	1/4" SPACER FOR #8 SCREW
DUAL PWR AMP W/MXR	A080-91648-A000

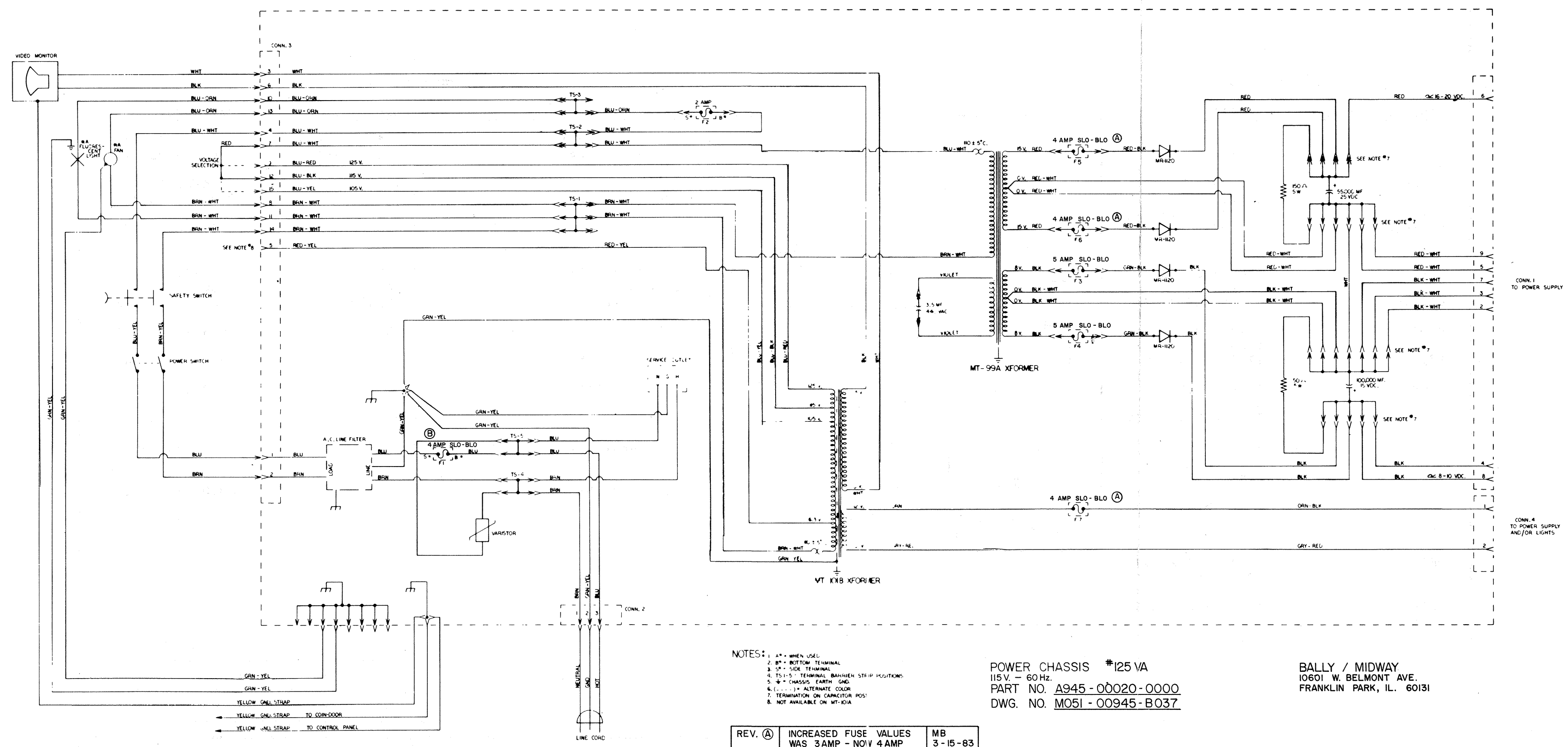


CROSS REFERENCE LIST

DESCRIPTION	QTY	DESIGNATION NO.	PART NOS.
.1 MF 50V AX CR.	6	C7-C10,CP2,CP3	0986-00800-1100
4.7 MF 25V RD TANT.	6	C1,C2,C11-C14	0986-00800-3100
22 MF 6V RD TANT	2	C3,C4	0986-00800-1600
220 MF 25V AX ELECT.	1	CP1	0986-00800-3200
470 MF 6V AX ELECT.	2	C5,C6	0986-00800-1700
1 OHM 1/2W 5%	4	R5-R8	0062-02603-1XXX
27 OHM 1/4W 5%	2	R3,R4	0062-068B3-1XXX
2.7K 1/4W 5%	4	R1,R2,R9,R10	0062-199B3-1XXX
MB3730	2	U1,U2	0066-188XX-XX4X
.045 SQ. PIN	5	J2	0017-00033-0480
.045 SQ. PIN	10	J1	0017-00033-0480
HEATSINK ASSY	2	HSU1,HSU2	A986-00010-0000
1/4" SPACER FOR #8 SCREW	4	MH1-MH4	0017-00042-0320
DUAL PWR AMP W/MXR	1		A080-91648-A000

REVISIONS	

PROJECT ENG: C. MEDNICK		USED ON MCR III		Bally / MIDWAY MFG. CO. FRANKLIN PK. ILL.	
DO NOT SCALE DIMS.		SCALE FULL	NO. REQ'D 1 PER		
DIM TOLERANCES UNLESS SPECIFIED		DRN. RLW	MAT L.	ASSEMBLY DWG. DUAL POWER AMP W/ MIXER MCR III A080-91648-A000	
UNLESS OTHERWISE SPECIFIED		CKD.	FINISH		
HOLE DIA. + .002 0.00		DATE 07/05/83			
				PART NO. M051 - 00304 - A012	



- NOTES:
1. \* - WHEN USED.
  2. B\* - BOTTOM TERMINAL.
  3. S\* - SIDE TERMINAL.
  4. TS1-5 - TERMINAL BANQUET STRIP POSITIONS.
  5. \* - CHASSIS EARTH GND.
  6. (...) - ALTERNATE COLOR.
  7. TERMINATION ON CAPACITOR POS.
  8. NOT AVAILABLE ON MT-101A.

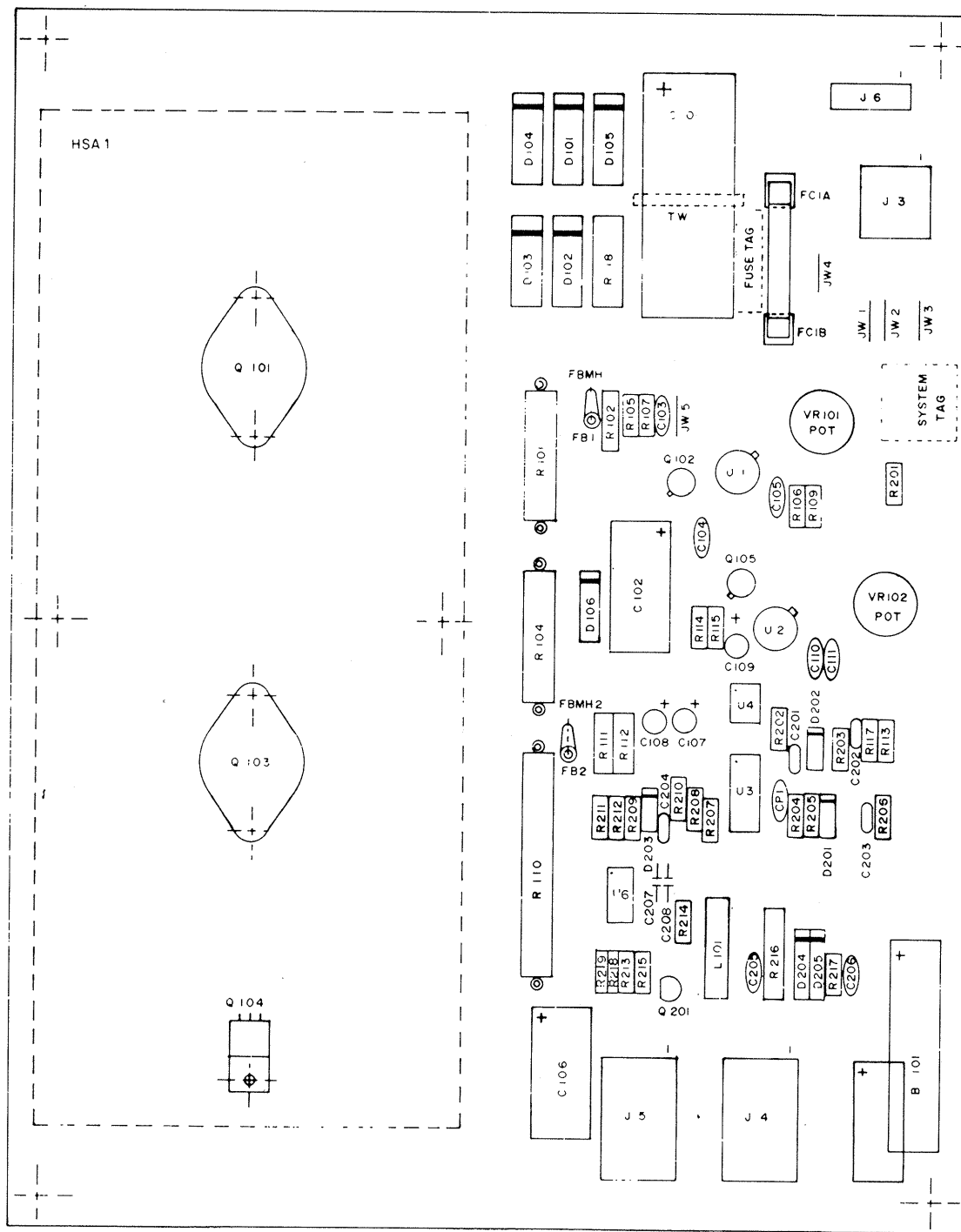
POWER CHASSIS \*125 VA  
 115 V. - 60 HZ.  
 PART NO. A945-00020-0000  
 DWG. NO. M051-00945-B037

BALLY / MIDWAY  
 10601 W. BELMONT AVE.  
 FRANKLIN PARK, IL. 60131

REV. (A)	INCREASED FUSE VALUES WAS 3 AMP - NOV 4 AMP ADDED PART NO. (UL)	MB 3-15-83
REV. (B)	INCREASED FUSE VALUE WAS 3AMP - NOV 4AMP	MB 3-24-83

DESIGNATION LIST

DESIGNATION #	DESCRIPTION	DESIGNATION #	DESCRIPTION
C101	4700uf AX. ELECT.		
C102	470uf AX. ELECT.		
C103	.1uf AX. CER.	D101	A15F
C104	.1uf AX. CER.	D102	A15F
C105	47pf AX. CER.	D103	A15F
C106	470uf AX. ELECT.	D104	A15F
C107	100uf RD. TANT.	D105	A15F
C108	1uf RD. TANT.	D106	1N4001
C109	4.7uf RD. TANT.	D201	1N4148
C110	.1uf AX. CER.	D202	1N4148
C111	.1uf AX. CER.	D203	1N4148
C201	.01uf MYLAR	D204	1N4001
C202	.033uf MYLAR	D205	1N4001
C203	.01uf MYLAR		
C204	.047uf MYLAR		
C205	820pf AX. CER.		
C206	.01uf AX. CER.		
C207	0.082uf MYLAR		
		Q102	2N2905
		Q105	2N2905
		Q201	2N4401
CP1	.1uf AX. CER.	U1	LM305 REG.
		U2	LM305 REG.
		U3	LM3900
		U4	4N28
		U6	555
R101	.18ohm 5W W/RES. SPACER		
R102	68ohm 1/2W 5%		
R104	10ohm 5W W/RES. SPACER	L101	.22uH INDUCTOR
R105	27ohm 1/4W 5%		
R106	270ohm 1/4W 5%		
R107	6.2K 1/4W 5%		
		B101	BATTERY 3.6VDC 60DEG-C
		F1	3 BA S BLO FUSE
R109	1K 1/4W 5%		
R110	.16ohm 15W W/RES. SPACER	FC1A,1B	FUSE CLIP
R111	6.8ohm 1/2W 5%		
R112	68ohm 1/2W 5%	FB1,2	FERRITE BEAD
R113	1.2K 1/4W 5%		
R114	47ohm 1/4W 5%		
R115	160ohm 1/4W 5%	TW1	TIE WRAP
R117	560ohm 1/4W 5%	J3	9PIN P.C. MOUNT CONN.(MALE)
R118	150ohm 2W	J4	15PIN P.C. MOUNT CONN.(FEMALE)
R201	270ohm 1/4W 5%	J5	15PIN P.C. MOUNT CONN.(MALE)
R202	1.2K 1/4W 5%	J6	3PIN P.C. MOUNT CONN.(MALE)
R203	1.1M 1/4W 5%		
R204	3.3M 1/4W 5%	LB1	FUSE TAG
R205	10M 1/4W 5%	LB2	SYSTEM TAG
R206	100K 1/4W 5%		
R207	33K 1/4W 5%	HSA1	HEAT SINK ASS'Y 1
R208	2M 1/4W 5%		
R209	1M 1/4W 5%	MHSA1	MOUNTING HARD WARE(HEAT SINK)
R210	1.2M 1/4W 5%		
R211	75K 1/4W 5%		
R212	75K 1/4W 5%		
R213	220K 1/4W 5%		
R214	3.9K 1/4W 5%		
R215	1.2K 1/4W 5%		
R216	82ohm 1W 10%	JW1-5	JUMPER WIRE
R217	270ohm 1/4W 5%		
R218	110K 1/4W 5%		
R219	68ohm 1/2W 5%	FBM1,2	FERRITE BEAD MOUNTING HARDWARE
VR101,102	100ohm POT		



DESCRIPTION	Q'ty
.7pf AX. CER.	1
.120pf AX. CER.	1
.31uf AX. CER.	2
.31uf MYLAR	2
.333uf MYLAR	1
.347uf MYLAR	1
0.082uf AX. CER.	1
.1uf AX. CER.	5
1uf RAD. TANT.	1
4.7uf RAD. TANT.	1
100uf RAD. TANT.	1
470uf AX. ELECT.	2
470uf AX. ELECT.	1
.16ohm 15W 5%	1
.18ohm 5W 5%	1
.8ohm 1/2W 5%	1
10ohm 5W 5%	1
27ohm 1/4W 5%	1
47ohm 1/4W 5%	1
68ohm 1/2W 5%	3
82ohm 1W 10%	1
150ohm 2W 5%	1
160ohm 1/4W 5%	1
270ohm 1/4W 5%	3
660ohm 1/4W 5%	1
1K 1/4W 5%	1
1.2K 1/4W 5%	3
3.9K 1/4W 5%	1
6.2K 1/4W 5%	1
33K 1/4W 5%	1
75K 1/4W 5%	2
100K 1/4W 5%	1
1.0K 1/4W 5%	1
220K 1/4W 5%	1
1M 1/4W 5%	1
1.1M 1/4W 5%	1
1.2M 1/4W 5%	1
2M 1/4W 5%	1
3.3M 1/4W 5%	1
10M 1/4W 5%	1
100ohm POT	2

CROSS REFERENCE LIST

DESIGNATION #	PART #	DESCRIPTION	Q'ty	DESIGNATION #	PART #	DESCRIPTION	Q'ty
C105	0945-00811-0100	LM305 REG.	2	U1,2	0945-00813-0100		
C205	0945-00816-0400	555	1	U6	0929-00810-4500		
C206,208	0945-00816-0100	LM3900	1	U3	0945-00813-0200		
C201,203	0945-00816-0200	4N28	1	U4	0945-00813-0300		
C202	0945-00816-0500						
C204	0945-00816-0300						
C207	0945-00816-1900	A15F RECTIFIER	5	D101-105	0945-00804-0200		
C103,104,110,111, CP1	0945-00811-0200						
C108	0915-00811-0300	1N4001	3	D106,204,205	0945-00804-0300		
C109	0945-00811-0400	1N4148	3	D201-203	0945-00804-0500		
C107	0945-00811-0500						
C102,106	0945-00816-0600	2N2905	2	Q102,105	0945-00808-0300		
C101	0945-00811-0700	2N4401	1	Q201	0945-00804-0400		
R110	0945-00815-0100	BATTERY 3.6VDC 60DEG-C	1	B101	0017-00003-0377		
R101	0945-00815-0200	FUSE 3/8A S-BLO	1	F1	0945-00808-0400		
R111	0062-047D3-1XXX	FUSE CLIP	2	FC1A,1B	0017-00003-0214		
R104	0945-00812-0100	TIE WRAP	1	TW1	0945-00814-0300		
R105	0062-068B3-1XXX	FERRITE BEAD	2	FB1,2	0017-00009-0225		
R114	0062-086B3-1XXX	FERRITE MOUNTING HDW.	2	FBM1,2	0017-00033-0139		
R102,112,219	0062-098D3-1XXX						
R216	0062-104F5-1XXX						
R118	0945-00812-0200	22uH INDUCTOR	1	L101	0945-00814-0200		
R115	0062-124B3-1XXX	FUSE TAG	1		M051-00945-A004		
R106,201,217	0062-138B3-1XXX	SYSTEM TAG	1		M051-00945-A009		
R117	0062-162B3-1XXX	P.C.B.	1		A080-90412-U000		
R109	0062-179B3-1XXX						
R113,202,215	0062-183B3-1XXX	HEAT SINK ASS'Y	1	HSA1	A945-00008-0000		
R214	0062-207B3-1XXX	(SEE HS ASS'Y DRAWING "X" NOTE")	2				
R107	0062-217B3-1XXX	4-40 X 10 SLT RND	2	MH HSA 1A, 2A.	0017-00101-00727		
R207	0062-251B3-1XXX	4-40 HEX NUT	2	MH HSA 1E, 2E.	0017-00103-0002		
R211,212	0062-269B3-1XXX	WSH 4-120-.250-018	4	MH HSA 1B, 1D	0017-00104-0071		
R206	0062-275B3-1XXX			MH HSA 2B, 2D			
R218	0062-277B3-1XXX						
R213	0062-291B3-1XXX						
R209	0062-323B3-1XXX						
R203	0062-325B3-1XXX						
R210	0062-327B3-1XXX						
R208	0062-337B3-1XXX	3PIN P.C. MOUNT CONN. (MALE)	1	J6	0017-00021-0443		
R204	0062-347B3-1XXX	9PIN P.C. MOUNT CONN. (MALE)	1	J3	0017-00021-0425		
R205	0062-371B3-1XXX	15PIN P.C. MOUNT CONN. (FEMALE)	1	J4	0017-00021-0441		
		15PIN P.C. MOUNT CONN. (MALE)	1	J5	0017-00021-0440		
VR101,102	0945-00814-0000	22 AWG T & R BARE 2.5"	5	JW1-5	0151-00087-0000		

PROJ. ENG.: L. DEKKER

USED ON: SATAN'S HOLLOW

MIDWAY MFG. CO.

ASSEMBLY DRAWING I25VA PWRSPLY

A082-90412-D000

M051-00945-D006

5/17/82