

Midway's

GAME NO. 588

T.V. FLIPPER

PARTS CATALOG



MIDWAY MFG. CO.
10750 WEST GRAND AVENUE
FRANKLIN PARK, ILLINOIS, 60131, U. S. A.

PHONE: (312) 451-1360

CABLE ADDRESS: MIDCO

TELEX NO.: 72-1596

TABLE OF CONTENTS

	Page No.
GENERAL INSTRUCTIONS	1
T. V. FLIPPER	2—3
HANDLE & BUTTON ASSEMBLIES	4—5
ADDITIONAL PARTS LIST	6
ADJUSTMENTS CHART	7
SCHEMATIC DIAGRAM	8

GENERAL INSTRUCTIONS FOR T.V. FLIPPER

1. Installation:

The power is controlled by a switch located on top of the cabinet. Plug into A.C. only, 115 volts, 60 cycles.

2. Equipment Panel and Logic Units:

Located in back box area and are easily serviced by removing the back door.

3. Score Adjustment Switches:

Located on logic unit (P.C. 588-910) to award extra balls. These switches are located at position E-11 and are adjustable from 1,000 to 99,000. (See instructions in back box area).

4. Method of Play Adjustment Switches:

Located on logic unit (P.C. 588-910) at position F-8. Switches 1 and 2 control the number of balls per game (3, 4, or 5). Switches 4 and 5 control the number of coins per play. (See instructions in back box area).

5. Paddle Control Pot:

Located on paddle control unit (P.C. 588-912), to control the amount of time the paddle appears in an elongated image. To increase time (makes game easier) rotate pot as indicated on unit.

6. Volume Control:

Located on rear right hand side of monitor.

7. To Service Insert:

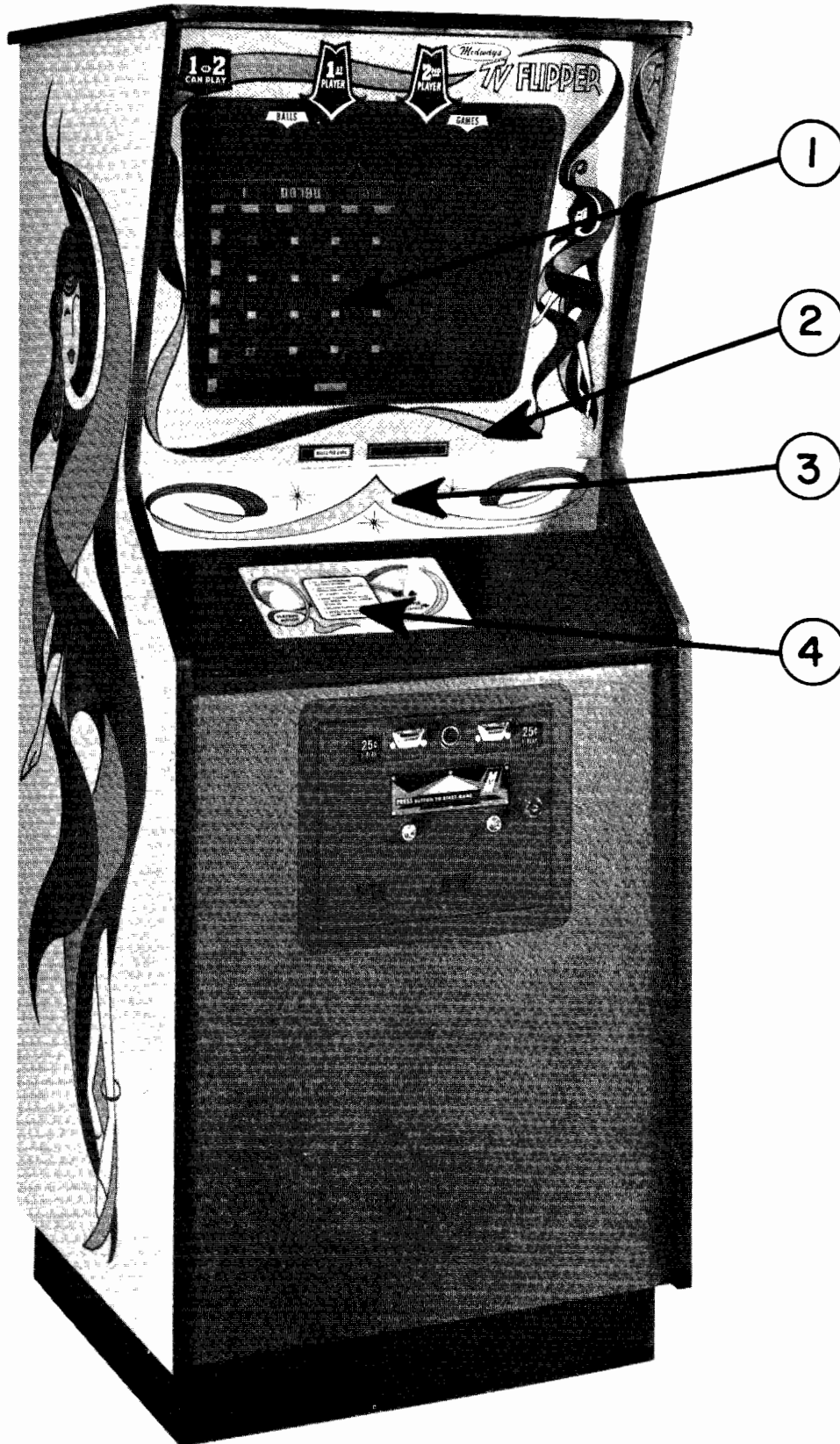
Remove screws in plate on top of cabinet and slide glass up.

NOTE: In the event the logic unit is changed, it may be necessary to re-adjust the pot located below the paddle handle.

Adjustment Procedure:

- 1. Start game and serve ball. Wait until paddle image shrinks.**
- 2. Move paddle handle to extreme right position.**
- 3. Loosen 2 set screws from small paddle gear (from back of cabinet) and rotate pot until paddle image reaches right hand side of picture.**
- 4. Tighten set screws and check paddle image travel to each extremity.**

NO. 588 FLIPPER



MIDWAY MFG. CO.

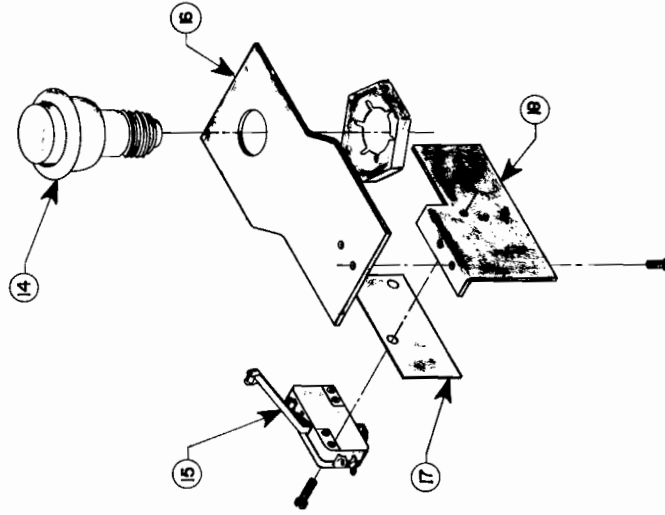
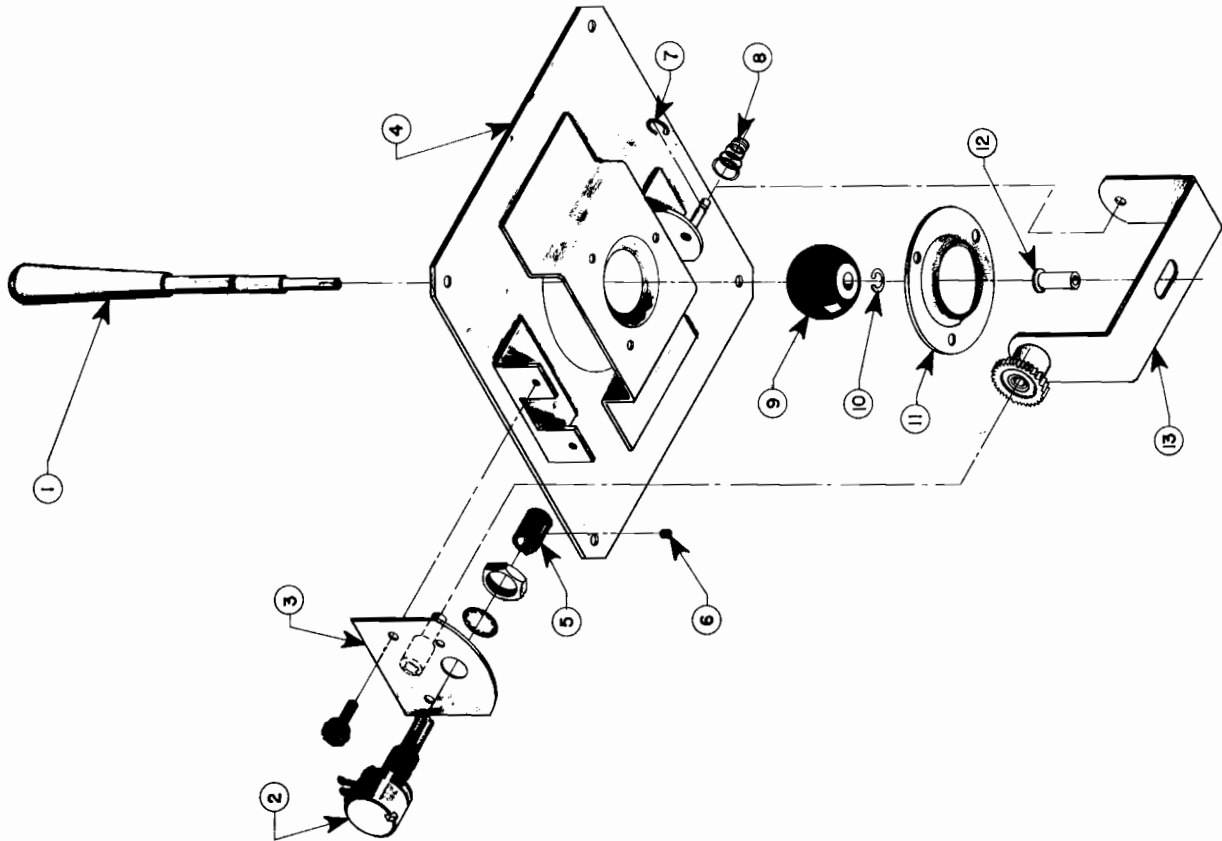
PRICE LIST*ORDER BY PART NUMBER ONLY*

ITEM	PART N^o	DESCRIPTION	PRICE
①	17-3-138	19" TV MONITOR	330.00 EA.
②	588-900	FRONT GLASS (DOMESTIC)	28.40 EA.
③	588-901	FACE TRIM	7.80 EA.
④	588-100	TOP PLATE	5.50 EA.
5	17-5-42	LOCK CAM	.30 EA.
6	17-5-51	LOCK PLATE	.40 EA.
7	17-050-5-46	BACK DOOR LOCK (1350)	3.40 EA.
8	17-175-3-32	SPEAKER (4" UTAH)	5.40 EA.
9	547-035	SPEAKER BEZEL	1.70 EA.
10	549-128	SPEAKER GRILL	1.00 EA.
11	572-103	VENT GRILL	1.20 EA.
12	588-902	FRONT PLEX (FOREIGN)	56.00 EA.
13	588-906	TV BEZEL	14.60 EA.

MIDWAY MFG. CO.

PRICES SUBJECT TO CHANGE WITHOUT NOTICE

PAGE 3



PRICE LIST*ORDER BY PART NUMBER ONLY*

ITEM	PART N^o	DESCRIPTION	PRICE
1	577-700-1	HANDLE	3.20 EA.
2	17-13-181	POT 25K	5.00 EA.
3	588-003	BRACKET & SHAFT ASSY.	1.10 EA.
4	588-002	SUB. PLATE SUB. ASSY.	4.90 EA.
5	588-701	POT PINION	2.20 EA.
6	17-101-301	6-32 SET SCREW	.20 EA.
7	17-100-15	"E" - RING	.20 EA.
8	10-223	CONICAL SPRING	.20 EA.
9	577-701	PIVOT BALL	3.30 EA.
10	17-100-99	C.R. RING	.20 EA.
11	600-126-1	RETAINER	.60 EA.
12	577-703	SLEEVE	.40 EA.
13	588-004	ARCH & GEAR SUB. ASSY.	3.60 EA.
14	17-9-158	PUSH BUTTON	1.20 EA.
15	17-32-06	MICRO SWITCH	2.70 EA.
16	586-107	BUTTON SWITCH MTG. BRACKET	.50 EA.
17	588-911	INSULATOR	.20 EA.
18	588-107	MICRO SWITCH MTG. BRKT.	.40 EA.

MIDWAY MFG. CO.

PRICES SUBJECT TO CHANGE WITHOUT NOTICE

PRICE LIST*ORDER BY PART NUMBER ONLY*

ITEM	PART NO	DESCRIPTION	PRICE
	MT46	60 CYCLE TRANSFORMER (DOMESTIC)	25.00 EA.
	MT47	50 CYCLE TRANSFORMER (FOREIGN)	29.00 EA.
	17-3-52	LAMPS 12V #1895	.30 EA.
	17-3-102	METER (6V.)	10.40 EA.
	17-086-31-02	SOCKETS	.20 EA.
	17-257-3-65	16 FT. LINE CORD	4.60 EA.
	566-120	CASH BOX	6.00 EA.
	566-121	CASH BOX COVER	1.70 EA.
	567-106	SWITCH MOUNTING PLATE	.40 EA.
	588-001	CONTROL ASSY. COMPLETE	43.30 EA.
	588-005	BEZEL BRKT. ASSY.	3.20 EA.
	588-101	PLEX MOUNTING BRACKET	.70 EA.
	588-903	COLOR PLEX (SQUARES)	18.80 EA.
	588-905-288	POWER SUPPLY P.C.	68.60 EA.
	588-907	GRAY PLEX	13.00 EA.
	588-908	LAMP DIRVER P.C.	32.80 EA.
	588-910	LOGIC P.C.	650.00 EA.
	588-912	PADDLE CONTROL P.C.	18.60 EA.

MIDWAY MFG. CO.

No. 588 T. V. FLIPPER '75—ADJUSTMENTS CHART

SCORE ADJUSTMENTS - SW. POS. E-11 ON LOGIC P.C.

BLANK = SW. IN OFF POSITION

1 = SW. IN ON POSITION

No. 1	No. 2	No. 3	No. 4	No. 5	No. 6	No. 7	No. 8	SCORE
				1				1000
					1			2000
				1	1			3000
						1		4000
				1		1		5000
					1	1		6000
				1	1	1		7000
							1	8000
				1			1	9000
1								10,000
	1							20,000
1	1							30,000
		1						40,000
1		1						50,000
	1	1						60,000
1	1	1						70,000
			1					80,000
1			1					90,000

ANY SCORE SELECTION FROM 1,000 - 99,000 MAY BE MADE BY PROPERLY POSITIONING SWITCHES AS INDICATED ABOVE.

METHOD OF PLAY ADJUSTMENTS - SW. POS. F - 8 ON LOGIC P.C.

No. 1	and	No. 2	FUNCTION
		1	GIVES 5 BALLS PER GAME
			GIVES 4 BALLS PER GAME
1		1	GIVES 3 BALLS PER GAME
No. 3			EXTRA BALL - MUST ALWAYS BE IN ON POSITION.
1			
No. 4	and	No. 5	FUNCTION
1		1	GIVES 1 PLAY PER COIN
1			GIVES 2 PLAYS PER COIN
		1	GIVES 2 COINS PER PLAY

NOTE: SWS. NO.4 & NO.5 ARE NEVER IN OFF POS. AT SAME TIME.

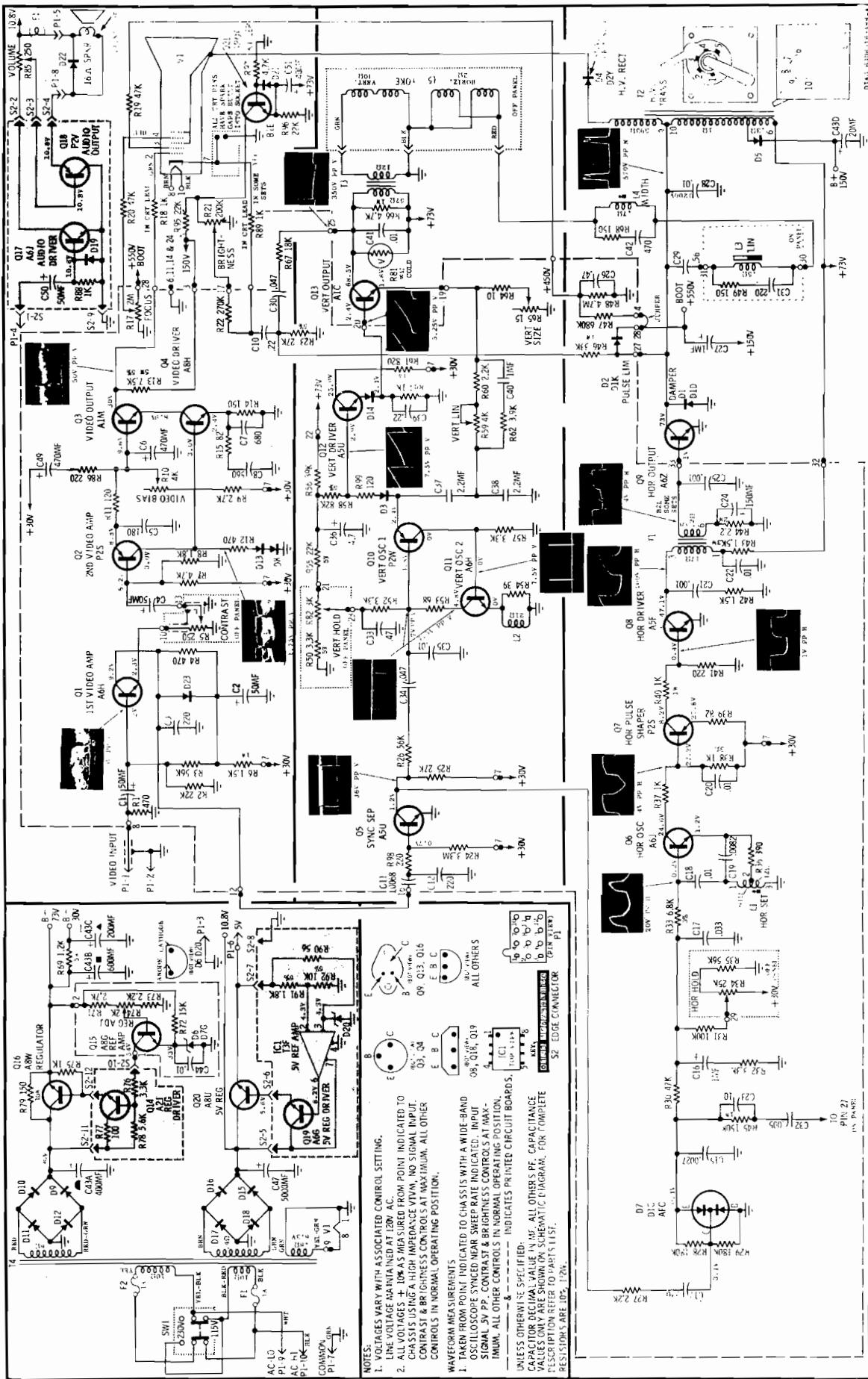
No. 6, 7, and 8 | ALTHOUGH OPEN MUST ALWAYS BE SET IN OFF POS.

EXTRA BALL ADJUSTMENTS

SCORE SET AT	EXTRA BALL AWARDED AT
1000	1000 - 3000 - 5000 - 7000 - 9000 ETC.
2000	2000 - 6000 - 12000 - 16000 ETC.
3000	3000 - 7000 - 13000 - 17000 ETC.
4000	4000 - 14000 - 24000 ETC.
5000	5000 - 7000 - 15000 - 17000 ETC.
6000	6000 - 16000 - 26000 - ETC.
7000	7000 - 17000 - 27000 ETC.
8000	8000 - 18000 - 28000 ETC.
9000	9000 - 19000 - 29000 ETC.

NOTE* ON POSITION IS INDICATED BY + MARKING ON ADJUSTMENT SWITCHES.

19" MONITOR



Schematic Diagram

NOTES:

- VOLTAGES VARY WITH ASSOCIATED CONTROL SETTING.
- LINE VOLTAGE MAINTAINED AT 120V AC.
- ALL VOLTAGES ± 10% AS MEASURED FROM POINT INDICATED TO CHASSIS USING A HIGH IMPEDANCE VVM, NO SIGNAL INPUT.
- CONTRAST & BRIGHTNESS CONTROLS AT MAXIMUM. ALL OTHER CONTROLS IN NORMAL OPERATING POSITION.

WAVEFORM MEASUREMENTS

- TAKEN FROM POINT INDICATED TO CHASSIS WITH A WIDE-BAND OSCILLOSCOPE SYNCED NEAR SWEEP RATE INDICATED. INPUT SIGNAL 5V PP. CONTRAST & BRIGHTNESS CONTROLS AT MAXIMUM. ALL OTHER CONTROLS IN NORMAL OPERATING POSITION.
- — — — — INDICATES PRINTED CIRCUIT BOARD S.

UNLESS OTHERWISE SPECIFIED:
 CAPACITOR DECIMAL VALUE IN MF. ALL OTHERS PF. CAPACITANCE TOLERANCE PER MIL-STD-203. SCHEMATIC DIAGRAM FOR COMPLETE DESCRIPTION REFER TO PART LIST.

SZ: EDGE CONNECTOR