

LICENSED BY NAMCO

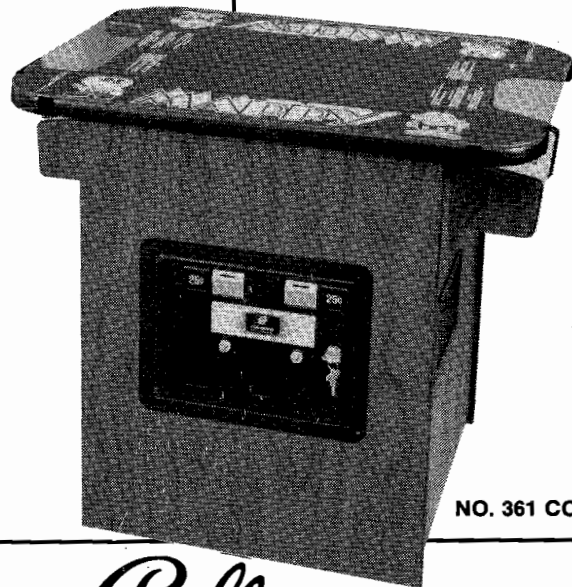
April 1983
Game Nos. 353 & 361



Parts and Operating Manual



NO. 353 UPRIGHT



NO. 361 COCKTAIL

Bally

MIDWAY MFG. CO.

10750 W. Grand Avenue
Franklin Park, Illinois 60131
U.S.A.



Phone: (312) 451-1360

Cable Address: MIDCO

Telex No.: 72-1596

WARNING

THIS GAME MUST BE GROUNDED. FAILURE TO DO SO MAY RESULT IN DESTRUCTION TO ELECTRONIC COMPONENTS.

WARNING: This equipment generates, uses, and can radiate radio frequency energy and if not used in accordance with the instructions manual, may cause interference to radio communications. It has been tested and found to comply with the limits for a CLASS A computing device pursuant to SUBPART J of PART 15 of FCC RULES, which are designed to provide reasonable protection against such interference when operated in a commercial environment. Operation of this equipment in a residential area is likely to cause interference in which case the user at his own expense will be required to take whatever measures may be required to correct the interference.

ELECTRICAL BULLETIN: FOR ALL APPARATUS COVERED BY THE CANADIAN STANDARDS ASSOCIATION (CSA) STANDARD C22.2 NO. 1, WHICH EMPLOYS A SUPPLY CORD TERMINATED WITH A POLARIZED 2-PRONG ATTACHMENT PLUG.

CAUTION: TO PREVENT ELECTRIC SHOCK DO NOT USE THIS (POLARIZED) PLUG WITH AN EXTENSION CORD, RECEPTACLE OR OTHER OUTLET UNLESS THE BLADES CAN BE FULLY INSERTED TO PREVENT BLADE EXPOSURE.

ATTENTION: POUR PREVENIR CHOCS ELECTRIQUES NE PAS UTILISER CETTE FICHE POLARISEE AVEC UN PROLONGATEUR. UNE PRISE DE COURANT OU UNE AUTRE SORTIE DE COURANT, SAUF SI LES LAMES PEUVENT ETRE INSEREES A FOND SANS EN LAISSER AUCUNE PARTIE A DECOUVERT.

***Bally*/MIDWAY**
T.M.

Invites You To Use

**OUR TOLL FREE NUMBERS FOR
SERVICE INFORMATION CONCERNING THIS GAME, OR ANY
OTHER BALLY/MIDWAY™ GAME YOU NOW HAVE ON LOCATION.**

**CALL US FOR PROMPT, COURTEOUS
ANSWERS TO YOUR PROBLEMS.**

**Continental U.S. 800-323-7182
Illinois Only 1-800-942-0497**

© COPYRIGHT MCMLXXXIII BY BALLY/MIDWAY CO. ALL RIGHTS RESERVED.

NO PART OF THIS PUBLICATION MAY BE REPRODUCED BY ANY MECHANICAL, PHOTOGRAPHIC, OR ELECTRONIC PROCESS, OR IN THE FORM OF A PHONOGRAPHIC RECORDING, NOR MAY IT BE TRANSMITTED, OR OTHERWISE COPIED FOR PUBLIC OR PRIVATE USE, WITHOUT PERMISSION FROM THE PUBLISHER. THIS MANUAL IS FOR SERVICE USE ONLY, AND NOT FOR GENERAL DISTRIBUTION. FOR PERMISSION REQUESTS, WRITE: MIDWAY MFG. CO., 10750 W. GRAND AVE., FRANKLIN PARK, IL 60131

Printed in U.S.A.

TABLE OF CONTENTS

DESCRIPTION	PAGE
I. Game Operation	
Self-Test Mode	1-1
Attract Mode	1-3
Ready-To-Play Mode	1-6
Play Mode	1-6
High Score/Initial Mode	1-7
Two Player Operation	1-8
II. Illustrated Parts Breakdown	
No. 353 - MAPPY - Upright - Front	2-2
No. 353 - MAPPY - Upright - Front - Parts List	2-3
No. 353 - MAPPY - Upright - Rear	2-4
No. 353 - MAPPY - Upright - Rear - Parts List	2-5
No. 353 - MAPPY - Upright - Header Fluorescent Light Assy.	2-7
No. 353 - MAPPY - Upright - Header Fluorescent Light Assy. - Parts List	2-7
No. 361 - MAPPY - Cocktail - Front	2-8
No. 361 - MAPPY - Cocktail - Front - Parts List	2-9
No. 361 - MAPPY - Cocktail - Interior Access	2-10
No. 361 - MAPPY - Cocktail - Interior Access - Parts List	2-11
MAPPY - Control Assy. Upright & Cocktail - Parts List	2-12
MAPPY - Control Assy. Upright & Cocktail	2-13
MAPPY - Power Chassis Assy. - 70VA, 115V. - All Versions	2-14
MAPPY - Power Chassis Assy. - 70VA, 115V. - Parts List	2-15
Front Door Assembly - U.S.A. - 25¢	2-16
Front Door Assembly - U.S.A. - 25¢ - Parts List	2-17
III. Schematics and Wiring Diagrams	
Wiring Diagram - Upright	3-1
Wiring Diagram - Cocktail	3-2
F.C.C. Filter PCB Board - Component Layout	3-3
F.C.C. Filter PCB Board - Schematic	3-3
CPU P.C. Board - Component Layout	3-4
CPU P.C. Board - Schematic	3-5
Video P.C. Board - Component Layout	3-6
Video P.C. Board - Schematic	3-7
70VA - Power Supply P.C. Board - Component Layout	3-8
70VA - Power Supply P.C. Board - Schematic	3-9
70VA - Power Chassis Assembly - Schematic	3-10

MAPPY

I. Game Operation

MAPPY is a one or a two player game with a color T.V. monitor. The game gives a display which has all the parts shown on Page 1-7.

SELF-TEST MODE

The Self-Test mode is a special mode for checking the game switches and computer functions. It is the easiest and best way to check for proper operation of the entire game.

The game has five possible modes of operations: ATTRACT, READY-TO-PLAY, PLAY, HIGH SCORE/INITIAL, and SELF-TEST.

NOTE: Putting the game into Self-Test will cause it to erase any CREDITS it has on it from its memory.

You may begin a Self-Test at any time after the power to the game is on by sliding the Self-Test switch to the "ON" position. Now that the game is in the Self-Test mode, it will react as follows:

1. First, you will see several moving multicolored patterns appear on the screen.
2. Immediately following this, a right side up test display is shown on the monitor screen. The game will remain in this Self-Test mode until you set the Self-Test switch back to the "OFF" position. These test displays are shown below.

SELF-TEST DISPLAY AND BOARD LOCATION COORDINATES

SCROLL 00 THROUGH FB (COUNTS IN HEXIDECIMAL - CONTROLLER HELD TO RIGHT FIRST)
RAM OK or (a number i.e. 5, 7, etc.)
ROM OK or (a number i.e. 1, 4, etc.)
I/O OK or (a number i.e. 1, 2, etc.)
UPRIGHT - or - COCKTAIL
1 COIN 1 CREDIT
1 COIN 1 CREDIT
RANK A, B, C, D (DIFFICULTY LEVEL - A = EASIEST SETTING)
MAPPY 3 (OPERATOR SELECTABLE)
SOUND 01, 02, 03, 04, 05, 06, 07, 08, 09, 10, 11, 12, 13, 14, 15, 16, 17, 18, 19, 20, 21, 22, 23
ATS ON
RND OFF (THIS IS A RACK ADVANCE MODE)
1st BONUS FOR 20000 PTS. (OPERATOR SELECTABLE)
2nd BONUS FOR 70000 PTS. (OPERATOR SELECTABLE)

3. If a bad ROM or RAM chip is found by the games internal check system during the Self-Test, the game indicates this to you by showing the location code of the bad chip(s) on the SCREEN. The following table translates the chip location codes into actual positions on the games P.C. Boards.

RAM TEST INDICATIONS AND THEIR MEANINGS

INDICATION	MEANING	CHIP LOCATION
RAM OK	NO RAM IS OUT OF ORDER	
RAM 1	RAM 1 on VIDEO PCB is no good	2H
RAM 2	RAM 2 on VIDEO PCB is no good	2J
RAM 3	RAM 3 on VIDEO PCB is no good	2N
RAM 4	RAM 4 on VIDEO PCB is no good	2L
RAM 5	RAM 5 on VIDEO PCB is no good	2M
RAM 6	RAM 6 on C P U PCB is no good	3K or 3L
RAM 7	RAM 7 on C P U PCB is no good	2D

ROM TEST INDICATIONS AND THEIR MEANINGS

INDICATION	MEANING	CHIP LOCATION
ROM OK	NO ROM IS OUT OF ORDER	
ROM 1	ROM 1 on CPU PCB is no good	1D
ROM 2	ROM 2 on CPU PCB is no good	1C
ROM 3	ROM 3 on CPU PCB is no good	1B
ROM 4	ROM 4 on CPU PCB is no good	1K

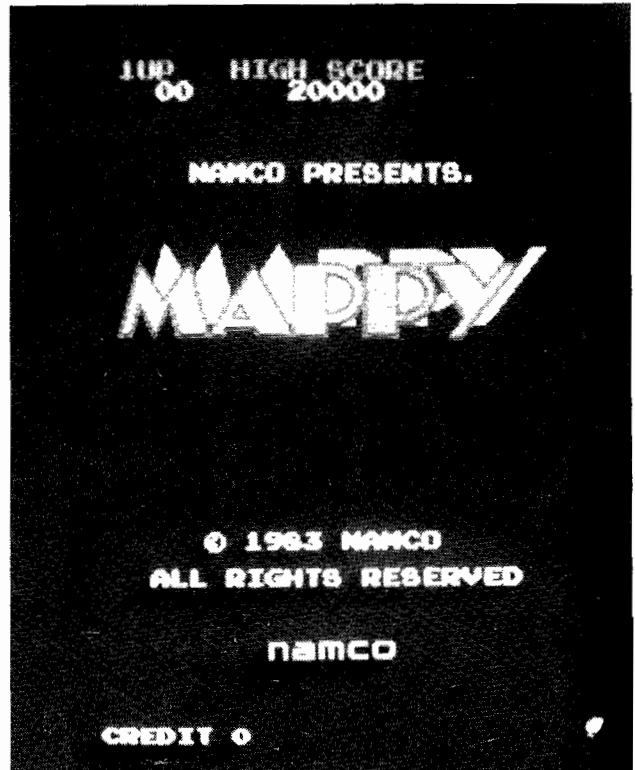
I/O TEST INDICATIONS AND THEIR MEANINGS

INDICATION	MEANING	CHIP LOCATION
I/O OK	NO BIT IS OUT OF ORDER	
I/O 1	BIT C P U 1 is out of order	4F
I/O 2	BIT C P U 2 is out of order	4C

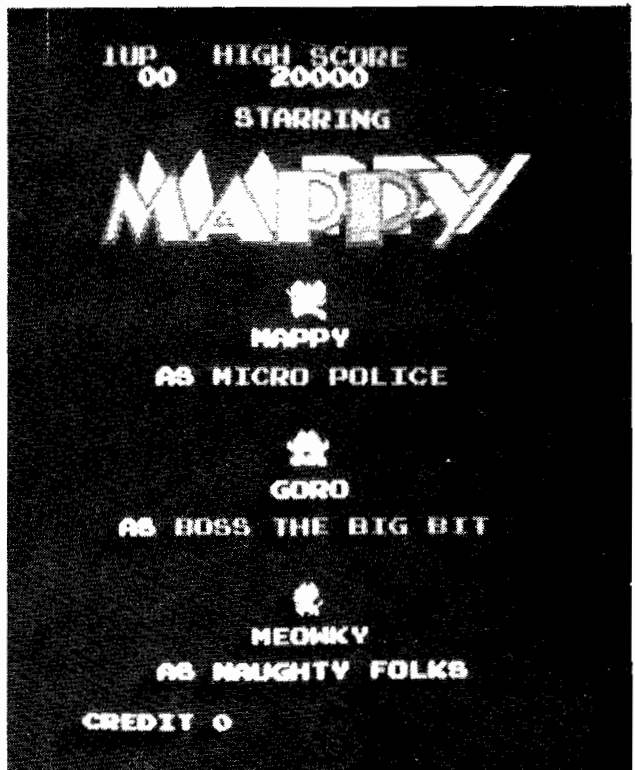
4. "RANK" is a difficultly setting with "RANK A" being the **least** difficult level of play and "RANK D" being the **most** difficult level of play. See the "OPTION SWITCH SETTINGS" table.
5. To check "SOUND" (the game has 23 different sounds):
 - a) Move the controller to the right momentarily and release it - "SOUND" number changes from "00" to "01" and you hear sound "01".
 - b) Press any button or activate the coin switches and sound "01" will change to sound "02" and it is heard.
 - c) Repeat Step 2 with a different button or switch, etc. and - "SOUND 02" changes to "SOUND 03" and it is heard - and so on.
6. To check your game function switches and buttons (coin counter switches, door opening button, 1 PLAYER and 2 PLAYER buttons): activate each one while the game is in the Self-Test mode. You should hear a different game sound for each activation. If you do not hear it, the switch/button is either not working, miswired, or disconnected. Check it out thoroughly.
7. If you wish to produce **only** a CROSS HATCH test pattern on the monitor screen for further use, slide the Self-Test switch to the "ON" position and hold PLAYER 1's controller to the right (WILL NOT WORK WITH PLAYER 2'S CONTROLLER). The CROSS HATCH pattern will scroll on to the screen.
8. When finished with the Self-Test mode, slide the Self-Test switch back to the "OFF" position.
9. Normal game functions will now return to the monitor screen.

ATTRACT MODE

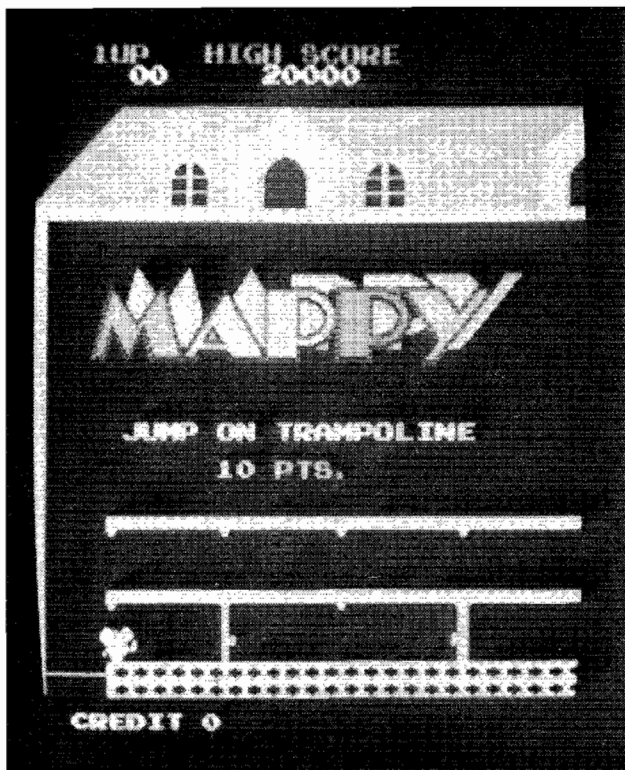
1. The Attract mode starts:
 - Just after power has been turned on to the game. (Self-Test switch is in the "OFF" position.)
 - After a Self-Test has been completed. (Performing a Self-Test sets the credits in the games memory to zero "0".)
 - After a play has been finished, the score was not high enough to put the game into the High Score/Initial mode, and there are no more credits left in the games memory.
 - After the High Score/Initial mode when there are no more credits left in its memory.
 - In the Attract mode, the game will give the following displays **centered** on the monitor screen:



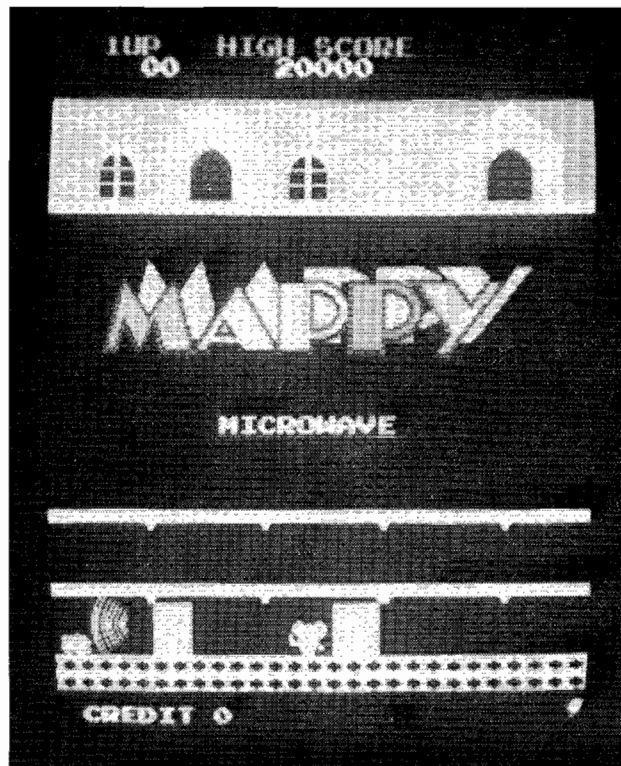
Attract Mode Display 1



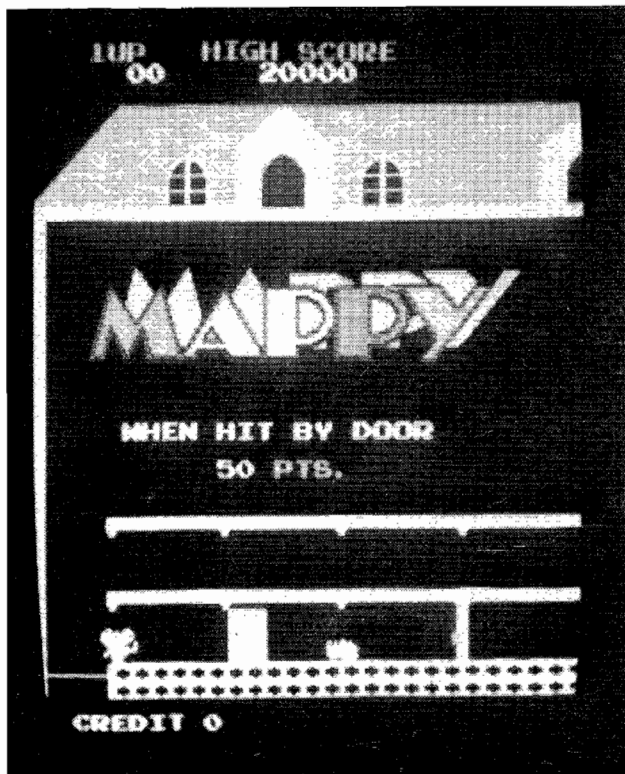
Attract Mode Display 2



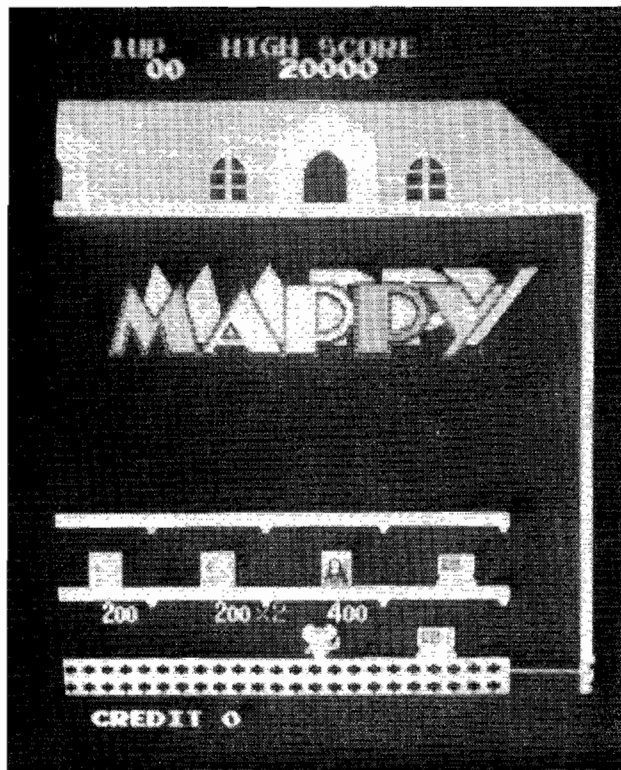
Attract Mode Display 3



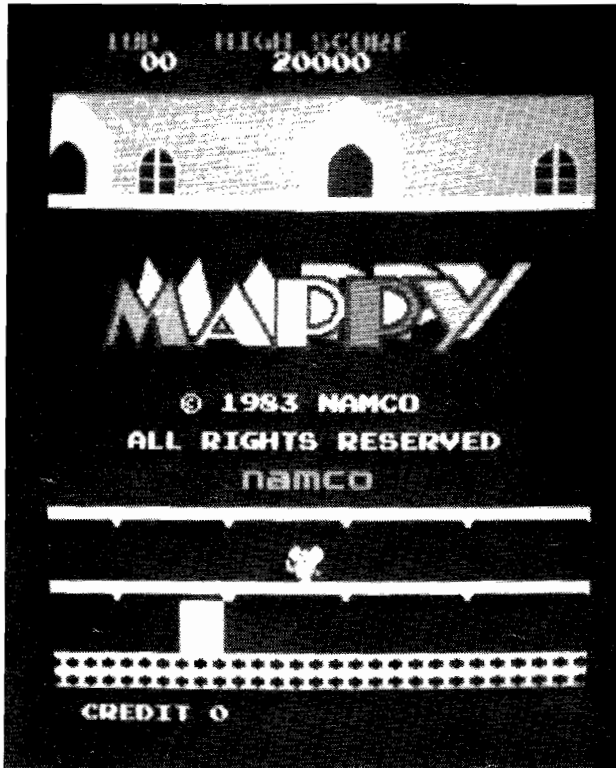
Attract Mode Display 5



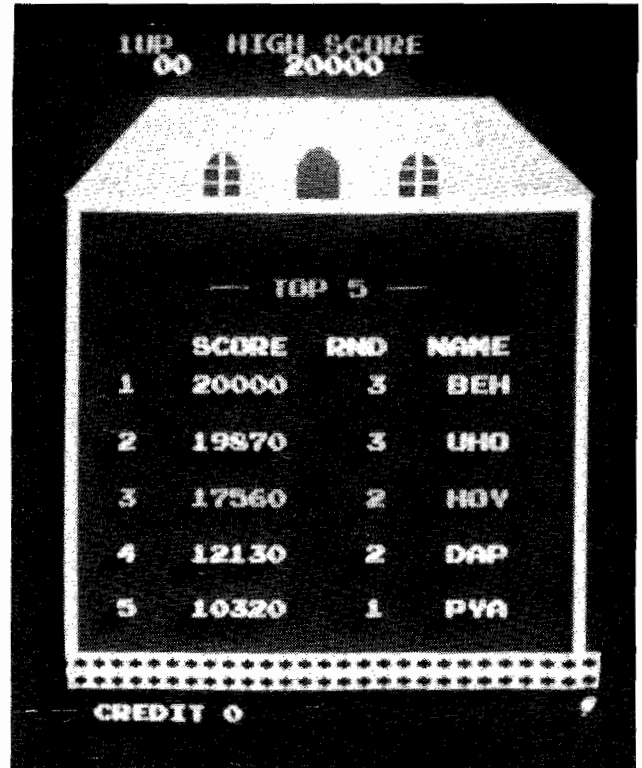
Attract Mode Display 4



Attract Mode Display 6

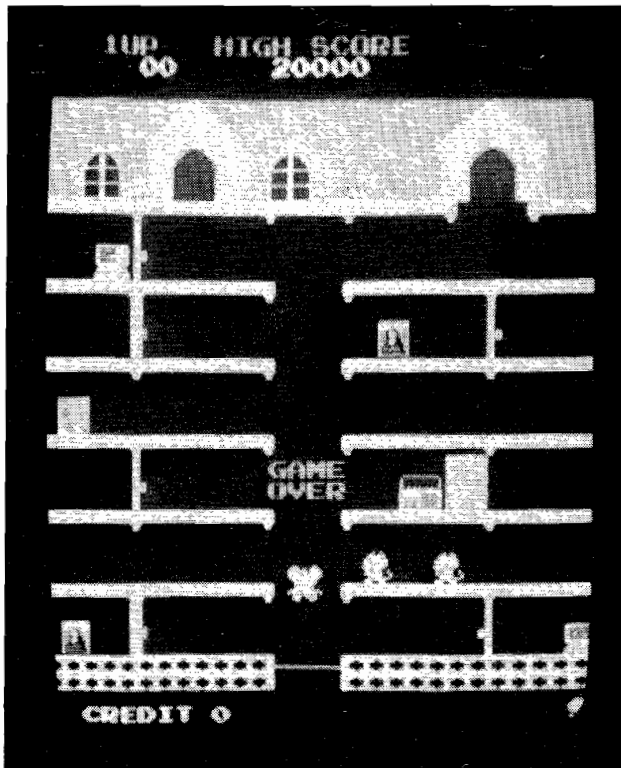


Attract Mode Display 7

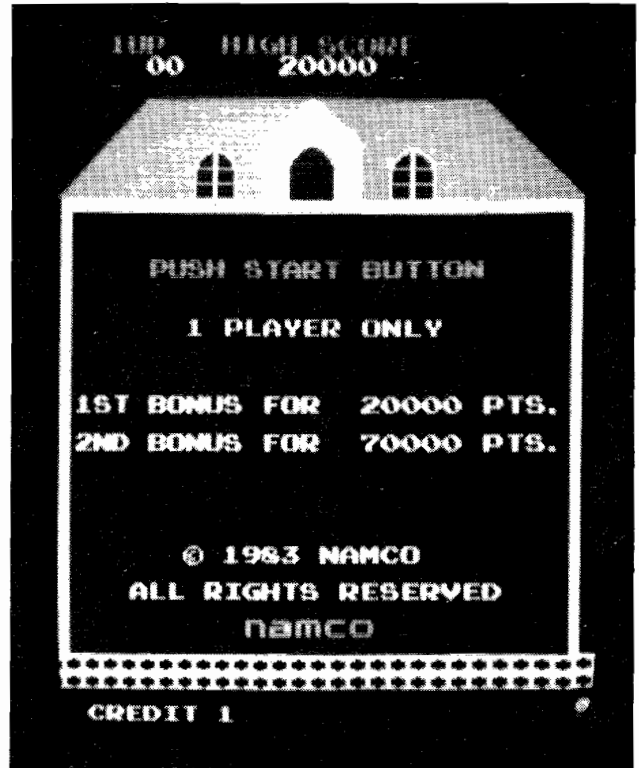


Attract Mode Display 9

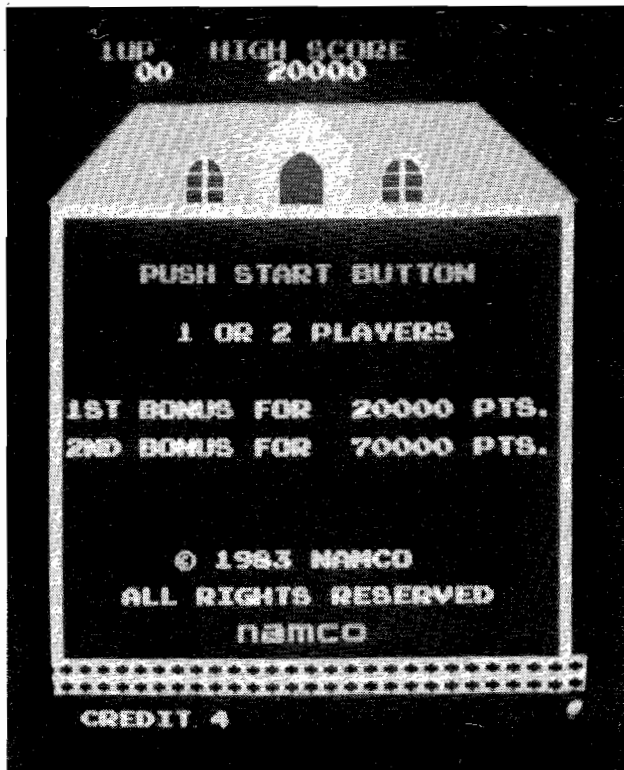
- No matter where the game is in the Attract mode sequence, it will immediately go to the following display as soon as a game has been paid for.



Attract Mode Display 8



Ready-To-Play Mode Display 1



Ready-To-Play Mode Display 2

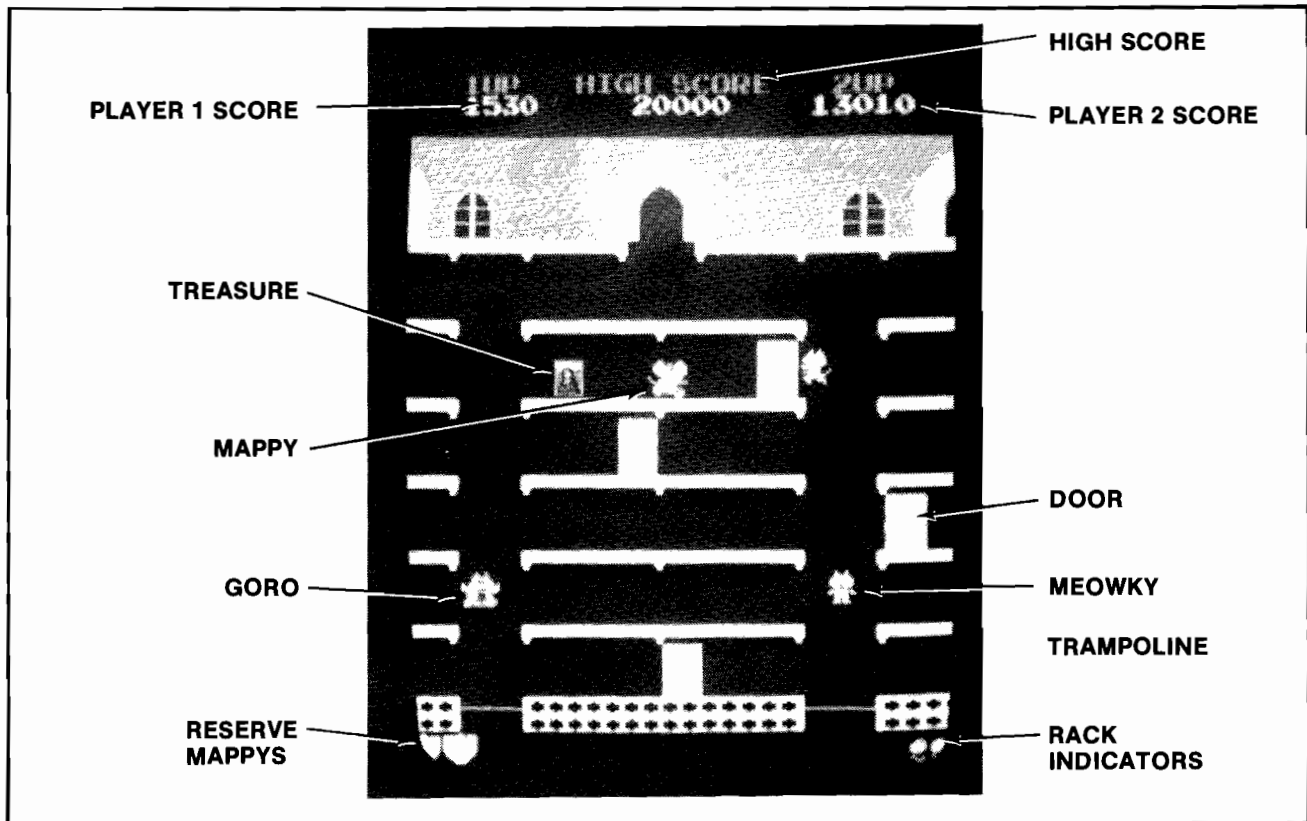
READY-TO-PLAY MODE

1. The Ready-To-Play mode starts when enough coins have been accepted for a 1 or a 2 player game.
2. The Ready-To-Play mode ends when either the "1 PLAYER" or the "2 PLAYER" push button is pressed.
3. In the Ready-To-Play mode, the game will give the above displays **centered** on the monitor screen.
4. If no START button is pressed, the displays will remain indefinitely as shown above.

PLAY MODE

1. The Play mode begins when either the "1 PLAYER" or the "2 PLAYER" start button is pressed. "PLAYER ___ READY" is displayed **centered** on the screen.
2. The Play mode ends when all of your MICE have been caught. When this happens, "GAME OVER" is written across the center of the monitor screen.

3. When playing this game, you are the MOUSE'S controlling force. It is up to you to direct him through the maze of floors and doors to gather his treasures. Your job is to develop CAT avoidance strategies to keep him away from his pursuers (the CATS), and to give him guidance while gathering his treasures.
4. These pursuers are very sneaky and, if given half a chance, will try to corner your MOUSE at the end of one of the platforms or to trap him on one of the floors he must use to get to the treasures he's after.
5. The MOUSE'S pursuers have no defense mechanisms of any kind. But they CANNOT be PERMANENTLY eliminated either. As soon as your MOUSE puts one pursuer out of commission, another appears somewhere else on the screen.
6. However, in an emergency, your MOUSE can slow one pursuer down for short periods of time. This is accomplished by having him throw open a standard door in his pursuers face to knock him down and stun him. When hit by the door, his pursuer will be stunned for several seconds. When he is disabled like this, the MOUSE can walk right by him and not be caught. To temporarily eliminate more than one pursuer at a time, you must catch them in the radar waves emitted when opening the thick flashing doors.
7. As your skill level increases, the number and direction of pursuers coming at your MOUSE at any one time and the speed with which they move, is gradually increased; plus, their pursuit patterns become more and more devious while their overall accuracy is highly improved.
8. Bonus MICE are awarded to you periodically throughout the game as you reach or pass certain preselected point values. (These may be varied by the Owner/Operator.)
9. A Bonus Rack is awarded to you as your 3rd Rack and every 4th Rack thereafter i.e. in the 7th, 11th, 15th, 19th, etc. Racks.
10. When your MOUSE completes a Rack, the screen is cleared, the number of the next Rack is displayed in the center of the screen, the next Rack maze appears on the screen, your MOUSE appears at the bottom right hand corner of the screen, and play begins anew.
11. When the pursuers happen to catch one of your MICE, assuming you have a least one remaining in reserve, play stops, the screen is cleared, and the words "PLAYER ___ READY" "ROUND ___" appear **centered** on the monitor screen BEFORE play begins again.



Display of "On-Screen" Graphics During Game Play High Score/Initial Mode Display

12. When the pursuers catch your **last** MOUSE, the words "GAME OVER" are displayed **centered** on the monitor screen. (AT THIS POINT, SEVERAL DIFFERENT THINGS CAN HAPPEN.)

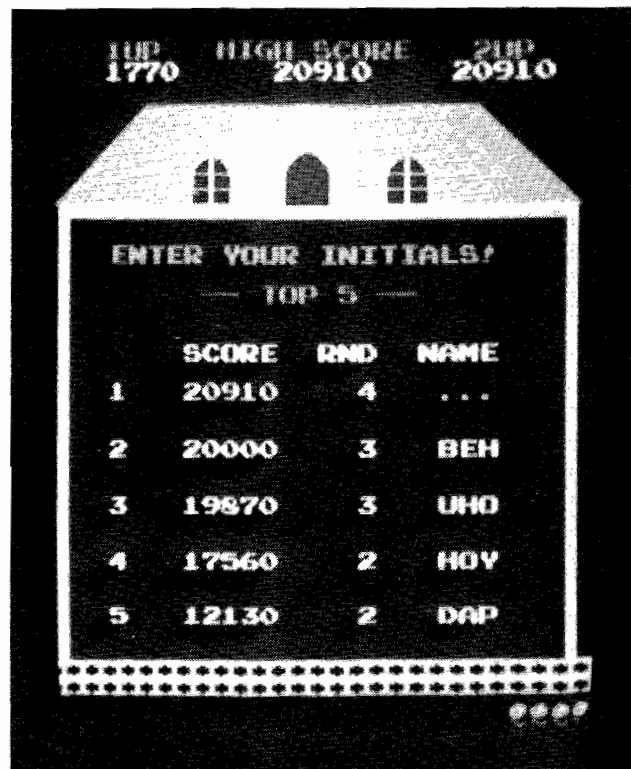
If your score was one of the Top 5, the game will go directly to the High Score/Initial mode presentation. If your score is not high enough to cause the game to go into the High Score/Initial mode, it will either go to the Attract mode (if there are no more credits left in its memory) or into the Ready-To-Play mode (if there are still credits left in its memory).

HIGH SCORE/INITIAL MODE

In the High Score/Initial mode the game gives a display which looks like that shown at right.

When in the High Score/Initial mode, there are three "DOTS" opposite your score in the area where your initials should be.

By moving the controller stick to the right, the letters of the alphabet will appear in the place where your first initial will go and will sequence forward through it: "A", "B", "C", "D", etc. By moving the controller stick to the left, the letters can be made to sequence backward through the alphabet: "Z", "Y", "X", "W", etc.



High Score/Initial Mode Display

When you reach your initial, release the controller and push the DOOR button. Your initial is frozen in place. If you do not wish to put your initials opposite your score, just press the DOOR button three times. Three "DOTS" will appear opposite your score.

After the High Score/Initial mode, the game will either go to the Attract mode (if there are no more credits left in its memory) or into the Ready-To-Play mode (if there are still credits left in its memory).

Most of the above holds true in the "2 PLAYER" mode also. But there are a few minor differences.

TWO PLAYER OPERATION

The Upright and Cocktail Table models both have two player operation.

In the two player mode, the rules of play are the same as in the single player mode. There are some additional rules, however.

1. In the Upright models, the players must take turns at the controls.
2. In the Cocktail Table model, each player has his own set of individual controls. The picture will flip to face you when it is your turn. (When it is not your turn, your set of controls will have NO effect on the game.)
3. Your turn lasts until the pursuers catch your MOUSE. At this point, the game will do one of several things depending on whether or not the caught MOUSE was your last or if you still have others remaining in reserve.

MOUSE CAUGHT - OTHERS REMAINING IN RESERVE

- The GAME stops.
- Next, the Rack changes to the Rack number the other player is in, it displays "PLAYER ___" - "GAME START" while what's left of the other players Rack and his MOUSE appears on the screen.
- Play then begins for the other player.

MOUSE CAUGHT - NO OTHERS REMAINING IN RESERVE

- Game displays "PLAYER ___" - "GAME OVER".
- Next, if your score was one of the five best scores, the game will go into the High Score/Initial mode immediately.

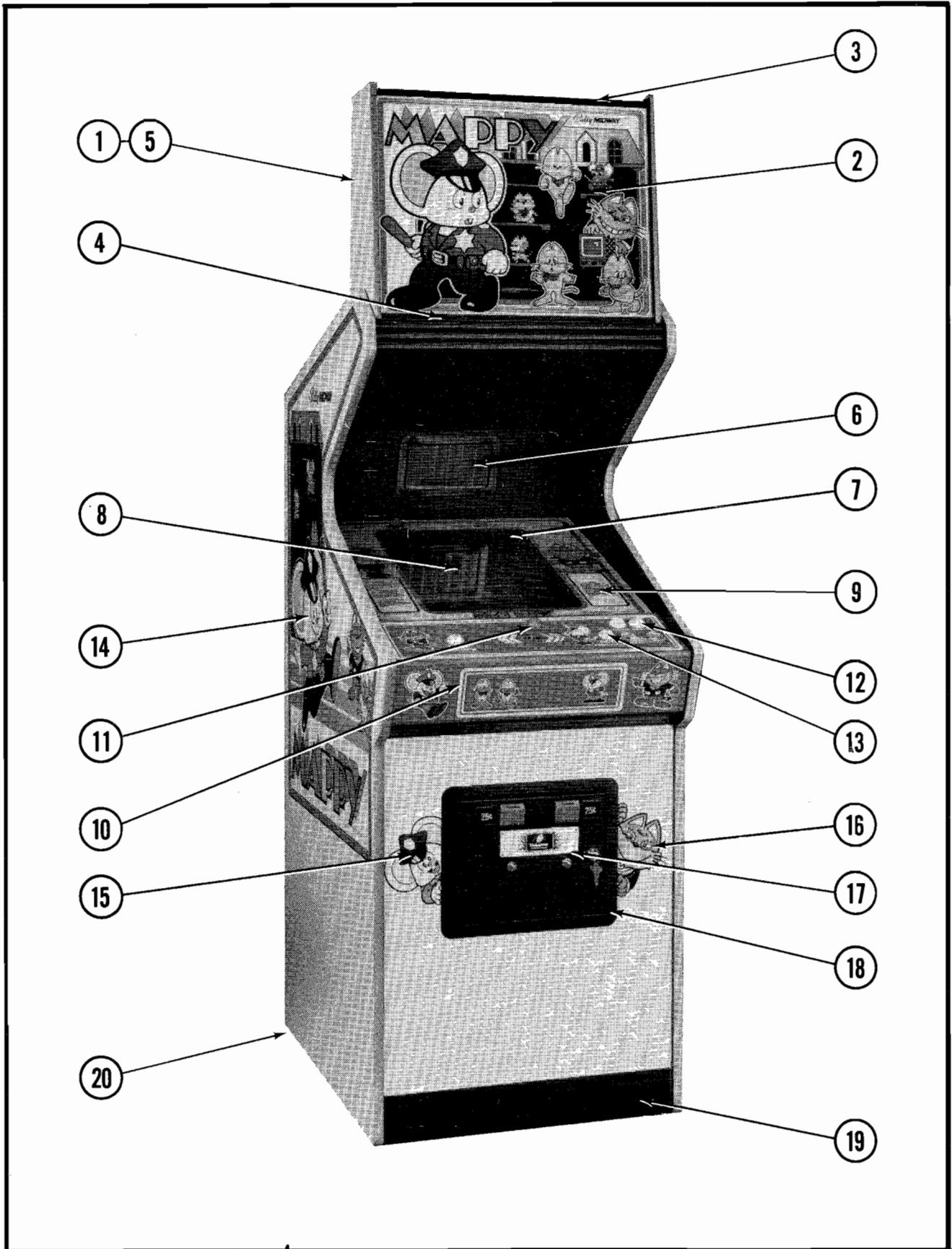
- After this, the Rack changes to the Rack number the other player is in, the game will display "PLAYER ___ READY" while what's left of the other players maze and his MOUSE appear on the monitor screen. Game play then begins for the other player.
- If your score was not high enough to cause the game to go into the High Score/Initial mode, the game will display "PLAYER ___ READY" while what's left of the other players maze and his MOUSE appear on the monitor screen. Game play then begins for the other player.
- After the last player has finished his game, if his score was one of the five best scores, the game will go into the High Score/Initial mode immediately.
- If his score was NOT high enough to cause the game to go into the "High Score/Initial" mode, the game will either go to the Attract mode (if there are no more credits left in its memory) or into the Ready-To-Play mode (if there are still credits left in its memory).

MAPPY									
OPTION SWITCH SETTINGS									
DIP SWITCH A (5B)									
DIFFICULTY LEVEL SETTINGS — "A" IS THE EASIEST AND "D" IS THE MOST DIFFICULT									
DIFFICULTY LEVEL*	"A" EASY	SW#1	SW#2	SW#3	SW#4	SW#5	SW#6	SW#7	SW#8
	"B"	OFF	OFF	NOT USED	NOT USED	NOT USED			
	"C"	ON	OFF	USED	USED	USED			
	"D" MOST DIFFICULT	OFF	ON	MUST BE OFF!	MUST BE OFF!	MUST BE OFF!			
		ON	ON						
GAME SOUNDS									
* GAME PROVIDES SOUND IN ATTRACT MODE		SW#1	SW#2	SW#3	SW#4	SW#5	SW#6	SW#7	SW#8
GAME DOES NOT PROVIDE SOUND IN ATTRACT MODE				NOT USED	NOT USED	NOT USED	OFF		
				USED	USED	USED	ON		
				MUST BE OFF!	MUST BE OFF!	MUST BE OFF!			
ROUND CHANGE									
* NORMAL OPERATION RACK ADVANCE		SW#1	SW#2	SW#3	SW#4	SW#5	SW#6	SW#7	SW#8
				NOT USED	NOT USED	NOT USED		OFF	
				USED	USED	USED		ON	
				MUST BE OFF!	MUST BE OFF!	MUST BE OFF!			
FREEZE VIDEO									
* MONITOR OPERATES NORMALLY FREEZE VIDEO (MONITOR PRESENTATION STOPS MOVING)		SW#1	SW#2	SW#3	SW#4	SW#5	SW#6	SW#7	SW#8
				NOT USED	NOT USED	NOT USED			OFF
				USED	USED	USED			ON
				MUST BE OFF!	MUST BE OFF!	MUST BE OFF!			
* INDICATED FACTORY RECOMMENDED SETTINGS FOR THESE SWITCHES						PART NO. M051-00353-A007			

MAPPY									
OPTION SWITCH SETTINGS									
DIP SWITCH B (5E)									
COINS PER CREDIT — COIN SWITCH NUMBER 1									
* 1 COIN	1 CREDIT	SW#1	SW#2	SW#3	SW#4	SW#5	SW#6	SW#7	SW#8
1 COIN	2 CREDITS	OFF	OFF	OFF					
1 COIN	3 CREDITS	ON	OFF	OFF					
1 COIN	6 CREDITS	OFF	ON	OFF					
2 COINS	1 CREDIT	ON	ON	OFF					
2 COINS	3 CREDITS	OFF	OFF	ON					
3 COINS	1 CREDIT	ON	OFF	ON					
3 COINS	2 CREDITS	OFF	ON	ON					
3 COINS	2 CREDITS	ON	ON	ON					
BONUS SHIPS AWARDED AT THE FOLLOWING POINT VALUES:									
BEGAN WITH 1, 2 OR 3 MAPPY'S	BEGAN WITH 5 MAPPY'S	SW#1	SW#2	SW#3	SW#4	SW#5	SW#6	SW#7	SW#8
1st MAPPY 20000*	ONE MAPPY 30000								
2nd MAPPY 70000	2nd MAPPY 80000				OFF	OFF	OFF		
1st MAPPY 20000	1st MAPPY 30000								
2nd MAPPY 60000	2nd MAPPY 100000				ON	OFF	OFF		
1st MAPPY 20000	1st MAPPY 30000								
2nd MAPPY 80000	2nd MAPPY 120000				OFF	ON	OFF		
1st MAPPY 30000	1st MAPPY 30000								
2nd MAPPY 100000	ONLY				ON	ON	OFF		
1st MAPPY 20000	1st MAPPY 40000								
ONLY	ONLY				OFF	OFF	ON		
1st MAPPY 20000	1st MAPPY 30000								
and EVERY 70000	and EVERY 100000				ON	OFF	ON		
1st MAPPY 20000	1st MAPPY 40000								
and EVERY 80000	and EVERY 120000				OFF	ON	ON		
NO BONUS MAPPY'S GIVEN WITH THIS SETTING					ON	ON	ON		
DETERMINES NUMBER OF SPACE FIGHTERS PLAYER BEGINS GAME WITH:									
* 3 MAPPY'S								OFF	OFF
5 MAPPY'S								ON	OFF
1 MAPPY								OFF	ON
2 MAPPY'S								ON	ON
* INDICATED FACTORY RECOMMENDED SETTINGS FOR THESE SWITCHES						PART NO. M051-00353-A007			

II. Illustrated Parts Breakdown

NO. 353 - MAPPY - UPRIGHT - FRONT

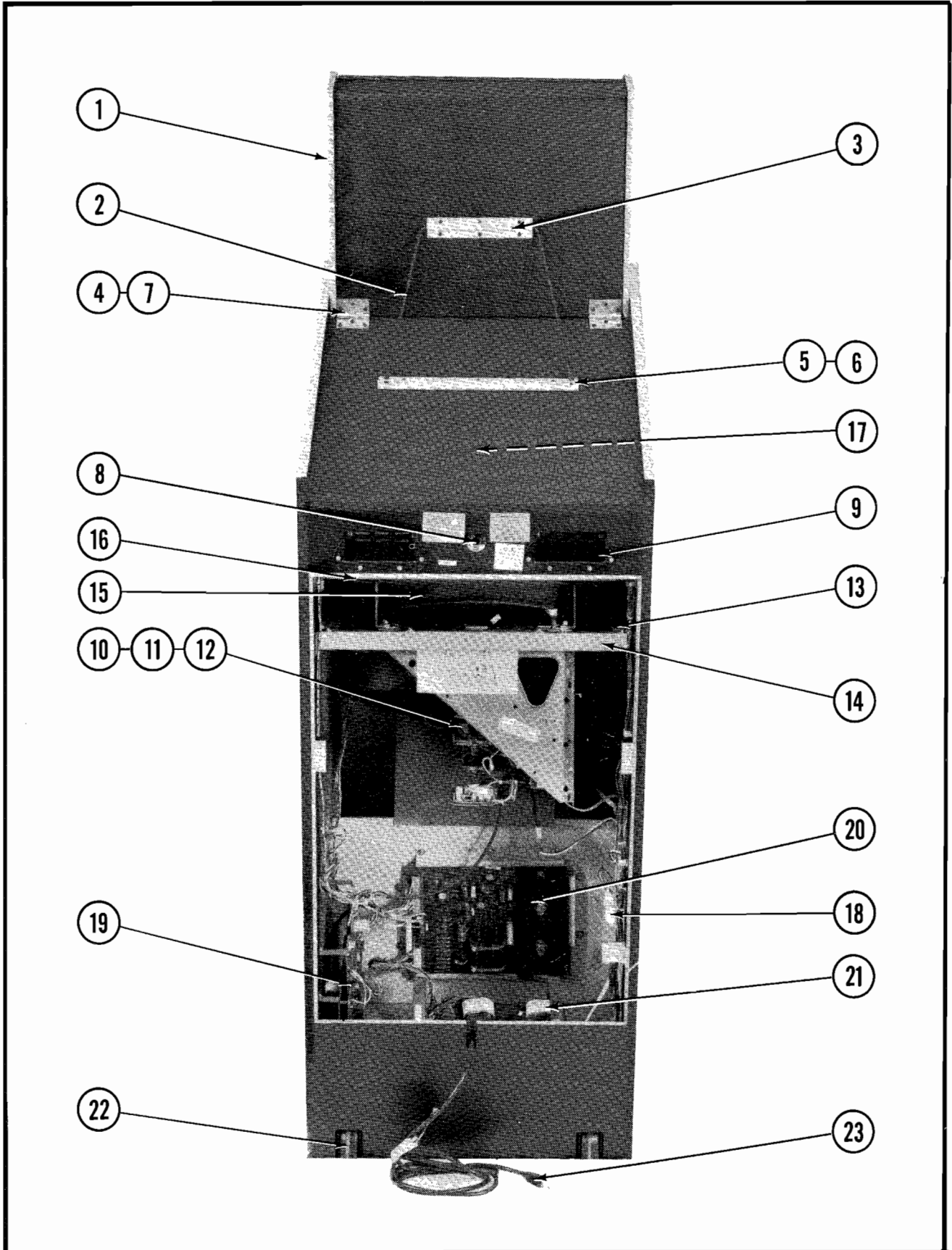


NO. 353 - MAPPY - UPRIGHT - FRONT - PARTS LIST

ORDER BY PART NUMBER ONLY

ITEM	PART NO.	DESCRIPTION
1	A353-00011-0000	HEADER ASSY.
2	0353-00901-00XF	HEADER - 17-7/16"x217/8"
3	0353-00103-00XF	HEADER RETAINER - UPPER
4	A353-00014-00XF	HEADER RETAINER ASSY. - LOWER
	0017-00101-0138	#8-5/8 TORX TAMPER RESISTANT SCR. (6 REQ'D.)
5	A353-00021-0000	FLUOR. HEADER LIGHT ASSY. (2 REQ'D.)
6	0017-00009-0393	BLACK SPEAKER GRILL W/SLOTS
	0017-00003-0259	6"x9" SPEAKER - 8 OHM, 8W.
	0017-00101-0127	#8-32x1 1/2 CARRIAGE BOLT (4 REQ'D.)
	0017-00103-0061	#8-32 HEX NUT W/SEMS (4 REQ'D.)
7	0508-00900-0000	T.V. BEZEL
8	0508-00905-0000	PLEXI-DIFFUSER
	0508-00901-0000	PLEXI-GLASS CLIPS (4 REQ'D.)
	0017-00101-0017	#6x1/2 BLK. SLT. HEX HD. SCREW (4 REQ'D.)
9	0353-00902-00XF	MAIN VIEWING GLASS
	0508-00108-0000	GLASS STOP BRKT.
	0017-00101-0017	#8x3/4 SLT. HEX HD. M.S. (3 REQ'D.)
10	A353-00019-0000	OVERLAY - CONTROL SHELF PLATE ASSY.
	A353-00018-0000	CONTROL SHELF PLATE WELD ASSY.
	0353-00903-0000	DECORATIVE OVERLAY
	0353-00107-0100	CONTROL SHELF MTG. BRKT. - RIGHT
	0353-00107-0200	CONTROL SHELF MTG. BRKT. - LEFT
	0555-00901-0000	PLASTIC LOCATING PIN (4 REQ'D.)
	0017-00009-0534	BASSICK CLAMP (3 REQ'D.)
	0017-00101-0141	#8x11/16 UNSLOT. HEX HD. SCR. (10 REQ'D.)
	0353-00906-0000	CONTROL SHELF STRAP
11	A353-00015-0000	CONTROL ASSEMBLY
	A353-00006-0000	CONTROL SHELF CABLE ASSY.
12	0017-00042-0260	PUSH BUTTON ASSY. - WHITE (2 REQ'D.)
13	0017-00042-0257	PUSH BUTTON ASSY. - YELLOW (2 REQ'D.)
	0017-00032-0093	PUSH BUTTON SWITCH W/HOLDER (4 REQ'D.)
	0017-00103-0054	5/8-11 PAL NUT (4 REQ'D.)
14	0353-00905-0200	DECAL-LEFT SIDE
	0353-00905-0100	DECAL - RIGHT SIDE (NOT SEEN)
15	0353-00904-0100	DECAL - FRONT
16	0353-00904-0200	DECAL - FRONT
17	A090-00300-11BK	U.S.A. 25¢ DOUBLE COIN DOOR ASSY.
	A982-00015-0000	COIN DOOR CABLE ASSY.
18	0090-00002-04BK	LARGE COIN DOOR FRAME
	0017-00101-0121	#6-32x5/16 PHIL. TRS. HD. SCR. (3 REQ'D.)
19	0935-00906-0100	KICK PLATE - 23" LG.
20	0017-00102-0048	3/8-16x2" LEG LEVELERS (4 REQ'D.)
	0017-00103-0026	3/8-16 LEG LEVELER HEX NUTS (4 REQ'D.)

NO. 353 - MAPPY - UPRIGHT - REAR



NO. 353 - MAPPY - UPRIGHT - REAR - PARTS LIST

ORDER BY PART NUMBER ONLY

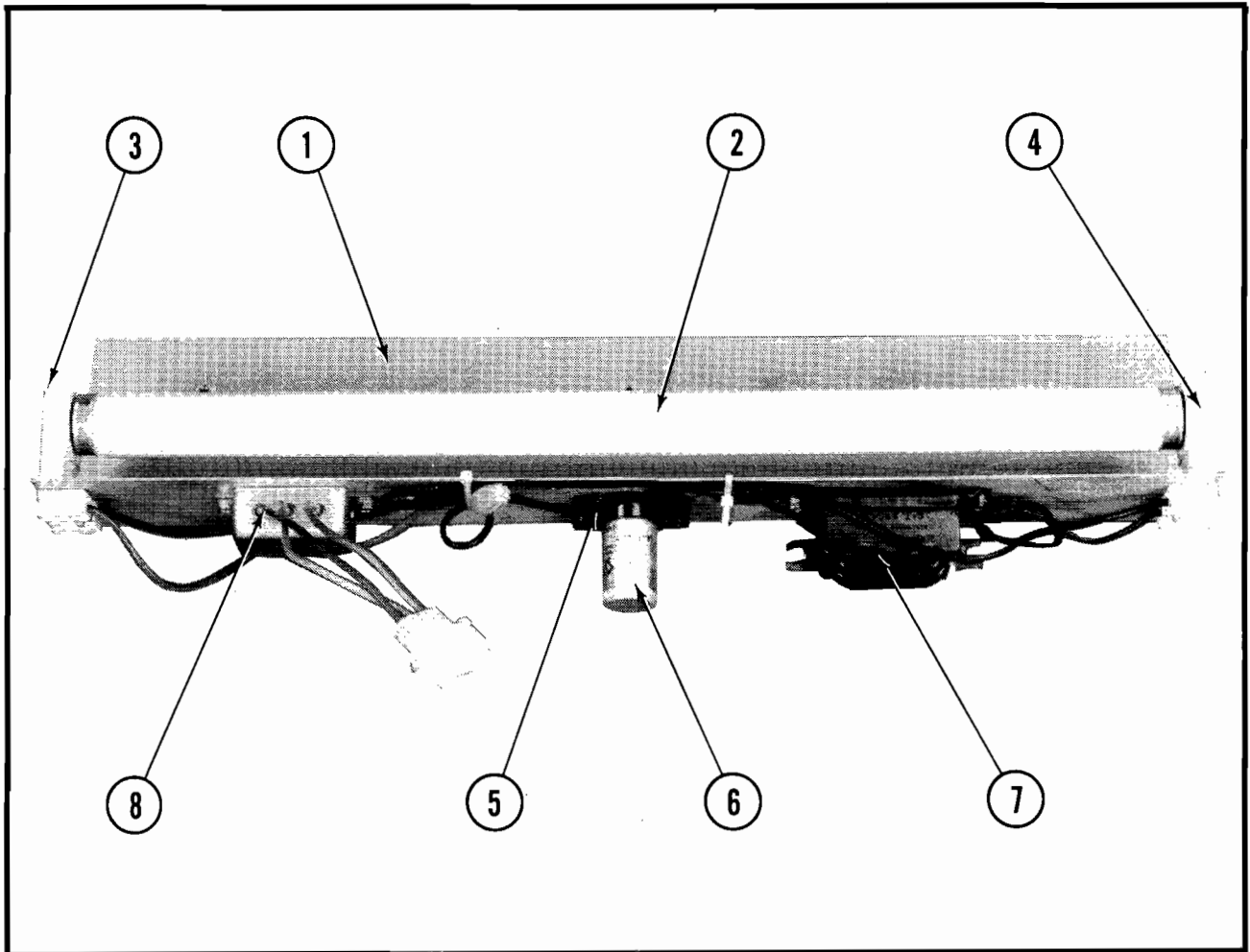
ITEM	PART NO.	DESCRIPTION
1	A353-00011-0000	HEADER ASSY.
2	0353-00110-0000	HEADER SUPPORT BRACE
3	0353-00102-0000	SUPPORT ARM BRACKET
4	0017-00009-0545	SUPPORT HINGE (2 REQ'D.)
5	0353-00109-0000	POSITIONING BRKT.
6	0017-00101-0138	#8x ⁵ / ₈ TORX TAMPER RESISTANT SCR. (22 REQ'D.)
7	0017-00101-0149	#10x1 ³ / ₈ TORX TAMPER RESISTANT SCR. (2 REQ'D.)
	0017-00104-0011	#10 EXT. STAR WASHER (2 REQ'D.)
	0017-00104-0039	#10 FLAT WASHER (2 REQ'D.)
8	A945-00038-0000	ON-OFF SWITCH & PLATE ASSY.
9	0894-00916-0000	PLASTIC PULL & VENT (2 REQ'D.)
	0017-00101-0141	#8x11/16 UNSLOT. HEX HD. M.S. (8 REQ'D.)
10	0017-00003-0339	ELECTROHOME - 19" COLOR DUAL SYNC. HORIZ. MTG. MONITOR (OR)
11	0017-00003-0439	WELLS-GARDNER - 19" COLOR DUAL SYNC. HORIZ. MTG. MONITOR (OR)
12	0017-00003-0454	ZENITH - 19" COLOR DUAL SYNC. HORIZ. MTG. MONITOR
13	0349-00101-0000	MONITOR RAIL (2 REQ'D.)
	0555-00901-0000	PLASTIC LOCATING PIN (4 REQ'D.)
	0017-00101-0141	#8x11/16 UNSLOT HEX HD. M.S. (8 REQ'D.)
14	0349-00100-0000	MONITOR MTG. ANGLE BRKT. (2 REQ'D.)
	0017-00101-0144	#10-24x ⁵ / ₈ SLT. HEX W/WASHER SCR. (4 REQ'D.)
	0017-00101-0082	#10x ³ / ₄ UNSLOT HEX HD. BOLT (4 REQ'D.)
	0017-00104-0011	#10 EXT. WASHER (4 REQ'D.)
15	0508-00900-0000	19" T.V. BEZEL
	0508-00106-0000	BEZEL MTG. BRKT.
16	0508-00108-0000	GLASS STOP BRKT.
	0017-00101-0027	#8x ³ / ₄ SLT. HEX HD. M.S. (3 REQ'D.)
17	0017-00003-0259	6"x9" SPEAKER - 8 OHM, 8W.
18	A088-00016-0000	INTELOCK SWITCH & SPRING BRKT. ASSY.
19	A353-00004-0000	CARD RACK ASSY. W/BOARDS
	A084-91476-A316	F.C.C FILTER P.C. BRD. ASSY.
	A084-91479-C353	CPU P.C. BOARD ASSY.
	A084-91480-C353	VIDEO P.C. BOARD ASSY.
	0361-00101-0000	TIE DOWN BRKT (2 REQ'D.)
	0361-00102-0000	SUPPORT BRKT. (2 REQ'D.)
	0017-00101-0124	#6x ¹ / ₄ UNSLOT. HEX HD. SCREW (2 REQ'D.)
20	A082-90427-A000	POWER SUPPLY P.C.B. ASSY. - 70VA.
	0624-00902-0100	P.C. SUPPORT BRKT. - 12" LG. (2 REQ'D.)
	0624-00902-0500	P.C. SUPPORT BRKT. - 6 ¹ / ₂ " LG. (2 REQ'D.)
	0317-00102-0000	P.C. MTG. BRACE BRKT. (4 REQ'D.)
	0017-00101-0141	#8x11/16 UNSLOT HEX HD. M.S. (10 REQ'D.)
	0017-00104-0037	#8 FLAT WASHER (10 REQ'D.)
21	A945-00036-0002	POWER CHASSIS ASSY. - 70VA., 115V.
22	A961-00007-0000	CASTER ASSEMBLY (2 REQ'D.)
	0961-00109-0000	WHEEL BRKT. (2 REQ'D.)
	0017-00042-0255	PLASTIC WHEEL (2 REQ'D.)
	0894-00702-00XF	SHAFT (2 REQ'D.)
	0017-00100-0037	³ / ₈ " E-RING (2 REQ'D.)
23	A945-00019-0000	LINE CORD ASSY.

NO. 353 - MAPPY - UPRIGHT - REAR - PARTS LIST (Cont'd)

ORDER BY PART NUMBER ONLY

ITEM	PART NO.	DESCRIPTION
		ADDITIONAL PARTS LIST
	A950-00004-0000	COIN BOX ASSEMBLY
	A950-00006-0100	WIRE COIN BOX CRADLE ASSY.
	0950-00105-0000	COIN BOX COVER
	0950-00104-0000	COIN BOX HANDLE
	0950-00101-0000	COIN DEFLECTOR (2 REQ'D.)
	0950-00900-0000	LARGE PLASTIC COIN BOX
	A097-00009-0000	BACK DOOR LOCK ASSY.
	0017-00009-0490	5% SQR. VENT GRILL (4 REQ'D.)
	A353-00008-0000	MASTER CABLE W/BRKT. ASSY.
	A353-00010-0000	HIGH VOLTAGE CABLE ASSY.
	A316-00010-0000	LOW VOLTAGE CABLE ASSY.
	A508-00034-0000	AUDIO ADAPTOR CABLE ASSY.
	A508-00035-0000	VIDEO ADAPTOR CABLE ASSY.
	A508-00024-0000	SIGNAL CABLE ASSY.

NO. 353 - MAPPY - UPRIGHT - HEADER FLUORESCENT LIGHT ASSY.

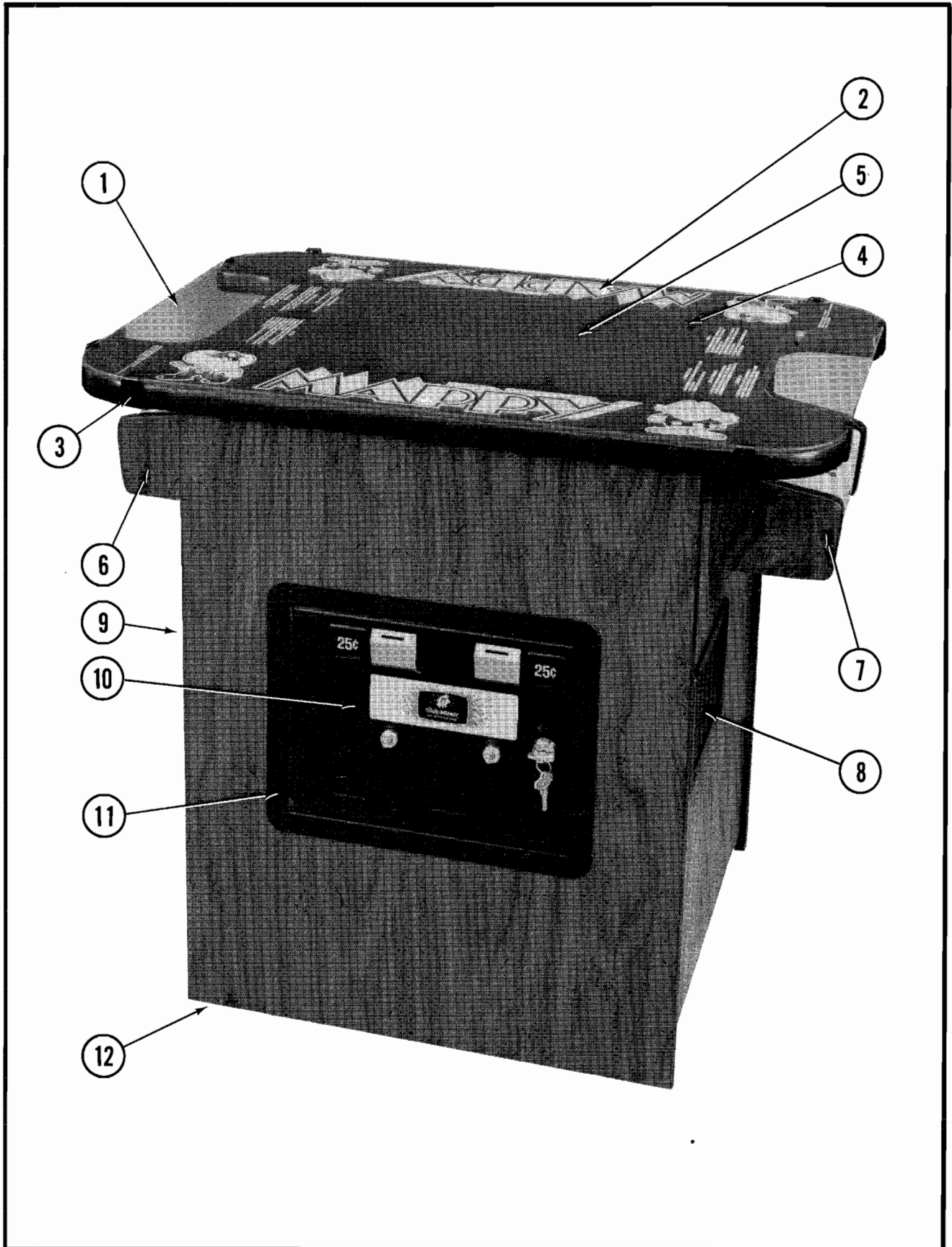


NO. 353 - MAPPY - UPRIGHT - HEADER FLUORESCENT LIGHT ASSY. - PARTS LIST

ORDER BY PART NUMBER ONLY

ITEM	PART NO.	DESCRIPTION
1	0353-00113-0000	FLUORESCENT BRKT.
2	0017-00003-0043	18" COOL WHITE FLUORESCENT LAMP
3	0017-00003-0445	LAMP LOCKS (2 REQ'D.)
4	0017-00031-0036	FLUORESCENT SOCKET (2 REQ'D.)
5	0017-00003-0412	FLUORESCENT STARTER HOLDER W/LEADS
	0017-00101-0573	#6-32 x 1/2 PHIL. RND. HD. M.S. (4 REQ'D.)
	0017-00104-0009	#6 EXT. WASHER (4 REQ'D.)
6	0017-00003-0019	FLUORESCENT STARTER
7	0017-00003-0026	BALLAST
	0017-00101-0598	#8-32 x 5/16 SLT. HEX HD. SCR. (4 REQ'D.)
8	A961-00042-0000	LINE FILTER ASSY.

NO. 361 - MAPPY - COCKTAIL - FRONT

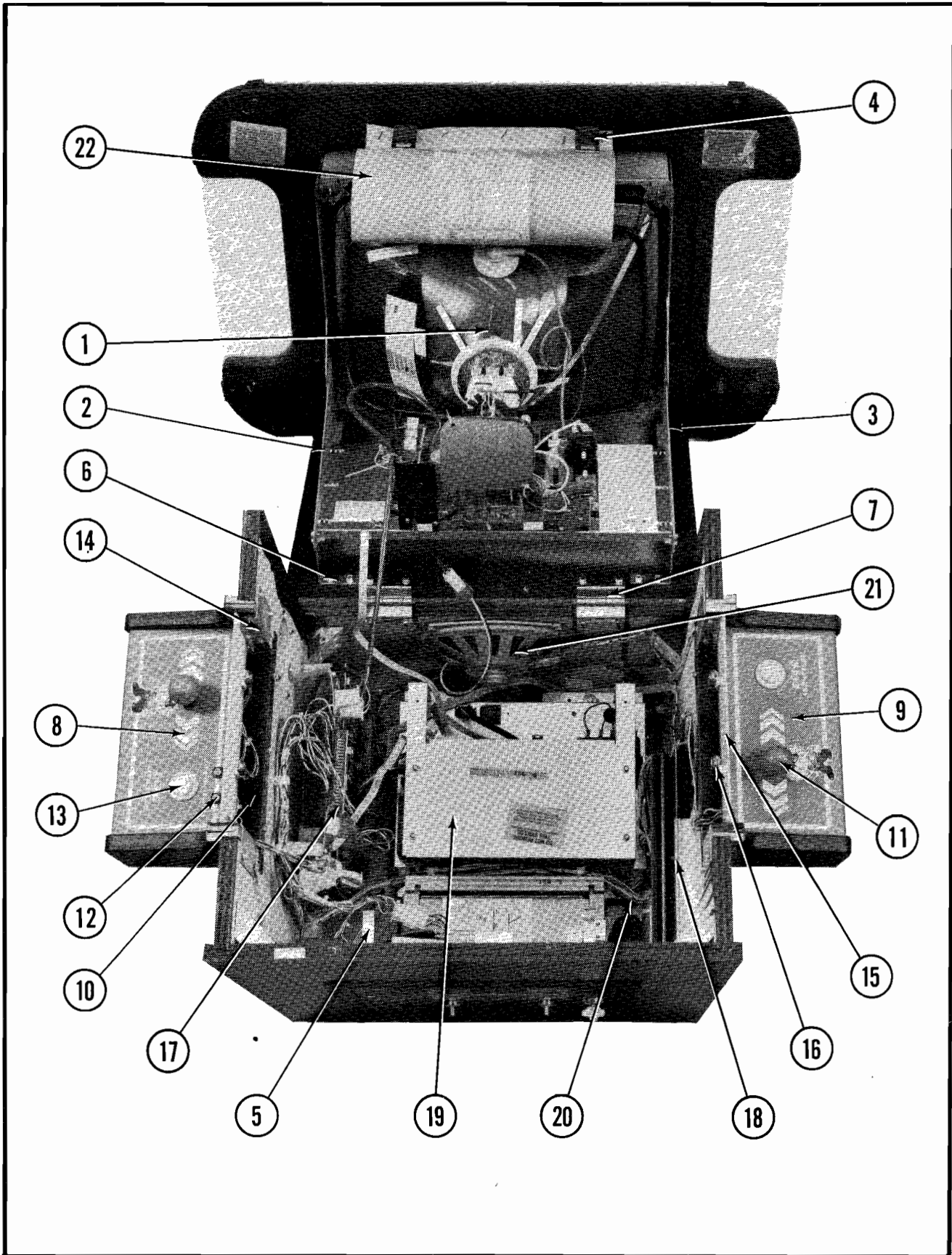


NO. 361 - MAPPY - COCKTAIL - FRONT - PARTS LIST

ORDER BY PART NUMBER **ONLY**

ITEM	PART NO.	DESCRIPTION
1	0017-00009-0499	COVER GLASS — 32" x 22" x 1/4"
2	0361-00900-0000	DECORATIVE ARTWORK UNDERLAY
3	0775-00104-00XF	GLASS CLIPS (8 REQ'D.)
	0017-00101-0117	#8 x 5/8 BLK. PHIL. TRS. HD. SCR. (8 REQ'D.)
4	0557-00900-0000	T.V. BEZEL
5	0508-00905-0000	DIFFUSER
	0508-00901-0000	PLEXI-GLASS CLIPS (4 REQ'D.)
	0017-00101-0017	#6 x 1/2 SLT. HEX HD. SCR. (4 REQ'D.)
6	A361-00004-0100	CONTROL SHELF ASSY. — PLAYER #1
7	A361-00004-0200	CONTROL SHELF ASSY. — PLAYER #2
8	0017-00009-0393	BLACK SPEAKER GRILL W/SLOTS (2 REQ'D.)
9	0017-00009-0482	SPEAKER GRILL (NOT SEEN)
	0017-00003-0187	6" x 9" SPEAKER — 8 OHM, 9W.
	0017-00101-0136	#8-32 x 1-1/4 CARRIAGE BOLT (8 REQ'D.)
	0017-00101-0127	#8-32 x 1-1/2 CARRIAGE BOLT (4 REQ'D.)
	0017-00103-0061	#8-32 HEX NUT W/SEMS (12 REQ'D.)
10	A090-00300-11BK	U.S.A. 25¢ DOUBLE COIN DOOR ASSY.
	A982-00015-0000	COIN DOOR CABLE ASSY.
11	0090-00002-04BK	LARGE COIN DOOR FRAME
	0017-00101-0121	#6-32 x 5/16 PHIL. TRS. HD. SCR. (3 REQ'D.) (MOUNTS COIN DOOR TO FRAME)
	A927-00019-0000	COIN BOX ASSEMBLY
	A962-00004-0000	COIN BOX COVER ASSY.
	A962-00005-0000	COIN BOX SIDE CHANNEL ASSY. — SHORT
	0962-00101-0000	COIN BOX SIDE CHANNEL — SHORT
	0017-00101-0628	#8-32 x 3/4 CARRIAGE BOLT (4 REQ'D.)
	0017-00104-0022	#8 FLAT WASHER (4 REQ'D.)
	0017-00103-0061	#8-32 HEX NUT W/SEMS (4 REQ'D.)
12	0017-00102-0048	3/8-16 x 2" LEG LEVELERS (4 REQ'D.)
	0017-00103-0026	3/8-16 LEG LEVELER HEX NUTS (4 REQ'D.)

NO. 361 - MAPPY - COCKTAIL - INTERIOR ACCESS



NO. 361 - MAPPY - COCKTAIL - INTERIOR ACCESS - PARTS LIST

ORDER BY PART NUMBER ONLY

ITEM	PART NO.	DESCRIPTION
1	0017-00003-0339	ELECTROHOME — 19" COLOR DUAL SYNC HORIZ. MTG. MONITOR (OR)
1	0017-00003-0439	WELLS-GARDNER - 19" COLOR DUAL SYNC HORIZ. MTG. MONITOR (OR)
1	0017-00003-0454	ZENITH - 19" COLOR DUAL SYNC HORIZ. MTG. MONITOR
2	A515-00019-0000	MONITOR SUPPORT ASSY. - LEFT
3	A515-00019-0100	MONITOR SUPPORT ASSY. - RIGHT
	0017-00101-0109	#8x5/16 UNSLOT. HEX HD. BOLT (6 REQ'D.)
4	0610-00132-00ZN	STRIKE (2 REQ'D.)
5	0017-00009-0534	BASSICK CLAMP (2 REQ'D.)
	0017-00101-0141	#8x11/16 UNSLOT HEX HD. M.S. (8 REQ'D.)
6	0927-00101-00XF	SUPPORT ANGLE (2 REQ'D.)
	0017-00101-0598	#8-32x5/16 SLT. HEX HD. SCREW (4 REQ'D.)
7	0017-00009-0514	2½" HINGE (2 REQ'D.)
	0017-00101-0136	#8-32x1¼ CARRIAGE BOLT (8 REQ'D.)
	0017-00103-0061	#8-32 HEX NUT W/SEMS (8 REQ'D.)
8	0361-00901-0100	DECORATIVE OVERLAY - PLAYER #1
9	0361-00901-0200	DECORATIVE OVERLAY - PLAYER #2
	A361-00011-0000	CONTROL PANEL WELDMENT ASSY. (2 REQ'D.)
10	0510-00101-00XF	BOTTOM PAN (2 REQ'D.)
	0017-00101-0341	#6x¼ PHIL. TRS. HD. SCR. (6 REQ'D.)
11	A353-00015-0000	CONTROL ASSEMBLY (2 REQ'D.)
	A361-00005-0100	CONTROL SHELF CABLE ASSY. - PLAYER #1
	A361-00005-0200	CONTROL SHELF CABLE ASSY. - PLAYER #2
12	0017-00032-0106	PUSH BUTTON (2 REQ'D.)
13	0017-00042-0257	PUSH BUTTON ASSY. - YELLOW
	0017-00032-0093	PUSH BUTTON SWITCH W/HOLDER
	0017-00103-0054	⅝-11 PAL NUT
14	0930-00104-0000	CONTROL PANEL LOCATING BRKT. (4 REQ'D.)
	0017-00101-0025	#8x½ SLT. HEX HD. M.S. (16 REQ'D.)
15	0930-00904-0000	LIGHT SHIELD (2 REQ'D.)
16	0017-00031-0044	WEDGE BASE LAMP SOCKET (4 REQ'D.)
	0017-00003-0219	#194 WEDGE LAMP - 14V., 27A. (4 REQ'D.)
	0017-00101-0555	#6-32x5/16 SLT. HEX HD. M.S. (4 REQ'D.)
17	A353-00004-0000	CARD RACK ASSY. W/BOARDS
	A084-91476-A316	F.C.C. FILTER P.C. BRD. ASSY.
	A084-91479-C353	CPU P.C. BOARD ASSY.
	A084-91480-C353	VIDEO P.C. BOARD ASSY.
	0361-00502-0000	CARD RACK SUPPORT BASE
	0017-00101-0033	#8x1¼ SLT. HEX HD. SCR. (2 REQ'D.)
18	A082-90427-A000	POWER SUPPLY P.C. BOARD ASSY.
	0624-00902-0100	P.C. SUPPORT BRKT. - 12" LG.
	0624-00902-0500	P.C. SUPPORT BRKT. - 6½" LG. (2 REQ'D.)
	0317-00102-0000	P.C. MTG. BRACE BRKT. (4 REQ'D.)
	0017-00101-0141	#8x11/16 UNSLOT HEX HD. M.S. (10 REQ'D.)
	0017-00104-0037	#8 FLAT WASHER (10 REQ'D.)
19	A945-00036-0000	POWER CHASSIS ASSY. - 70VA., 115V.

NO. 361 - MAPPY - COCKTAIL - INTERIOR ACCESS - PARTS LIST (Cont'd)

ORDER BY PART NUMBER ONLY

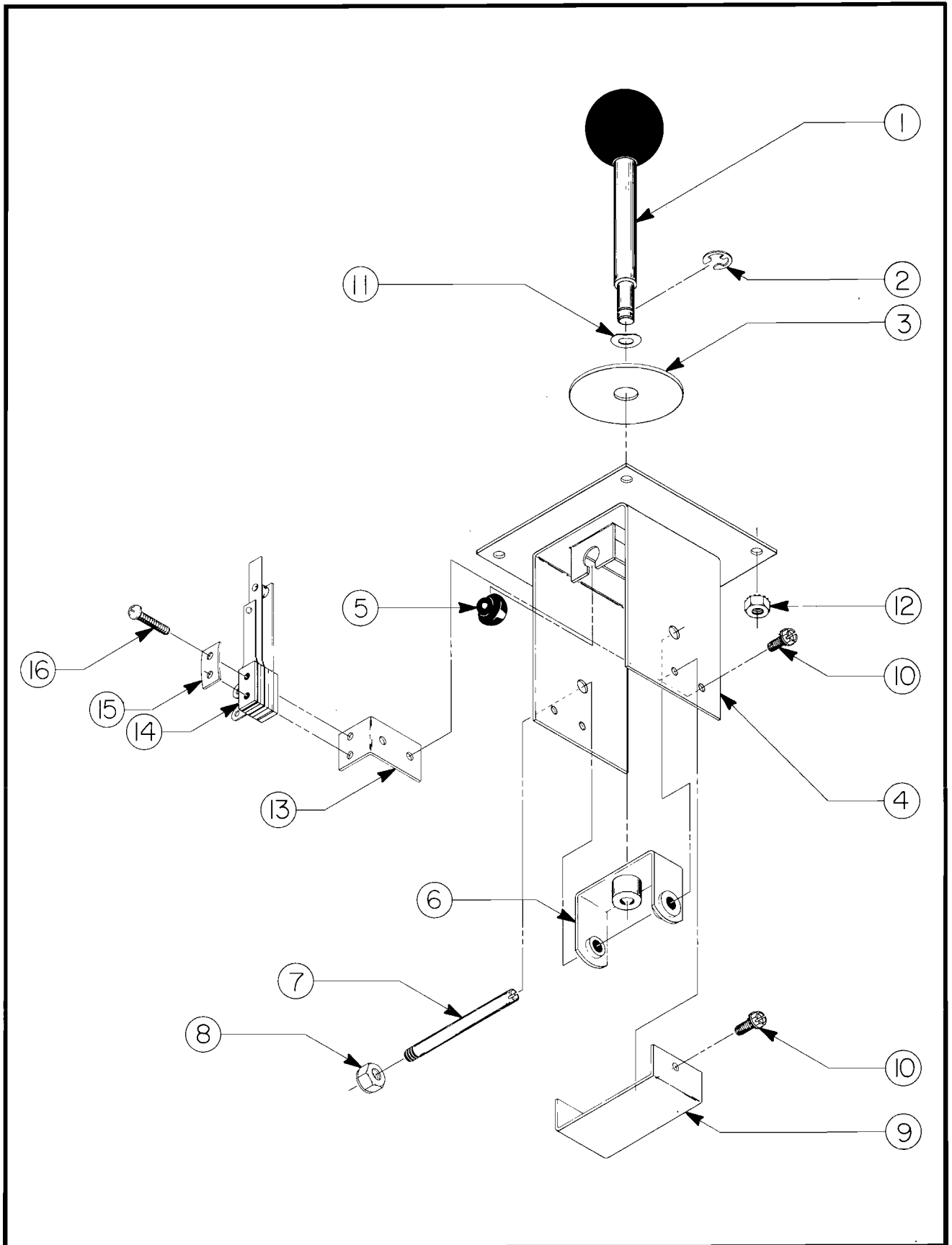
ITEM	PART NO.	DESCRIPTION
20	A775-00013-0000 0017-00003-0222 0775-00110-00XF 0749-00106-00XF 0017-00101-0347 0017-00104-0009 0017-00103-0005 0017-00101-0026	FAN ASSY. 4" MUFFIN FAN FAN PLATE VENT SCREEN #6-32x½" R.H.M.S. (4 REQ'D.) #6 EXT. WASHER (4 REQ'D.) #6-32 HEX NUT (4 REQ'D.) #8x⅝ SLT. HEX HD. SCREW (4 REQ'D.)
21	0017-00003-0187	6"x9" SPEAKER - 8 OHM, 9W.
22	0942-00902-0000	MONITOR SHIELD
ADDITIONAL PARTS LIST		
	A088-00018-0000 A945-00038-0000 A361-00007-0000 A316-00010-0000 A317-00006-0000 A510-00014-0000 A508-00034-0000 A508-00035-0000 A927-00005-0000	INTERLOCK SWITCH & BRKT. ASSY. ON-OFF SWITCH & PLATE ASSY. MASTER CABLE W/BRKT. ASSY. & VIDEO LOW VOLTAGE CABLE ASSY. HIGH VOLTAGE CABLE ASSY. MONITOR SIGNAL CABLE ASSY. AUDIO ADAPTOR CABLE ASSY. VIDEO ADAPTOR CABLE ASSY. HIGH BASE LEG KIT ASSY. - OPTIONAL

MAPPY - CONTROL ASSY. UPRIGHT & COCKTAIL - PARTS LIST

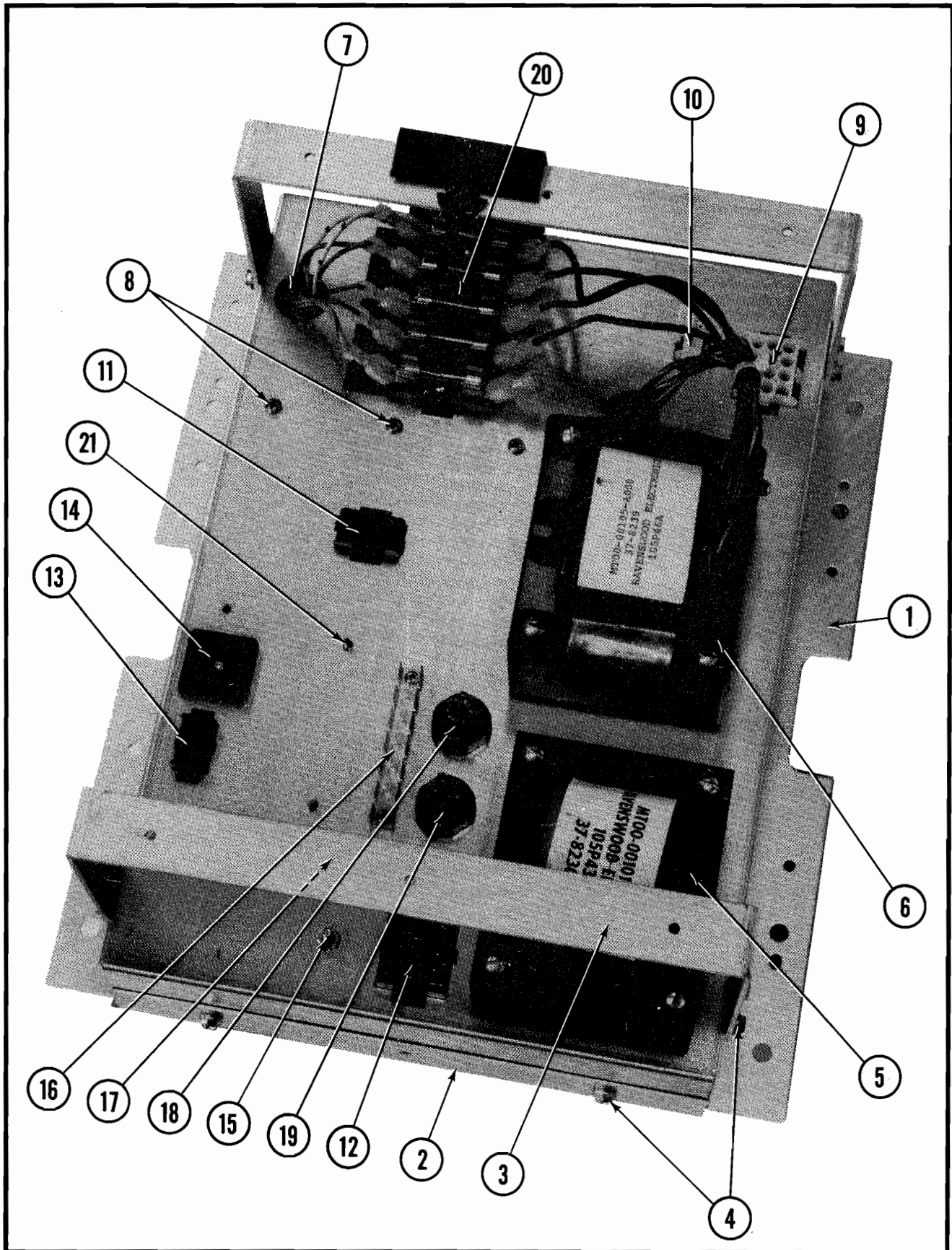
ORDER BY PART NUMBER ONLY

ITEM	PART NO.	DESCRIPTION
1	A866-00207-0000	MOLDED 1¾" DIA. BALL & SHAFT ASSY.
2	0017-00100-0025	¼" E-RING
3	0852-00106-0000	FOLLOWER PLATE
4	A353-00016-0000	TOP PLATE TO MAIN CONTROL BRKT. ASSY.
5	0017-00041-0616	RUBBER BUPPER - 90 DUROMETER (2 REQ'D.)
6	A866-00027-0000	PIVOT BRKT. HUB & BEARING ASSY.
7	0852-00701-00XF	PIVOT PIN
8	0017-00103-0011	#10-32 LOCK NUT
9	0508-00112-00XF	BRACE-MAIN BRKT.
10	0017-00101-0555	#6-32x5/16 SLT. HEX HD. M.S. (4 REQ'D.)
11	0017-00104-0116	SPRING WASHER
12	0017-00103-0061	#8-32 LOCK NUT W/SEMS (4 REQ'D.)
13	0353-00108-0000	SWITCH BRKT. (2 REQ'D.)
14	A353-00020-0000	LEAF SWITCH ASSY. (2 REQ'D.)
15	0020-00202-0000	SWITCH PLATE (2 REQ'D.)
16	0017-00101-0527	#5-40x⅝ PHIL. RND. HD. M.S. (4 REQ'D.)

MAPPY - CONTROL ASSY. UPRIGHT & COCKTAIL



MAPPY - POWER CHASSIS ASSY. - 70VA, 115V. - ALL VERSIONS

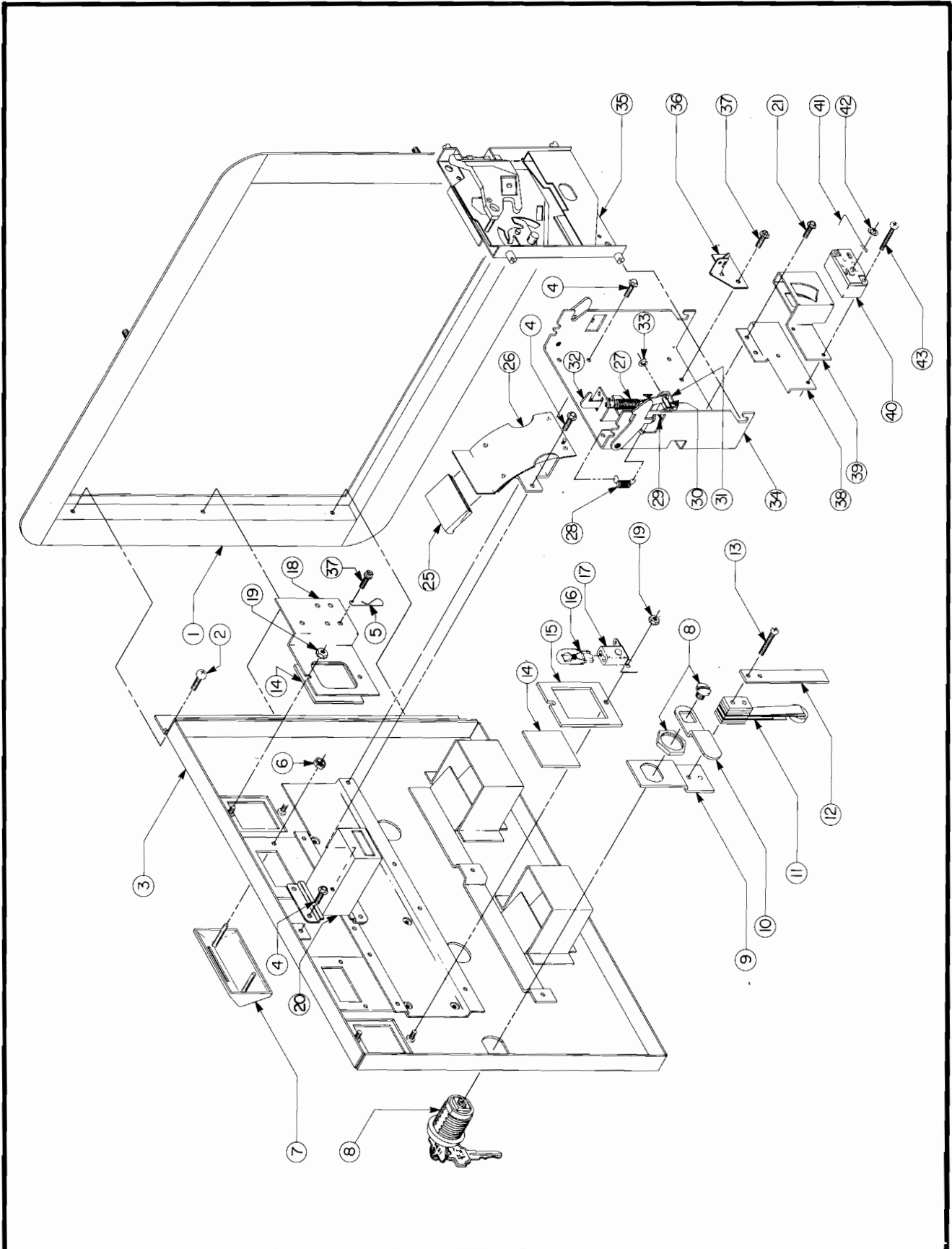


MAPPY - POWER CHASSIS ASSY. - 70VA, 115V. - ALL VERSIONS - PARTS LIST

ORDER BY PART NUMBER ONLY

ITEM	PART NO.	DESCRIPTION
1	0945-00108-00XF	CHASSIS
2	A945-00029-0100	MTG. PLATE & BARRIER ASSY.
3	0945-00107-01XF	STRAP (2 REQ'D.)
4	0017-00101-0123	#8 x 1/4 UNSLOT. HEX HD. SCR. (12 REQ'D.)
5	MT00-00101-B000	ISOLATION TRANSFORMER W/O SHIELD ASSY. — 115V., 50/60 HZ.
	0017-00103-0061	#8-32 HEX NUT W/SEMS (4 REQ'D.)
6	MT00-00105-A000	POWER TRANSFORMER W/O SHIELD — 70VA, 115V. (UPRIGHT ONLY)
6	MT00-00105-B000	POWER TRANSFORMER W/SHIELD — 70VA, 115V. (COCKTAIL ONLY)
	0017-00103-0061	#8-32 HEX NUT W/SEMS (4 REQ'D.)
7	0945-00902-0000	SNAP BUSHING (3 REQ'D.)
8	0017-00101-0067	#6 x 3/8 PHIL. PAN HD. SCR. (11 REQ'D.)
	0945-00103-00XF	PARTITION — LOCATED UNDER CHASSIS (NOT SEEN)
9	A945-00030-0400	CONNECTOR & CABLE ASSY.
10	0017-00021-0297	2 POSITION CONNECTOR
11	A945-00030-0300	CONNECTOR & CABLE ASSY.
12	A945-00030-0500	CONNECTOR & CABLE ASSY.
13	A945-00030-0200	CONNECTOR & CABLE ASSY.
14	A945-00021-0000	CONVENIENCE OUTLET ASSY.
15	0017-00101-0573	#6-32 x 1/2 PHIL. RND. HD. SCR. (2 REQ'D.)
	0017-00103-0084	#6-32 HEX NUT W/SEMS (2 REQ'D.)
	A945-00025-0000	FILTER ASSY. — 125V. — UNDER CHASSIS (NOT SEEN)
16	0017-00021-0510	TERMINAL STRIP
	0017-00101-0140	#4-40 x 5/16 PHIL. PAN HD. SCR. (2 REQ'D.)
17	0017-00101-0660	#10-32 x 3/4 SLT. PAN HD. SCREW (NOT SEEN)
	0017-00104-0107	#10 FLAT WASHER
	0017-00103-0081	#10-32 HEX NUT W/SEMS
18	0017-00003-0263	SLO-BLO FUSE — 4A., 250V.
19	0017-00003-0005	FUSE — 2A., 250V.
	0017-00003-0444	FUSE HOLDER — QUICK CONN. (2 REQ'D.) — FOR ABOVE FUSES
20	0945-00904-0000	5 POSITION FUSE HOLDER
	0945-00908-0000	FUSE BLOCK INSULATOR
	0017-00003-0217	SLO-BLO FUSE — 2.5A., 250V. (2 REQ'D.)
	0017-00003-0007	SLO-BLO FUSE — 3A., 250V. (2 REQ'D.)
	0017-00003-0263	SLO-BLO FUSE — 4A., 250V.
	0945-00903-0000	FUSE HOLDER BARRIER
	0017-00101-0067	#6 x 3/8 PHIL. PAN HD. SCREW (2 REQ'D.)
21	0017-00101-0780	#6 x 1/2 PHIL. PAN HD. SCREW (2 REQ'D.)
	0017-00021-0629	5 POSITION TERMINAL STRIP (UNDER CHASSIS)
	A945-00019-0000	LINE CORD ASSY. — 115V. (NOT SHOWN)
	A945-00033-0000	MAGNETIC SHIELD & LABEL ASSY. (NOT SHOWN)

FRONT DOOR ASSEMBLY — U.S.A. 25¢

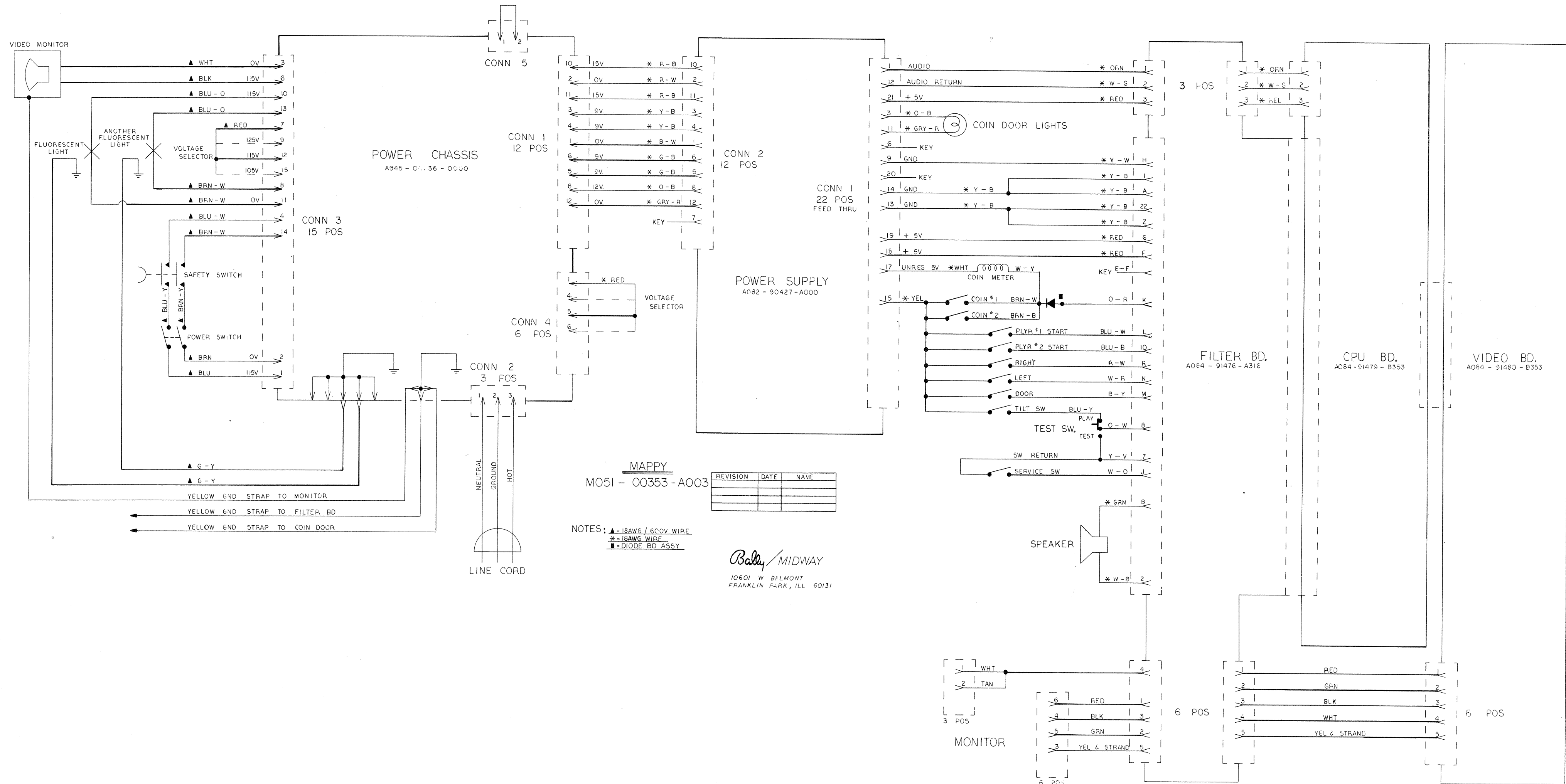


FRONT DOOR ASSEMBLY — U.S.A. 25¢ — PARTS LIST

ORDER BY PART NUMBER ONLY

ITEM	PART NO.	DESCRIPTION
1	0090-00002-04BK	DOUBLE ENTRY COIN DOOR FRAME
2	0017-00101-0121	#6-32 x 5/16 PHIL. TRS. HD. SCR. (3 REQ'D.)
3	A090-00073-02BK	DOUBLE ENTRY COIN DOOR W/DRESS PLATE
4	0017-00101-0123	#8 x 1/4 UNSLOT. HEX HD. SCREW (12 REQ'D.)
5	0017-00007-0019	KEY HOOK
6	0017-00103-0059	PUSH NUT (4 REQ'D.)
7	0090-00912-0000	COIN ENTRY PLATE — 25¢ (2 REQ'D.)
8	A097-00005-0000	DOOR LOCK & KEY W/SCREW & NUT (OR)
8	A097-00006-0000	DOOR LOCK & KEY W/SCREW & NUT
9	0090-00128-00XF	DOOR TILT SWITCH BRKT.
10	0017-00005-0225	DOOR CAM
11	A090-00095-0000	DOOR TILT SWITCH
12	0090-00126-03XF	SWITCH BACK-UP PLATE
13	0017-00101-0525	#5-40 x 9/16" PHIL. HD. M.S. (2 REQ'D.)
	A090-00096-0000	DOOR TILT SWITCH & BRKT. ASSY. (ITEMS 9 & 11 THRU 13)
14	0090-00903-9500	25¢ WINDOW (2 REQ'D.)
15	0090-00143-00XF	COIN PLEX RETAINER
16	0017-00003-0219	12 VOLT LAMP — G.E. #194 (2 REQ'D.)
17	0017-00031-0048	WEDGE SOCKET W/BRKT. (2 REQ'D.)
18	A090-00100-0000	BRKT. ASSY.
19	0017-00103-0084	#6-32 HEX NUT W/SEMS (4 REQ'D.)
20	A090-00089-0000	COIN METER W/DIODE
21	0017-00101-0124	#6 x 1/4 UNSLOT. HEX HD. SCR. (4 REQ'D.)
25	0090-00911-0000	INSULATOR (2 REQ'D.)
26	A090-00112-0000	COIN CHUTE & TOP ASSY. (2 REQ'D.)
27	0010-00134-0000	SPRING
28	0010-00181-0000	SPRING
29	0017-00007-0083	1/8 x 1-5/8 ROLL PIN
30	0090-00129-00XF	PIVOT POST
31	0090-00167-00XF	PIVOT LEVER
32	0090-00182-00XF	REJECT LEVER
33	0017-00100-0018	E-RING
	A090-00088-0000	REJECT LEVER ASSY. (2 REQ'D.) (ITEMS 30 THRU 33)
34	A090-00105-0000	COIN ACCEPTOR FRAME ASSY. (2 REQ'D.)
35	0017-00005-0003	COIN ACCEPTOR W/STRING CUTTER (2 REQ'D.) (OR)
35	0017-00005-0211	COIN ACCEPTOR W/ANTI STRING DEVICE (2 REQ'D.) (OR)
35	0017-00005-0214	COIN ACCEPTOR W/STRING CUTTER (2 REQ'D.)
36	A090-00064-0000	ANTI-PENNY DEVICE
37	0017-00101-0099	#6 x 1/4 SLT. HEX HD. M.S. (2 REQ'D.)
38	0090-00162-00XF	COIN SWITCH MTG. BRKT.
39	0017-00005-0203	COIN SWITCH CHUTE
40	0017-00005-0195	COIN SWITCH
41	0010-00599-0000	COIN SWITCH WIRE
42	0017-00007-0015	PUSH-ON RING
	A090-00059-0400	COIN SWITCH & WIRE ASSY. (ITEMS 40 THRU 42)
43	0017-00101-0147	#4-40 x 3/4 PHIL. PAN. HD. M.S. (2 REQ'D.)
	A090-00077-0000	COIN GUIDE & SWITCH ASSY. (ITEMS 38 THRU 43)

Schematics and Wiring Diagrams



POWER CHASSIS
A945 - 00036 - 0000

POWER SUPPLY
A082 - 90427 - A000

FILTER BD.
A064 - 91476 - A316

CPU BD.
A064 - 91479 - B353

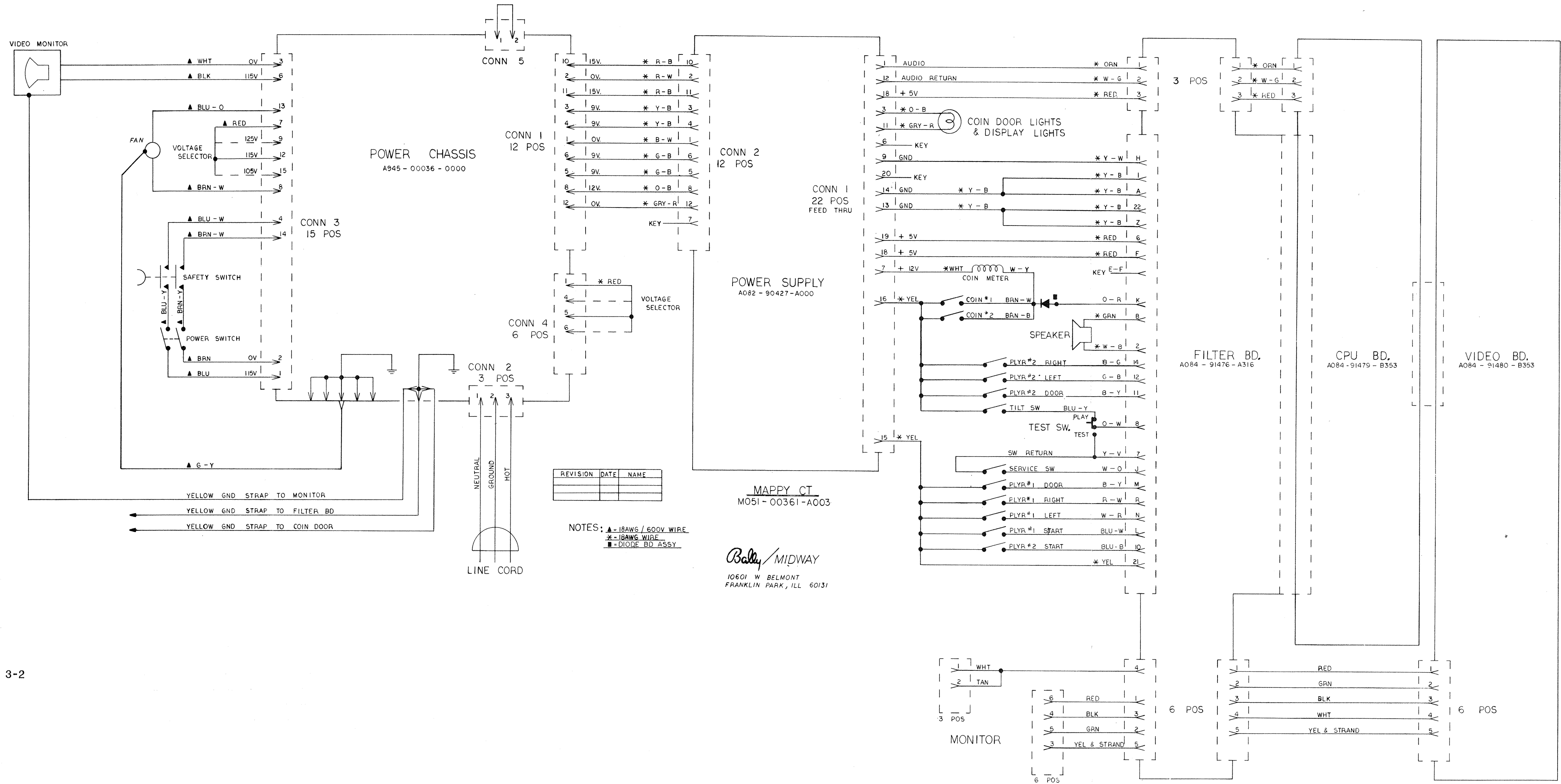
VIDEO BD.
A064 - 91480 - B353

MAPPY
M051 - 00353 - A003

REVISION	DATE	NAME

NOTES: ▲ - 18AWG / 600V WIRE
* - 18AWG WIRE
■ - DIODE BD ASSY

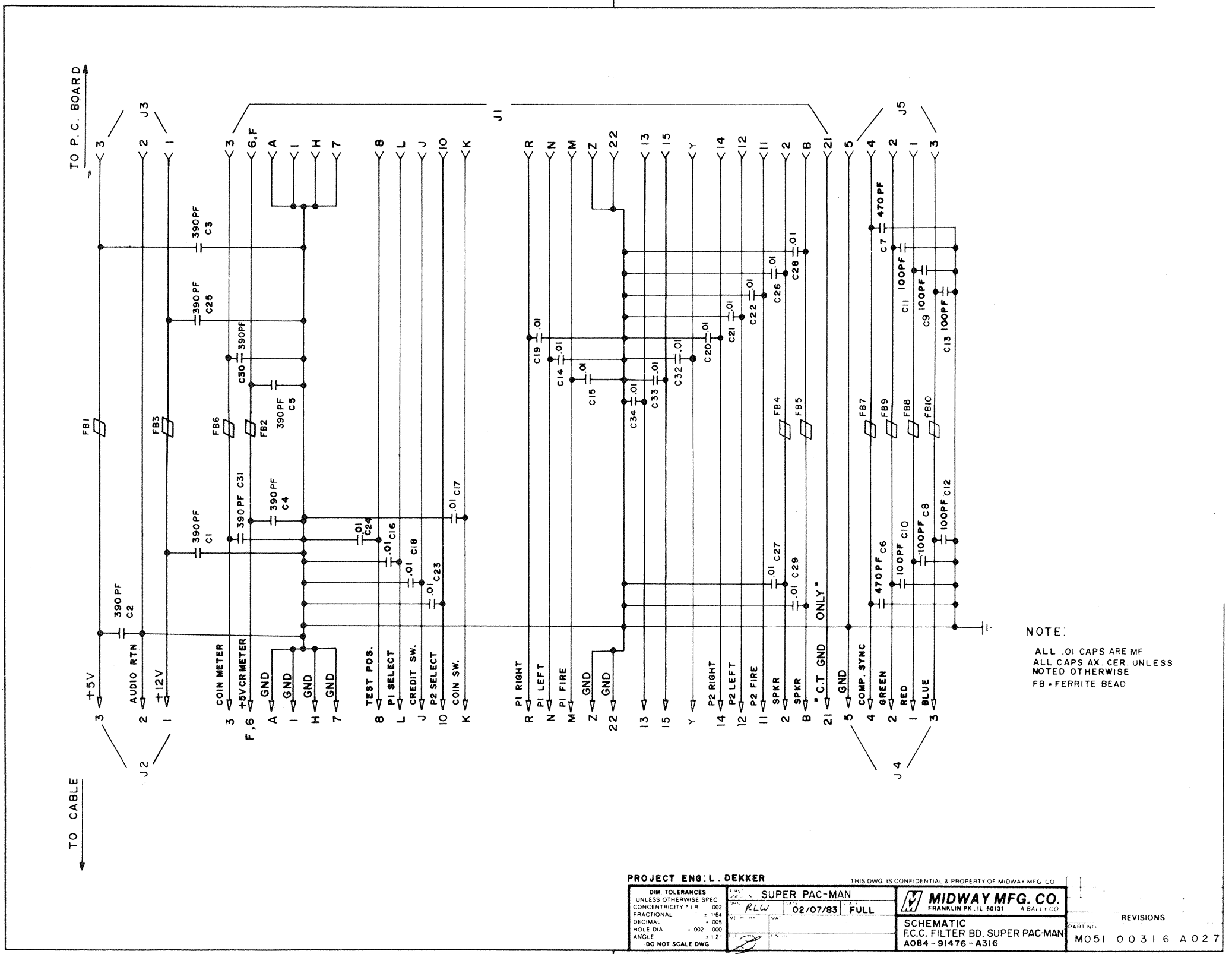
Bally / MIDWAY
10601 W BELMONT
FRANKLIN PARK, ILL 60131



DESIGNATION NO.	DESCRIPTION	QTY	DESIGNATION NO.	PART NO.	DESCRIPTION	QTY	DESIGNATION NO.	PART NO.
C1 - C5	390pf 50V. AX. CER.	6	C8 - C13	0789-00800-1800	WSH. 6.145-.250-.032	2	J1MH	0017-00104-0002
C6, C7	470pf	8	C1 - C5, C25, C30, C31	0316-00800-0002	BRKT.-CONN. FIN.	1		0866-00118-000F
C8 - C13	100pf	2	C6, C7	0550-00800-0200	INSULATED GND. STRAP	1		3000-17143-0700
C14 - C24	.01uf	20	C14 - C24, C26 - C29, C32 - C36	0550-00800-0300	8-32 X 5 SLOT PAN SCREW	1		0017-00101-0595
C25	390pf	1			8-32 NUT HEX	1		0017-00103-0008
C26 - C29	.01uf	2			F.C.C. FILTER BD. SUPER PAC-MAN	1	A080-91476-A316	A080-91476-A316
C30, C31	390pf	1						
C32 - C36	.01uf	10						
FBI - FB10	FERRITE BEAD	10						
J1	P.C. EDGE CONN.	1						
J2, J3	3 PIN HEADER	2						
J4, J5	6 PIN HEADER	2						
J1MH	(2) P.C. EDGE CONN. KEY (2) 6-32 X 10 SLOT PAN SCREW (2) WSH. 6.145-.250-.032 (1) BRKT.-CONN. FIN. (1) INSULATED GND. STRAP (1) 8-32 X 5 SLOT PAN SCREW (1) 8-32 NUT HEX	2						

DESCRIPTION	QTY	DESIGNATION NO.	PART NO.	DESCRIPTION	QTY	DESIGNATION NO.	PART NO.
100pf 50V. AX. CER.	6	C8 - C13	0789-00800-1800	WSH. 6.145-.250-.032	2	J1MH	0017-00104-0002
390pf	8	C1 - C5, C25, C30, C31	0316-00800-0002	BRKT.-CONN. FIN.	1		0866-00118-000F
470pf	2	C6, C7	0550-00800-0200	INSULATED GND. STRAP	1		3000-17143-0700
.01uf	20	C14 - C24, C26 - C29, C32 - C36	0550-00800-0300	8-32 X 5 SLOT PAN SCREW	1		0017-00101-0595
FERRITE BEAD	10	FBI - FB10	0316-00804-0002	8-32 NUT HEX	1		0017-00103-0008
P.C. EDGE CONN.	1	J1	0017-00021-0418	F.C.C. FILTER BD. SUPER PAC-MAN	1	A080-91476-A316	A080-91476-A316
3 PIN HEADER	2	J2, J3	0017-00021-0443				
6 PIN HEADER	2	J4, J5	0017-00021-0424				
P.C. EDGE CONN. KEY	2	J1MH	0017-00021-0396				
6-32 X 10 SLOT PAN SCREW	2		0017-00101-0574				

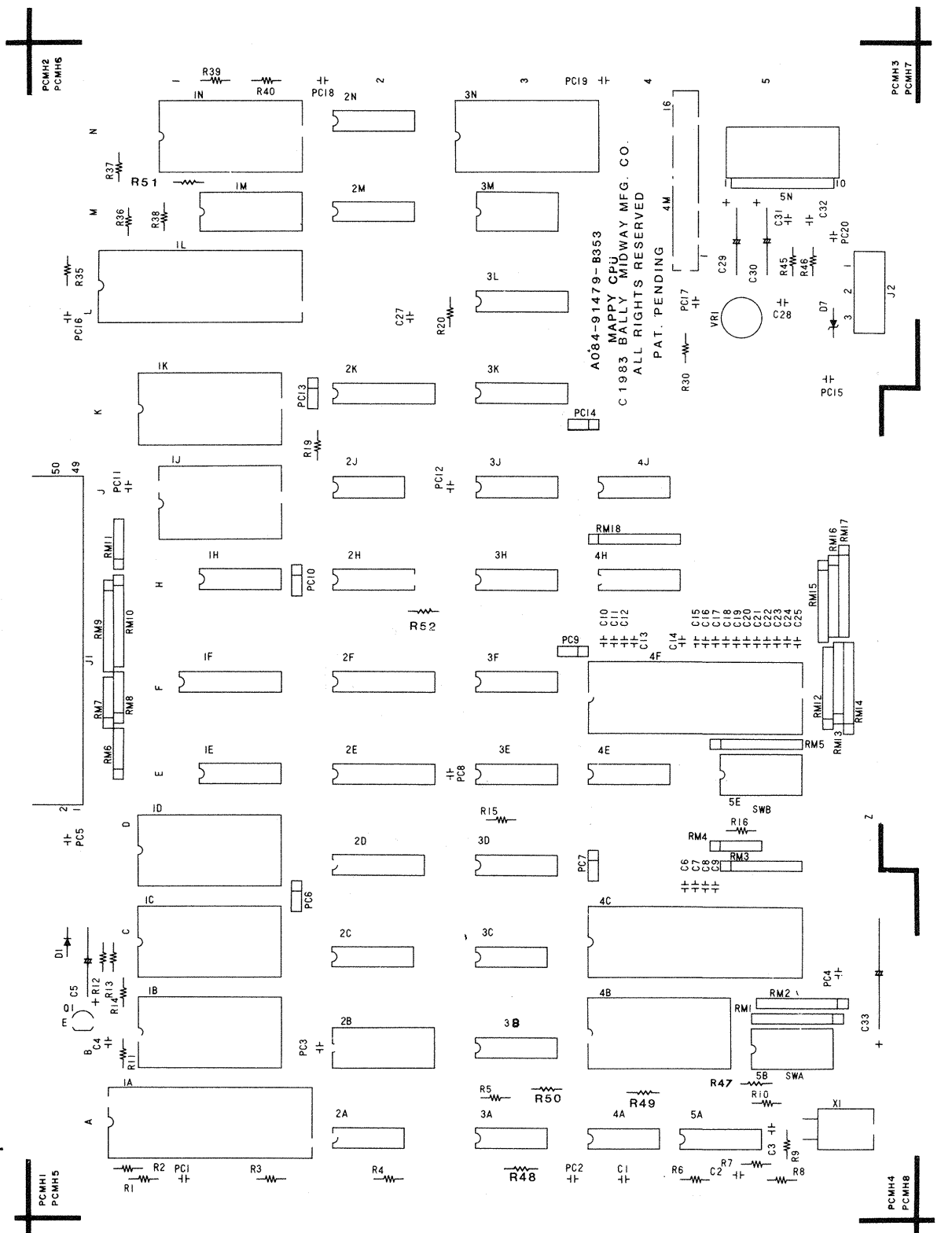
PROJECT ENG: L. DEKKER	DATE: 02/08/83	SCALE: FULL	USED ON SUPER PAC-MAN	REVISIONS
ASSEMBLY DRAWING		F.C.C. FILTER BD. SUPER PAC-MAN		PART NO. M051-00316-A026
A084-91476-A316				



DESIGNATION LIST

CROSS REFERENCE LIST

DESIGNATION NO.	DESCRIPTION	DESIGNATION NO.	DESCRIPTION
C3	100 PF	IC 1E	74LS367
C4	.001 MF	IC 2E	74LS245
C5	22 MF AX ELEC.	IC 3E,4E	74LS157
C6-C25	.01 MF		
C28	.01 MF	IC 1F,2F	74LS245
C29	2.2 MF AX ELEC.	IC 3F	74LS257
C30	47 MF AX ELEC.	IC 4F	58XX CUSTOM IC
C31,32	.033 MF		
C33	220 MF	IC 1H,2H	74LS367
		IC 3H	74LS257
		IC 4H	74LS368
PC1-PC5	0.1 MF		
PC6,PC7	0.1 MF	IC 2J	74LS74
PC8	1 MF	IC 3J	74LS159
PC9,PC10	0.1 MF	IC 4J	74LS03
PC11,PC12	0.1 MF		
PC13,PC14	1 MF		
PC15-PC20	0.1 MF	IC 1K	2764 EPROM MP1-4
		IC 2K	74LS245
		IC 3K	M2148 RAM KIT A
R1	2.2K OHM 1/4W 5%	IC 1L	CPU 68A09E
R2	1K OHM 1/4W 5%	IC 3L	M2148 RAM KIT A
R3	470 OHM 1/4W 5%		
R4,R5	1K OHM 1/4W 5%	IC 1M	PAL SPC-5
R7	330 OHM 1/4W 5%	IC 2M	74LS259
R10	330 OHM 1/4W 5%	IC 3M	BP ROM
R11	47K OHM 1/4W 5%	IC 4M	99XX CUSTON IC
R12	4.7K OHM 1/4W 5%		
R13	2.2K OHM 1/4W 5%	IC 1N	07XX CUSTOM IC
R14,R15	1K OHM 1/4W 5%	IC 2N	74LS367
R16	4.7K OHM 1/4W 5%	IC 3N	15XX CUSTOM IC
R19	1K OHM 1/4W 5%	IC 5N	LA 4460 AUDIO AMP
R30	10K OHM 1/4W 5%		
R35	2.2K OHM 1/4W 5%	HS IC 5N	HEATSINK
R36,R37	1K OHM 1/4W 5%		
R38	470 OHM 1/4W 5%		
R39,R40	1K OHM 1/4W 5%		
R45,R46	4.7 OHM 1/4W 5%		
R47-R52	100 OHM 1/4W 5%	ICS 1A	40 PIN IC SOCKET
		ICS 1B	28 PIN IC SOCKET
		ICS 2B	20 PIN IC SOCKET
		ICS 4B	28 PIN IC SOCKET
		ICS 1C	28 PIN IC SOCKET
		ICS 4C	42 PIN IC SOCKET
		ICS 1D	28 PIN IC SOCKET
		ICS 2D	18 PIN IC SOCKET
		ICS 4F	42 PIN IC SOCKET
		ICS 1K	28 PIN IC SOCKET
		ICS 3K	18 PIN IC SOCKET
		ICS 1L	40 PIN IC SOCKET
		ICS 3L	18 PIN IC SOCKET
		ICS 1M	16 PIN IC SOCKET
		ICS 3M	20 PIN IC SOCKET
		ICS 1N	28 PIN IC SOCKET
D1	1N914B	J2	3 PIN AMP CONN.
D7	1N4735A		
Q1	2N3391A	J1	50 PIN CONN. SOCKET
			50 PIN CABLE ASSY
IC 1A	CPU 68A09E	MHHSIC 5N	H.S. MTG. SCREW 4-40X7 PAN HD
IC 2A	74LS74	MHHSIC 5N	H.S. #4 FLT. WASHER
IC 3A	74LS04	MHHSIC 5N	H.S. 4-40 HEX. NUTS
IC 4A	74LS02		
IC 5A	74LS368	PC MH1-PC MH4	P.C. MTG. SCREW 6-32X6
		PC MH5-PC MH8	METAL STANDOFFS CARD SPACER FIN.
IC 1B	2764 EPROM MP1-1	SWA,SWB	8 POS. DIP. SW.
IC 2B	PAL SPC-6		
IC 3B	74LS109	X1	18.432 MHZ CRYSTAL
IC 4B	16XX CUSTOM IC		
IC 1C	2764 EPROM MP1-2		
IC 2C	74LS138		
IC 3C	74LS32		
IC 4C	58XX CUSTOM IC	A080-91479-B353	MAPPY CPU P.C.
IC 1D	2764 EPROM MP2-3		
IC 2D	2114 STATIC RAY		
IC 3D	74LS161		

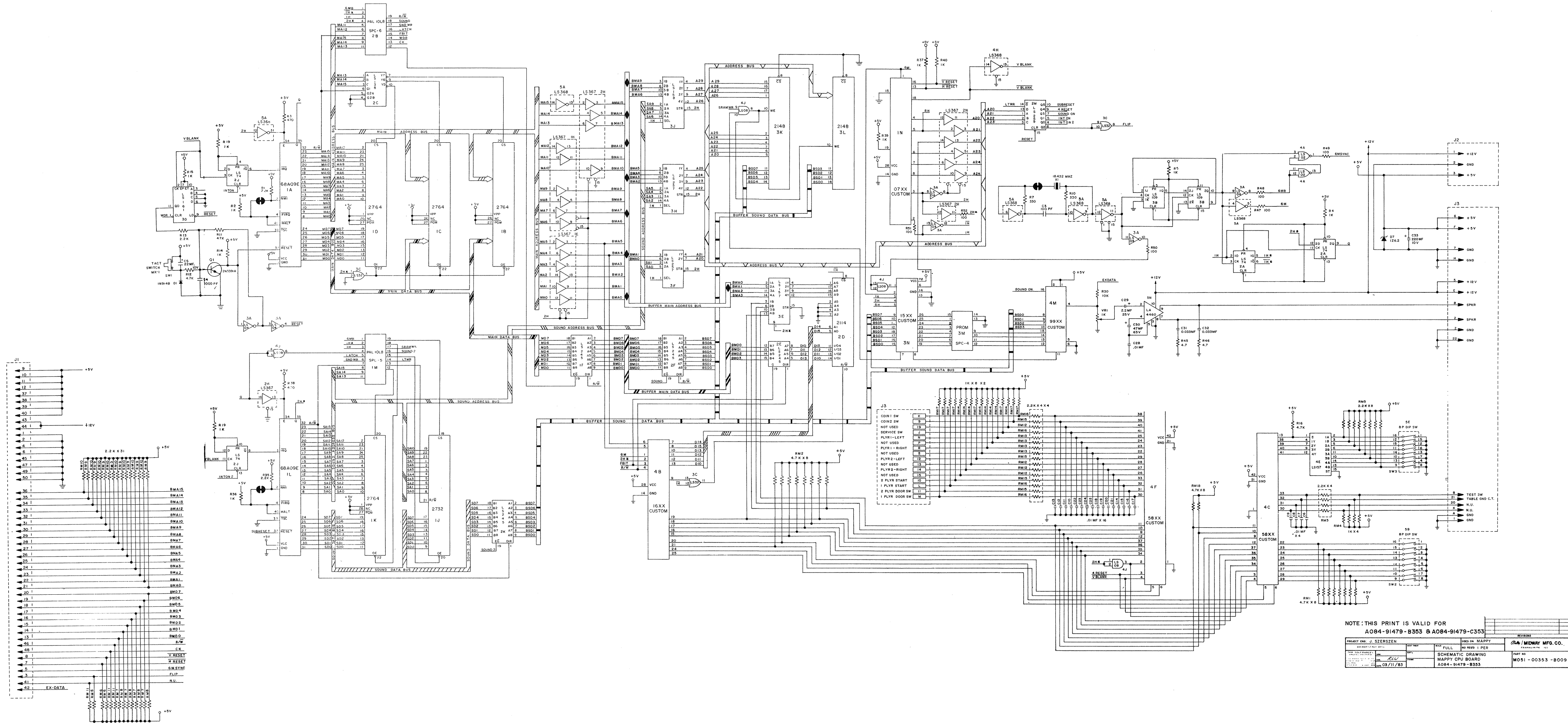


DESCRIPTION	QTY	DESIGNATION NO.	PART NOS.
100 PF	1	C3	0300-00800-0500
.001 MF	1	C4	0300-00800-0600
.033 MF	2	C31, C32	0353-00800-0002
.01 MF	21	C6-C25, C28	0353-00800-0001
0.1 MF	14	PC1-PC5, PC8, PC11, PC12, PC15-PC20	0508-00800-0900
1 MF	6	PC6, PC7, PC9, PC10, PC13, PC14	0935-00814-0100
2.2 MF AX ELEC	1	C29	0353-00800-0005
22 MF AX ELEC	1	C5	0353-00800-0004
47 MF AX ELEC	1	C30	0353-00800-0003
220 MF	1	C33	0508-00800-1400
4.7 OHM 1/4W 5%	2	R45, R46	0062-042B3-1XXX
100 OHM 1/4W 5%	6	R47-R52	0062-110B3-1XXX
330 OHM 1/4W 5%	2	R7, R10	0062-144B3-1XXX
470 OHM 1/4W 5%	2	R3, R38	0062-156B3-1XXX
1K OHM 1/4W 5%	10	R2, R4, R5, R14, R15, R19, 36, 37, 39, 40	0062-179B3-1XXX
2.2K OHM 1/4W 5%	3	R1, R13, R35	0062-195B3-1XXX
4.7K OHM 1/4W 5%	2	R12, R16	0062-211B3-1XXX
10K OHM 1/4W 5%	1	R30	0062-227B3-1XXX
47K OHM 1/4W 5%	1	R11	0062-259B3-1XXX
1K OHM 5 PIN SIP 1/8W	1	RM4	0508-00804-0100
1K OHM 9 PIN SIP 1/8W	2	RM14, RM17	0508-00804-0200
2.2K OHM 5 PIN SIP 1/8W	4	RM6, RM7, RM8, RM11	0353-00804-0001
2.2K OHM 9 PIN SIP 1/8W	3	RM5, RM9, RM10	0508-00804-0300
4.7K OHM 9 PIN SIP 1/8W	3	RM1, RM2, RM18	0508-00804-1000
2.2K OHM 8 PIN SIP 1/8W	5	RM3, RM12, RM13, RM15, RM16	0508-00804-1200
POT 1K	1	VR1	0508-00804-1300
1N914B	1	D1	0508-00801-0100
1N4735A	1	D7	0064-079XX-XXJX
2N3391A	1	Q1	0508-00802-0200
74LS02	1	IC 4A	0300-00803-0028
74LS04	1	IC 3A	0300-00803-0029
74LS08	1	IC 4J	0300-00803-0030
74LS32	1	IC 3C	0300-00803-0031
74LS74	2	IC 2A, 2J	0300-00803-0032
74LS109	1	IC 3B	0316-00803-0001
74LS138	1	IC 2C	0300-00803-0033
74LS157	2	IC 3E, 4E	0300-00803-0050
74LS158	1	IC 3J	0300-00803-0049
74LS161	1	IC 3D	0300-00803-0044
74LS245	4	IC 1F, 2E, 2F, 2K	0300-00803-0046
74LS257	2	IC 3F, 3H	0316-00803-0002
74LS259	1	IC 2M	0316-00803-0003
74LS367	4	IC 1E, 1H, 2H, 2N	0300-00803-0039
74LS368	2	IC 4H, 5A	0316-00803-0004
M2148 RAM KIT A	2	IC 3K, 3L	0550-00803-6200
2114 STATIC RAM	1	IC 2D	0508-00803-0300
PAL SPC-6	1	IC 2B	0316-00803-0010
PAL SPC-5	1	IC 1M	0316-00803-0009
BP ROM	1	IC 3M	0353-00803-0005
2764 EPROM MP1-1	1	IC 1B	0353-00803-0001
2764 EPROM MP1-2	1	IC 1C	0353-00803-0002
2764 EPROM MP2-3	1	IC 1D	0353-00803-0003
2764 EPROM MP1-4	1	IC 1K	0353-00803-0004

DESCRIPTION	QTY	DESIGNATION NO.	PART NOS.
CPU 68A09E	2	IC 1A, 1L	0316-00803-0011
07XX CUSTOM IC	1	IC 1N	0066-006CX-XAPX
15XX CUSTOM IC	1	IC 3N	0066-020CX-XAPX
16XX CUSTOM IC	1	IC 4B	0066-021CX-XAPX
58XX CUSTOM IC	2	IC 4C, 4F	0066-028CX-XAPX
LA 4460 AUDIO AMP	1	IC 5N	0066-373BX-XBAX
99XX CUSTOM IC	1	IC 4M	0066-029CX-XAPX
HEATSINK	1	HS IC 5N	0353-00900-0000
16 PIN IC SOCKET	1	ICS 3M	0932-00817-0100
18 PIN IC SOCKET	3	ICS 2D, 3K, 3L	0300-00804-0900
20 PIN IC SOCKET	2	ICS 1M, 2B	0550-00804-2300
28 PIN IC SOCKET	7	ICS 1B, 1C, 1D, 1K, 1N, 3N, 4B	0508-00804-0400
40 PIN IC SOCKET	2	ICS 1A, 1L	0508-00804-1800
42 PIN IC SOCKET	2	ICS 4C, 4F	0508-00804-1900
3 PIN AMP. CONN.	1	J2	0017-00021-0443
50 PIN CONN. SOCKET	1	J1	0300-00804-1104
50 PIN CABLE ASSY	1	---	A300-00020-0000
HEATSINK MTG. SCREW	2	MH HS IC 5N	0017-00101-0511
4-40X7 PAN HD			
H.S. #4 FLT. WASHER	4	MH HS IC 5N	0017-00104-0092
H.S. 4-40 HEX NUTS	2	MH HS IC 5N	0017-00103-0093
PC. MTG. SCREW 6-32X6	4	PCMH1-PCMH4	0017-00101-0339
METAL STANDOFF	4	PCMH5-PCMH8	0316-00700-00XF
CARD SPACER FIN.			
8 POS. DIP SW.	2	SWA, SWB	0300-00804-0700
18.432 MHZ	1	CRYSTAL 1	0508-00804-1400
MAPPY CPU P.C.	1	---	A080-91479-B353

NOTE: THIS PRINT IS VALID FOR
A084-91479-B353 & A084-91479-C353.

PROJECT ENG: J. SZERSZEN		USED ON: MAPPY		REVISIONS	
DO NOT SCALE DWT.		HEAT TREAT	SCALE: FULL	NO. REQ'D: 1 PER	
DIM TOLERANCE: UNLESS OTHERWISE SPECIFIED		MAT'L	Bally / MIDWAY MFG. CO.		
FINISH		FRANKLIN PK ILL			PART NO
MAPPY CPU ASSY DWG.		A084-91479-B353			M051 - 00353 - 8008
DATE: 03/02/83					



NOTE: THIS PRINT IS VALID FOR
 A084-91479-B353 & A084-91479-C353

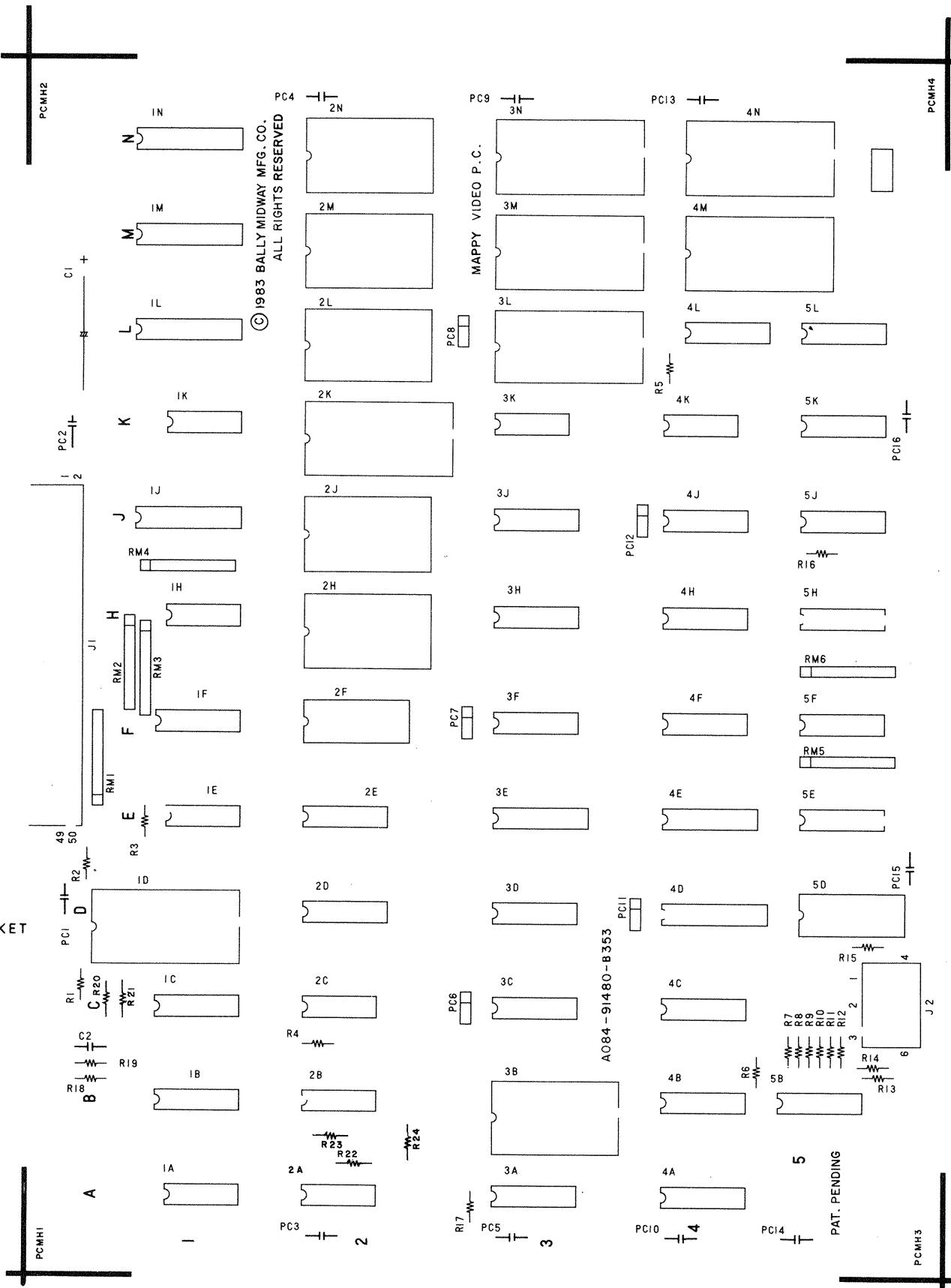
PROJECT ENG. J. SZERZEN	DESIGNER MAPPY	DATE 11/83
DESIGNED BY MAPPY	FULL NO. REV. 1 PER	DATE 11/83
DATE 11/83	SCHEMATIC DRAWING	DATE 11/83
DATE 11/83	HAPPY CPU BOARD	DATE 11/83
DATE 11/83	A084-91479-B353	DATE 11/83

DESIGNATION LIST

DESIGNATION	DESCRIPTION	DESIGNATION	DESCRIPTION
C1	220 MF	IC 1J	74LS245
PC1-PC5	0.1 MF CER.	IC 2J	2KX8 RAM
PC6-PC8	1 MF TANT.	IC 3J,4J	74LS161
PC9,PC10	0.1 MF CER.	IC 5J	74LS157
PC11,PC12	1 MF TANT.		
PC13-PC16	0.1 MF CER.	IC 1K	74LS08
		IC 2K	04XX CUSTOM IC
R1-R7	1K OHM 1/4W 5%	IC 3K	74LS86
R8	470 OHM 1/4W 5%	IC 4K	74LS20
R9	220 OHM 1/4W 5%	IC 5K	BP-ROM MP2-5K
R10	1K OHM 1/4W 5%		
R11	470 OHM 1/4W 5%	IC 1L	74LS245
R12,R13	220 OHM 1/4W 5%	IC 2L	2KX8 RAM
R14	470 OHM 1/4W 5%	IC 3L	12XX CUSTOM IC
R15	100 OHM 1/4W 5%	IC 4L	74LS174
R16,R17	1K OHM 1/4W 5%	IC 5L	74LS378
R20,R21	100 OHM 1/4W 5%		
R22	82 OHM 1/4W 5%	IC 1M	74LS245
R23,R24	100 OHM 1/4W 5%	IC 2M	2KX8 RAM
		IC 3M	2764 EPROM MP1-6
		IC 4M	11XX CUSTOM IC
RM1-RM4	2.2 K 9 PIN SIP	IC 1N	74LS245
RM5, RM6	1 K 9 PIN SIP	IC 2N	2KX8 RAM
		IC 3N	2764 EPROM MP1-7
IC 1A	74LS00	ICS 3B	24 PIN IC SOCKET
IC 2A	74LS04	ICS 5B	16 PIN IC SOCKET
IC 3A,4A	74LS194	ICS 4C	16 PIN IC SOCKET
		ICS 1D	28 PIN IC SOCKET
		ICS 5D	20 PIN IC SOCKET
		ICS 3E,4E	18 PIN IC SOCKET
		ICS 2F	20 PIN IC SOCKET
		ICS 2H	24 PIN IC SOCKET
		ICS 2J	24 PIN IC SOCKET
		ICS 2K	28 PIN IC SOCKET
		ICS 5K	16 PIN IC SOCKET
		ICS 2L	24 PIN IC SOCKET
		ICS 3L	28 PIN IC SOCKET
		ICS 2M	24 PIN IC SOCKET
		ICS 3M,4M	28 PIN IC SOCKET
		ICS 2N	24 PIN IC SOCKET
		ICS 3N	28 PIN IC SOCKET
IC 1B	74LS368	J2	6 PIN AMP CONN.
IC 2B	74LS32	J1	50 PIN CONN. SOCKET
IC 3B	2732 EPROM MP1-5		
IC 4B	74LS158	PCMH1-PCMH4	P.C. MNTG SCREWS
IC 5B	BP-ROM MP2-5B		
IC 1C	74LS139		
IC 2C	74LS74		
IC 3C	74LS174		
IC 4C	BP-ROM MP2-4C		
IC 1D	07XX CUSTOM IC		
IC 2D	74LS258		
IC 3D	74LS174		
IC 4D	74LS377		
IC 5D	PAL 2-5D		
IC 1E	74LS08		
IC 2E	74LS257		
IC 3E,4E	2148 RAM KIT A		
IC 5E	74LS298		
IC 1F	74LS138		
IC 2F	17XX CUSTOM IC		
IC 3F,4F	74LS161		
IC 5F	74LS365		
IC 1H	74LS32		
IC 2H	2KX8 RAM		
IC 3H,4H	74LS161		
IC 5H	74LS365		

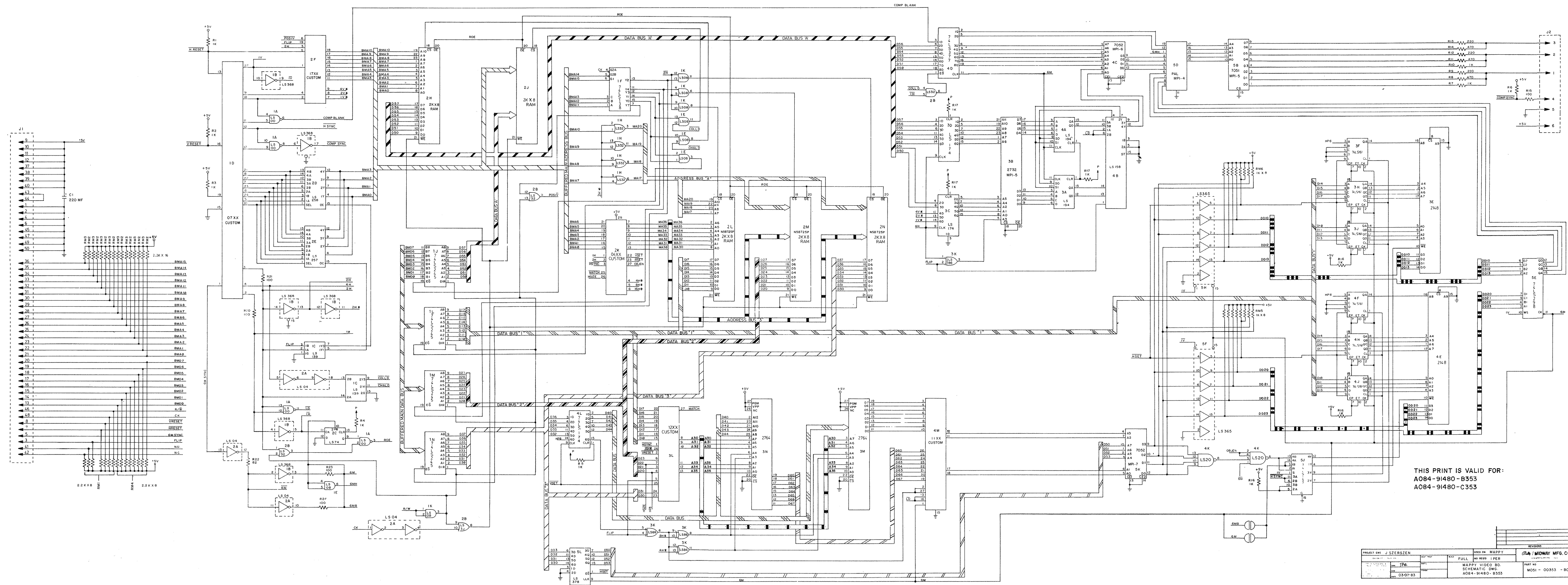
CROSS REFERENCE LIST

DESCRIPTION	QTY	DESIGNATION NO.	PART NOS.
0.1 MF CER	11	PC1-PC5,PC9,PC10,PC13-PC16	0508-00800-0900
220 MF	1	C1	0508-00800-1400
1 MF TANT	5	PC6,PC7,PC8,PC11,PC12	0935-00814-0100
82 OHM 1/4W 5%	1	R22	0062-104B3-1XXX
100 OHM 1/4W 5%	5	R15,R20,R21,R23,R24	0062-110B3-1XXX
220 OHM 1/4W 5%	3	R9,R12,R13	0062-133B3-1XXX
470 OHM 1/4W 5%	3	R8,R11,R14	0062-156B3-1XXX
1K OHM 1/4W 5%	10	R1-R7,R10,R16,R17	0062-179B3-1XXX
1K 9 PIN SIP	2	RM5, RM6	0508-00804-0200
2.2K 9 PIN SIP	4	RM1-RM4	0508-00804-0300
74LS00	1	IC 1A	0300-00803-0027
74LS04	1	IC 2A	0300-00803-0029
74LS08	2	IC 1E,1K	0300-00803-0030
74LS20	1	IC 4K	0300-00803-0052
74LS32	2	IC 1H,2B	0300-00803-0031
74LS74	1	IC 2C	0300-00803-0032
74LS86	1	IC 3K	0300-00803-0032
74LS138	1	IC 1F	0300-00803-0054
74LS139	1	IC 1G	0300-00803-0033
74LS157	1	IC 1C	0300-00803-0034
74LS158	1	IC 5J	0300-00803-0050
74LS161	1	IC 4B	0300-00803-0049
74LS174	6	IC 3F,3H,3J,4F,4H,4J	0300-00803-0044
74LS194	3	IC 3C,3D,4L	0300-00803-0047
74LS245	2	IC 3A,4A	0333-00803-0003
74LS257	4	IC 1J,1L,1M,1N	0300-00803-0046
74LS258	1	IC 2E	0316-00803-0002
74LS298	1	IC 2D	0353-00803-0013
74LS365	1	IC 5E	0316-00803-0019
74LS368	2	IC 5F,5H	0316-00803-0020
74LS377	1	IC 1B	0316-00803-0004
74LS378	1	IC 4D	0316-00803-0021
2148 RAM KIT A	1	IC 5L	0316-00803-0018
2KX8 RAM	2	IC 3E,4E	0550-00803-6200
PAL 2-5D	5	IC 2H,2J,2L,2M,2N	0508-00803-2500
BP-ROM MP2-5B	1	IC 5D	0353-00803-0009
BP-ROM MP2-4C	1	IC 5B	0353-00803-0010
BP-ROM MP2-5K	1	IC 4C	0353-00803-0011
2732 EPROM MP1-5	1	IC 5K	0353-00803-0012
2764 EPROM MP1-6	1	IC 3B	0353-00803-0006
2764 EPROM MP1-7	1	IC 3M	0353-00803-0007
04XX CUSTOM IC	1	IC 3N	0353-00803-0008
07XX CUSTOM IC	1	IC 2K	0066-003CX-XAPX
11XX CUSTOM IC	1	IC 1D	0066-006CX-XAPX
12XX CUSTOM IC	1	IC 4M	0066-018CX-XAPX
17XX CUSTOM IC	1	IC 3L	0066-019CX-XAPX
	1	IC 2F	0066-030CX-XAPX
16 PIN IC SOCKET	3	ICS 4C,5B,5K	0932-00817-0100
18 PIN IC SOCKET	2	ICS 3E,4E	0300-00804-0900
20 PIN IC SOCKET	2	ICS 2F,5D	0550-00804-2300
24 PIN IC SOCKET	6	ICS 2H,2J,2L,2M,2N,3B	0508-00804-0500
28 PIN IC SOCKET	6	ICS 1D,2K,3L,3M,3N,4M	0508-00804-0400
6 PIN AMP CONN.	1	J2	0017-00021-0424
50 PIN CONN.SCKT	1	J1	0300-00804-1104
MAPPY VIDEO P.C.	1		A080-91480-B353
P.C. MNTG SCREWS	4	PCMH1-PCMH4	0017-00101-0339



THIS PRINT IS VALID FOR:
A084-91480-B353
A084-91480-C353

PROJECT ENG: J. SZERSZEN		USED ON MAPPY		REVISIONS	
DO NOT SCALE DWG.		HEAT TREAT	SCALE	FULL	
DIM. TOLERANCES UNLESS SPECIFIED		MAT'L.	NO. REQ'D	IPER	
DRG. <i>JMS</i>		FINISH	MAPPY VIDEO P.C. ASSY DWG.		
DATE 03/16/83		A084-91480-B353			PART NO. M051 - 00353 - B010

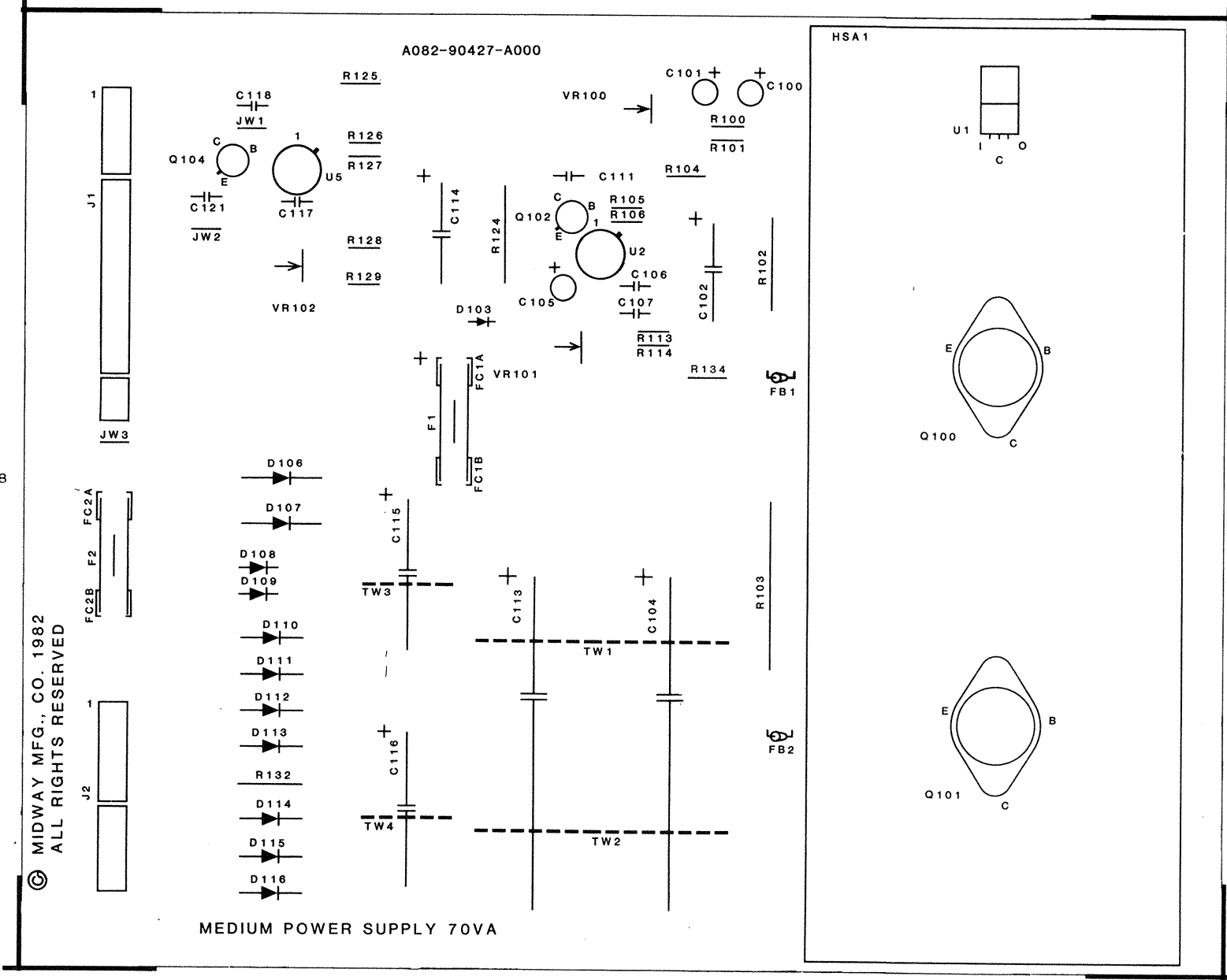


THIS PRINT IS VALID FOR:
 A084-91480-B353
 A084-91480-C353

PROJECT ENG. J. SZERBZEN		DESIGNER M. MAPPY		DATE	
REV. 1	176	REV. 1	176	MAY 80	MAY 80
REV. 2	176	REV. 2	176	MAY 80	MAY 80
REV. 3	176	REV. 3	176	MAY 80	MAY 80
REV. 4	176	REV. 4	176	MAY 80	MAY 80
REV. 5	176	REV. 5	176	MAY 80	MAY 80
REV. 6	176	REV. 6	176	MAY 80	MAY 80
REV. 7	176	REV. 7	176	MAY 80	MAY 80
REV. 8	176	REV. 8	176	MAY 80	MAY 80
REV. 9	176	REV. 9	176	MAY 80	MAY 80
REV. 10	176	REV. 10	176	MAY 80	MAY 80
REV. 11	176	REV. 11	176	MAY 80	MAY 80
REV. 12	176	REV. 12	176	MAY 80	MAY 80
REV. 13	176	REV. 13	176	MAY 80	MAY 80
REV. 14	176	REV. 14	176	MAY 80	MAY 80
REV. 15	176	REV. 15	176	MAY 80	MAY 80
REV. 16	176	REV. 16	176	MAY 80	MAY 80
REV. 17	176	REV. 17	176	MAY 80	MAY 80
REV. 18	176	REV. 18	176	MAY 80	MAY 80
REV. 19	176	REV. 19	176	MAY 80	MAY 80
REV. 20	176	REV. 20	176	MAY 80	MAY 80
REV. 21	176	REV. 21	176	MAY 80	MAY 80
REV. 22	176	REV. 22	176	MAY 80	MAY 80
REV. 23	176	REV. 23	176	MAY 80	MAY 80
REV. 24	176	REV. 24	176	MAY 80	MAY 80
REV. 25	176	REV. 25	176	MAY 80	MAY 80
REV. 26	176	REV. 26	176	MAY 80	MAY 80
REV. 27	176	REV. 27	176	MAY 80	MAY 80
REV. 28	176	REV. 28	176	MAY 80	MAY 80
REV. 29	176	REV. 29	176	MAY 80	MAY 80
REV. 30	176	REV. 30	176	MAY 80	MAY 80
REV. 31	176	REV. 31	176	MAY 80	MAY 80
REV. 32	176	REV. 32	176	MAY 80	MAY 80
REV. 33	176	REV. 33	176	MAY 80	MAY 80
REV. 34	176	REV. 34	176	MAY 80	MAY 80
REV. 35	176	REV. 35	176	MAY 80	MAY 80
REV. 36	176	REV. 36	176	MAY 80	MAY 80
REV. 37	176	REV. 37	176	MAY 80	MAY 80
REV. 38	176	REV. 38	176	MAY 80	MAY 80
REV. 39	176	REV. 39	176	MAY 80	MAY 80
REV. 40	176	REV. 40	176	MAY 80	MAY 80
REV. 41	176	REV. 41	176	MAY 80	MAY 80
REV. 42	176	REV. 42	176	MAY 80	MAY 80
REV. 43	176	REV. 43	176	MAY 80	MAY 80
REV. 44	176	REV. 44	176	MAY 80	MAY 80
REV. 45	176	REV. 45	176	MAY 80	MAY 80
REV. 46	176	REV. 46	176	MAY 80	MAY 80
REV. 47	176	REV. 47	176	MAY 80	MAY 80
REV. 48	176	REV. 48	176	MAY 80	MAY 80
REV. 49	176	REV. 49	176	MAY 80	MAY 80
REV. 50	176	REV. 50	176	MAY 80	MAY 80
REV. 51	176	REV. 51	176	MAY 80	MAY 80
REV. 52	176	REV. 52	176	MAY 80	MAY 80
REV. 53	176	REV. 53	176	MAY 80	MAY 80
REV. 54	176	REV. 54	176	MAY 80	MAY 80
REV. 55	176	REV. 55	176	MAY 80	MAY 80
REV. 56	176	REV. 56	176	MAY 80	MAY 80
REV. 57	176	REV. 57	176	MAY 80	MAY 80
REV. 58	176	REV. 58	176	MAY 80	MAY 80
REV. 59	176	REV. 59	176	MAY 80	MAY 80
REV. 60	176	REV. 60	176	MAY 80	MAY 80
REV. 61	176	REV. 61	176	MAY 80	MAY 80
REV. 62	176	REV. 62	176	MAY 80	MAY 80
REV. 63	176	REV. 63	176	MAY 80	MAY 80
REV. 64	176	REV. 64	176	MAY 80	MAY 80
REV. 65	176	REV. 65	176	MAY 80	MAY 80
REV. 66	176	REV. 66	176	MAY 80	MAY 80
REV. 67	176	REV. 67	176	MAY 80	MAY 80
REV. 68	176	REV. 68	176	MAY 80	MAY 80
REV. 69	176	REV. 69	176	MAY 80	MAY 80
REV. 70	176	REV. 70	176	MAY 80	MAY 80
REV. 71	176	REV. 71	176	MAY 80	MAY 80
REV. 72	176	REV. 72	176	MAY 80	MAY 80
REV. 73	176	REV. 73	176	MAY 80	MAY 80
REV. 74	176	REV. 74	176	MAY 80	MAY 80
REV. 75	176	REV. 75	176	MAY 80	MAY 80
REV. 76	176	REV. 76	176	MAY 80	MAY 80
REV. 77	176	REV. 77	176	MAY 80	MAY 80
REV. 78	176	REV. 78	176	MAY 80	MAY 80
REV. 79	176	REV. 79	176	MAY 80	MAY 80
REV. 80	176	REV. 80	176	MAY 80	MAY 80
REV. 81	176	REV. 81	176	MAY 80	MAY 80
REV. 82	176	REV. 82	176	MAY 80	MAY 80
REV. 83	176	REV. 83	176	MAY 80	MAY 80
REV. 84	176	REV. 84	176	MAY 80	MAY 80
REV. 85	176	REV. 85	176	MAY 80	MAY 80
REV. 86	176	REV. 86	176	MAY 80	MAY 80
REV. 87	176	REV. 87	176	MAY 80	MAY 80
REV. 88	176	REV. 88	176	MAY 80	MAY 80
REV. 89	176	REV. 89	176	MAY 80	MAY 80
REV. 90	176	REV. 90	176	MAY 80	MAY 80
REV. 91	176	REV. 91	176	MAY 80	MAY 80
REV. 92	176	REV. 92	176	MAY 80	MAY 80
REV. 93	176	REV. 93	176	MAY 80	MAY 80
REV. 94	176	REV. 94	176	MAY 80	MAY 80
REV. 95	176	REV. 95	176	MAY 80	MAY 80
REV. 96	176	REV. 96	176	MAY 80	MAY 80
REV. 97	176	REV. 97	176	MAY 80	MAY 80
REV. 98	176	REV. 98	176	MAY 80	MAY 80
REV. 99	176	REV. 99	176	MAY 80	MAY 80
REV. 100	176	REV. 100	176	MAY 80	MAY 80

DESIGNATION LIST

DESIGNATION	DESCRIPTION	DESIGNATION	DESCRIPTION
C100	10 μf RD TANT	D103	IN 4001
C101	0.47 μf RD TANT 35V	D106, 107	MR 750
C102	470 μf AX. ELEC.	D108, 109	IN 4001
C104	25,000 μf AX. ELEC.	D110-D116	A15F 50V 5A
C105	4.7 μf RD TANT 35V	Q102, Q104	2N2905
C106, 107	0.1 μf	U2, U5	LM305
C111	0.1 μf	FB1, FB2	FERRITE BEAD
C113	40,000 μf AX. ELEC.	FBMH1, FBMH2	FERRITE BEAD MTG HDRW.
C114	470 μf " " " "		2-20G SOLID WIRE
C115	2200 μf " " " 25V	HSA1	HEAT SINK ASSY.
C116	4700 μf " " " "	MHSA	HEAT SINK ASSY MTG HDRW
C117	47 pf		2-4-40X10 SLT RND
C118	0.1 μf		4-WASHER, 4, 120-.250-018
C121	0.1 μf		2-4-40 HEX NUT
			THERMAL COMPOUND
R100	100 ohm 1/4 W 5% CRBN	F1	FUSE, 1/4A, SLO-BLO
R101	470 " " " " " "	F2	FUSE, 1 AMP
R102	0.18 " 5W " " " "	F1, F2	FUSE CLIP W/STOP
R103	0.16 " 15W " " " "	J1	2 POS. KK-156
R104	68 " 1/2 W " CRBN	J1, J2	5 " " " "
R105	24 " 1/4 W " " " "	J1	13 " " " "
R106	270 " " " " " "	J2	6 " " " "
R113	1.2 K " " " " " "	JW1, JW2, JW3	JUMPER WIRE
R114	560 " " " " " "	TW1-TW4	TIE WRAP
R124	25 " 5W 10% " " " "	LB1	TAG, FUSE 1/4A. SLO-BLO
R125	68 " 1/2 W 5% CRBN	LB2	TAG, FUSE 1 AMP
R126	10 " 1/4 W 5% " " " "	LB3	TAG, PWR SPLY I.D.
R127	1 K " " " " " "		
R128	6.2 K " " " " " "		
R129	1 K " " " " " "		
R132	150 " 2W 10% " " " "		
R134	68 " 1/2 W 5% " " " "		
VR100, 101, 102	100 ohm POT		



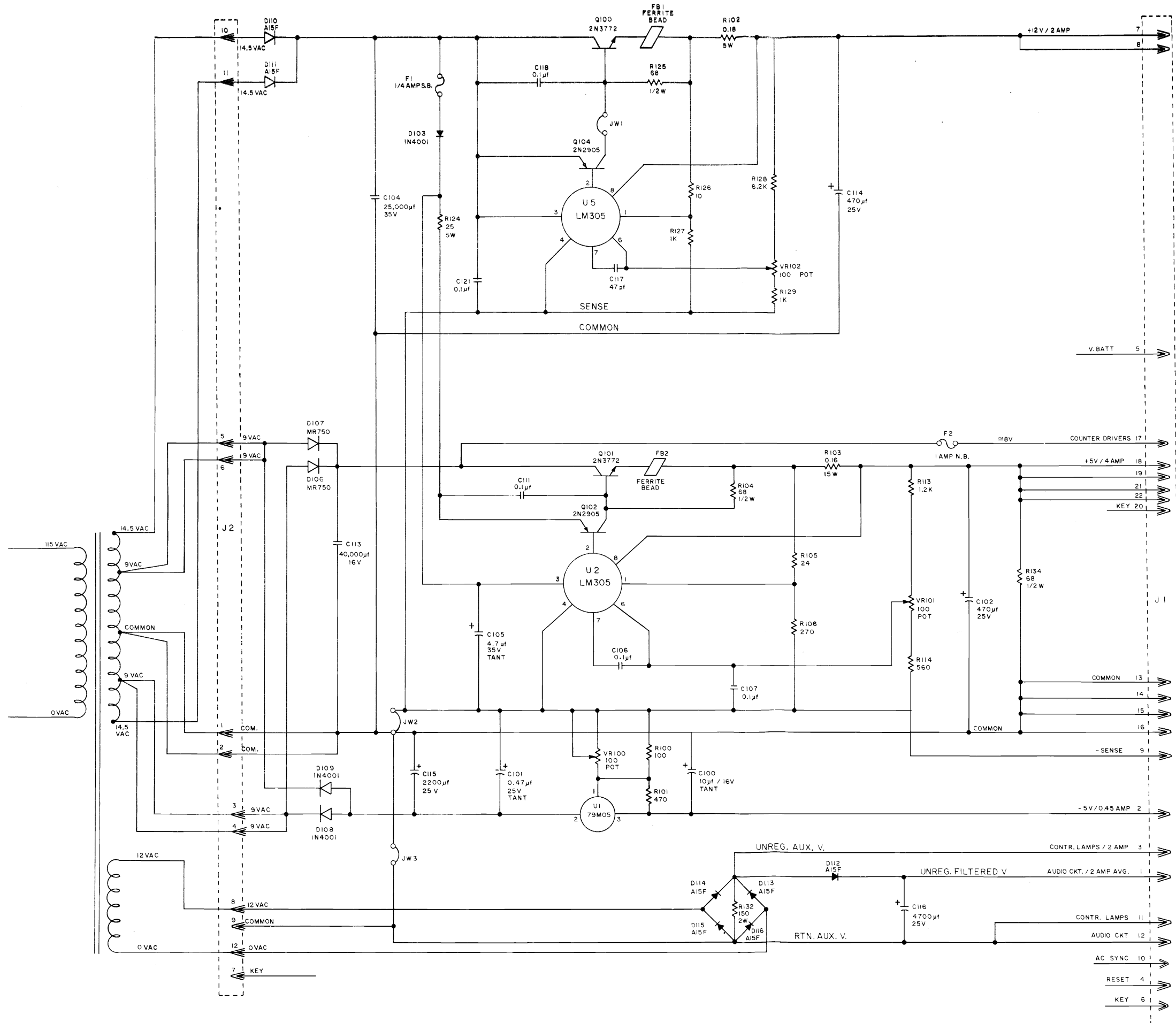
MIDWAY MFG. CO. 1982
ALL RIGHTS RESERVED

MEDIUM POWER SUPPLY 70VA

CROSS REFERENCE LIST

DESCRIPTION	QTY	DESIG. NOS.	PART NOS.	DESCRIPTION	QTY	DESIG. NOS.	PART NOS.
47 pf	1	C117	0945-00811-0100	2N2905	2	Q102, 104	0945-00808-0300
0.1 μf	5	C106, 107, 111, 118, 121	0945-00811-0200			U2, U5	0945-00813-0100
0.47 μf RD TANT 35V	1	C101	0945-00816-1100	LM305	2		
4.7 μf " " " "	1	C105	0945-00811-0400			FB1, FB2	0017-00009-0225
10 μf " " " "	1	C100	0945-00816-1000	FERRITE BEAD	2	FBMH1, FBMH2	0017-00033-0139
470 uf AX. ELEC.	2	C102, 114	0945-00816-0800				
2200 μf " " " 25 V	1	C115	0945-00816-1300	HEAT SINK ASSY	1	HSA1	A945-00008-0100
4700 uf " " " "	1	C116	0945-00811-0700				
25,000 μf " " " "	1	C104	0945-00816-1700				
40,000 μf " " " "	1	C113	0945-00816-1800				
0.16 ohm 15W 5%	1	R103	0945-00815-0100				
0.18 " 5W 5%	1	R102	0945-00815-0200	4-40 X10 SLT RND	2	HSA1	0017-00101-0727
10 " 1/4 W 5% CRBN	1	R126	0062-05183-1XXX	WSH, 4, 120-.250-018	4	HSA1	0017-00104-0071
24 " " " " "	1	R105	0062-06583-1XXX	4-40 HEX NUT	2	HSA1	0017-00103-0002
25 " 5W 10%	1	R124	0945-00815-1000				
68 " 1/2 W 5%	3	R104, 125, 134	0062-09803-1XXX	FUSE, 1/4 A SLO-BLO	1	F1	0017-00003-0446
100 " 1/4 W 5% CRBN	1	R100	0062-11083-1XXX	FUSE, 1 AMP	1	F2	0017-00003-0001
150 " 2W 10%	1	R132	0945-00812-0200	FUSE CLIP W/STOP	4	F1, F2	0017-00071-0033
270 " 1/4 W 5%	1	R106	0062-13883-1XXX				
470 " " " " "	1	R101	0062-15683-1XXX	2 POS. KK-156 CONN.	1	J1	3000-16387-0200
560 " " " " "	1	R114	0062-16283-1XXX	5 " " " "	2	J1, J2	3000-16387-0500
1 K " " " " "	2	R127, 129	0062-17983-1XXX	6 " " " "	1	J2	3000-16387-0600
1.2 K " " " " "	1	R113	0062-18383-1XXX	13 " " " "	1	J1	3000-16387-1300
6.2 K " " " " "	1	R128	0062-21783-1XXX				
100 ohm POT	3	VR100, 101, 102	0945-00814-0000	22 AWG 2 1/2 IN.	3	JW1, JW2, JW3	0151-00087-0000
A15F 50V 5A DIODE	7	D110-D116	0945-00804-0200	TIE WRAP 7 5/8 IN.	2	TW3, TW4	0945-00814-0300
IN 4001	3	D103, 108, 109	0945-00804-0300	TIE WRAP 10 3/4 IN.	2	TW1, TW2	0945-00814-0400
MR 750	2	D106, 107	0945-00804-0800	TAG, FUSE 1/4 A. SLO-BLO	1	LB1	M051-00945-A020
				TAG, FUSE 1 AMP	1	LB2	M051-00945-A021
				TAG, PWR SPLY I.D.	1	LB3	M051-00945-A022
				70 VA PWR SPLY PC.	1		A080-90421-C000
				HEAT SINK ASSY	1		0017-00033-0139

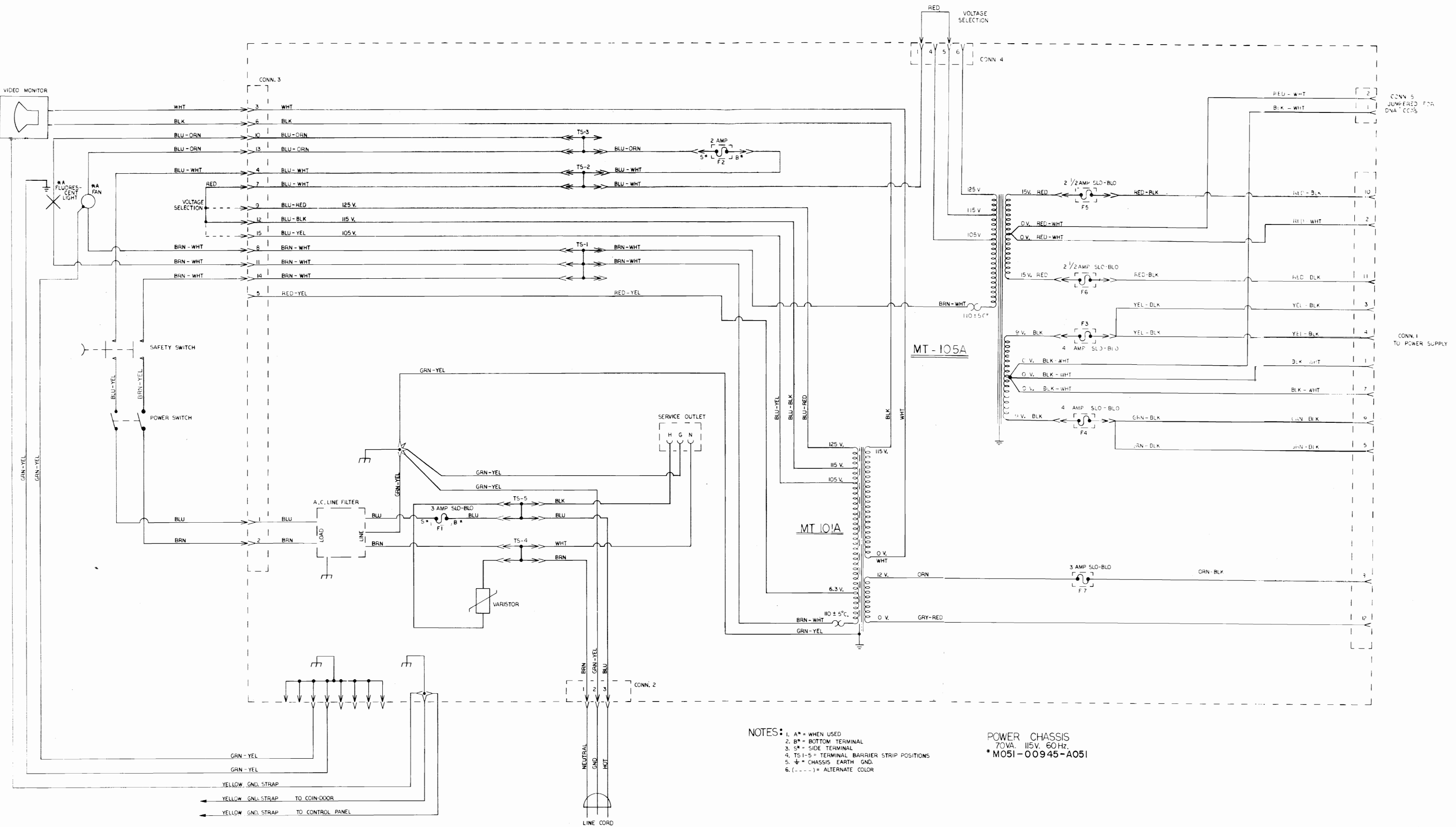
PROJECT ENG. J. JARON		USED ON BLUEPRINT		REVISIONS	
DO NOT SCALE DIMS.	HEAT TREAT	SCALE FULL	NO. REQD. PER	Bidy / MIDWAY MFG. CO. FRANKLIN, PA. U.S.A.	
DWG. TABLE DIMENSIONS UNLESS OTHERWISE SPECIFIED	DATE: 12/2/82	ASSY DRWG. MED PS. 70 VA (A082-90421-C000) A082-90427-A000		PART NO. M051-00945-A031	



REVISIONS	
NO.	DESCRIPTION

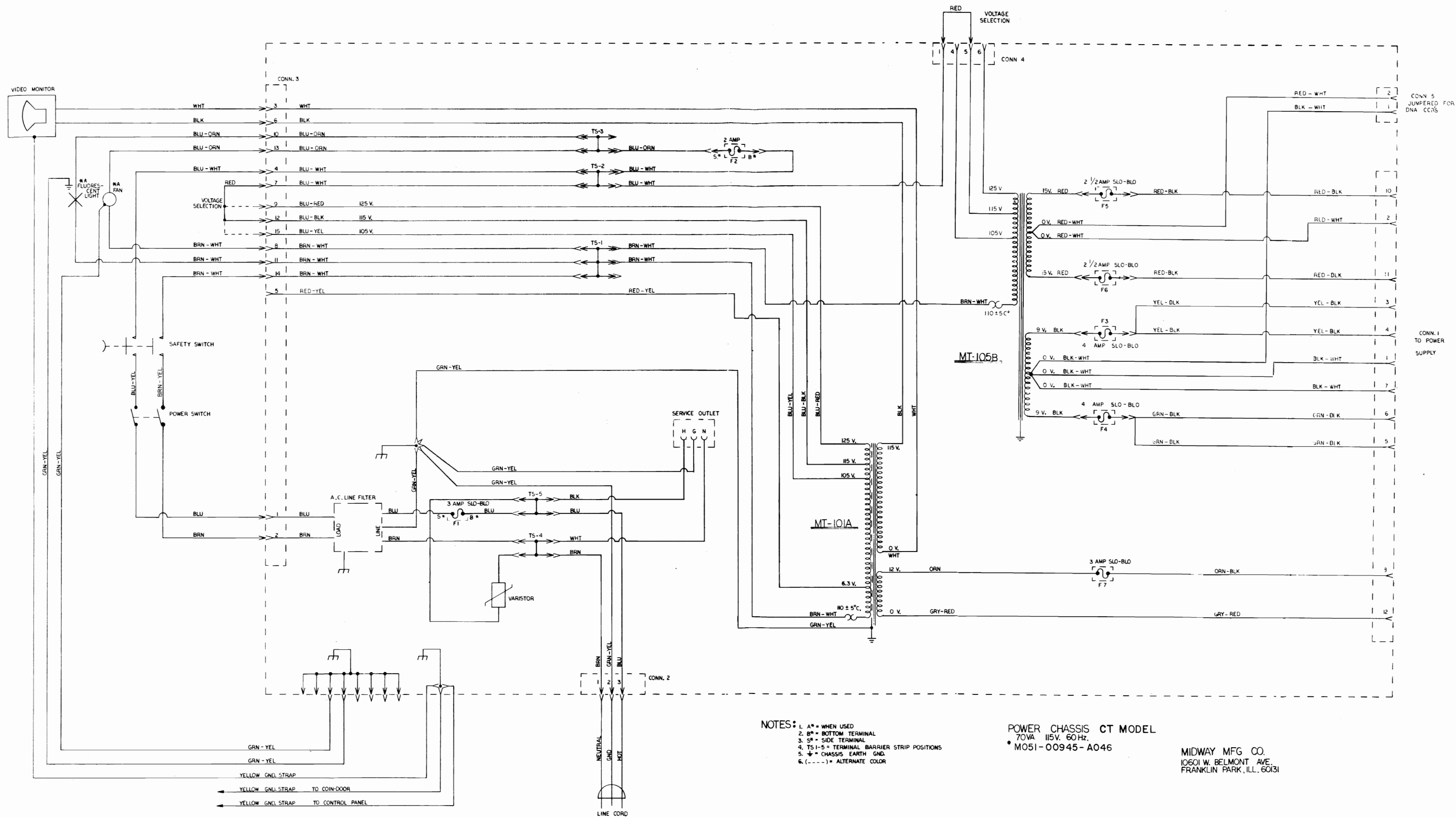
PROJECT ENG:	USED ON:	DATE:
DRAWN:	NO. REC'D:	DATE:
CHECKED:	DATE:	DATE:
DATE:	DATE:	DATE:

MIDWAY MFG. CO.
 PART NO. MO51-00945-A032
 MEDIUM PWR. SUPPLY 70 VA
 A082-90421-C000



- NOTES:
1. A* = WHEN USED
 2. B* = BOTTOM TERMINAL
 3. S* = SIDE TERMINAL
 4. TS-1-5 = TERMINAL BARRIER STRIP POSITIONS
 5. ⊕ = CHASSIS EARTH GND.
 6. (---) = ALTERNATE COLOR

POWER CHASSIS
 70VA. 115V. 60HZ.
 *M051-00945-A051



- NOTES:
1. A* = WHEN USED
 2. B* = BOTTOM TERMINAL
 3. S* = SIDE TERMINAL
 4. TS 1-5 = TERMINAL BARRIER STRIP POSITIONS
 5. + = CHASSIS EARTH GND.
 6. (----) = ALTERNATE COLOR

POWER CHASSIS CT MODEL
 70VA 115V. 60Hz.
 * M051-00945-A046

MIDWAY MFG CO.
 10601 W. BELMONT AVE.
 FRANKLIN PARK, ILL. 60131