

# JR. PAC-MAN

UNDER AGREEMENT BY NAMCO LTD.

## INSTRUCTION MANUAL

*Bally*

MIDWAY MFG. CO.

10601 W. Belmont Avenue  
Franklin Park, Illinois 60131  
U.S.A.



Phone: (312) 451-9200    Cable Address: MIDCO    Telex No.: 72-1596

**WARNING**

**THIS GAME MUST BE GROUNDED. FAILURE TO DO SO MAY RESULT IN DESTRUCTION TO ELECTRONIC COMPONENTS.**

**WARNING:** This equipment generates, uses, and can radiate radio frequency energy and if not used in accordance with the instructions manual, may cause interference to radio communications. It has been tested and found to comply with the limits for a CLASS A computing device pursuant to SUBPART J of PART 15 of FCC RULES, which are designed to provide reasonable protection against such interference when operated in a commercial environment. Operation of this equipment in a residential area is likely to cause interference in which case the user at his own expense will be required to take whatever measures may be required to correct the interference.

**ELECTRICAL BULLETIN:** FOR ALL APPARATUS COVERED BY THE CANADIAN STANDARDS ASSOCIATION (CSA) STANDARD C22.2 NO. 1, WHICH EMPLOYS A SUPPLY CORD TERMINATED WITH A POLARIZED 2-PRONG ATTACHMENT PLUG.

**CAUTION:** TO PREVENT ELECTRIC SHOCK DO NOT USE THIS (POLARIZED) PLUG WITH AN EXTENSION CORD, RECEPTACLE OR OTHER OUTLET UNLESS THE BLADES CAN BE FULLY INSERTED TO PREVENT BLADE EXPOSURE.

**ATTENTION:** POUR PREVENIR CHOCS ELECTRIQUES NE PAS UTILISER CETTE FICHE POLARISEE AVEC UN PROLONGATEUR. UNE PRISE DE COURANT OU UNE AUTRE SORTIE DE COURANT, SAUF SI LES LAMES PEUVENT ETRE INSEREES A FOND SANS EN LAISSER AUCUNE PARTIE A DECOUVERT.

**Bally MIDWAY**<sup>TM</sup>

*Invites You To Use*

**OUR TOLL FREE NUMBERS FOR SERVICE INFORMATION CONCERNING THIS GAME, OR ANY OTHER BALLY MIDWAY GAME YOU NOW HAVE ON LOCATION.**

**CALL US FOR PROMPT, COURTEOUS ANSWERS TO YOUR PROBLEMS.**

**VIDEO → Continental U.S. 1-800-323-7182**

**PINBALL → Continental U.S. 1-800-323-3555**

**Bally MIDWAY**<sup>TM</sup>

10601 West Belmont Avenue, Franklin Park, Illinois, 60131

phone (312)451-9200

© COPYRIGHT MCMLXXXIV BY BALLY MIDWAY MFG. CO.

ALL RIGHTS RESERVED

NO PART OF THIS PUBLICATION MAY BE REPRODUCED BY ANY MECHANICAL, PHOTOGRAPHIC, OR ELECTRONIC PROCESS, OR IN THE FORM OF A PHONOGRAPHIC RECORDING, NOR MAY IT BE TRANSMITTED, OR OTHERWISE COPIED FOR PUBLIC OR PRIVATE USE, WITHOUT PERMISSION FROM THE PUBLISHER. THIS MANUAL IS FOR SERVICE USE ONLY, AND NOT FOR GENERAL DISTRIBUTION. FOR PERMISSION REQUESTS, WRITE: BALLY MIDWAY MFG. CO., 10601 W. BELMONT AVE., FRANKLIN PARK, IL 60131

Printed in U.S.A.

# JR PAC MAN

## GAME OPERATION

JR. PAC-MAN is a one or a two player game with a color T.V. monitor. The game has four possible modes of operation: ATTRACT, READY-TO-PLAY, PLAY, and SELF-TEST.

### SELF-TEST MODE

The Self-Test mode is a special mode for checking the game switches and computer functions. It is the easiest and best way to check for proper operation of the entire game.

**NOTE:** Putting the game into Self-Test will cause it to *erase* any CREDITS it has on it from its memory.

You may begin a Self-Test at any time after the power to the game is on by sliding the Self-Test switch to the "ON" position. Now that the game is in the Self-Test mode, it will react as follows:

1. First, you will see several moving multicolored patterns appear on the screen.
2. Immediately following this, a right side up test display is shown on the monitor screen. The game will remain in this Self-Test mode until you set the Self-Test switch back to the "OFF" position.
3. To check your game function switches and buttons (coin counter switches, door opening button, 1 PLAYER and 2 PLAYER buttons): activate each one while the game is in the Self-Test mode. You should hear a different game sound for each activation. If you do not hear it, the switch/button is either not working, miswired, or disconnected. Check it out thoroughly.
4. When finished with the Self-Test mode, slide the Self-Test switch back to the "OFF" position.

5. Normal game functions will now return to the monitor screen.
6. If you wish to produce **ONLY** a CROSS HATCH test pattern on the monitor screen for further use, slide the Self-Test switch to the "ON" position, wait for the Self-Test display to appear, and then turn it "OFF" again. A cross hatch pattern appears immediately on the screen and will remain for about one second. To retain it, set the Self-Test switch back "ON" again quickly (BEFORE the cross hatch pattern disappears). It will now remain on the screen until you set the Self-Test switch to the "OFF" position again. At that time normal game functions will return.

### ATTRACT MODE

1. The Attract mode starts:
  - Just after power has been turned on to the game. (Self-Test switch is in the "OFF" position.)
  - After a Self-Test has been completed. (Performing a Self-Test sets the credits in the games memory to zero "0".)
  - After a play has been finished and there are no more credits left in the games memory.
  - No matter where the game is in the Attract mode sequence, it will immediately go to the Ready-To-Play mode display as soon as a game has been paid for.

## READY-TO-PLAY MODE

1. The Ready-To-Play mode starts when enough coins have been accepted for a 1 or a 2 player game.
2. The Ready-To-Play mode ends when either the "1 PLAYER" or the "2 PLAYER" push button is pressed.
3. If no START button is pressed, the displays will remain on the monitor screen indefinitely.

## PLAY MODE

1. The Play mode begins when either the "1 PLAYER" or the "2 PLAYER" start button is pressed.
2. The Play mode ends when all of your JR. PAC-MEN have been caught. When this happens, "GAME OVER" is written across the center of the monitor screen.

## TWO PLAYER OPERATION

In the two player mode, the rules of play are the same as in the single player mode. There are some additional rules, however.

1. The players must take turns at the controls.
2. Your turn lasts until the pursuers catch your JR. PAC-MAN. At this point, the game will do one of several things depending on whether or not the caught JR. PAC-MAN was your last or if you still have others remaining in reserve.

## JR. PAC-MAN CAUGHT - OTHERS REMAINING IN RESERVE

- The GAME stops.
- Next, the Rack changes to the Rack number the other player is in, and what's left of the other players Rack and his JR. PAC-MAN appear on the screen.
- Play then begins for the other player.

## JR. PAC-MAN CAUGHT - NO OTHERS REMAINING IN RESERVE

- Game displays "GAME OVER".
- The Rack changes to the Rack number the other player is in, what's left of the other players maze and his JR. PAC-MAN appear on the monitor screen, and game play then begins for the other player.
- After the last player has finished his game, the game will either go to the Attract mode (if there are no more credits left in its memory) or into the Ready-To-Play mode (if there are still credits left in its memory).

## RACK ADVANCE

Your NEW game is equipped with a RACK ADVANCE feature that can allow you to view and/or play the higher racks for test purposes. It is activated in the following manner:

1. Open the games coin door and rear access door.
2. Turn the power to the game on.
3. Gently pull out the plunger on the Safety Interlock Switch located just inside the rear access door.
4. Using the Test Credit Button, put a credit on the game.
5. Press the "1 PLAYER" start button.
6. **IMMEDIATELY** set switch number 7 of the DIP SWITCH PACK located at 9-D on the games P.C. Board to the "ON" position.
7. The game will now automatically advance through it's racks continuously.
8. When finished, set the above switch back to the "OFF" position, and close and lock all the games doors.
9. Normal game functions will now return.

## JR. PAC-MAN SCORING

| DESCRIPTION    | POINTS AWARDED   |
|----------------|------------------|
| SMALL DOTS     | 10 POINTS EACH   |
| LARGE DOTS     | 50 POINTS EACH   |
| ENERGIZER DOTS | 50 POINTS EACH   |
| TRICYCLE       | 100 POINTS EACH  |
| KITE           | 200 POINTS EACH  |
| DRUM           | 500 POINTS EACH  |
| BALLOON        | 700 POINTS EACH  |
| TRAIN          | 1000 POINTS EACH |
| CAT            | 2000 POINTS EACH |
| SODA MUG       | 5000 POINTS EACH |

### JR. PAC-MAN

### OPTION SWITCH SETTINGS

////////////////////////////////////METHOD OF PLAY////////////////////////////////////

|                | SW#1 | SW#2 | SW#3 | SW#4 | SW#5 | SW#6 | SW#7 | SW#8 |
|----------------|------|------|------|------|------|------|------|------|
| FREE PLAY      | ON   | ON   |      |      |      |      |      |      |
| *1 COIN 1 PLAY | OFF  | ON   |      |      |      |      |      |      |
| 1 COIN 2 PLAYS | ON   | OFF  |      |      |      |      |      |      |
| 2 COINS 1 PLAY | OFF  | OFF  |      |      |      |      |      |      |

////////////////////////////////////NUMBER OF JR. PAC-MEN PER GAME////////////////////////////////////

|                |     |     |
|----------------|-----|-----|
| 1 JR. PAC-MAN  | ON  | ON  |
| 2 JR. PAC-MEN  | OFF | ON  |
| *3 JR. PAC-MEN | ON  | OFF |
| 5 JR. PAC-MEN  | OFF | OFF |

////////////////////////////////////BONUS JR. PAC-MEN////////////////////////////////////

|                                     |     |     |
|-------------------------------------|-----|-----|
| *BONUS JR. PAC-MAN AT 10,000 POINTS | ON  | ON  |
| BONUS JR. PAC-MAN AT 15,000 POINTS  | OFF | ON  |
| BONUS JR. PAC-MAN AT 20,000 POINTS  | ON  | OFF |
| BONUS JR. PAC-MAN AT 30,000 POINTS  | OFF | OFF |

////////////////////////////////////SPECIAL FUNCTIONS////////////////////////////////////

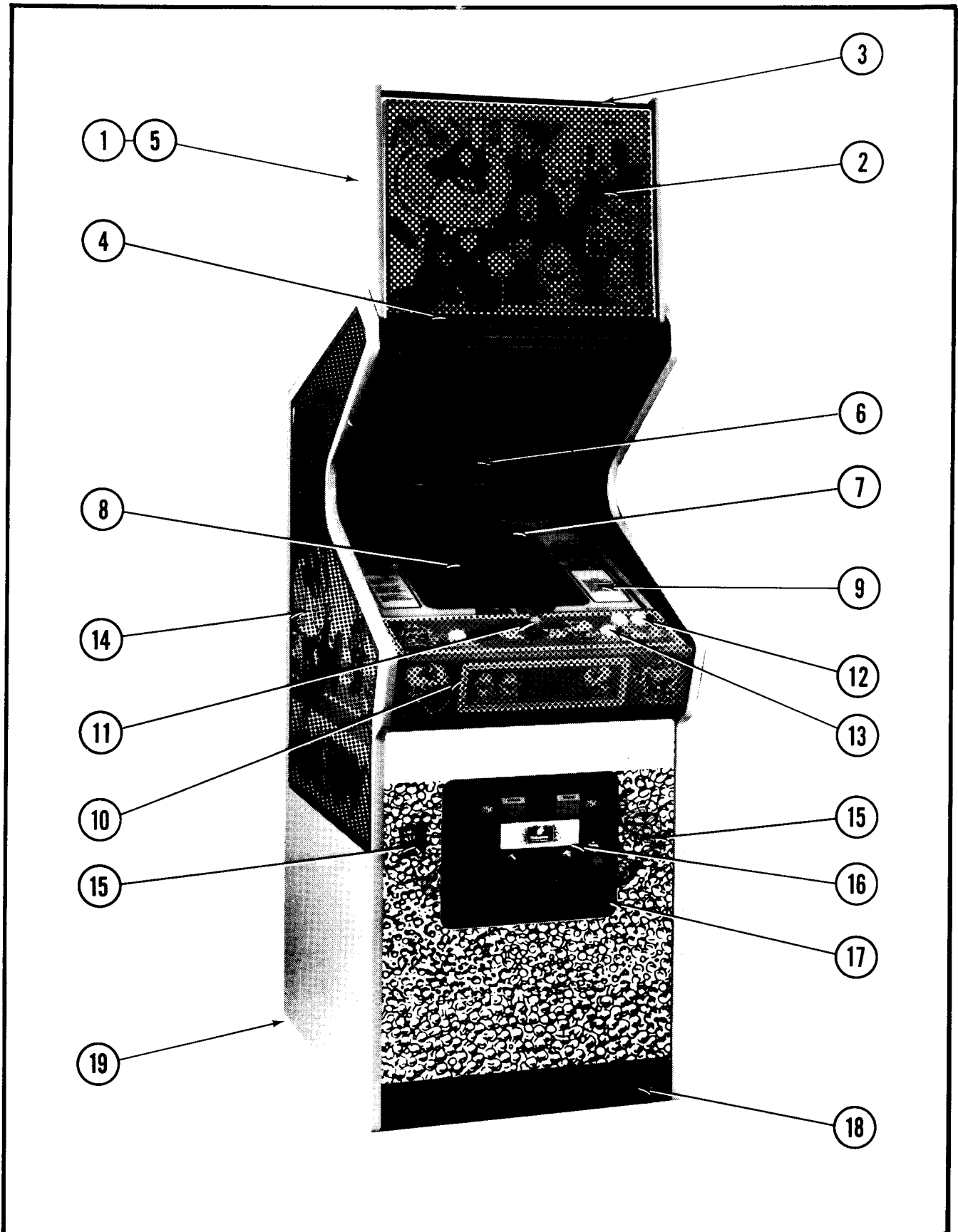
|   |     |     |
|---|-----|-----|
| AUTOMATIC RACK ADVANCE                              | ON  | OFF |
| FREEZE VIDEO (MONITOR PRESENTATION<br>STOPS MOVING) | OFF | ON  |
| *GAME OPERATES NORMALLY                             | OFF | OFF |

\*INDICATES FACTORY RECOMMENDED SETTINGS

PART NO. M051-00A29-A007

## **II. Illustrated Parts Breakdown**

NO. 0A29 - JR. PAC-MAN - UPRIGHT - FRONT



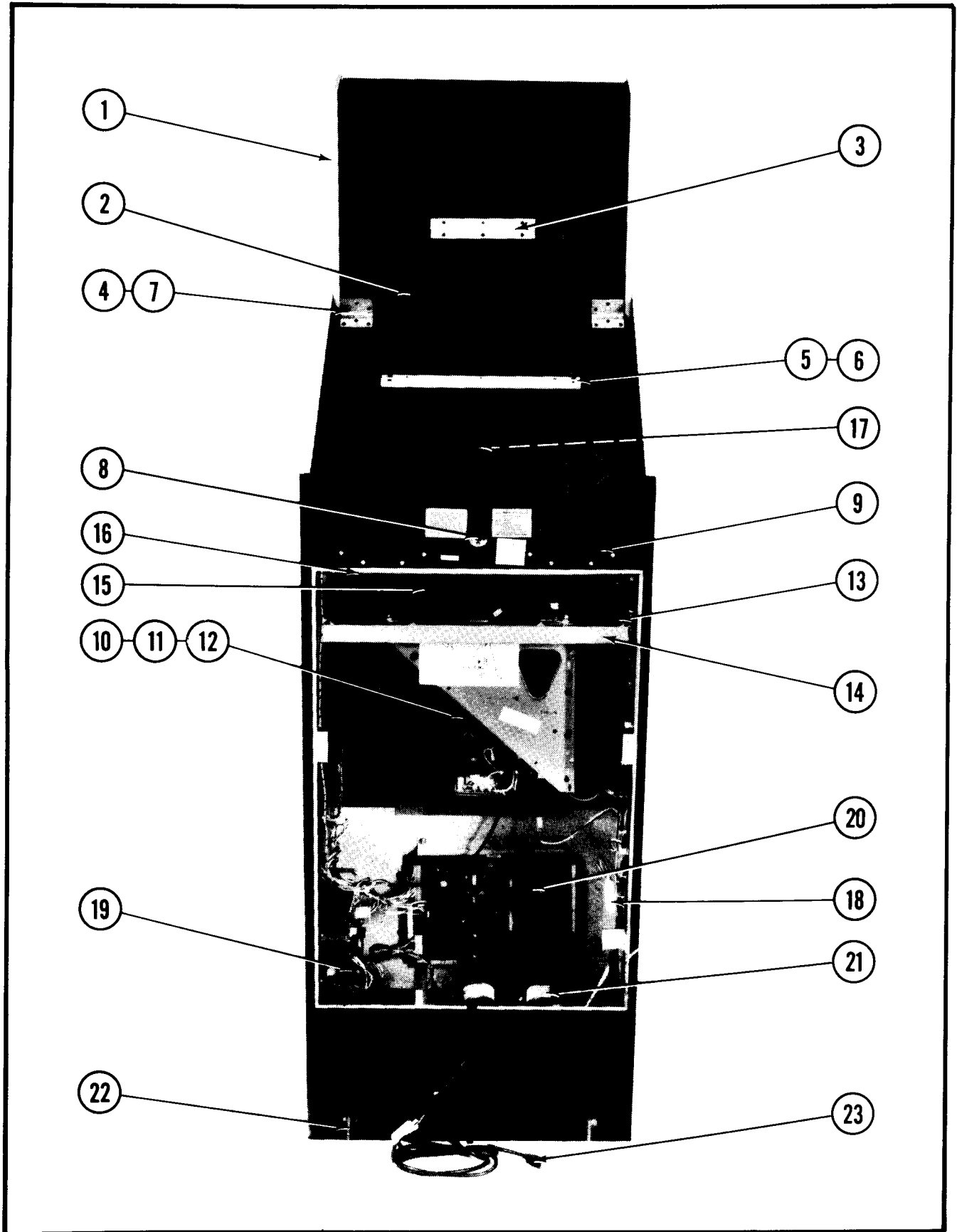
**NO. 0A29 - JR. PAC-MAN - UPRIGHT - FRONT - PARTS LIST**

*ORDER BY PART NUMBER ONLY*

| ITEM | PART NO.        | DESCRIPTION                                  |
|------|-----------------|--|
| 1    | A353-00011-0000 | HEADER ASSY.                                 |
| 2    | 0A29-00900-00XF | HEADER - 17-7/16"x21 7/8"                    |
| 3    | 0353-00103-00XF | HEADER RETAINER - UPPER                      |
| 4    | A353-00014-00XF | HEADER RETAINER ASSY. - LOWER                |
|      | 0017-00101-0138 | #8-5/8 TORX TAMPER RESISTANT SCR. (6 REQ'D.) |
| 5    | A353-00021-0000 | FLUOR. HEADER LIGHT ASSY. (2 REQ'D.)         |
| 6    | 0017-00009-0393 | BLACK SPEAKER GRILL W/SLOTS                  |
|      | 0017-00003-0259 | 6"x9" SPEAKER - 8 OHM, 8W.                   |
|      | 0017-00101-0127 | #8-32x1 1/2 CARRIAGE BOLT (4 REQ'D.)         |
|      | 0017-00103-0061 | #8-32 HEX NUT W/SEMS (4 REQ'D.)              |
| 7    | 0508-00900-0000 | T.V. BEZEL                                   |
| 8    | 0508-00905-0000 | PLEXI-DIFFUSER                               |
|      | 0508-00901-0000 | PLEXI-GLASS CLIPS (4 REQ'D.)                 |
|      | 0017-00101-0017 | #6x 1/2 BLK. SLT. HEX HD. SCREW (4 REQ'D.)   |
| 9    | 0A29-00900-00XF | MAIN VIEWING GLASS                           |
|      | 0508-00108-0000 | GLASS STOP BRKT.                             |
|      | 0017-00101-0017 | #8x 3/4 SLT. HEX HD. M.S. (3 REQ'D.)         |
| 10   | A353-00019-0000 | OVERLAY - CONTROL SHELF PLATE ASSY.          |
|      | A353-00018-0000 | CONTROL SHELF PLATE WELD ASSY.               |
|      | 0353-00903-0000 | DECORATIVE OVERLAY                           |
|      | 0353-00107-0100 | CONTROL SHELF MTG. BRKT. - RIGHT             |
|      | 0353-00107-0200 | CONTROL SHELF MTG. BRKT. - LEFT              |
|      | 0555-00901-0000 | PLASTIC LOCATING PIN (4 REQ'D.)              |
|      | 0017-00009-0534 | BASSICK CLAMP (3 REQ'D.)                     |
|      | 0017-00101-0141 | #8x11/16 UNSLOT. HEX HD. SCR. (10 REQ'D.)    |
|      | 0353-00906-0000 | CONTROL SHELF STRAP                          |
| 11   | A353-00015-0000 | CONTROL ASSEMBLY                             |
|      | A353-00006-0000 | CONTROL SHELF CABLE ASSY.                    |
| 12   | 0017-00042-0260 | PUSH BUTTON ASSY. - WHITE (2 REQ'D.)         |
| 13   | 0017-00042-0257 | PUSH BUTTON ASSY. - YELLOW (2 REQ'D.)        |
|      | 0017-00032-0093 | PUSH BUTTON SWITCH W/HOLDER (4 REQ'D.)       |
|      | 0017-00103-0054 | 5/8-11 PAL NUT (4 REQ'D.)                    |
| 14   | 0A29-00902-0200 | DECAL-LEFT SIDE                              |
|      | 0A29-00902-0100 | DECAL - RIGHT SIDE (NOT SEEN)                |
| 15   | 0A29-00906-0000 | FRONT DECAL - KIT                            |
| 16   | A090-00300-11BK | U.S.A. 25¢ DOUBLE COIN DOOR ASSY.            |
|      | A982-00015-0000 | COIN DOOR CABLE ASSY.                        |
| 17   | 0090-00002-04BK | LARGE COIN DOOR FRAME                        |
|      | 0017-00101-0121 | #6-32x5/16 PHIL. TRS. HD. SCR. (3 REQ'D.)    |
| 18   | 0935-00906-0100 | KICK PLATE - 23" LG.                         |
| 19   | 0017-00102-0048 | 3/8-16x2" LEG LEVELERS (4 REQ'D.)            |
|      | 0017-00103-0026 | 3/8-16 LEG LEVELER HEX NUTS (4 REQ'D.)       |



NO. 0A29 - JR. PAC-MAN - UPRIGHT - REAR



**NO. 0A29 - JR. PAC-MAN - UPRIGHT - REAR - PARTS LIST**

ORDER BY PART NUMBER ONLY

| ITEM | PART NO.        | DESCRIPTION  |
|------|-----------------|--|
| 1    | A353-00011-0000 | HEADER ASSY.   |
| 2    | 0353-00110-0000 | HEADER SUPPORT BRACE   |
| 3    | 0353-00102-0000 | SUPPORT ARM BRACKET  |
| 4    | 0017-00009-0545 | SUPPORT HINGE (2 REQ'D.)   |
| 5    | 0353-00109-0000 | POSITIONING BRKT.  |
| 6    | 0017-00101-0138 | #8x $\frac{5}{8}$ TORX TAMPER RESISTANT SCR. (22 REQ'D.)         |
| 7    | 0017-00101-0149 | #10x $\frac{1}{8}$ TORX TAMPER RESISTANT SCR. (2 REQ'D.)         |
|      | 0017-00104-0011 | #10 EXT. STAR WASHER (2 REQ'D.)                                  |
|      | 0017-00104-0039 | #10 FLAT WASHER (2 REQ'D.)                                       |
| 8    | A945-00038-0000 | ON-OFF SWITCH & PLATE ASSY.                                      |
| 9    | 0894-00916-0000 | PLASTIC PULL & VENT (2 REQ'D.)                                   |
|      | 0017-00101-0141 | #8x $\frac{11}{16}$ UNSLOT. HEX HD. M.S. (8 REQ'D.)              |
| 10   | 0017-00003-0339 | ELECTROHOME - 19" COLOR DUAL SYNC. HORIZ.<br>MTG. MONITOR (OR)   |
| 11   | 0017-00003-0439 | WELLS-GARDNER - 19" COLOR DUAL SYNC. HORIZ.<br>MTG. MONITOR (OR) |
| 12   | 0017-00003-0454 | ZENITH - 19" COLOR DUAL SYNC. HORIZ. MTG. MONITOR                |
| 13   | 0349-00101-0000 | MONITOR RAIL (2 REQ'D.)  |
|      | 0555-00901-0000 | PLASTIC LOCATING PIN (4 REQ'D.)                                  |
|      | 0017-00101-0141 | #8x $\frac{11}{16}$ UNSLOT HEX HD. M.S. (8 REQ'D.)               |
| 14   | 0349-00100-0000 | MONITOR MTG. ANGLE BRKT. (2 REQ'D.)                              |
|      | 0017-00101-0144 | #10-24x $\frac{5}{8}$ SLT. HEX W/WASHER SCR. (4 REQ'D.)          |
|      | 0017-00101-0082 | #10x $\frac{3}{4}$ UNSLOT HEX HD. BOLT (4 REQ'D.)                |
|      | 0017-00104-0011 | #10 EXT. WASHER (4 REQ'D.)                                       |
| 15   | 0508-00900-0000 | 19" T.V. BEZEL   |
|      | 0508-00106-0000 | BEZEL MTG. BRKT.   |
| 16   | 0508-00108-0000 | GLASS STOP BRKT.   |
|      | 0017-00101-0027 | #8x $\frac{3}{4}$ SLT. HEX HD. M.S. (3 REQ'D.)                   |
| 17   | 0017-00003-0259 | 6"x9" SPEAKER - 8 OHM, 8W.                                       |
| 18   | A088-00016-0000 | INTELOCK SWITCH & SPRING BRKT. ASSY.                             |
| 19   | AA29-00006-0000 | CARD RACK ASSY. W/BOARDS   |
| 20   | A082-90427-A000 | POWER SUPPLY P.C.B. ASSY. - 70VA.                                |
|      | 0624-00902-0100 | P.C. SUPPORT BRKT. - 12" LG. (2 REQ'D.)                          |
|      | 0624-00902-0500 | P.C. SUPPORT BRKT. - 6 $\frac{1}{2}$ " LG. (2 REQ'D.)            |
|      | 0317-00102-0000 | P.C. MTG. BRACE BRKT. (4 REQ'D.)                                 |
|      | 0017-00101-0141 | #8x $\frac{11}{16}$ UNSLOT HEX HD. M.S. (10 REQ'D.)              |
|      | 0017-00104-0037 | #8 FLAT WASHER (10 REQ'D.)                                       |
| 21   | A945-00036-0002 | POWER CHASSIS ASSY. - 70VA., 115V.                               |
| 22   | A961-00007-0000 | CASTER ASSEMBLY (2 REQ'D.)                                       |
|      | 0961-00109-0000 | WHEEL BRKT. (2 REQ'D.)   |
|      | 0017-00042-0255 | PLASTIC WHEEL (2 REQ'D.)   |
|      | 0894-00702-00XF | SHAFT (2 REQ'D.)   |
|      | 0017-00100-0037 | $\frac{3}{8}$ " E-RING (2 REQ'D.)                                |
| 23   | A945-00019-0000 | LINE CORD ASSY.  |

**NO. 0A29 - JR. PAC-MAN - UPRIGHT - REAR - PARTS LIST**

*ORDER BY PART NUMBER ONLY*

| ITEM | PART NO.        | DESCRIPTION                   |
|------|-----------------|-------------------------------|
|      |                 | <b>ADDITIONAL PARTS LIST</b>  |
|      | A950-00004-0000 | COIN BOX ASSEMBLY             |
|      | A950-00006-0100 | WIRE COIN BOX CRADLE ASSY.    |
|      | 0950-00105-0000 | COIN BOX COVER                |
|      | 0950-00104-0000 | COIN BOX HANDLE               |
|      | 0950-00101-0000 | COIN DEFLECTOR (2 REQ'D.)     |
|      | 0950-00900-0000 | LARGE PLASTIC COIN BOX        |
|      | A097-00009-0000 | BACK DOOR LOCK ASSY.          |
|      | 0017-00009-0490 | 5% SQR. VENT GRILL (4 REQ'D.) |
|      | A353-00008-0000 | MASTER CABLE W/BRKT. ASSY.    |
|      | A353-00010-0000 | HIGH VOLTAGE CABLE ASSY.      |
|      | A316-00010-0000 | LOW VOLTAGE CABLE ASSY.       |
|      | A508-00034-0000 | AUDIO ADAPTOR CABLE ASSY.     |
|      | A508-00035-0000 | VIDEO ADAPTOR CABLE ASSY.     |
|      | A508-00024-0000 | SIGNAL CABLE ASSY.            |

**PAC-MAN/MS. PAC-MAN TO JR. PAC-MAN - PARTS LIST**

*ORDER BY PART NUMBER ONLY*

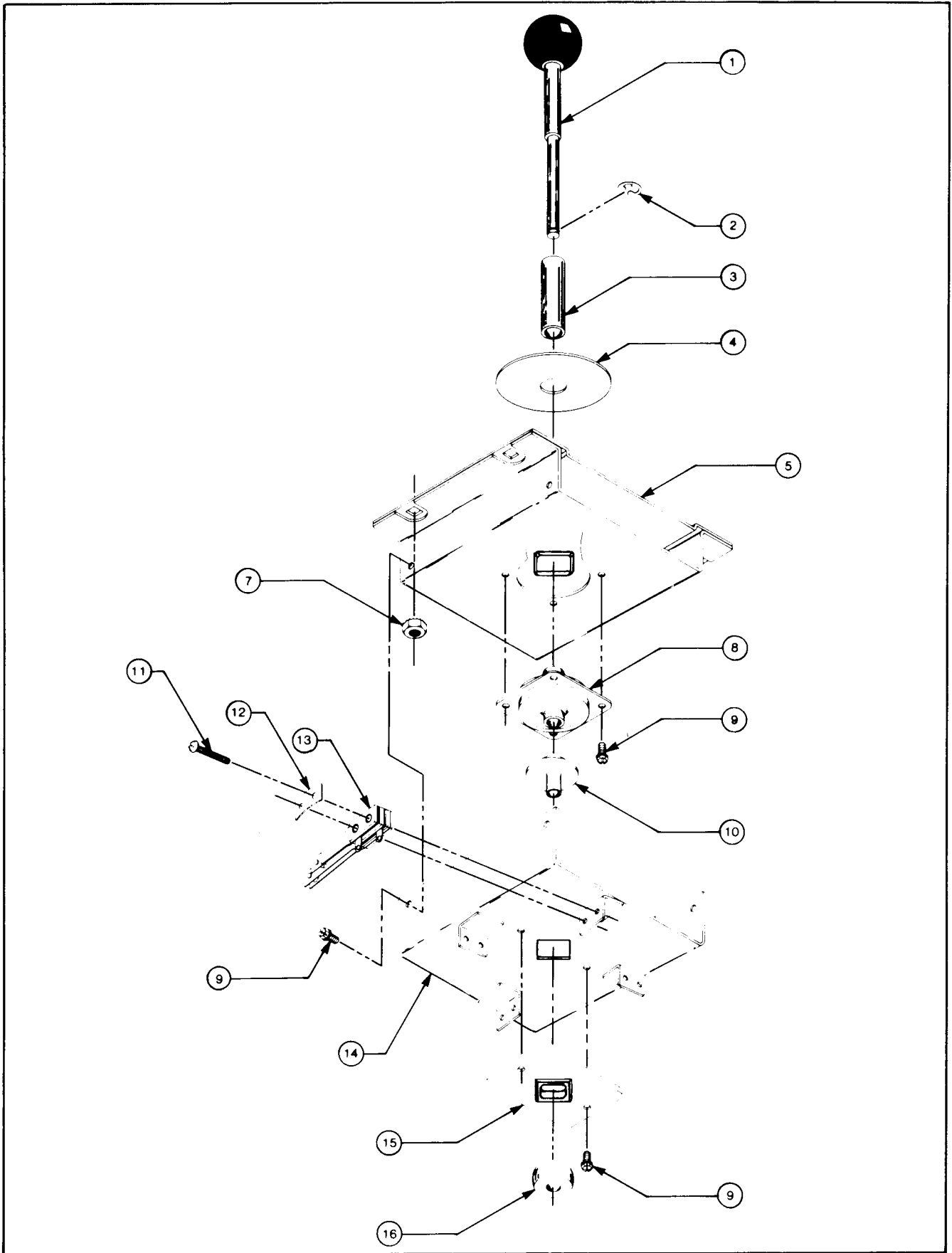
| ITEM | PART NO.        | DESCRIPTION                 |
|------|-----------------|-----------------------------|
|      | 0A29-00901-00XF | HEADER                      |
|      | 0A29-00908-00XF | HEADER - KIT                |
|      | 0A29-00906-0000 | FRONT DECAL - KIT           |
|      | 0A29-00907-0000 | CONTROL SHELF OVERLAY - KIT |

**NO. 0A29 - JR. PAC-MAN - CONTROL ASSY. - PARTS LIST**

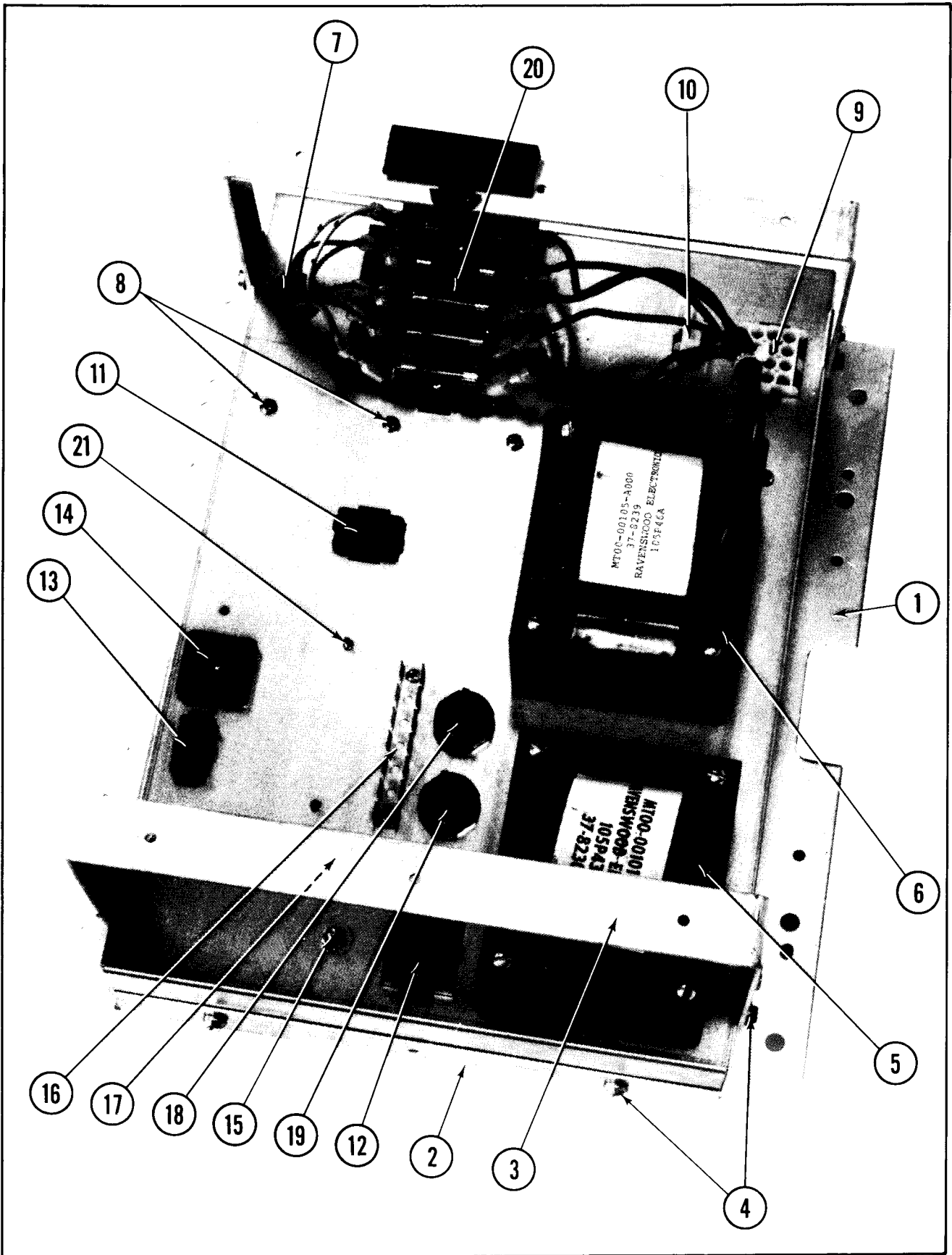
*ORDER BY PART NUMBER ONLY*

| ITEM | PART NO.        | DESCRIPTION                                |
|------|-----------------|--|
| 1    | A932-00022-0000 | BALL & SHAFT ASSEMBLY                      |
| 2    | 0017-00100-0025 | 1/4 E-RING                                 |
| 3    | 0921-00702-0000 | STOP SPACER                                |
| 4    | 0921-00902-0000 | SLIDE PLATE                                |
| 5    | A982-00019-0000 | PIVOT PLATE WELD ASSY.                     |
| 7    | 0017-00103-0061 | #8-32 HEX NUT W/SEMS (4 REQ'D.)            |
| 8    | 0932-00902-0000 | GROMMET                                    |
| 9    | 0017-00101-0598 | #8-32 x 5/16 SLT. HEX HD. M.S. (10 REQ'D.) |
| 10   | 0962-00904-0000 | SLEEVE                                     |
| 11   | 0017-00101-0527 | #5-40 x 5/8 SLT. RND. HD. SCR. (8 REQ'D.)  |
| 12   | 0020-00202-0000 | SWITCH PLATE (4 REQ'D.)                    |
| 13   | A932-00009-0000 | SWITCH ASSEMBLY (4 REQ'D.)                 |
| 14   | A316-00019-0000 | STOP PLATE & SWITCH BRKT. ASSY.            |
| 15   | 0932-00905-0000 | WEAR PLATE                                 |
| 16   | 0921-00700-0000 | ACTUATOR                                   |

NO. 0A29 - JR. PAC-MAN - CONTROL ASSY.



NO. 0A29 - JR. PAC-MAN - POWER CHASSIS ASSY. - 70VA, 115V.

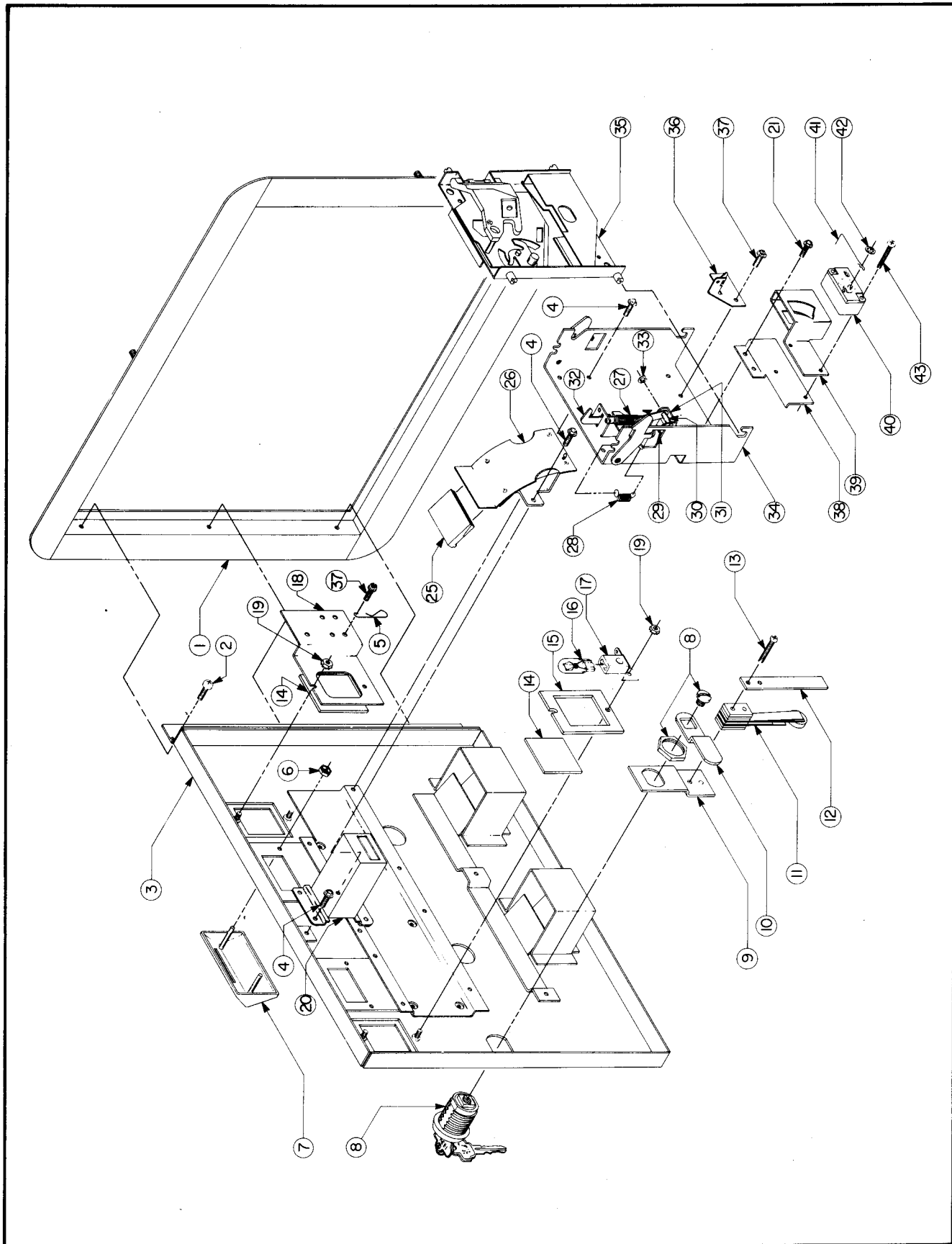


**NO. 0A29 - JR. PAC-MAN - POWER CHASSIS ASSY. - 70VA, 115V. - PARTS LIST**

ORDER BY PART NUMBER **ONLY**

| ITEM | PART NO.         | DESCRIPTION  |
|------|------------------|--|
| 1    | A945-00045-00XF  | CHASSIS & PARTITION ASSY.  |
| 2    | A945-00029-0100  | MTG. PLATE & BARRIER ASSY.   |
| 3    | 0945-00107-01XF  | STRAP (2 REQ'D.)   |
| 4    | 0017-00101-0123  | #8 x 1/4 UNSLOT. HD. SCR. (12 REQ'D.)  |
| 5    | MT00-00101-B000  | ISOLATION TRANSFORMER W/O SHIELD ASSY. —<br>115 V., 50/60 HZ. (UPRIGHT ONLY) |
| 5    | MT00-00102-B000  | ISOLATION TRANSFORMER W/SHIELD ASSY. —<br>115V., 50/60 HZ. (COCKTAIL ONLY)   |
| 6    | 0017-00103-0061  | #8-32 HEX NUT W/SEMS (4 REQ'D.)  |
| 6    | MT00-00105-A000  | POWER TRANSFORMER W/O SHIELD — 70VA, 115V.<br>(UPRIGHT ONLY)                 |
| 6    | MT000-00105-B000 | POWER TRANSFORMER W/SHIELD — 70VA, 115V.<br>(COCKTAIL ONLY)                  |
| 7    | 0017-00103-0061  | #8-32 HEX NUT W/SEMS (4 REQ'D.)  |
| 7    | 0945-00902-0000  | SNAP BRUSHING (3 REQ'D.)   |
| 8    | 0017-00101-0067  | #6 x 3/8 PHIL. PAN HD. SCR. (11 REQ'D.)                                      |
| 9    | A945-00030-0400  | CONNECTOR & CABLE ASSY.  |
| 10   | 0017-00021-0297  | 2 POSITION CONNECTOR   |
| 11   | A945-00030-0300  | CONNECTOR & CABLE ASSY.  |
| 12   | A945-00030-0500  | CONNECTOR & CABLE ASSY.  |
| 13   | A945-00030-0200  | CONNECTOR & CABLE ASSY.  |
| 14   | A945-00021-0000  | CONVENIENCE OUTLET ASSY.   |
| 15   | 0017-00101-0573  | #6-32 x 1/2 PHIL. RND HD. SCR. (2 REQ'D.)                                    |
| 15   | 0017-00103-0084  | #6-32 HEX NUT W/SEMS (2 REQ'D.)  |
| 15   | A945-00025-0000  | FILTER ASSY. — 125V. — UNDER CHASSIS (NOT SEEN)                              |
| 16   | 0017-00021-0510  | TERMINAL STRIP   |
| 16   | 0017-00101-0140  | #4-40 x 5/16 PHIL. PAN HD. SCR. (2 REQ'D.)                                   |
| 17   | 0017-00101-0660  | #10-32 x 3/4 SLT. PAN HD. SCREW (NOT SEEN)                                   |
| 17   | 0017-00104-0107  | #10 FLAT WASHER  |
| 17   | 0017-00103-0081  | #10-32 HEX NUT W/SEMS  |
| 18   | 0017-00003-0263  | SLO-BLO FUSE — 4A., 250V.  |
| 19   | 0017-00003-0005  | FUSE — 2A., 250V.  |
| 19   | 0017-00003-0444  | FUSE HOLDER — QUICK CONN. (2 REQ'D.) — FOR<br>ABOVE FUSES                    |
| 20   | 0945-00904-0000  | 5 POSITION FUSE HOLDER   |
| 20   | 0945-00908-0000  | FUSE BLOCK INSULATOR   |
| 20   | 0017-00003-0217  | SLO-BLO FUSE — 2.5A., 250V. (2 REQ'D.)                                       |
| 20   | 0017-00003-0321  | SLO-BLO FUSE — 5A., 250V. (2 REQ'D.)   |
| 20   | 0017-00003-0263  | SLO-BLO FUSE — 4A., 250V.  |
| 20   | 0945-00903-0000  | FUSE HOLDER BARRIER  |
| 21   | 0017-00101-0067  | #6 x 3/8 PHIL. PAN HD. SCREW (2 REQ'D.)                                      |
| 21   | 0017-00101-0780  | #6 x 1/2 PHIL. PAN HD. SCREW (2 REQ'D.)                                      |
| 21   | 0017-00021-0629  | 5 POSITION TERMINAL STRIP (UNDER CHASSIS)                                    |
| 21   | A945-00019-0000  | LINE CORD ASSY. — 115V. (NOT SHOWN)  |
| 21   | A945-00033-0000  | MAGNETIC SHIELD & LABEL ASSY. (NOT SHOWN)                                    |

FRONT DOOR ASSEMBLY — U.S.A. 25¢



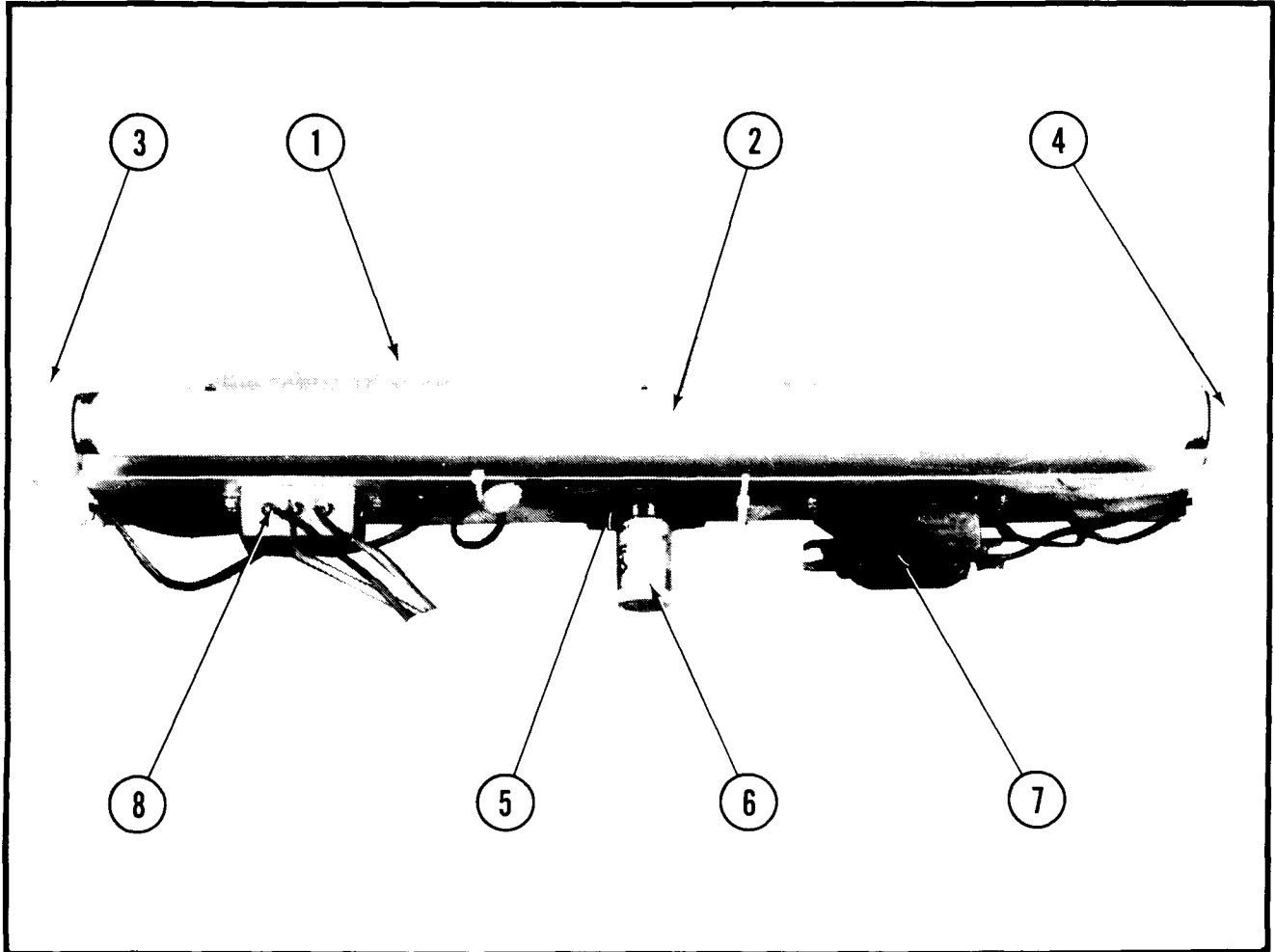
**FRONT DOOR ASSEMBLY — U.S.A. 25¢ — PARTS LIST**

*ORDER BY PART NUMBER ONLY*

| ITEM | PART NO.        | DESCRIPTION   |
|------|-----------------|---|
| 1    | 0090-00002-04BK | DOUBLE ENTRY COIN DOOR FRAME                          |
| 2    | 0017-00101-0121 | #6-32 x 5/16 PHIL. TRS. HD. SCR. (3 REQ'D.)           |
| 3    | A090-00073-02BK | DOUBLE ENTRY COIN DOOR W/DRESS PLATE                  |
| 4    | 0017-00101-0123 | #8 x 1/4 UNSLOT. HEX HD. SCREW (12 REQ'D.)            |
| 5    | 0017-00007-0019 | KEY HOOK  |
| 6    | 0017-00103-0059 | PUSH NUT (4 REQ'D.)                                   |
| 7    | 0090-00912-0000 | COIN ENTRY PLATE — 25¢ (2 REQ'D.)                     |
| 8    | A097-00005-0000 | DOOR LOCK & KEY W/SCREW & NUT (OR)                    |
| 8    | A097-00006-0000 | DOOR LOCK & KEY W/SCREW, & NUT                        |
| 9    | 0090-00128-00XF | DOOR TILT SWITCH BRKT.                                |
| 10   | 0017-00005-0225 | DOOR CAM  |
| 11   | A090-00095-0000 | DOOR TILT SWITCH                                      |
| 12   | 0090-00126-03XF | SWITCH BACK-UP PLATE                                  |
| 13   | 0017-00101-0525 | #5-40 x 9/16" PHIL. HD. M.S. (2 REQ'D.)               |
|      | A090-00096-0000 | DOOR TILT SWITCH & BRKT. ASSY. (ITEMS 9 & 11 THRU 13) |
| 14   | 0090-00903-9500 | 25¢ WINDOW (2 REQ'D.)                                 |
| 15   | 0090-00143-00XF | COIN PLEX RETAINER                                    |
| 16   | 0017-00003-0219 | 12 VOLT LAMP — G.E. #194 (2 REQ'D.)                   |
| 17   | 0017-00031-0048 | WEDGE SOCKET W/BRKT. (2 REQ'D.)                       |
| 18   | A090-00100-0000 | BRKT. ASSY.   |
| 19   | 0017-00103-0084 | #6-32 HEX NUT W/SEMS (4 REQ'D.)                       |
| 20   | A090-00089-0000 | COIN METER W/DIODE                                    |
| 21   | 0017-00101-0124 | #6 x 1/4 UNSLOT. HEX HD. SCR. (4 REQ'D.)              |
| 25   | 0090-00911-0000 | INSULATOR (2 REQ'D.)                                  |
| 26   | A090-00112-0000 | COIN CHUTE & TOP ASSY. (2 REQ'D.)                     |
| 27   | 0010-00134-0000 | SPRING  |
| 28   | 0010-00181-0000 | SPRING  |
| 29   | 0017-00007-0083 | 1/8 x 1-5/8 ROLL PIN                                  |
| 30   | 0090-00129-00XF | PIVOT POST  |
| 31   | 0090-00167-00XF | PIVOT LEVER   |
| 32   | 0090-00182-00XF | REJECT LEVER  |
| 33   | 0017-00100-0018 | E-RING  |
|      | A090-00088-0000 | REJECT LEVER ASSY. (2 REQ'D.) (ITEMS 30 THRU 33)      |
| 34   | A090-00105-0000 | COIN ACCEPTOR FRAME ASSY. (2 REQ'D.)                  |
| 35   | 0017-00005-0003 | COIN ACCEPTOR W/STRING CUTTER (2 REQ'D.) (OR)         |
| 35   | 0017-00005-0211 | COIN ACCEPTOR W/ANTI STRING DEVICE (2 REQ'D.) (OR)    |
| 35   | 0017-00005-0214 | COIN ACCEPTOR W/STRING CUTTER (2 REQ'D.)              |
| 36   | A090-00064-0000 | ANTI-PENNY DEVICE                                     |
| 37   | 0017-00101-0099 | #6 x 1/4 SLT. HEX HD. M.S. (2 REQ'D.)                 |
| 38   | 0090-00162-00XF | COIN SWITCH MTG. BRKT.                                |
| 39   | 0017-00005-0203 | COIN SWITCH CHUTE                                     |
| 40   | 0017-00005-0195 | COIN SWITCH   |
| 41   | 0010-00599-0000 | COIN SWITCH WIRE                                      |
| 42   | 0017-00007-0015 | PUSH-ON RING  |
|      | A090-00059-0400 | COIN SWITCH & WIRE ASSY. (ITEMS 40 THRU 42)           |
| 43   | 0017-00101-0147 | #4-40 x 3/4 PHIL. PAN. HD. M.S. (2 REQ'D.)            |
|      | A090-00077-0000 | COIN GUIDE & SWITCH ASSY. (ITEMS 38 THRU 43)          |



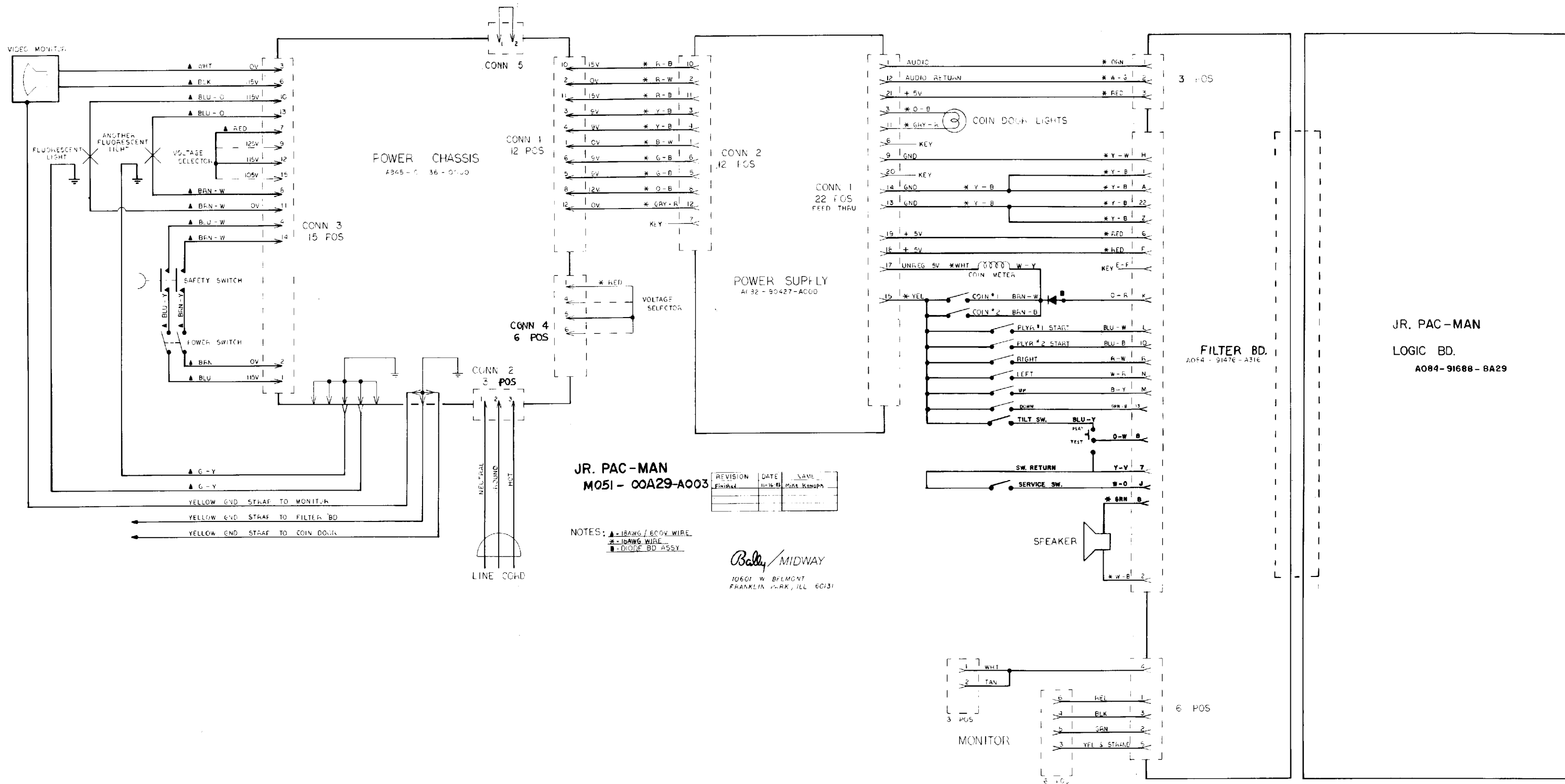
**NO. 0A29 - JR. PAC-MAN - HEADER FLUORSECENT LIGHT ASSY.**

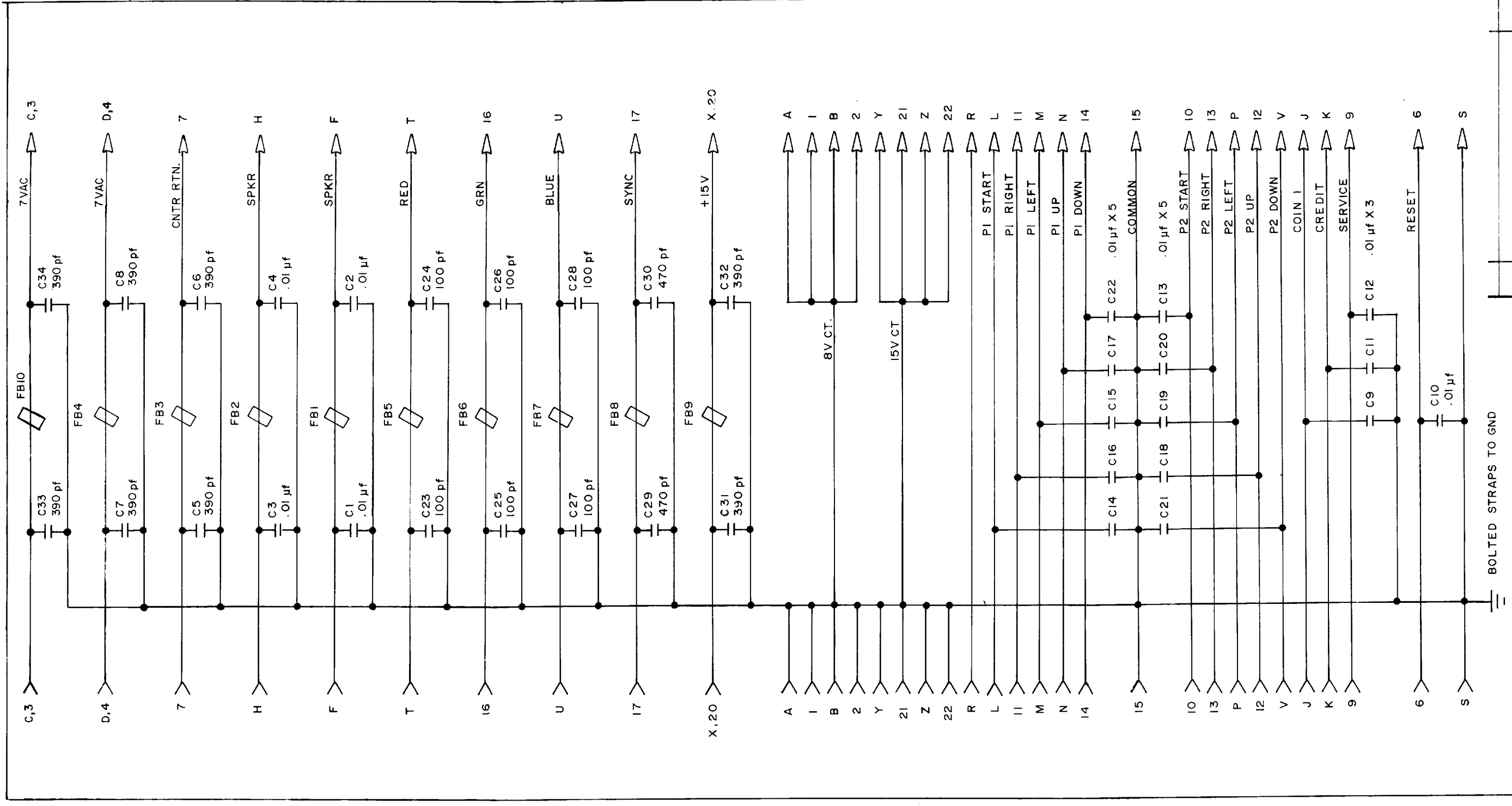


**NO. 0A29 - JR. PAC-MAN - HEADER FLUORSECENT LIGHT ASSY. - PARTS LIST**

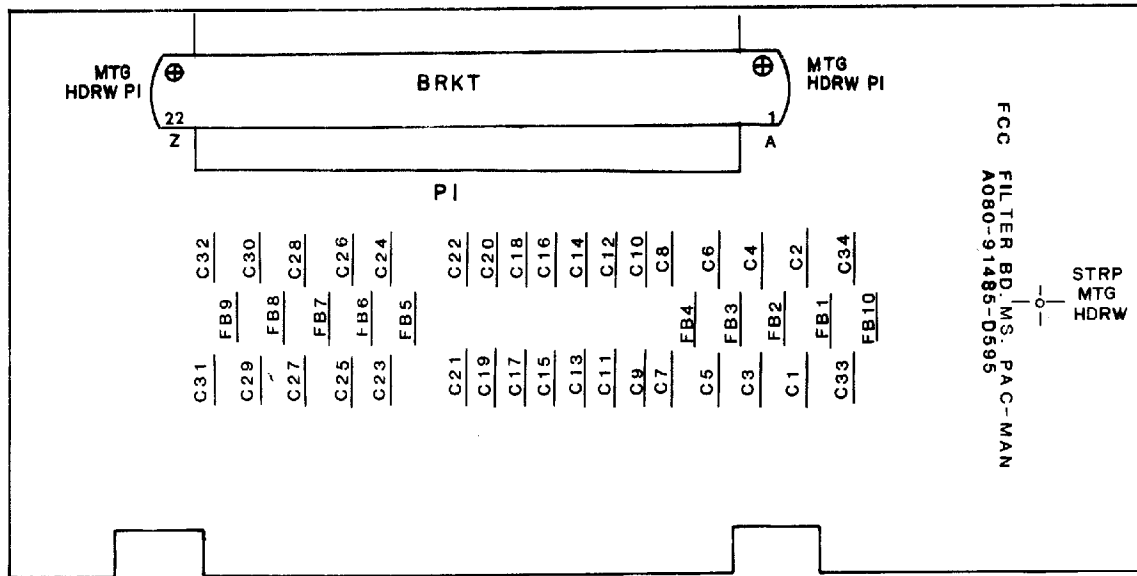
*ORDER BY PART NUMBER ONLY*

| ITEM | PART NO.        | DESCRIPTION                                |
|------|-----------------|--|
| 1    | 0353-00113-0000 | FLUORESCENT BRKT.                          |
| 2    | 0017-00003-0043 | 18" COOL WHITE FLUORESCENT LAMP            |
| 3    | 0017-00003-0445 | LAMP LOCKS (2 REQ'D.)                      |
| 4    | 0017-00031-0036 | FLUORESCENT SOCKET (2 REQ'D.)              |
| 5    | 0017-00003-0412 | FLUORESCENT STARTER HOLDER W/LEADS         |
|      | 0017-00101-0573 | #6-32 x 1/2 PHIL. RND. HD. M.S. (4 REQ'D.) |
|      | 0017-00104-0009 | #6 EXT. WASHER (4 REQ'D.)                  |
| 6    | 0017-00003-0019 | FLUORESCENT STARTER                        |
| 7    | 0017-00003-0026 | BALLAST                                    |
|      | 0017-00101-0598 | #8-32 x 5/16 SLT. HEX HD. SCR. (4 REQ'D.)  |
| 8    | A961-00042-0000 | LINE FILTER ASSY.                          |





|                                   |                |  |                |                                  |  |
|-----------------------------------|----------------|--|----------------|----------------------------------|--|
| PROJECT ENG: J. SZERSZEN          |                | USED ON: JR. PACMAN                      |                | REVISIONS                        |  |
| DO NOT SCALE DWG.                 |                | SCALE: FULL                              | NO RECD: 1 PER | MIDWAY MFG. CO.<br>FRANKLIN, PA. |  |
| DIM. TOLERANCES: UNLESS SPECIFIED |                | FCC FILTER BD, MS. PACMAN SCHEMATIC DWG. |                | PART NO: M051 - 00595 - D017     |  |
| DRW: <i>JB</i>                    | DATE: 12/08/83 | A084-91485-D595                          |                |                                  |  |
| CHK: <i>JK</i>                    |                |  |                |                                  |  |
| APPROVAL: <i>JK</i>               |                |  |                |                                  |  |
| DATE: 12/08/83                    |                |  |                |                                  |  |



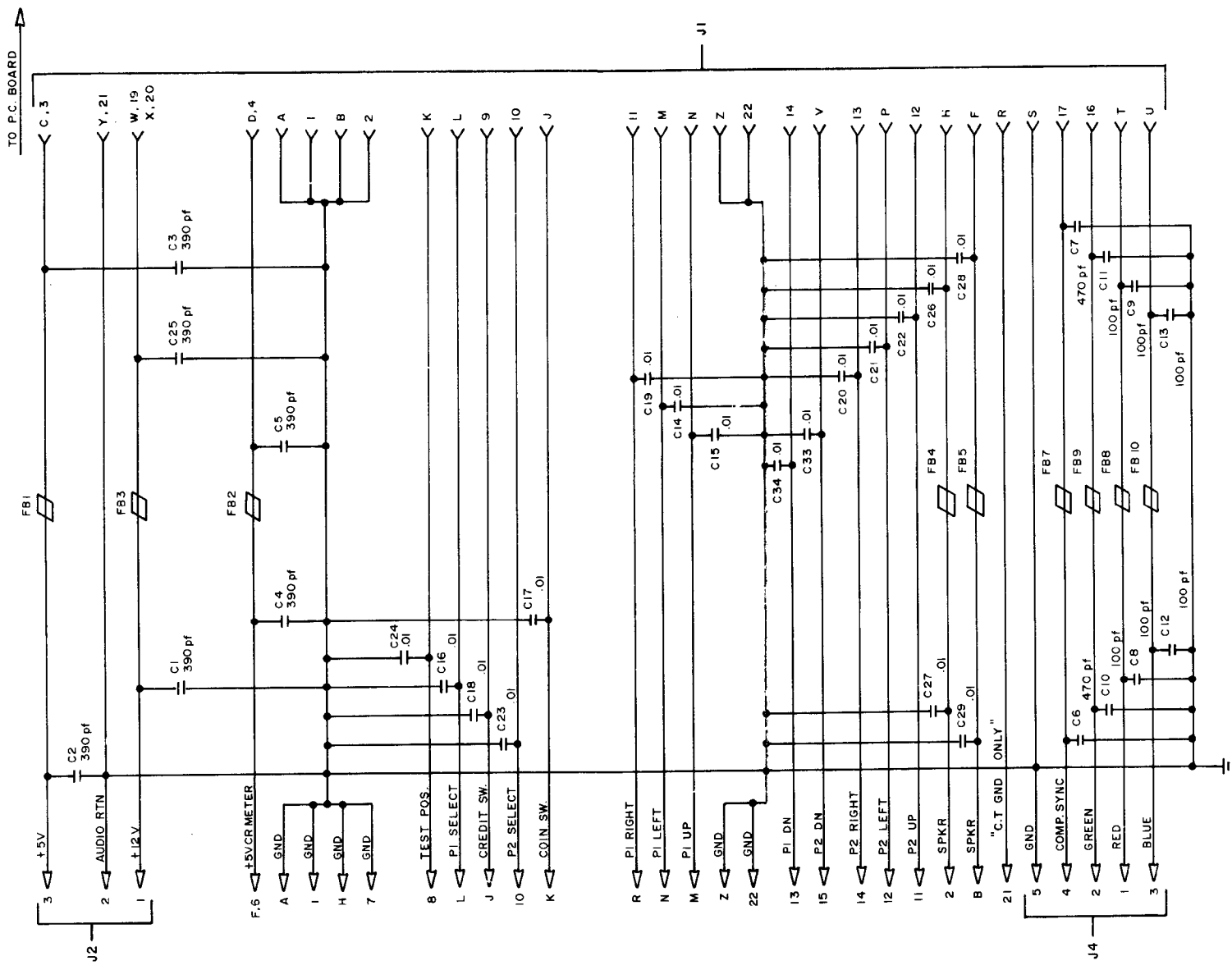
DESIGNATION LIST

CROSS REFERENCE LIST

| DESIGNATION         | DESCRIPTION                  | DESCRIPTION         | QTY | DESIGNATION        | PART NO.            |
|---------------------|------------------------------|---------------------|-----|--------------------|---------------------|
| C1 - C4             | .01 $\mu$ f 25V AX.CER.      | 100 pf 50V AX.CER.  | 6   | C23 - C28          | 0789 - 00800 - 1800 |
| C5 - C8             | 390 pf 50V " "               | 390 pf 50V " "      | 8   | C5 - C8, C31 - C34 | 0316 - 00800 - 0002 |
| C9 - C22            | .01 $\mu$ f 25V " "          | 470 pf 50V " "      | 2   | C29, C30           | 0932 - 00813 - 0100 |
| C23 - C28           | 100 pf 50V " "               | .01 $\mu$ f 25V " " | 18  | C1 - C4, C9 - C22, | 0A29 - 00800 - 0003 |
| C29, C30            | 470 pf 50V " "               | FERRITE BEAD W/LEAD | 10  | FBI - FB10         | 0316 - 00804 - 0002 |
| C31 - C34           | 390 pf 50V " "               | 22 PIN EDGE CONN.   | 1   | PI                 | 0017 - 00021 - 0418 |
| FBI - FB10          | FERRITE BEAD W/LEAD          | P.C. EDGE CONN KEY  | 2   | "                  | 0017 - 00021 - 0396 |
| PI                  | 22 PIN EDGE CONN.            | 8 - 32 X 5 SLT PAN  | 1   | STRAP MTG HDRW     | 0017 - 00101 - 0595 |
| "                   | P.C. EDGE CONN KEY           | 8 - 32 HEX NUT      | 1   | " " "              | 0017 - 00103 - 0008 |
| STRAP MTG HDRW      | 8 - 32 X 5 SLT PAN           | 6 - 32 X 10 PHL PAN | 2   | MTG HDRW PI        | 0017 - 00101 - 0763 |
| " " "               | 8 - 32 HEX NUT               | 6 145 - .250 - 032  | 2   | " " "              | 0017 - 00104 - 0002 |
| MTG HDRW PI         | 6 - 32 X 10 PHL PAN          | SPLT WSHR           | 1   | BRKT               | 0866 - 00118 - 00XF |
| " " "               | 6 145 - .250 - 032 SPLT WSHR | BRACKET             | 1   |                    | A080 - 91485 - D595 |
| BRKT                | BRACKET FOR CONN.            | FCC FILTER BD       | 1   |                    |                     |
| A080 - 91485 - D595 | FCC FILTER BD                |                     |     |                    |                     |

REVISIONS

|                                  |  |                    |                           |                         |                     |
|----------------------------------|--|--------------------|---------------------------|-------------------------|---------------------|
| PROJECT ENG. J. SZERSZEN         |  | USED ON JR. PACMAN |                           | Bally / MIDWAY MFG. CO. |                     |
| DO NOT SCALE DWG.                |  | HEAT TREAT         | SCALE FULL                | FRANKLIN PK. ILL.       |                     |
| DIM. TOLERANCES UNLESS SPECIFIED |  | DRAWN: TBO         | NO. REQ'D 1 PER           |                         | PART NO.            |
| CONCENTRICITY F.T.R. .001        |  | CHKD.              | FCC FILTER BD, MS. PACMAN |                         | M051 - 00595 - D016 |
| FRACTIONAL 1/64                  |  | DATE 12/12/83      | ASSY DWG.                 |                         |                     |
| DECIMAL .005                     |  |                    | A084 - 91485 - D595       |                         |                     |
| HOLE DIA. + .002 .000            |  |                    |                           |                         |                     |



NOTE:  
 ALL .01 CAPS ARE MF.  
 ALL CAPS AX. CER. UNLESS  
 NOTED OTHERWISE.  
 FB = FERRITE BEAD

TO CABLE

TO P.C. BOARD

|   |               |                                |               |                     |                             |
|---|---------------|--------------------------------|---------------|---------------------|-----------------------------|
| PROJECT ENG: J. SZERSZEN                  |               | USED ON JR. PACMAN             |               | REVISIONS           |                             |
| DO NOT SCALE DRAWING                      |               | HEAT TREAT                     | SCALE FULL    | NO. REQ'D 1 PER     |                             |
| DIM TOLERANCES UNLESS OTHERWISE SPECIFIED |               | MAT'L                          | SCHEMATIC DWG |                     | PART NO MO51 - 00A29 - A012 |
| DRN 128                                   | FINISH        | JR. PACMAN INTERFACE FILTER PC |               |                     |                             |
| CRD.                                      | DATE 11/02/83 | A084 - 91689 - AA29            |               | FRANKLIN PARK, N.J. |                             |

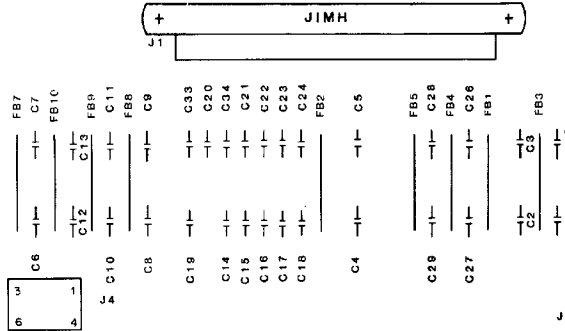
Betty / MIDWAY MFG. CO.

DESIGNATION LIST

| DESIGNATION NO.  | DESCRIPTION                      |
|------------------|----------------------------------|
| C1-C5            | 390 PF 50V AX CER                |
| C6,C7            | 470 PF 50V AX CER                |
| C8-C13           | 100 PF 50V AX CER                |
| C14-C24          | .01 UF 50V AX CER                |
| C25              | 390 PF 50V AX CER                |
| C26-C29          | .01 UF 50V AX CER                |
| C33,C34          | .01 UF 50V AX CER                |
| FB1-FB5,FB7-FB10 | FERRITE BEAD                     |
| J1               | P.C. EDGE CONN.                  |
| J2               | 3 PIN HEADER                     |
| J4               | 6 PIN HEADER                     |
| J1 MH            | (2) P.C. EDGE CONN. KEY          |
|                  | (2) 6-32x10 SLOT PAN SCREW       |
|                  | (2) WSH. 6 145-.250-.032         |
|                  | (1) BRKT-CONN FIN                |
|                  | (1) INSULATED GND STRAP          |
|                  | (1) 8-32x5 SLOT PAN SCREW        |
|                  | (1) 8-32 NUT HEX                 |
| A080-91689-AA29  | INTERFACE FILTER P.C. JR PAC-MAN |

© 1983 BALLY MIDWAY MFG CO  
ALL RIGHTS RESERVED

JR. PAC INTERFACE FILTER P.C.

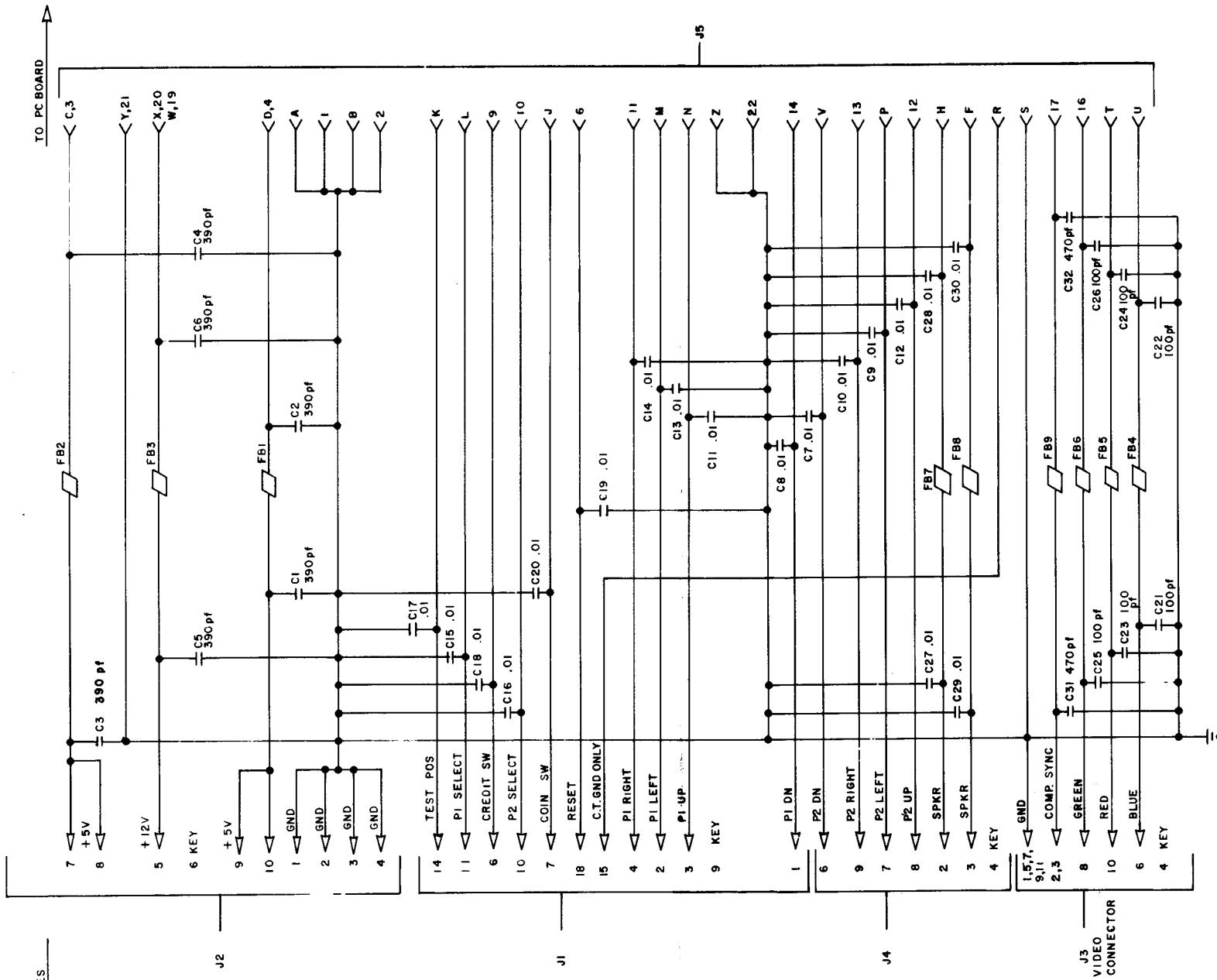


CROSS REFERENCE LIST

| DESCRIPTION                       | QTY | DESIGNATION NO.         | PART NOS.       |
|-----------------------------------|-----|-------------------------|-----------------|
| 100 PF 50V AX CER                 | 6   | C8-C13                  | 0789-00800-1800 |
| 390 PF 50V AX CER                 | 6   | C1-C5,C25               | 0316-00800-0002 |
| 470 PF 50V AX CER                 | 2   | C6,C7                   | 0550-00800-0200 |
| .01 UF UF AX CER                  | 17  | C14-C24,C26-C29,C33,C34 | 0A29-00800-0003 |
| FERRITE BEAD                      | 9   | FB1-FB5,FB7-FB10        | 0316-00804-0002 |
| P.C. EDGE CONN                    | 1   | J1                      | 0017-00021-0418 |
| 3 PIN HEADER                      | 1   | J2                      | 0017-00021-0443 |
| 6 PIN HEADER                      | 1   | J4                      | 0017-00021-0424 |
| P.C. EDGE CONN. KEY               | 2   | J1 MH                   | 0017-00021-0396 |
| 6-32x10 SLOT PAN SCREW            | 2   | J1 MH                   | 0017-00101-0763 |
| WSH. 6 145-.250-.032              | 2   | J1 MH                   | 0017-00104-0002 |
| BRKT-CONN FIN                     | 1   |                         | 0866-00118-00XF |
| INSULATED GND STRAP               | 1   |                         | 3000-17143-0700 |
| 8-32x5 SLOT PAN SCREW             | 1   |                         | 0017-00101-0595 |
| 8-32 NUT HEX                      | 1   |                         | 0017-00103-0008 |
| INTERFACE FILTER P.C. JR. PAC-MAN |     |                         | A080-91689-AA29 |

REVISIONS

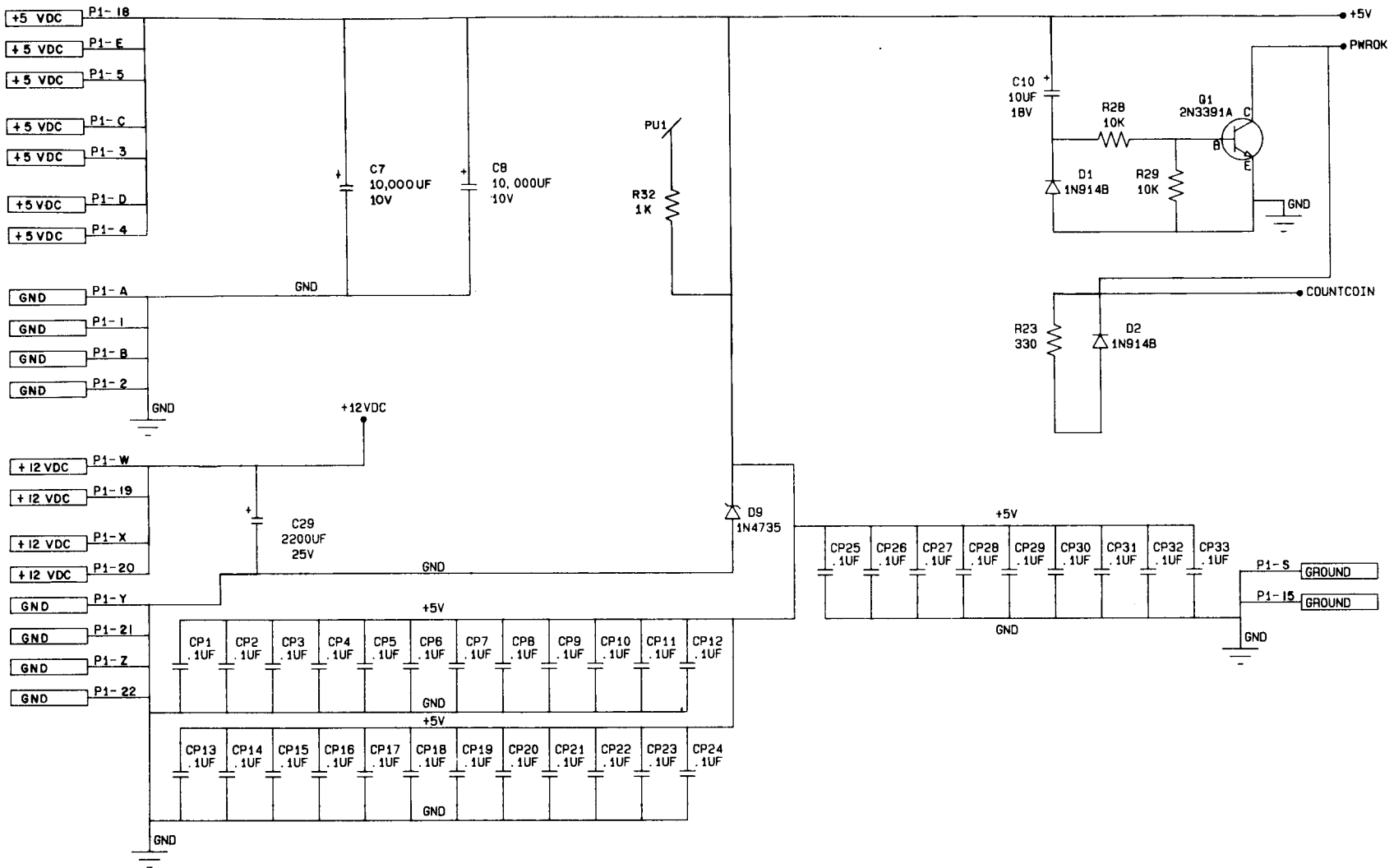
|  |         |                   |                              |  |                     |
|--|---------|-------------------|------------------------------|--|---------------------|
| PROJECT ENG: J. SZERSZEN                   |         | USED ON JR PACMAN |                              | Bally / MIDWAY MFG. CO.<br>FRANKLIN PA ILL |                     |
| DO NOT WRITE OVER                          |         | HEAT TREAT        | SCALE FULL                   | NO. REQ'D 1 PER                            |                     |
| DIM TOLERANCE - UNLESS OTHERWISE SPECIFIED | DRW TBZ | MAT'L             | JR PAC INTERFACE FILTER P.C. |  | PART NO.            |
| DATE 12/12/83                              | CHKD    | FINISH            | ASSEMBLY DWG                 |  | M051 - 00A29 - A011 |
|  |         |                   | A080-91689-AA29              |  |                     |



NOTE:  
 ALL .01 CAPS ARE MF.  
 ALL CAPS AX.CER UNLESS  
 NOTED OTHERWISE  
 FB= FERRITE BEAD

|                                     |               |   |            |
|-------------------------------------|---------------|---|------------|
| PROJECT ENG: J. SZERSZEN            |               | USED ON JR. PACMAN                              |            |
| DO NOT SCALE DWG                    |               | HEAT TREAT                                      | SCALE FULL |
| DIM TOLERANCES UNLESS SPECIFIED     |               | NO. REQ'D 1 PER                                 |            |
| DRW. BAK                            | DATE 12/14/83 | JR. PACMAN (SP) INTERFACE FILTER SCHEMATIC DWG. |            |
| CHKD.                               |               | A080 - 91698 - CA29                             |            |
| MIDWAY MFG. CO. FRANKLIN, PA. 15035 |               | PART NO. M051 - 00A29 - CC18                    |            |

| REVISIONS |
|-----------|
|           |
|           |
|           |

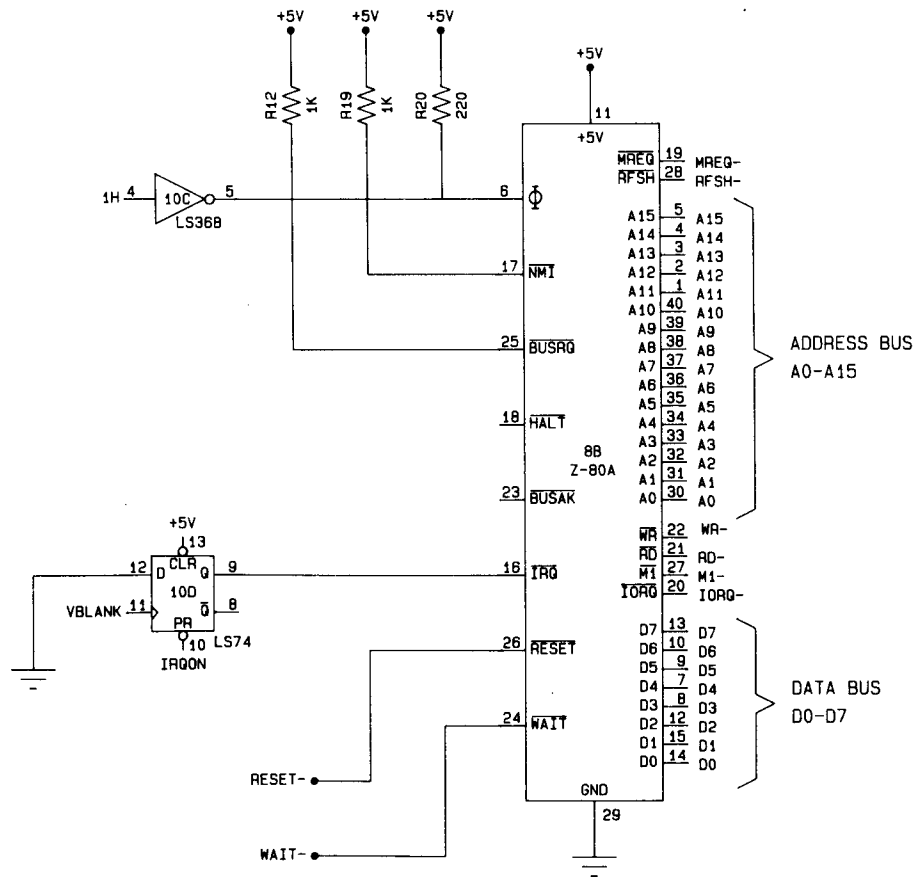


THIS DWG IS CONFIDENTIAL & PROPERTY OF BALLY/MIDWAY MFG. CO.

SHEET 1 OF 22

|  |  |   |                       |
|--|--|---|-----------------------|
| <b>DIM. TOLERANCES</b><br>UNLESS OTHERWISE SPEC.<br>CONCENTRICITY T.I.R. .002<br>FRACTIONAL ± 1/64<br>DECIMAL ± .005<br>HOLE DIA. +.002 - .000<br>ANGLE ± 1/2°<br><b>DO NOT SCALE DWG.</b> | FIRST USED ON <b>JR. PACMAN</b><br>DRN <b>TBB</b> DATE <b>12/08/83</b> SCALE <b>FULL</b> | <i>Bally</i> / <b>MIDWAY MFG. CO.</b><br>FRANKLIN PARK, IL 60131<br><b>JR. PACMAN (CONVERSION)</b><br><b>LOGIC P.C.</b><br><b>A080-91688-CA29</b> | <b>POWER / GROUND</b> |
|  | MECH. CHG. _____ MAT. _____<br>ELEC. CHK. _____ FINISH _____                             |   | <b>REVISIONS</b>      |
|  | PART NO. <b>M-0-5-1-0-0-A-2-9-C-0-1-0</b>  |   |                       |
|  |  |   |                       |





THIS DWG IS CONFIDENTIAL & PROPERTY OF BALLY/MIDWAY MFG CO

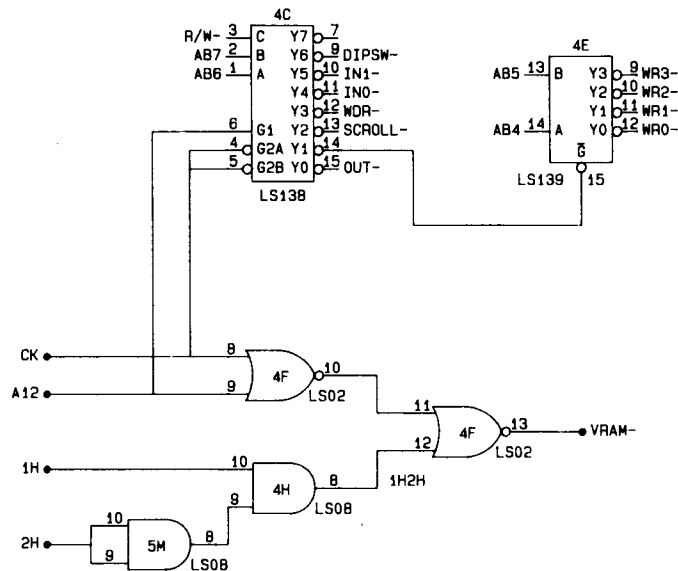
SHEET 2 OF 22

|   |               |            |               |
|---|---------------|------------|---------------|
| <b>DIM. TOLERANCES</b><br>UNLESS OTHERWISE SPEC.<br>CONCENTRICITY T.I.R. .002<br>FRACTIONAL ± 1/64<br>DECIMAL ± .005<br>HOLE DIA +.002 - .000<br>ANGLE ± 1/2°<br><b>DO NOT SCALE DWG.</b> | FIRST USED ON | JR. PACMAN |               |
|   | DRN           | 788        | SCALE FULL    |
|   | MECH CHK      |            | DATE 12/08/83 |
|   | ELEC CHK      |            | FINISH        |

*Bally*/MIDWAY MFG. CO.  
FRANKLIN PARK, IL 60131

JR. PACMAN (CONVERSION)  
LOGIC P.C.  
A080-91688-CA29

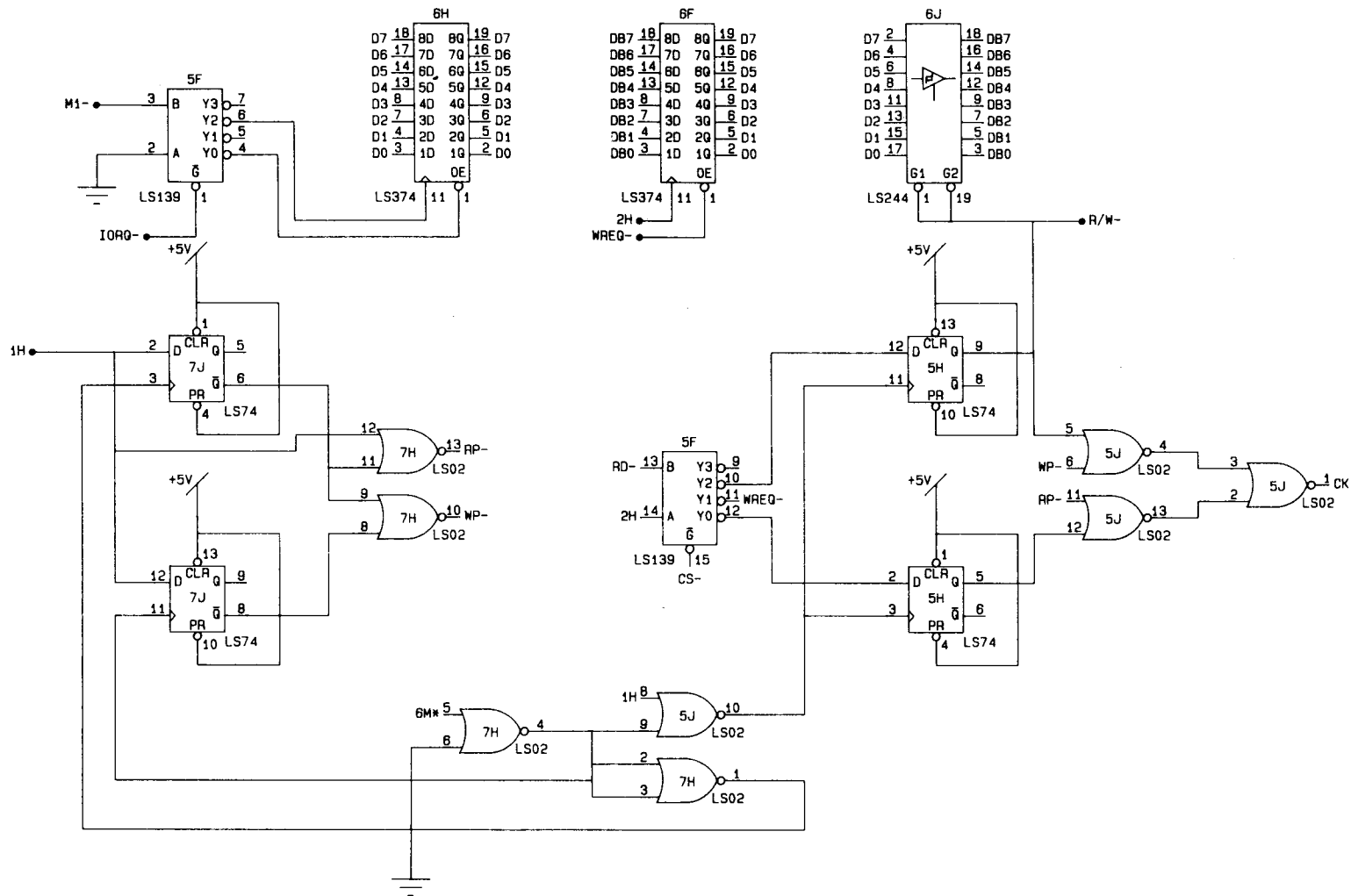
|           |                           |
|-----------|---------------------------|
| CPU       |                           |
| REVISIONS |                           |
| PART NO   | M-0-5-1-0-0-A-2-9-C-0-1-0 |



THIS DWG. IS CONFIDENTIAL & PROPERTY OF BALLY/MIDWAY MFG. CO.

SHEET 3 OF 22

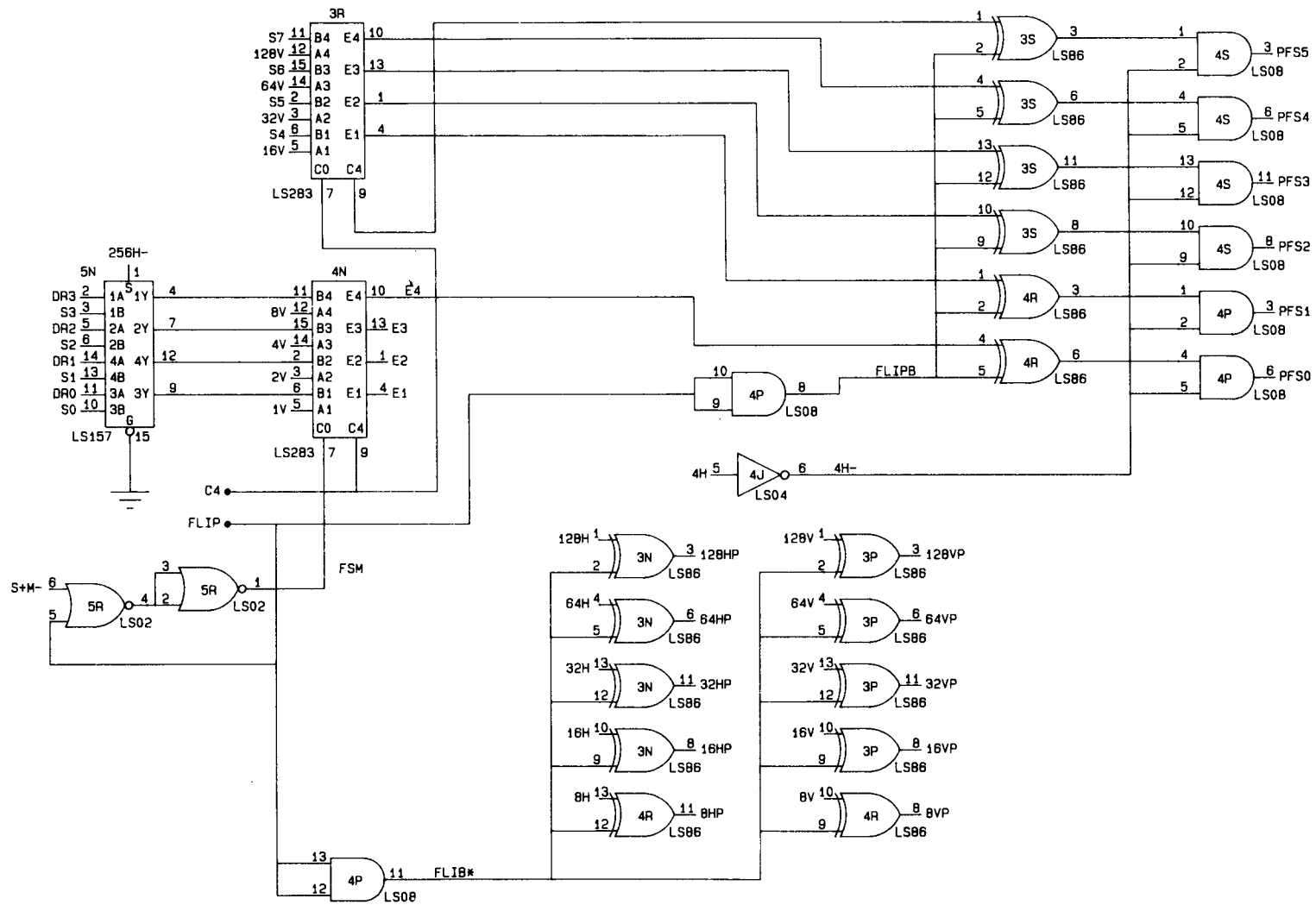
|  |  |   |                |
|--|--|---|----------------|
| <b>DIM. TOLERANCES</b><br>UNLESS OTHERWISE SPEC.<br>CONCENTRICITY T.I.R. .002<br>FRACTIONAL ± 1/64<br>DECIMAL ± .005<br>HOLE DIA. +.002 - .000<br>ANGLE ± 1/2°<br><b>DO NOT SCALE DWG.</b> | FIRST USED ON <b>JR. PACMAN</b><br>DWN <b>TBB</b> DATE <b>12/08/83</b> SCALE <b>FULL</b> | <i>Bally</i> / <b>MIDWAY MFG. CO.</b><br>FRANKLIN PARK, IL 60131<br><b>JR. PACMAN (CONVERSION)</b><br><b>LOGIC P.C.</b><br><b>A080-91688-CA29</b> | ADDRESS DECODE |
|  | MECH. CHK _____ MAT. _____<br>ELEC. CHK _____ FINISH _____                               |   | REVISIONS      |
|  | PART NO. <b>M-0-5-1-0-0-A-2-9-C-0-1-0</b>  |   |                |
|  |  |   |                |



THIS DWG IS CONFIDENTIAL - PROPERTY OF BALLY/MIDWAY MFG CO.

SHEET 4 OF 22

|   |                                    |                         |                      |  |                            |
|---|------------------------------------|-------------------------|----------------------|--|----------------------------|
| <b>DIM. TOLERANCES</b><br>UNLESS OTHERWISE SPEC<br>CONCENTRICITY T.I.R. 002<br>FRACTIONAL ± 1/64<br>DECIMAL ± 005<br>HOLE DIA. +002-000<br>ANGLE ± 1/2°<br><b>DO NOT SCALE DWG.</b> | FIRST USED ON<br><b>JR. PACMAN</b> | DATE<br><b>12/08/83</b> | SCALE<br><b>FULL</b> | <i>Bally</i> /MIDWAY MFG. CO.<br>FRANKLIN PARK, IL 60131 | <b>SYNC BUS CONTROLLER</b> |
|   | MECH. CHK<br><b>TBB</b>            | MAT'L                   | ELEC. CHK            |  | FINISH                     |
| <b>JR. PACMAN (CONVERSION)</b><br><b>LOGIC P.C.</b><br><b>A080-91688-CA29</b>   |                                    |                         |                      | PART NO<br><b>M.O.5.1-0.0.A.2.9-C.0.1.0</b>              |                            |



THIS DWG IS CONFIDENTIAL & PROPERTY OF BALLY/MIDWAY MFG CO

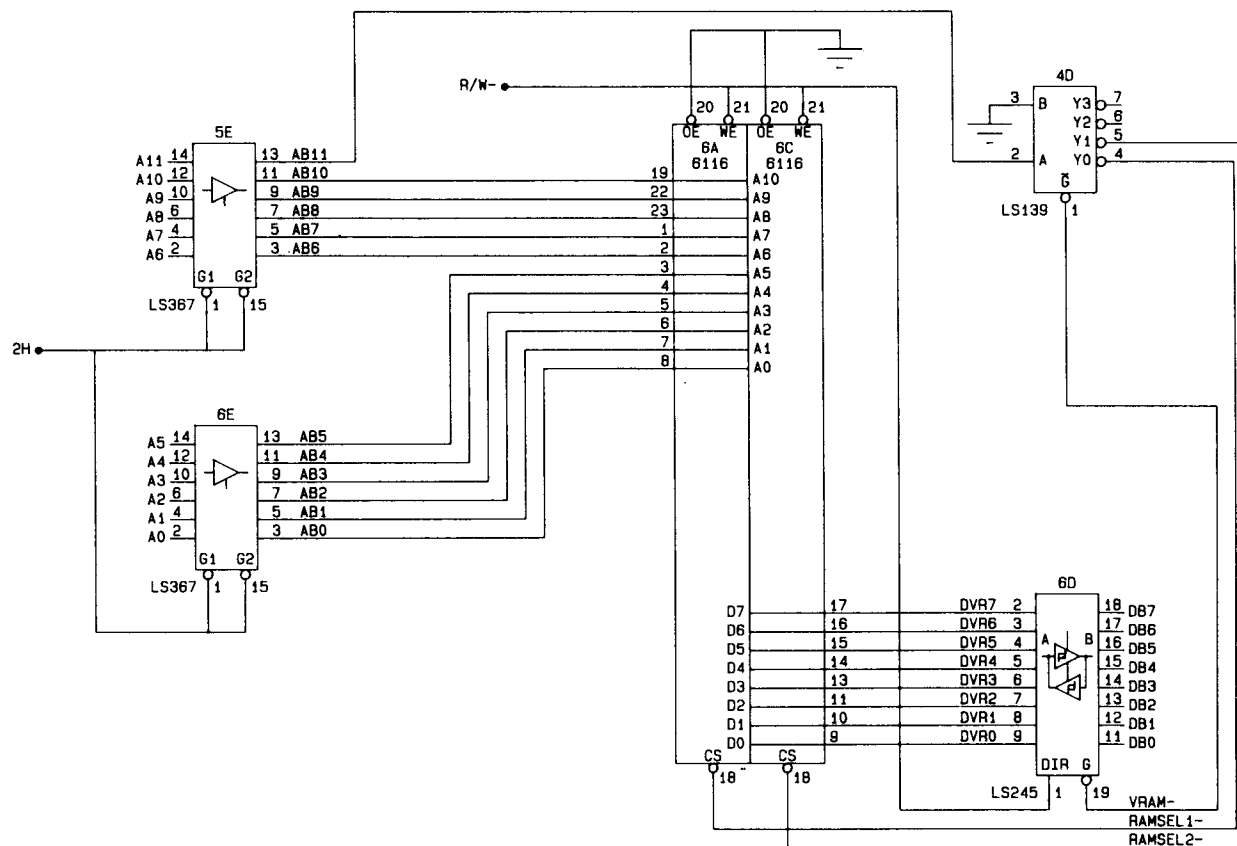
SHEET 5 OF 22

|   |                                 |                      |
|---|---------------------------------|----------------------|
| <b>DIM. TOLERANCES</b><br>UNLESS OTHERWISE SPEC<br>CONCENTRICITY T I R .002<br>FRACTIONAL ± 1/64<br>DECIMAL ± .005<br>HOLE DIA +.002-.000<br>ANGLE ± 1/2°<br><b>DO NOT SCALE DWG.</b> | FIRST USED ON <b>JR. PACMAN</b> | SCALE <b>FULL</b>    |
|   | DRN <b>TEB</b>                  | DATE <b>12/08/83</b> |
|   | MECH CKR                        | MAT'L                |
|   | ELEC CKR                        | FINISH               |

**Bally/MIDWAY MFG. CO.**  
FRANKLIN PARK, IL 60131

**JR. PACMAN (CONVERSION)**  
LOGIC P.C.  
A080-91688-CA29

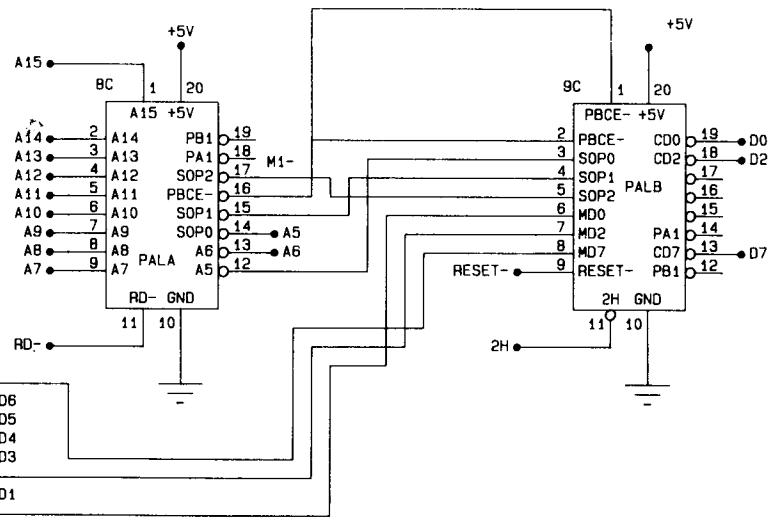
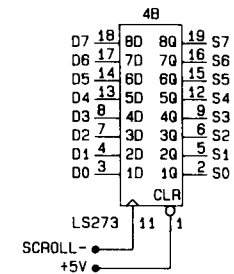
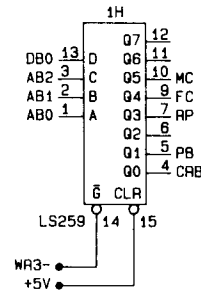
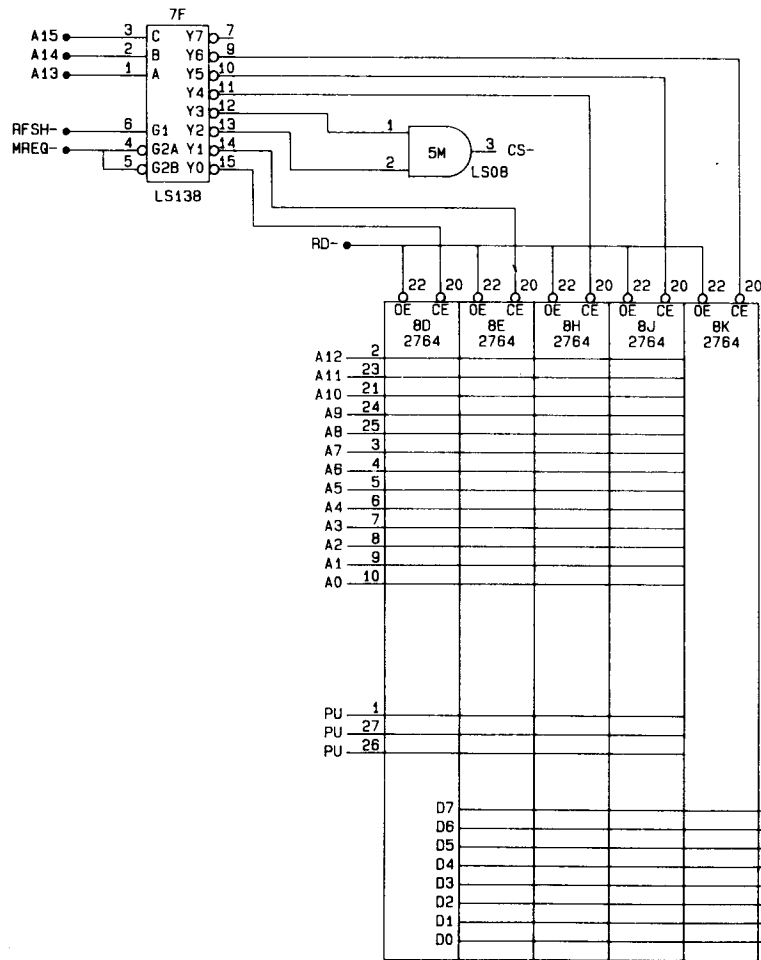
**SCROLLING / VIDEO**  
**REVISIONS**  
PART NO  
M0051-00A-29-C010



THIS DWG IS CONFIDENTIAL & PROPERTY OF BALLY/MIDWAY MFG CO

SHEET 6 OF 22

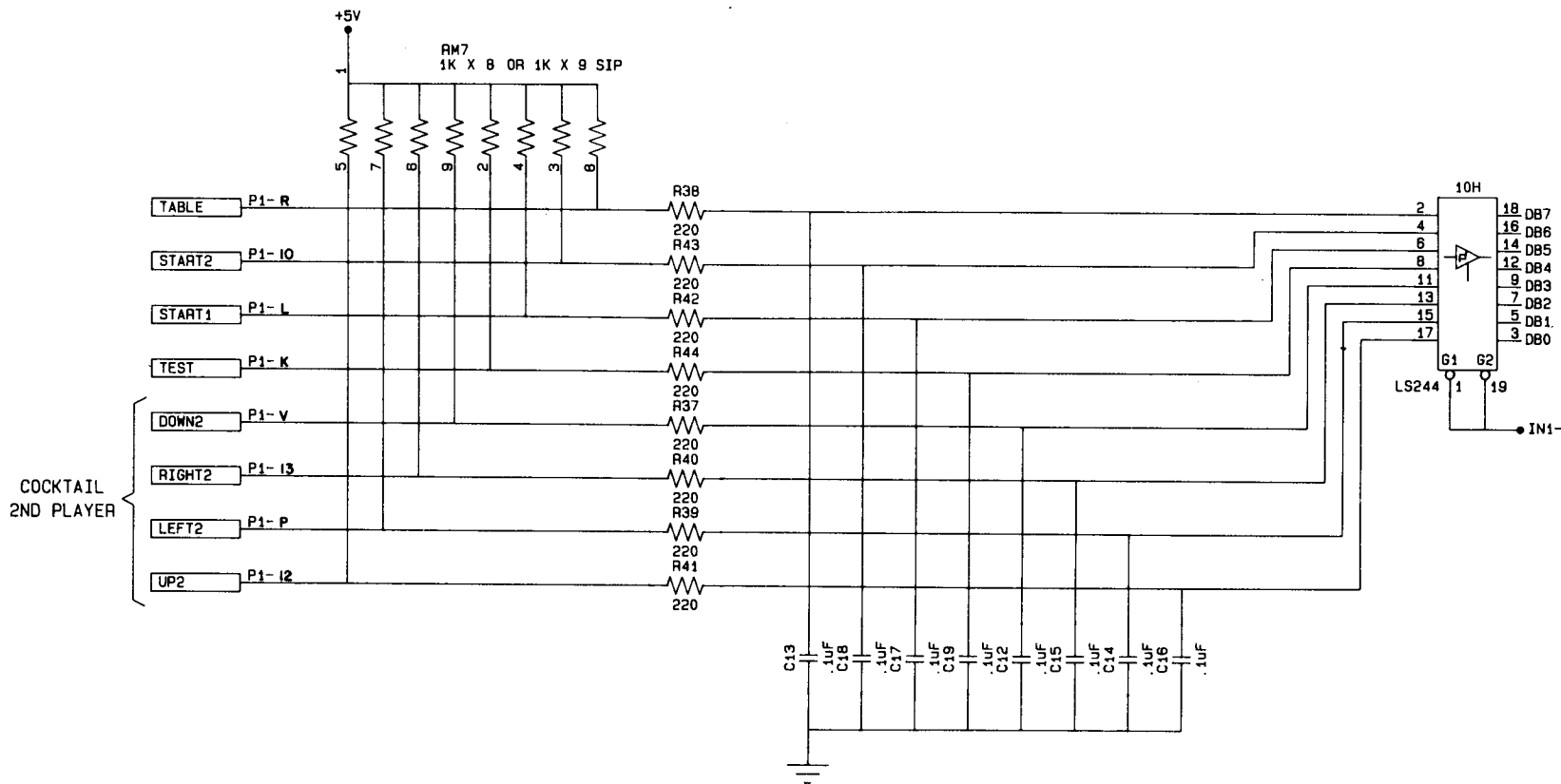
|  |                                 |   |   |   |
|--|---------------------------------|---|---|---|
| <b>DIM. TOLERANCES</b><br>UNLESS OTHERWISE SPEC.<br>CONCENTRICITY T.I.R. .002<br>FRACTIONAL ± 1/64<br>DECIMAL ± .005<br>HOLE DIA. +.002 - .000<br>ANGLE ± 1/2°<br><b>DO NOT SCALE DWG.</b> | FIRST USED ON <b>JR. PACMAN</b> | DATE <b>12/08/83</b> SCALE <b>FULL</b>              | <b>Bally/MIDWAY MFG. CO.</b><br>FRANKLIN PARK, IL 60131 | <b>RAM</b>                                  |
|  | DRN <b>TBB</b>                  |   |   | <b>REVISIONS</b>                            |
|  | MECH CHK _____ MAT L _____      | <b>JR. PACMAN (CONVERSION)</b><br><b>LOGIC P.C.</b> |   | PART NO<br><b>M-0-5-1-0-0-A-2-9-C-0-1-0</b> |
|  | ELEC CHK _____ FINISH _____     | <b>A080-91688-CA29</b>                              |   |   |



THIS DWG IS CONFIDENTIAL & PROPERTY OF BALLY/MIDWAY MFG CO

SHEET 7 OF 22

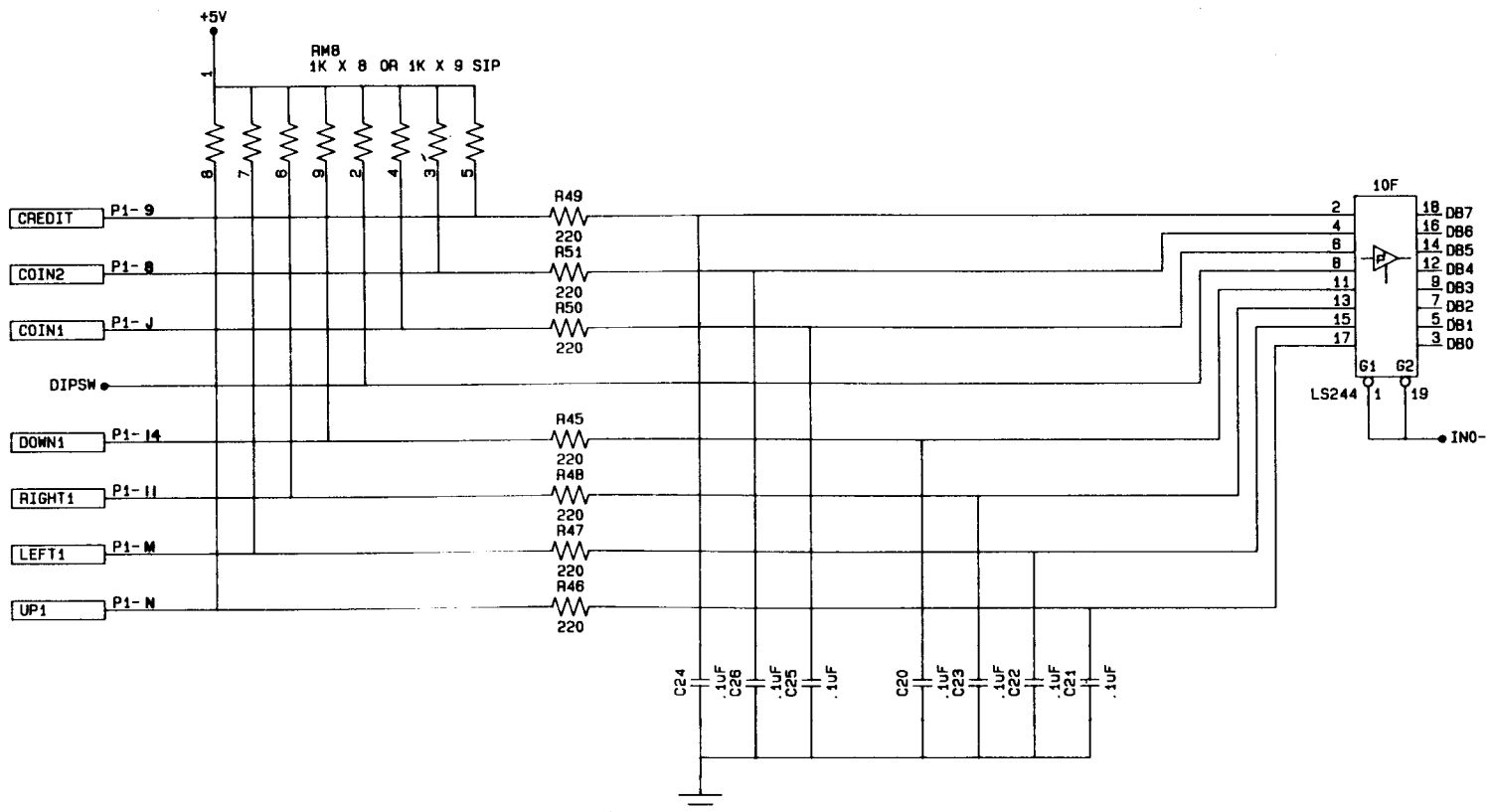
|   |  |  |  |
|---|--|--|--|
| <b>DIM. TOLERANCES</b><br>UNLESS OTHERWISE SPEC.<br>CONCENTRICITY T I R .002<br>FRACTIONAL ± 1/64<br>DECIMAL ± .005<br>HOLE DIA + .002 - .000<br>ANGLE ± 1/2°<br><b>DO NOT SCALE DWG.</b> | FIRST USED ON <b>JR. PACMAN</b><br>DRN <b>TBB</b> DATE <b>12/08/83</b> SCALE <b>FULL</b> | <b>Bally/MIDWAY MFG. CO.</b><br>FRANKLIN PARK, IL 60131<br><b>JR. PACMAN (CONVERSION)</b><br><b>LOGIC P.C.</b><br><b>A080-91688-CA29</b> | <b>ROM</b>   |
|   | MECH. CHK _____ MAT. _____<br>ELEC. CHK _____ FINISH _____                               |  | <b>REVISIONS</b><br>PART NO <b>M-O-5-1-0-0-A-2-9-C-0-1-0</b> |



THIS DWG IS CONFIDENTIAL & PROPERTY OF BALLY/MIDWAY MFG CO

SHEET 8 OF 22

|   |                                    |                     |   |   |  |                    |
|---|------------------------------------|---------------------|---|---|--|--------------------|
| <b>DIM. TOLERANCES</b><br>UNLESS OTHERWISE SPEC<br>CONCENTRICITY T.I.R. .002<br>FRACTIONAL ± 1/64<br>DECIMAL ± .005<br>HOLE DIA. +.002 - .000<br>ANGLE ± 1/2°<br><b>DO NOT SCALE DWG.</b> | FIRST USED ON<br><b>JR. PACMAN</b> | DRN<br><b>TBB</b>   | DATE<br><b>12/08/83</b>   | SCALE<br><b>FULL</b>  | <i>Bally</i> / <b>MIDWAY MFG. CO.</b><br>FRANKLIN PARK, IL 60131 | <b>DIGITAL IN1</b> |
|   | MECH CHK<br><br>ELEC CHK           | MAT'L<br><br>FINISH | <b>JR. PACMAN (CONVERSION)</b><br><b>LOGIC P.C.</b><br><b>A080-91688-CA29</b> | <b>REVISIONS</b><br>PART NO<br><b>M-0-5-1-0-0-A-2-9-C-0-1-0</b> |  |                    |

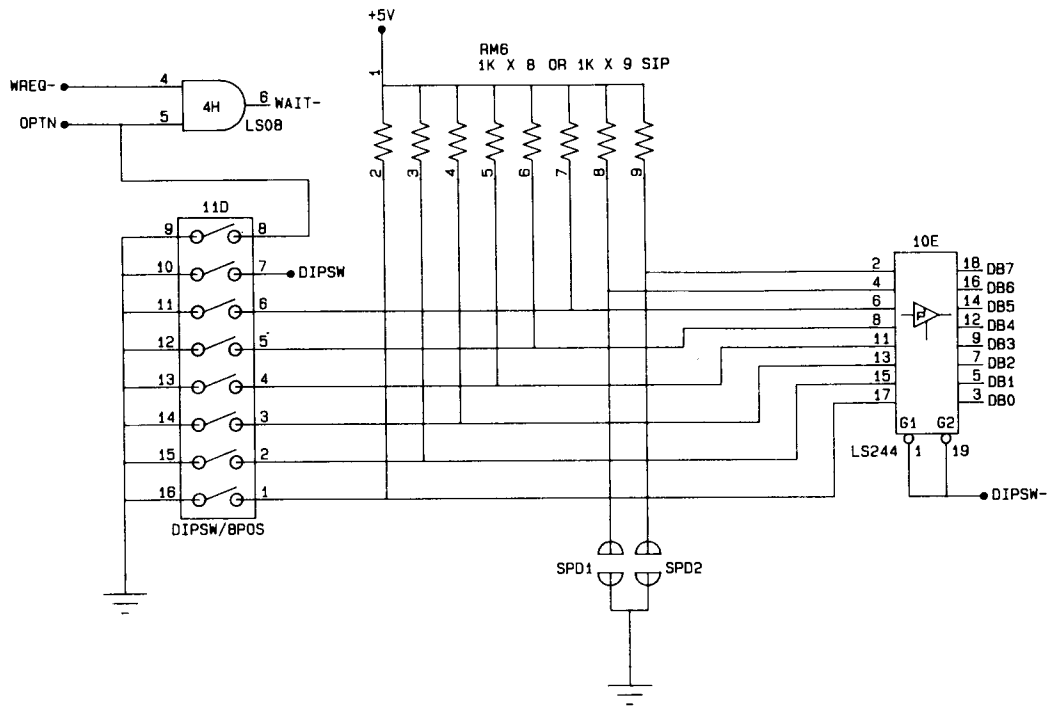


THIS DWG IS CONFIDENTIAL & PROPERTY OF BALLY/MIDWAY MFG CO

SHEET 9 OF 22

|   |                                 |   |  |  |                    |
|---|---------------------------------|---|--|--|--------------------|
| <b>DIM. TOLERANCES</b><br>UNLESS OTHERWISE SPEC.<br>CONCENTRICITY T.I.R. .002<br>FRACTIONAL ± 1/64<br>DECIMAL ± .005<br>HOLE DIA. + .002 - .000<br>ANGLE ± 1/2°<br><b>DO NOT SCALE DWG.</b> | FIRST USED ON <b>JR. PACMAN</b> | DATE <b>12/08/83</b> SCALE <b>FULL</b>  |  | <b>Bally/MIDWAY mfg. co.</b><br>FRANKLIN PARK, IL 60131<br><b>JR. PACMAN (CONVERSION)</b><br>LOGIC P.C.<br>A080-91688-CA29 | <b>DIGITAL IN2</b> |
|   | DRN <b>TBB</b>                  | MECH CHK _____ MAT L _____              |  |  | <b>REVISIONS</b>   |
|   | ELEC CHK _____ FINISH _____     | PART NO <b>M0-5-1-0-0-A-2-9-C-0-1-0</b> |  |  |                    |
|   |                                 |   |  |  |                    |

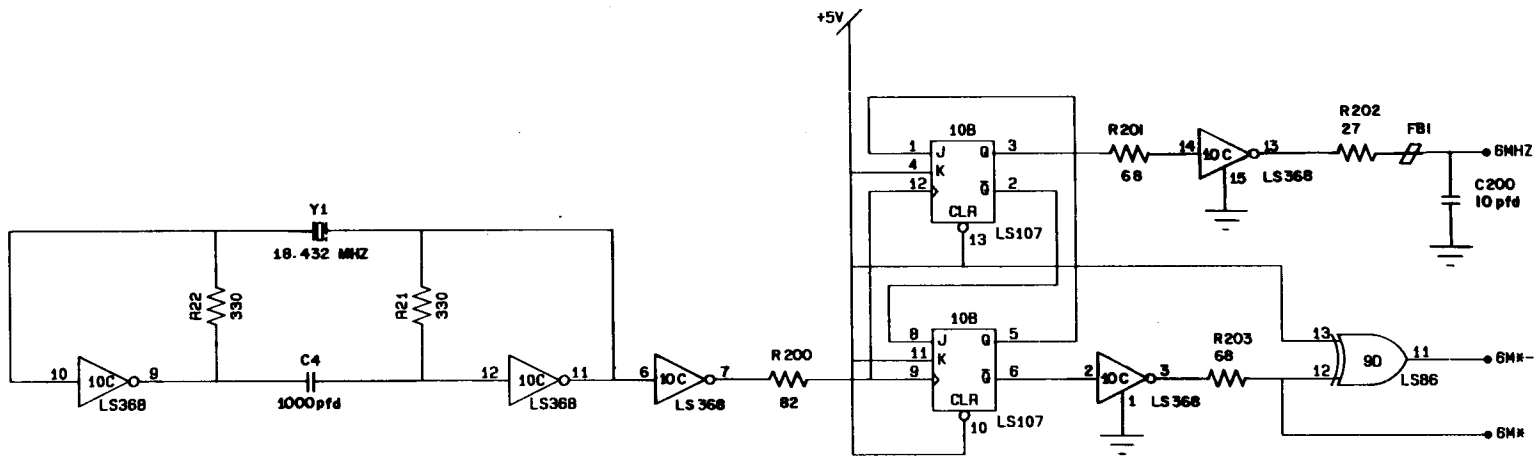




THIS DWG IS CONFIDENTIAL & PROPERTY OF BALLY/MIDWAY MFG CO

SHEET 10 OF 22

|  |  |  |   |  |
|--|--|--|---|--|
| <b>DIM. TOLERANCES</b><br>UNLESS OTHERWISE SPEC.<br>CONCENTRICITY T.I.R. .002<br>FRACTIONAL ± 1/64<br>DECIMAL ± .005<br>HOLE DIA. +.002 - .000<br>ANGLE ± 1/2°<br><b>DO NOT SCALE DWG.</b> | FIRST USED ON <b>JR. PACMAN</b><br>DRN <b>TBB</b> DATE <b>12/08/83</b> SCALE <b>FULL</b> | <b>Bally/MIDWAY MFG. CO.</b><br>FRANKLIN PARK, IL 60131<br><b>JR. PACMAN (CONVERSION)</b><br>LOGIC P.C.<br>A080-91688-CA29 | <b>DIPSWITCH</b>                            |  |
|  | MECH CHK _____ MAT'L _____<br>ELEC CHK _____ FINISH _____                                |  | <b>REVISIONS</b>                            |  |
|  |  |  | PART NO<br><b>M-0-5-1-0-0-A-2-9-C-0-1-0</b> |  |
|  |  |  |   |  |



THIS DWG. IS CONFIDENTIAL & PROPERTY OF BALLY/MIDWAY MFG. CO.

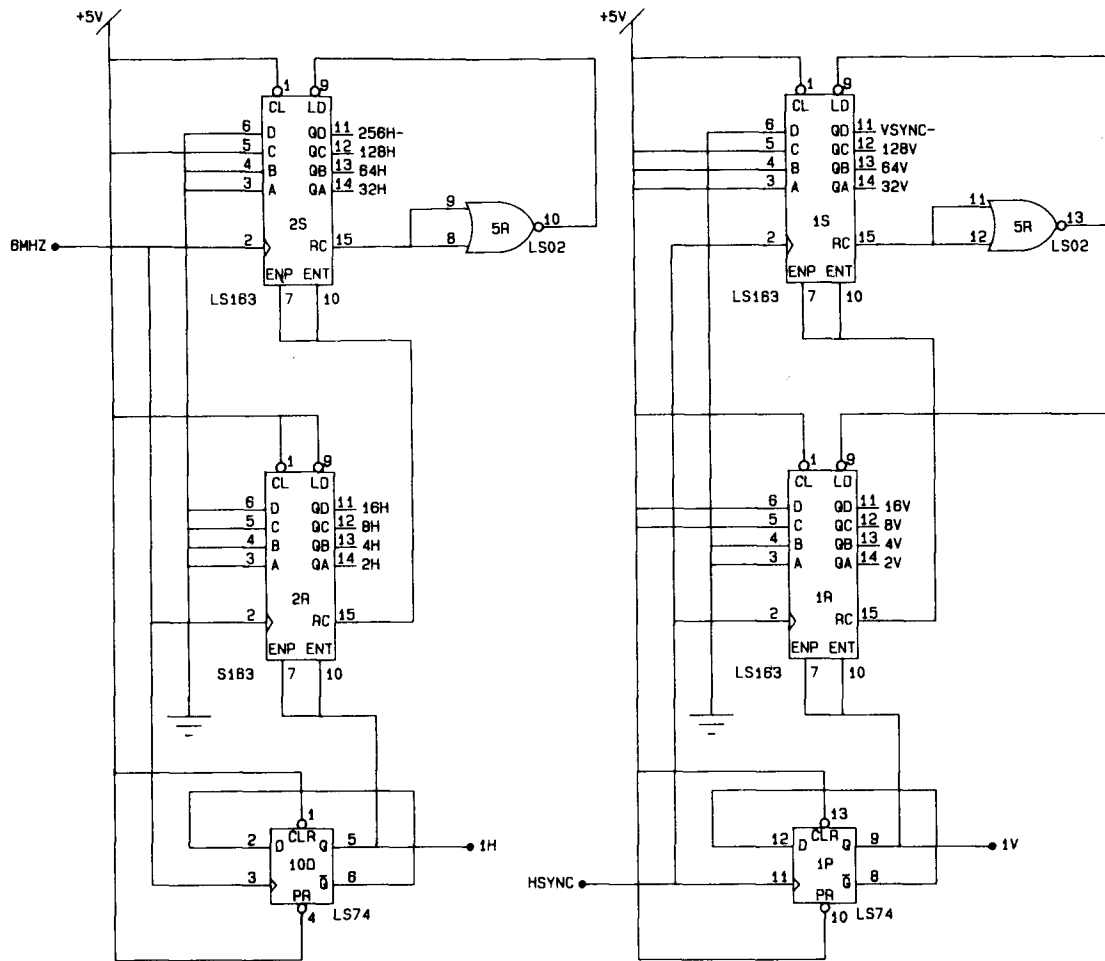
SHEET 11 OF 22

**DIM. TOLERANCES**  
UNLESS OTHERWISE SPEC.  
CONCENTRICITY T.I.R. .002  
FRACTIONAL ± .1/64  
DECIMAL ± .005  
HOLE DIA. +.002-.000  
ANGLE ± 1/2°  
**DO NOT SCALE DWG.**

|               |            |       |
|---------------|------------|-------|
| FIRST USED ON | JR. PACMAN |       |
| DRN           | DATE       | SCALE |
| 100           | 12/08/83   | FULL  |
| MECH. CHK.    | MAT'L      |       |
| ELEC. CHK.    | FINISH     |       |

*Bally* / **MIDWAY MFG. CO.**  
FRANKLIN PARK, IL 60131  
JR. PACMAN (CONVERSION)  
LOGIC P.C.  
A080-91688-CA29

|                        |                          |
|------------------------|--------------------------|
| <b>CLOCK GENERATOR</b> |                          |
| REVISIONS              |                          |
| PART NO.               | M0-5-1-0-0-A-2-9-C-0-1-0 |



THIS DWG IS CONFIDENTIAL & PROPERTY OF BALLY/MIDWAY MFG CO

SHEET 12 OF 22

**DIM. TOLERANCES**  
 UNLESS OTHERWISE SPEC.  
 CONCENTRICITY T.I.R. .002  
 FRACTIONAL ± 1/64  
 DECIMAL ± .005  
 HOLE DIA. + .002 - .000  
 ANGLE ± 1/2°  
**DO NOT SCALE DWG.**

|               |            |       |
|---------------|------------|-------|
| FIRST USED ON | JR. PACMAN |       |
| DRN           | DATE       | SCALE |
| TBB           | 12/08/83   | FULL  |
| MECH CHK      | MAT'L      |       |
| ELEC CHK      | FINISH     |       |

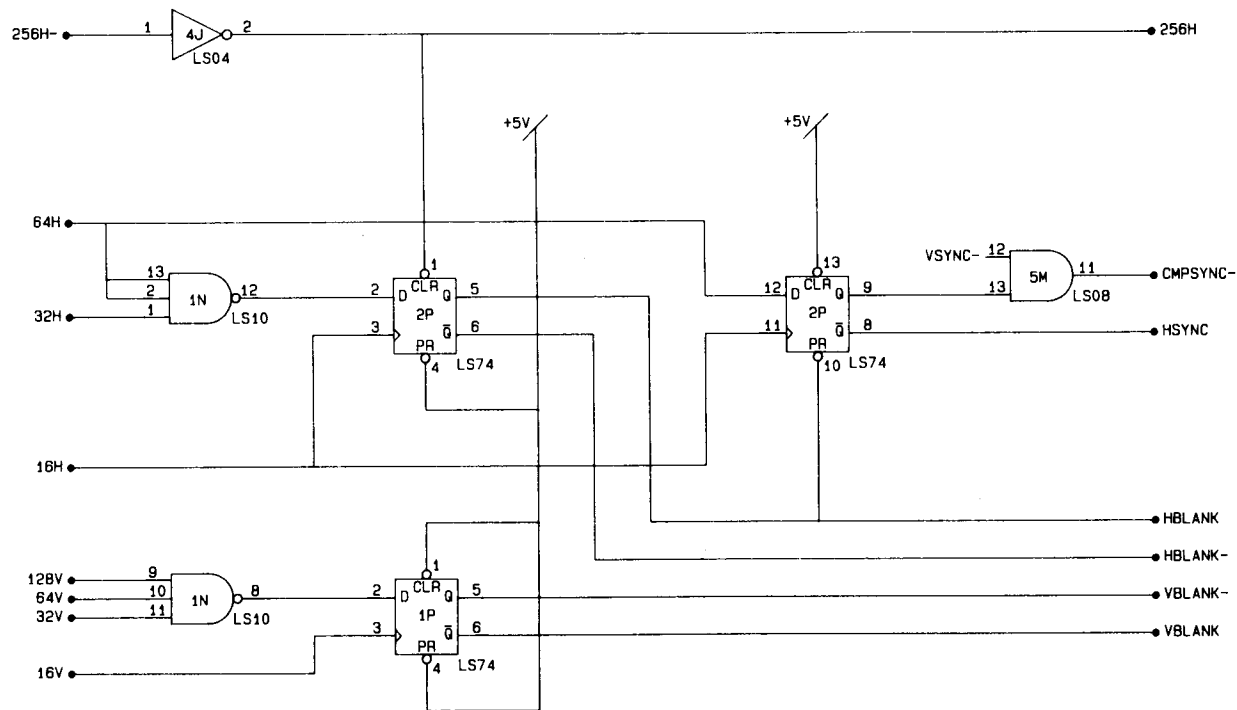
*Bally*/MIDWAY MFG. CO.  
 FRANKLIN PARK, IL 60131

JR. PACMAN (CONVERSION)  
 LOGIC P.C.  
 A080-91688-CA29

SYNC GENERATOR

REVISIONS

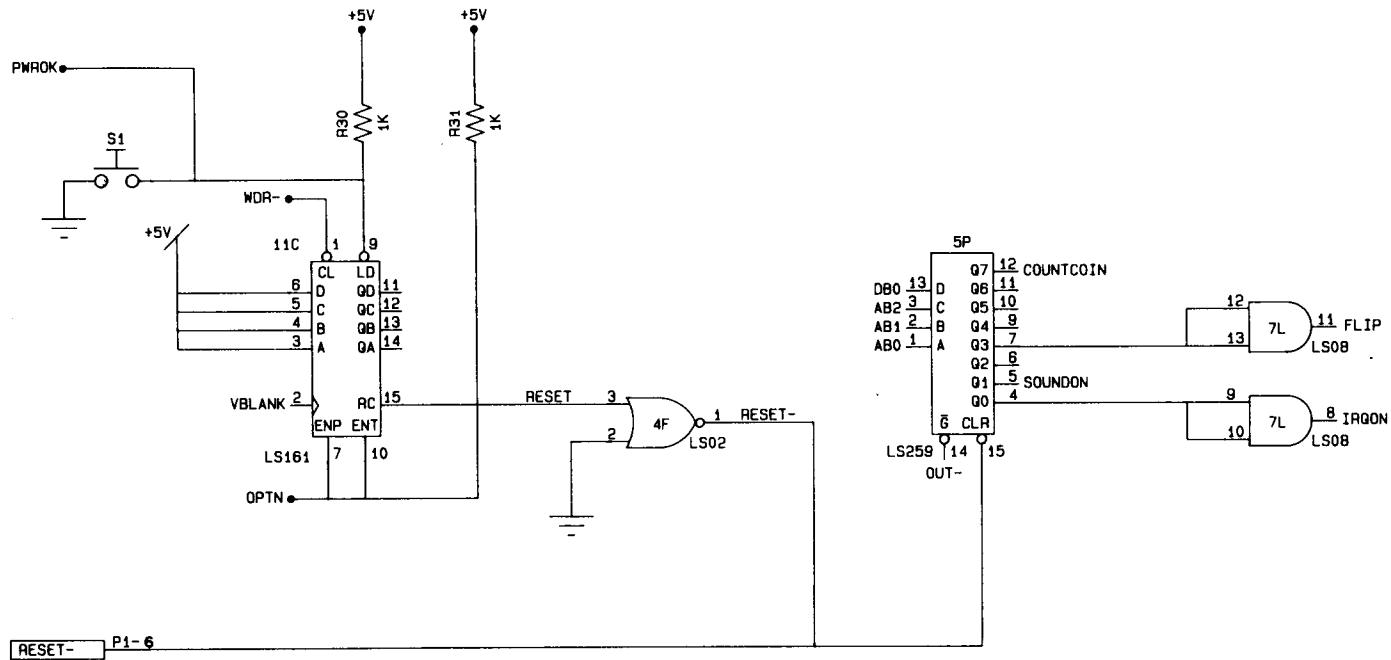
PART NO  
 M.O.5-1-0-0-A-2-9-C-0-1-0



THIS DWG IS CONFIDENTIAL & PROPERTY OF BALLY/MIDWAY MFG CO

SHEET 13 OF 22

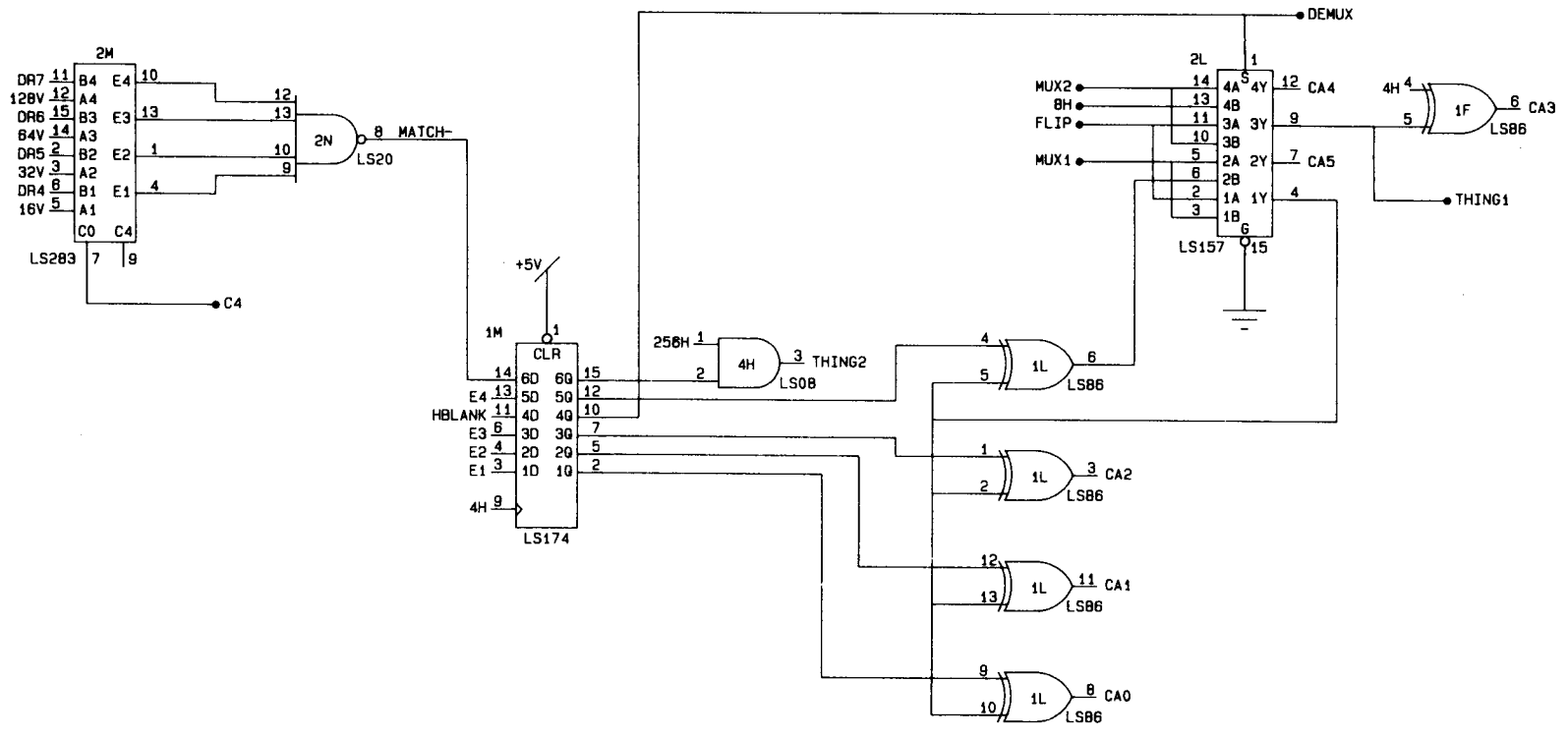
|   |                                 |                      |                   |  |                        |
|---|---------------------------------|----------------------|-------------------|--|------------------------|
| <b>DIM. TOLERANCES</b><br>UNLESS OTHERWISE SPEC.<br>CONCENTRICITY T.I.R. .002<br>FRACTIONAL ..... ± 1/64<br>DECIMAL ..... ± .005<br>HOLE DIA. .... +.002 - .000<br>ANGLE ..... ± 1/2°<br><b>DO NOT SCALE DWG.</b> | FIRST USED ON <b>JR. PACMAN</b> | DATE <b>12/08/83</b> | SCALE <b>FULL</b> | <i>Bally</i> / <b>MIDWAY MFG. CO.</b><br>FRANKLIN PARK, IL 60131 | <b>BLANK GENERATOR</b> |
|   | DRN <b>TBB</b>                  | MECH CHK             | MAT L             |  | ELEC CHK               |
| JR. PACMAN (CONVERSION)<br>LOGIC P.C.<br>A080-91688-CA29  |                                 |                      |                   | PART NO<br><b>M-0-5-1-0-0-A-2-9-C-0-1-0</b>                      |                        |



THIS DWG. IS CONFIDENTIAL & PROPERTY OF BALLY/MIDWAY MFG. CO.

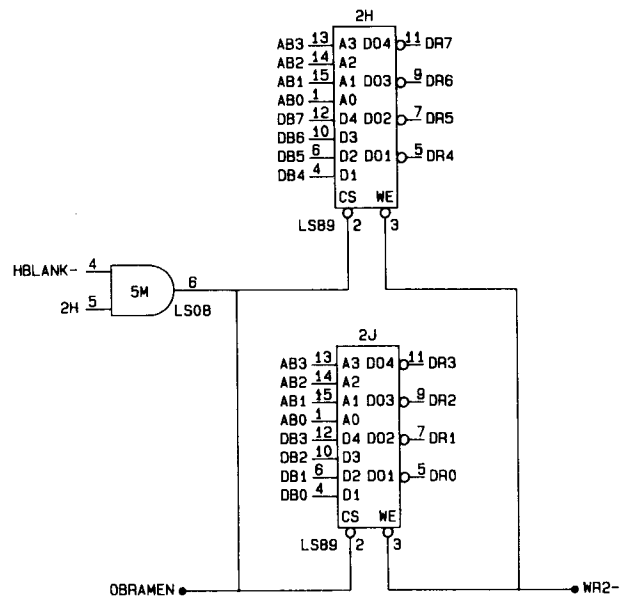
SHEET 14 OF 22

|  |                                 |                      |   |                             |                  |
|--|---------------------------------|----------------------|---|-----------------------------|------------------|
| <b>DIM. TOLERANCES</b><br>UNLESS OTHERWISE SPEC.<br>CONCENTRICITY T.I.R. .002<br>FRACTIONAL ± .164<br>DECIMAL ± .005<br>HOLE DIA. +.002-.000<br>ANGLE ± 1/2°<br><b>DO NOT SCALE DWG.</b> | FIRST USED ON <b>JR. PACMAN</b> | DATE <b>12/08/83</b> | SCALE <b>FULL</b>                           | <br>FRANKLIN PARK, IL 60131 | <b>RESET IRQ</b> |
|  | DRN <b>TBB</b>                  |                      |   |                             | <b>REVISIONS</b> |
|  | MECH. CHK _____                 | MAT'L _____          | PART NO<br><b>M-0-5-1-0-0-A-2-9-C-0-1-0</b> |                             |                  |
|  | ELEC. CHK _____                 | FINISH _____         | <b>A080-91688-CA29</b>                      |                             |                  |



THIS DWG. IS CONFIDENTIAL & PROPERTY OF BALLY/MIDWAY MFG. CO.

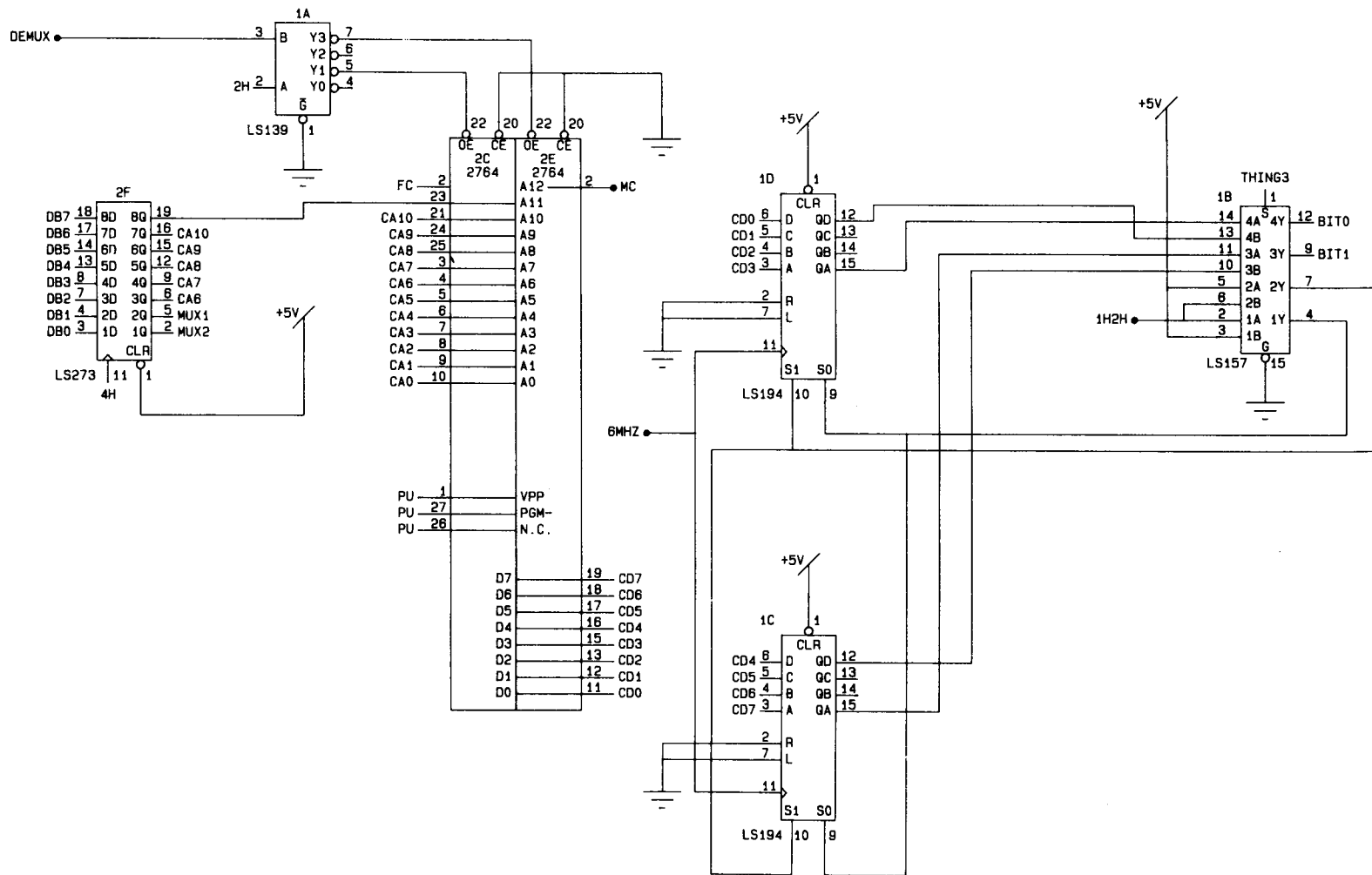
|  |                                 |                      |   |                       |
|--|---------------------------------|----------------------|---|-----------------------|
| <b>DIM. TOLERANCES</b><br>UNLESS OTHERWISE SPEC.<br>CONCENTRICITY T.I.R. .002<br>FRACTIONAL ± 1/64<br>DECIMAL ± .005<br>HOLE DIA. +.002 - .000<br>ANGLE ± 1/2°<br><b>DO NOT SCALE DWG.</b> | FIRST USED ON <b>JR. PACMAN</b> |                      | <b>Bally/MIDWAY MFG. CO.</b><br>FRANKLIN PARK, IL 60131                       | <b>SHEET 15 OF 22</b> |
|  | DRN <b>TBB</b>                  | DATE <b>12/08/83</b> |   | SCALE <b>FULL</b>     |
|  | MECH. CHK.                      | MAT. I.              | <b>JR. PACMAN (CONVERSION)</b><br><b>LOGIC P.C.</b><br><b>A080-91688-CA29</b> | <b>REVISIONS</b>      |
|  | ELEC. CHK.                      | FINISH               | PART NO<br><b>M-0-5-1-0-0-A-2-9-C-0-1-0</b>                                   |                       |



THIS DWG. IS CONFIDENTIAL & PROPERTY OF BALLY/MIDWAY MFG. CO.

SHEET 16 OF 22

|  |   |   |                   |   |
|--|---|---|-------------------|---|
| <b>DIM. TOLERANCES</b><br>UNLESS OTHERWISE SPEC.<br>CONCENTRICITY T.I.R. .002<br>FRACTIONAL ± .164<br>DECIMAL ± .005<br>HOLE DIA. +.002-.000<br>ANGLE ± 1/2°<br><b>DO NOT SCALE DWG.</b> | FIRST USED ON <b>JR. PACMAN</b>                       | <b>Bally/MIDWAY MFG. CO.</b><br>FRANKLIN PARK, IL 60131                       | <b>OBJECT RAM</b> |   |
|  | DRN <b>TBB</b> DATE <b>12/08/83</b> SCALE <b>FULL</b> |   | <b>REVISIONS</b>  |   |
|  | MECH. CHK _____ MAT'L _____                           | <b>JR. PACMAN (CONVERSION)</b><br><b>LOGIC P.C.</b><br><b>A080-91688-CA29</b> |                   | PART NO<br><b>M.O.5.1-0.0.A.2.9-C.0.1.0</b> |
|  | ELEC. CHK _____ FINISH _____                          |   |                   |   |



THIS DWG IS CONFIDENTIAL & PROPERTY OF BALLY/MIDWAY MFG CO

SHEET 17 OF 22

|   |               |                   |             |
|---|---------------|-------------------|-------------|
| <b>DIM. TOLERANCES</b><br>UNLESS OTHERWISE SPEC.<br>CONCENTRICITY T.I.R. 002<br>FRACTIONAL ± 1/64<br>DECIMAL ± .005<br>HOLE DIA + .002 - .000<br>ANGLE ± 1/2°<br><b>DO NOT SCALE DWG.</b> | FIRST USED ON | <b>JR. PACMAN</b> |             |
|   | DRN           | <b>TBB</b>        | DATE        |
|   | MECH CHK      |                   | SCALE       |
|   | ELEC CHK      |                   | <b>FULL</b> |

*Bally*/MIDWAY MFG. CO.  
FRANKLIN PARK, IL 60131

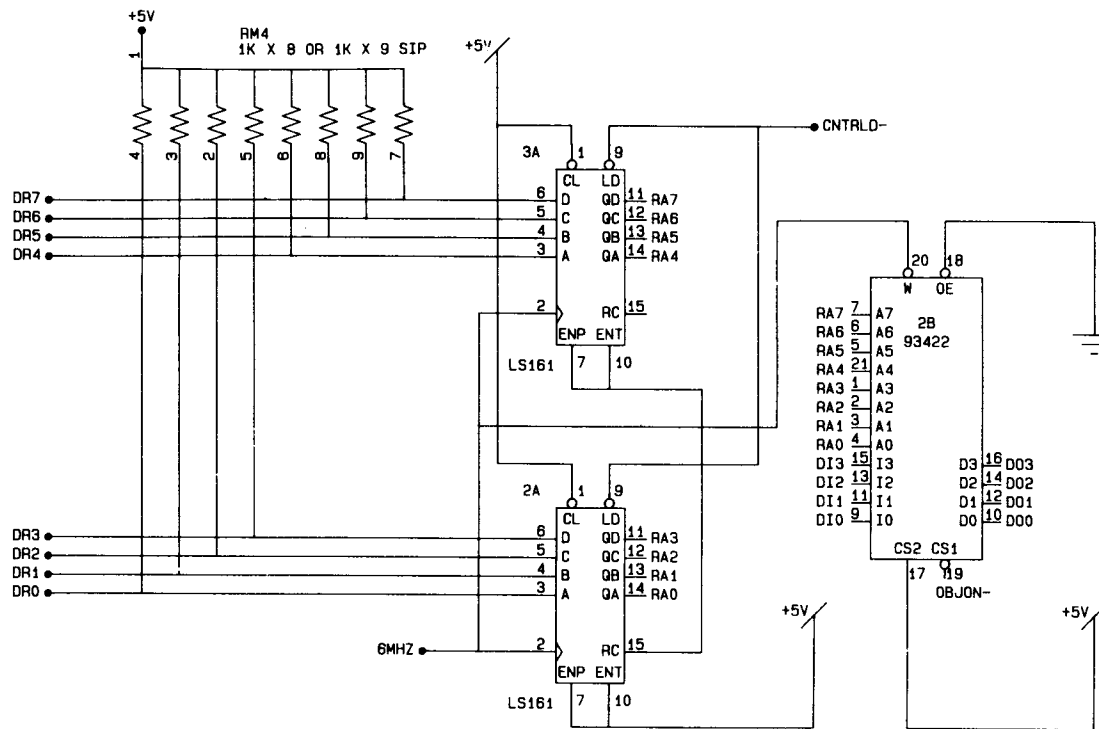
**JR. PACMAN (CONVERSION)**  
**LOGIC P.C.**  
**A080-91688-CA29**

OBJECT ROM

REVISIONS

PART NO  
**M-0-5-1-0-0-A-2-9-C-0-1-0**

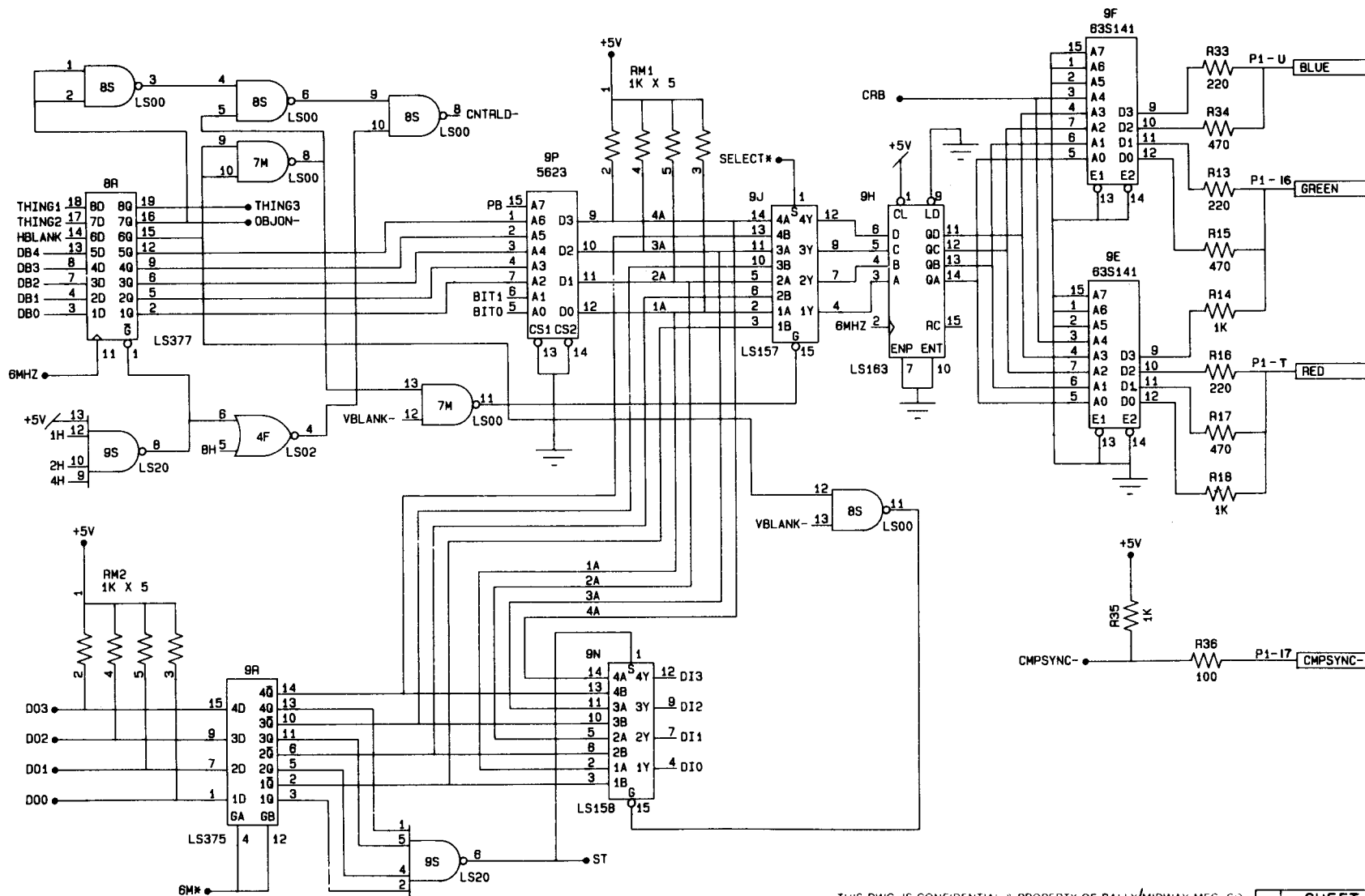




THIS DWG IS CONFIDENTIAL & PROPERTY OF BALLY/MIDWAY MFG CO

SHEET 18 OF 22

|   |                                 |                      |                   |   |                 |                  |   |
|---|---------------------------------|----------------------|-------------------|---|-----------------|------------------|---|
| <b>DIM. TOLERANCES</b><br>UNLESS OTHERWISE SPEC<br>CONCENTRICITY T.I.R. .002<br>FRACTIONAL ± 1/64<br>DECIMAL ± .005<br>HOLE DIA. +.002 - .000<br>ANGLE ± 1/2°<br><b>DO NOT SCALE DWG.</b> | FIRST USED ON <b>JR. PACMAN</b> |                      |                   | <i>Bally</i> / <b>MIDWAY MFG. CO.</b><br>FRANKLIN PARK, IL 60131<br><b>JR. PACMAN (CONVERSION)</b><br><b>LOGIC P.C.</b><br><b>A080-91688-CA29</b> | <b>LINE RAM</b> |                  |   |
|   | DRN <b>788</b>                  | DATE <b>12/08/83</b> | SCALE <b>FULL</b> |   |                 | <b>REVISIONS</b> |   |
|   | MECH CHK                        | MAT'L                |                   |   |                 |                  | PART NO<br><b>M-O-5-1-0-0-A-2-9-C-0-1-0</b> |
|   | ELEC CHK                        | FINISH               |                   |   |                 |                  |   |



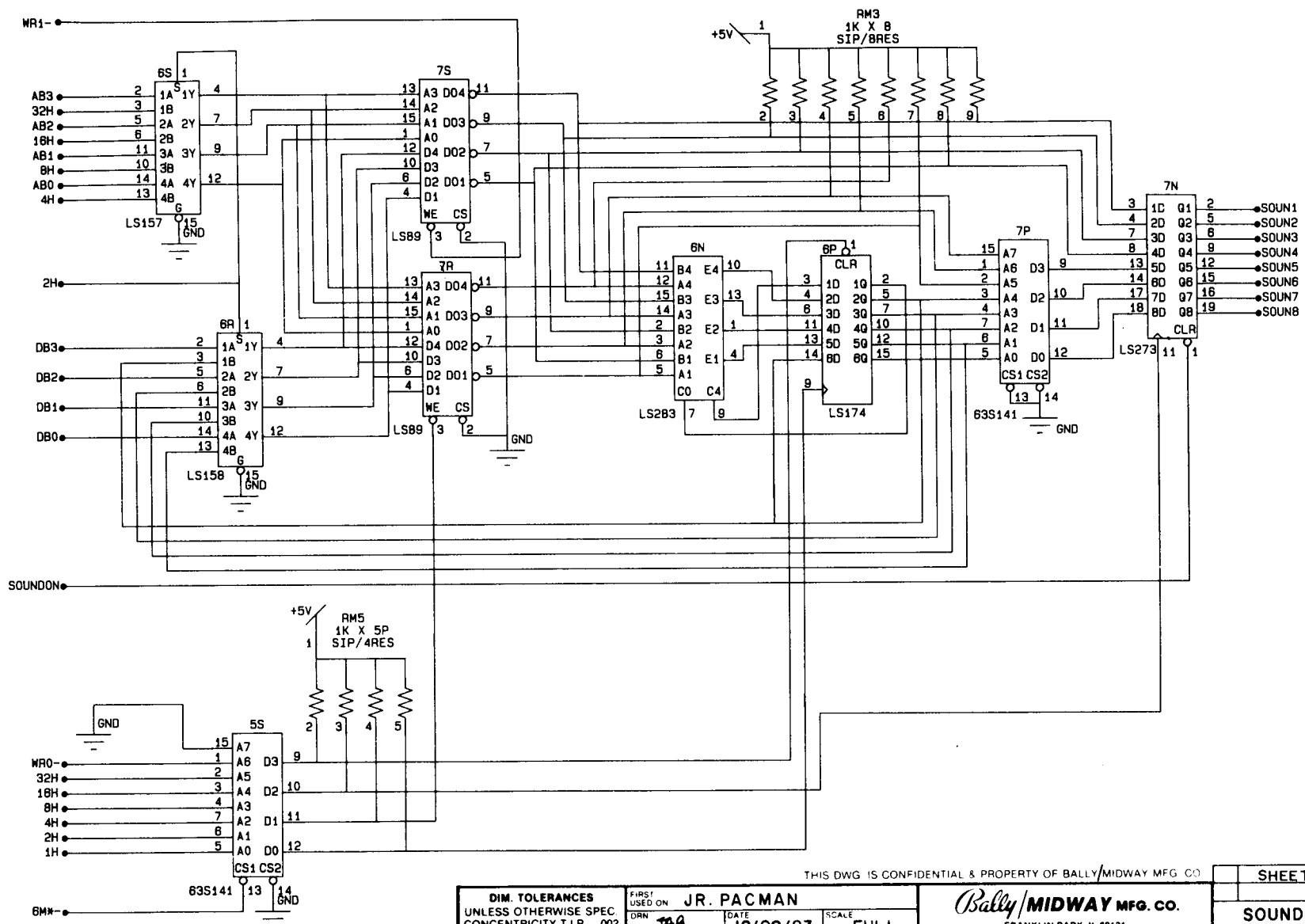
THIS DWG. IS CONFIDENTIAL & PROPERTY OF BALLY/MIDWAY MFG. CO.

SHEET 19 OF 22

|  |               |            |       |
|--|---------------|------------|-------|
| <b>DIM. TOLERANCES</b><br>UNLESS OTHERWISE SPEC.<br>CONCENTRICITY T.I.R. .002<br>FRACTIONAL . . . . . ± .154<br>DECIMAL . . . . . ± .005<br>HOLE DIA. . . . . +.002 - .000<br>ANGLE . . . . . ± 1/2°<br><b>DO NOT SCALE DWG.</b> | FIRST USED ON | JR. PACMAN |       |
|  | DRN           | DATE       | SCALE |
|  | MECH. CHK     | MAT. I     |       |
|  | ELEC. CHK     | FINISH     |       |

|   |  |
|---|--|
| <i>Bally</i> / <b>MIDWAY MFG. CO.</b><br><small>FRANKLIN PARK, IL 60131</small> |  |
| <b>JR. PACMAN (CONVERSION)</b><br><b>LOGIC P.C.</b><br><b>A080-91688-CA29</b>   |  |

|                  |                           |
|------------------|---------------------------|
| <b>COLOR ROM</b> |                           |
| <b>REVISIONS</b> |                           |
| PART NO          | M-O-5-1-0-0-A-2-9-C-0-1-0 |



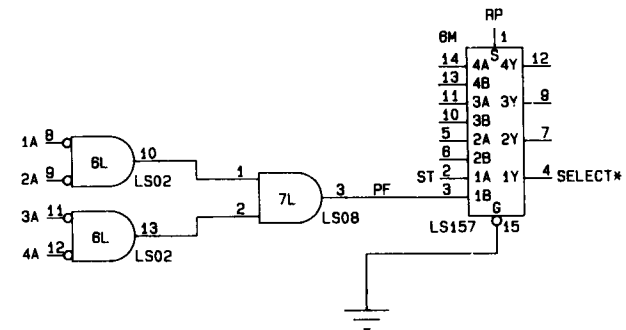
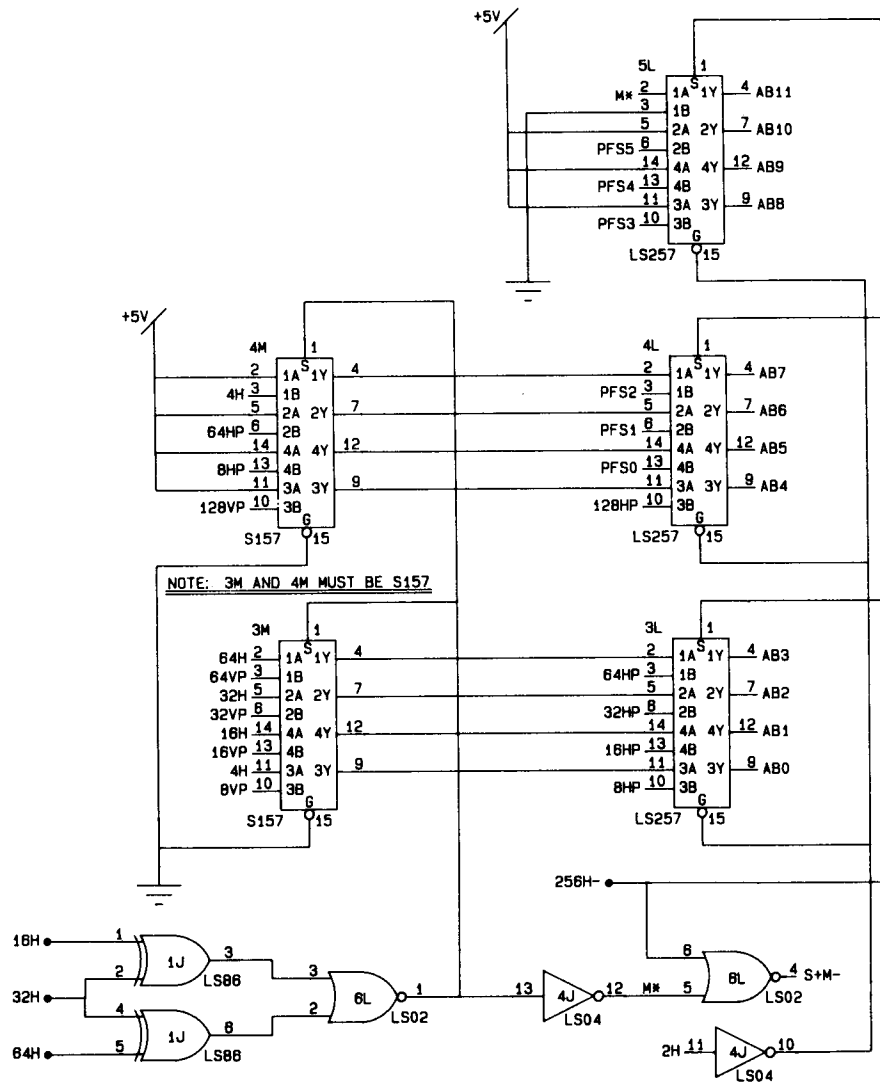
THIS DWG IS CONFIDENTIAL & PROPERTY OF BALLY/MIDWAY MFG CO

SHEET 20 OF 22

|  |               |            |            |
|--|---------------|------------|------------|
| <b>DIM. TOLERANCES</b><br>UNLESS OTHERWISE SPEC<br>CONCENTRICITY T.I.R. .002<br>FRACTIONAL ± 1/64<br>DECIMAL ± .005<br>HOLE DIA. + .002 - .000<br>ANGLE ± 1/2°<br><b>DO NOT SCALE DWG.</b> | FIRST USED ON | JR. PACMAN |            |
|  | DRN           | 12/08/83   | SCALE FULL |
|  | MECH. CHK     |            |            |
|  | ELEC. CHK     |            |            |
|  | FINISH        |            |            |

**Bally/MIDWAY MFG. CO.**  
 FRANKLIN PARK, IL 60131  
 JR. PACMAN (CONVERSION)  
 LOGIC P.C.  
 A080-91688-CA29

|           |                           |
|-----------|---------------------------|
| SOUND     |                           |
| REVISIONS |                           |
| PART NO   | M.O.5.1-0.0.A.2.9-C.0.1.0 |



THIS DWG IS CONFIDENTIAL & PROPERTY OF BALLY/MIDWAY MFG CO

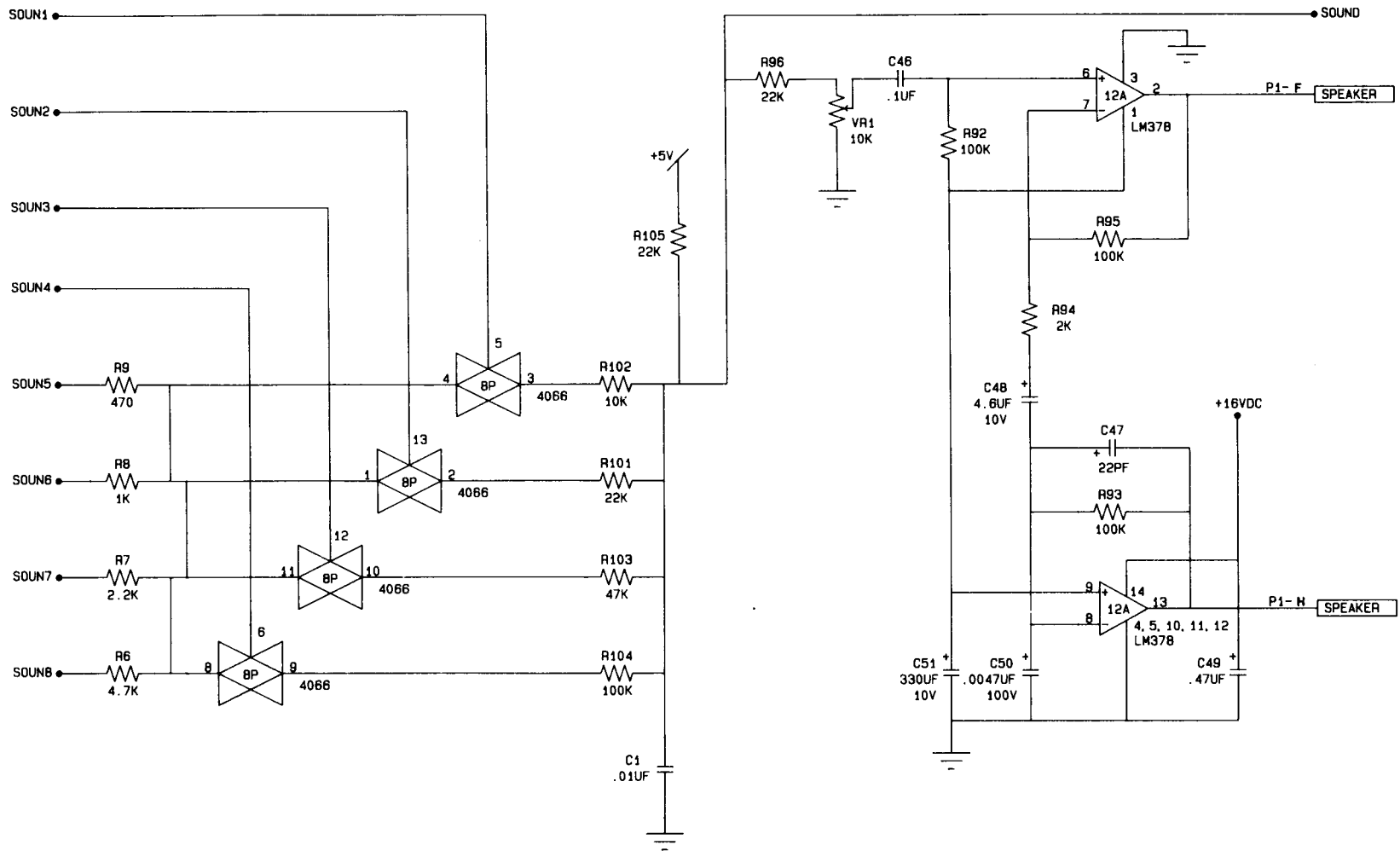
SHEET 21 OF 22

|   |               |            |       |
|---|---------------|------------|-------|
| <b>DIM. TOLERANCES</b><br>UNLESS OTHERWISE SPEC.<br>CONCENTRICITY T.I.R. .002<br>FRACTIONAL ± 1/64<br>DECIMAL ± .005<br>HOLE DIA. + .002 - .000<br>ANGLE ± 1/2°<br><b>DO NOT SCALE DWG.</b> | FIRST USED ON | JR. PACMAN |       |
|   | DRN           | DATE       | SCALE |
|   | MECH CHK      | MAT L      |       |
|   | ELEC CHK      | FINISH     |       |

**Bally/MIDWAY MFG. CO.**  
FRANKLIN PARK, IL 60131

JR. PACMAN (CONVERSION)  
LOGIC P.C.  
A080-91688-CA29

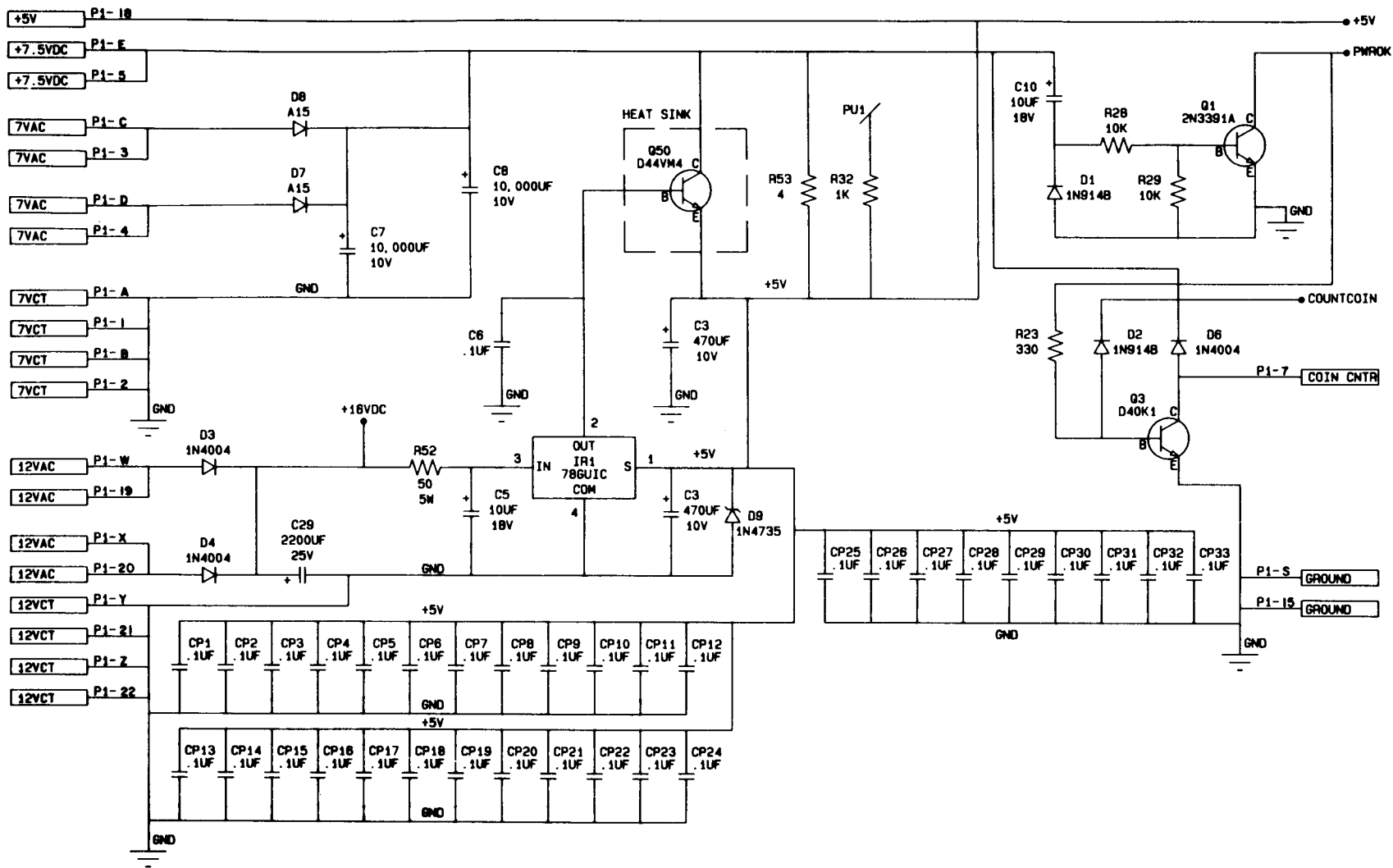
PROMPT / STAMP VIDEO  
REVISIONS  
PART NO  
M.O.5.1-0.0.A.2.9-C.0.1.0



THIS DWG. IS CONFIDENTIAL & PROPERTY OF BALLY/MIDWAY MFG. CO.

SHEET 22 OF 22

|  |                                 |                      |   |   |                        |
|--|---------------------------------|----------------------|---|---|------------------------|
| <b>DIM. TOLERANCES</b><br>UNLESS OTHERWISE SPEC.<br>CONCENTRICITY T.I.R. .002<br>FRACTIONAL ± 1/64<br>DECIMAL ± .005<br>HOLE DIA. +.002-.000<br>ANGLE ± 1/2°<br><b>DO NOT SCALE DWG.</b> | FIRST USED ON <b>JR. PACMAN</b> | DATE <b>12/08/83</b> | SCALE <b>FULL</b>                         | <br><b>Bally/MIDWAY MFG. CO.</b><br>FRANKLIN PARK, IL 60131 | <b>AUDIO AMPLIFIER</b> |
|  | DRN <b>TBB</b>                  |                      |   |   | <b>REVISIONS</b>       |
|  | MECH. CHK.                      | MAT.                 | PART NO. <b>M-0-5-1-0-0-A-2-9-C-0-1-0</b> |   |                        |
|  | ELEC. CHK.                      | FINISH               | <b>A080-91688-CA29</b>                    |   |                        |



THIS DWG IS CONFIDENTIAL & PROPERTY OF BALLY/MIDWAY MFG CO

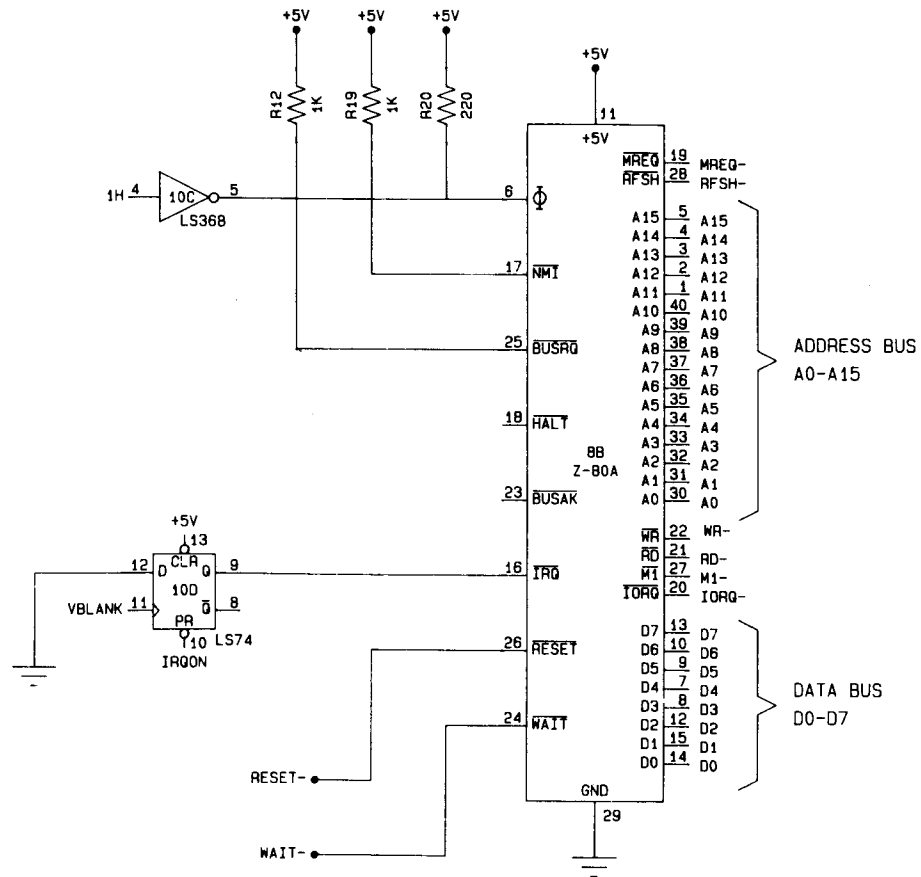
SHEET 1 OF 22

|   |               |            |            |
|---|---------------|------------|------------|
| <b>DIM. TOLERANCES</b><br>UNLESS OTHERWISE SPEC.<br>CONCENTRICITY T.I.R. .002<br>FRACTIONAL ± 1/64<br>DECIMAL ± .005<br>HOLE DIA. + .002 - .000<br>ANGLE ± 1/2°<br><b>DO NOT SCALE DWG.</b> | FIRST USED ON | JR. PACMAN |            |
|   | DRN           | 100        | SCALE FULL |
|   | DATE          | 11/29/83   |            |
|   | MECH. CHK     |            |            |
| ELEC. CHK   |               |            |            |

**Bally/MIDWAY MFG. CO.**  
FRANKLIN PARK, IL 60131

JR. PACMAN (FIELD KIT)  
LOGIC P.C.  
A080-91694-BA29

| REVISIONS |                          |
|-----------|--------------------------|
| PART NO   | M 080-1-00-A-2-9-B-0-1-4 |



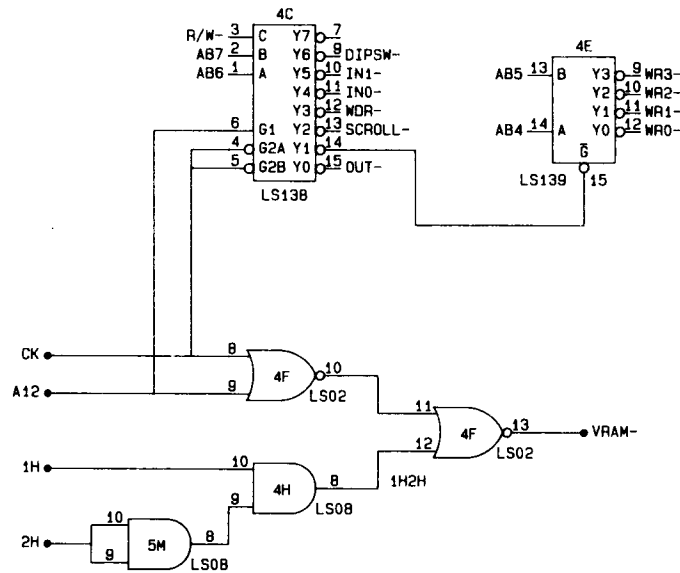
THIS DWG IS CONFIDENTIAL & PROPERTY OF BALLY/MIDWAY MFG CO.

SHEET 2 OF 22

|  |               |            |               |
|--|---------------|------------|---------------|
| <b>DIM. TOLERANCES</b><br>UNLESS OTHERWISE SPEC<br>CONCENTRICITY TIR .002<br>FRACTIONAL ± 1/64<br>DECIMAL ± .005<br>HOLE DIA + .002 - .000<br>ANGLE ± 1/2°<br><b>DO NOT SCALE DWG.</b> | FIRST USED ON | JR. PACMAN |               |
|  | DRN           | 700        | DATE 11/29/83 |
|  | MECH CKR      |            | SCALE FULL    |
|  | ELEC CKR      |            | FINISH        |

|  |  |
|--|--|
| <i>Bally</i> /MIDWAY MFG. CO.<br>FRANKLIN PARK, IL 60131   |  |
| JR. PACMAN (FIELD KIT)<br>LOGIC P.C.<br>A 080-91694 - BA29 |  |

|           |                           |
|-----------|---------------------------|
| CPU       |                           |
| REVISIONS |                           |
| PART NO   | M-0-5-1-0-0-A-2-9-B-0-1-4 |

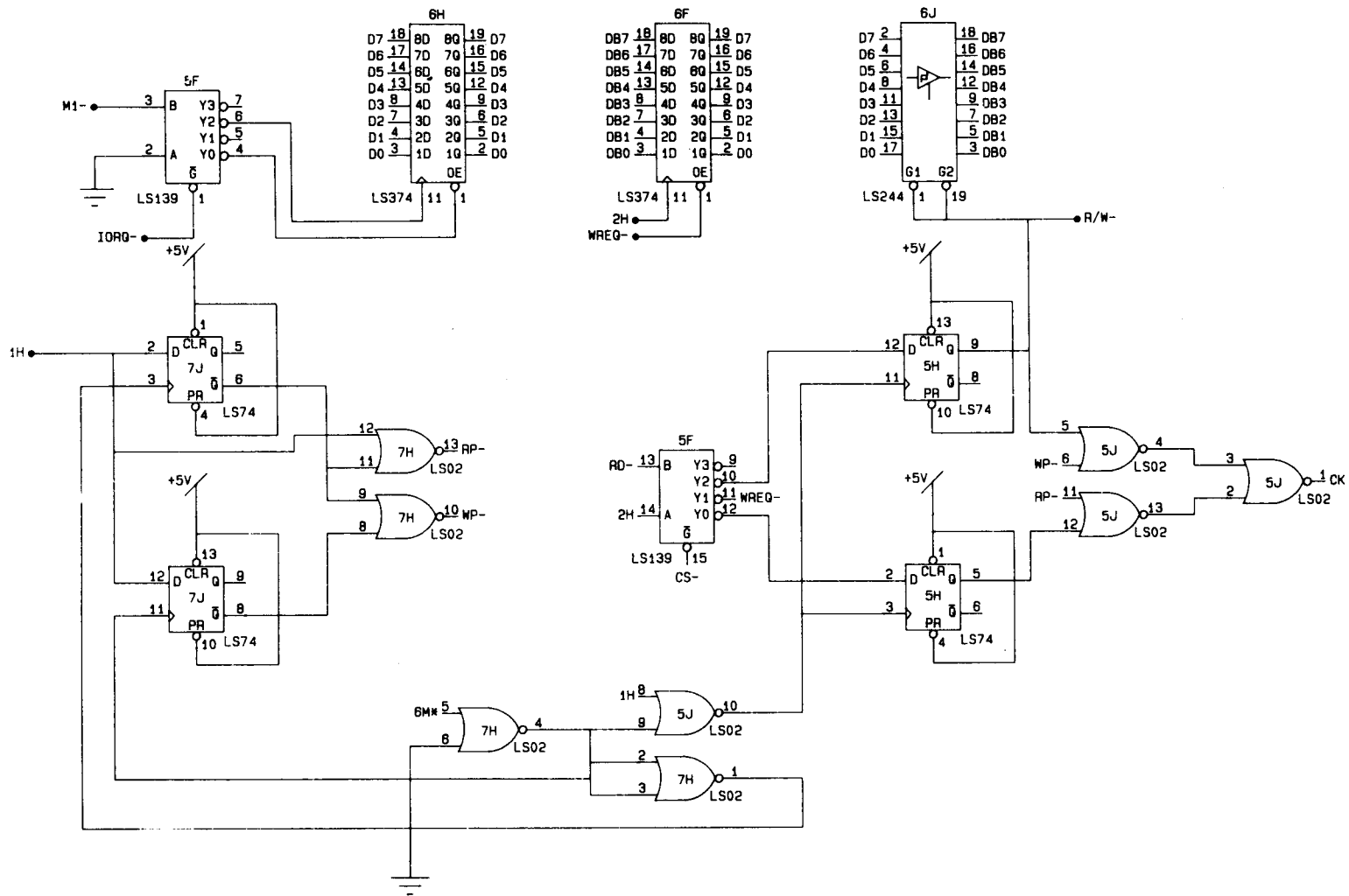


THIS DWG. IS CONFIDENTIAL & PROPERTY OF BALLY/MIDWAY MFG. CO.

SHEET 3 OF 22

|  |   |   |  |  |  |
|--|---|---|--|--|--|
| <b>DIM. TOLERANCES</b><br>UNLESS OTHERWISE SPEC<br>CONCENTRICITY T I R .002<br>FRACTIONAL ± 1/64<br>DECIMAL ± .005<br>HOLE DIA + .002 - .000<br>ANGLE ± 1/2°<br><b>DO NOT SCALE DWG.</b> | FIRST USED ON <b>JR. PACMAN</b>                       | <i>Bally/MIDWAY</i> MFG. CO.<br>FRANKLIN PARK, IL 60131 | <b>ADDRESS DECODE</b>  |  |  |
|  | DRN <b>100</b> DATE <b>11/29/83</b> SCALE <b>FULL</b> |   | <b>REVISIONS</b>   |  |  |
|  | MECH. CHG. _____ PART _____                           | ELEC. CHG. _____ FINISH _____                           | PART NO<br><b>M-0-5-1-0-0-A-2-9-B-0-1-4</b>                                    |  |  |
|  |   |   | <b>JR. PACMAN (FIELD KIT)</b><br><b>LOGIC P.C.</b><br><b>A080-91694 - BA29</b> |  |  |





THIS DWG IS CONFIDENTIAL & PROPERTY OF BALLY/MIDWAY MFG. CO.

SHEET 4 OF 22

|  |                                 |                      |  |                   |
|--|---------------------------------|----------------------|--|-------------------|
| <b>DIM. TOLERANCES</b><br>UNLESS OTHERWISE SPEC.<br>CONCENTRICITY TIR .002<br>FRACTIONAL ± 1/64<br>DECIMAL ± .005<br>HOLE DIA +.002 - .000<br>ANGLE ± 1/2°<br><b>DO NOT SCALE DWG.</b> | FIRST USED ON <b>JR. PACMAN</b> | DATE <b>11/29/83</b> |  | SCALE <b>FULL</b> |
|  | DRN <b>TBB</b>                  | MECH CHK             |  | MAT'L             |
|  | ELEC CHK                        | FINISH               |  |                   |
|  |                                 |                      |  |                   |

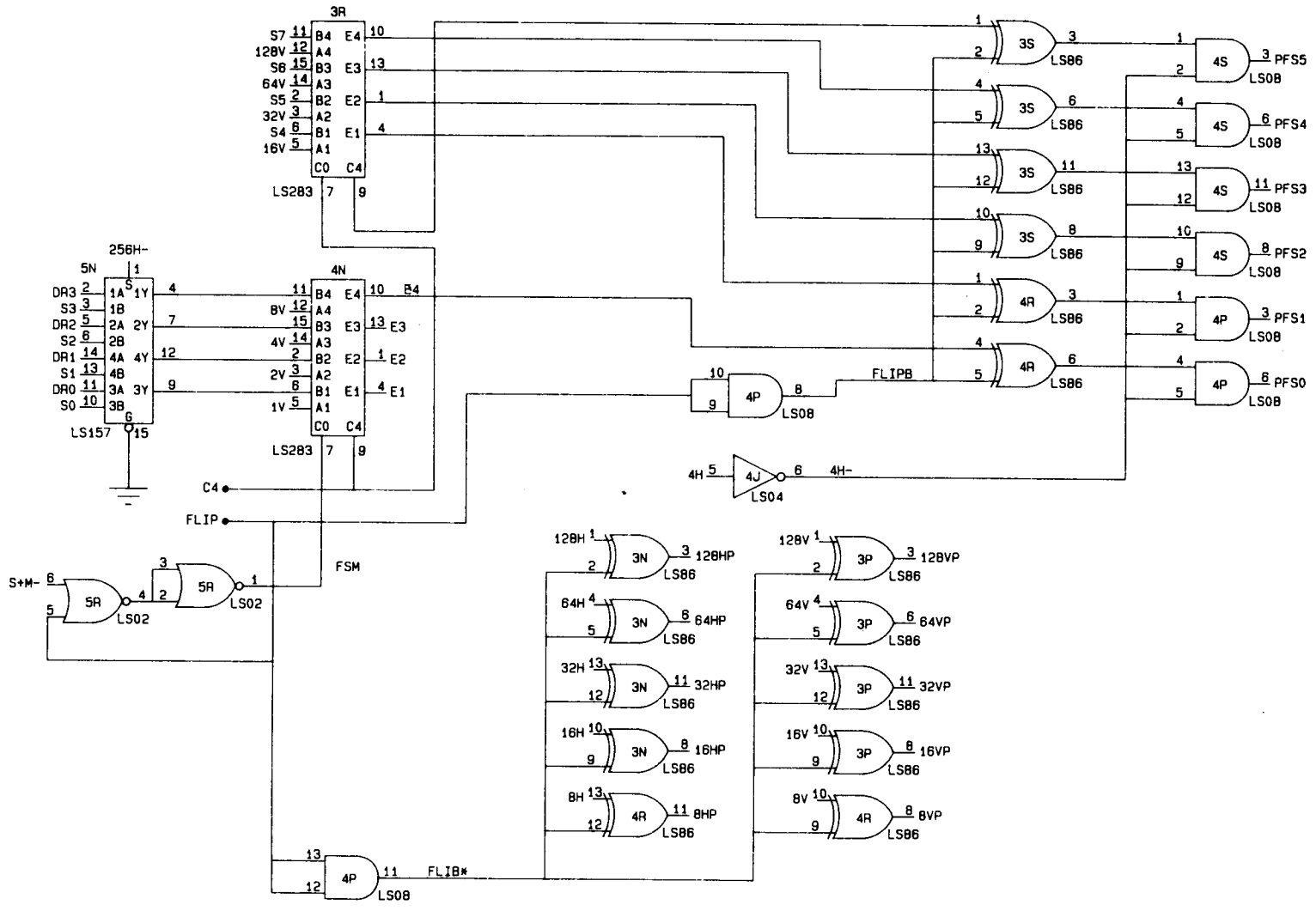
**Bally/MIDWAY MFG. CO.**  
FRANKLIN PARK, IL 60131

**JR. PACMAN (FIELD KIT)**  
LOGIC P.C.  
A080-91694-BA29

**SYNC BUS CONTROLLER**

REVISIONS

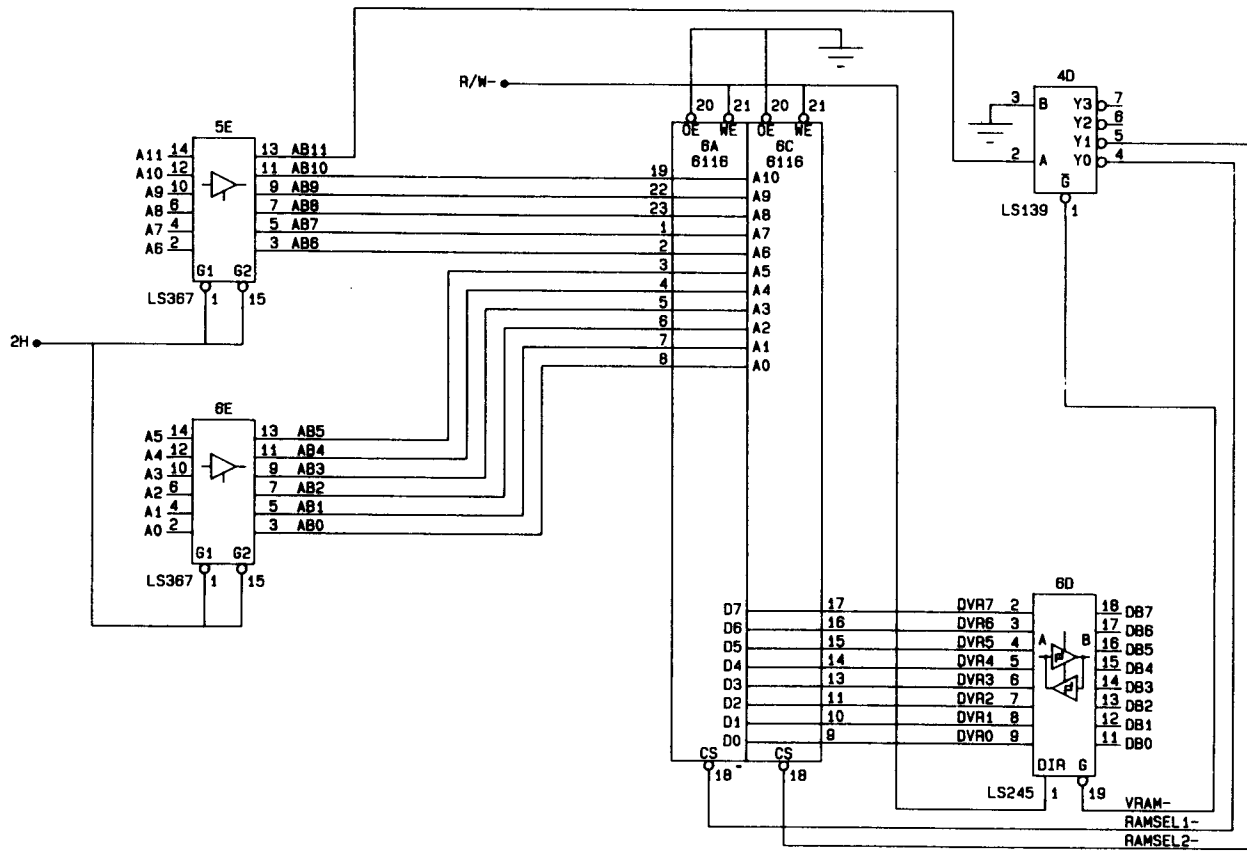
PART NO  
**M.O.5.1-0.0.A.2.9-B.0.1.4**



THIS DWG IS CONFIDENTIAL & PROPERTY OF BALLY/MIDWAY MFG. CO.

SHEET 5 OF 22

|  |  |   |  |
|--|--|---|--|
| <b>DIM. TOLERANCES</b><br>UNLESS OTHERWISE SPEC<br>CONCENTRICITY T I R .002<br>FRACTIONAL ± 1/64<br>DECIMAL ± .005<br>HOLE DIA + .002 - .000<br>ANGLE ± 1/2°<br><b>DO NOT SCALE DWG.</b> | FIRST USED ON<br>DRN <b>700</b> DATE <b>11/29/83</b> SCALE <b>FULL</b> | <b>Bally/MIDWAY MFG. CO.</b><br>FRANKLIN PARK, IL 60131<br><b>JR. PACMAN (FIELD KIT)</b><br>LOGIC P.C.<br>A080-91694-BA29 | <b>SCROLLING / VIDEO</b>   |
|  | MECH CHN MATL<br>ELEC CHN FINISH                                       |   | <b>REVISIONS</b><br>PART NO<br><b>M.O. 5 1 - 0 0 A 2 9 - B 0 1 4</b> |



THIS DWG. IS CONFIDENTIAL & PROPERTY OF BALLY/MIDWAY MFG. CO.

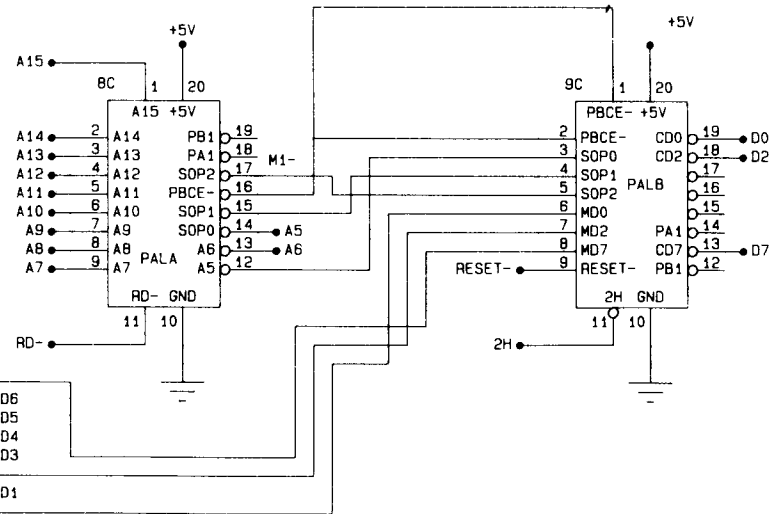
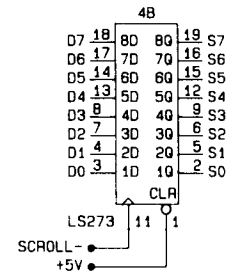
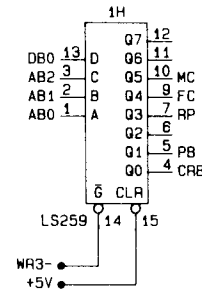
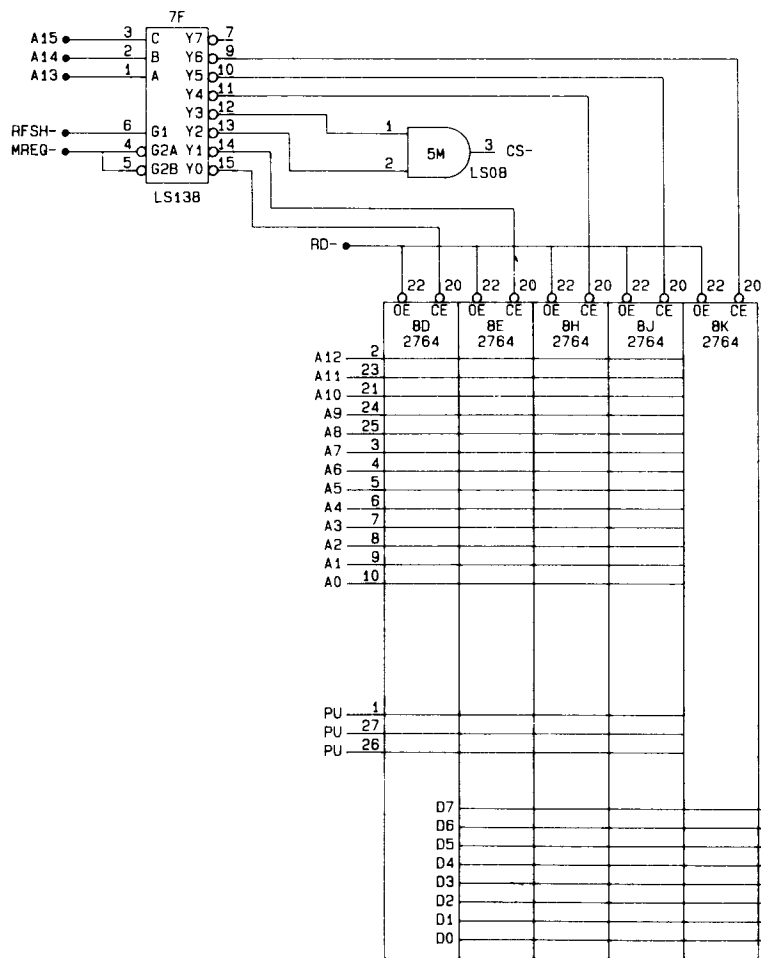
SHEET 6 OF 22

|  |               |                   |       |
|--|---------------|-------------------|-------|
| <b>DIM. TOLERANCES</b><br>UNLESS OTHERWISE SPEC<br>CONCENTRICITY T.I.R. .002<br>FRACTIONAL ± 1/64<br>DECIMAL ± .005<br>HOLE DIA. + .002 - .000<br>ANGLE ± 1/2°<br><b>DO NOT SCALE DWG.</b> | FIRST USED ON | <b>JR. PACMAN</b> |       |
|  | DRN           | DATE              | SCALE |
|  | MECH. CHR.    | MAT.              |       |
|  | ELEC. CHR.    | FINISH            |       |

*Bally*/MIDWAY MFG. CO.  
FRANKLIN PARK, IL 60131

JR. PACMAN (FIELD KIT)  
LOGIC P.C.  
A080-91694 - BA29

|                  |                           |
|------------------|---------------------------|
| <b>RAM</b>       |                           |
| <b>REVISIONS</b> |                           |
| PART NO          | M-0-5-1-0-0-A-2-9-B-0-1-4 |



THIS DRAWING IS THE PROPERTY OF BALLY/MIDWAY MFG. CO.

SHEET 7 OF 22

|   |                                   |  |                  |
|---|-----------------------------------|--|------------------|
| <b>DIM. TOLERANCES</b><br>UNLESS OTHERWISE SPEC<br>CONCENTRICITY TYP. 002<br>FRACTIONAL ± 1/64<br>DECIMAL ± .005<br>HOLE DIA. + .002 - .000<br>ANGLE ± 1.2°<br><b>DO NOT SCALE DWG.</b> | FIRST REVISION<br>QRN: <b>T00</b> | <b>JR. PACMAN</b><br>DATE: <b>11/29/83</b> | ALL: <b>FULL</b> |
|   | MECHANICAL:                       | MAT:                                       |                  |
|   | FILE:                             | FINISH:                                    |                  |
|   |                                   |  |                  |

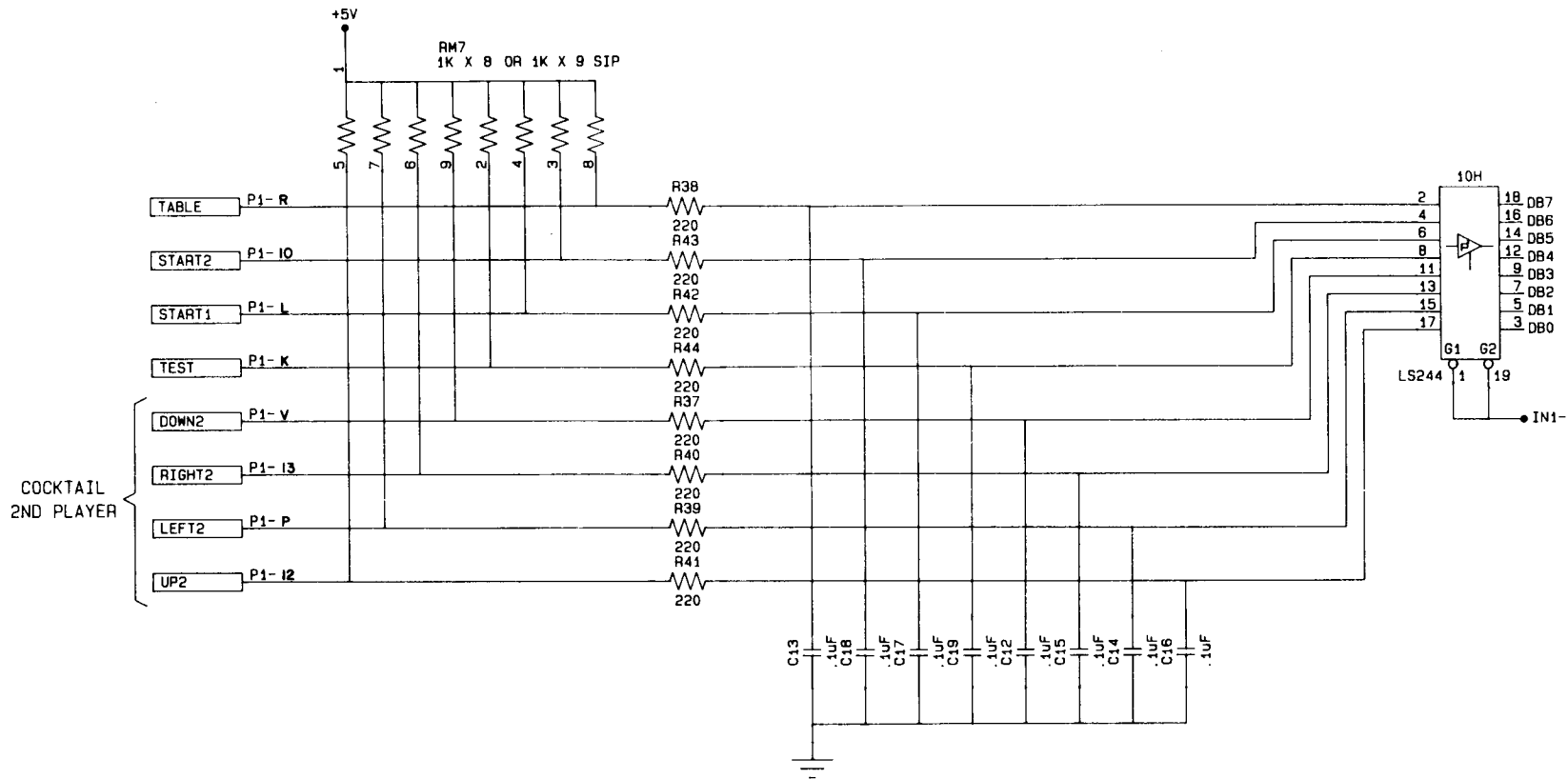
**Bally/MIDWAY MFG. CO.**  
FRANKLIN PARK, IL 60131

**JR. PACMAN (FIELD KIT)**  
LOGIC P.C.  
A080-91694 - BA29

**ROM**

**REVISIONS**

PART NO  
**M05-1-00A-29-B-014**



THIS DWG IS CONFIDENTIAL & PROPERTY OF BALLY/MIDWAY MFG. CO.

SHEET 8 OF 22

|   |               |            |       |
|---|---------------|------------|-------|
| <b>DIM. TOLERANCES</b><br>UNLESS OTHERWISE SPEC.<br>CONCENTRICITY T I R .002<br>FRACTIONAL ± 1/64<br>DECIMAL ± .005<br>HOLE DIA + .002 - .000<br>ANGLE ± 1/2°<br><b>DO NOT SCALE DWG.</b> | FIRST USED ON | JR. PACMAN |       |
|   | DRN           | DATE       | SCALE |
|   | MECH. CHK     | MA'1       |       |
|   | ELEC. CHK     | FINISH     |       |

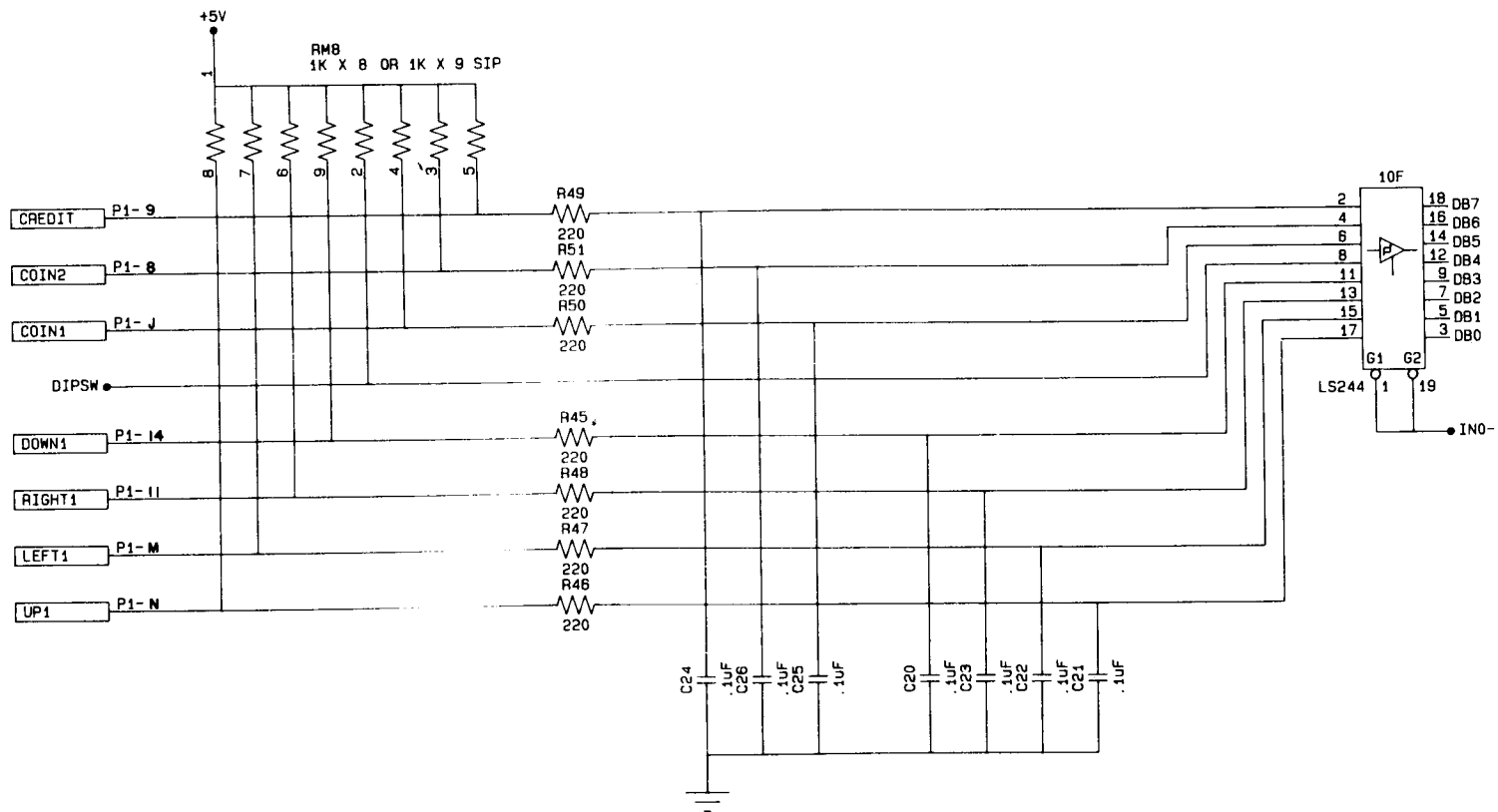
*Bally* / **MIDWAY MFG. CO.**  
FRANKLIN PARK, IL 60131

JR. PACMAN (FIELD KIT)  
LOGIC P.C.  
A080-91694-BA29

DIGITAL IN1

REVISIONS

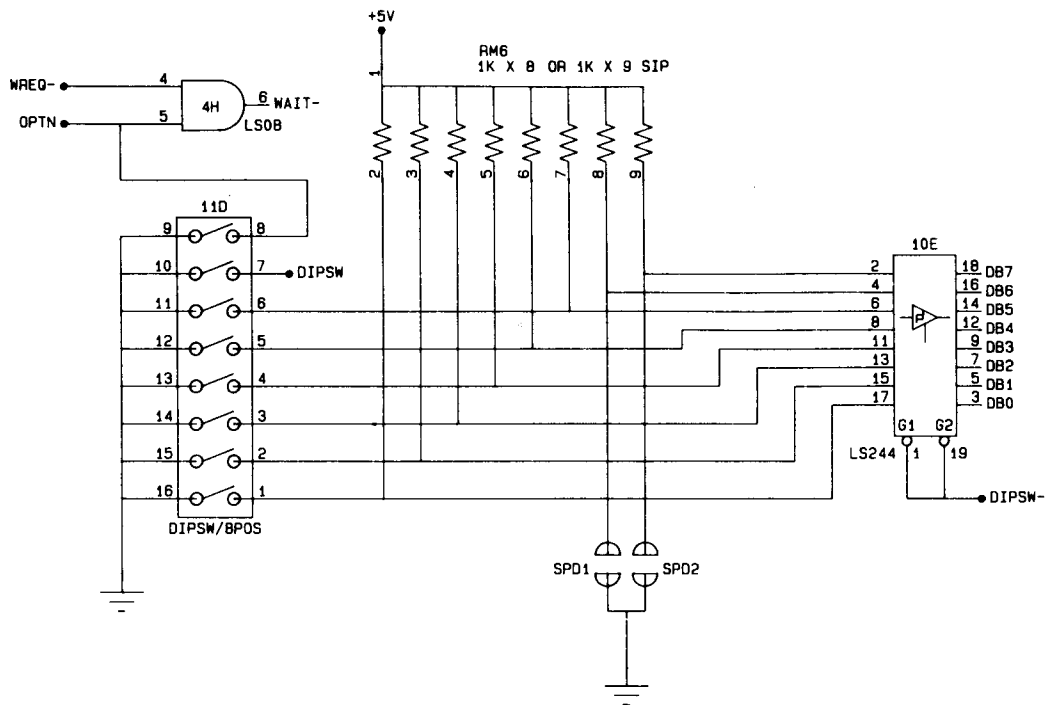
PART NO. M0-5-1-0-0-A-2-9-B-0-1-4



THIS DWG IS CONFIDENTIAL & PROPERTY OF BALLY/MIDWAY MFG. CO.

SHEET 9 OF 22

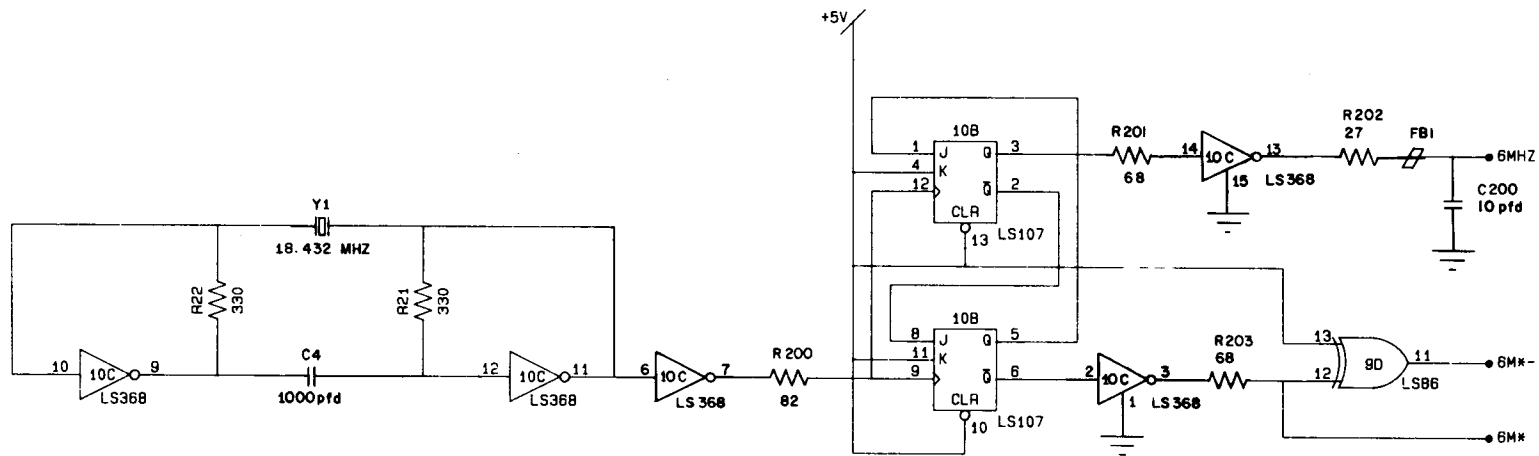
|   |                                 |   |   |                   |
|---|---------------------------------|---|---|-------------------|
| <b>DIM. TOLERANCES</b><br>UNLESS OTHERWISE SPEC<br>CONCENTRICITY T I R .002<br>FRACTIONAL ± 1/64<br>DECIMAL ± .005<br>HOLE DIA +.002 - .000<br>ANGLE ± 1/2°<br><b>DO NOT SCALE DWG.</b> | FIRST USED ON <b>JR. PACMAN</b> | <b>Bally/MIDWAY MFG. CO.</b><br>FRANKLIN PARK, IL 60131 | <b>DIGITAL IN2</b>                          |                   |
|   | DRN <b>TBB</b>                  |   | DATE <b>11/29/83</b>                        | SCALE <b>FULL</b> |
|   | MECH CHR                        | MAT   | <b>JR. PACMAN ( FIELD KIT )</b>             |                   |
|   | ELEC CHR                        | FINISH  | <b>LOGIC P.C.</b><br><b>A080-91694-BA29</b> |                   |



THIS DWG IS CONFIDENTIAL & PROPERTY OF BALLY/MIDWAY MFG. CO.

SHEET 10 OF 22

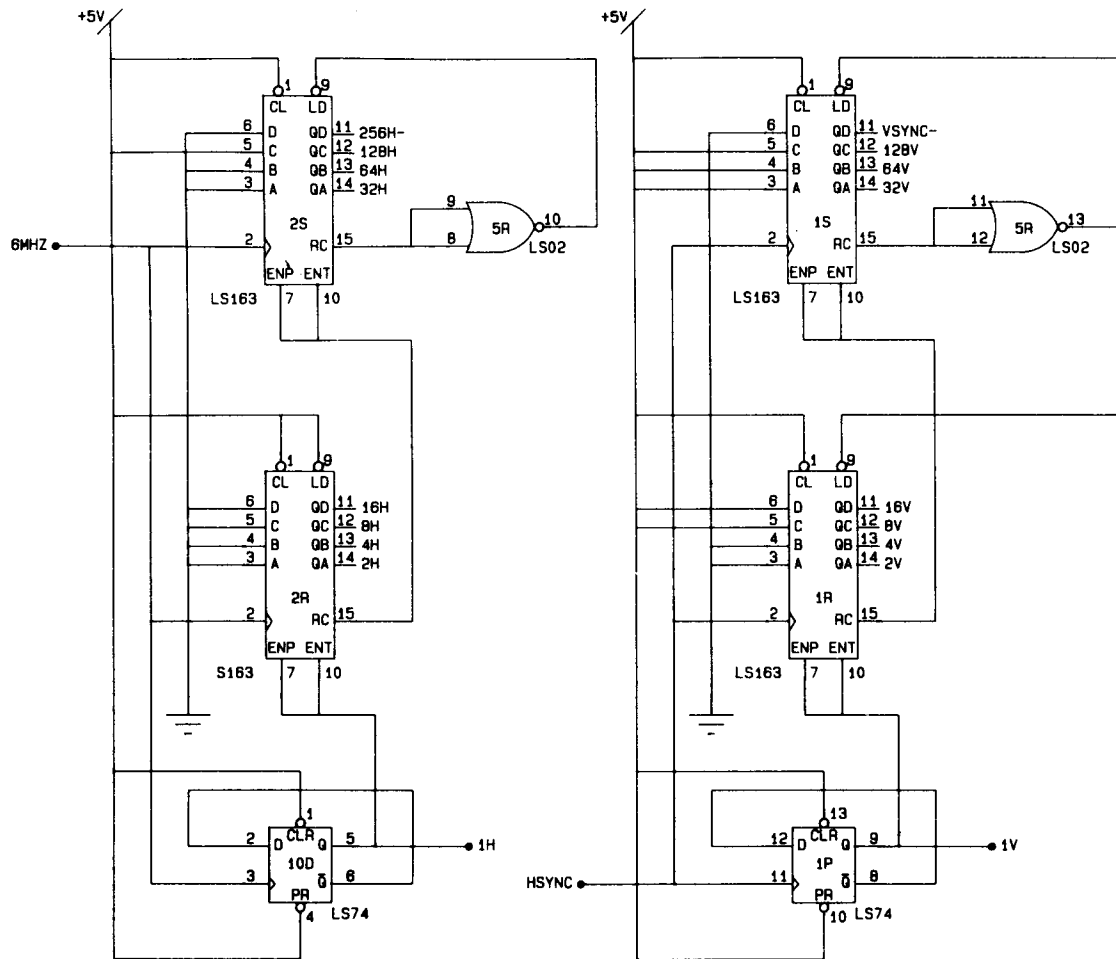
|  |                                 |   |                      |   |   |
|--|---------------------------------|---|----------------------|---|---|
| <b>DIM. TOLERANCES</b><br>UNLESS OTHERWISE SPEC<br>CONCENTRICITY T I R .002<br>FRACTIONAL ± 1/64<br>DECIMAL ± .005<br>HOLE DIA + .002 - .000<br>ANGLE ± 1/2°<br><b>DO NOT SCALE DWG.</b> | FIRST USED ON <b>JR. PACMAN</b> | <i>Bally/MIDWAY</i> MFG. CO.<br>FRANKLIN PARK, IL 60131 |                      |   |   |
|  | DRN <b>TBB</b>                  |   | DATE <b>11/29/83</b> | SCALE <b>FULL</b>                           | <b>DIPSWITCH</b>                            |
|  | MECH CHK                        |   | MAT:                 | <b>JR. PACMAN (FIELD KIT)</b>               | <b>REVISIONS</b>                            |
|  | ELEC CHP                        |   | FINISH               | <b>LOGIC P.C.</b><br><b>A080-91694-BA29</b> | PART NO<br><b>M.O.5.1-0.0.A.2.9-B.0.1.4</b> |



THIS DWG IS CONFIDENTIAL & PROPERTY OF BALLY/MIDWAY MFG. CO.

|  |  |  |                                   |
|--|--|--|-----------------------------------|
| <b>DIM. TOLERANCES</b><br>UNLESS OTHERWISE SPEC<br>CONCENTRICITY T1R .002<br>FRACTIONAL ± 1/64<br>DECIMAL ± .005<br>HOLE DIA + .002 - .000<br>ANGLE ± 1/2°<br><b>DO NOT SCALE DWG.</b> | FIRST USED BY <b>JR. PACMAN</b><br>DWN <b>TBB</b> DATE <b>11/29/83</b> SCALE <b>FULL</b> | <i>Bally</i> / <b>MIDWAY MFG. CO.</b><br>FRANKLIN PARK, IL 60131<br><b>JR. PACMAN (FIELD KIT)</b><br>LOGIC P.C.<br>A080-91694-BA29 | <b>SHEET 11 OF 22</b>             |
|  | MECH CHG _____ DATE _____<br>ELEC CHG _____ DATE _____                                   |  | <b>CLOCK GENERATOR</b>            |
|  | REVISIONS  |  | PART NO<br><b>M051-00A29-B014</b> |
|  |  |  |                                   |





THIS DWG IS CONFIDENTIAL & PROPERTY OF BALLY/MIDWAY MFG. CO.

SHEET 12 OF 22

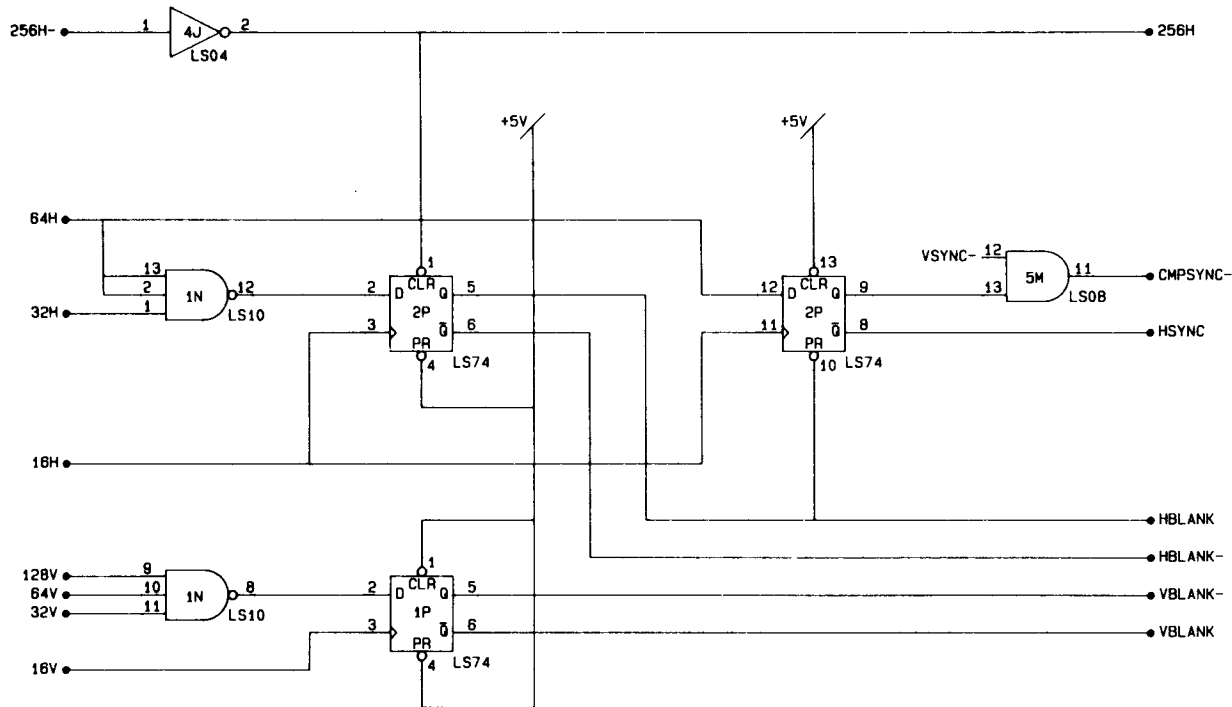
**DIM. TOLERANCES**  
 UNLESS OTHERWISE SPEC  
 CONCENTRICITY T.I.R. .002  
 FRACTIONAL ± 1/64  
 DECIMAL ± .005  
 HOLE DIA. +.002 - .000  
 ANGLE ± 1/2°  
**DO NOT SCALE DWG.**

FIRST USED ON **JR. PACMAN**  
 GRN **700** DATE **11/29/83** REVISE **FULL**  
 MECH. CHR. \_\_\_\_\_ MAT'L \_\_\_\_\_  
 ELEC. CHR. \_\_\_\_\_ FINISH \_\_\_\_\_

*Bally* / **MIDWAY MFG. CO.**  
 FRANKLIN PARK, IL 60131

**JR. PACMAN (FIELD KIT)**  
 LOGIC P.C.  
 A080-91694-BA29

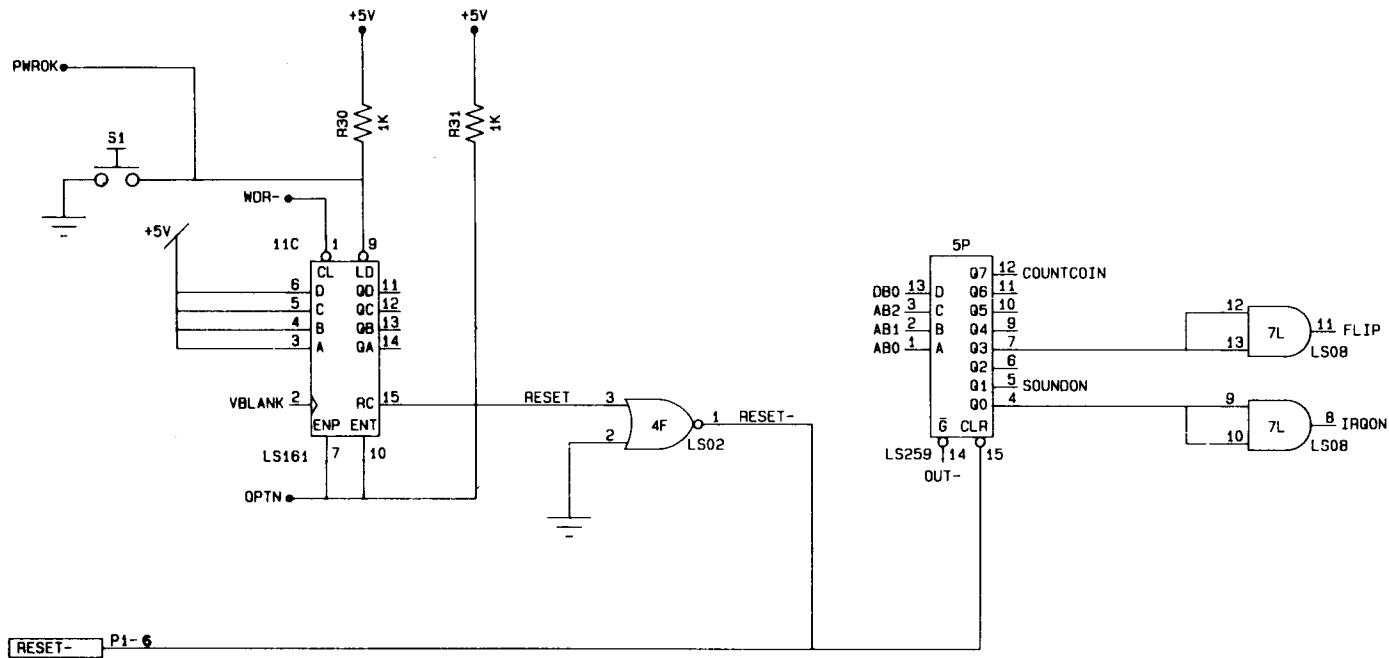
**SYNC GENERATOR**  
 REVISIONS  
 PART NO. **M.O.5.1-0.0.A.2.9-B.0.1.4**



THIS DWG IS CONFIDENTIAL & PROPERTY OF BALLY/MIDWAY MFG CO

SHEET 13 OF 22

|   |  |   |  |
|---|--|---|--|
| <b>DIM. TOLERANCES</b><br>UNLESS OTHERWISE SPEC.<br>CONCENTRICITY T.I.R. .002<br>FRACTIONAL ± .164<br>DECIMAL ± .005<br>HOLE DIA. + .002 - .000<br>ANGLE ± 1/2°<br><b>DO NOT SCALE DWG.</b> | FIRST USED ON <b>JR. PACMAN</b><br>DRN <b>TEB</b> DATE <b>11/29/83</b> SCALE <b>FULL</b> | <b>Bally/MIDWAY MFG. CO.</b><br>FRANKLIN PARK, IL 60131<br><b>JR. PACMAN ( FIELD KIT )</b><br><b>LOGIC P.C.</b><br><b>A080-91694-BA29</b> | <b>BLANK GENERATOR</b>                                       |
|   | MECH. CHK. MAT. ELEC. CHK. FINISH  |   | <b>REVISIONS</b><br>PART NO. <b>M.Q.51-0-0-A-2-9-B-0-1-4</b> |



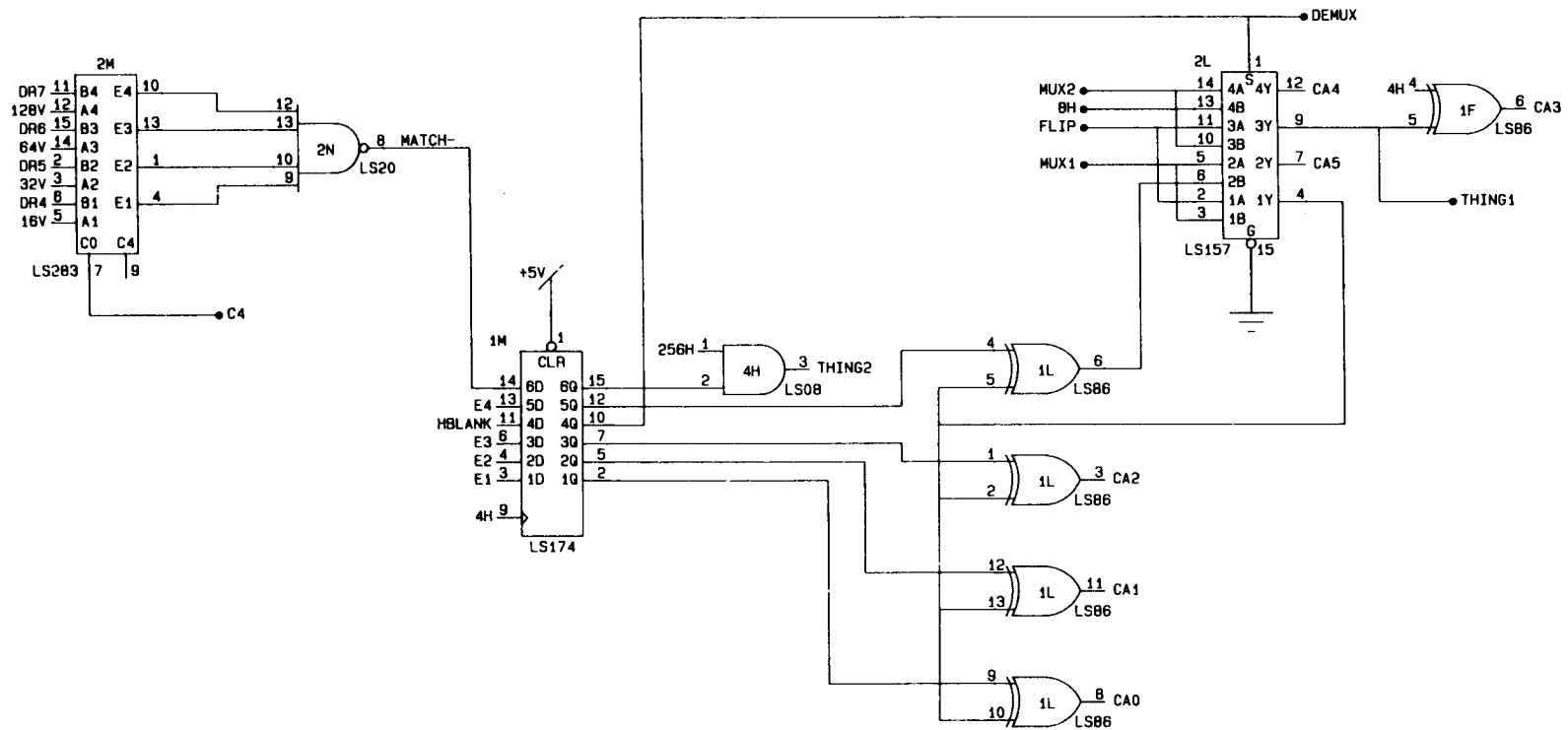
THIS DWG. IS CONFIDENTIAL & PROPERTY OF BALLY/MIDWAY MFG. CO.

SHEET 14 OF 22

|   |  |
|---|--|
| <b>DIM. TOLERANCES</b><br>UNLESS OTHERWISE SPEC.<br>CONCENTRICITY T I R .002<br>FRACTIONAL ± 1/64<br>DECIMAL ± .005<br>HOLE DIA + .002 - .000<br>ANGLE ± 1/2°<br><b>DO NOT SCALE DWG.</b> | FIRST USED ON <b>JR. PACMAN</b><br>DWN <b>TBB</b> DATE <b>11/29/83</b> SCALE <b>FULL</b> |
|   | MECH. CHR. _____ MATL. _____<br>ELEC. CHR. _____ FINISH _____                            |
|   | FRANKLIN PARK, IL 60131  |
|   | A080-91694-BA29  |

**Bally/MIDWAY MFG. CO.**  
 FRANKLIN PARK, IL 60131  
**JR. PACMAN (FIELD KIT)**  
**LOGIC P.C.**  
**A080-91694-BA29**

|                  |                 |
|------------------|-----------------|
| <b>RESET IRQ</b> |                 |
| <b>REVISIONS</b> |                 |
| PART NO          | M051-00A29-B014 |



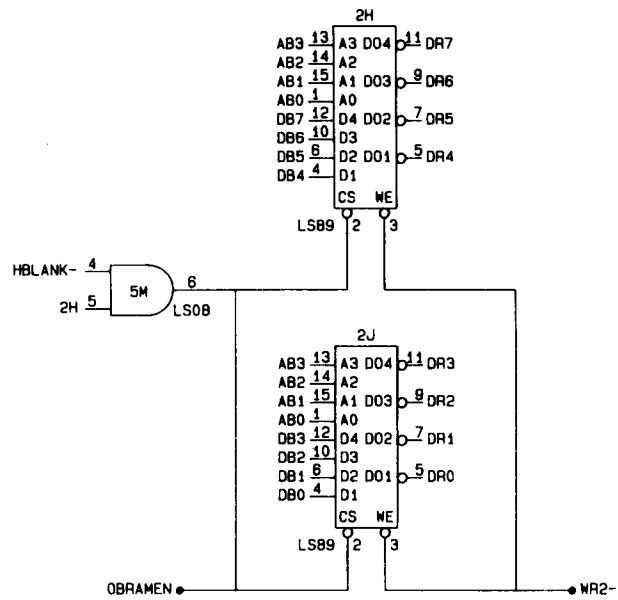
THIS DWG. IS CONFIDENTIAL & PROPERTY OF BALLY/MIDWAY MFG. CO.

SHEET 15 OF 22

|  |                                    |                         |                      |
|--|------------------------------------|-------------------------|----------------------|
| <b>DIM. TOLERANCES</b><br>UNLESS OTHERWISE SPEC<br>CONCENTRICITY T.I.R. 002<br>FRACTIONAL ± 1/64<br>DECIMAL ± .005<br>HOLE DIA + .002 - .000<br>ANGLE ± 1/2°<br><b>DO NOT SCALE DWG.</b> | FIRST USED ON<br><b>JR. PACMAN</b> | DATE<br><b>11/29/83</b> | SCALE<br><b>FULL</b> |
|  | MECH. CHK<br><b>100</b>            | MAT'L                   |                      |
|  | ELEC. CHK                          | FINISH                  |                      |
|  |                                    |                         |                      |

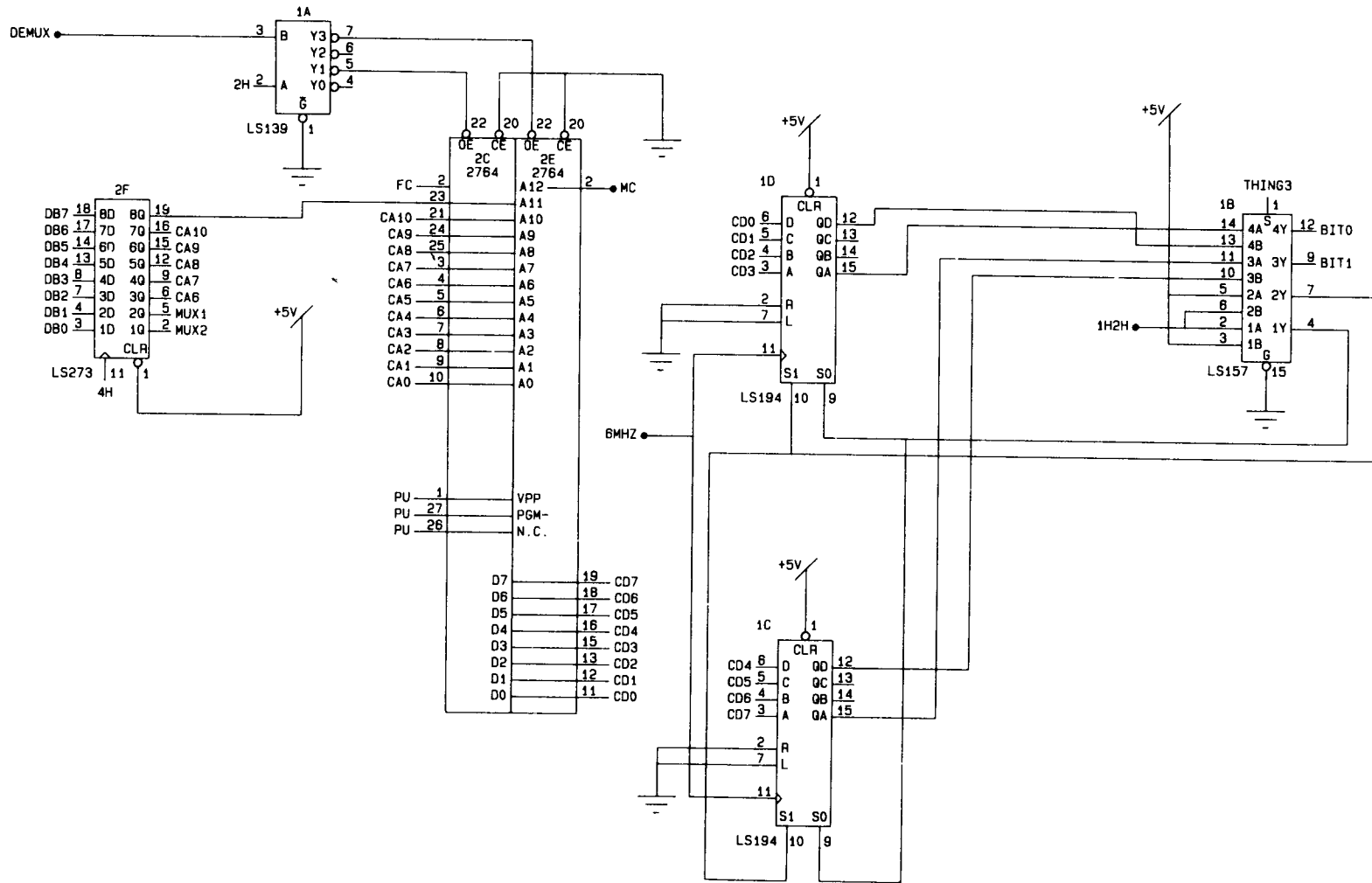
*Bally*/MIDWAY MFG. CO.  
 FRANKLIN PARK, IL 60131  
 JR. PACMAN (FIELD KIT)  
 LOGIC P.C.  
 A080-91694-BA29

|                                   |  |
|-----------------------------------|--|
| <b>VERT. ADDRESS TIMING</b>       |  |
| <b>REVISIONS</b>                  |  |
| PART NO<br><b>M051-00A29-B014</b> |  |



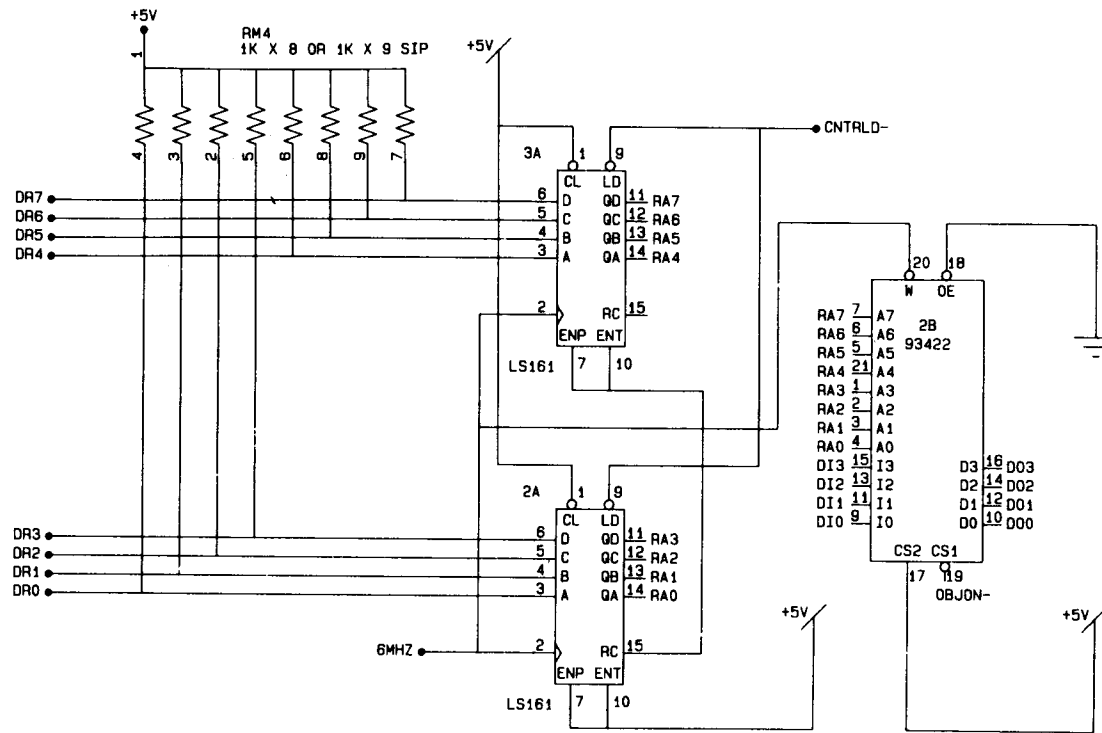
THIS DWG IS CONFIDENTIAL & PROPERTY OF BALLY/MIDWAY MFG. CO.

|   |                                    |                         |                                   |                      |   |  |                   |
|---|------------------------------------|-------------------------|-----------------------------------|----------------------|---|--|-------------------|
| <b>DIM. TOLERANCES</b><br>UNLESS OTHERWISE SPEC<br>CONCENTRICITY TLR .002<br>FRACTIONAL ± 1/64<br>DECIMAL ± .005<br>HOLE DIA +.002 - .000<br>ANGLE ± 1/2°<br><b>DO NOT SCALE DWG.</b> | FIRST USED ON<br><b>JR. PACMAN</b> | DATE<br><b>11/29/83</b> |                                   | SCALE<br><b>FULL</b> | <b>Bally/MIDWAY MFG. CO.</b><br>FRANKLIN PARK, IL 60131 | <b>SHEET 16 OF 22</b>  |                   |
|   | MECH CHN<br><b>TBB</b>             | MAT'L                   | FINISH                            |                      |   | <b>JR. PACMAN (FIELD KIT)</b><br><b>LOGIC P.C.</b><br><b>A080-91694-BA29</b> | <b>OBJECT RAM</b> |
|   | ELEC CHN                           | FINISH                  | FART NO<br><b>M051-00A29-B014</b> |                      |   |  |                   |
|   |                                    |                         |                                   |                      |   |  |                   |



THIS DWG. IS CONFIDENTIAL & PROPERTY OF BALLY/MIDWAY MFG. CO.

|  |  |   |   |
|--|--|---|---|
| <b>DIM. TOLERANCES</b><br>UNLESS OTHERWISE SPEC<br>CONCENTRICITY T I R .002<br>FRACTIONAL ± 1/64<br>DECIMAL ± .005<br>HOLE DIA + .002 - .000<br>ANGLE ± 1/2°<br><b>DO NOT SCALE DWG.</b> | FIRST USED ON <b>JR. PACMAN</b><br>DWN <b>TDB</b> DATE <b>11/29/83</b> SCALE <b>FULL</b> | <b>Bally/MIDWAY MFG. CO.</b><br>FRANKLIN PARK, IL 60131<br><b>JR. PACMAN (FIELD KIT)</b><br>LOGIC P.C.<br>A080-91694-BA29 | SHEET 17 OF 22                              |
|  | MECH ENGR _____<br>DATE _____<br>ELEC ENGR _____<br>FINISH _____                         |   | <b>OBJECT ROM</b>                           |
|  | REVISIONS  |   | PART NO<br><b>M-0-5-1-0-0-A-2-9-B-0-1-4</b> |
|  | _____<br>_____<br>_____  |   | _____<br>_____<br>_____                     |



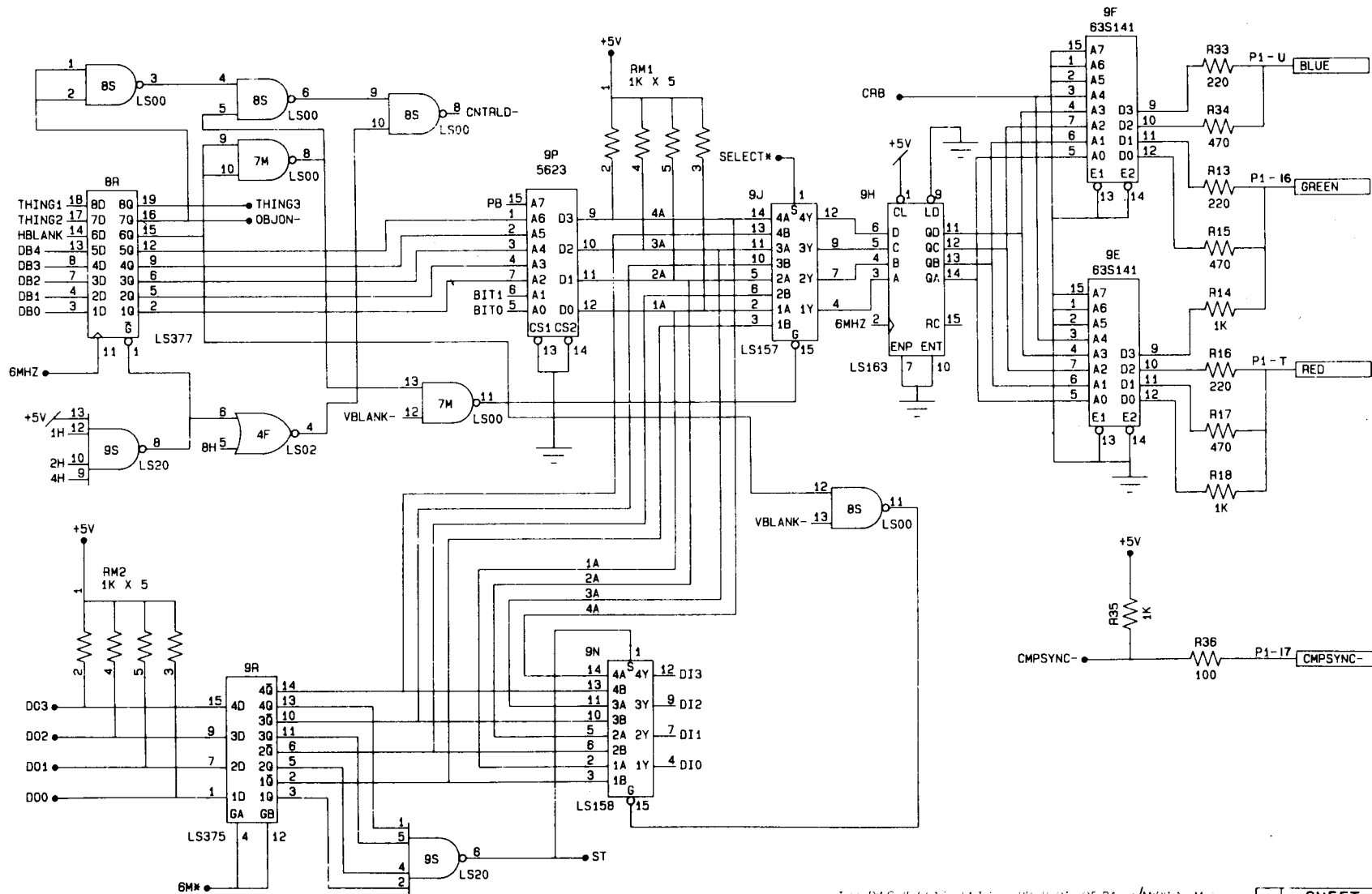
THIS DWG IS CONFIDENTIAL & PROPERTY OF BALLY/MIDWAY MFG. CO.

|   |                                 |                      |                 |
|---|---------------------------------|----------------------|-----------------|
| <b>DIM. TOLERANCES</b><br>UNLESS OTHERWISE SPEC<br>CONCENTRICITY T.I.R. 002<br>FRACTIONAL ± 1/64<br>DECIMAL ± .005<br>HOLE DIA +.002 - .000<br>ANGLE ± 1/2°<br><b>DO NOT SCALE DWG.</b> | FIRST USED ON <b>JR. PACMAN</b> |                      |                 |
|   | DRN <b>TBB</b>                  | DATE <b>11/29/83</b> | ALL <b>FULL</b> |
|   | MECH CHK                        | MATL                 |                 |
|   | ELEC CHK                        | FINISH               |                 |

*Bally*/MIDWAY MFG. CO.  
FRANKLIN PARK, IL 60131

JR. PACMAN (FIELD KIT)  
LOGIC P.C.  
A080-91694-BA29

|                |                           |
|----------------|---------------------------|
| SHEET 18 OF 22 |                           |
| LINE           | RAM                       |
| REVISIONS      |                           |
| PART NO        | M.O.5.1-0.0.A.2.9-B.0.1.4 |



THIS DRAWING IS ONE OF THE PARTS OF BALLY/MIDWAY MODEL

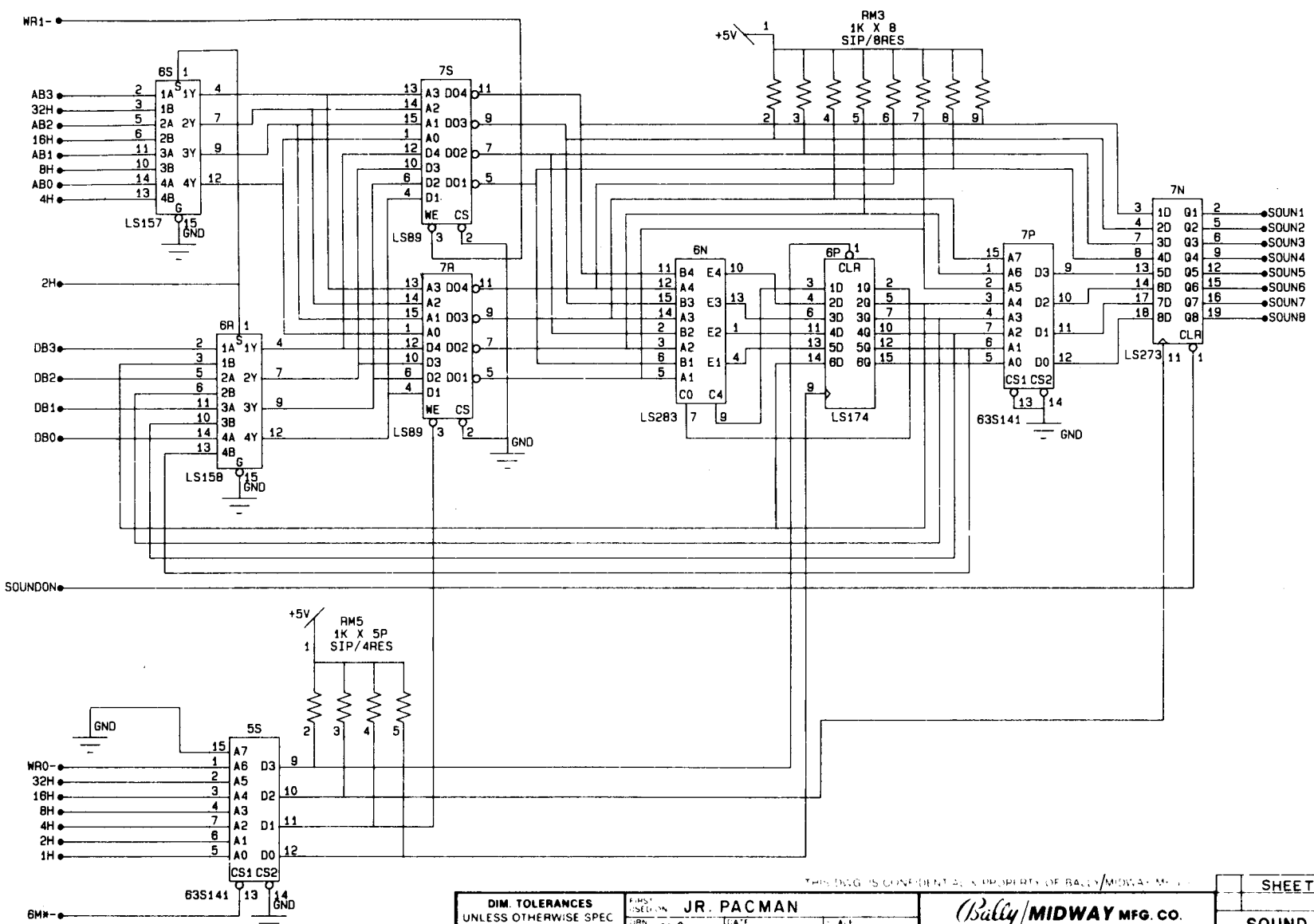
SHEET 19 OF 22

|  |  |                       |                    |
|--|--|-----------------------|--------------------|
| <b>DIM. TOLERANCES</b><br>UNLESS OTHERWISE SPEC<br>CONCENTRICITY T I R .002<br>FRACTIONAL ± 1/64<br>DECIMAL ± .005<br>HOLE DIA + .002 - .000<br>ANGLE ± 1/2°<br><b>DO NOT SCALE DWG.</b> | PART USED IN: <b>JR. PACMAN</b><br>DWN: <b>TBB</b> | DATE: <b>11/29/83</b> | SCALE: <b>FULL</b> |
|  | MECHANICAL:  | FINISH:               |                    |
|  | FREE CHG:  |                       |                    |
|  |  |                       |                    |

**Bally/MIDWAY MFG. CO.**  
 FRANKLIN PARK, IL 60131  
**JR. PACMAN (FIELD KIT)**  
 LOGIC P.C.  
 A080-91694-BA29

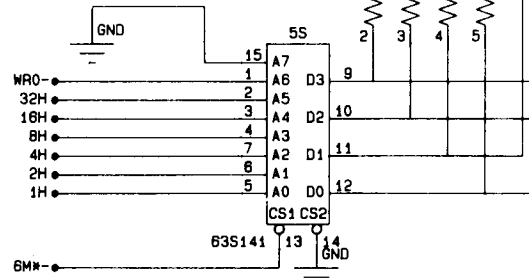
|                                 |
|---------------------------------|
| <b>COLOR ROM</b>                |
| <b>REVISIONS</b>                |
| PART NO<br><b>M05100A29B014</b> |





THIS DRAWING IS CONFIDENTIAL & PROPERTY OF BALLY/MIDWAY MFG. CO.

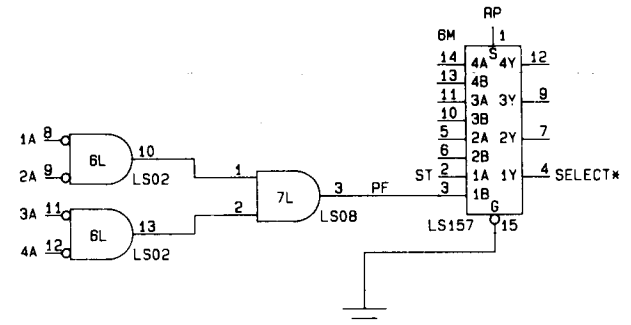
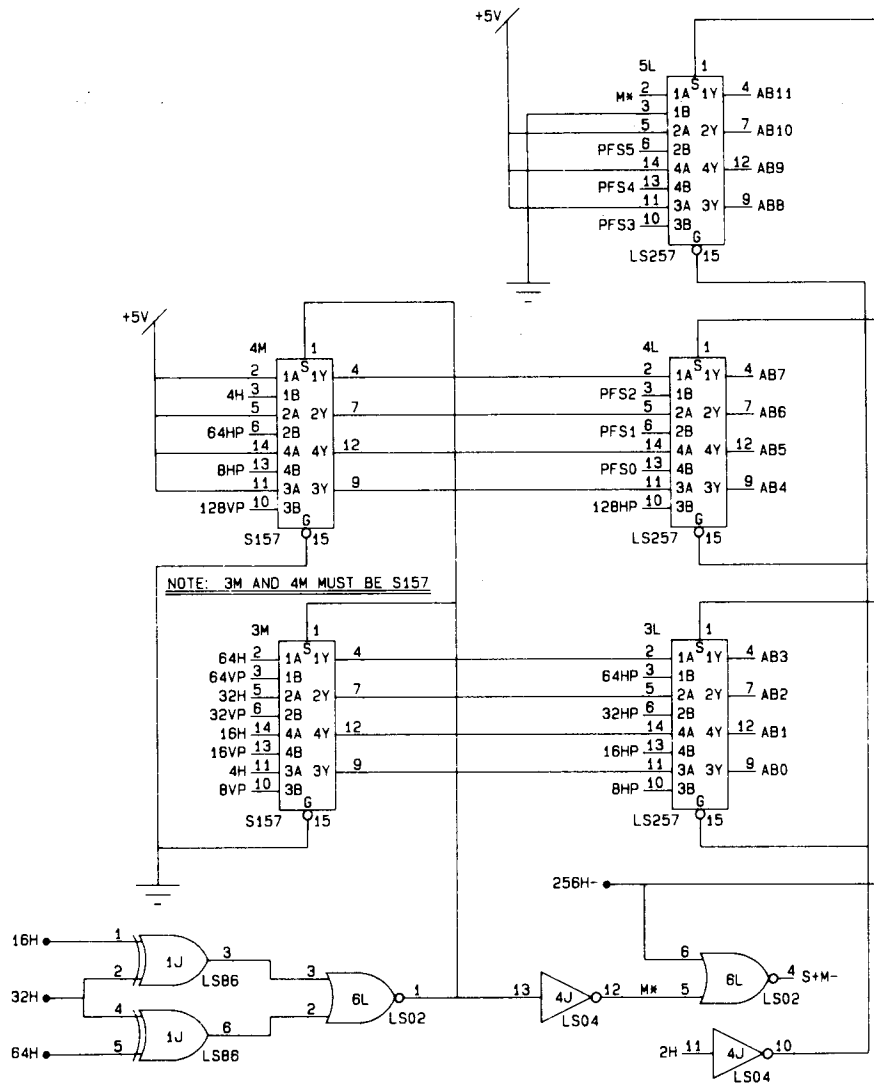
SHEET 20 OF 22



|   |                                    |                         |  |                       |
|---|------------------------------------|-------------------------|--|-----------------------|
| <b>DIM. TOLERANCES</b><br>UNLESS OTHERWISE SPEC<br>CONCENTRICITY T1 P .002<br>FRACTIONAL ± 1/64<br>DECIMAL ± .005<br>HOLE DIA + .002 - .000<br>ANGLE ± 1/2°<br><b>DO NOT SCALE DWG.</b> | FIRST USED ON<br><b>JR. PACMAN</b> | DATE<br><b>11/29/83</b> |  | A1<br><b>FULL</b>     |
|   | DRN<br><b>788</b>                  | MFG. CHN<br><b>788</b>  |  | FINISH<br><b>FULL</b> |
|   | MFG. CHN<br><b>788</b>             | FINISH<br><b>FULL</b>   |  |                       |
|   |                                    |                         |  |                       |
|   |                                    |                         |  |                       |

**Bally/MIDWAY MFG. CO.**  
 FRANKLIN PARK, IL 60131  
**JR. PACMAN (FIELD KIT)**  
 LOGIC P.C.  
 A080-91694-BA29

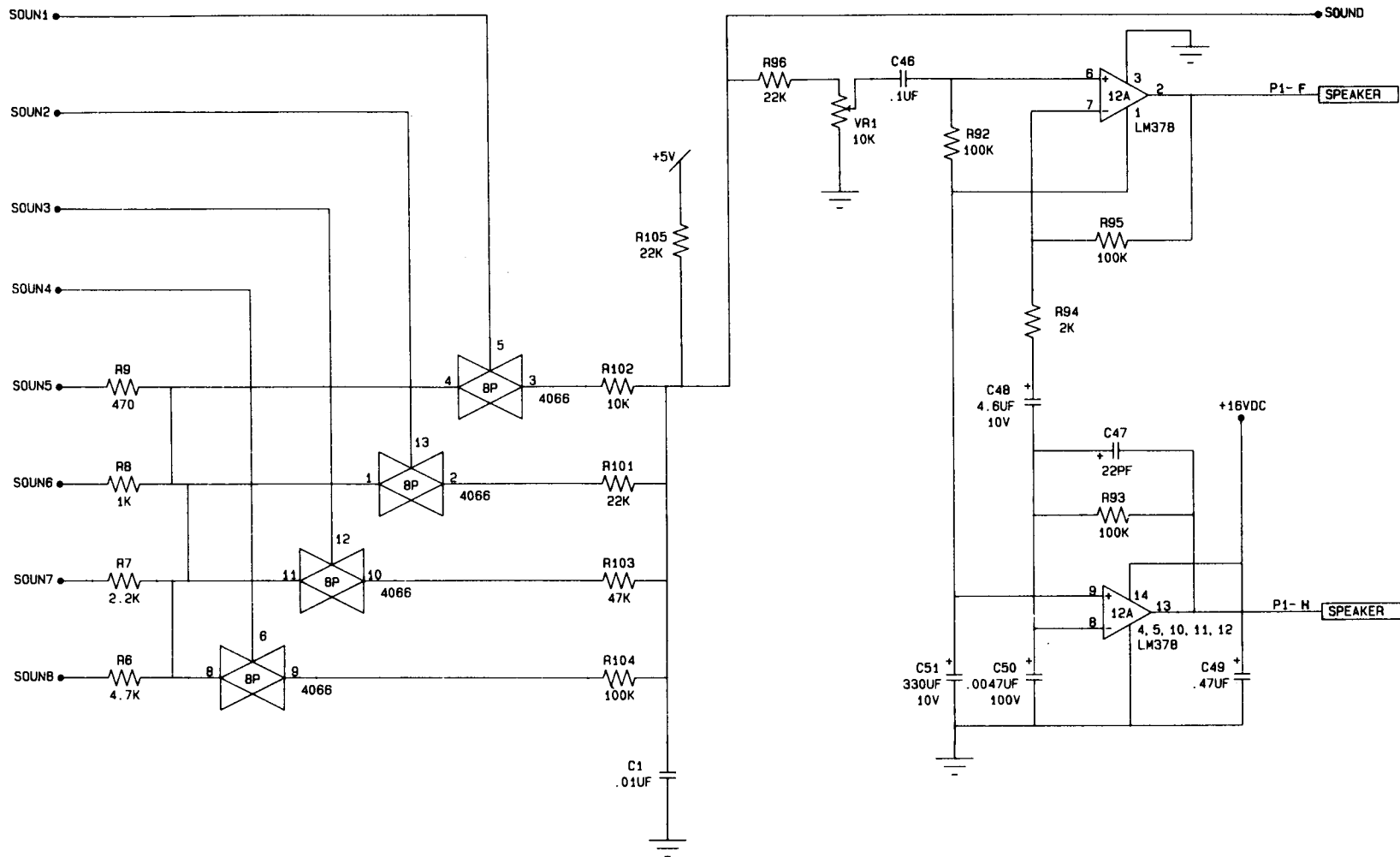
|              |  |                        |  |
|--------------|--|------------------------|--|
| <b>SOUND</b> |  | <b>REVISIONS</b>       |  |
| PART NO      |  | M0.5.1-00A.2.9-B.0.1.4 |  |



|   |   |
|---|---|
| <b>DIM TOLERANCES</b><br>UNLESS OTHERWISE SPEC<br>CONCENTRICITY TYP 002<br>FRACTIONAL ± 1/64<br>DECIMAL ± 0.05<br>HOLE DIA ± 0.02 - 0.00<br>ANGLE ± 1/2<br><b>DO NOT SCALE DWG.</b> | DESIGNED BY <b>JR. PACMAN</b><br>DATE <b>11/29/83</b> |
|   | CHECKED BY<br>DATE                                    |

|  |
|--|
| THE BALLY COMPANY<br><b>Bally/MIDWAY MFG. CO.</b><br>FRANKLIN PARK, IL 60131 |
| <b>JR. PACMAN (FIELD KIT)</b><br><b>LOGIC P.C.</b><br><b>A080-91694-BA29</b> |

|   |
|---|
| SHEET 21 OF 22                            |
| <b>PROMPT / STAMP VIDEO</b>               |
| <b>REVISIONS</b>                          |
| PART NO<br><b>M05-1-0-0-A-2-9-B-0-1-4</b> |



THIS DWG IS CONFIDENTIAL & PROPERTY OF BALLY/MIDWAY MFG. CO.

SHEET 22 OF 22

|   |   |
|---|---|
| <b>DIM TOLERANCES</b><br>UNLESS OTHERWISE SPEC<br>CONCENTRICITY T I R .002<br>FRACTIONAL ± 1/64<br>DECIMAL ± .005<br>HOLE DIA + .002 - .000<br>ANGLE ± 1/2°<br><b>DO NOT SCALE DWG.</b> | FIRST USELON <b>JR. PACMAN</b><br>DRN <b>TBB</b> DATE <b>11/29/83</b> SCALE <b>FULL</b>                   |
|   | MECH CHG _____<br>ELEC CHG _____ FINISH _____   |
|   | FRANKLIN PARK, IL 60131<br><b>JR. PACMAN ( FIELD KIT )</b><br><b>LOGIC P.C.</b><br><b>A080-91694-BA29</b> |
|   | PART NO<br><b>M0-5-1-0-0-A-2-9-B-0-1-4</b>  |

**Bally/MIDWAY MFG. CO.**  
 FRANKLIN PARK, IL 60131  
**JR. PACMAN ( FIELD KIT )**  
**LOGIC P.C.**  
**A080-91694-BA29**

|  |  |
|--|--|
| <b>AUDIO AMPLIFIER</b>                     |  |
| <b>REVISIONS</b>                           |  |
| PART NO<br><b>M0-5-1-0-0-A-2-9-B-0-1-4</b> |  |