

GENERAL INSTRUCTIONS FOR "EXTRA BASES"

Installation:

1. Remove shipping cleats located on bottom of cabinet.
2. Install four (4) provided leg levelers to bottom of cabinet and level cabinet.
3. The power is controlled by a switch located on top of the cabinet. Plug into A.C. only, 115 volts, 60 cycles.

Line Voltage Safety Switch:

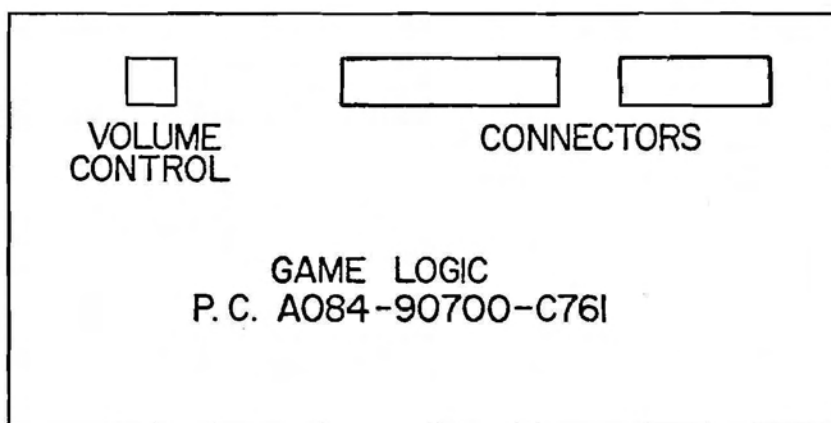
A line voltage safety switch has been provided for your protection. It is located on the right rear side of the cabinet. When the back door is removed, it opens the circuit to the line voltage. To restore power (when servicing), pull switch fully out.

Voltage Control Pots:

Located on Power Supply Board (P.C. A082-90401-B/D000) and are preset at the factory. These pots should not be tampered with unless the Distributor Service Department is contacted.

Volume Control:

Located on Game Logic Board (P.C. A084-90700-C761) controls the volume of all sounds and may be varied as desired by rotating pot control.

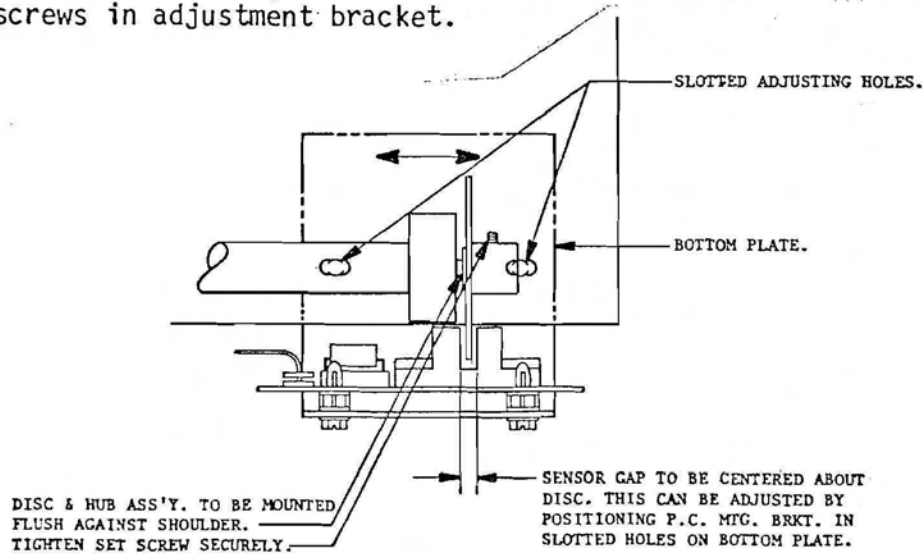


To Service Control Panel:

1. Open coin box door.
2. Release two (2) clamps located above coin door opening.
3. Disconnect control cable jack.

To Align Ball Control Sensors:

1. Loosen two (2) screws in slotted adjustment holes on sensor board mounting bracket.
2. Move sensor board mounting bracket until sensor disc is centered in sensor gap.
3. Tighten screws in adjustment bracket.



Method of Play:

| | | | | |
|------------|-------|----------------|-------|-----------|
| 1 quarter | ----- | 1 or 2 players | ----- | 1 inning |
| 2 quarters | ----- | 1 or 2 players | ----- | 3 innings |
| 3 quarters | ----- | 1 or 2 players | ----- | 5 innings |
| 4 quarters | ----- | 1 or 2 players | ----- | 7 innings |
| 5 quarters | ----- | 1 or 2 players | ----- | 9 innings |

SW. 2 MUST BE IN THE OFF POS.