

GENERAL INSTRUCTIONS FOR "BOWLING ALLEY"

INSTALLATION:

1. Remove shipping cleats located on bottom of cabinet.
2. Install 4 provided leg levelers to bottom of cabinet and level cabinet.
3. The power is controlled by a switch located on top of the cabinet. Plug into A.C. only, 115 volts, 60 cycles. In low line areas (105 volts or less), a boost in the output voltage of the transformer may be obtained by removing the wire from the 115 volt tap of the transformer and rewiring to the 105 volt position.

LINE VOLTAGE SAFETY SWITCH:

A line voltage safety switch has been provided for your protection. It is located on the left rear side of the cabinet in the upper back door area. When the back door is removed, it opens the circuit to the line voltage. To restore power (when servicing), pull switch fully out.

VOLTAGE CONTROL POTS:

Located on Power Supply Board (P.C. A080-90400-F000) and is preset at the factory. These pots should not be tampered with unless the Distributor Service Department is contacted.

VOLUME CONTROL POT:

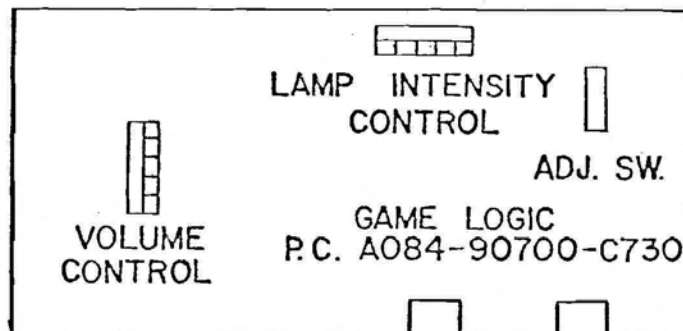
Located on Game Logic Board (P.C. A084-90700-C730) controls the volume of all sounds and may be varied as desired by rotating pot control.

LAMP INTENSITY CONTROL POT:

Located on Game Logic Board (P.C. A084-90700-C730) control the intensity of all Flash Insert and Control Panel lamps and may be varied as desired by rotating pot control.

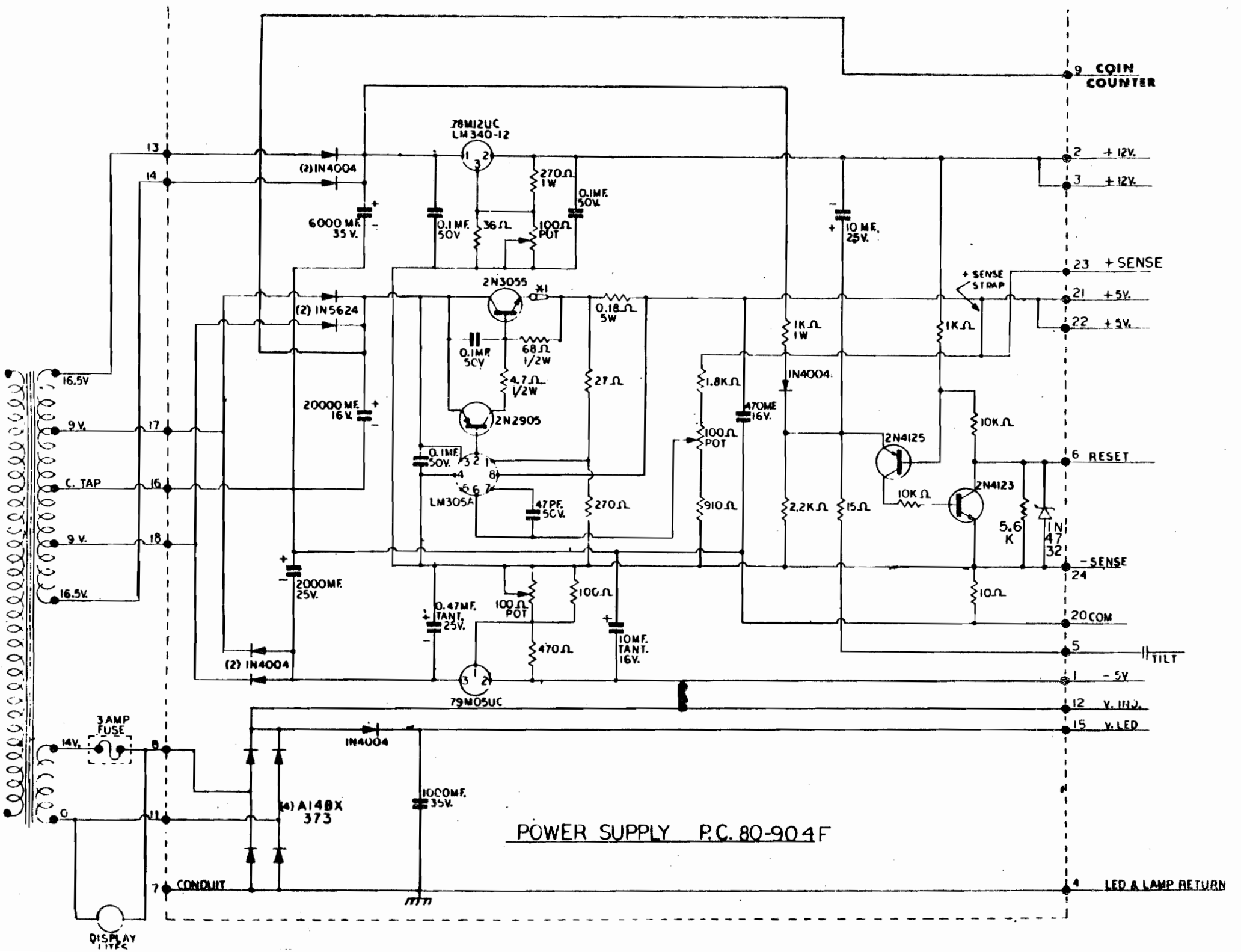
ADJUSTMENT SWITCHES:

Located on Game Logic Board (P.C. A084-90700-C730) and may be adjusted as indicated on separate instruction sheet in back box area.



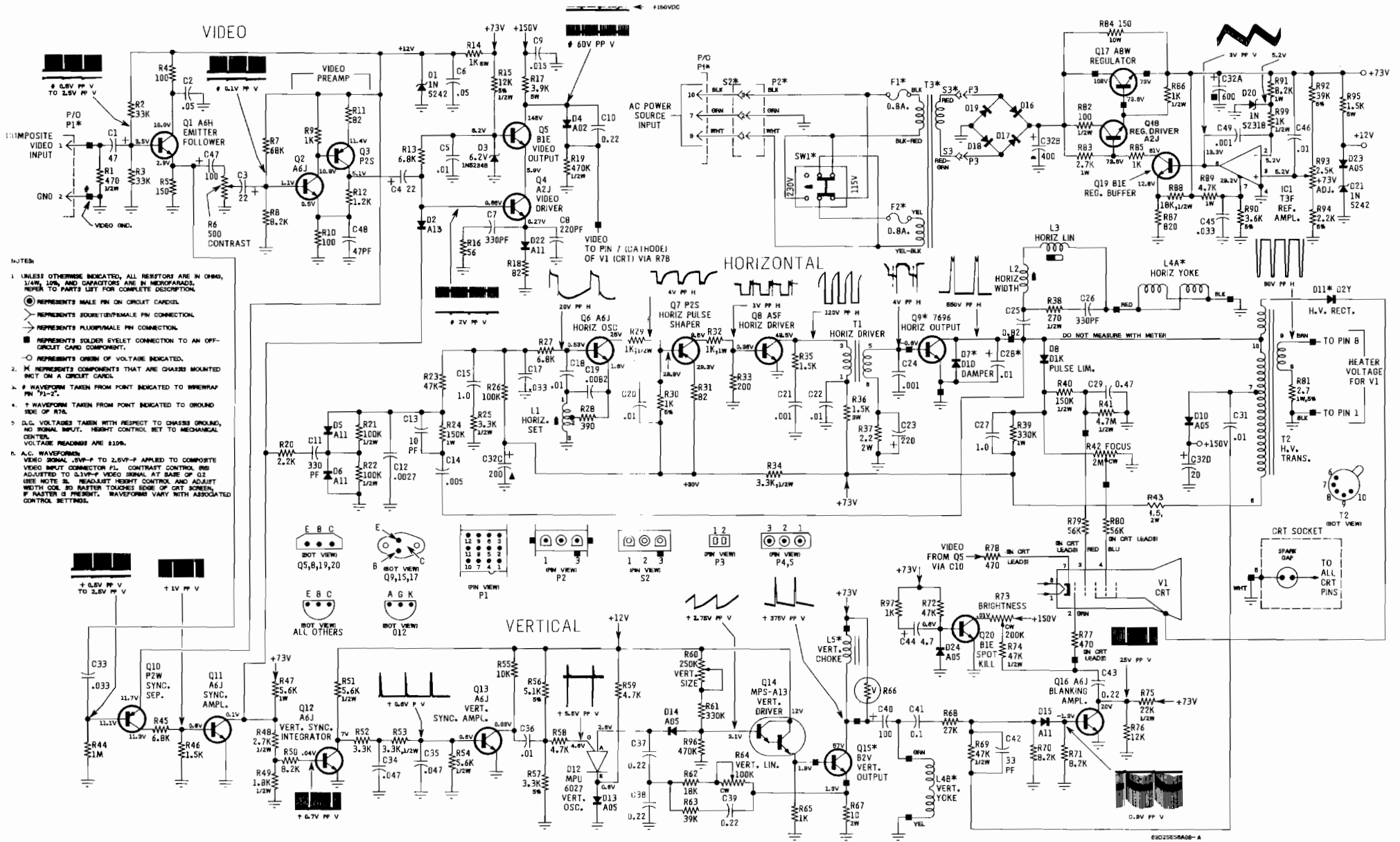
TO REMOVE CONTROL PANEL FOR SERVICE:

1. Open Coin Box Door.
2. Disconnect Control Panel jacks located to left of coin box door opening.
3. Unlatch clamp located on each side of cabinet.
4. Remove Control Panel for service.



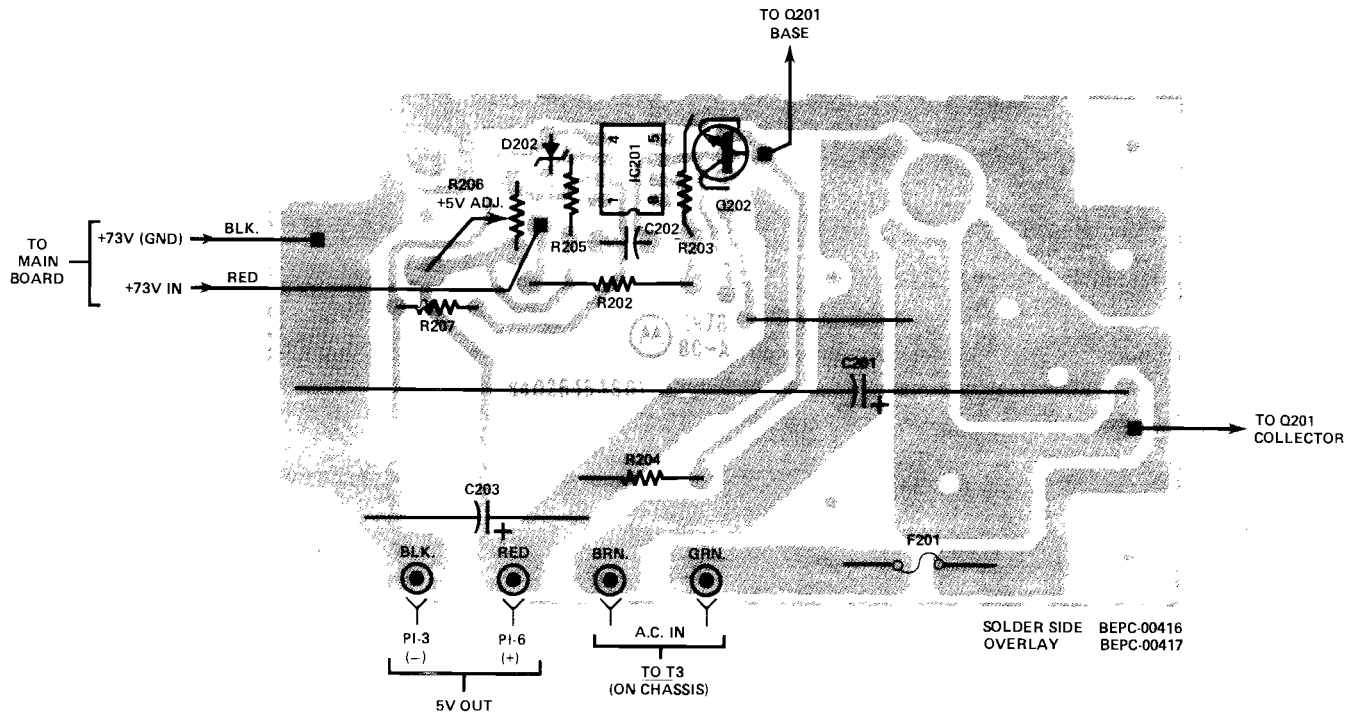
POWER SUPPLY P.C. 80-90 4F

POWER SUPPLY

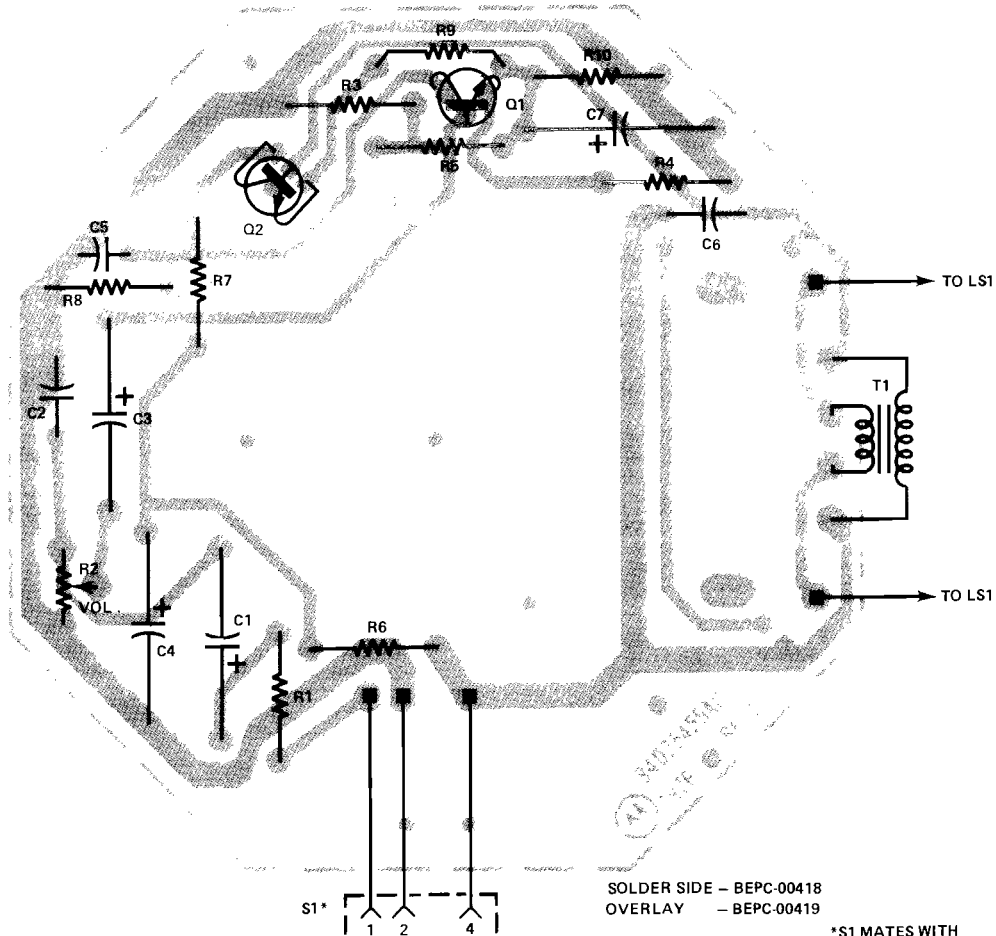


- NOTES:
- UNLESS OTHERWISE INDICATED, ALL RESISTORS ARE IN OHMS, 1/K Ω , 10K, AND CAPACITORS ARE IN MICROFARADS. REFER TO PARTS LIST FOR COMPLETE DESCRIPTION.
 - REPRESENTS MALE PIN ON CIRCUIT CARDS.
 - REPRESENTS SOCKET/TO FEMALE PIN CONNECTION.
 - REPRESENTS PLUG/TO MALE PIN CONNECTION.
 - REPRESENTS SOLDER EYELET CONNECTION TO AN OFF-CIRCUIT CARD COMPONENT.
 - REPRESENTS GROUND OF VOLTAGE INDICATED.
 - REPRESENTS COMPONENTS THAT ARE CHASSIS MOUNTED SHOWN ON A CIRCUIT CARD.
 - WAVEFORM TAKEN FROM POINT INDICATED TO WREWRAP PIN "1-2".
 - WAVEFORM TAKEN FROM POINT INDICATED TO GROUND SIDE OF R74.
 - WAVEFORM TAKEN FROM POINT INDICATED TO GROUND.
 - D.C. VOLTAGES TAKEN WITH RESPECT TO CHASSIS GROUND, NO SIGNAL INPUT. HEIGHT CONTROL SET TO MECHANICAL CENTER. VOLTAGE READINGS ARE $\pm 10\%$.
 - A.C. WAVEFORMS: VIDEO SIGNAL: 0.5VP-P TO 2.0VP-P APPLIED TO COMPOSITE VIDEO INPUT CONNECTOR PL-1. CONTRAST CONTROL: R85 ADJUSTED TO 0.1VP-P VIDEO SIGNAL AT BASE OF Q2. SEE NOTE 8. HEADSTAMP HEIGHT CONTROL AND ADJUST WITH COIL SO METER TOUCHES EDGE OF CRT SCREEN. IF METER IS PRESENT, WAVEFORMS VARY WITH ASSOCIATED CONTROL SETTINGS.

M5000-155, M7000-155 - Diagram Schematic



+5 Volt Supply Circuit Card Detail – Solder View



Audio Module Circuit Card Detail – Solder View