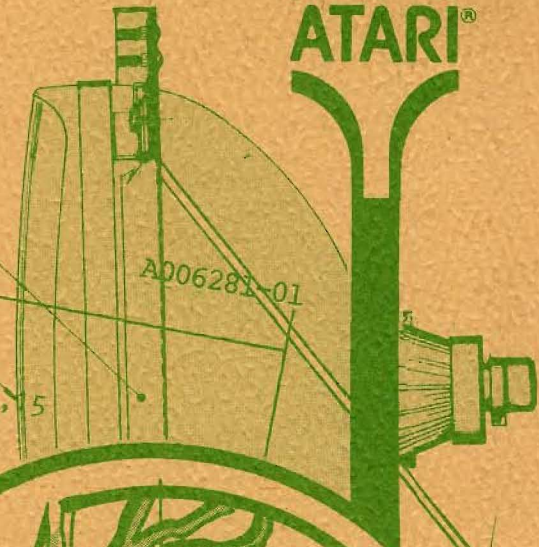


Triple Hunt™

illustrated parts catalog



Item	Part Number	Qty.	Description
1	006282-01	1	
2	10-5100		
3			
4	10-5102		
5	10-5103		
6	10-5104		
7	10-5105		
8	10-5153		
	10-5182		
	10-5220		
	2P7		
	10-5222	1	
	10-5224	1	
	10-5225	1	
	10-5331	1	
	10-5332	11	
	10-5392	4	
	10-5333	1	"
	10-5334	1	"
	10-5371	3	"
	10-5372	8	"
	10-5373	2	"
	10-5374	5	"
	10-5375	1	"
	10-5376	1	"



WARRANTY

Seller warrants that its printed circuit boards and parts thereon are free from defects in material and workmanship under normal use and service for a period of ninety (90) days from date of shipment. Seller warrants that its television monitors are free from defects in material and workmanship under normal use and service for a period of thirty (30) days from date of shipment. None of the Seller's other products or parts thereof are warranted.

If the products described in this manual fail to conform to this warranty, Sellers' sole liability shall be, at its option, to repair, replace, or credit Buyer's account for such products which are returned to Seller during said warranty period, provided:

- (a) Seller is promptly notified in writing upon discovery by Buyer that said products are defective;
- (b) Such products are returned prepaid to Sellers' plant; and
- (c) Seller's examination of said products discloses to Seller's satisfaction that such alleged defects existed and were not caused by accident, misuse, neglect, alteration, improper repair, installation or improper testing.

In no event shall Seller be liable for loss of profits, loss of use, incidental or consequential damages.

EXCEPT FOR ANY EXPRESS WARRANTY SET FORTH IN A WRITTEN CONTRACT BETWEEN SELLER AND BUYER WHICH CONTRACT SUPERSEDES THE TERMS OF THIS ORDER, THIS WARRANTY IS EXPRESSED IN LIEU OF ALL OTHER WARRANTIES EXPRESSED OR IMPLIED, INCLUDING THE IMPLIED WARRANTIES OF MERCHANTABILITY AND FITNESS FOR A PARTICULAR PURPOSE, AND OF ALL OTHER OBLIGATIONS OR LIABILITIES ON THE SELLER'S PART, AND IT NEITHER ASSUMES NOR AUTHORIZES ANY OTHER PERSON TO ASSUME FOR THE SELLER ANY OTHER LIABILITIES IN CONNECTION WITH THE SALE OF PRODUCTS UNDER THIS ORDER.

This document is and contains confidential trade secret information of Atari, Inc.

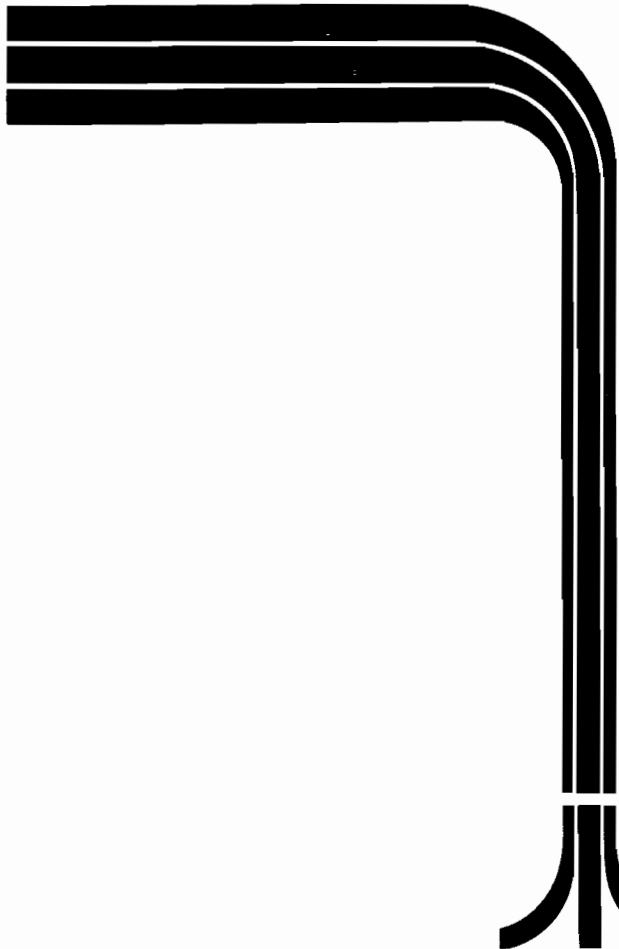
This document is loaned under confidential custody for the sole purpose of operation, maintenance or repair of Atari equipment and may not be used by or disclosed to any person for any other purpose whatever, and remains the property of Atari, Inc.

Neither it nor the information it contains may be reproduced, used, or disclosed to persons not having a need to know consistent with the purpose of the loan, without written consent of Atari, Inc.

Triple Hunt™

illustrated parts catalog

ATARI INC
1265 BORREGAS AVENUE
P.O. BOX 9027
SUNNYVALE, CALIFORNIA 94086
408/745-2000 • TELEX 35-7488



ATARI®

This catalog is a supplement to the Triple Hunt™ Operation, Maintenance and Service Manual, Atari Publication Number TM-091. The purpose of this catalog is to provide you with the necessary information for ordering replacement parts for the Triple Hunt game.

When ordering parts from your distributor, give the part number, part name, applicable page number of this catalog, and the serial number of your Triple Hunt game. This will help to avoid confusion and mistakes in your order. We hope the results will be less downtime and more profit from your Triple Hunt game.

If there are any questions about this catalog, please contact our Customer Service Department. You may call them Monday through Friday from 7:30 am to 4:00 pm Pacific Time at one of the following numbers:

from outside California, call toll free
(800) 538-6892

from inside California, Alaska or Hawaii, call
(408) 984-1900

All rights reserved. Copyright © 1977 by Atari, Inc. No part of this publication may be reproduced by any mechanical, photographic, or electronic process, or in the form of a phonographic recording, nor may it be stored in a retrieval system, transmitted, or otherwise copied for public or private use, without permission from the publisher.

Table of Contents for Single Cabinet Triple Hunt

<u>Figure Number</u>	<u>Figure Title</u>	<u>Page Number</u>
1A	Triple Hunt Single Cabinet Final Assembly	2
2	Single Cabinet Final Assembly	6
5	Electronics Tray Assembly	18
6	Power Supply Assembly	20
8	Tape Deck Assembly	24
9	RF Shield PCB Assembly	26
10	Triple Hunt Game PCB Assembly	28
11	Single Cabinet Top Black Light Assembly	34
12	Single Cabinet Lower Black Light Assembly	36
15	Single Cabinet TV Shelf Assembly	42
17	Rifle and Pot Mount Assembly	46
18	Coin Door Final Assembly	50
19	Coin Door Assembly	52

Table of Contents for Two-Cabinet Triple Hunt

<u>Figure Number</u>	<u>Figure Title</u>	<u>Page Number</u>
1B	Triple Hunt Two-Cabinet Final Assembly	4
3	Gun Mount Cabinet Final Assembly	10
4	CRT Cabinet Assembly	16
6	Power Supply Assembly	20
7	Tape Deck and Shelf Assembly	22
8	Tape Deck Assembly	24
9	RF Shield PCB Assembly	26
10	Triple Hunt Game PCB Assembly	28
13	Two-Cabinet Top Display Assembly	38
14	Two-Cabinet Bottom Display Assembly	40
16	Two-Cabinet TV Shelf Assembly	44
17	Rifle and Pot Mount Assembly	46
18	Coin Door Final Assembly	50
19	Coin Door Assembly	52
20	Brace Assembly	54

NOTICE TO ALL PERSONS RECEIVING THIS DRAWING
CONFIDENTIAL. Reproduction forbidden without the
specific written permission of Atari, Inc., Sunnyvale,
California. This drawing is only conditionally issued, and
neither receipt nor possession thereof confers or transfers
any right in, or license to use, the subject matter of the
drawing or any design or technical information shown
thereon, nor any right to reproduce this drawing or any part
thereof, except for manufacture by vendors of Atari Incor-
porated and for manufacture under the corporation's writ-
ten license, no right to reproduce this drawing is granted or
the subject matter thereof unless by written agreement
with or written permission from the corporation.

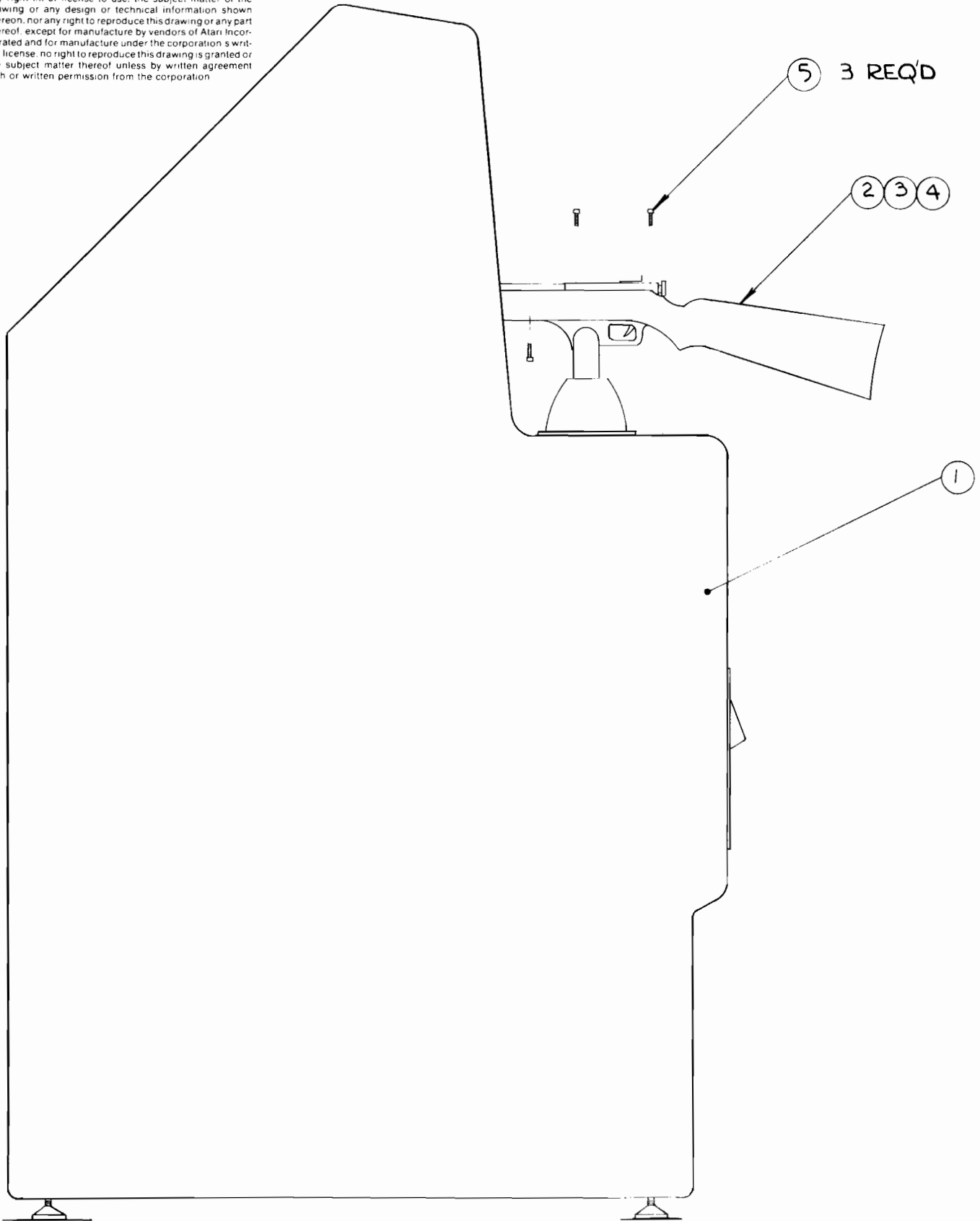


Figure 1A Triple Hunt Single Cabinet Final Assembly
A009376-01 A



Figure 1A Triple Hunt Single Cabinet Final Assembly
Parts List

Item	Part Number	Qty.	Description
1	A009372-01	1 Ref	Single Cabinet Final Assembly - See Figure 2
2	008317-01	1 Ref	Rifle Stock
3	008319-01	1 Ref	Receiver
4	008320-02	1 Ref	Barrel
5	72-8524	3 Ref	Scr., Mach., $\frac{1}{4}$ -20 x $1\frac{1}{4}$ Lg. Soc, Hd.

NOTICE TO ALL PERSONS RECEIVING THIS DRAWING
 CONFIDENTIAL. Reproduction forbidden without the
 specific written permission of Alair, Inc., Sunnyvale,
 California. This drawing is only conditionally issued, and
 neither receipt nor possession thereof confers or transfers
 any right or license to use the subject matter of the
 drawing for any other purpose than that intended herein.
 No warranty is made by Alair, Inc. for the use of the
 drawing for any other purpose. This drawing is a part
 thereof, except for manufacture by vendors of Alair incor-
 porated and for manufacture under the corporation's writ-
 ten license, no right to reproduce this drawing is granted or
 the subject matter thereof unless by written agreement
 with or written permission from the corporation.



Figure 1B Triple Hunt Two-Cabinet Final Assembly
 A008334-01 B

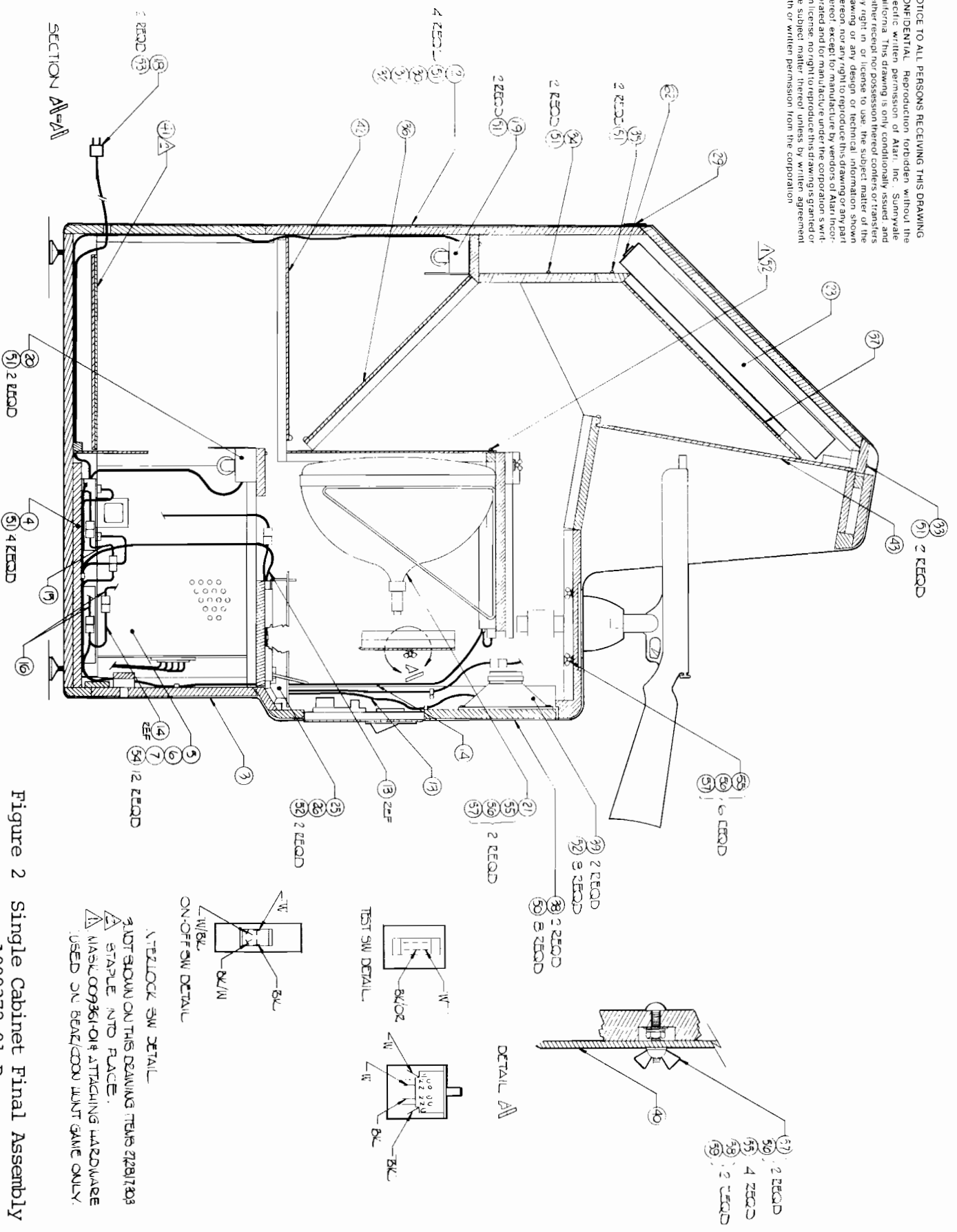


Figure 1B Triple Hunt Two-Cabinet Final Assembly
Parts List

Item	Part Number	Qty.	Description
1A	A007939-01	Ref	Gun Mount Cabinet Final Assembly - Used only on early production models.
1B	A007939-02	Ref	Gun Mount Cabinet Final Assembly - Used only on later production models. See Figure 3
2	A008370-01	"	CRT Cabinet Assembly - See Figure 4
3	A008456-01	"	Brace Assy - See Figure 20
4	008316-01	"	Rifle Stock
5	008320-01	"	Barrel
6	008319-01	"	Receiver
7	72-8528	"	Screw, Socket Hd $\frac{1}{4}$ -20 x 1.75 Lg.
8	72-8520	"	" " " 1.25 Lg.
9	72-8536	"	" " " 2.25 Lg.
10	75-5524N	8	Carriage Bolt, $\frac{1}{4}$ -20 x $1\frac{1}{2}$ " Lg.
11	75-935	8	Wing Nut, $\frac{1}{4}$ -20
12	75-015S	8	Flat Washer, $\frac{1}{4}$
13	75-045	8	Washer, Split Lock, $\frac{1}{4}$

NOTE: ONLY DIFFERENCE BETWEEN ITEM 1A AND 1B IS TAPE DECK ASSEMBLY AS INDICATED IN FIGURE 7.

NOTICE TO ALL PERSONS RECEIVING THIS DRAWING
 CONFIDENTIAL Reproduction forbidden without the
 specific written permission of Atari, Inc. Sunnyvale
 California. This drawing is only conditionally issued and
 neither receipt nor possession thereof confers or transfers
 any right in or license to use the subject matter of the
 drawing or any design or technical information shown
 hereon for any reproduction thereof in any form or
 for any purpose whatsoever without the prior written
 consent of Atari, Inc. No part of this drawing is to be
 copied, stored in a retrieval system, or transmitted in any
 form or by any means, electronic, mechanical, photocopying,
 recording, or by any information storage and retrieval
 system, without the prior written permission of Atari, Inc.
 This drawing is the property of Atari, Inc. and is to be
 returned to Atari, Inc. upon completion of the project.
 No license, no right to reproduce this drawing is granted or
 the subject matter thereof unless by written agreement
 with or written permission from the corporation.



NETZLOCK SW DETAIL
 NOT SHOWN ON THIS DRAWING ITEM# 212817403
 STAPLE INTO FLANGE.
 MASC#009361-014 ATTACHING HARDWARE
 USED ON BEAR/CODD WANT GAME ONLY.

Figure 2 Single Cabinet Final Assembly
 A009372-01 B

NOTICE TO ALL PERSONS RECEIVING THIS DRAWING
 CONFIDENTIAL. Reproduction forbidden without the
 specific written permission of Alari, Inc., Sunnyvale,
 California. This drawing is only conditionally issued and
 neither receipt nor possession thereof conveys or transfers
 any right in, or license to use, the subject matter of the
 drawing or any design or technical drawing shown thereon.
 The drawing is for reference only and is not to be used
 therefor, except for manufacture by vendors of Alari incor-
 porated and for manufacture under the corporation's writ-
 ten license. No right to reproduce this drawing is granted or
 the subject matter thereof unless by written agreement
 with or written permission from the corporation.

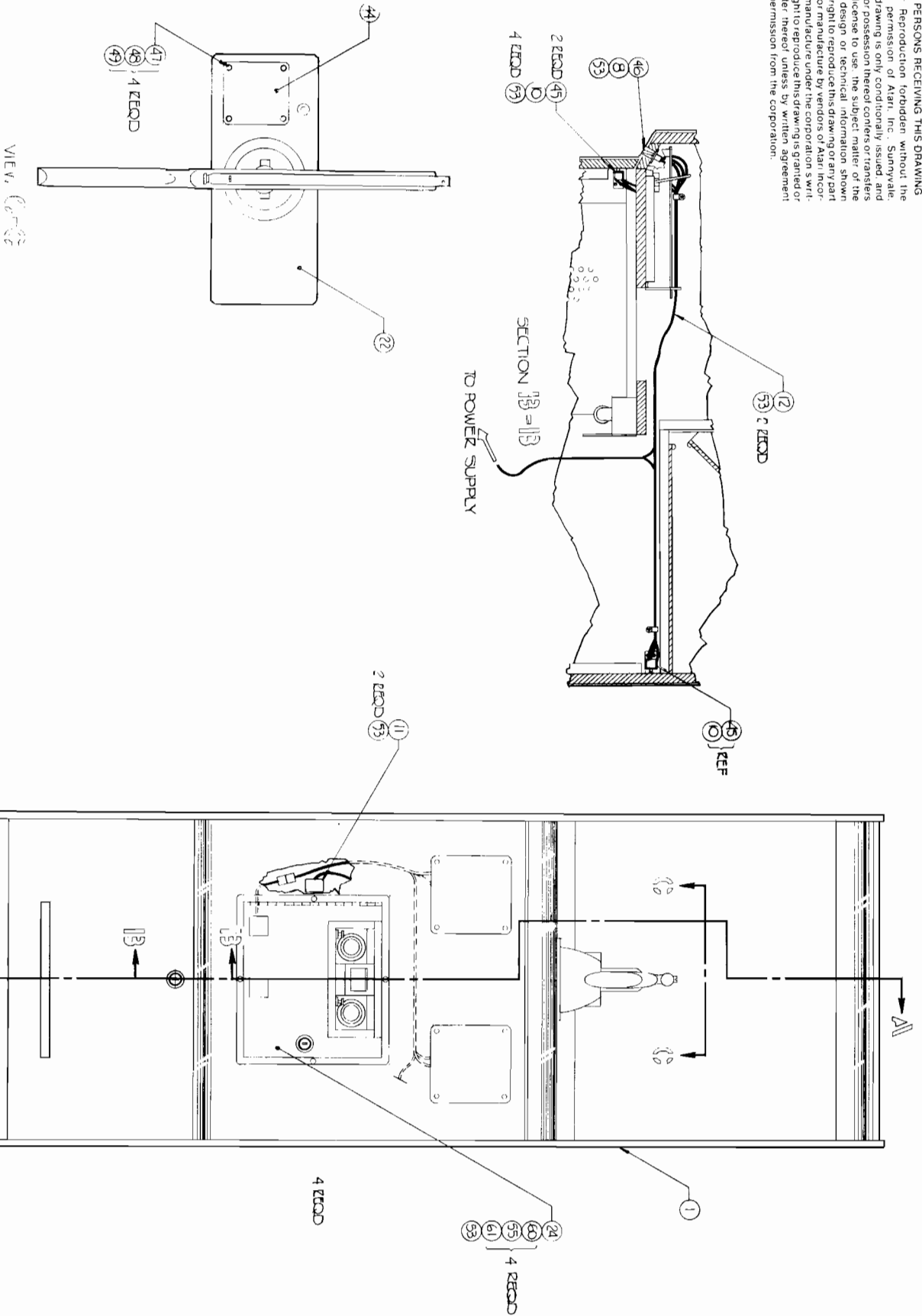


Figure 2 Single Cabinet Final Assembly
 A009372-01 B



Figure 2 Single Cabinet Final Assembly
Parts List

Item	Part Number	Qty.	Description
1	A009324-02	1	Cabinet Assy W/Graphics
2	A009334-01	1	Rear Door W/Lock Assy
3	A009328-01	1	Front Door W/Lock Assy
4	A009329-01	1	Electronics Tray Assy - See Figure 5
5	A005912-02	1	R.F. Shield Box Assy
6	A008335-01	1	R.F. Shield PCB Assy - See Figure 9
7	A007532-02	1	Triple Hunt Game PCB Assembly - See Figure 10
8	A006449-01	1	Power On/Off Switch
9			
10	000268-01	2	Interlock Sw. BKT
11	A006458-01	1	Slide Sw. Assy
12	A009355-01	1	Power Sw. Harness
13	A008304-02	1	Main Harness
14	A008305-01	1	CRT Harness Assy
15	A009356-01	1	Main Interconnect Harness
16	A005396-02	1	Tape Deck " "
17	008303-03	1	Harness Schematic
18	A007784-02	1	Strain Relief Power Cord Assy
19	A009357-01	1	Assy, Top Black Light - See Figure 11
20	A009337-01	1	Assy, Lower Black Light - See Figure 12
21	A009336-01	1	TV Shelf Assy. - See Figure 15
22	A008315-02	1	Rifle and Pot Mount - See Figure 17
23	A009358-01	1	Plex Storage Box Assy
24	A006794-01	1	Coin Door Assy. for American Quarter Only
	A006794-02	Ref.	Coin Door Assy. for Belgian 5 Francs Only
	A006794-03	Ref.	Coin Door Assy. for German Mark Only
	A006794-04	Ref.	Coin Door Assy. for Swedish Krona Only
	A006794-05	Ref.	Coin Door Assy. for Japanese 100 Yen Only
	A006794-06	Ref.	Coin Door Assy. for English 10 Pence Only
	A006794-07	Ref.	Coin Door Assy. for Australian 20-Cent Piece Only
25	A007902-01	1	Coin Box Assy.
26	006870-01	1	Coin Box Bracket
27	009371-01	1	Rifle Shipping Container
28	A009375-XX	1	Shipping Container
29	005233-01	1	Rear Door Seal
30	006305-01	1	Printed Poly Bag
31	IPC-091	1	Illustrated Parts Catalog
32	TM-091	1	Tech. Manual
33	009312-01	1	Wood Plex Retainer
34	009299-01	1	Panel Access
35	009298-01	1	Retainer Mirror



Figure 2 Single Cabinet Final Assembly
Parts List

Item	Part Number	Qty.	Description
36	009359-01	1	Transparent Mirror Rework
37	009360-01	1	Top Mirror
38	005419-01	2	Speaker Grill
39	48-009	2	Speaker 8"
40	009327-01	1	Shield Monitor
41	008454-01	1	Cardboard Graphics (Witch Hunt)
42	008374-01	1	Main Display (Witch Hunt)
43	007957-01	1	Witch Hunt Front Plex (Silk Screen)
44	007950-01	1	Instruction Plex (Witch Hunt)
45	68-002	2	Interlock Switch (AC Powered)
46	007103-01	1	On/Off Switch Cover
47	75-99090006	4	Wellnut Blind Hole Fastener
48	82-8016	4	Screw BH Socket #10-32x1.00LG
49	75-07021	4	Washer Flat Black Nylon #10
50	73-77004	8	Rivet 3/16" ODx.68LG
51	72-6620	20	Screw SM PH Phil #6x1 $\frac{1}{4}$ "LG
52	72-6812	8	Screw SM PH Phil #8x3/4"LG
53	72-6610	21	Screw SM PH Phil #6x5/8"
54	72-6608	12	Screw SM PH Phil #6x $\frac{1}{2}$ "
55	75-015,S	16	Washer, Flat $\frac{1}{4}$ "
56	75-045	10	Washer, Split Lock $\frac{1}{4}$ "
57	75-935	10	Nut Wing $\frac{1}{4}$ "-20
58	75-5524N	2	Bolt Carriage $\frac{1}{4}$ "-20x1 $\frac{1}{2}$ "LG
59	75-915,S	2	Nut Hex $\frac{1}{4}$ "-20
60	75-5516B	4	Bolt Carriage $\frac{1}{4}$ "-20x1.00LG
61	75-990505,S	4	Nut Lock Shallow Pat Nylon $\frac{1}{4}$ "-20
62	002191-01	1	Bracket

NOTICE TO ALL PERSONS RECEIVING THIS DRAWING
 CONFIDENTIAL: Reproduction forbidden without the
 specific written permission of Atari, Inc., Sunnyvale,
 California. This drawing is only conditionally issued, and
 neither receipt nor possession thereof confers or transfers
 any right in, or license to use, the subject matter of the
 drawing or any design or technical information shown
 thereon, nor any right to reproduce this drawing or any part
 thereof, except for manufacture by vendors of Atari Incorporated
 and for manufacture under the corporation's written license.
 no right to reproduce this drawing is granted or
 the subject matter thereof unless by written agreement
 with or written permission from the corporation

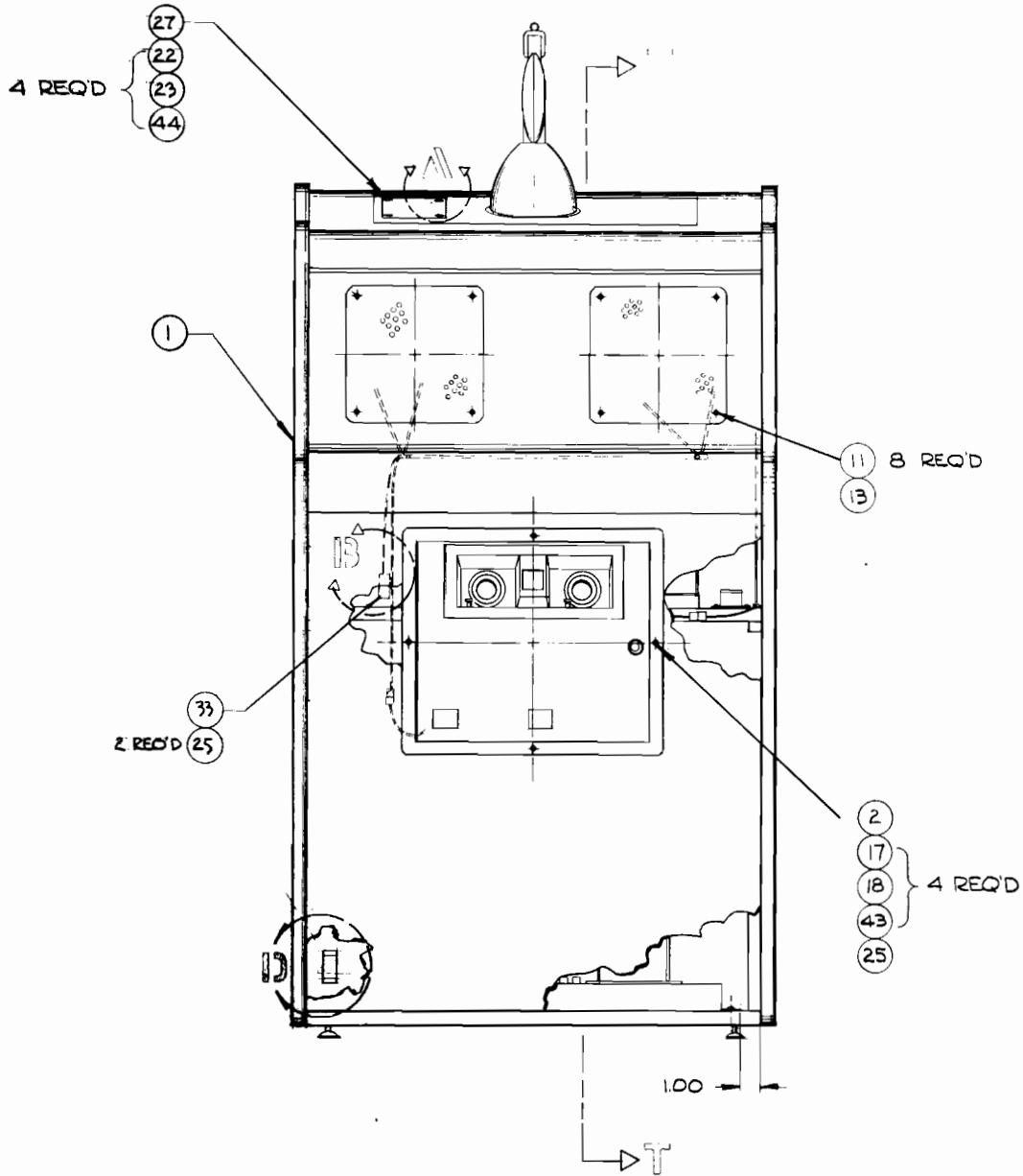
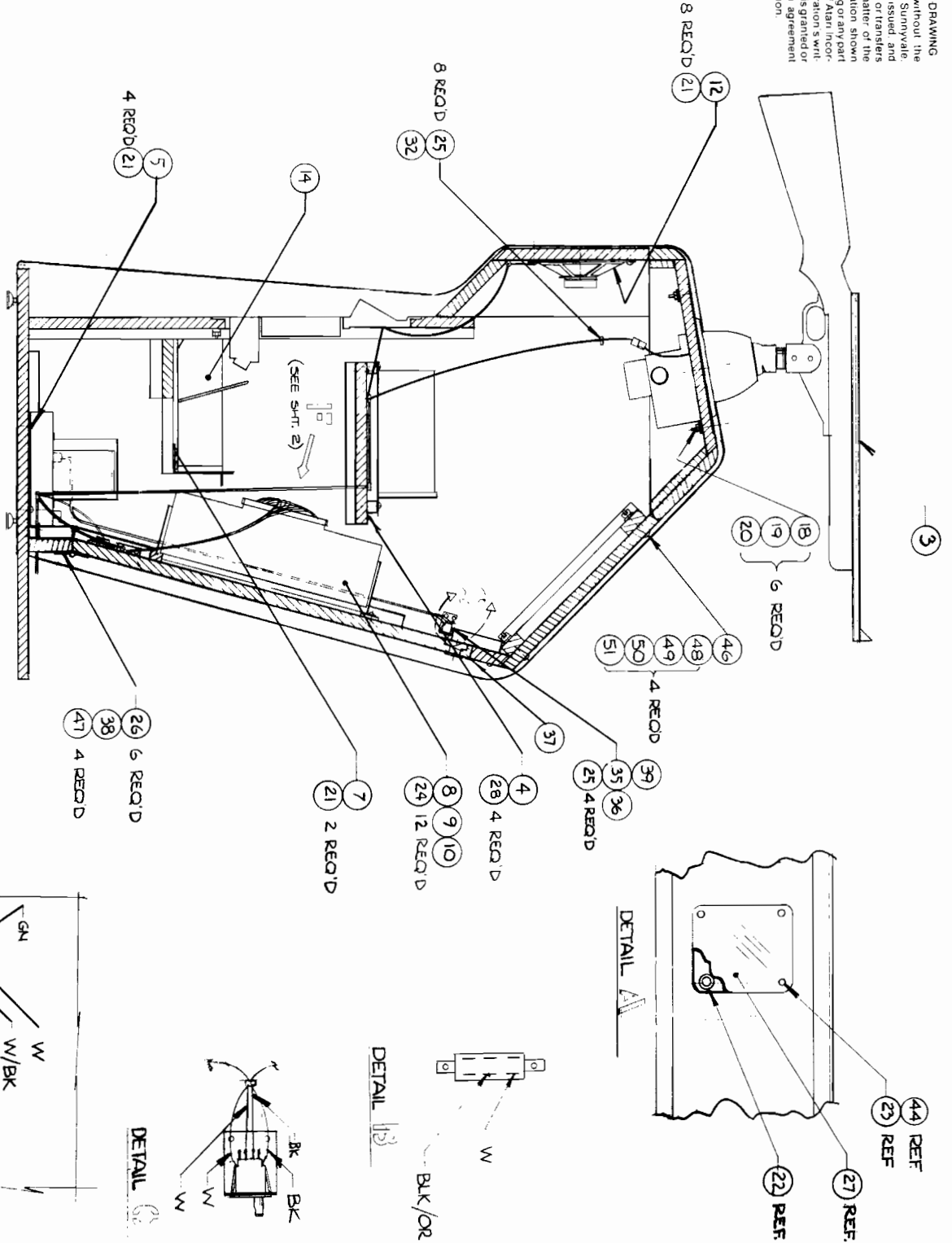


Figure 3 Gun Mount Cabinet Final Assembly
 A007939-01 B and -02 A

NOTICE TO ALL PERSONS RECEIVING THIS DRAWING
 CONFIDENTIAL. Reproduction forbidden without the
 specific written permission of Atari, Inc., Sunnyvale,
 California. This drawing is only conditionally issued and
 neither receipt nor possession thereof confers or transfers
 any right in, or license to use, the subject matter of the
 drawing or any design or technical information shown
 thereon, nor any right to reproduce this drawing or any part
 thereof, except for manufacture by vendors of Atari incor-
 porated and for manufacture under the corporation's writ-
 ten license no right to reproduce this drawing is granted or
 the subject matter thereof unless by written agreement
 with or written permission from the corporation.



SECTION T-T

Figure 3 Gun Mount Cabinet Final Assembly
 A007939-01 B and -02 A

NOTICE TO ALL PERSONS RECEIVING THIS DRAWING
 CONFIDENTIAL. Reproduction forbidden without the
 specific written permission of Atari, Inc., Sunnyvale,
 California. This drawing is only conditionally issued and
 neither receipt nor possession thereof confers or transfers
 any right in, or license to use, the subject matter of the
 drawing or any design or technical information shown
 thereon, nor any right to reproduce this drawing or any part
 thereof, except for manufacture by vendors of Atari incor-
 porated and for manufacture under the corporation's writ-
 ten license; no right to reproduce this drawing is granted or
 the subject matter thereof unless by written agreement
 with or written permission from the corporation.

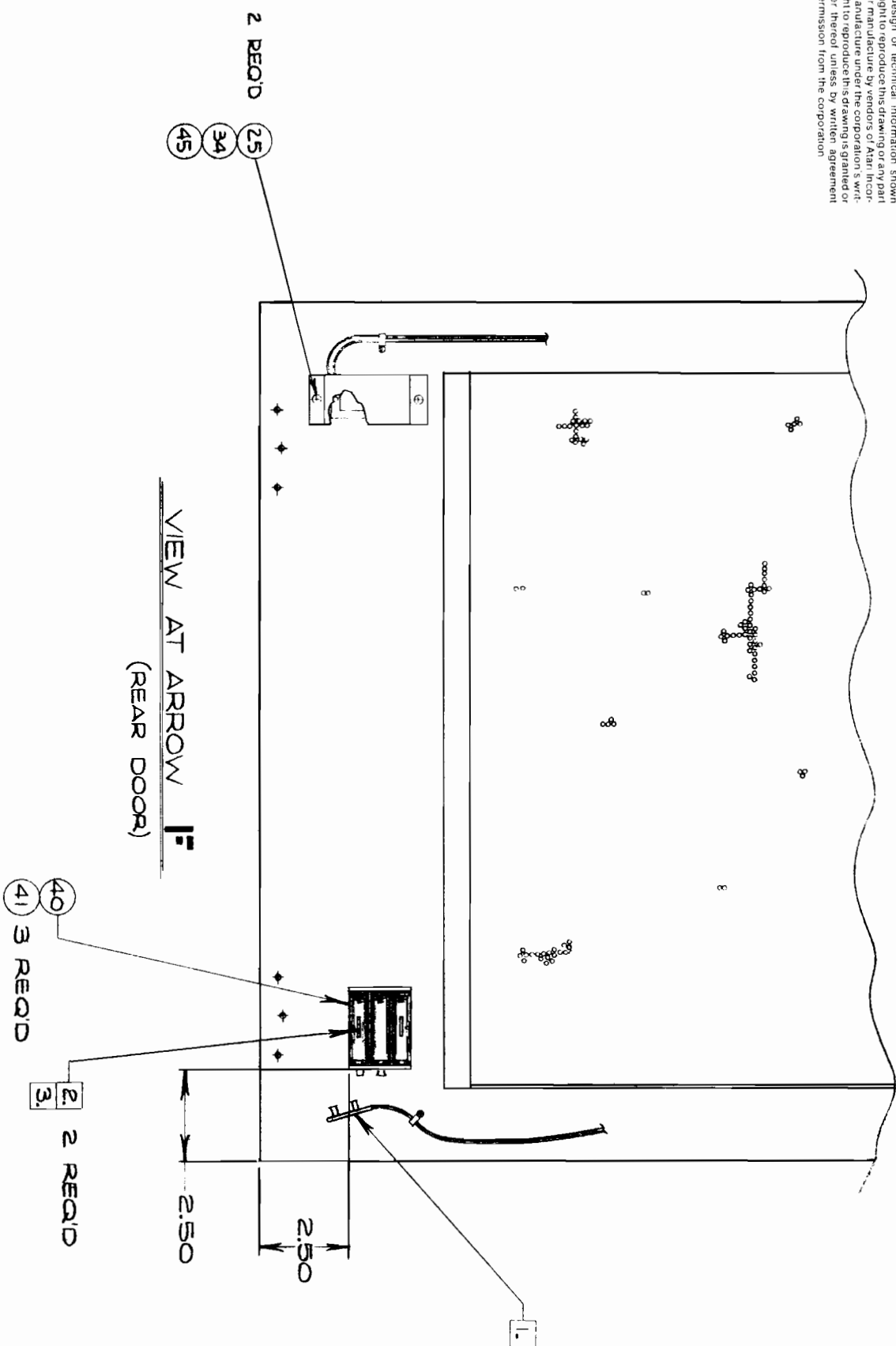


Figure 3 Gun Mount Cabinet Final Assembly
 A007939-01 B and -02 A



Figure 3 Gun Mount Cabinet Final Assembly
Parts List

Item	Part Number	Qty.	Description
1	A007940-02	1	Gun Mount, Cab., Assy W/Graphics
2	A009083-01	1	Coin Door Assy. for American Quarter Only - See Figure 18.
	A009083-02	Ref.	Coin Door Assy. for Belgian 5 Francs Only - See Figure 18.
	A009083-03	Ref.	Coin Door Assy. for German Mark Only - See Figure 18.
	A009083-04	Ref.	Coin Door Assy. for Swedish Krona Only - See Figure 18.
	A009083-05	Ref.	Coin Door Assy. for Japanese 100 Yen Only - See Figure 18.
	A009083-06	Ref.	Coin Door Assy. for English 10 Pence Only - See Figure 18.
	A009083-07	Ref.	Coin Door Assy. for Australian 20-Cent Piece Only - See Figure 18.
3	A008315-02	1	Rifle and Pot Mount Assembly - See Figure 17
4A	A007947-01	1	Tape Deck and Shelf Assy. Used only on early production Gun Mount Cabinet Final Assembly, part number A007939-01.
4B	A007947-02	1	Tape Deck And Shelf Assembly Used only on later production Gun Mount Cabinet Final Assembly, part number A007939-02. See Figure 7.
5	A007197-01	1	Power Supply Assembly - See Figure 6
7	006870-01	1	Bracket, Coin Box
8	A005912-02	1	R.F. Shield Box Assy (without Stops)
9	A008335-01	1	R.F. Shield P.C.B. Assy - See Figure 9
10	A007532-02	1	Triple Hunt Game PCB Assembly - See Figure 10
11	73-77004	8	Rivets, 3/16" O.D. x .68 Lg
12	48-009	2	8" Speaker
13	005419-01	2	Speaker Grill
14	A007902-01	1	Coin Box Assembly
17	75-5516B	4	Bolt, Carriage, # $\frac{1}{4}$ -20 x 1.00" Lg.
18	75-015S	10	Washer Flat $\frac{1}{4}$
19	75-045	6	Washer Split Lock, $\frac{1}{4}$
20	75-915S	6	Nut, Hex $\frac{1}{4}$ -20
21	72-6812	14	Screw, SM #8 x 3/4 Lg, Phil. Pan Hd.
22	75-990090006	4	Well - Nut Blind Hole Fastener
23	82-8012	4	10-32 Button Hd Screw .75 Lg.
24	72-6608	12	Screw, SM., Pan Hd., Phil #6 x $\frac{1}{2}$ " Lg.
25	72-6610	15	Screw, SM., Pan Hd., Phil #6 x 5/8" Lg.
26	82-1810	6	Screws, Wood, Flat - Hd. Phil. #8
27	007950-01	1	Instruction Plex (Witch Hunt)
28	72-6620	4	Screw, SM., Pan Hd., Phil #6 x 1.25" Lg.
30	A007953-XX	1	Shipping Container
31			
32	A008304-01	1	Main Harness
33	A006548-01	1	Slide Switch Assy
34	A006449-01	1	Power On/Off Switch Assy
35	68-002	1	Interlock Switch (AC Power)
36	000268-02	1	Interlock Switch Brkt



Figure 3 Gun Mount Cabinet Final Assembly
Parts List

Item	Part Number	Qty.	Description
37	005233-01	1	Rear Door Seal
38	A007937-01	1	Rear Door Assy (Lock&Hinge)
39	A008309-01	1	Power Switch Harness
40	79-3104	1	Battery Holder (Chitose #33-3)
41	90-406	3	Alkaline Battery (Mallory or eqv.) size AA
42	46-202302	2	Fuses 3 AMP (Slow Blow)
43	75-990505 S	4	# $\frac{1}{4}$ -20 Shallow Pattern Nylon Lock Nut
44	75-07021	4	Nylon Flat Washers - Black
45	007103-01	1	On/Off Switch Cover
46	A009151-01	Ref	Top/Rear Angle
47	82-1824	4	Screw, Wood Flat Head, Phil., #8 x 1 x $\frac{1}{2}$ " Lg.
48	75-5132B	4	Bolt, Carriage, #10-24 x 2.00" Lg. Blk
49	75-010S	4	Washer Flat #10
50	75-040	4	Washer Split Lock #10
51	75-931	4	#10-24 Wing Nut

NOTICE TO ALL PERSONS RECEIVING THIS DRAWING
 CONFIDENTIAL. Reproduction forbidden without the
 specific written permission of Atari, Inc., Sunnyvale,
 California. This drawing is only conditionally issued, and
 neither receipt nor possession thereof confers or transfers
 any right in or license to use the subject matter of the
 drawing or any design or technical information shown
 thereon nor any right to reproduce this drawing or any part
 thereof, except for manufacture by vendors of Atari Incor-
 porated and for manufacture under the corporation's writ-
 ten license no right to reproduce this drawing's granted or
 the subject matter thereof unless by written agreement
 with or written permission from the corporation.

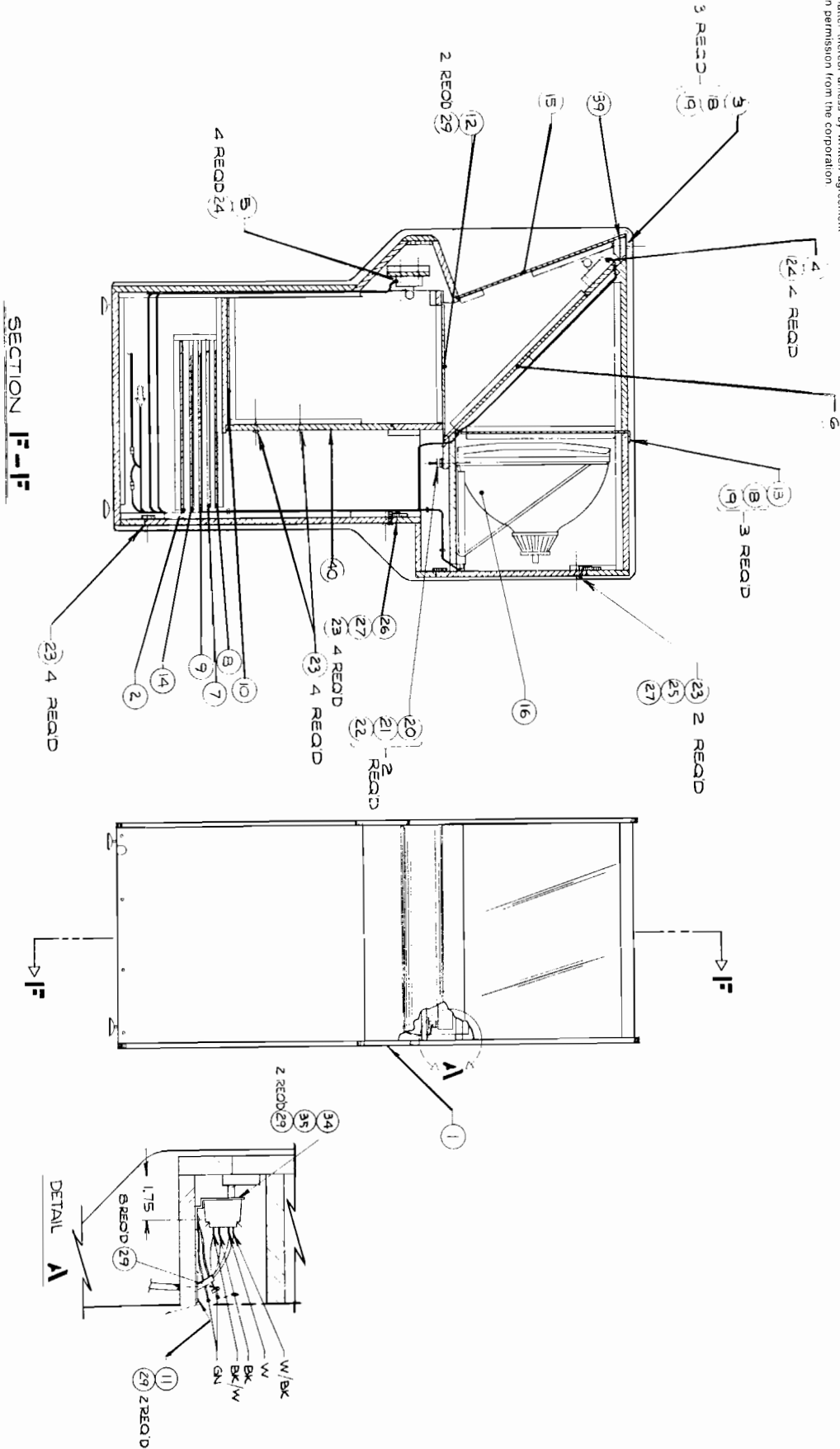


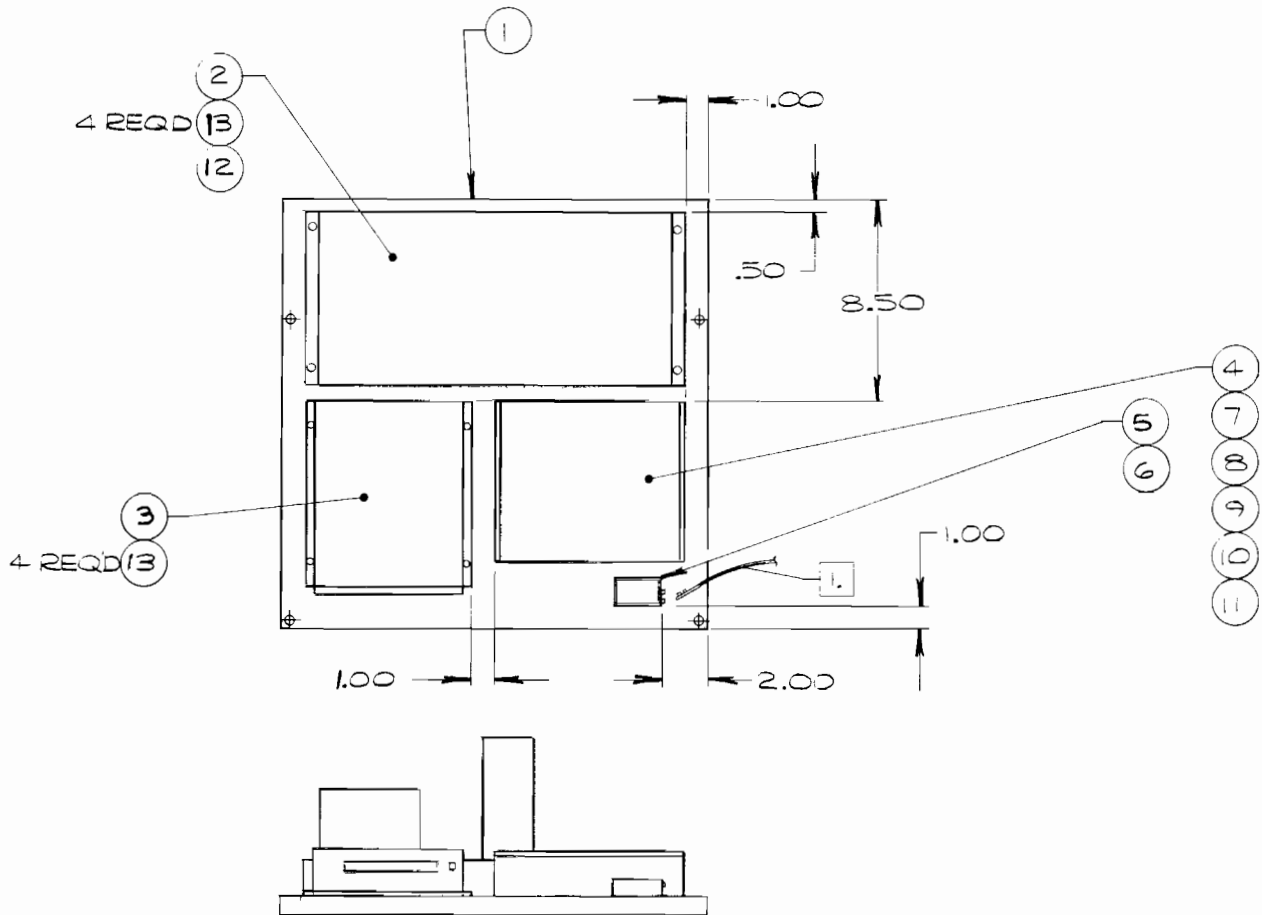
Figure 4 CRT Cabinet Assembly
 A008370-01 B



Figure 4 CRT Cabinet Assembly
Parts List

Item	Part Number	Qty.	Description
1	A007960-02	1	Cabinet Assy W/Graphics
2	008361-01	1	HIT THE BEAR Front Plex (Silkscreen)
3	006819-01	1	Plex Retainer
4	A008364-01	1	Top Display Assy (BlackLight)-See Figure 13
5	A008363-01	1	Bottom Display Assy (BlackLight)-See Figure 14
6	008369-01	1	Transparent Mirror
7	008377-01	1	Mask (Hit Bear/Coon Hunt)
8	008453-01	1	Card Board Graphics (Bear/Coon Hunt)
9	008373-01	1	Main Display (Hit Bear/Raccoon)
10	008454-01	1	Card Board Graphics (WITCH HUNT)
11	A006222-04	1	Strain Relief Power Cord, Assy
12	008374-01	1	Main Display (WITCH HUNT)
13	008376-01	1	Cover Cap (mask)
14	008362-01	1	Raccoon Hunt Front Plex (Silkscreen)
15	007957-01	1	Witch Hunt Front Plex (Silkscreen)
16	A008365-01	1	T.V. Shelf Assy - See Figure 16
17			
18	75-99090006	6	Well Nut, Blind Hole Fastener
19	82-8016	6	Screw, Button Hd., Socket #10-32 x 1.00" Lg.
20	75-015S	2	Flat Washer # $\frac{1}{4}$
21	75-045	2	Lock Washer # $\frac{1}{4}$
22	75-915S	2	Hex Nut # $\frac{1}{4}$ -20
23	82-1824	10	Screw, Wood, #8 x 1.50" Lg. Flat Hd Phil
24	72-6620	8	Screw, SM., Pan Hd., Phil., #6 x 1.25 Lg.
25	A008351-01	1	Top Rear Door Assy w/Lock
26	A008353-01	1	Lower Rear Door, Assy w/Lock
27	005233-01	2	Rear Door Seal
28	A008305-01	1	CRT Harness
29	72-6610	14	Screw, SM., Pan Hd., Phil. #6 x 5/8" Lg.
30			
31	A007955-XX	1	Shipping Container (Main Cab.)
32	006319-01	1	Copy Right Decal
33	TM-091	1	Tech. Manual.
34	68-002	1	Interlock Switch
35	007227-01	1	Interlock Switch Brkt
36	008303-01	1	Harness Schematic
37			
38			
39	78-6601216	A/R	Alum. Foil
40	008340-01	1	Inner Door
41	006305-01	1	Printed Poly Bag

NOTICE TO ALL PERSONS RECEIVING THIS DRAWING
 CONFIDENTIAL Reproduction forbidden without the
 specific written permission of Atari, Inc., Sunnyvale,
 California. This drawing is only conditionally issued, and
 neither receipt nor possession thereof confers or transfers
 any right in, or license to use, the subject matter of the
 drawing or any design or technical information shown
 thereon, nor any right to reproduce this drawing or any part
 thereof, except for manufacture by vendors of Atari Incorporated
 and for manufacture under the corporation's written license,
 no right to reproduce this drawing is granted or
 the subject matter thereof unless by written agreement
 with or written permission from the corporation.



1. DISCONNECT BATTERY CLIP DURING STORAGE AND SHIPMENT.

Figure 5 Electronic Tray Assembly
 A009329-01 A



Figure 5 Electronic Tray Assembly
Parts List

Item	Part Number	Qty.	Description
1	009302-01	1	Electronic Tray
2	A007197-01	1	Power Supply Assembly - See Figure 6
3	A008962-02	1	Tape Deck Assembly - See Figure 8
4	81-701	1	Box, Cardboard (All Good Industries)
5	79-3104	1	Battery Holder (Chitose #33-3)
6	90-406	3	Alkaline Battery (Mallory or Equiv.) Size AA
7	A008944-01	1	Bear/Raccoon Tape
8	A008943-01	1	Witch Hunt Tape
9	007949-01	1	Raccoon Instruction Plex
10	007948-01	1	Hit The Bear Instruction Plex
11	008792-01	1	Extended Play Scores
12	46-202302	2	Fuses 3 AMP (Slow Blow)
13	72-6812	8	Screw, Sht. Met. Phil. Pan Hd. #8 x 3/4" Lg.

NOTICE TO ALL PERSONS RECEIVING THIS DRAWING
 CONFIDENTIAL. Reproduction forbidden without the
 specific written permission of Atari, Inc., Sunnyvale,
 California. This drawing is only conditionally issued, and
 neither receipt nor possession thereof confers or transfers
 any right in, or license to use, the subject matter of the
 drawing or any design or technical information shown
 thereon, nor any right to reproduce this drawing or any part
 thereof, except for manufacture by vendors of Atari Incor-
 porated and for manufacture under the corporation's writ-
 ten license, no right to reproduce this drawing is granted or
 the subject matter thereof unless by written agreement
 with or written permission from the corporation.

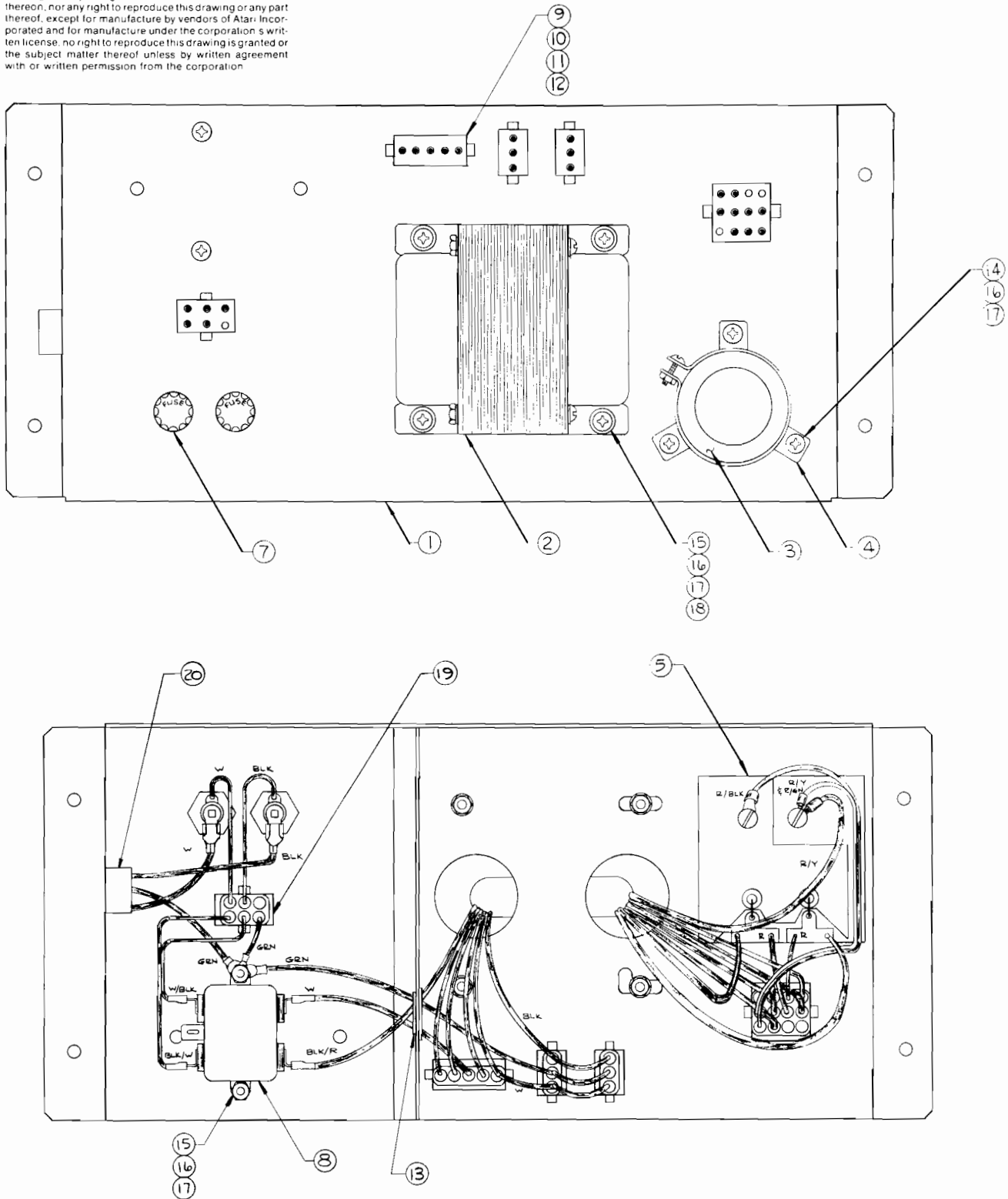


Figure 6 Power Supply Assembly
 A007197-01 D



Figure 6 Power Supply Assembly
Parts List

Item	Part Number	Qty.	Description
1	A009266-01	1	Power Supply Base Weldment Assembly
2	A006886-01	1	Transformer Termination Assembly
3	29-053	1	Cap., Sprague Electrolytic 26,000µf @ 15V
4	78-70501SC	1	Brkt., Cap. Mtg. Sprague #4586-48
5	A006555-01	1	P.C. Board Rectifier
6			
7	79-4411004	2	Fuse Holder, Panel Mounting
8	41-2003	1	Filter, Power Line, 5 AMP
9	A006958-C1	A/R	Volt Sel Block 95V
10	A006958-02	"	Volt Sel Block 110V
11	A006958-03	"	Volt Sel Block 205V
12	A006958-04	"	Volt Sel Block 220V
13	78-2708	1	Grommet, Plastic
14	72-1808S	3	Screw, Pan Hd., #8-32 x 1/2" Lg.
15	72-1812S	6	Screw, Pan Hd., #8-32 x 3/4" Lg.
16	75-058	9	Washer, Lock, Internal Star #8
17	75-918S	9	Nut, Hex #8
18	75-018S	4	Washer, Flat #8
19	A007192-01	1	Power Switch Termination
20	A007444-01	1	Power In Harness

NOTICE TO ALL PERSONS RECEIVING THIS DRAWING
 CONFIDENTIAL. Reproduction forbidden without the
 specific written permission of Atari, Inc., Sunnyvale,
 California. This drawing is only conditionally issued, and
 neither receipt nor possession thereof confers or transfers
 any right in, or license to use, the subject matter of the
 drawing or any design or technical information shown
 thereon nor any right to reproduce this drawing or any part
 thereof except for manufacture by vendors of Atari Incor-
 porated and for manufacture under the corporation's writ-
 ten license nor right to reproduce this drawing, granted or
 the subject matter thereof unless by written agreement
 with or written permission from the corporation.

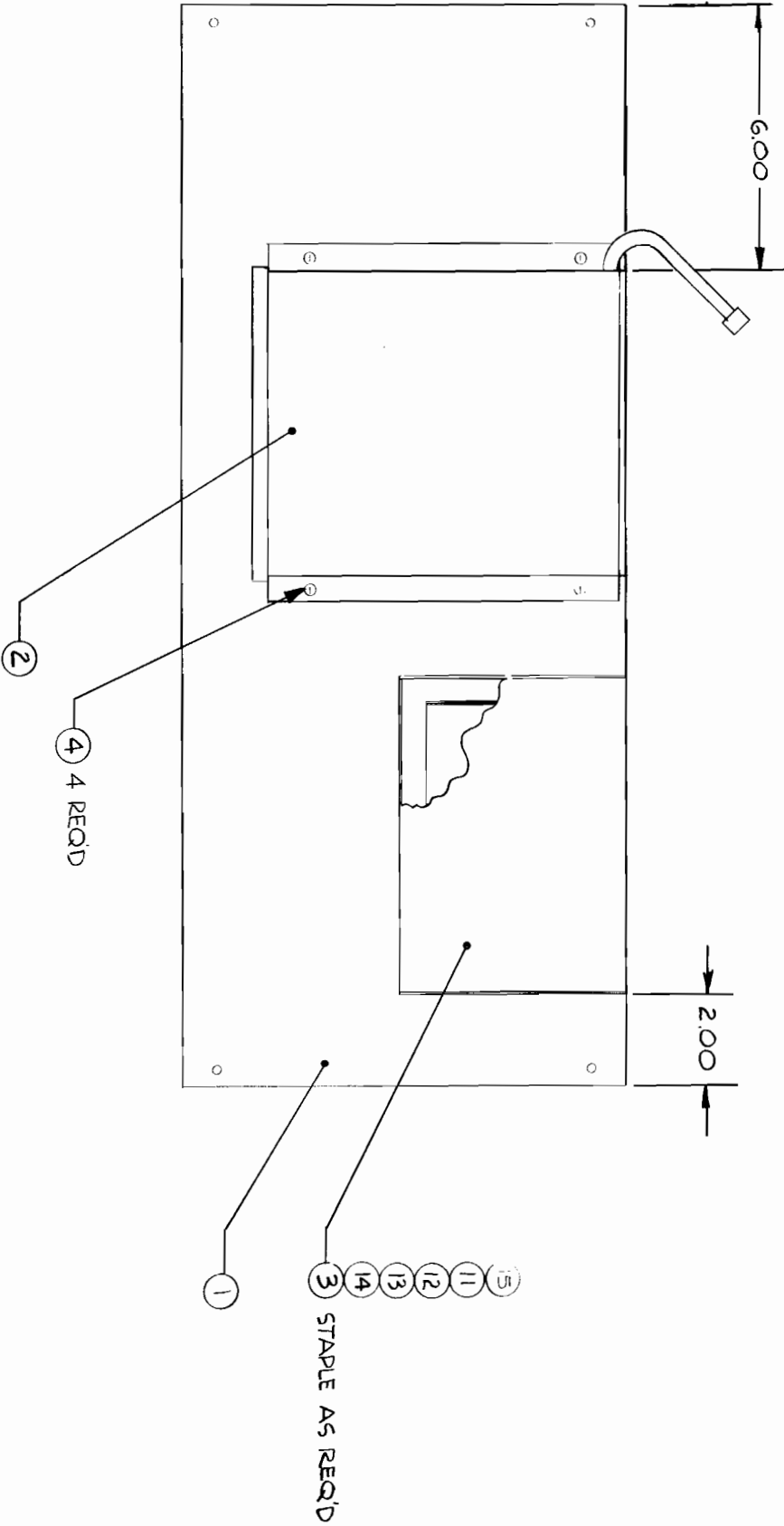


Figure 7 Tape Deck and Shelf Assembly
 A007947-02 C



Figure 7 Tape Deck and Shelf Assembly
Parts List

Item	Part Number	Qty.	Description
1	007929-01	1	Shelf Tape Deck
2A	A008962-01	1	Tape Deck Assy Tape Deck Assembly. Used only on early production Two Cabinet Games. No piece parts are available. Replace entire Tape Deck Assembly with item 2B.
2B	A008962-02	1	Tape Deck Assembly - See Figure 8
3	81-701	1	Box, Cardboard (All Good Industries)
4	72-6612	4	Screw, Sm, Pan Hd, Phil # 6 X 3/4" Lg.
5			
6			
7			
8			
9			
10			
11	A008944-01	1	Bear/Raccoon Tape
12	A008943-01	1	Witch Hunt Tape
13	007949-01	1	Raccoon Instruction Plex
14	007948-01	1	Hit The Bear Instruction Plex
15	008792-01	1	Extended Play scores

NOTICE TO ALL PERSONS RECEIVING THIS DRAWING
CONFIDENTIAL. Reproduction forbidden without the
specific written permission of Alari, Inc., Sunnyvale
California. This drawing is only conditionally issued and
neither receipt nor possession thereof confers or transfers
any right in or license to use, the subject matter of the
drawing or any design or technical information shown
thereon nor any right to reproduce this drawing or any part
thereof, except for manufacture under the corporation's writ-
ten license and for manufacture by vendors of Alari incor-
porated and for manufacture under the corporation's writ-
ten license. No right to reproduce this drawing is granted or
the subject matter thereof unless by written agreement or
with or written permission from the corporation.

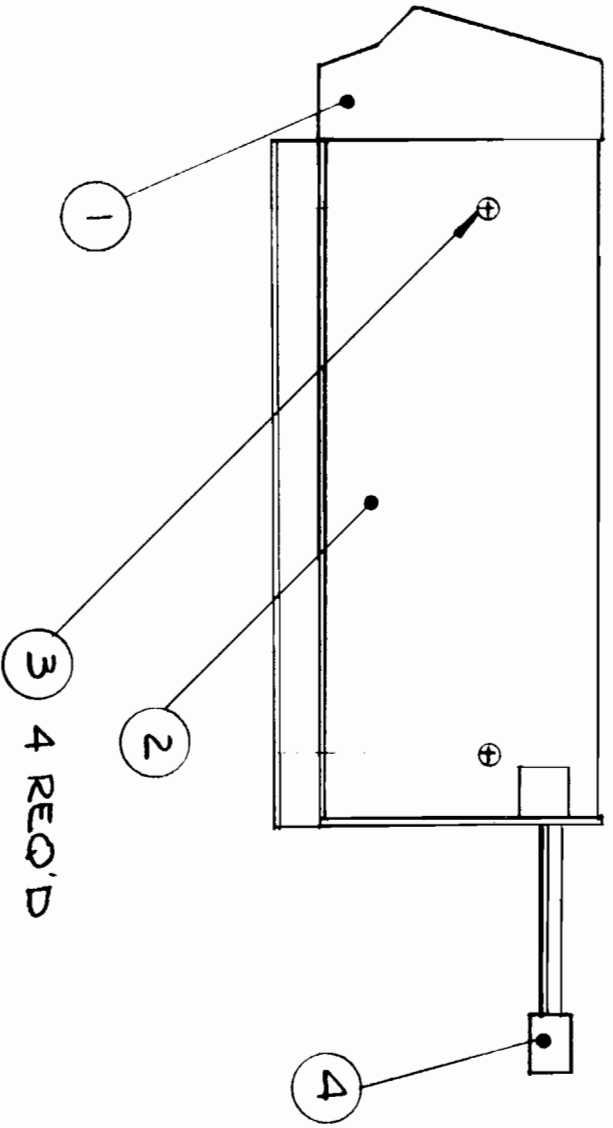
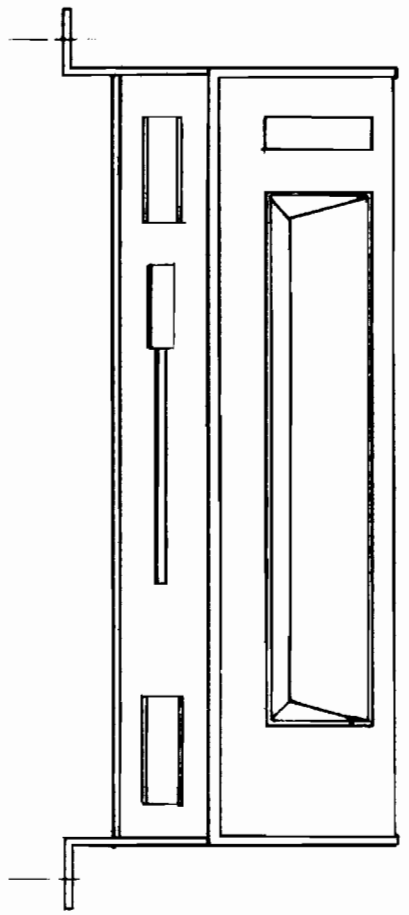



Figure 8 Tape Deck Assembly
A008962-02 A



Figure 8 Tape Deck Assembly
Parts List

Item	Part Number	Qty.	Description
1	A008310-02	1	Mecca Tape Deck, Wiring Assembly
2	008961-02	1	Tape Deck Cover (ABS)
3	72-6606	4	#6 x 3/8" Lg. SMS Screws

 A Warner Communications Company

NOTICE TO ALL PERSONS RECEIVING THIS DRAWING
 CONFIDENTIAL. Reproduction forbidden without the
 specific written permission of Atari, Inc., Sunnyvale,
 California. This drawing is only conditionally issued, and
 neither receipt nor possession thereof confers or transfers
 any right in, or license to use, the subject matter of the
 drawing or any design or technical information shown
 thereon nor any right to reproduce this drawing or any part
 thereof except for manufacture by vendors of Atari Inc.
 licensed and for manufacture under the corporation's writ-
 ten license no right to reproduce this drawing is granted or
 the subject matter thereof unless by written agreement
 with or written permission from the corporation

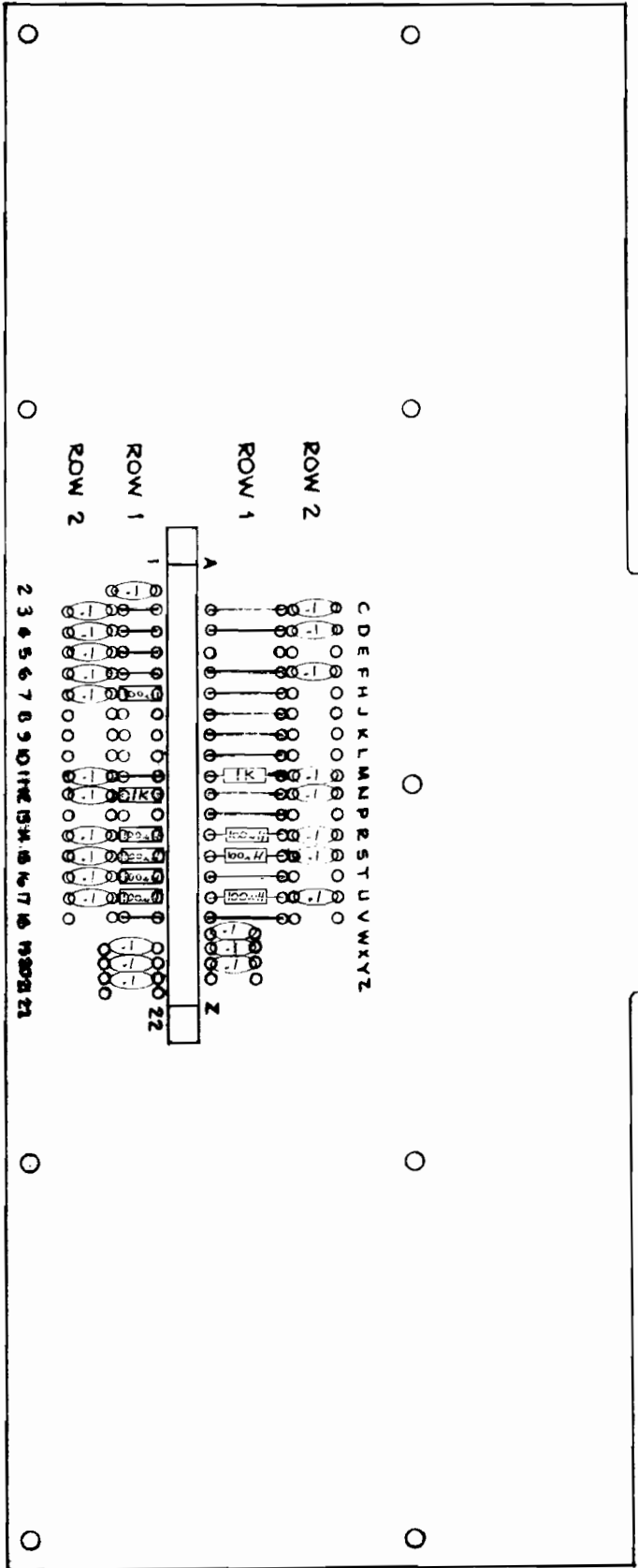
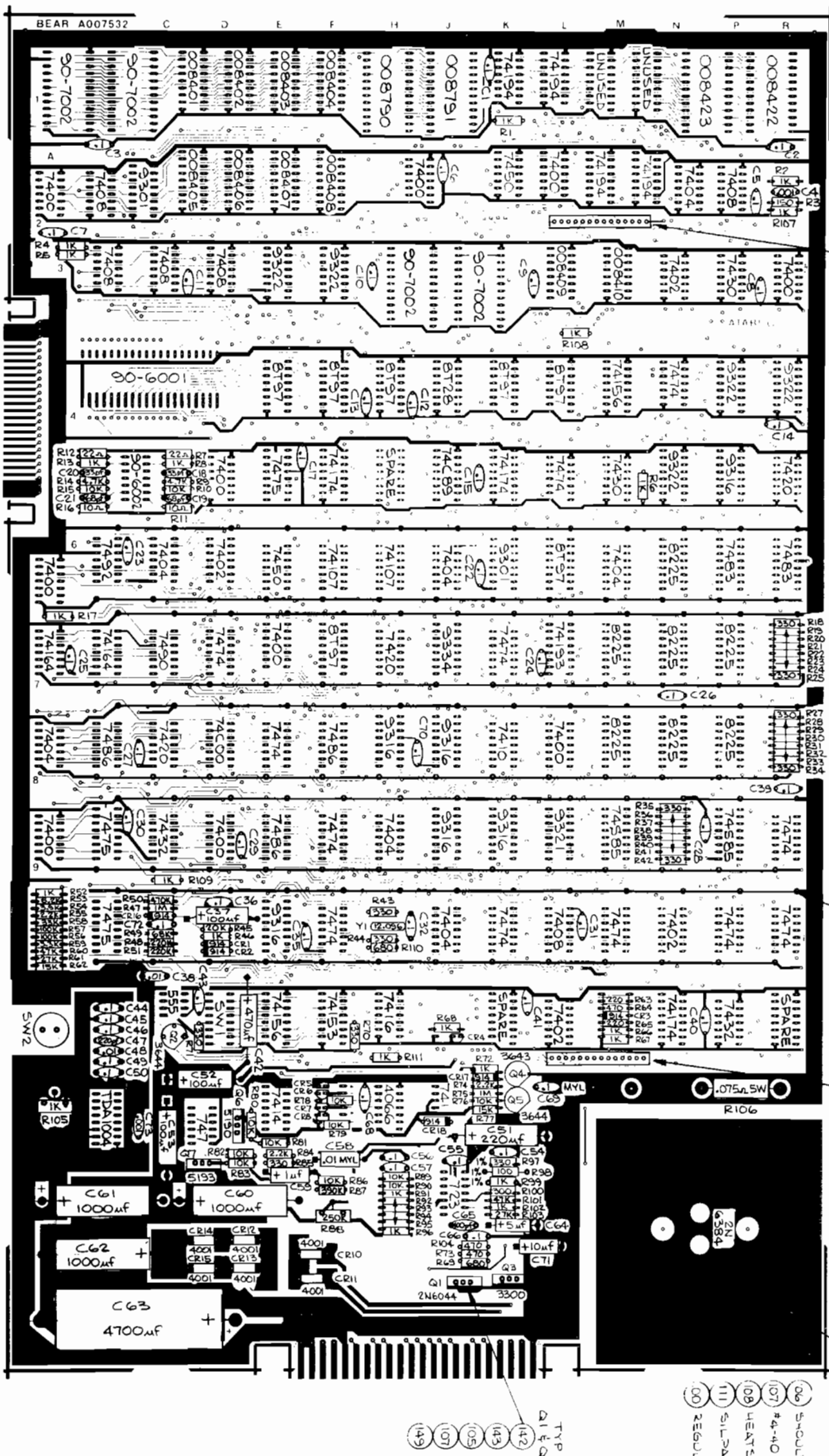


Figure 9 RF Shield PCB Assembly
 A008335-01 B



Figure 9 RF Shield PCB Assembly
Parts List

Item	Part Number	Qty.	Description
1	006549-01	1	P.C. Board
2	79-517222	1	Connector, 44Pin P.C. Mount
3	27-250104	26	Cap, Cer. Disc, 0.1 μ f 25V
4	52-003	13	Jumper, .60 Centers
5	52-004	11	Jumper, .30 Centers
6	41-3003	3	Inductor, 100 μ h, Large Case
7	41-3004	5	Inductor, 100 μ h, Small Case
8	10-5102	2	Res, Carb. Comp., $\frac{1}{4}$ W, 5% 1K OHM



140 JUMPER CABLE
116 10 PLACES

NOTICE TO ALL PERSONS RECEIVING THIS DRAWING
CONFIDENTIAL: Reproduction forbidden without the
specific written permission of Atari, Inc., Sunnyvale
California. This drawing is only conditionally issued and
neither receipt nor possession thereof conveys or transfers
any right in or license to use, the subject matter of the
drawing or any design or technical information shown
thereon, nor any right to reproduce this drawing or any part
thereof, except for manufacture by vendors of Atari Inc-
ported and for manufacture under the corporation's writ-
ten license; no right to reproduce this drawing is granted or
the subject matter thereof unless by written agreement
with or written permission from the corporation

- 103 #4-40x3/4 (2)
- 104 #4 L WASH EXT (2)
- 106 SHOULDER WASH (2)
- 107 #4-40 NUT (2)
- 108 HEAT SINK
- 109 SIL PADS
- 110 REGULATOR

TYP
Q1 #4.0
Q2 #1.0
142
143
144
145
146
147
148

Figure 10 Triple Hunt Game PCB Assembly
A007532-02 D



Figure 10 Triple Hunt Game PCB Assembly
Parts List

Item	Part Number	Qty.	Description
1	007533-01	1	PRINTED CIRCUIT BOARD
2	10-5100	2	RES, CARBON 5%, $\frac{1}{4}$ W, 10 OHM R11, 16
3	10-5102	25	" " " " 1K " R1,2, 4-6 ,8,13,17, 46,52,66-68, 72,102,91-96,107-109, III
4	10-5103	13	" " " " 10K " R10,15,45, 76,78,79,81-83, 86,89-90,80
5	10-5104	2	" " " " 100K " R56,57
6	10-5105	2	" " " " 1MEG " R47,75
7	10-5151	1	" " " " 150 R3
8	10-5153	2	" " " " 15K " R62,77
9			
10	10-5220	2	" " " " 22 R7,12
11	10-5221	2	" " " " 220 " R63,65
12	10-5222	3	" " " " 2.2K R55,74,84
13	10-5224	2	" " " " 220K " R48,51
14	10-5273	2	" " " " 27K " R61,103
15	10-5301	1	" " " " 300 " R100
16	10-5331	29	" " " " 330 " R43,44,70,71,85, 18-25, 27-42
17	10-5332	1	" " " " 3.3K " R59
18	10-5333	1	" " " " 33K " R58
19	10-5392	1	" " " " 3.9K " R54
20	10-5394	1	" " " " 390K " R87
21	10-5471	3	" " " " 470 " R64, 73,104
22	10-5472	2	" " " " 4.7K " R9,14,
23	10-5473	2	" " " " 47K " R60,101
24	10-5203	1	" " " " 20K " R45



Figure 10 Triple Hunt Game PCB Assembly
Parts List

Item	Part Number	Qty.	Description
25	10-5474	1	Res Carbon, 5% 1/4W 470K OHM R50
26	10-5681	2	Res Carbon, " " 680 " R110 ,69
27	10-5683	1	" " " " 68K " R49
28	10-5822	1	" " " " 8.2K " R53
29	14-1101	1	" " 1% " 100 " R98
30	14-1102	1	" " " " 1K " R99
31	14-1331	1	" " " " 330 " R97
32	19-315102	1	Trimpot, 1K R105
33	19-315254	1	Trimpot, 250K R88
34	19-851WP075	1	Res, Wirewound 5W .075 OHM R106
35	21-101103	1	Cap, Mylar, .01 μ f C58
36			
37	24-250105	1	Cap Electrolytic 1 μ f 25V C59,
38	24-250505	1	" " 5 μ f " C64
39	24-250107	3	" " 100 μ f " C52,53,37
40	24-250227	1	" " 220 μ f " C51
41	24-250477	1	" " 470 μ f " C42
42	24-250108	3	" " 1000 μ f " C60,61,62
43	24-250478	1	" " 4700 μ f " C63
44	27-250102	2	Cap, Ceramic Disc .001 μ f " C4, ,73
45	27-250103	2	" " " .01 μ f " C38,48
46	27-250104	45	" " " .1 μ f " C1-3,5-15,17, 22-32,35,36, 39-41,44,45, 46,49,50,54, 55,56,57,68, 66,43,70,72
47	28-101330	2	Cap, Dipped Mica 33pf 100V C18,20
48	28-101680	2	" " " 68pf 100V C19,21
49	28-101101	1	" " " 100pf " C65



Figure 10 Triple Hunt Game PCB Assembly
Parts List

Item	Part Number	Qty.	Description	
50	28-101221	1	" " "	200pf " C47
51	31-1N4001	6	Diode, 1N4001	CR10-15
52	31-1N914	6	" 1N914	CR1-3, 16-18
53	31-MBD501	5	" MBD-501	CR4-8
54	33-2N3644	2	Transistor 2N3644	Q2, Q5
55	33-2N5193	1	" 2N5193	Q7
56	34-2N3643	1	Transistor 2N3643	Q4
57	34-2N5190	1	" 2N5190	Q6
58	34-MJE3300	1	" MJE3300	Q3
59	37-7400	10	Integrated Circuit 7400	A2,A6,A9,D5,D9 E7,H/J2,L8,R3 L2
60	37-74C00	1	" " 74C00	D8
61	37-7402	4	" " 7402	D6,L11,N3,N10
62	37-7404	7	" " 7404	A8,C6,H9,J6,J10 N2,M6
63	37-7408	6	" " 7408	B2,B3,C3,D3,L10 P2
64	37-7410	1	" " 7410	K8
65	37-7414	1	" " 7414	E12
66	37-7416	1	" " 7416	H11
67	37-7420	3	" " 7420	C8,H7,R5
68	37-7430	2	" " 7430	M5,P3
69	37-7432	2	" " 7432	C9,P11
70	37-7450	2	" " 7450	E6,K2
71	37-7474	12	" " 7474	D7, E8,F9,F10, K7,K10,L5,M10, N4,P10,R9,R10
72	37-7475	3	" " 7475	B9,B10,E5
73	37-7483	2	" " 7483	P6,R6
74	37-74S85	2	" " 74S85	M9,P9
75	37-7486	3	" " 7486	B8,E9,F8



Figure 10 Triple Hunt Game PCB Assembly
Parts List

Item	Part Number	Qty.	Description			
76	37-74C89	1	"	"	74C89	J5
77	37-7490	1	"	"	7490	C7
78	37-7492	1	"	"	7492	B6
79	37-74107	2	"	"	74107	F6,H6
80	37-74153	1	"	"	74153	F11
81	37-74156	1	"	"	74156	E11
82	37-74164	2	"	"	74164	A7,B7
83	37-74166	1	"	"	74166	M4
84	37-74174	3	"	"	74174	F5,K5,N11
85	37-74193	1	"	"	74193	L7
86	37-74194	4	"	"	74194	K1, L1, M2, M/N2
87	37-9301	2	"	"	9301	C2,K6
88	37-9316	6	"	"	9316	E10,H8,K9,J8, J9,P5
89	37-9321	1	Integrated Circuit		9321	L9
90	37-9322	5	"	"	9322	E3,F3,N5,P4,R4
91	37-9334	1	"	"	9334	J7
92	37-723	1	"	"	723	J13
93	37-741	1	"	"	741	J12
94	37-747	1	"	"	747	D12
95	37-4066	1	"	"	4066	H12
96	37-555	1	"	"	555	C11
97	37-8T97	7	"	"	8T97	E4,F4,F7,H4, K4,L4,L6
98	37-8225	7	"	"	8225	N6,M7,M8,N7,N8, P7,P8
99	37-TDA1004	1	"	"	TDA1004	B12
100	34-2N6384	1	Regulator		2N6384	
101	62-001	1	Switch, Momentary SPST SW2			
102	66-118PIT	1	Switch, DIP 8 Stations SPST SW1 D11			



Figure 10 Triple Hunt Game PCB Assembly
Parts List

Item	Part Number	Qty.	Description	
103	72-1412C	2	Screw, Machine, Pan HD. PH. #4-40 X 3/4 Cres	
104	72-034	2	Washer Lock, External Star #4	
105	75-054	2	Washer, Lock, Internal Star #4	
106	75-09014T	2	Washer, Shoulder	
107	75-914C	4	Nut, Hex, #4-40, Cres	
108	008412-01	1	Heatsink, 2N6055	
109	78-06022	1	Heatsink, TDA1004	
110	78-13016	AR	Cement, Heatsink	
111	78-16005	1	Silpad	
112	90-102	1	Crystal, 12.096 MHz	Y1
113	90-6001	1	I.C., Microprocessor	C4
114	90-6002	1	I.C.	B/C5
115	90-7002	4	I.C.	A1,B1,H3,K3
116	007749	10	Bus Bar, 13-Post	
133	008409-01	1	Bear Character PROM 1	L3
134	008410-01	1	" " " 2	M3
135	008422-01	1	Bear Picture Rom A	R1
136	008423-01	1	Bear Picture Rom B	N/P1
137	008790-01	1	Bear Program Rom 1	H-1
138	008791-01	1	Bear Program Rom 2	J-1
139	37-8 T28	1	Intergrated Circuit 8T28	J4
140	008789-01	1	Jumper Cable, 14 Position	
141	34-2N6044	1	Transistor, 2N6044	Q1
142	78-06017	2	Heatsink	Q1,Q6
143	72-1406	2	Screw, Mach, Pan Hd Ph, #4-40x3/8	
144				
145	79-42040	1	Socket, 40 Pin, Med. Insertion	C4
146	24-250106	1	Cap, Electrolytic, 10µf, 25V	C71
147	21-101104	1	Cap, Mylar 0.1µf, 100V	C69
148				
149	78-16001	A/R	Silicon Compound	Q1,Q6

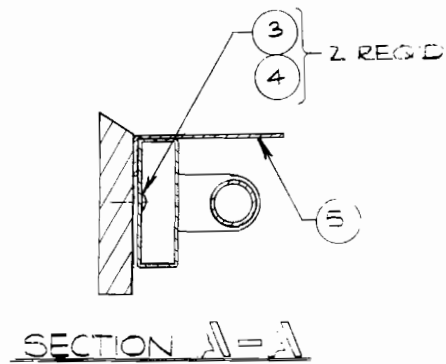
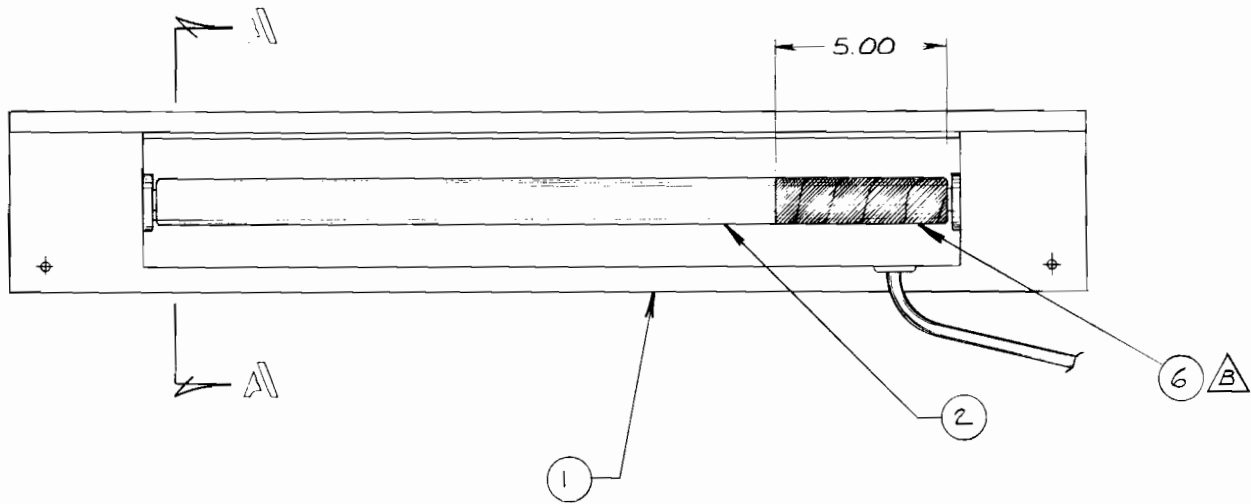


Figure 11 Single Cabinet Top Black Light Assembly
A009357-01 C



Figure 11 Single Cabinet Top Black Light Assembly
Parts List

Item	Part Number	Qty.	Description
1	009311-01	1	Top Mount Board, Black-Lite
2	A006917-03	1	Type A Fluorescent Light Assembly
3	72-6610	2	Screw, Sht. Met., #6 x 5/8" Lg.
4	75-010S	2	Washer, Flat, #10
5	009363-01	1	Metal Light Shield
6	78-67032	A/R	Black Phototape 2" wide

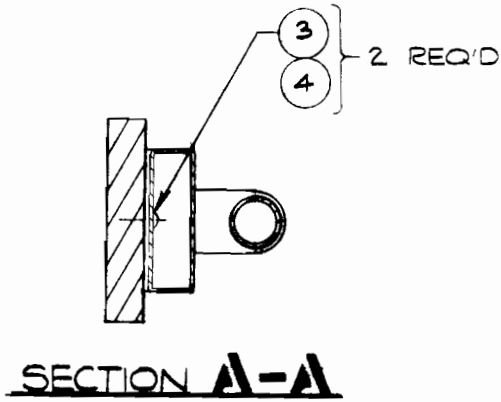
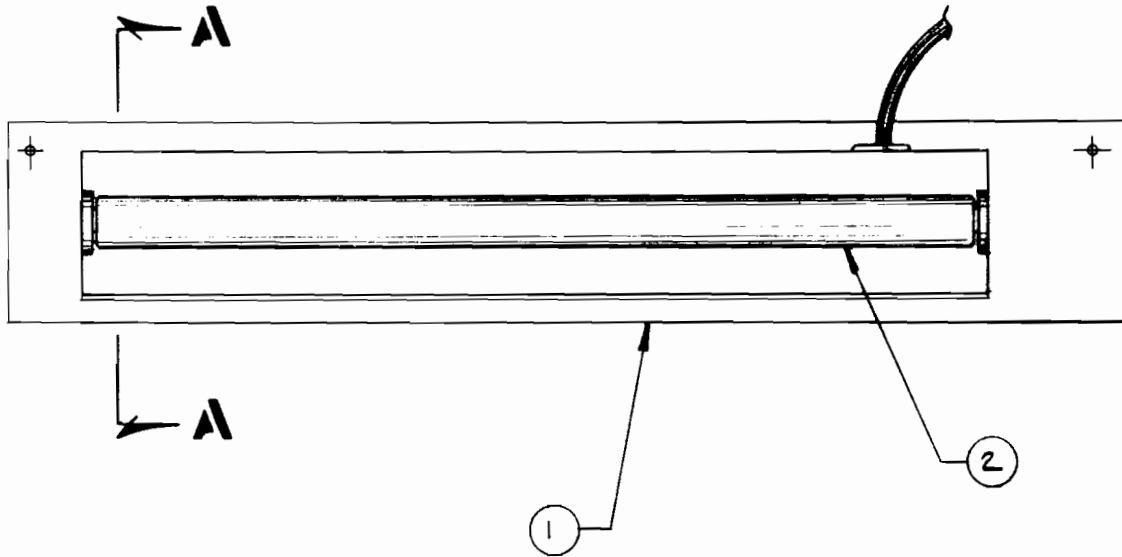


Figure 12 Single Cabinet Lower Black Light Assembly
A009337-01 B



Figure 12 Single Cabinet Lower Black Light Assembly
Parts List

Item	Part Number	Qty.	Description
1	009300-01	1	Lower Mount Board, Black-Lite
2	A006917-11	1	Fluorescent Light Assy Type A (18" Harness)
3	72-6610	2	Screw, Sht. Met., #6 x 5/8" Lg.
4	75-010S	2	Washer, Flat, #10

NOTICE TO ALL PERSONS RECEIVING THIS DRAWING
 CONFIDENTIAL. Reproduction forbidden without the
 specific written permission of Atari, Inc., Sunnyvale,
 California. This drawing is only conditionally issued, and
 neither receipt nor possession thereof confers or transfers
 any right in or license to use the subject matter of the
 drawing or any design or technical information shown
 hereon, nor any right to reproduce this drawing or any part
 thereof, for any purpose whatsoever, by vendors of Atari incor-
 porated and/or manufacturers of components of Atari incor-
 porated, or any other person, without the express written
 license, no right to reproduce, or any agreement or
 with or written permission from the corporation.

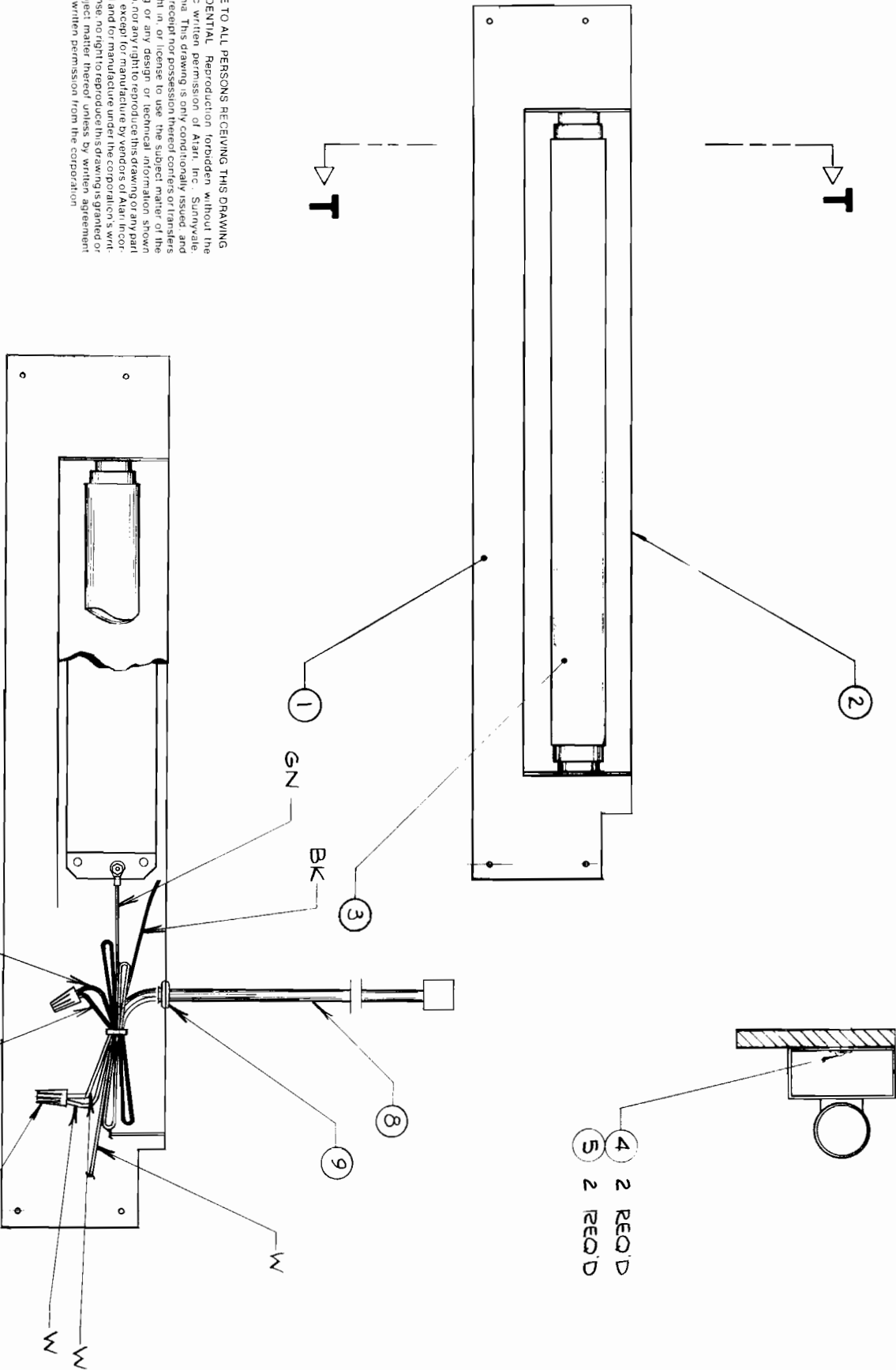


Figure 13 Two-Cabinet Top Display Assembly
 A008364-01 C



Figure 13 Two-Cabinet Top Display Assembly
Parts List

Item	Part Number	Qty.	Description
1	007967-01	1	Board, Light Mount, Top
2	93-104	1	Simkar Fluorescent Fixture 18"
3	70-308	1	Fluorescent Tube 18" (F15T8/BLB)
4	72-6610	2	#6 x 5/8 Screw sms
5	75-010S	2	Washer, Flat #10
6			
7			
8	A009062-02	1	Fluorescent Harness 100" Lg.
9	78-2652	1	Grommet, Rubber
10	78-24001	A/R	Tie Wrap
11	79-561816	2	Wire Nut, Ideal 71-B

NOTICE TO ALL PERSONS RECEIVING THIS DRAWING
 CONFIDENTIAL. Reproduction forbidden without the
 specific written permission of Alari, Inc., Sunnyvale,
 California. This drawing is only conditionally issued, and
 neither receipt nor possession thereof confers or transfers
 any right in, or license to use, the subject matter of the
 drawing or any design or technical information shown
 thereon, nor any right to reproduce this drawing or any part
 thereof, except for manufacture by vendors of Alari incor-
 porated and for manufacture under the corporation's writ-
 ten license. No right to reproduce this drawing is granted or
 the subject matter thereof unless by written agreement
 with or written permission from the corporation.

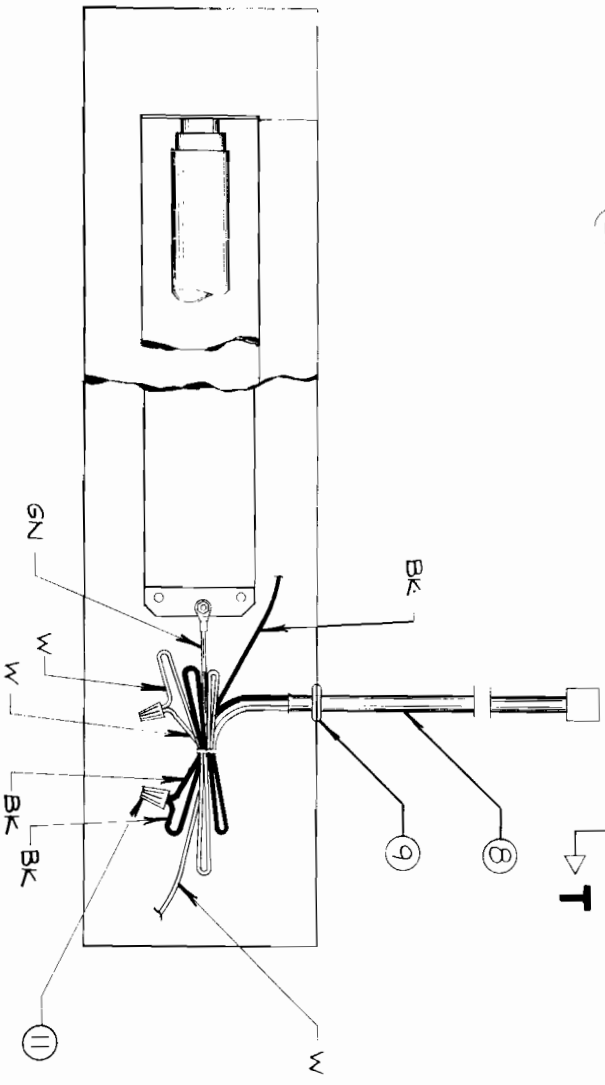
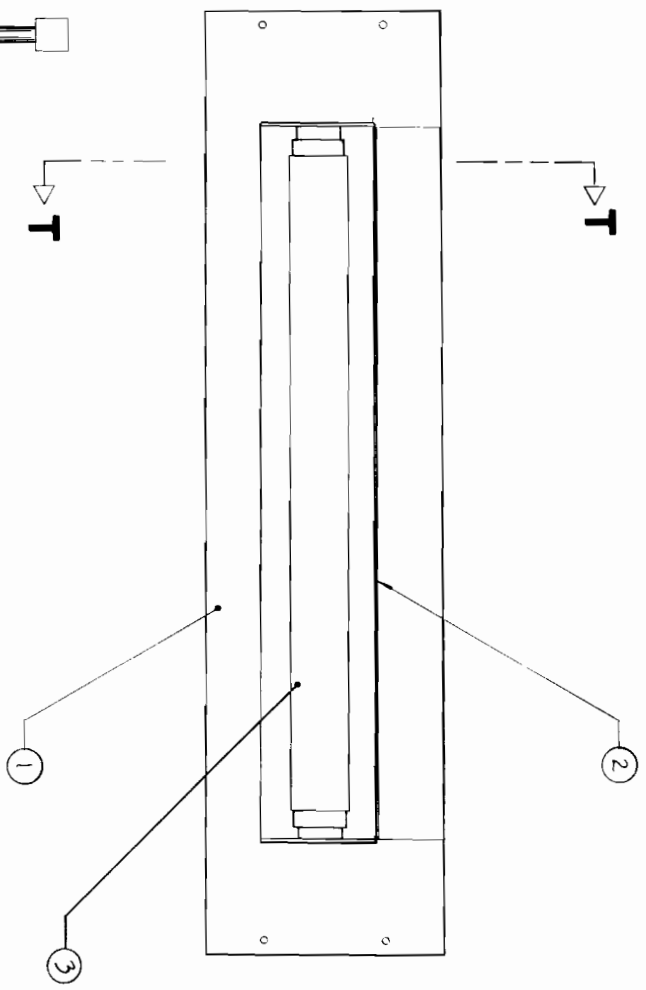
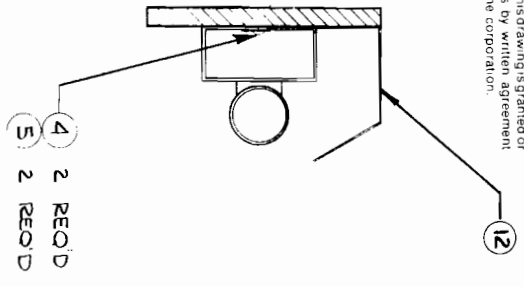


Figure 14 Two-Cabinet Bottom Display Assembly
 A008363-01 B



Figure 14 Two-Cabinet Bottom Display Assembly
Parts List

Item	Part Number	Qty.	Description
1	007964-01	1	Board, Light Mount, Front
2	93-104	1	Fluorescent Fixture 18"
3	70-306	1	Fluorescent Tube 18" (Black - Lite F 15 T8/ BLB)
4	72-6610	2	#6x5/8 sms
5	75-010S	2	Washer, Flat #10
6			
7			
8	A006916-03	1	Fluorescent Harness 82" Lg.
9	78-2652	1	Grommet, Rubber
10	78-24001	A/R	Tie Wrap
11	79-561816	2	Wire Nut, Ideal 71-B
12	008375-01	1	Metal Light Shield

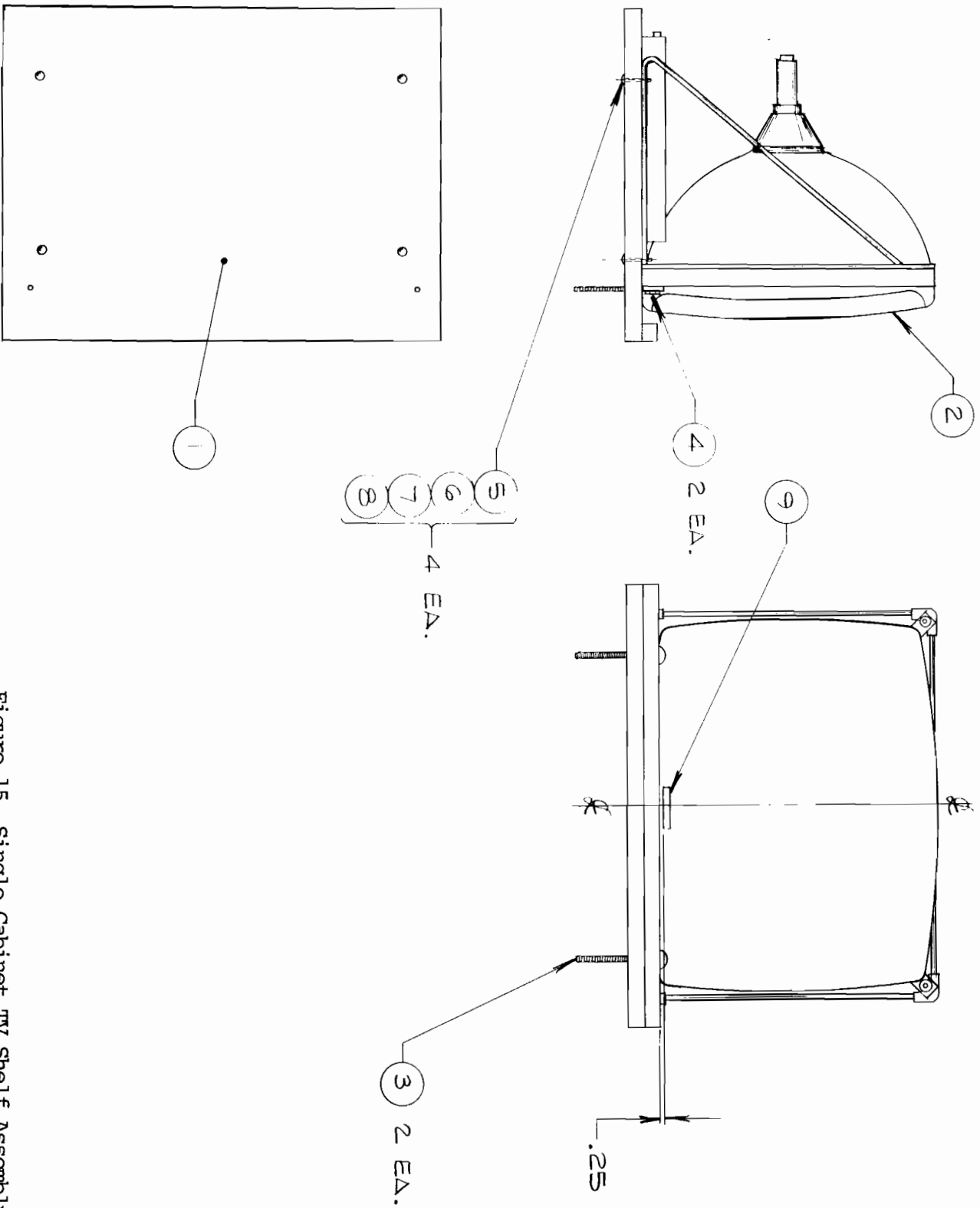


Figure 15 Single Cabinet TV Shelf Assembly
A009336-01 A



Figure 15 Single Cabinet TV Shelf Assembly
Parts List

Item	Part Number	Qty.	Description
1	009295-01	1	T.V. SHELF
2	92-032	1	23-inch TV Monitor, Motorola Model M7000-155
	or		
	92-030	1	23-inch TV Monitor, TEC Model 623
3	82-404	2	EYE BOLT $\frac{1}{4}$ -20 x 4" LG.
4	72-6012	2	SCREW, SHT. MET. PHIL. PAN HD. #10 x 3/4 LG.
5	75-5120N	4	BOLT, CARRIAGE, #10-24 x 1.25" LG.
6	75-010S	4	WASHER, FLAT, #10
7	75-040	4	WASHER, SPLIT LOCK, #10
8	75-911S	4	HEX NUT, #10-24
9	006319-02	1	COPYRIGHT DECAL, 1977

NOTICE TO ALL PERSONS RECEIVING THIS DRAWING
 CONFIDENTIAL. Reproduction forbidden without the
 specific written permission of Alari, Inc., Sunnyvale,
 California. This drawing is only conditionally issued and
 neither receipt nor possession thereof confers or transfers
 any right in, or license to use, the subject matter of the
 drawing or any design or technical information shown
 thereon nor any right to reproduce this drawing or any part
 thereof, except for manufacture under the corporation's writ-
 ten license; no right to reproduce this drawing is granted or
 the subject matter thereof unless by written agreement
 with or written permission from the corporation.

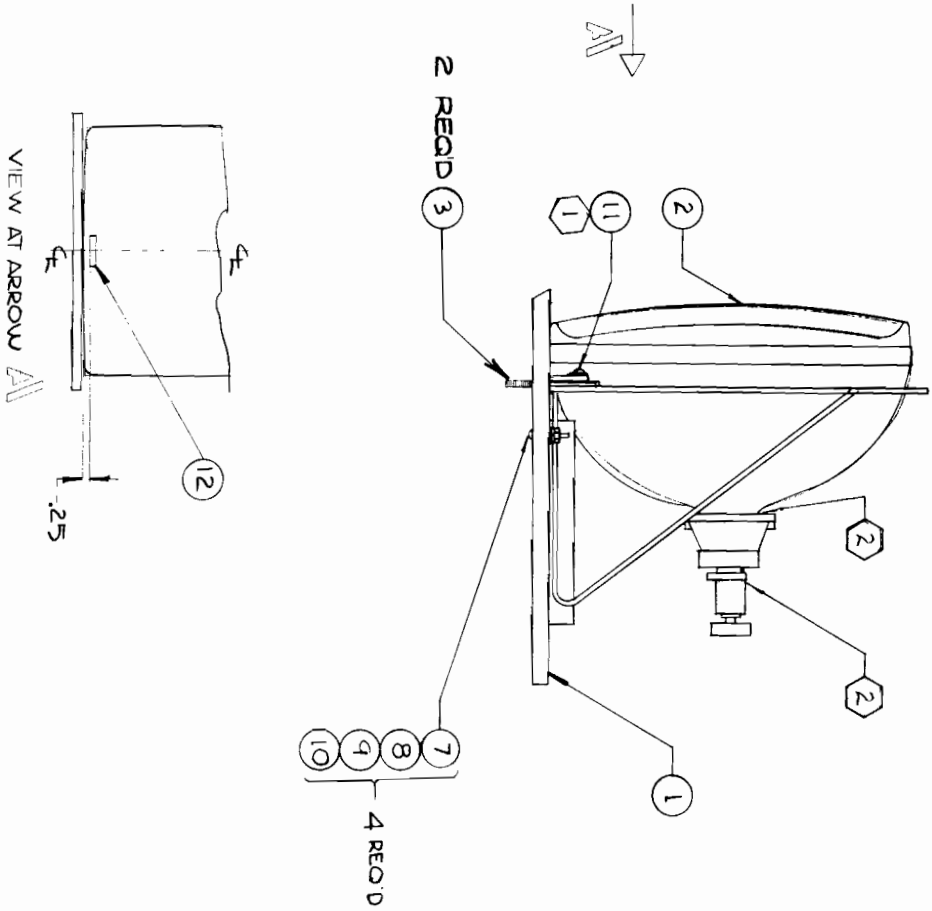
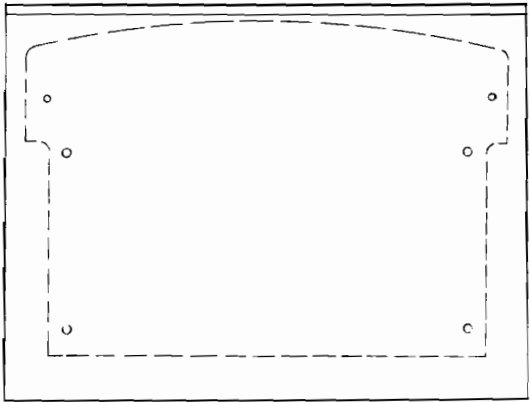


Figure 16 Two-Cabinet TV Shelf Assembly
 A008365-01 D



Figure 16 Two-Cabinet TV Shelf Assembly
Parts List

Item	Part Number	Qty.	Description
1	008331-01	1 ref	T.V. SHELF
2	92-032	1	23-inch TV Monitor, Motorola Model M7000-155
	or 92-030	1	23-inch TV Monitor, TEC Model 623
3	82-404	2	EYE BOLT, $\frac{1}{4}$ -20 x4 " LG.
4			
5			
6			
7	75-5120N	4	BOLT, CARRIAGE #10-24 x 1.25" LG.
8	75-010S	4	WASHER, FLAT #10
9	75-040	4	WASHER, SPLIT-LOCK #10
10	75-911S	4	HEX NUT, #10-24
11	72-6012	2	SCREW, SM #10 x 3/4 PH. PAN. HD.
12	006319-02	1	Copyright Decal 1977

NOTICE TO ALL PERSONS RECEIVING THIS DRAWING
 CONFIDENTIAL. Reproduction forbidden without the
 specific written permission of Atari, Inc. Sunnyvale,
 California. This drawing is only conditionally issued, and
 neither receipt nor possession thereof confers or transfers
 any right in or license to use the subject matter of the
 drawing or any design or technical information shown
 hereon nor any right to reproduce this drawing or any part
 thereof, except for manufacture by vendors of Atari incor-
 porated and for manufacture under the corporation's con-
 trolled supervision. No part of this drawing is to be dis-
 seminated, copied, or otherwise made available to the
 subject matter thereof unless by written agreement
 with or written permission from the corporation.

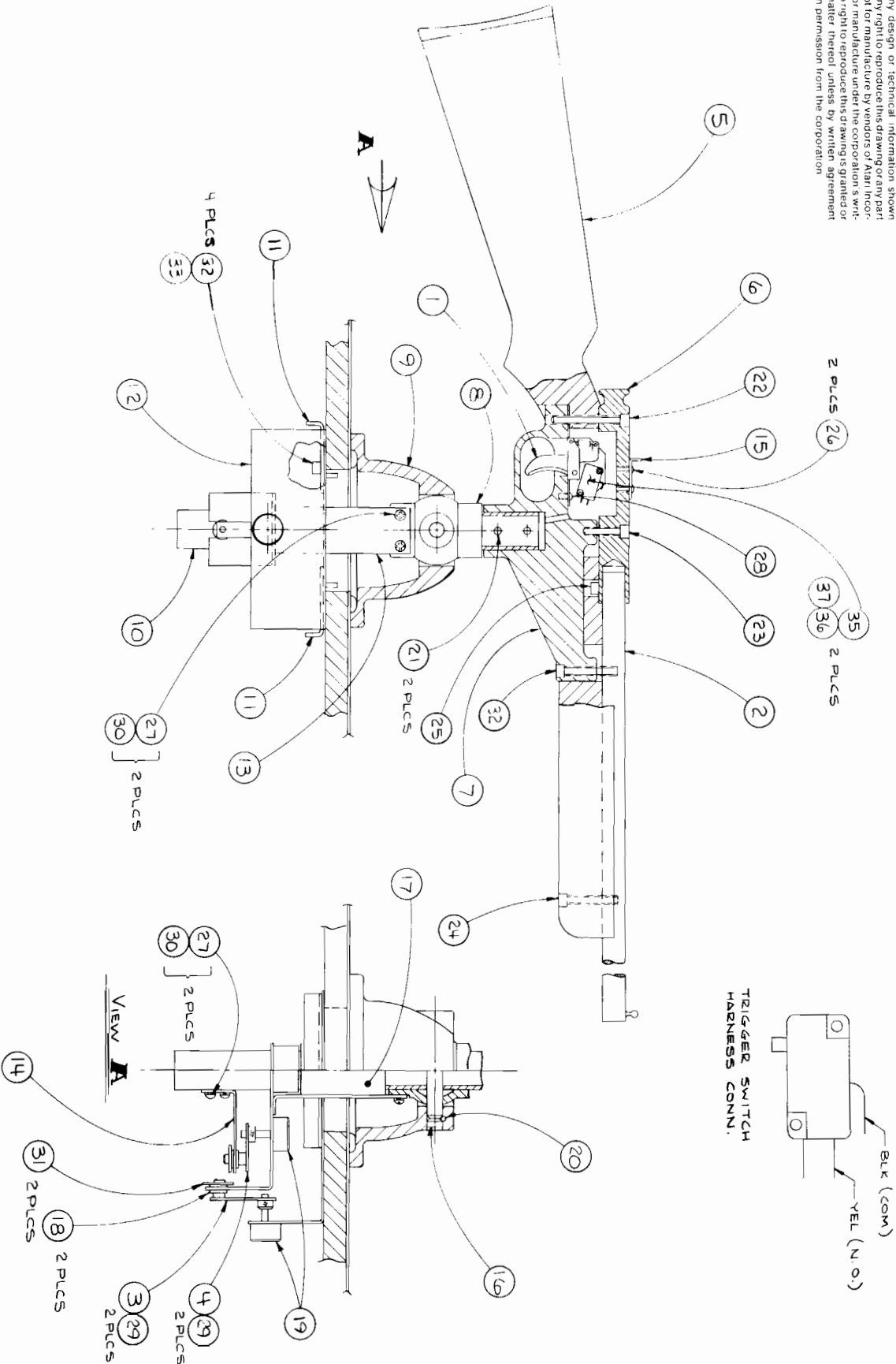


Figure 17 Rifle and Pot Mount Assembly
 A008315-01 B and -02 A

NOTICE TO ALL PERSONS RECEIVING THIS DRAWING
 CONFIDENTIAL. Reproduction forbidden without the
 specific written permission of Atari, Inc., Sunnyvale,
 California. This drawing is only conditionally issued and
 neither receipt nor possession thereof confers or transfers
 any right in, or license to use, the subject matter of the
 drawing or any design or technical information shown
 hereon, nor any right to reproduce this drawing or any part
 thereof, except for manufacture by vendors of Atari incor-
 porated and for manufacture under the corporation's writ-
 ten license; no right to reproduce this drawing is granted or
 the subject matter thereof unless by written agreement
 with or written permission from the corporation.

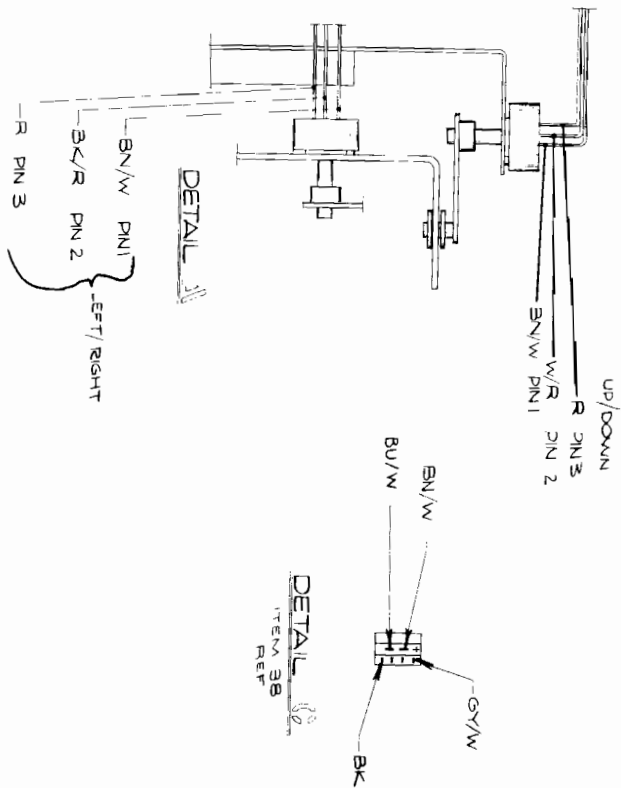
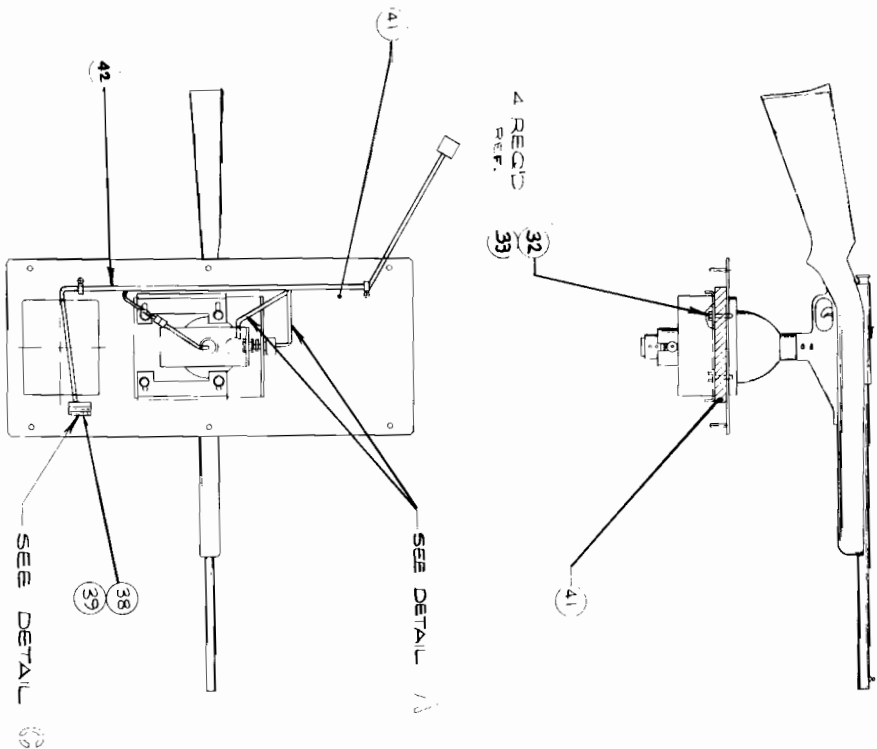


Figure 17 Rifle and Pot Mount Assembly
 A008315-01 B and -02 A



Figure 17 Rifle and Pot Mount Assembly
Parts List

NOTE:

The only difference between Rifle and Pot Mount Assembly part numbers A008315-01 and -02 is the -02 has a shorter gun barrel.

Item	Part Number	Qty.	Description
1	A008833-01	1	Trigger Switch Assembly
2A	A008834-01	1	Barrel Assembly - Used only on Single Cabinet games
2B	A008834-02	1	Barrel Assembly - Used only on Two-Cabinet games
3	A008840-01	1	Pot Linkage
4	A008841-01	1	Pot Linkage
5	008317-01	1	Rifle Stock
6	008319-01	1	Receiver
7	008322-01	1	Rifle Mount
8	005309-01	1	Ball
9	005308-01	1	Pot Mount
10	005317-01	1	Center Post
11	005313-01	2	Bumper Bracket
12	005334-01	1	Backing Plate
13	005315-01	1	Center Post Bracket
14	005314-01	1	Linkage Bracket
15	008323-01	1	Rear Sight
16	005310-01	1	Retaining Pin
17	005312-01	1	Rubber Stop
18	005333-01	2	Hub
19	007903-01	2	Special Pot
20	73-20812	1	Roll Pin
21	73-21228	2	Roll Pin, 3/16 x 1 3/4 Lg.
22	72-8536	1	Scr. Mach., 1/4-20 x 2.25 Lg. Soc. Hd. Blk
23	72-8520	1	Scr. Mach., 1/4-20 x 1.25 Lg. Soc. Hd. Blk
24	72-852E	1	Scr. Mach., 1/4-20 x 1.75 Lg. Soc. Hd. Blk
25	72-8804	1	Scr. Mach., 8-32 x .25 Lg. Soc. Hd. Blk
26	75-3406 B	2	Scr. Mach., 4-40 x .38 Lg. Flat Hd. Blk
27	72-1806S	4	Scr. Mach., 8-32 x .38 Lg. Pan Hd.
28	72-1605C	1	Scr. Mach., 6-32 x .31 Lg. Rd. Hd.
29	75-4606	4	Scr. Set, 6-32 x .38 Lg. Allen
30	75-048	4	Washer, #8, Split-Lock
31	73-3001	2	Retaining 'E' Ring (1/4 Shaft)
32	72-8524	5	Screw, Mach., 1/4-20 x 1.50 Lg. Soc. Hd.
33	75-045	4	Washer, #1/4, Split-Lock
34	A008308-01	1	Trigger Switch Harness
35	65-191C	1	Switch, Cherry
36	72-1408C	2	Screw, Mach., #4-40 x 1/2 Lg.
37	75-044	2	Washer, #4, Split-Lock
38	62-002	1	L.E.D. Switch
39	001856-01	1	Alum. Bushing



Figure 17 Rifle and Pot Mount Assembly
Parts List

Item	Part Number	Qty.	Description
40	007951-01	1	Gun Mount Control Panel W/Graphics
41	007919-01	1	Gun Mount Spacer
42	A008307-01	1	Control Panel Harness

NOTICE TO ALL PERSONS RECEIVING THIS DRAWING:
 CONFIDENTIAL. Reproduction forbidden without the
 specific written permission of Atari, Inc., Sunnyvale,
 California. This drawing is only conditionally issued and
 neither receipt nor possession thereof confers or transfers
 any right in, or license to use, the subject matter of the
 drawing or any design or technical information shown
 thereon, nor any right to reproduce this drawing or any part
 thereof, except for manufacture by vendors of Atari Incor-
 porated and for manufacture under the corporation's writ-
 ten license; no right to reproduce this drawing is granted or
 the subject matter thereof unless by written agreement
 with or written permission from the corporation.

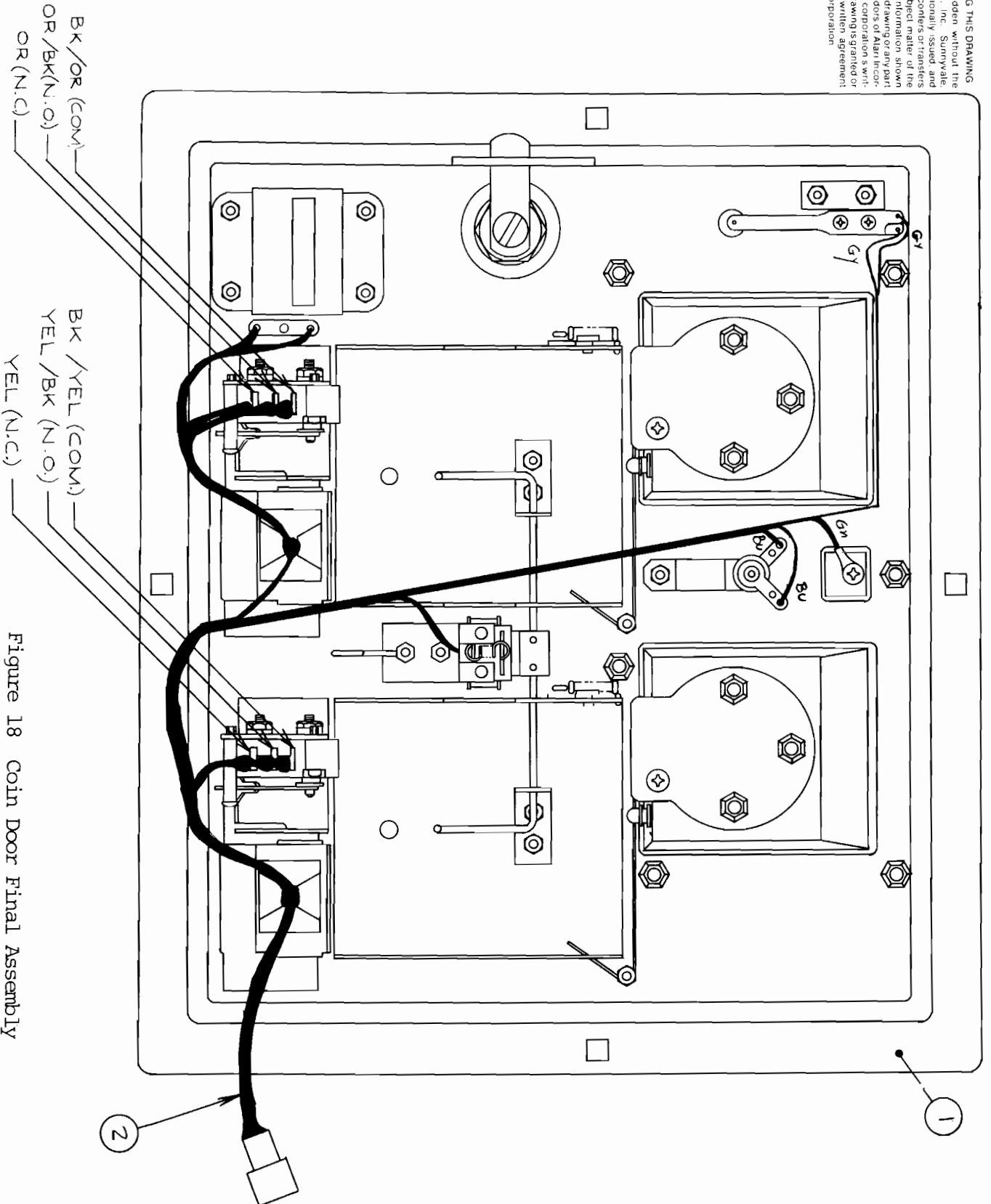


Figure 18 Coin Door Final Assembly
 A009083-01 through -07 C



Figure 18 Coin Door Final Assembly
Parts List

Item	Part Number	Qty.	Description
1	A006794-01	1	Coin Door Assy. for American Quarter Only - See Figure 19.
	A006794-02	Ref.	Coin Door Assy. for Belgian 5 Francs Only - See Figure 19.
	A006794-03	Ref.	Coin Door Assy. for German Mark Only - See Figure 19.
	A006794-04	Ref.	Coin Door Assy. for Swedish Krona Only - See Figure 19
	A006794-05	Ref.	Coin Door Assy. for Japanese 100 Yen Only - See Figure 19.
	A006794-06	Ref.	Coin Door Assy. for English 10 Pence Only - See Figure 19
	A006794-07	Ref.	Coin Door Assy. for Australian 20-Cent Piece Only - See Figure 19.
2	A006921-01	1	Harness Assembly

NOTICE TO ALL PERSONS RECEIVING THIS DRAWING
 CONFIDENTIAL. Reproduction forbidden without the
 specific written permission of Alari Inc. Sunnyvale
 California. This drawing is only conditionally issued and
 neither receipt nor possession thereof confers or transfers
 any right in, or license to use, the subject matter of the
 drawing or any design or technical information shown
 thereon, nor any right to reproduce this drawing or any part
 thereof, except for manufacture under the corporation's writ-
 ten license, and for manufacture by vendors of Alari incor-
 porated and for manufacture under the corporation's writ-
 ten license, no right to reproduce this drawing is granted or
 the subject matter thereof unless by written agreement
 with or written permission from the corporation.

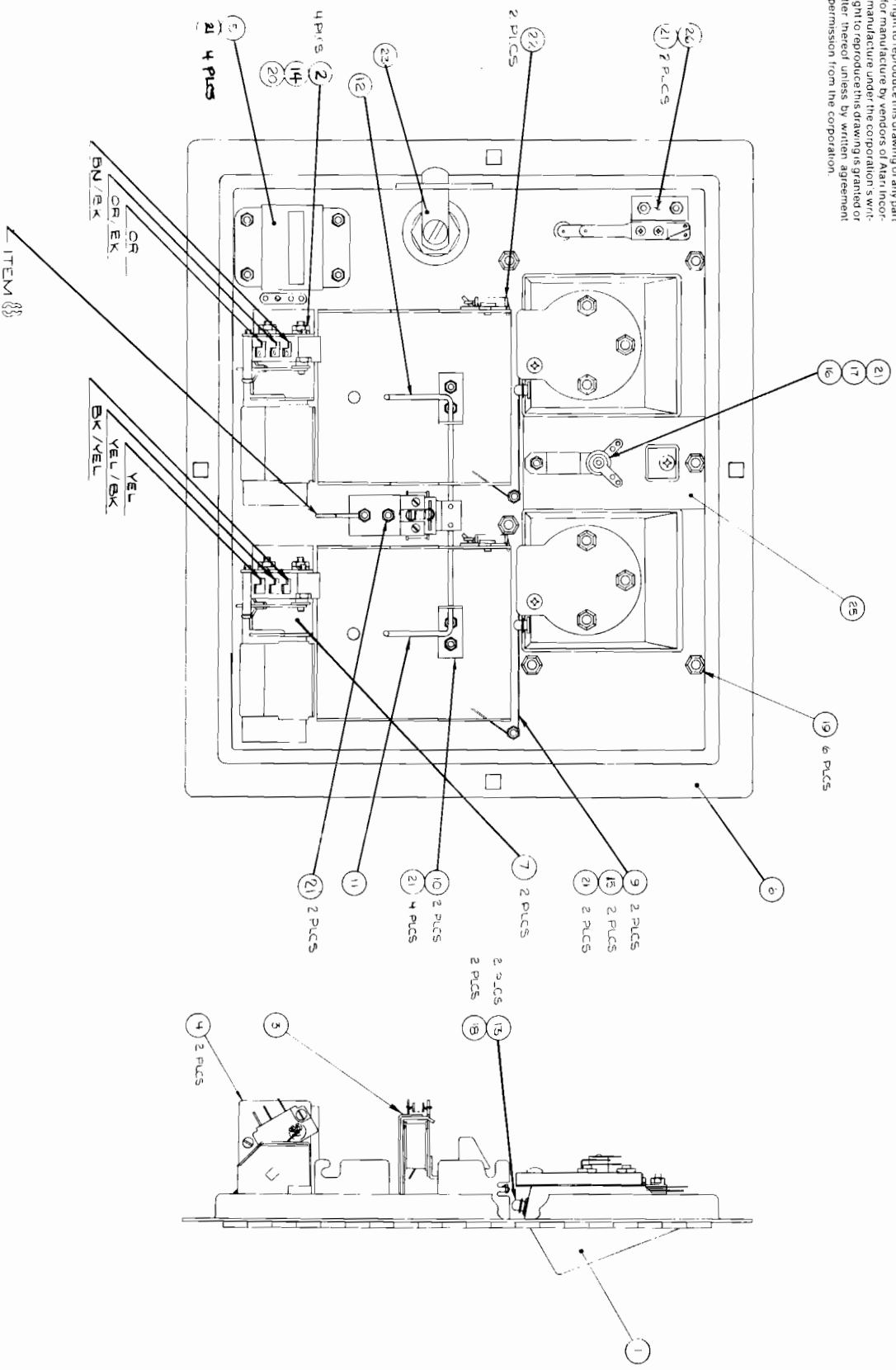


Figure 19 Coin Door Assembly
 A006794-01 E



Figure 19 Coin Door Assembly
Parts List

Item	Part Number	Qty.	Description
1	A007637-01	1	Front Bezel Assy. - Used only on -01 Coin Door Assy.
	A007637-02	Ref.	Front Bezel Assy. - Used only on -02 Coin Door Assy.
	A007637-03	Ref.	Front Bezel Assy. - Used only on -03 Coin Door Assy.
	A007637-04	Ref.	Front Bezel Assy. - Used only on -04 Coin Door Assy.
	A007637-05	Ref.	Front Bezel Assy. - Used only on -05 Coin Door Assy.
	A007637-06	Ref.	Front Bezel Assy. - Used only on -06 Coin Door Assy.
	A007637-07	Ref.	Front Bezel Assy. - Used only on -07 Coin Door Assy.
2	75-9165	4	Nut 6-32
3	A007639-01	1	Coin Lock-Out Assembly
4	A007640-01	2	Coin Switch Assembly
5	A002465-01	1	Coin Counter Assembly
6	004320-01	1	Coin Door Weldment
7	004341-01	2	Secondary Coin Chute
8	004344-01	1	Key Loop
9	004340-01	2	Spring-Return
10	004337-01	2	Bracket, Wire Form
11	004338-01	1	Lock-Out, Wire Form, R.H.
12	004336-01	1	Lock-Out, Wire Form, L.H.
13	004326-01	2	Button, Scavenger
14	75-046	4	Lck Washer, #6
15	006904-01	2	Spacer
16	007359-01	1	Lamp Socket
17	70-11-47	1	Lamp
18	73-3008	2	Retaining "C" Ring, Truarc #5103-25
19	75-9914001	6	Self-Threading Nut, Tinnerman #SR188006
20	75-026S	4	Washer #6
21	75-00516	13	Kepnut, Style 842, Stl., 6-32
22	008629-01	2	Spring
23	71-2118	1	Lock Assembly, Hudson Lock
24	71-1225CU	2	Coin Mechanism for American Quarter only
	71-125FB	Ref.	Coin Mechanism for Belgian 5 Francs Only
	71-121MG	Ref.	Coin Mechanism for German Mark only
	71-121KS	Ref.	Coin Mechanism for Swedish Krona Only
	71-12100YJ	Ref.	Coin Mechanism for Japanese 100 Yen Only
	71-1210PE	Ref.	Coin Mechanism for English 10 Pence Only
	71-1220CA	Ref.	Coin Mechanism for Australian 20-Cent Piece only
25	007753-01	1	Plate, Anti-Probe
26	A007638-01	1	Switch Assembly - Slam

NOTICE TO ALL PERSONS RECEIVING THIS DRAWING
CONFIDENTIAL. Reproduction forbidden without the
specific written permission of Alair, Inc., Sunnyvale,
California. This drawing is only conditionally issued, and
neither receipt nor possession thereof confers or transfers
any right or license to use, the subject matter of the
drawing or any design or technical information shown
thereon, nor any copyright or patent rights therein. All
rights reserved. This drawing is the property of Alair, Inc.
and for manufacture under the corporation's writ-
ten license, no right to reproduce this drawing is granted or
the subject matter thereof unless by written agreement
with or written permission from the corporation.

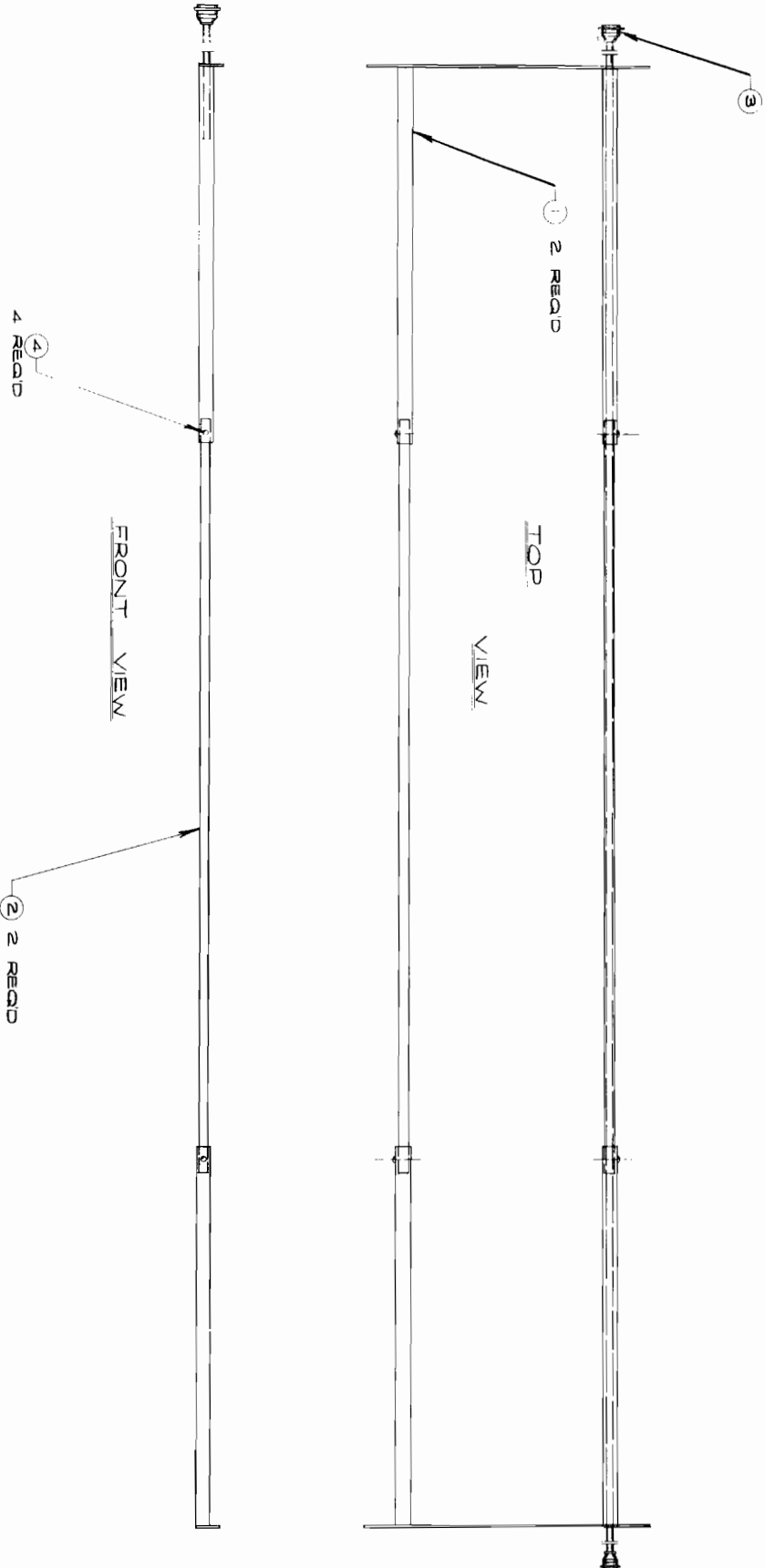


Figure 20 Brace Assembly
A008456-01 A



Figure 20 Brace Assembly
Parts List

Item	Part Number	Qty.	Description
1	A008115-01	2	Support Tube & Plate Assy
2	008114-01	2	Tube (Support)
3	A008306-01	1	Interconnect Cable Assy
4	74-4003	4	Screw, Allen Hd., Socket #10-32 x3/16" Lg.
5	A008455-XX	1	Shipping Container (Brace)

 A Warner Communications Company



Item	Part Number	Qty.	Description
1	A005632-02	1	Cabinet Assembly
2	A005662-01	1	Dashboard Assembl
3	A005667-01	1	T.V. Shelf Assemb.
4	A00 5925-01	1	Electronics Tray A
5	A009262-06	1	R.F. Shield Enclo
6	A003637-11	Ref.	Coin Door Assembl
7	A006916-02	1	24" Fluorescent F
8	A006284-01	1	Single Foot Pedal
9	006814 -01	2	Bezel, Card Bo
10	005701-01	1	Shield, Displa
11	005665-01	2	Plex Retainers
12	001638-01	2	Panel MTG. Trac
13	005419-02	2	Speaker Gr
14	73-77004	8	Rivets, 3/8" O
15	75-931	2	Wingnuts,
16	48-001	2	8" Speake
17	82-1824	2	Wood
18	A005410-01	9	Rear
19	A006318-01	1	R.F.
20	75-5120B	6	Bolt
21	75-010S	12	#10 W...
22	75-040	12	#10 Was
23	75-911S	12	#10-24
24	75-5520N	2	Bolt Ca
25	75-015S		asher,
26	75-040		asher,
27	75-911S		
28	75-990		
29	82-801		
30	72-681		
31	A00570		
32	00523		
33	68-00		
34			
35			
36			
37			
38			
39			



Warner Comm



© A Warner Communications Company

ATARI INC 1265 BORREGAS AVENUE, P.O. BOX 9027, SUNNYVALE, CALIFORNIA 94086

A Warner Communications Company