

Table of Contents

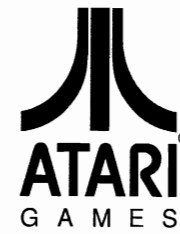
Road Riot 4WD™

Main Wiring Diagram (049494-01 A)	Sheet 1-2
Road Riot 4WD™ Game Main PCB Assembly Schematic Diagram	
(049039-01 A)	Sheet 3-5
JSA III PCB Assembly Schematic Diagram (048973-051C)	Sheets 6-8
Comm-RAM PCB Assembly Schematic Diagram (049464-01 A)	Sheet 9
Solenoid/Motor PCB Assembly Schematic Diagram (049468-01 B)	Sheet 10
Wiring Diagrams for the Power Supply (049507-01 A) and Coin Door (049507-01 A) and Schematic for the Hitron 5V, 7A Power Supply (HSA-130) (049507-01 A) or Peter Chou Power Supply (USP-7)	Sheet 11

NOTE
The staple temporarily holds the schematic package together. Remove the staple before using these schematics.

Atari Games Corporation, Customer Service
737 Sycamore Drive • Milpitas, CA 95036-1110 • U.S.A.
(408) 434-3950 • Fax (408) 434-3945 • Telex 5101007850

Atari Games Ireland Limited, European Customer Service
Tipperary Town • Ireland
062-52155 • Fax 062-51702 • Telex 70665

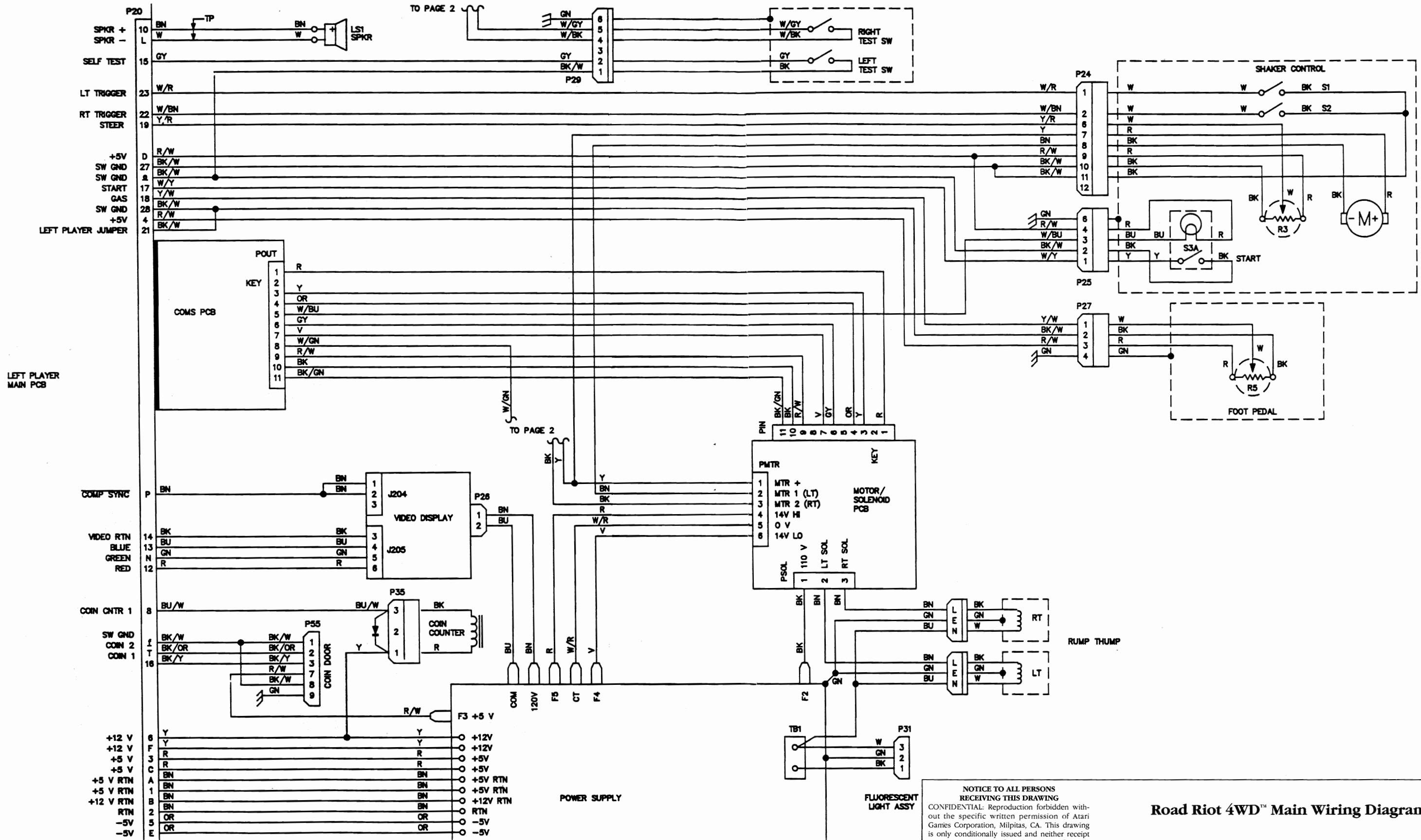


SP-369
1st printing



Schematic Package

Supplement to the Operator's Manual



NOTICE TO ALL PERSONS RECEIVING THIS DRAWING

CONFIDENTIAL: Reproduction forbidden without the specific written permission of Atari Games Corporation, Milpitas, CA. This drawing is only conditionally issued and neither receipt nor possession thereof confers or transfers any right in, or license to use, the subject matter of the drawing or any design or technical information shown thereon, nor any right to reproduce this drawing, or any part thereof. Except for manufacture by vendors of Atari Games Corporation, and for manufacture under the corporation's written license, no right is granted to reproduce this drawing or the subject matter thereof, unless by written agreement with or written permission from the corporation.

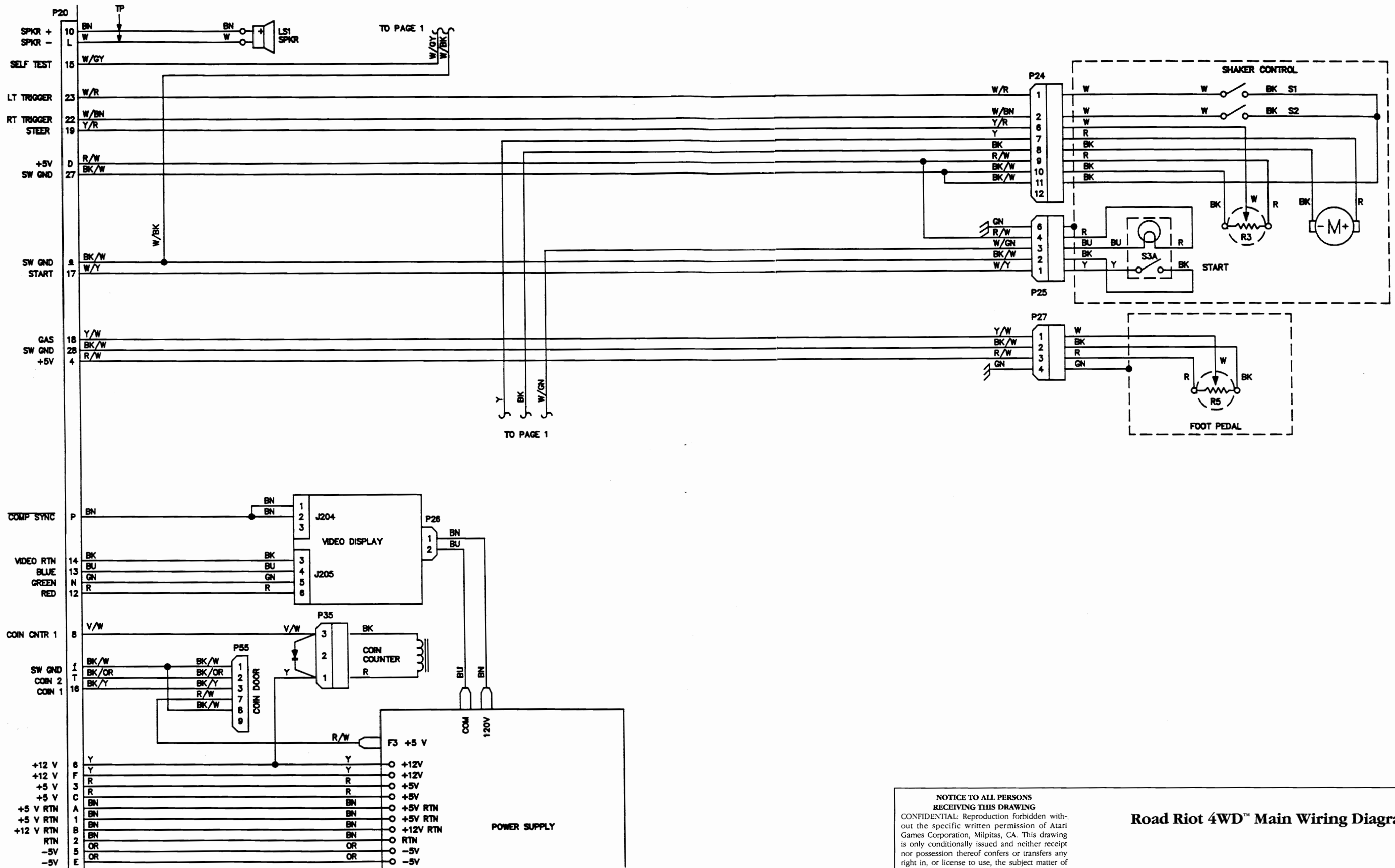
Road Riot 4WD™ Main Wiring Diagram

ATARI GAMES

© 1991 Atari Games Corporation
049494-01 A


SP-369 Sheet 1
1st printing

RIGHT PLAYER
MAIN PCB

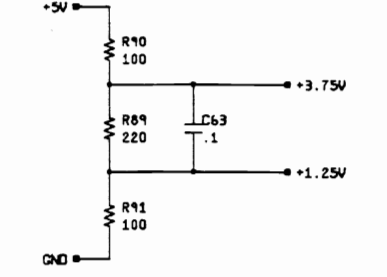
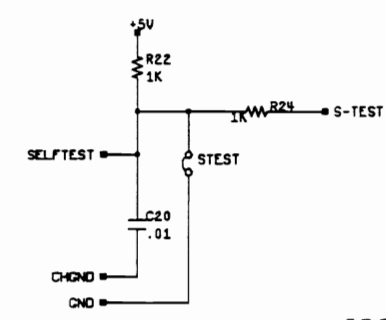
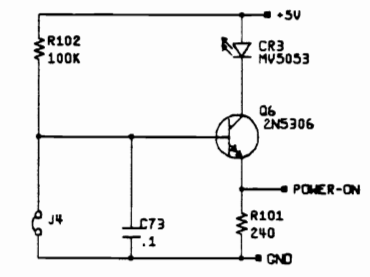
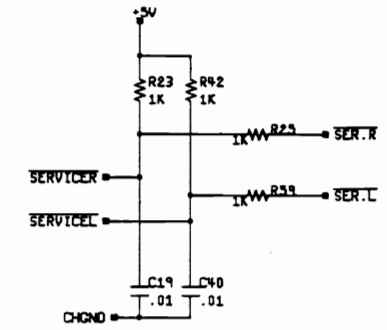
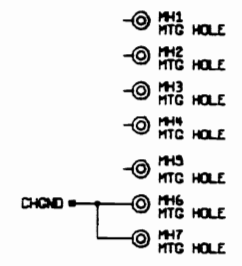
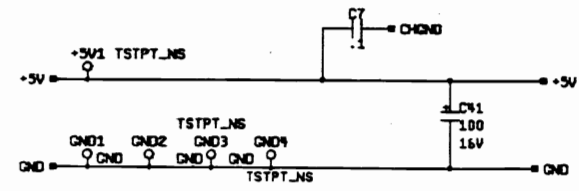
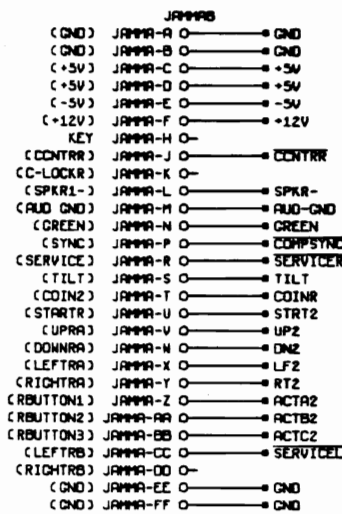
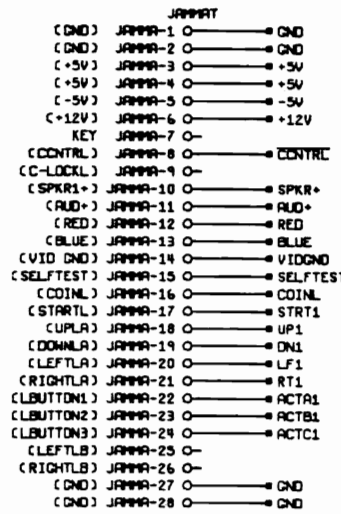


NOTICE TO ALL PERSONS RECEIVING THIS DRAWING
 CONFIDENTIAL: Reproduction forbidden without the specific written permission of Atari Games Corporation, Milpitas, CA. This drawing is only conditionally issued and neither receipt nor possession thereof confers or transfers any right in, or license to use, the subject matter of the drawing or any design or technical information shown thereon, nor any right to reproduce this drawing, or any part thereof. Except for manufacture by vendors of Atari Games Corporation, and for manufacture under the corporation's written license, no right is granted to reproduce this drawing or the subject matter thereof, unless by written agreement with or written permission from the corporation.

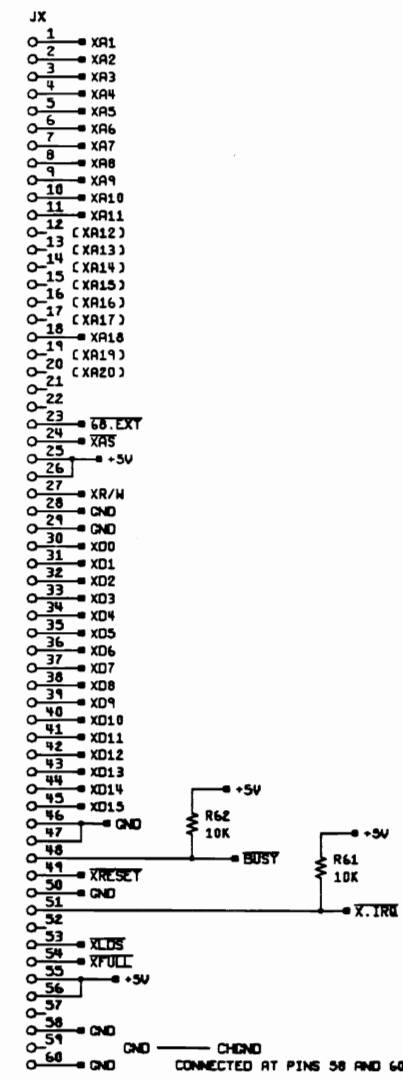
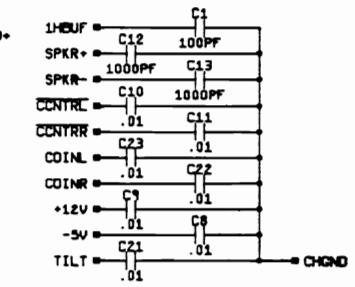
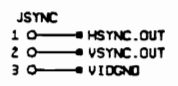
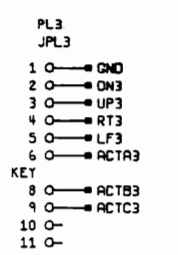
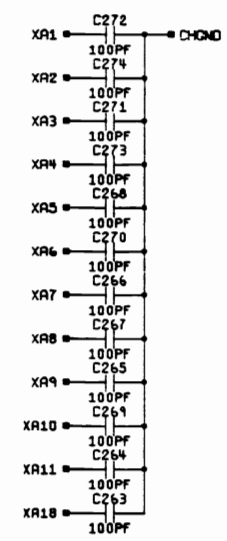
Road Riot 4WD™ Main Wiring Diagram


 © 1991 Atari Games Corporation
 049494-01 A

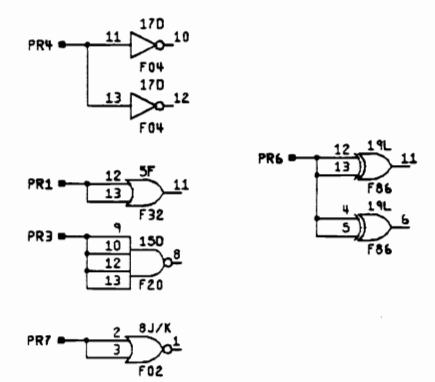
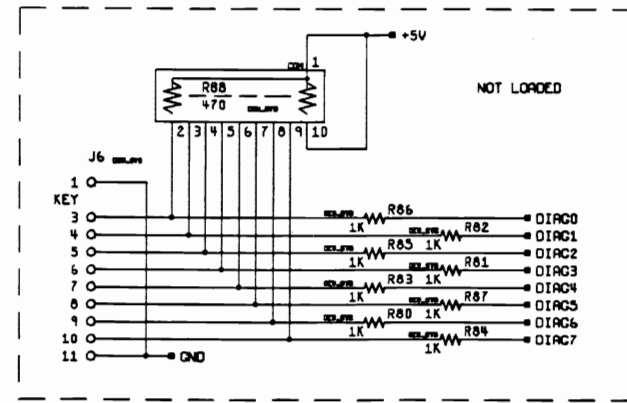
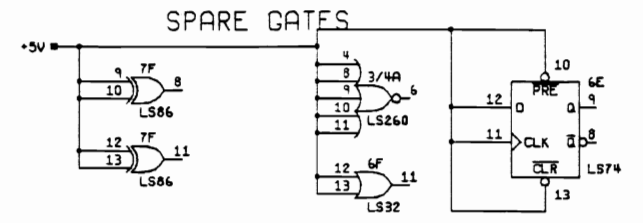
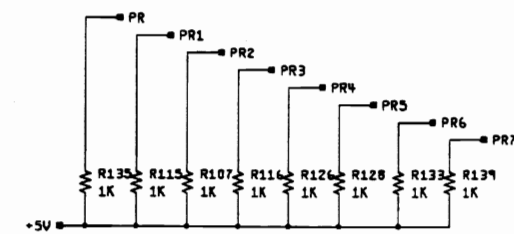
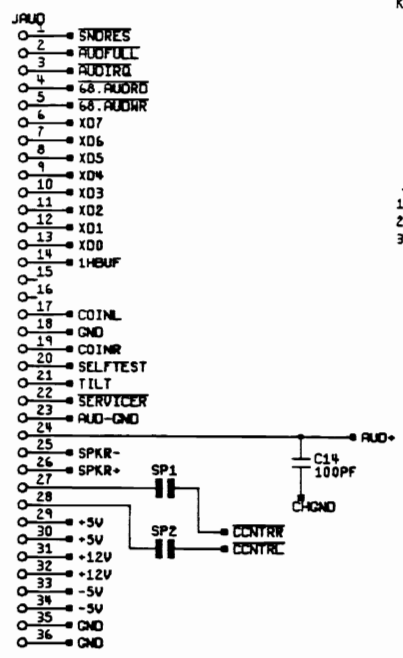
SP-369 Sheet 2
1st printing



GND — CHND
CONNECTED AT FINGERS ONLY.



GND — CHND
CONNECTED AT PINS 58 AND 60 ONLY.



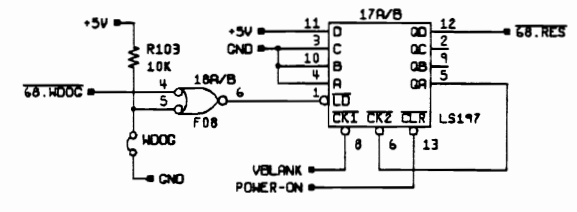
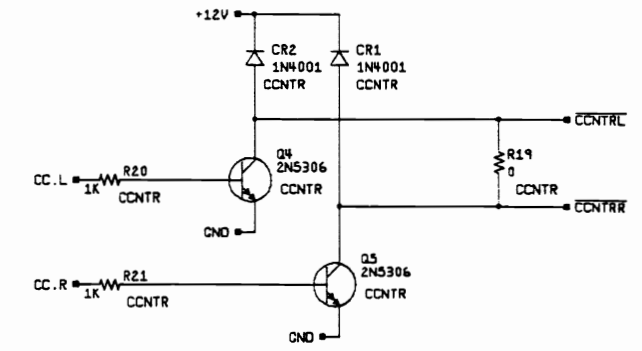
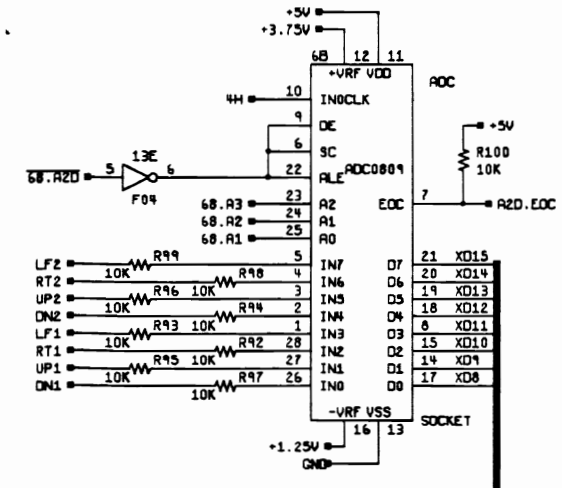
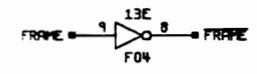
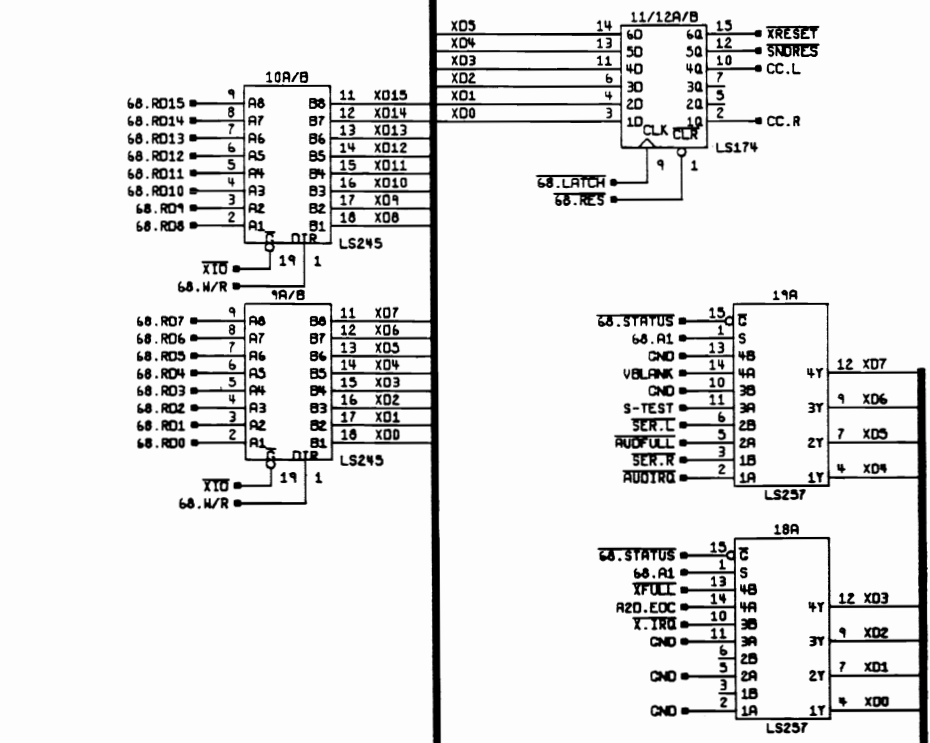
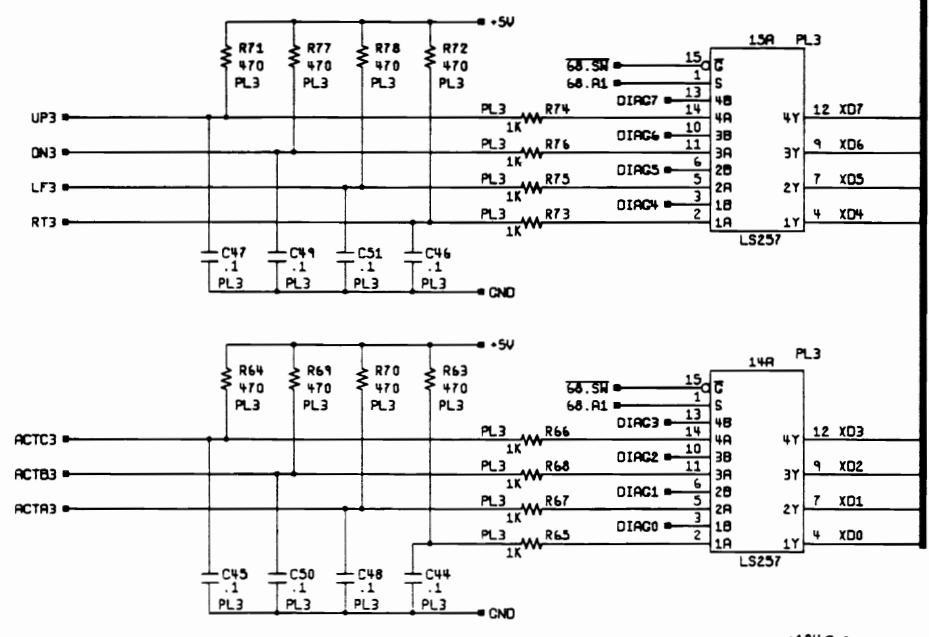
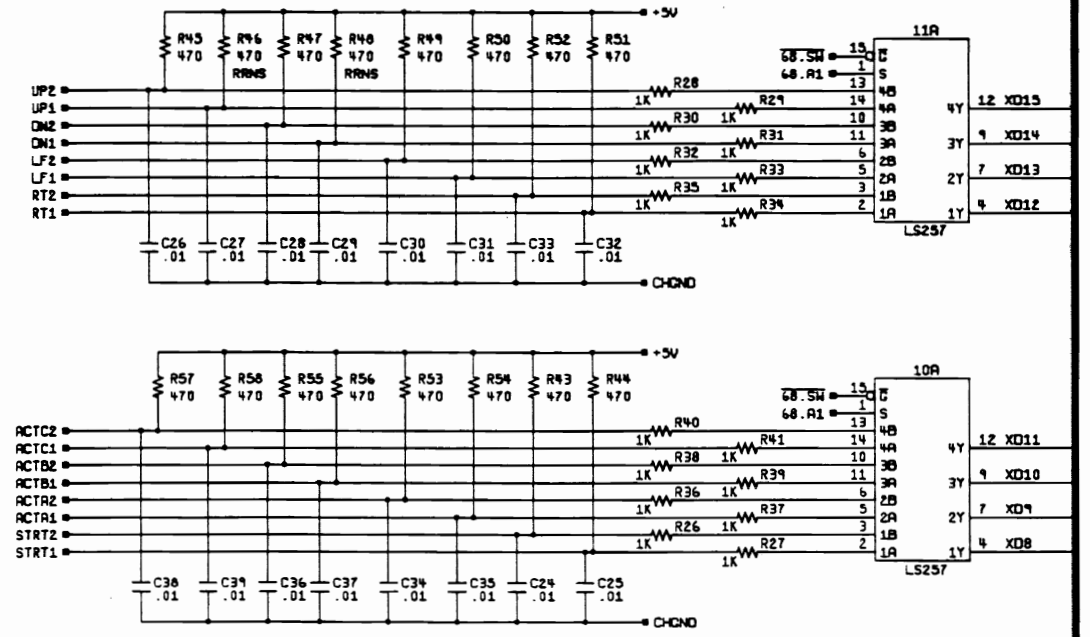
NOTICE TO ALL PERSONS RECEIVING THIS DRAWING
 CONFIDENTIAL: Reproduction forbidden without the specific written permission of Atari Games Corporation, Milpitas, CA. This drawing is only conditionally issued and neither receipt nor possession thereof confers or transfers any right in, or license to use, the subject matter of the drawing or any design or technical information shown thereon, nor any right to reproduce this drawing, or any part thereof. Except for manufacture by vendors of Atari Games Corporation, and for manufacture under the corporation's written license, no right is granted to reproduce this drawing or the subject matter thereof, unless by written agreement with or written permission from the corporation.

Road Riot 4WD™ Game PCB Assembly Schematic Diagram

ATARI GAMES


© 1991 Atari Games Corporation
048973-01 A

SP-369 Sheet 3
1st printing



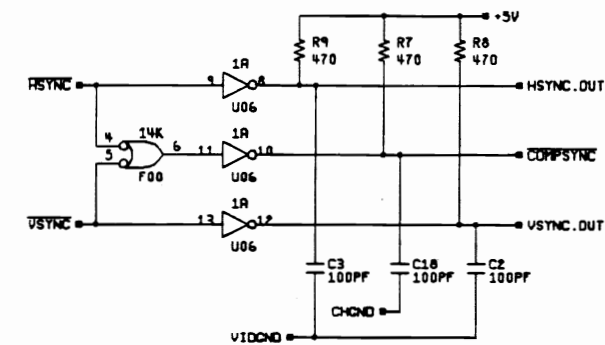
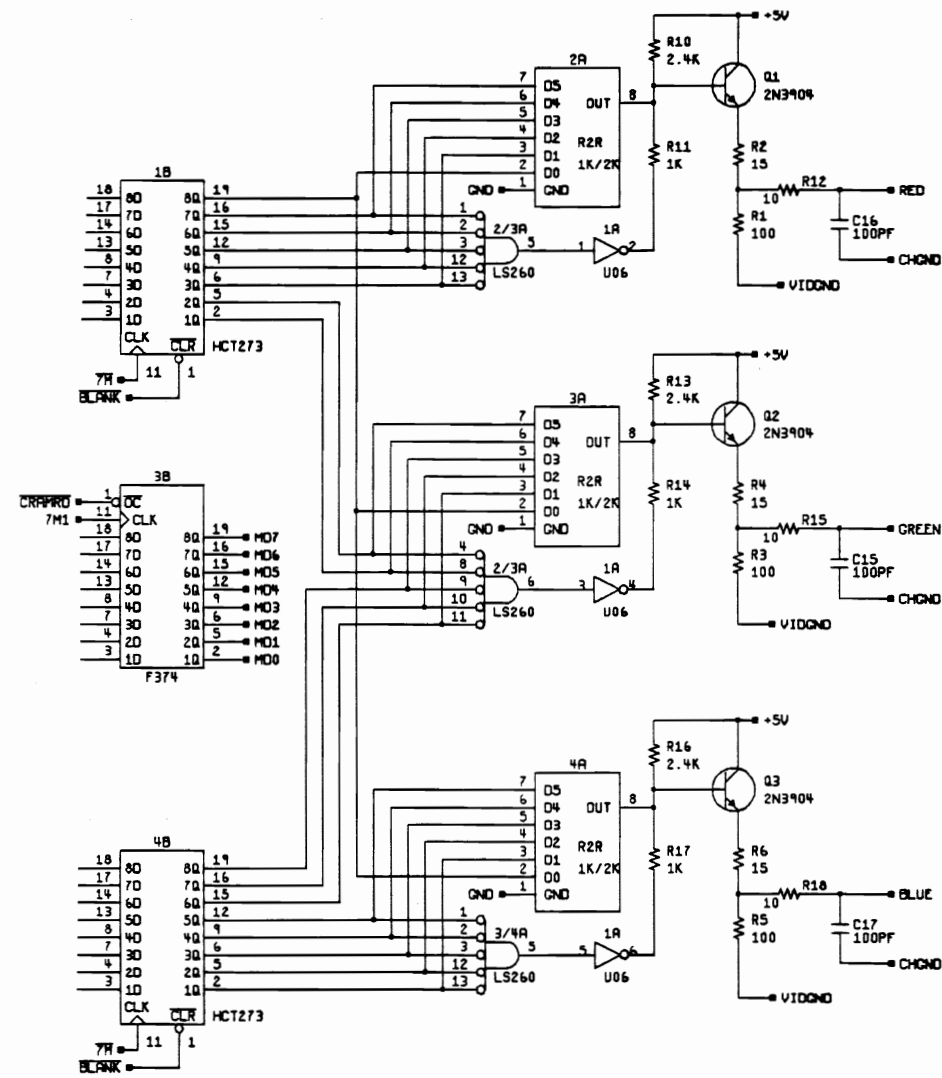
NOTICE TO ALL PERSONS RECEIVING THIS DRAWING
 CONFIDENTIAL: Reproduction forbidden without the specific written permission of Atari Games Corporation, Milpitas, CA. This drawing is only conditionally issued and neither receipt nor possession thereof confers or transfers any right in, or license to use, the subject matter of the drawing or any design or technical information shown thereon, nor any right to reproduce this drawing, or any part thereof. Except for manufacture by vendors of Atari Games Corporation, and for manufacture under the corporation's written license, no right is granted to reproduce this drawing or the subject matter thereof, unless by written agreement with or written permission from the corporation.

Road Riot 4WD™ Game PCB Assembly Schematic Diagram



© 1991 Atari Games Corporation
048973-01 A


SP-369 Sheet 4
1st printing



NOTICE TO ALL PERSONS RECEIVING THIS DRAWING

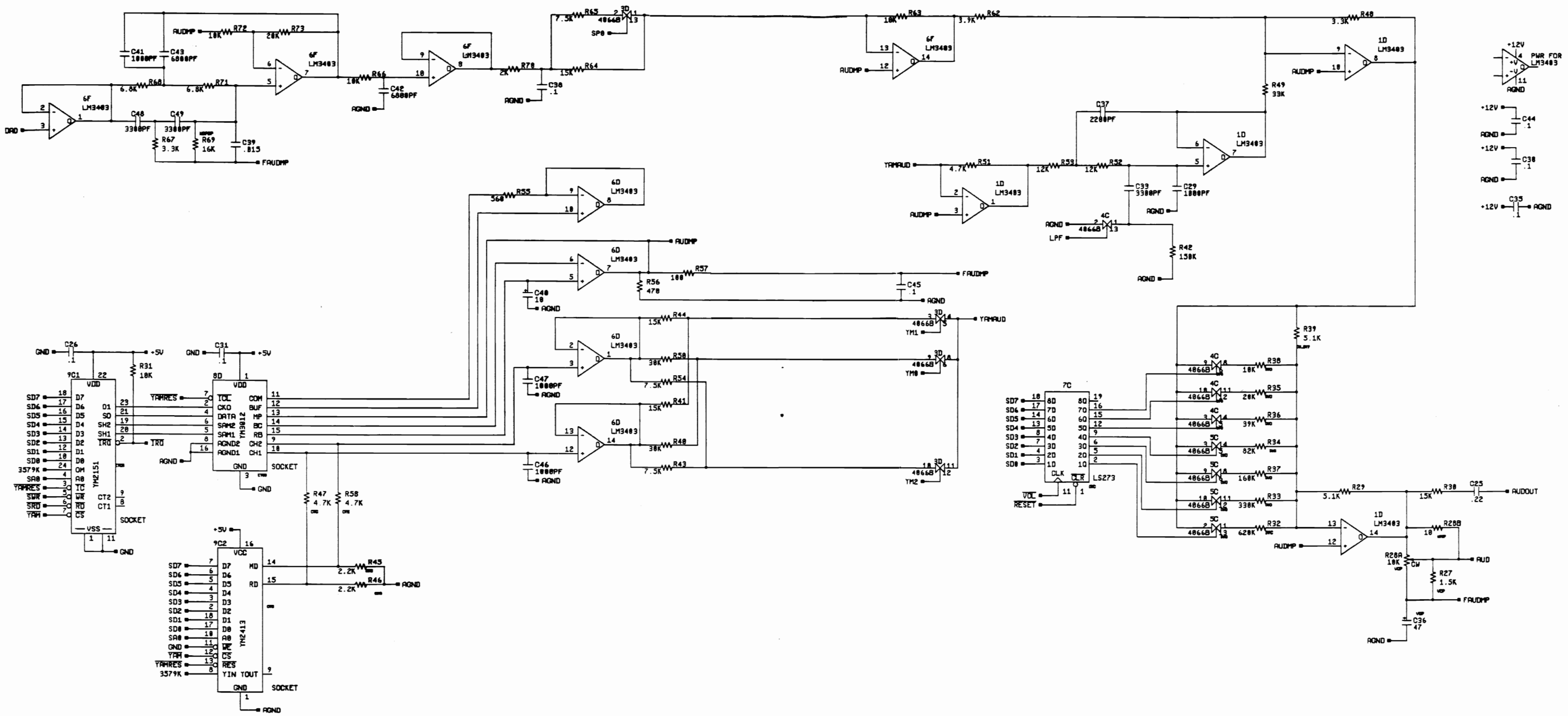
CONFIDENTIAL: Reproduction forbidden without the specific written permission of Atari Games Corporation, Milpitas, CA. This drawing is only conditionally issued and neither receipt nor possession thereof confers or transfers any right in, or license to use, the subject matter of the drawing or any design or technical information shown thereon, nor any right to reproduce this drawing, or any part thereof. Except for manufacture by vendors of Atari Games Corporation, and for manufacture under the corporation's written license, no right is granted to reproduce this drawing or the subject matter thereof, unless by written agreement with or written permission from the corporation.

Road Riot 4WD™ Game PCB Assembly Schematic Diagram



© 1991 Atari Games Corporation
048973-01 A


SP-369 Sheet 5
1st printing



NOTICE TO ALL PERSONS RECEIVING THIS DRAWING

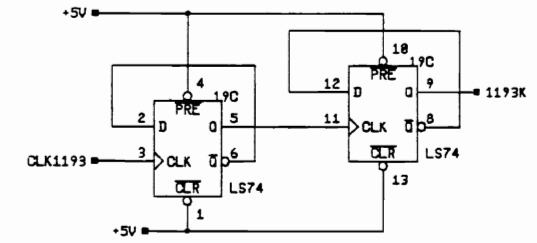
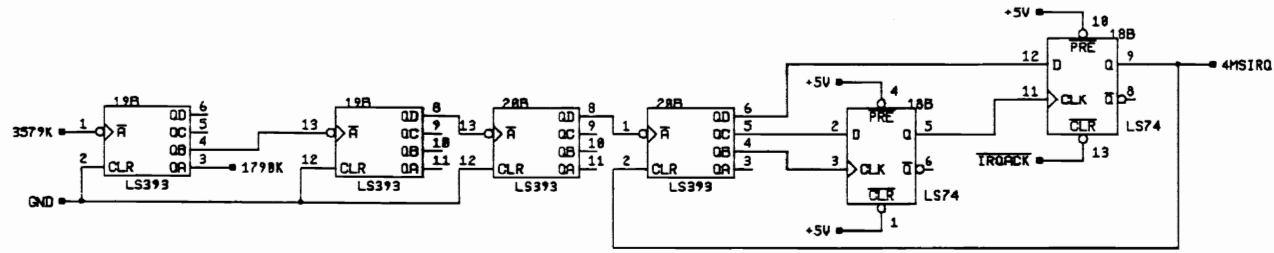
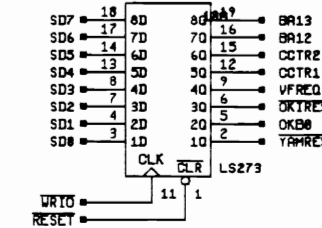
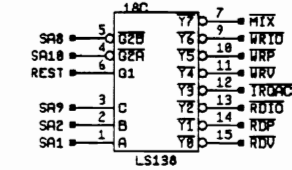
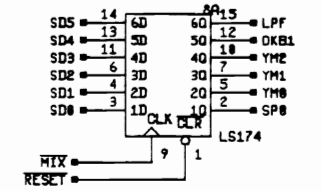
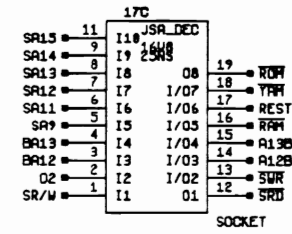
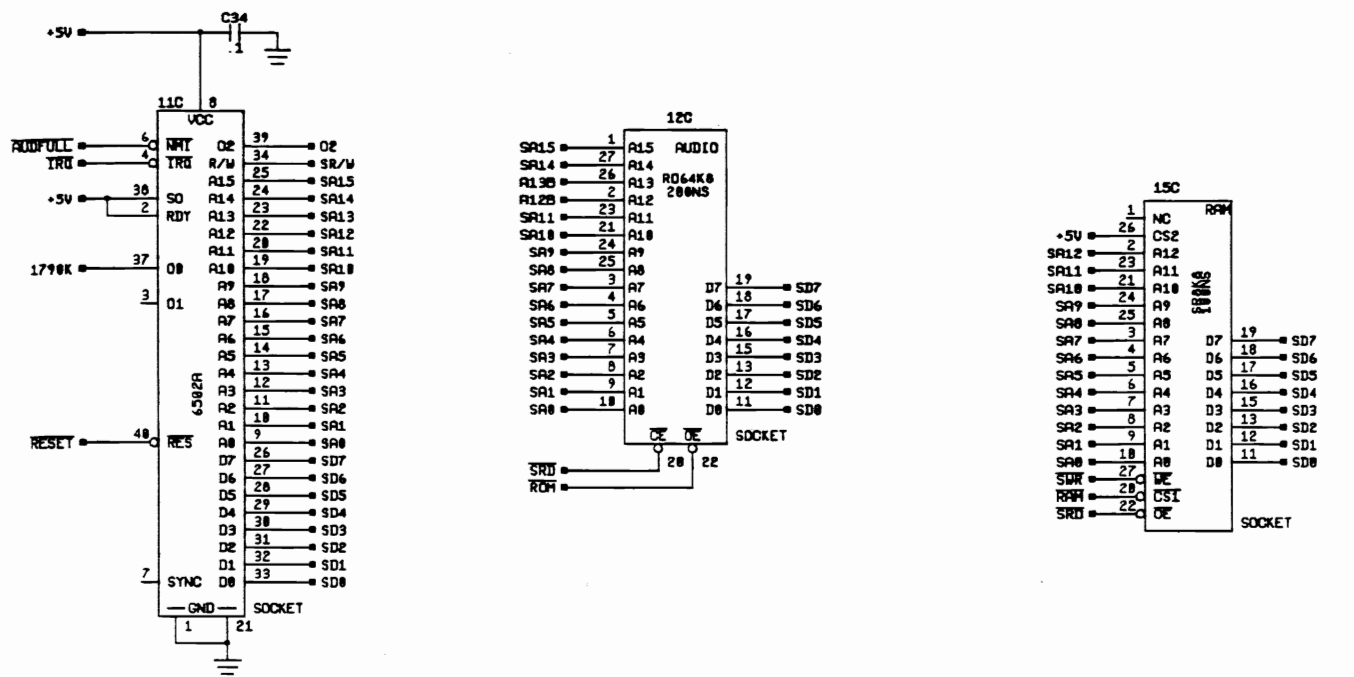
CONFIDENTIAL: Reproduction forbidden without the specific written permission of Atari Games Corporation, Milpitas, CA. This drawing is only conditionally issued and neither receipt nor possession thereof confers or transfers any right in, or license to use, the subject matter of the drawing or any design or technical information shown thereon, nor any right to reproduce this drawing, or any part thereof. Except for manufacture by vendors of Atari Games Corporation, and for manufacture under the corporation's written license, no right is granted to reproduce this drawing or the subject matter thereof, unless by written agreement with or written permission from the corporation.

JSA III PCB Assembly Schematic Diagram

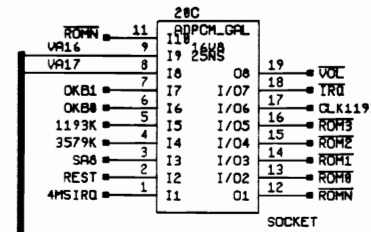
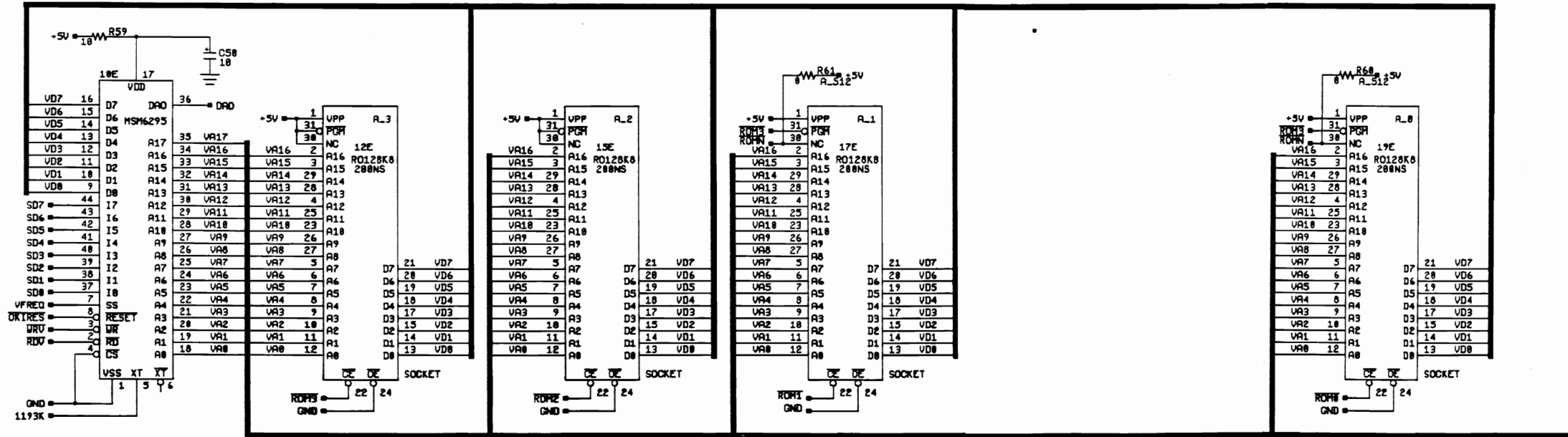


© 1991 Atari Games Corporation
 048973-01 C

SP-369 Sheet 6
1st printing



VCC 0:7J




VCC 0:17J

NOTICE TO ALL PERSONS RECEIVING THIS DRAWING

CONFIDENTIAL: Reproduction forbidden without the specific written permission of Atari Games Corporation, Milpitas, CA. This drawing is only conditionally issued and neither receipt nor possession thereof confers or transfers any right in, or license to use, the subject matter of the drawing or any design or technical information shown thereon, nor any right to reproduce this drawing, or any part thereof. Except for manufacture by vendors of Atari Games Corporation, and for manufacture under the corporation's written license, no right is granted to reproduce this drawing or the subject matter thereof, unless by written agreement with or written permission from the corporation.

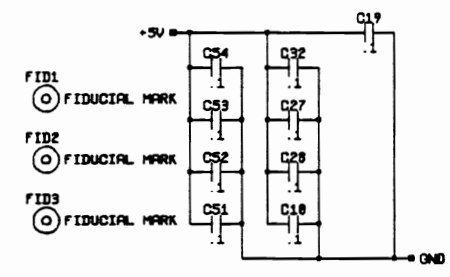
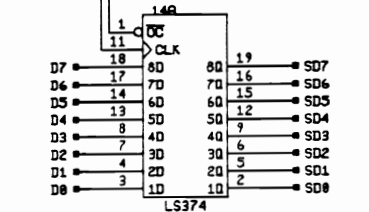
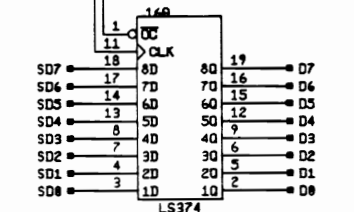
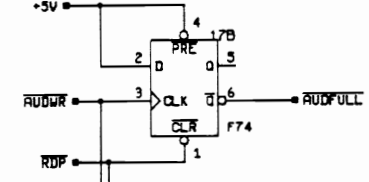
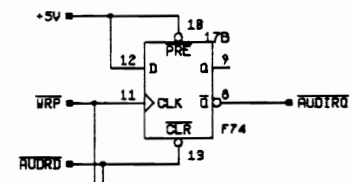
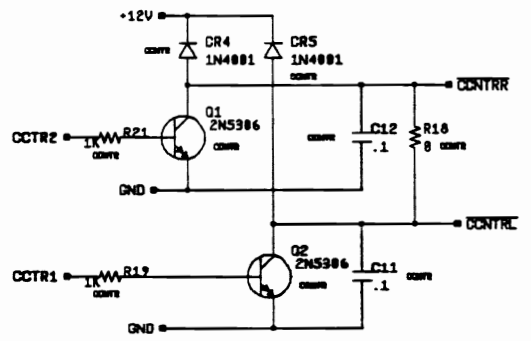
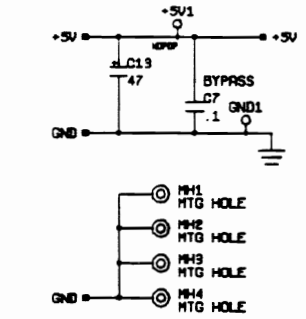
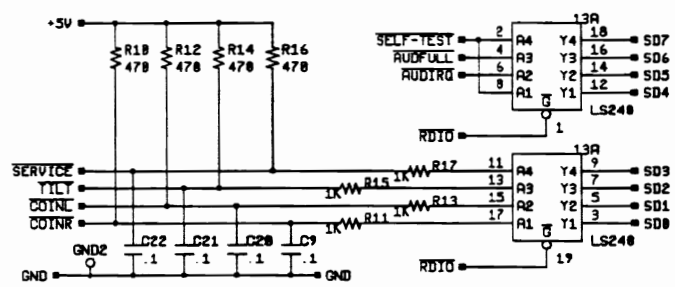
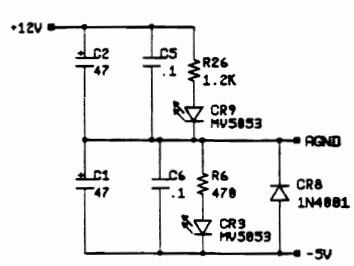
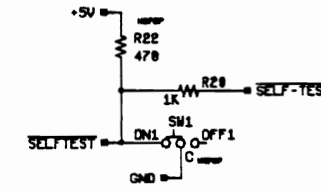
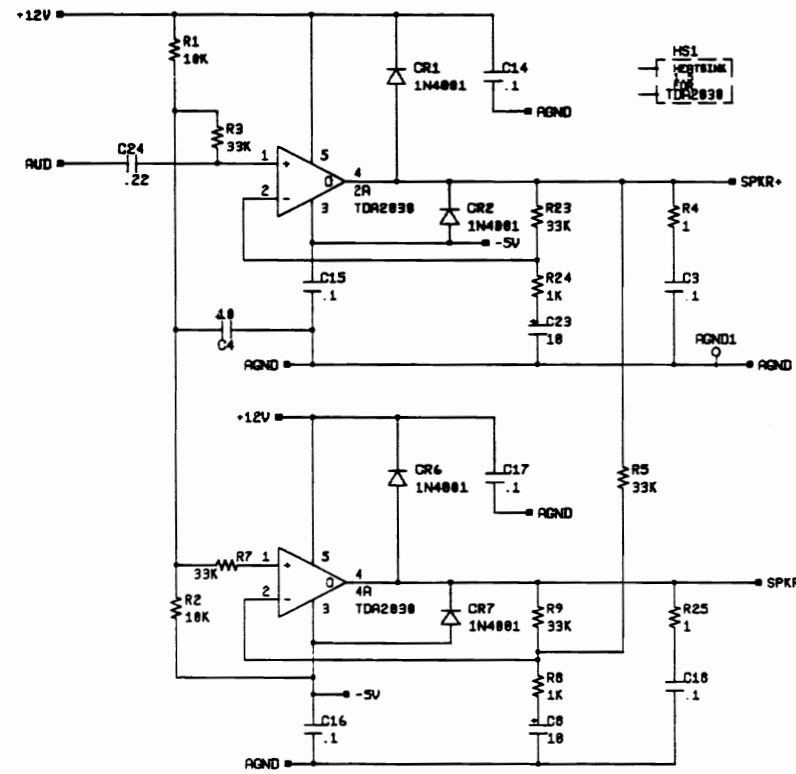
JSA III PCB Assembly Schematic Diagram



© 1991 Atari Games Corporation
048973-01 C

SP-369 Sheet 7
1st printing

- 1 → RESET
- 2 → AUDFULL
- 3 → AUDTR0
- 4 → AUDTR1
- 5 → AUDTR2
- 6 → D7
- 7 → D6
- 8 → D5
- 9 → D4
- 10 → D3
- 11 → D2
- 12 → D1
- 13 → D0
- 14 → 3579K
- 15 →
- 16 →
- 17 → COTNR
- 18 → GND
- 19 → COTNR
- 20 → SELFTEST
- 21 → YILT
- 22 → SERVICE
- 23 → AGND
- 24 → AGND
- 25 → AUDOUT
- 26 → SPKR-
- 27 → SPKR+
- 28 → CENTRR
- 29 → CENTRL
- 30 → +5V
- 31 → +5V
- 32 → +12V
- 33 → +12V
- 34 → -5V
- 35 → -5V
- 36 → GND
- 37 → GND



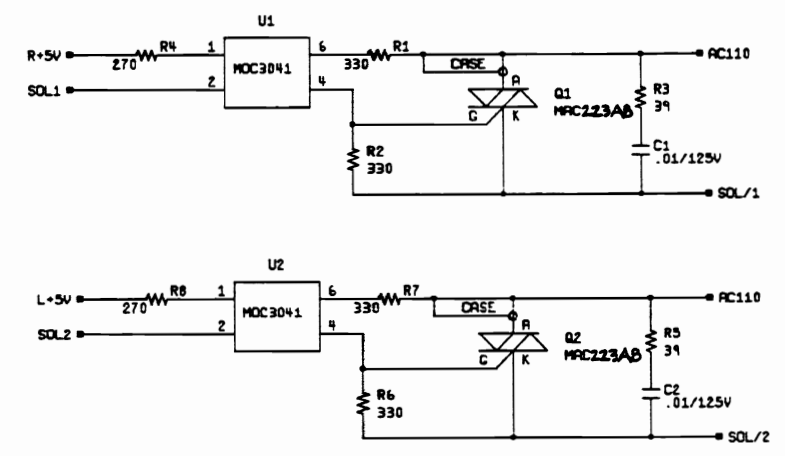
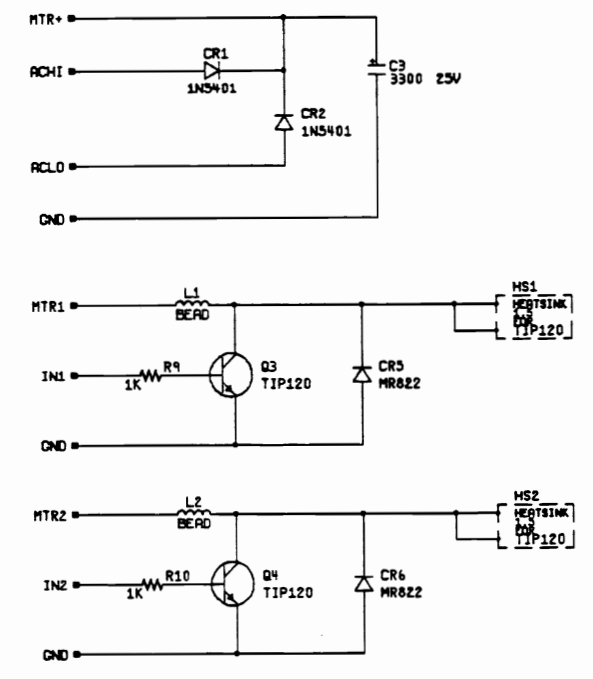
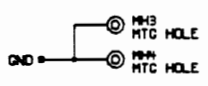
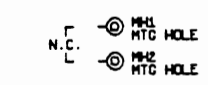
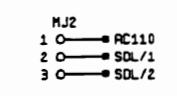
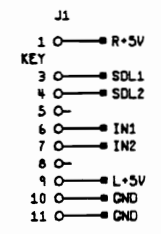
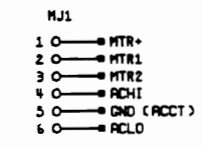
GND AND AGND TIED INTERNALLY NEAR MSM6295

NOTICE TO ALL PERSONS RECEIVING THIS DRAWING
 CONFIDENTIAL: Reproduction forbidden without the specific written permission of Atari Games Corporation, Milpitas, CA. This drawing is only conditionally issued and neither receipt nor possession thereof confers or transfers any right in, or license to use, the subject matter of the drawing or any design or technical information shown thereon, nor any right to reproduce this drawing, or any part thereof. Except for manufacture by vendors of Atari Games Corporation, and for manufacture under the corporation's written license, no right is granted to reproduce this drawing or the subject matter thereof, unless by written agreement with or written permission from the corporation.

JSA III PCB Assembly Schematic Diagram

© 1991 Atari Games Corporation
048973-01 C


SP-369 Sheet 8
1st printing



NOTICE TO ALL PERSONS RECEIVING THIS DRAWING

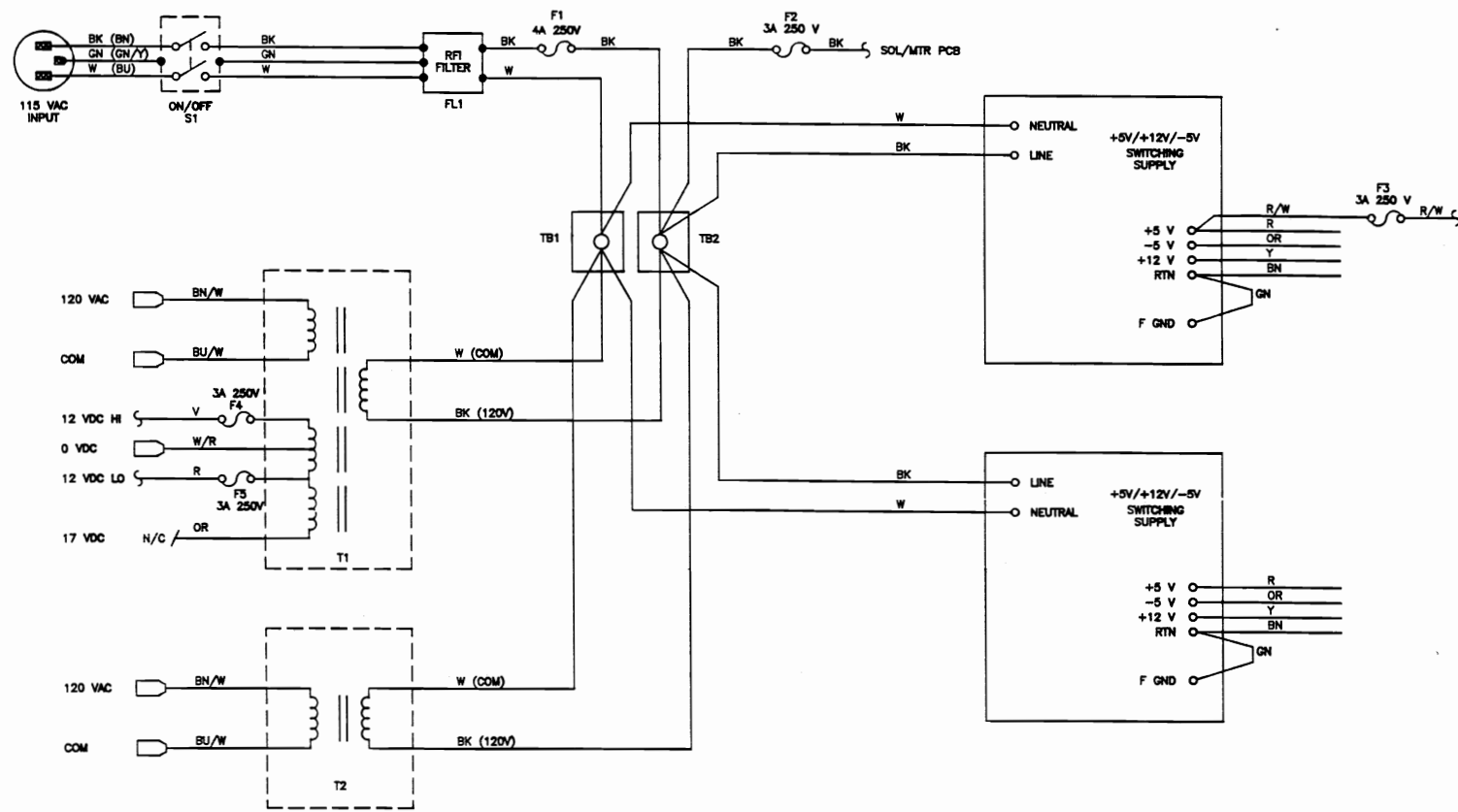
CONFIDENTIAL: Reproduction forbidden without the specific written permission of Atari Games Corporation, Milpitas, CA. This drawing is only conditionally issued and neither receipt nor possession thereof confers or transfers any right in, or license to use, the subject matter of the drawing or any design or technical information shown thereon, nor any right to reproduce this drawing, or any part thereof. Except for manufacture by vendors of Atari Games Corporation, and for manufacture under the corporation's written license, no right is granted to reproduce this drawing or the subject matter thereof, unless by written agreement with or written permission from the corporation.

Solenoid/Motor PCB Assembly Schematic Diagram



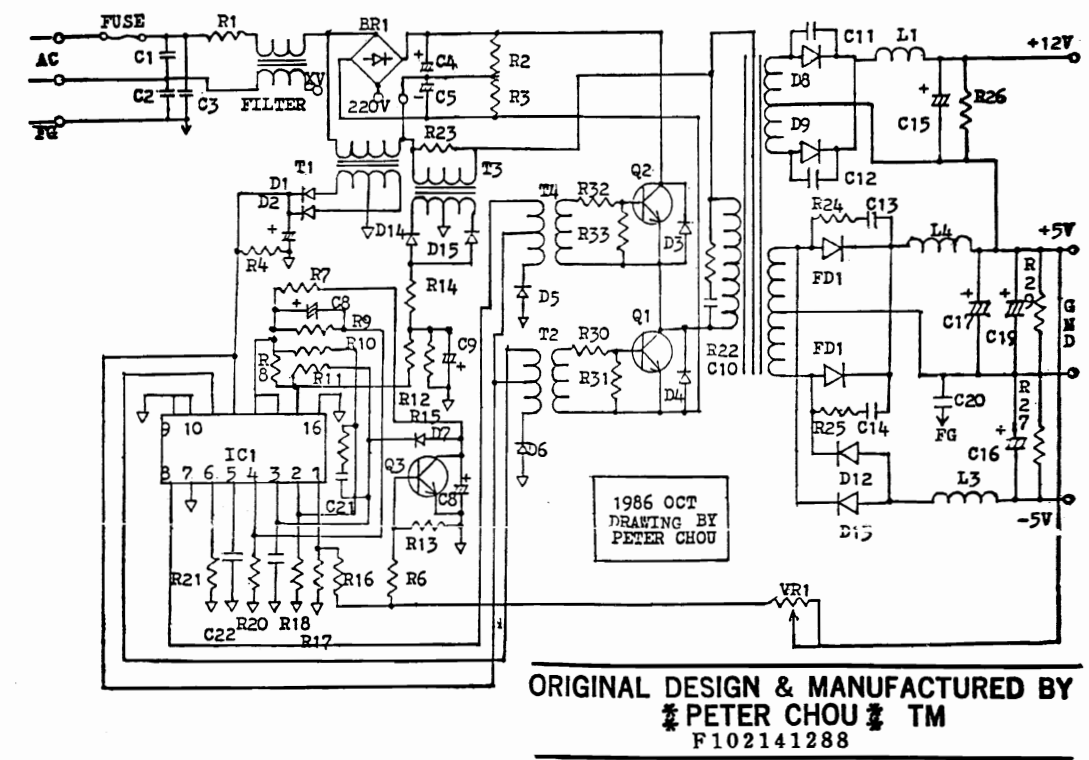
© 1991 Atari Games Corporation
049468-01 B

SP-369 Sheet 10
1st printing



Power Supply Wiring Diagram

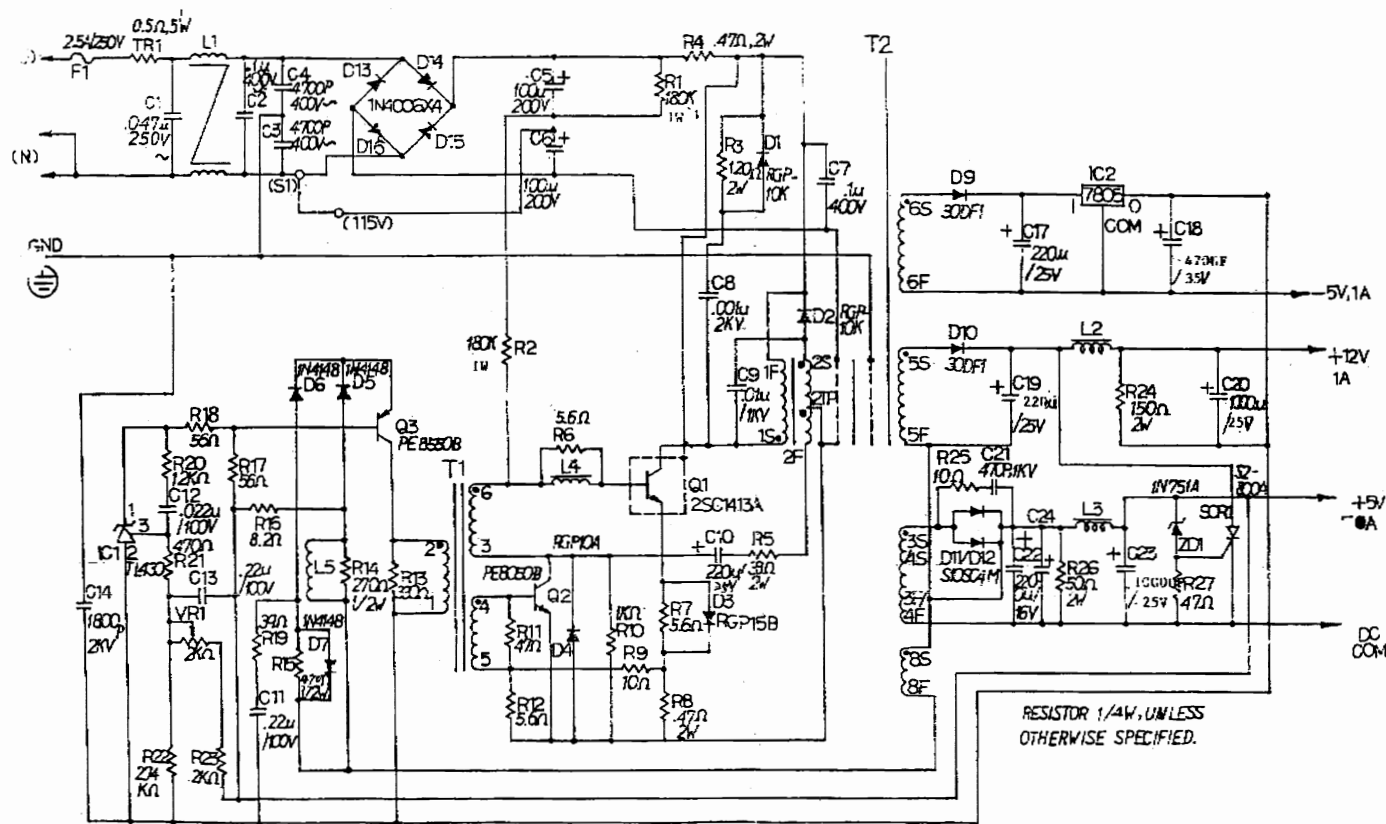
(049507-01 A)



ORIGINAL DESIGN & MANUFACTURED BY
PETER CHOU TM
 F102141288

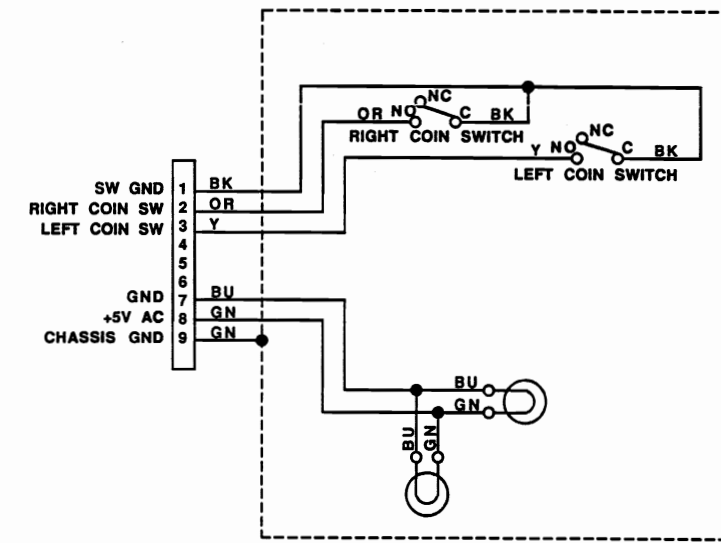
Peter Chou Power Supply (USP-7)

(049507-01 A)



Hitron 5V, 7A Power Supply (HSA-130)

(049507-01 A)



Coin Door

(049507-01 A)

NOTICE TO ALL PERSONS RECEIVING THIS DRAWING
 CONFIDENTIAL: Reproduction forbidden without the specific written permission of Atari Games Corporation, Milpitas, CA. This drawing is only conditionally issued and neither receipt nor possession thereof confers or transfers any right in, or license to use, the subject matter of the drawing or any design or technical information shown thereon, nor any right to reproduce this drawing, or any part thereof. Except for manufacture by vendors of Atari Games Corporation, and for manufacture under the corporation's written license, no right is granted to reproduce this drawing or the subject matter thereof, unless by written agreement with or written permission from the corporation.

Wiring Diagrams for the Power Supply, Coin Door and Hitron (HSA-130) or Peter Chou (USP-7) Power Supplies

ATARI GAMES

© 1991 Atari Games Corporation
 049507-01 A 171027-001 149014-001

SP-369 Sheet 11
 1st printing