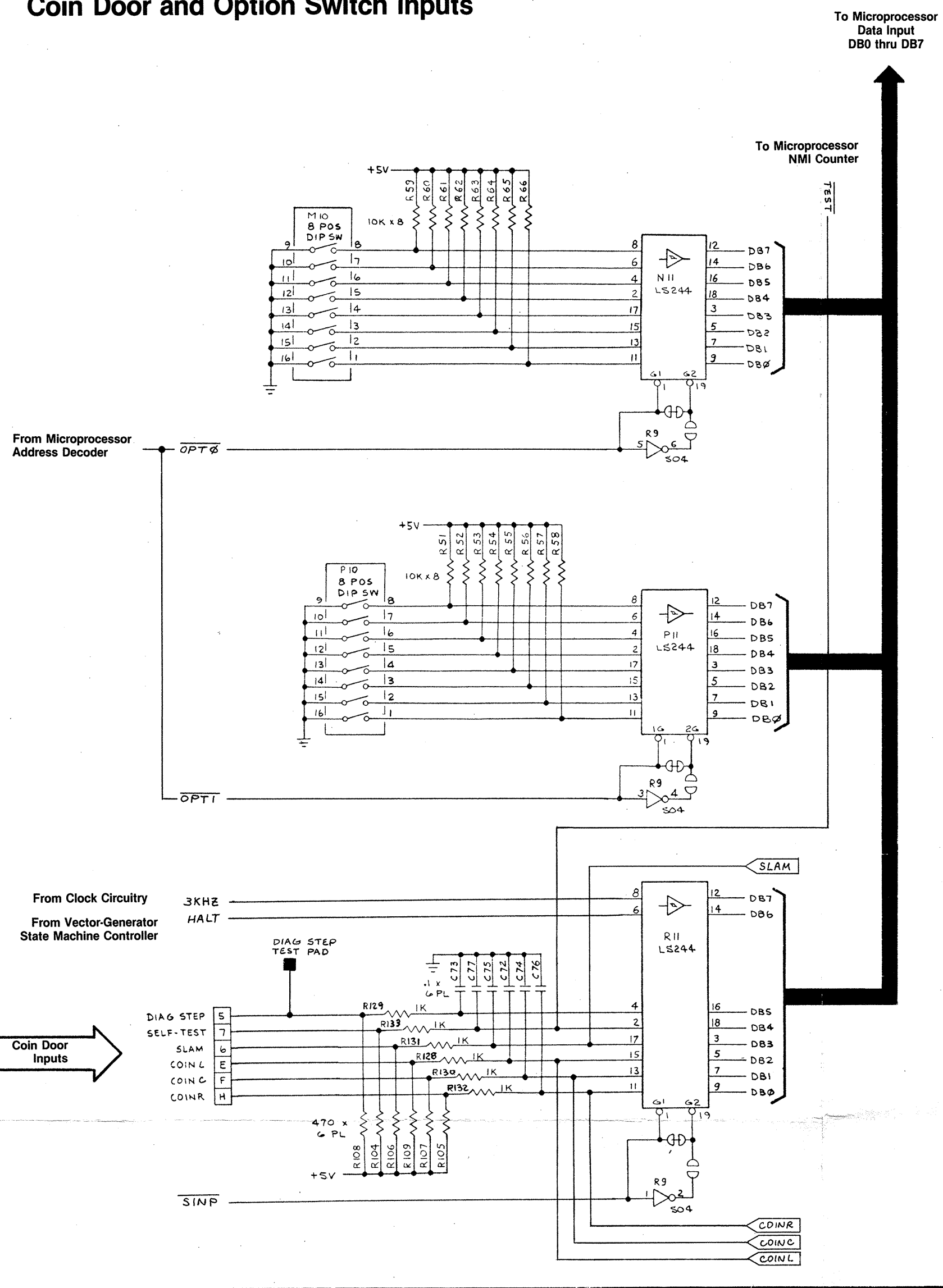
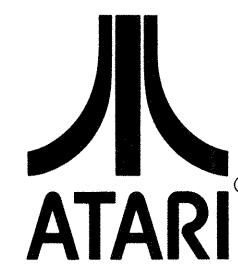


### Coin Door and Option Switch Inputs



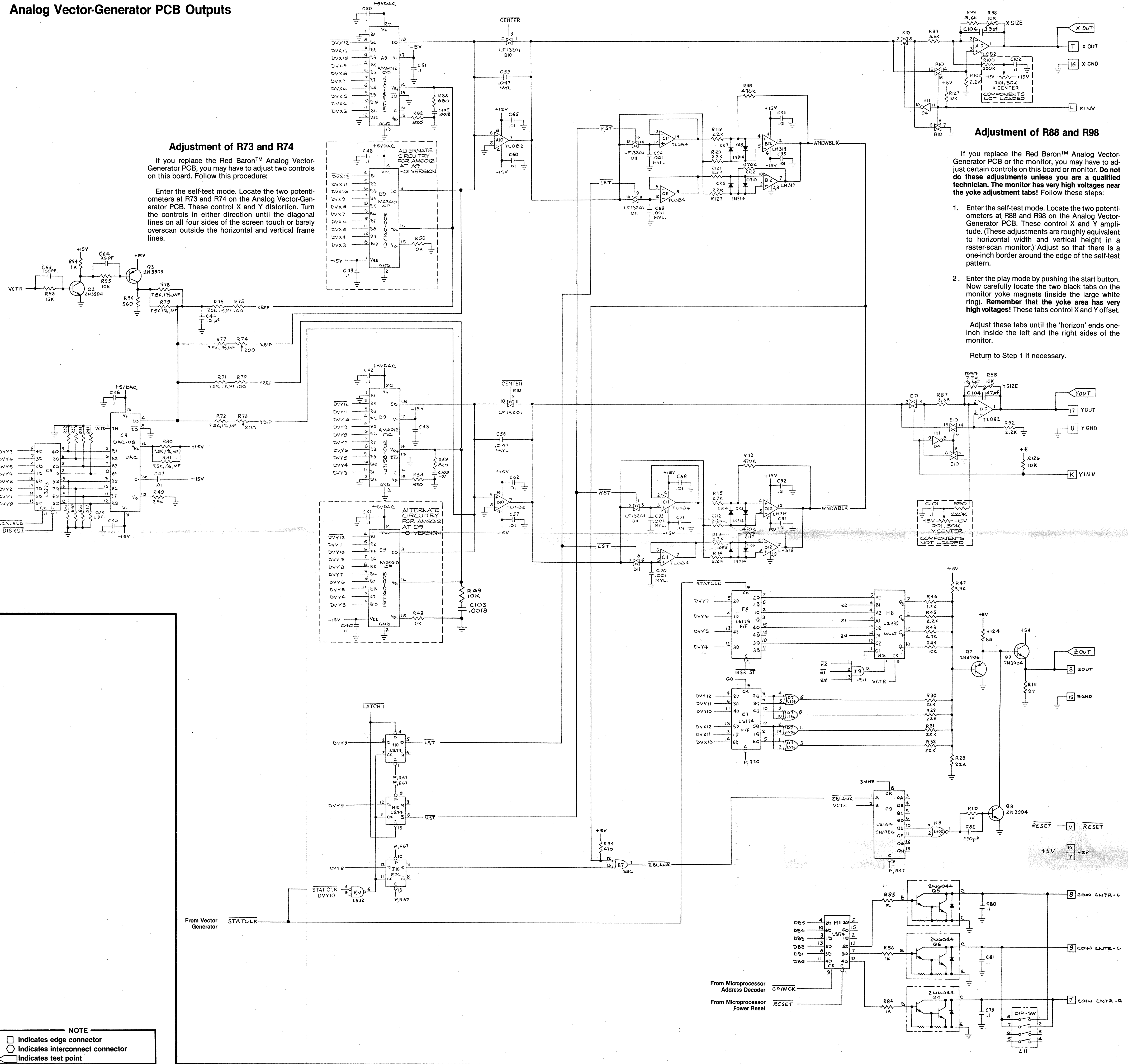
NOTICE TO ALL PERSONS RECEIVING THIS DRAWING  
 CONFIDENTIAL. Reproduction forbidden without the  
 specific written permission of Atari, Inc., Sunnyvale, CA.  
 This drawing is only conditionally issued, and neither  
 request nor possession thereof confers or transfers any  
 right in or license to use the subject matter of the drawing  
 or any design or technical information shown thereon,  
 nor any right to reproduce this drawing or any part  
 thereof. Except for manufacture by vendors of Atari, Inc.  
 and for manufacture under the corporation's written  
 license, no right to reproduce this drawing is granted or  
 the subject matter thereof unless by written agreement  
 with or written permission from the corporation.



Sheet 2, Side B  
**RED BARON™**

Analog Vector-Generator PCB  
 Switch Inputs  
 Analog Vector-Generator PCB  
 Video Output  
 Analog Vector-Generator PCB  
 Coin Counter Output  
 Section of 035742-01 & -02 B

### Analog Vector-Generator PCB Outputs



#### Adjustment of R73 and R74

If you replace the Red Baron™ Analog Vector-Generator PCB, you may have to adjust two controls on this board. Follow this procedure:

Enter the self-test mode. Locate the two potentiometers at R73 and R74 on the Analog Vector-Generator PCB. These control X and Y distortion. Turn the controls in either direction until the diagonal lines on all four sides of the screen touch or barely overscan outside the horizontal and vertical frame lines.

#### Adjustment of R88 and R98

If you replace the Red Baron™ Analog Vector-Generator PCB or the monitor, you may have to adjust certain controls on this board or monitor. Do not do these adjustments unless you are a qualified technician. The monitor has very high voltages near the yoke adjustment tabs! Follow these steps:

1. Enter the self-test mode. Locate the two potentiometers at R88 and R98 on the Analog Vector-Generator PCB. These control X and Y amplitude. (These adjustments are roughly equivalent to horizontal width and vertical height in a raster-scan monitor.) Adjust so that there is a one-inch border around the edge of the self-test pattern.
2. Enter the play mode by pushing the start button. Now carefully locate the two black tabs on the monitor yoke magnets (inside the large white ring). Remember that the yoke area has very high voltages! These tabs control X and Y offset. Adjust these tabs until the 'horizon' ends one-inch inside the left and the right sides of the monitor.

Return to Step 1 if necessary.

NOTE  
 □ Indicates edge connector  
 ○ Indicates interconnect connector  
 ◻ Indicates test point