

P3 - From AN2305 for 68HC908QY/QT

AN2305
Software Description

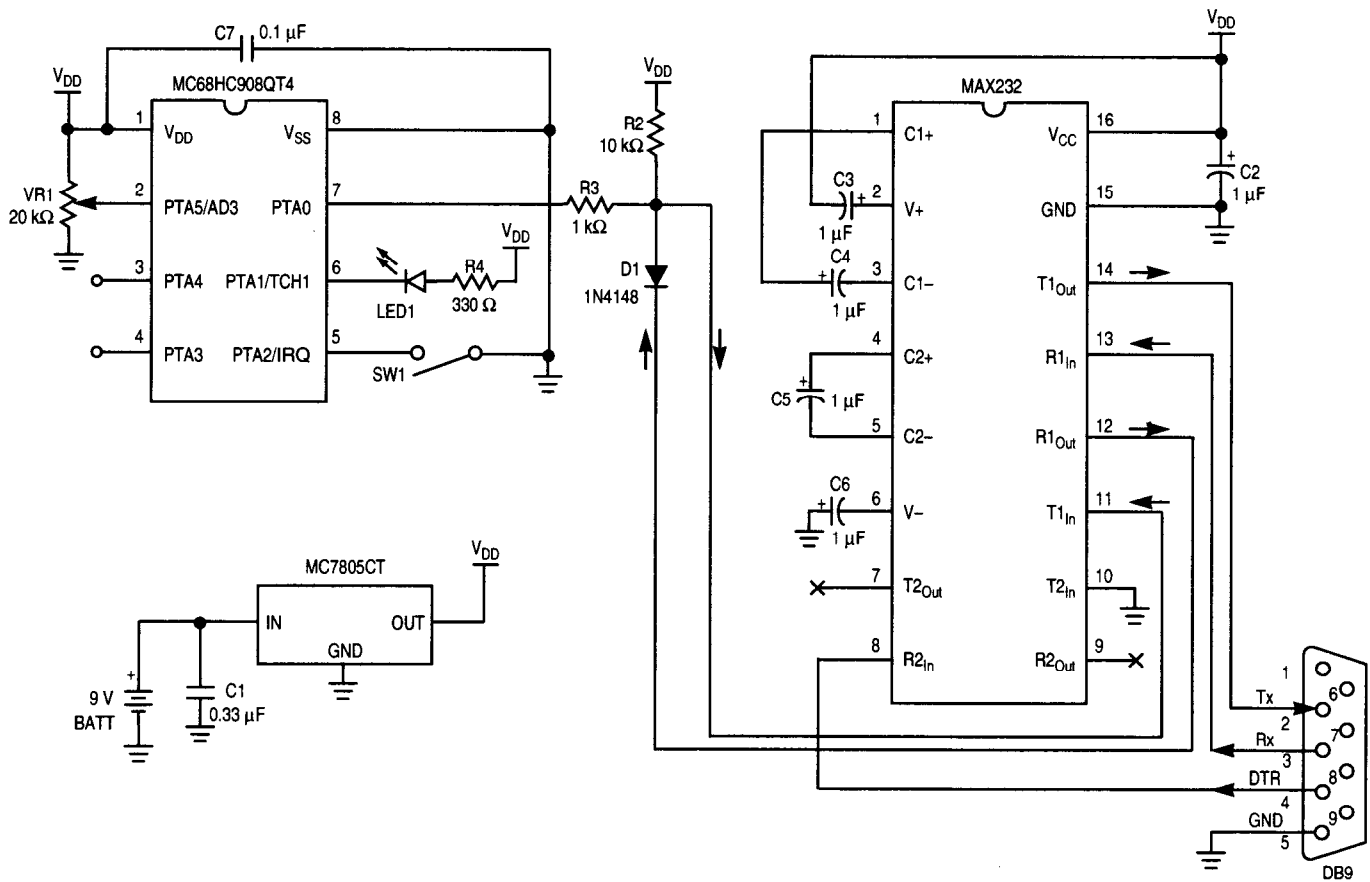


Figure 1. Low-Cost Evaluation Board Schematic