

Williams[®]

SOLAR FIRE

PARTS SUPPLEMENT



FLIPPERSPILL.COM

Scanned by:
Dave Rubin

Williams[®] 
ELECTRONICS, INC.

3401 N. California Ave., Chicago, IL 60618
Cable Address: WILCOIN, CHICAGO
(312) 267-2240



R-8552-507 BACKGLASS

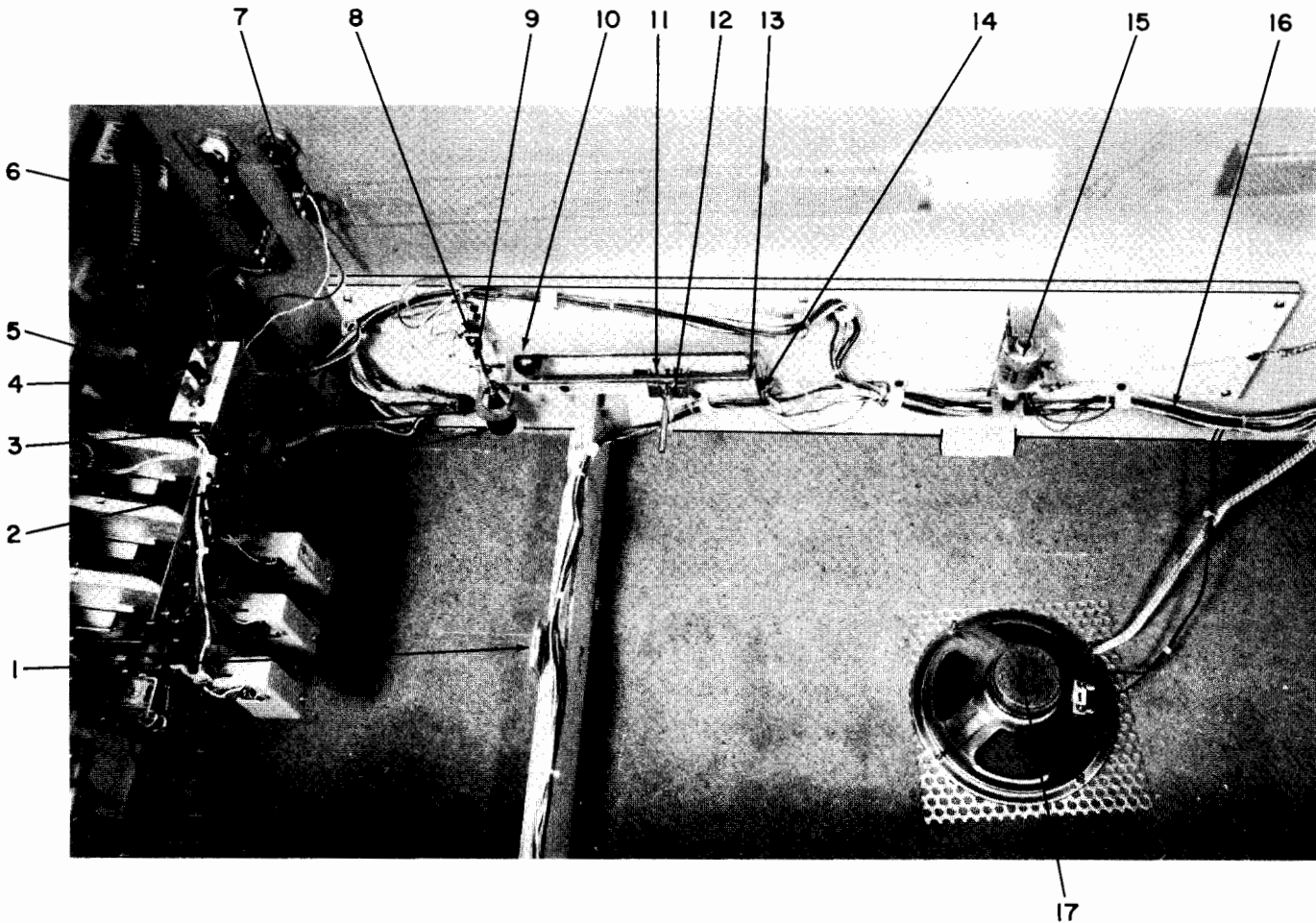
ROM SUMMARY

ROM DESCRIPTION	PART NO.
Flipper ROM 1	5341-09553-00
Flipper ROM 2	5341-09554-00
Game ROM 0	5343-09693
Game ROM 1	5343-09692
Sound ROM 7	5343-05070

CABINET PARTS

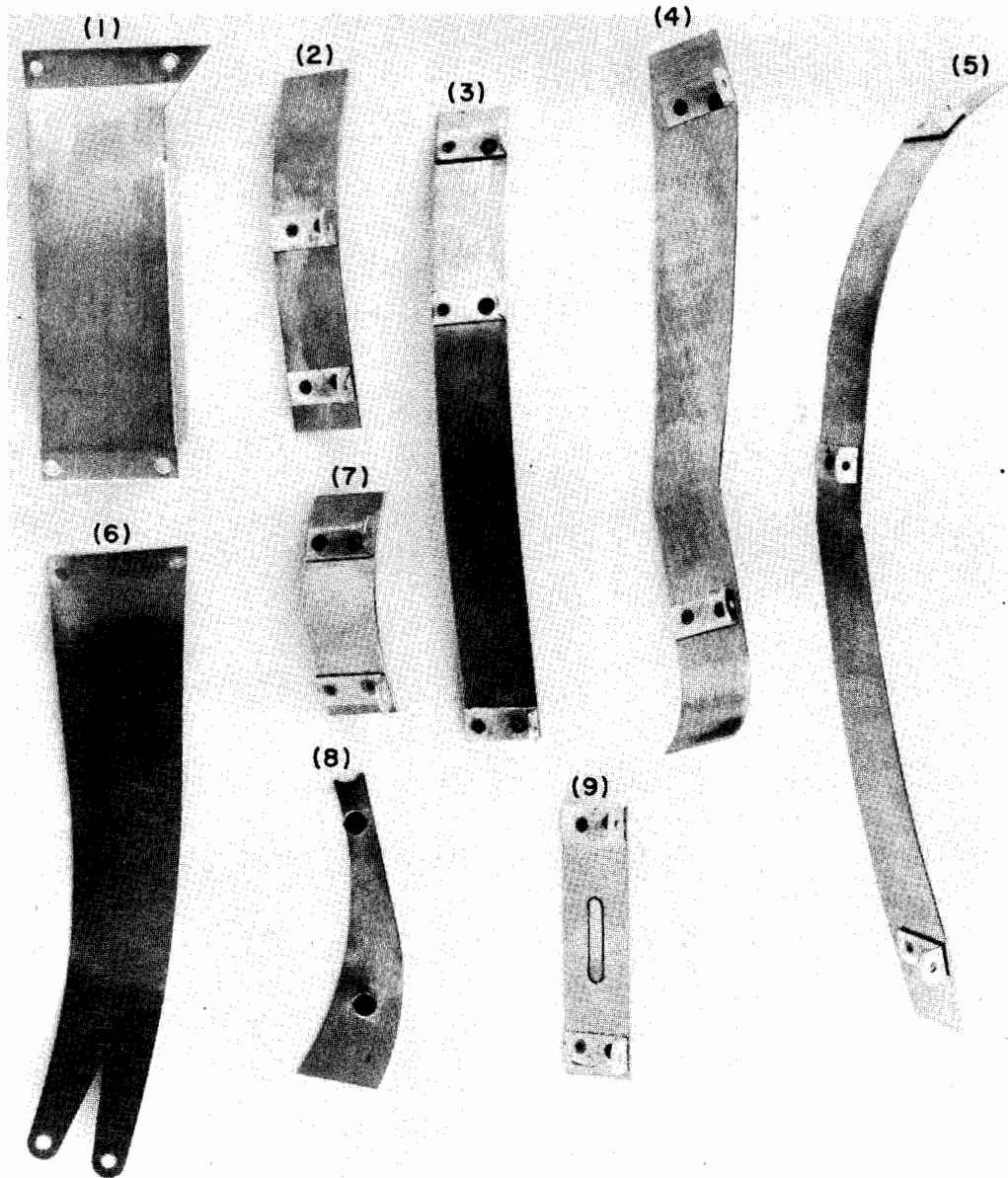
ITEM	PART NO.	DESCRIPTION
1	01-3493-1	Cashbox Lock Bracket
2	20-6502-A	Plumb Bob
3	01-3445	Lower Tilt Bracket
4	5643-09268	Memory Interlock Switch
5	01-5589	Memory Interlock Switch Bracket
6	SW-1010A-13	Flipper Switch
7	01-3444	Upper Tilt Bracket
8	B-8536	Switch and Diode Assembly
9	12-6231	Plumb Bob Wire
10	01-3893	Roll Tilt Bracket
11	5014-09170	Pot, 5K, 10%, 1W
12	01-6858	Pot Mounting Bracket
13	01-3670-1	Switch Plate
14	B-8537	Switch and Diode Assembly
*15	B-8047	Knocker Assembly
*16	H-8507-504	Main Cabinet Cable
17	5555-09382-01	Speaker, 4 Ohm, 6"

* See Extended Parts List

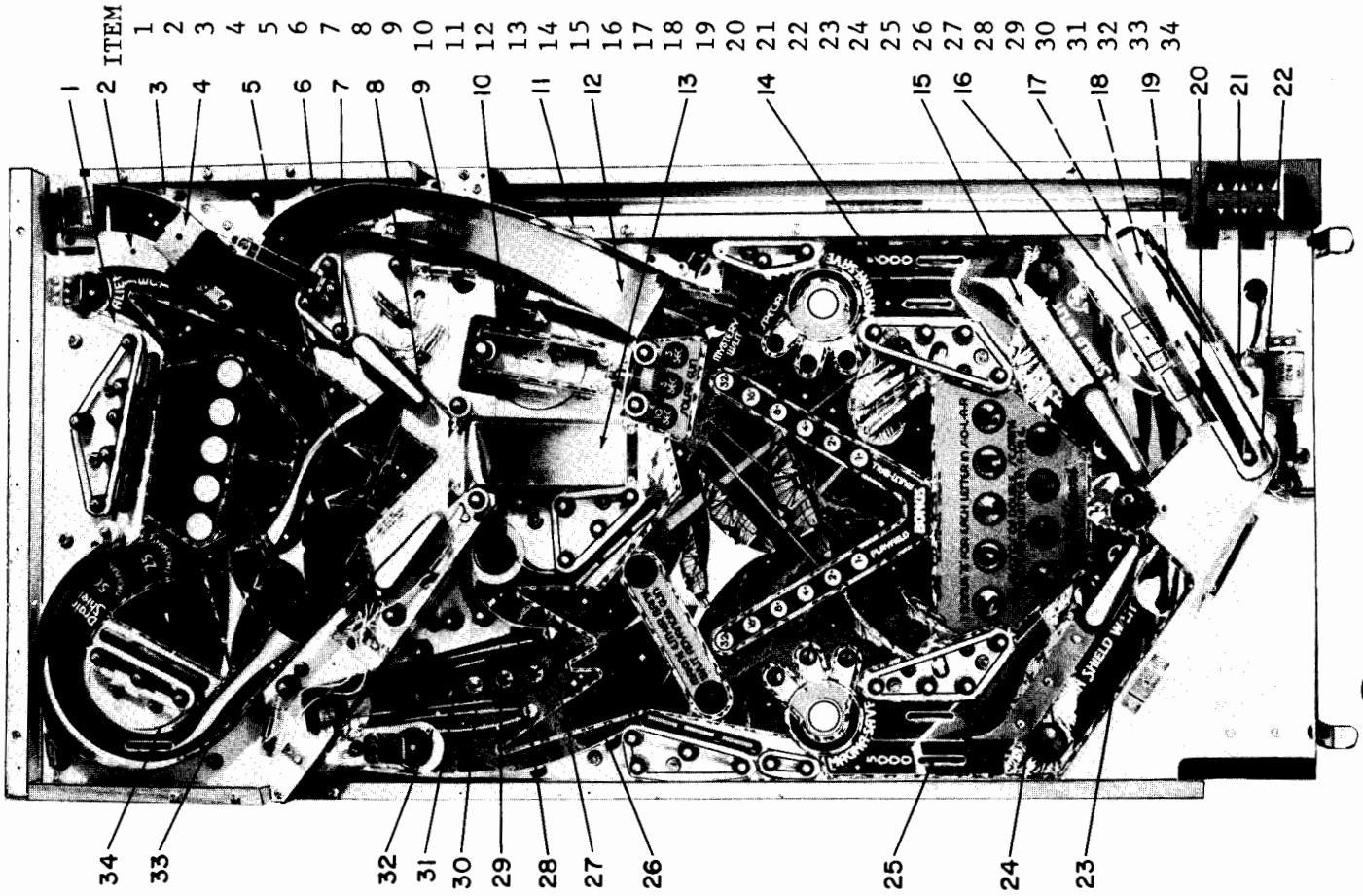


BALL GUIDES

ITEM	PART NO.	DESCRIPTION
1	01-7188	Center Ramp
2	B-8766	Upper Right Ball Guide
3	B-8765	Left Side Eject Hole
4	C-8421	Right Ramp Left Wall
5	C-8419	Right Ramp Right Wall
6	01-7014	Right Ramp
7	B-8764	Lower Center Eject Hole Guide
8	B-8806	Upper Right Ball Guide
9	A-8767	Solar Gun Walls



BALL GUIDES/WIREFORMS



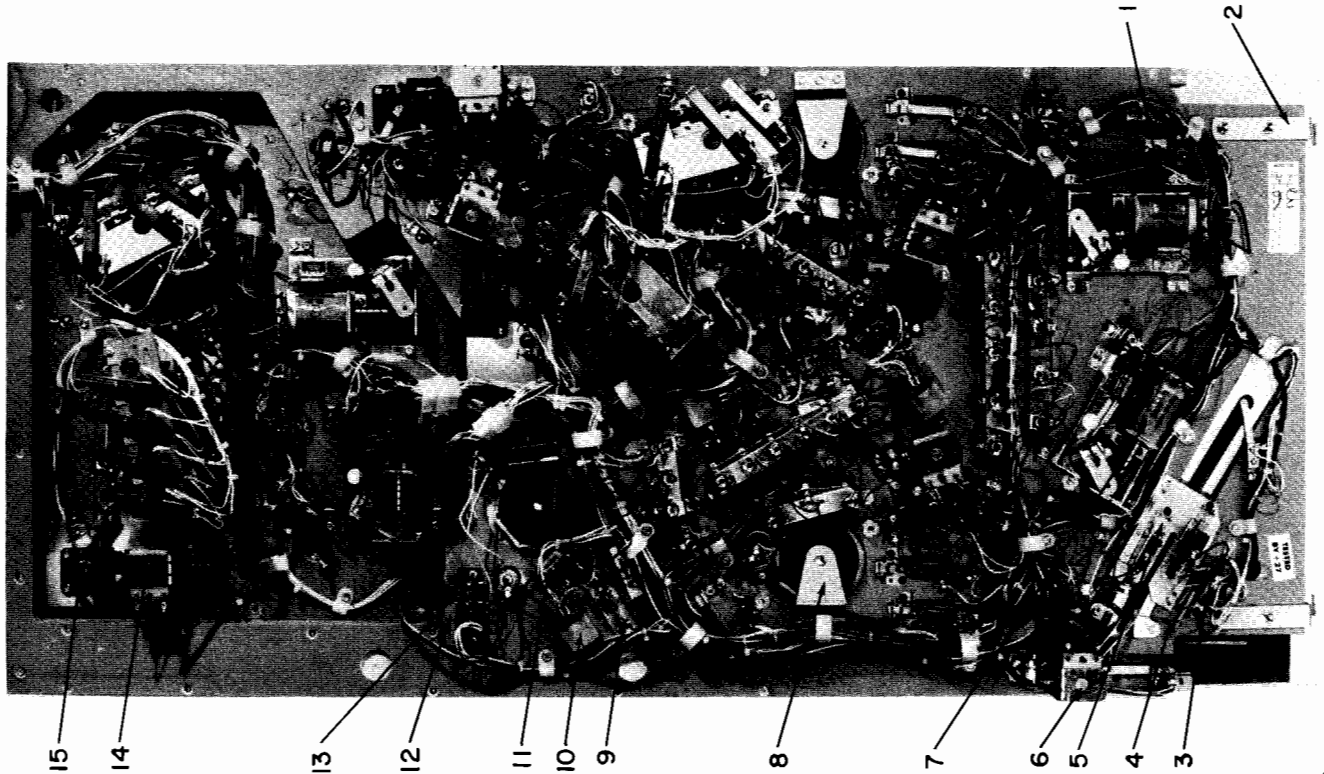
1 ITEM
 1
 2
 3
 4
 5
 6
 7
 8
 9
 10
 11
 12
 13
 14
 15
 16
 17
 18
 19
 20
 21
 22
 23
 24
 25
 26
 27
 28
 29
 30
 31
 32
 33
 34

PART NO.
 12-6466-6
 B-8806
 B-8766
 A-8244-L
 12-6505
 C-8419
 20-6531
 12-6466-10
 C-8421
 A-8767
 12-6466-16
 01-7014
 01-7188
 12-6466-12
 A-8108-R
 A-5844-46
 A-5844-45
 A-5844-44
 B-8623
 C-8235
 01-3569-1
 12-6542
 12-6468
 A-8108-L
 A-5844-35
 B-8765
 12-6591
 B-8764
 12-6466-24
 12-6466-21
 12-6590
 12-6469-15
 C-8763
 12-6592

DESCRIPTION
 Ball Guide Wireform
 Upper Right Ball Guide
 Upper Right Ball Guide
 Ball Gate Assembly
 Ball Gate Wireform
 Right Ramp Right Wall
 Playfield Pin
 Ball Guide Wireform
 Right Ramp Left Wall
 Solar Gun Walls
 Ball Guide Wireform
 Right Ramp
 Center Ramp
 Ball Guide Wireform
 Flipper Return Ball Guide Frame Assembly, Right
 Rollover Wireform
 Rollover Wireform
 Rollover Wireform
 Ball Return Runway Left Wall Guide/Baffle Assembly
 Ball Return Runway Right Wall Guide
 Ball Return Runway
 Ball Gate Wireform
 Anti-Rebound Wireform
 Flipper Return Ball Guide Frame Assembly, Left
 Rollover Wireform
 Left Side Eject Hole
 Center Eject Hole, Right Wall Wireform
 Lower Center Eject Hole Guide
 Ball Guide Wireform
 Ball Guide Wireform
 Ball Guide Wireform
 Ball Guide Wireform
 Ball Guide Assembly
 Ball Guide Wireform

BRACKETS, TARGETS & MISC.

Bottom View

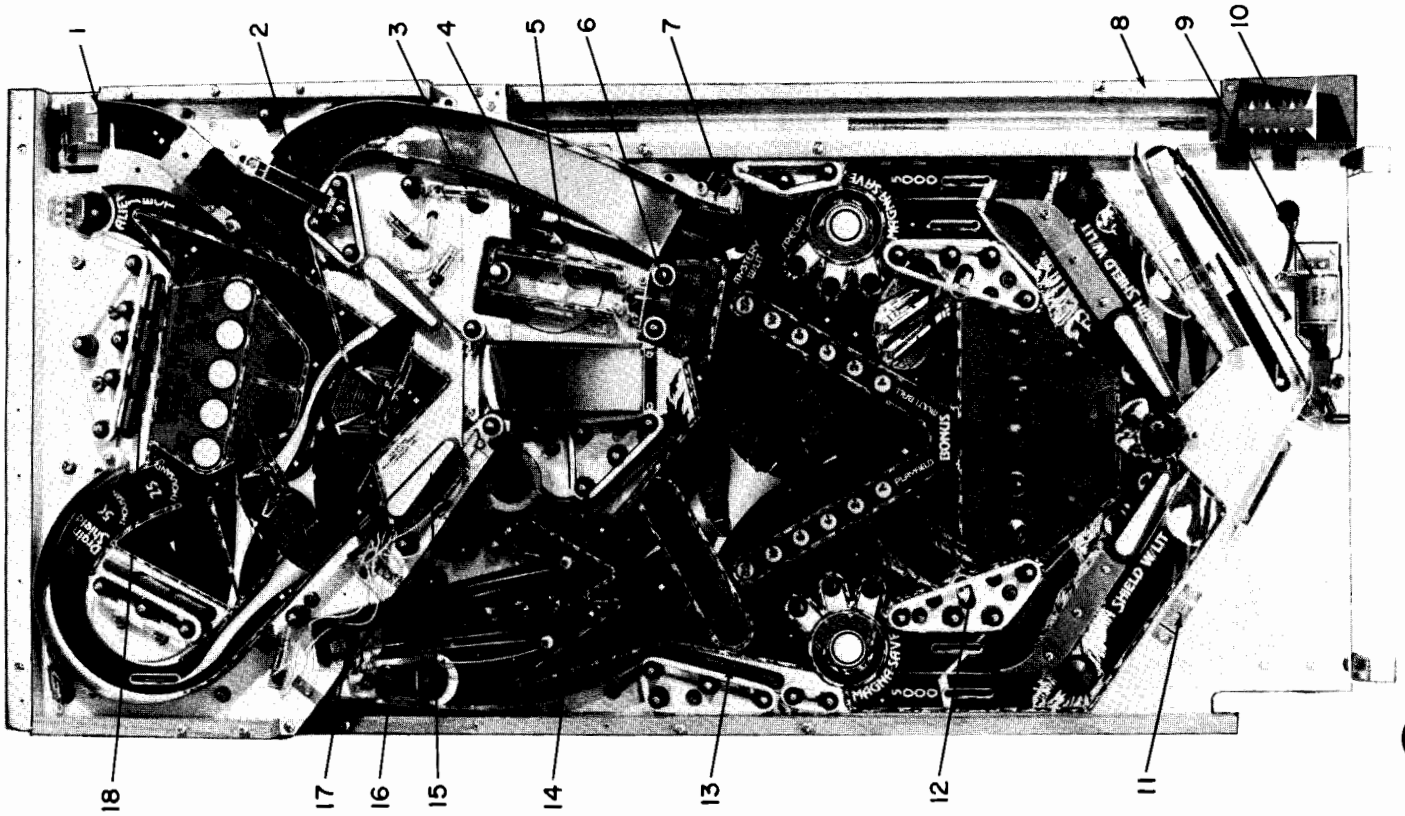


ITEM	PART NO.	DESCRIPTION
*1	C-8230-L	Flipper Assembly, Left
2	01-3536	Lower Playfield Hold Bracket
3	01-7128	Microswitch Bracket
4	A-8645	Rollover Wireform and Bracket Assembly
5	A-8643	Bracket and Plate Assembly
*6	B-7472-8	Ball Ramp Thrower
*7	C-8230-R	Flipper Assembly, Right
*8	A-8447	Coil Magnet and Bracket Assembly
9	5730-06508	Fuse, 10A, 32V
10	5580-09613	12 VDC Single Pole Relay
11	5012-09083	Resistor, 100 Ohm, 5%, 3W
12	5012-09686	Resistor, 330 Ohm, 10%, 7W
13	5010-09181	Resistor, 1 Ohm, 5%, 1/2 W
*14	B-7472-5R	Ball Eject Assembly
15	03-7351-1	Eject Hole Shield

* See Extended Parts List

BRACKETS, TARGETS & MISC.

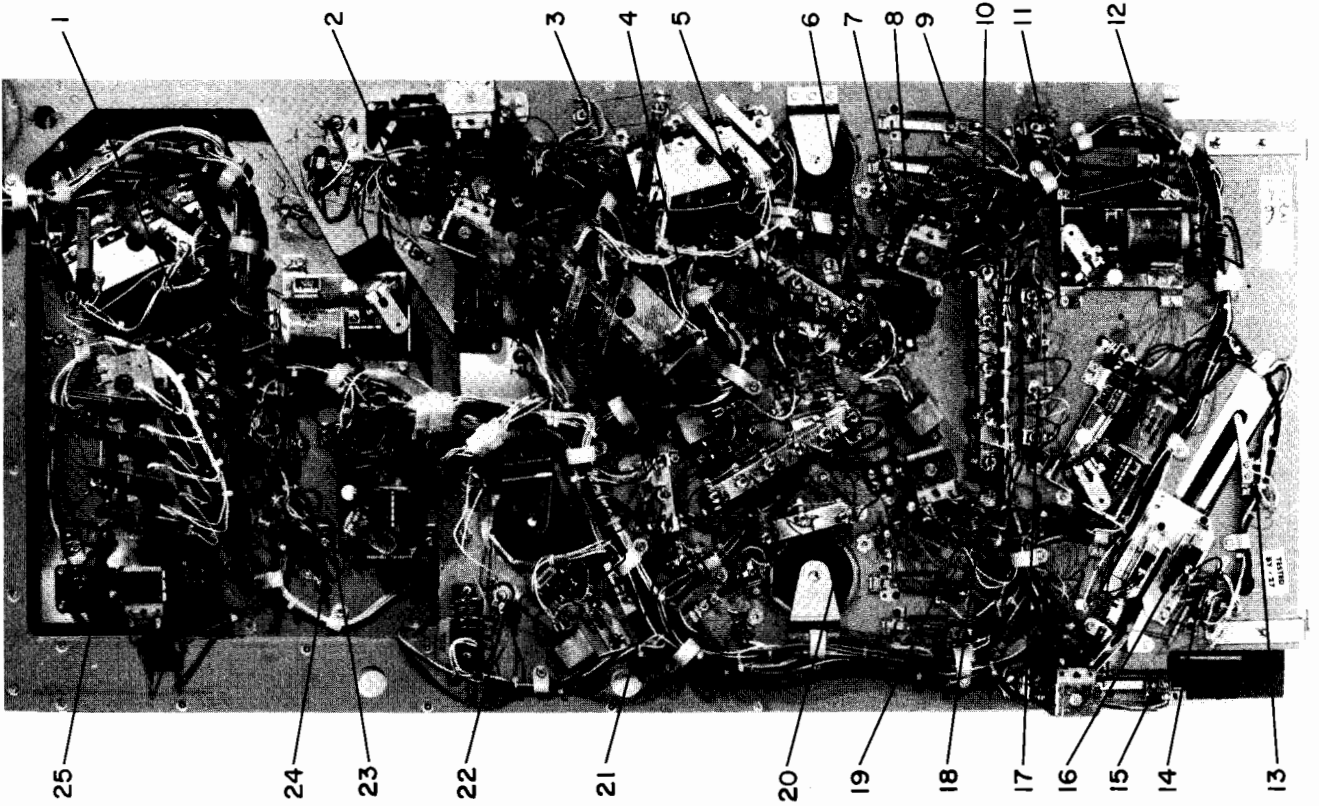
Top View



ITEM	PART NO.	DESCRIPTION
1	B-8448	Ball Turnaround and Bracket Assembly
2	01-6644	Ball Gate Bracket
3	24-6406	Socket
4	5647-09687	Microswitch
5	01-7197	Switch Bracket
*6	A-8785	Solar Gun Target Button Assembly
7	A-8286	Bull's Eye Target
8	01-3575	Strike Plate
*9	B-8039	Ball Release Assembly
10	31-1009-507	Shooter Gauge Plate
11	01-5575	Bottom Arch Mounting Bracket
*12	B-8055	Nylon Kicker Assembly
13	D-8442	3-Bank Drop Target Assembly
14	03-7542-9	Nylon Post
15	20-9250-6	Flipper and Shaft Assembly (Yellow)
16	01-6933	Eject Hole Deflector
17	A-8100	Stationary Target Assembly
18	D-8789	4-Bank Drop Target Assembly

* See Extended Parts List

SOCKETS & SWITCHES

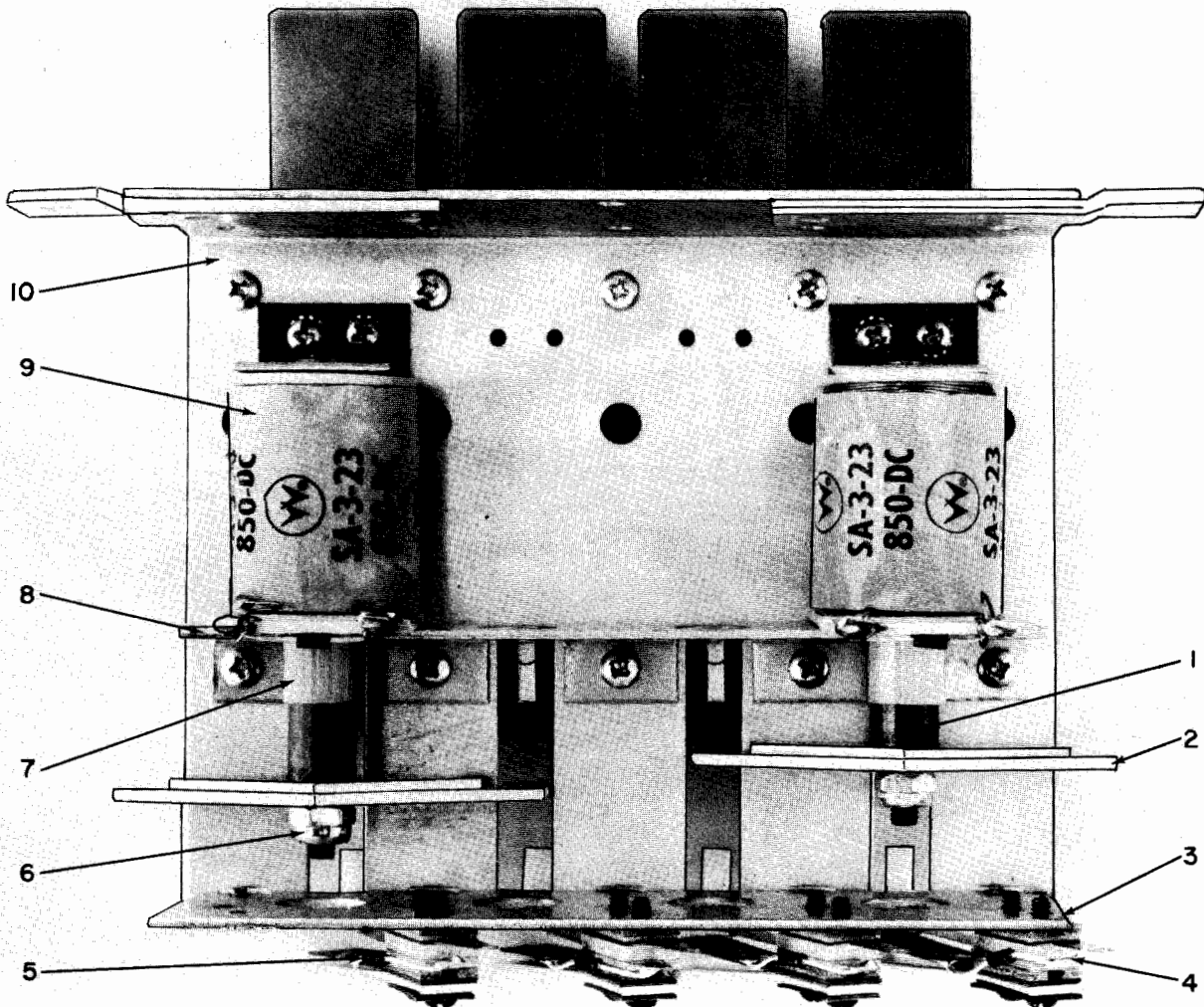


ITEM	PART NO.	DESCRIPTION
1	B-8565-1	Socket Assembly, 5 Bank
2	B-8564-1	Socket Assembly, 5 Bank
3	24-6607	Socket, Insert
4	A-8449-1	Socket Assembly
5	B-8780-1	Socket and Bulb Assembly, 6 Bank
6	B-8786-1	Socket and Bulb Assembly, 3 Bank
7	24-6608	Socket, Playfield
8	B-8309	Switch and Diode Assembly
9	B-8410	Switch and Diode Assembly
10	A-4834-H	Switch, Stand-Up
11	24-8691	Socket, Stand-Up
12	B-8306-1	Tilt Switch and Bracket Assembly
13	B-8408	Switch and Diode Assembly
14	5647-09633	Microswitch, E63-55HD
15	B-8677	Switch and Diode Assembly
16	5647-09632	Microswitch, E23-50H
17	B-8790-1	Socket and Bulb Assembly, 4 Bank
*18	B-8734	Switch, Kicker, Sub-Assembly
19	B-8367-1	Socket Assembly, 5 Bank
20	B-8661-1	Socket and Bulb Assembly, 3 Bank
21	B-8694-1	Socket Assembly, 3 Bank
22	24-6421-4	Socket, Large Light
23	B-8776	Switch Assembly
24	12-6484	Switch Actuating Wire
25	B-8389	Switch and Diode Assembly

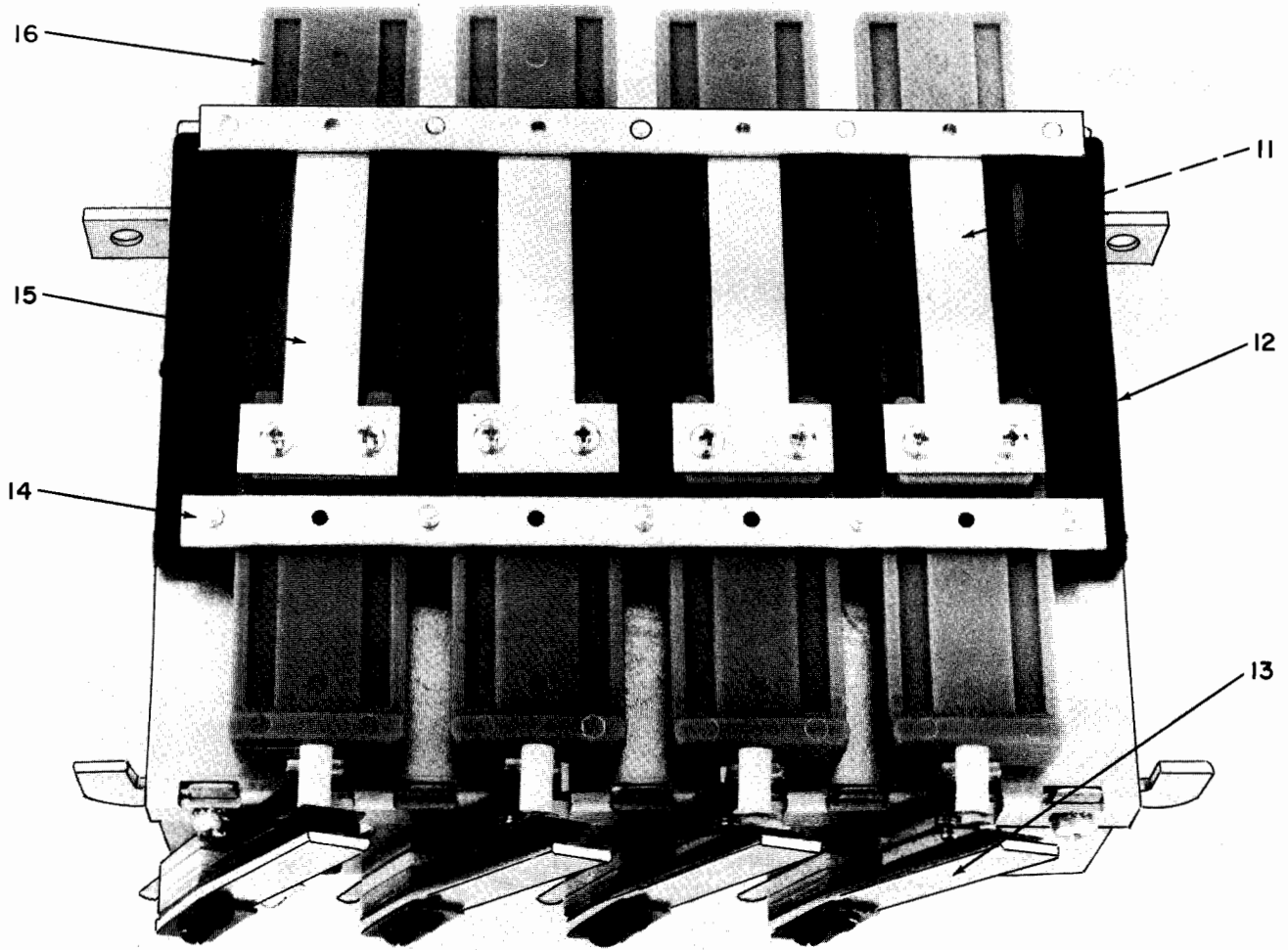
*See Extended Parts List

4-BANK DROP TARGET ASSEMBLY

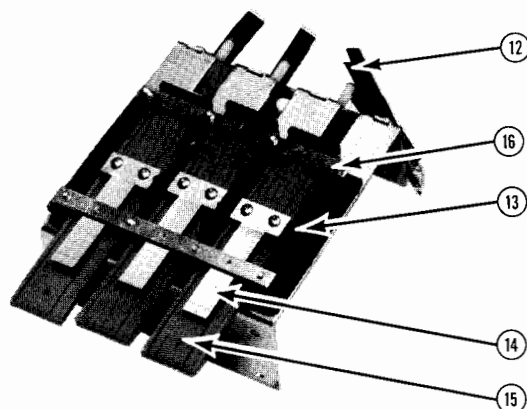
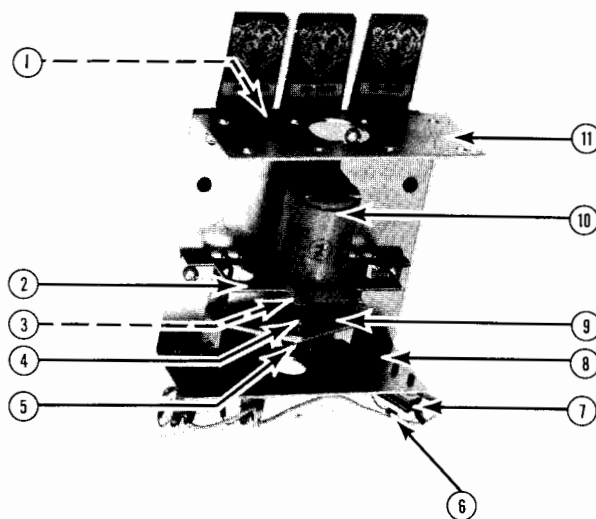
ITEM	PART NO.	DESCRIPTION
1	02-3972	Coil Plunger
2	01-7036	Reset Plate
3	01-7204	Switch Mounting Bracket
4	SW-1A-141	Switch
5	5070-06258-00	Diode, IN4001
6	4410-01132-00	Nut, 10-32
7	03-7066-4	Coil Tubing
8	1-6451-4	Coil Support Bracket
9	SA3-23-850-DC	Coil Assembly
10	C-8797	Drop Target Frame Assembly
11	10-364	Target Retractor Spring
12	01-7479	Drop Target Guide
13	01-3670	Switch Plate, Curved
14	01-6450-4	Target Retaining Bar
15	01-7037	Target Back-Up Blade
16	03-7478	Drop Target



4-BANK DROP TARGET ASSEMBLY (cont.)



Drop Target Assembly

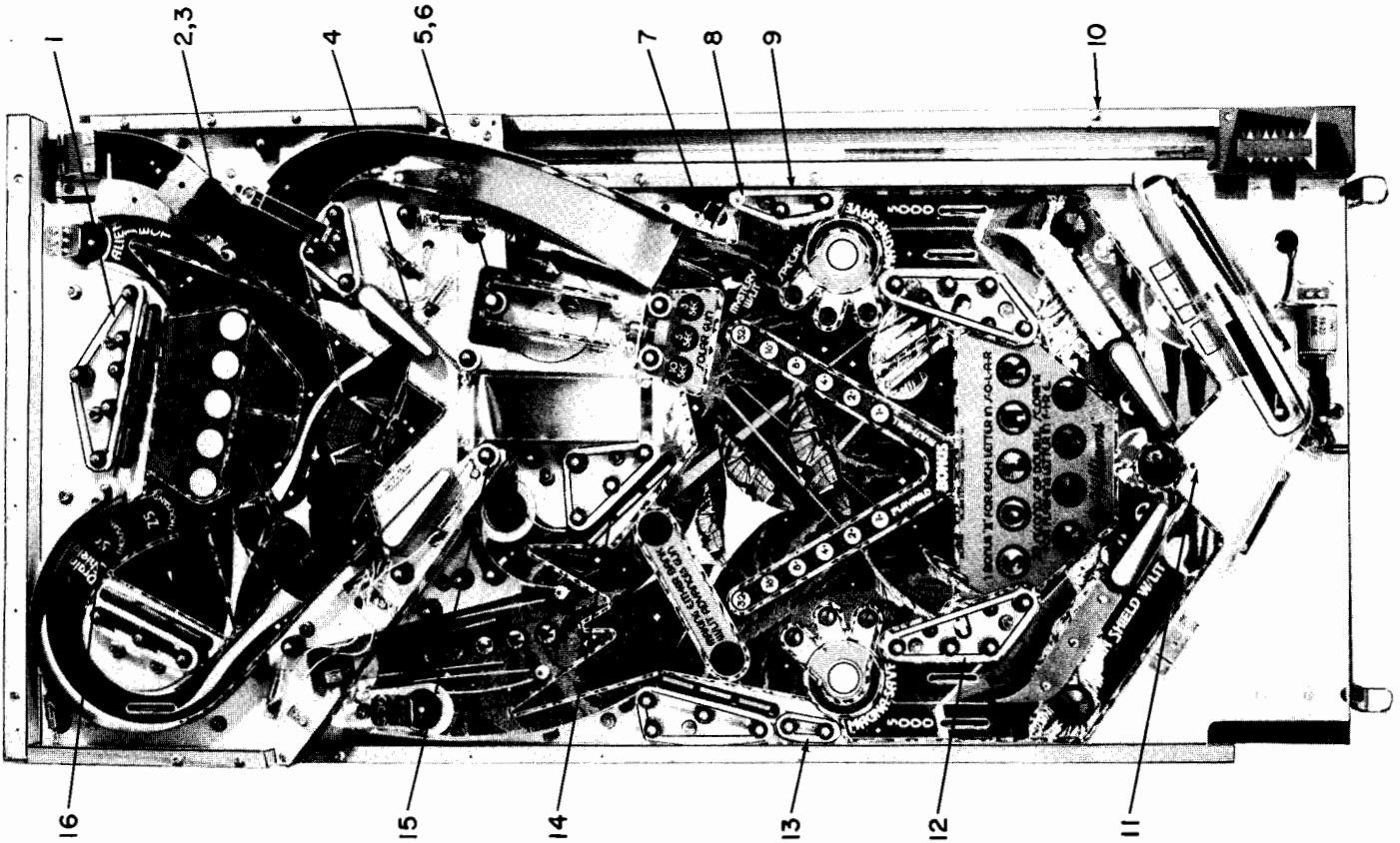


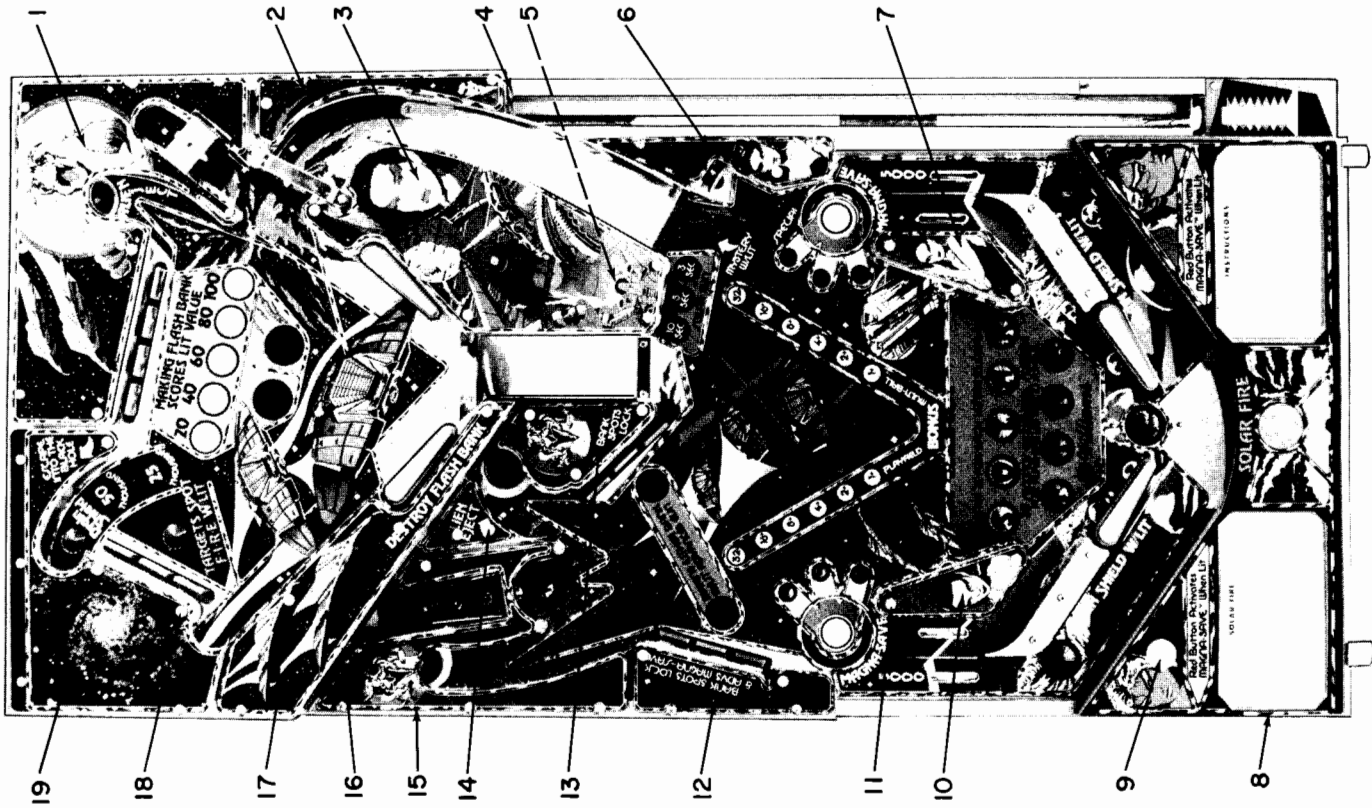
PARTS LIST

<u>ITEM</u>	<u>PART NO.</u>	<u>DESCRIPTION</u>
1	10-364	Target Retractor Spring
2	01-6451-3A	Coil Support Bracket
3	03-7066-4	Coil Tubing
4	02-3972	Coil Plunger
5	4410-01119-00	Nut, 10-32
6	5070-06258-00	Diode 1N4001
7	SW-1A-141	Cam Switch
8	01-7035	Switch Mountng Bracket
9	01-7036	Reset Plate
10	SA3-23-850-DC	Coil Assembly
11	01-7038	Drop Target Frame
12	01-3670	Switch Plate Curved
13	01-7479	Guide, Drop Target
14	01-7037	Target Back-Up Blade
15	03-7478	Drop Target
16	01-6450-3	Target Retaining Bar

RUBBERS & POSTS

ITEM	PART NO.	DESCRIPTION
1	23-6307	Rubber Ring, 2-7/8"
2	02-4008	Rubber Bumper Post
3	23-6535	Rubber Bumpers
4	23-6519-4	Rubber Ring, Red
5	02-3992	Rubber Bumper Post
6	23-6531	Rubber Bumper, White
7	02-4003	Rubber Bumper Post
8	02-3408	Playfield Post
9	23-6305	Rubber Ring, 2"
10	02-4020	Support Post
11	02-3905	Rubber Bumper Post
12	23-6306	Rubber Ring, 2-3/8"
13	23-6302	Rubber Ring, 1"
14	23-6304	Rubber Ring, 1-1/2"
15	23-6300	Rubber Ring, 5/16"
16	23-6551	Rubber Bumper, Yellow





PLASTICS

ITEM	PART NO.	DESCRIPTION
1	B-8812	Plastic & Ferrule Assembly
2	A-8813	Plastic & Ferrule Assembly
3	31-1006-507-13	Screened Plastic
4	A-8807	Plastic & Bracket Assembly
5	31-1006-507-7	Screened Plastic
6	31-1006-507-9	Screened Plastic
7	31-1006-507-2	Screened Plastic
8	31-1008-507	Bottom Arch Assembly
9	03-7266	Bottom Arch Plastic Plug
10	31-1006-507-1	Screened Plastic
11	20-9176	Hex Nut, Nylon (L) TV
12	31-1006-507-12	Screened Plastic
13	31-1006-507-5	Screened Plastic
14	31-1006-507-3	Screened Plastic
15	31-1006-507-8	Screened Plastic
16	B-8808	Plastic & Bracket Assembly
17	31-1006-507-6	Screened Plastic
18	23-6543	Retaining Grommet (L) & (U) TV
19	31-1006-507-4	Screened Plastic

EXTENDED PARTS LIST

PART NO.	DESCRIPTION
A-8447	Coil Magnet and Bracket Assembly
A-8485	Bracket and Pole Piece Assembly
20-9247	Coil Magnet and Thermal Breaker
A-8785	Solar Gun Target Button Assembly
01-7196	Button Bracket
02-3031-3	Bushing
03-7592-4	Button
10-366	Spring
20-6530-C	Cotter Pin
4702-00019	Brass Sleeve
4424-01135	Nut, 1/2-20
B-7472-5R	Ball Eject Assembly
A-6949-R	Spring Plate Assembly
A-7950-R	Mounting Bracket Assembly
A-7471-R	Eject Cam Assembly
A-8050	Coil Plunger Assembly
B-757201	Bracket and Stop Assembly
SG1-23-850-DC	Coil Assembly
01-8-508-S	Coil Retaining Bracket
10-128	Spring
10-320	Spring
12-6227	Hairpin Clip
B-7472-8	Ball Ramp Thrower Assembly
A-6949-L	Spring Plate Assembly
A-8268	Mounting Bracket Assembly
A-8247	Eject Cam Assembly
A-5103	Coil Plunger Assembly
SG1-23-850-DC	Coil Assembly
01-8-508-S	Coil Retaining Bracket
10-128	Spring
10-362	Spring
12-6227	Hairpin Clip
B-8039	Ball Release Assembly
A-6378	Mounting Plate Assembly
A-6889	Lever Assembly
A-8038	Coil Stop Assembly
SA3-23-850-DC	Coil Assembly
01-4251	Coil Release
02-2364	Coil Plunger
03-7176-1	Striker Ring
10-101-4	Spring
20-8712-25	Retaining Ring
20-8716-5	Roll Pin
B-8047	Knocker Assembly
A-5387	Coil Plunger Assembly
B-5778	Knocker Mounting Assembly
SA-2-23-850-DC	Coil Assembly
01-8-508-T	Coil Retaining Bracket
03-7556	Insulator
23-6420	Rubber Grommet
B-8055	Nylon Kicker Assembly
A-5653	Mounting Bracket Assembly
A-7986	Crank Assembly
A-5103	Coil Plunger Assembly
B-7572-1	Bracket and Stop Assembly
SG1-23-850-DC	Coil Assembly
01-8-508-S	Coil Retaining Bracket
10-128	Spring
12-6227	Hairpin Clip

EXTENDED PARTS LIST (cont.)

PART NO.	DESCRIPTION
B-8734	Switch, Kicker, Sub-Assembly
B-4834-K-1	Stand Up Switch
5010-09036	Resistor, 100 Ohm, 5%, 1/4W
5040-09370	Capacitor, 22 mFd, 25V, 20%
C-8230-L(R)	Flipper Assembly
A-8232-L(R)	Coil Plunger and Crank Assembly
C-8231-L(R)	Bracket and Stop Assembly
SFL-19-400/30-750-DC	Coil Assembly
SW-10A-50	Switch
01-6928	Coil Mounting Bracket
01-6967	Crank Washer
03-7568	Flipper Bushing
10-135	Spring
H-8507-504	Main Cabinet Cable
H-8527	Volume Control Cable
03-7520-2	Nylon Ty-Wrap