

GAME 0H06  
MANUAL NO. 0H06-00300-0200



DUNGEONS & DRAGONS™ is a trademark owned by and used under license from TSR, Inc. ©1987 TSR, Inc. All Rights Reserved.

## Parts Manual

**Bally**  
MIDWAY™

10601 W. Belmont Ave. • Franklin Park, Illinois 60131 • U.S.A.  
Telephone: (312) 451-9200 • Fax No.: 312-451-4150  
Cable Address: MIDCO • Telex No.: 72-1596



**NO PART OF THIS PUBLICATION MAY BE REPRODUCED BY ANY MECHANICAL, PHOTOGRAPHIC, OR ELECTRONIC PROCESS, OR IN THE FORM OF A PHONOGRAPHIC RECORDING, NOR MAY IT BE TRANSMITTED, OR OTHERWISE COPIED FOR PUBLIC OR PRIVATE USE, WITHOUT PERMISSION FROM THE PUBLISHER. THIS MANUAL IS FOR SERVICE USE ONLY, AND NOT FOR GENERAL DISTRIBUTION. FOR PERMISSION REQUESTS, WRITE: BALLY MIDWAY MFG. CO., 10601 W. BELMONT AVE., FRANKLIN PARK, IL 60131.**

**USE ONLY GENUINE BALLY MIDWAY  
APPROVED REPLACEMENT PARTS.**

**©COPYRIGHT MCMLXXXVII BY BALLY MIDWAY MFG. CO. ALL RIGHTS RESERVED.**

# DUNGEONS & DRAGONS

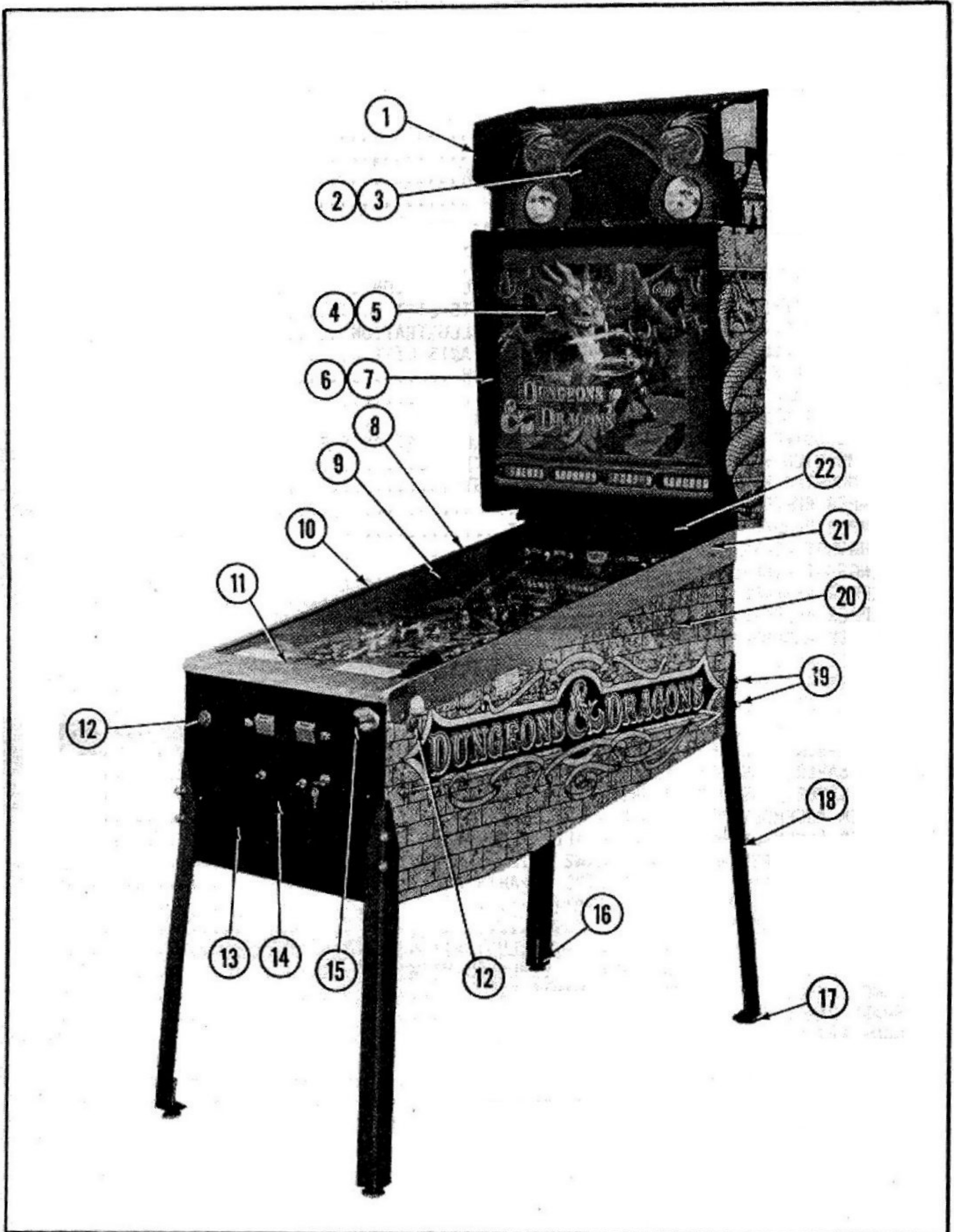
## TABLE OF CONTENTS

### ILLUSTRATED PARTS BREAKDOWN

DESCRIPTION	PAGE
EXTERNAL PARTS - ILLUSTRATION .....	2
EXTERNAL PARTS - PARTS LIST .....	3
INTERNAL PARTS - ILLUSTRATION .....	4
INTERNAL PARTS - PARTS LIST .....	5
BACK BOX SAFETY WARNING .....	7
BACK CABINET ASSEMBLY - ILLUSTRATION .....	8
BACK CABINET ASSEMBLY - PARTS LIST .....	9
TOP PLAYFIELD ASSEMBLY W/PLASTICS - ILLUSTRATION .....	10
TOP PLAYFIELD ASSEMBLY W/PLASTICS - PARTS LIST .....	11
TOP PLAYFIELD ASSEMBLY W/O PLASTICS - ILLUSTRATION .....	14
TOP PLAYFIELD ASSEMBLY W/O PLASTICS - PARTS LIST .....	15
BOTTOM PLAYFIELD ASSEMBLY - ILLUSTRATION .....	18
BOTTOM PLAYFIELD ASSEMBLY - PARTS LIST .....	19
KNOCKER ASSEMBLY - ILLUSTRATION & PARTS LIST .....	22
BALL SHOOTER ROD & SPRING ASSEMBLY - ILLUSTRATION & PARTS LIST .....	23
TOP MOUNTED KICKER ASSEMBLY - ILLUSTRATION .....	24
TOP MOUNTED KICKER ASSEMBLY - PARTS LIST .....	25
THUMPER BUMPER ASSEMBLY - ILLUSTRATION .....	26
THUMPER BUMPER ASSEMBLY - PARTS LIST .....	27
SLINGSHOT KICKER ASSEMBLY - ILLUSTRATION .....	28
SLINGSHOT KICKER ASSEMBLY - PARTS LIST .....	29
FLIPPER ASSEMBLY SINGLE SWITCH LEFT - ILLUSTRATION .....	30
FLIPPER ASSEMBLY SINGLE SWITCH LEFT - PARTS LIST .....	31
FLIPPER ASSEMBLY SINGLE SWITCH RIGHT - ILLUSTRATION .....	32
FLIPPER ASSEMBLY SINGLE SWITCH RIGHT - PARTS LIST .....	33
FLIPPER ASSEMBLY DOUBLE SWITCH RIGHT - ILLUSTRATION .....	34
FLIPPER ASSEMBLY DOUBLE SWITCH RIGHT - PARTS LIST .....	35
BALL SAVER ASSEMBLY: LEFT - ILLUSTRATION .....	36
BALL SAVER ASSEMBLY: LEFT - PARTS LIST .....	37
BALL SAVER ASSEMBLY: RIGHT - ILLUSTRATION .....	38
BALL SAVER ASSEMBLY: RIGHT - PARTS LIST .....	39
KICKER ASSEMBLY MULTI-BALL - ILLUSTRATION .....	40
KICKER ASSEMBLY MULTI-BALL - ILLUSTRATION .....	41
DROP TARGET ASSEMBLY: 3 IN-LINE - ILLUSTRATION .....	42
DROP TARGET ASSEMBLY: 3 IN-LINE - PARTS LIST .....	43
FRONT DOOR ASSEMBLY - ILLUSTRATION .....	44
FRONT DOOR ASSEMBLY - PARTS LIST .....	45
TELEPORT DROP TARGET ASSEMBLY - ILLUSTRATION & PARTS LIST .....	48
TELEPORT DROP TARGET ASSEMBLY - EXPLODED VIEW .....	49
LAMP SOCKET - ILLUSTRATION & PARTS LIST .....	50
SPARE PARTS KIT ASSEMBLY - PARTS LIST .....	51
GAME PARTS IN SPARE PARTS KIT .....	52

**NOTE:** There are 4 balls provided with this game and they **MUST** be placed into the outhole or ball trough assembly, on the playfield, to start game play. THE GAME WILL NOT START WITHOUT THE BALLS IN PLACE.

DUNGEONS & DRAGONS EXTERNAL PARTS

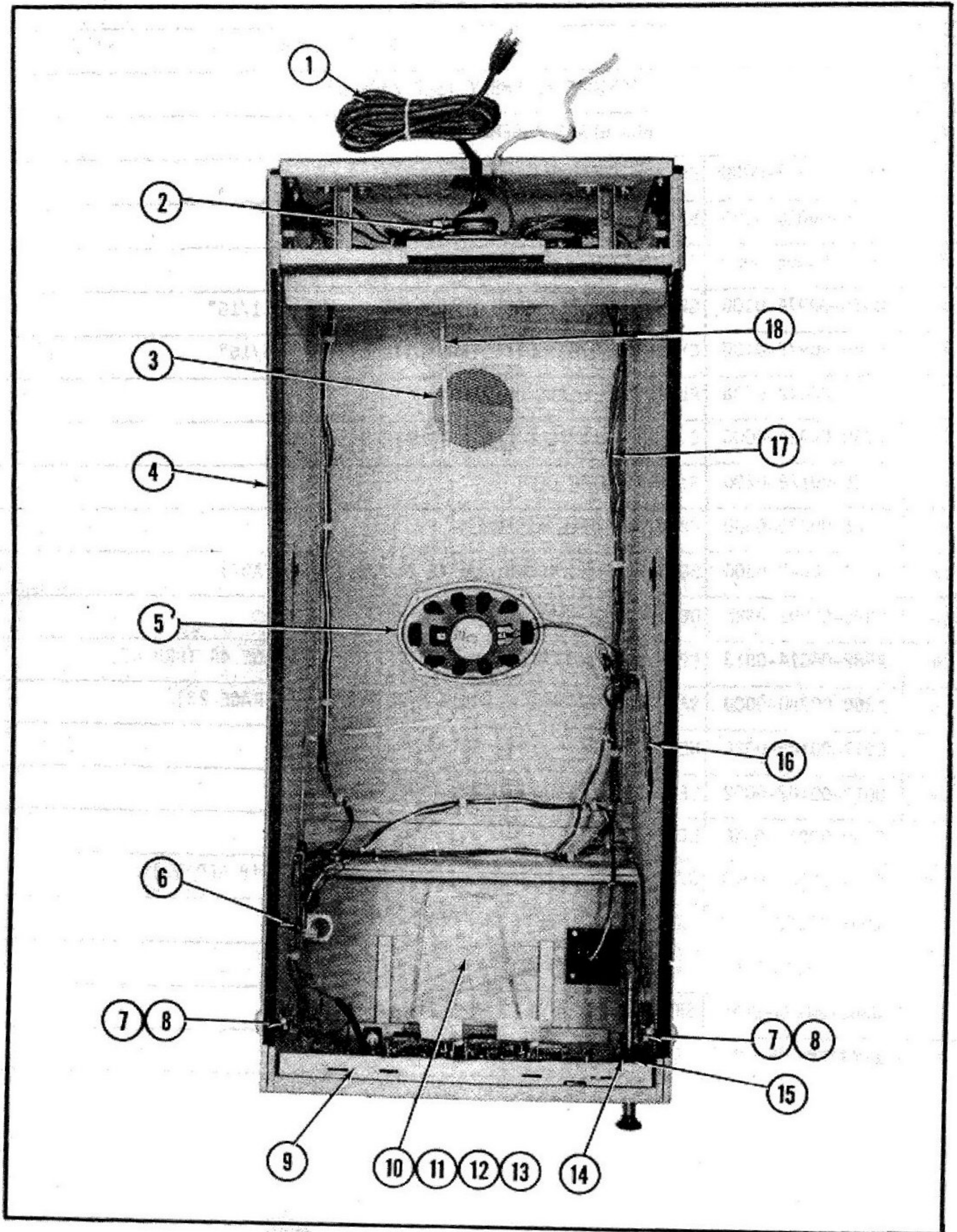


**DUNGEONS & DRAGONS EXTERNAL PARTS - PARTS LIST**

**ORDER BY PART NUMBER ONLY**

<b>ITEM</b>	<b>PART NO.</b>	<b>DESCRIPTION</b>
1	AH06-00008-0000	BACK CABINET ASSEMBLY (SEE PAGE 8)
2	AH06-00041-0000	TOP BOX GLASS ASSEMBLY
3	OH06-00919-0000	DECAL: TOP BOX
4	AH06-00010-0000	BACK GLASS ASSEMBLY
5	OH06-00904-0000	TRANSLITE
6	0365-00976-0100	GLASS-CHANNEL: EDGE TRANSLITE L = 23 - 11/16"
7	0365-00975-0100	CHANNEL: GLASS LIFT TRANSLITE L = 26 - 5/16"
8	0017-00042-0738	PLAYFIELD GLASS CHANNEL
9	0360-00921-0000	GLASS: PLAYFIELD CLEAR TEMPERED
10	0365-00128-0200	SIDE MOLDING LEFT
11	A365-00079-0000	FRONT MOLDING ASSEMBLY
12	0017-00042-0300	BUTTON: PUSH ROUND, WHITE (5 REQ'D.) (START)
13	0090-00002-04BK	DOOR FRAME: LARGE BLACK, DOUBLE
14	A982-00014-0013	COIN DOOR W/CABLE U.S.A. BLK-PIN (SEE PAGE 44 THRU 47)
15	A360-00280-0000	BALL SHOOTER ROD & SPRING ASSEMBLY (SEE PAGE 23)
16*	0017-00103-0026	HEX NUT 3/8 - 16 (4 REQ'D.)
17*	0017-00102-0082	LEG ADJUSTER (4 REQ'D.)
18	0360-00937-00XF	LEG: PAINTED (4 REQ'D.)
19*	0017-00102-0063	3/8 - 16 x 3/8" UNSLOTTED HEX HEAD BOLT (8 REQ'D.)
20	AH06-00500-0000	CABINET ASSEMBLY: DUNGEONS & DRAGONS
21	0365-00128-0100	SIDE MOLDING RIGHT
22	0365-00188-00XF	SPEAKER BEZEL
*	<b>LOCATED IN SPARE PARTS KIT ASSEMBLY</b>	

# DUNGEONS & DRAGONS INTERNAL PARTS



**DUNGEONS & DRAGONS INTERNAL PARTS - PARTS LIST**

ORDER BY PART NUMBER ONLY

ITEM	PART NO.	DESCRIPTION
1	A365-00043-0000 0017-00003-0114 0017-00003-0475 0017-00003-0500 115E-00001-0001	LINE CORD, FILTER, VARISTOR & CONV. OUTLET(INCLUDES NEXT 4 ITEMS) FILTER: LINE 5A 115V OUTLET CONVIENCE LINE CORD 3-CONDUCTOR 18AWG VARISTOR: METAL-OXIDE 130V
2	0017-00003-0570	SPEAKER: 4-OHM 15 WATT 5-1/4" DIA.
3	0017-00009-0490	GRILLE: VENT 5-5/8" SQUARE
4	AH06-00500-0000 0360-00953-00XF OH06-00500-0000	CABINET ASSEMBLY: DUNGEONS & DRAGONS TEENUT: DOUBLE (4 REQ'D.) CABINET: DUNGEONS & DRAGONS
5	0017-00003-0513	SPEAKER: 8-OHM 10 WATT 6 x 9
6	A360-00264-0000 A360-00054-0000 0360-00199-00XF 0360-00168-0000 0360-00170-0000 0360-00312-0000 0360-00502-0000 0360-00922-00XF	TILT BOARD ASSEMBLY (INCLUDES THE FOLLOWING 7 ITEMS) SWITCH ASSEMBLY BRACKET: BALL TILT BRACKET: TILT CONTACT TILT HANGER BRACKET: OUTLET TILT BOARD (WOOD) WIRE-FORM: PLUMB BOB
7	A365-00316-0100	SWITCH ASSEMBLY (2 REQ'D.)
8	0360-00071-0000	SWITCH ASSEMBLY (2 REQ'D.)
9	A365-00334-0000	FRONT RAIL ASSEMBLY
10	0950-00903-0000	COIN BOX (PLASTIC) (NOT SHOWN)
11	0950-00116-00XF	HANDLE (PLASTIC): COIN BOX (NOT SHOWN)

DUNGEONS & DRAGONS INTERNAL PARTS - PARTS LIST CONT'D.

ORDER BY PART NUMBER ONLY

ITEM	PART NO.	DESCRIPTION
12	0950-00114-0000	COVER (PLASTIC): COIN BOX (NOT SHOWN)
13	0950-00902-00XF	BRACKET (PLASTIC): LOCATING COIN BOX (NOT SHOWN)
14	0967-00115-00XF	PLATE: BALL SHOOTER
15	0017-00007-0019	KEY HOOK: PIN DOOR (NOT SHOWN)
16	A365-00074-0000	KEYPAD ASSEMBLY
17	AH01-00031-0000	HIGH VOLTAGE CABLE ASSEMBLY
18	0017-00009-0589	GROUND STRAP: L= 23" LONG



# BACK BOX SAFETY WARNING

\*\*\*\*\*  
\* W A R N I N G \*  
\*\*\*\*\*

TO AVOID INJURY TO OWNER/SERVICE PERSONNEL  
AND TO PREVENT DAMAGE TO THE MACHINE, THE  
BACK BOX **MUST** BE SECURED WITH THE BOLTS  
PROVIDED BEFORE THE MACHINE IS TRANSPORTED  
OR ACTIVATED.

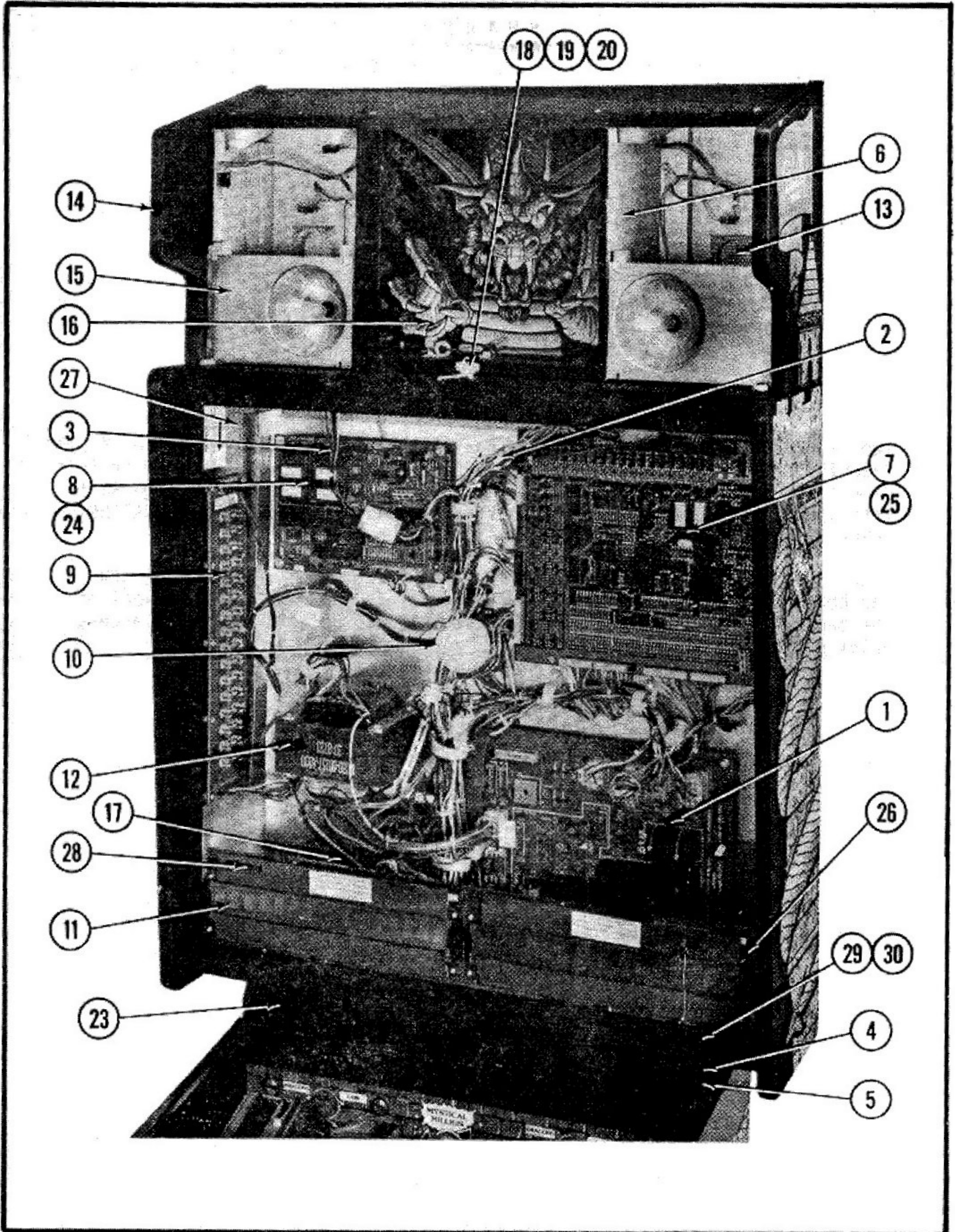
**M051-00365-A063**

## OPTIONAL BACKBOX MODIFICATION NOTICE

Two (2) BACKBOX ACCESS HOLE COVERS, part #OH06-00138-0000, and six (6) X 3/8" PHILLIPS ROUND-HEAD WOOD SCREWS, part #0017-00101-0398, are provided in this Game's SPARE PARTS KIT ASSEMBLY, part #AH06-0032-0000. Refer to page 52 in this manual and refer also to page IV in the DUNGEONS & DRAGONS OPERATING MANUAL, part #OH06-00300-0100.

When the GAME'S TOP BOX is removed from the Backbox for any reason, each Backbox Access Hole Cover must be secured to each hole in the top panel of the Backbox by using three (3) wood screws. Make certain that both access holes are completely covered.

BACK CABINET ASSEMBLY  
PART NO. AH06-00008-0000



**BACK CABINET ASSEMBLY - PARTS LIST**  
**PART NO. AH06-00008-0000**

ORDER BY PART NUMBER ONLY

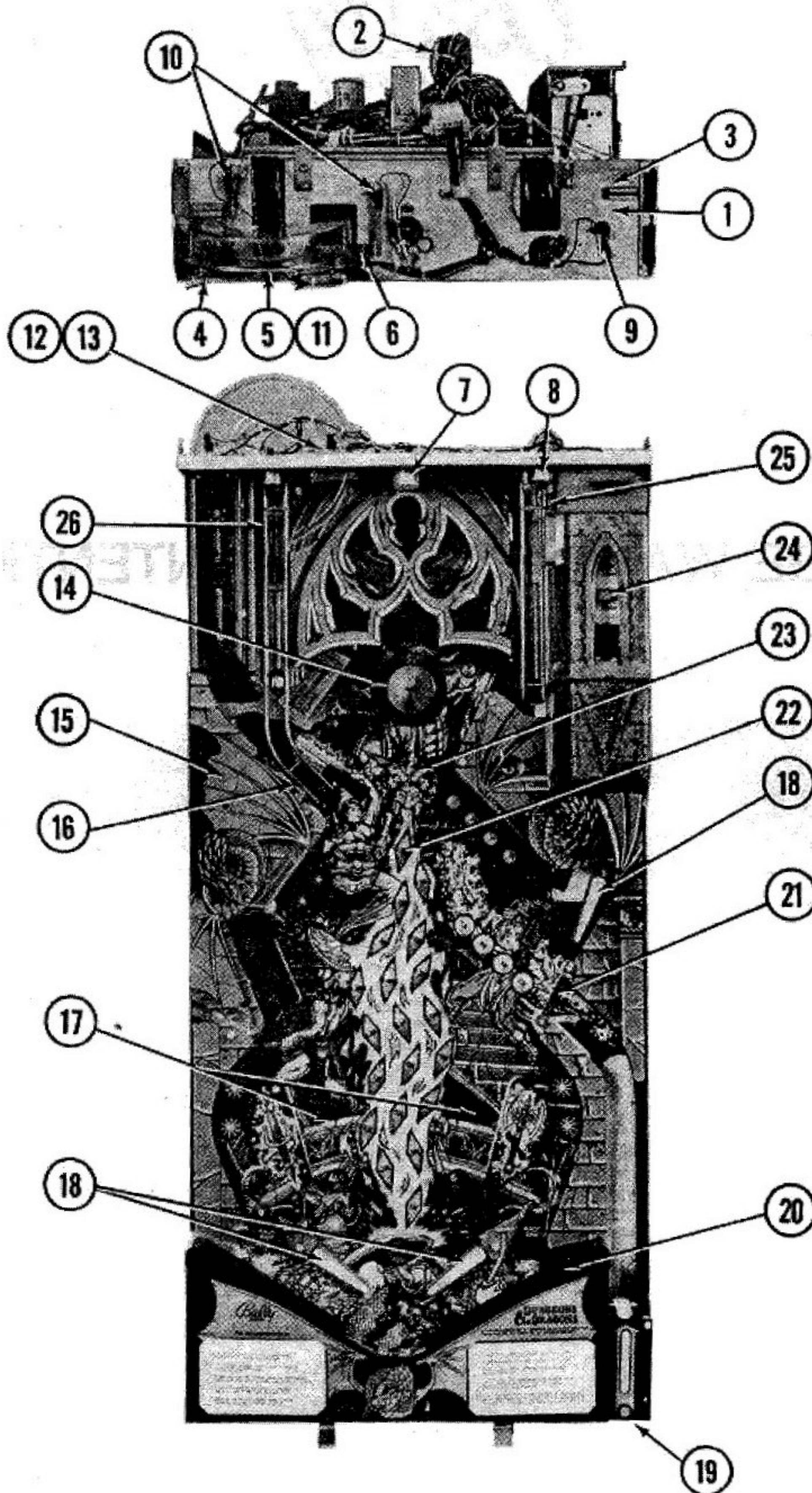
ITEM	PART NO.	DESCRIPTION
1	AH06-00013-0000 A084-91785-AH06 0017-00003-0551 0365-00952-0000	POWER MODULE & SPACER ASSEMBLY (INCLUDES FOLLOWING 3 ITEMS) 6803 POWER MODULE W/FUSES FUSE: ABC 3AG 6A 250V FAST-BLOW SHIELD: POWER SUPPLY
2	AH06-00030-0000	DISPLAY & CONTROLLER CABLE ASSEMBLY
3	AH06-00031-0000	TOP-LIGHTS JUMPER CABLE ASSEMBLY
4	A365-00383-00XF	PIVOT - BRACKET ASSEMBLY
5	A365-00384-00XF	PIVOT - POST & BRACKET ASSEMBLY
6	AH06-00041-0000 OH06-00916-0000 0365-00976-0200 0365-00976-0300	TOP-BOX GLASS ASSEMBLY (INCLUDES THE FOLLOWING 3 ITEMS) TRANSLITE: TOP BOX CHANNEL: EDGE TRANSLITE: 26-3/16" (2 REQ'D.) CHANNEL: EDGE TRANSLITE: 9-3/4" (2 REQ'D.)
7	A084-91786-AH06	PROGRAMMED 6803 CONTROL BOARD ASSEMBLY
8	A084-91864-AH06	PROGRAMMED SOUNDS DELUXE BOARD ASSEMBLY
9	A084-91901-AH06 0017-00003-0638	BRITE-LITE BOARD W/FUSES ASSEMBLY FUSE: MDL 3/4A 250V SLOW-BLOW (16 REQ'D.)
10	A365-00309-0000 0017-00003-0615	SOCKET W/CONNECTOR & PINS ASSEMBLY LAMP: 34 WATT MISER
11	A365-00317-0000	DUAL DISPLAY BOARD W/CLIPS ASSEMBLY (2 REQ'D.)
12	MT00-00157-A000	TRANSFORMER: POWER
13	OH06-00132-00XF	GRILLE: VENT (2 REQ'D.)
14	OH06-00507-0000	BACK BOX: DUNGEONS & DRAGONS
15	OH06-00917-0000	REFLECTOR: PARABOLA 4" DIA. (2 REQ'D.)
16	OH06-00919-0000	DECAL: TOP BOX
17	0017-00003-0007	FUSE: MDA 3AG 3A 250V SLOW-BLOW

BACK CABINET ASSEMBLY - PARTS LIST CONT'D.  
 PART NO. AH06-00008-0000

ORDER BY PART NUMBER ONLY

ITEM	PART NO.	DESCRIPTION
18	0017-00005-0042	CAM: BACK DOOR LOCK
19	0017-00005-0050	KEYS: 750 SERIES DOOR LOCK W/2 INDIVIDUAL
20	0017-00005-0209	PLATE: LOCK
21	0017-00042-0311	SPACER: DUAL LOCK P.C. BOARD 3/16" (4 REQ'D.)(NOT SHOWN)
22	0017-00042-0663	SPACER: DUAL LOCK P.C. BOARD 3/8" (8 REQ'D.)(NOT SHOWN)
23	0365-00104-00XF	GRILLE: VENT
24	0365-00142-0000	BRACKET: P.C. BOARD MOUNTING (4 REQ'D.)
25	0365-00153-0000	BRACKET: P.C. BOARD SUPPORT (4 REQ'D.)
26	0365-00219-0000	BRACKET: DISPLAY BOARD MOUNTING
27	0365-00963-0001	FOIL: BACK BOX: FLUORESCENT
28	0365-00967-0000	SHIELD: DISPLAY P.C. BOARD (4 REQ'D.)
29	0365-00993-0000	RETAINER: GLASS
30	0574-00903-0900	RETAINER: HEADER L= 26-3/8"

TOP PLAYFIELD W/PLASTICS  
PART NO. AH06-00004-0000



**TOP PLAYFIELD W/PLASTICS - PARTS LIST**  
**PART NO. AH06-00004-0000**

ORDER BY PART NUMBER ONLY

ITEM	PART NO.	DESCRIPTION
1	AH06-00009-0000	BACKBOARD ASSEMBLY (INCLUDES ITEMS 2 THRU 11)
2	AH06-00017-0000	BACKBOARD CABLE ASSEMBLY
3	AH06-00502-00XF	BACKBOARD W/INSERTS
4	AH06-00033-0000 OH06-00915-0000	SWITCH & BRACKET ENTRANCE ASSEMBLY WIRE: BACKBOARD ENTRANCE ACTUATOR
5	AH06-00028-0000	PLATE-TO-CIRCLE RAMP ASSEMBLY
6	AH06-00021-0000	WIRE-TO-MOUNTING BRACKET ASSEMBLY
7	0017-00042-0745	LIGHT-DOME: PLASTIC; CLEAR
8	0017-00042-0742	LIGHT-DOME: PLASTIC; BLUE (2 REQ'D.)
9		SEE LAMP SOCKET ASSEMBLIES PAGE 50
10	A020-00095-0101	SWITCH ASSEMBLY: ROLLOVER W/DIODE (2 REQ'D.)
11	OH06-00117-0000	BRACKET: CIRCLE RAMP MOUNTING
12	OH06-00105-0000	BRACKET: CIRCLE RAMP MOUNTING
13	OH06-00909-0000	WIRE: CIRCLE RAMP EXIT
14	0017-00042-0520	CAP: THUMPER BUMPER; AMBER
15	AH06-00011-00XF	SCREENED PLASTICS
16	AH06-00025-0000 0365-00168-0000 0360-00132-0000	GATE BRACKET W/WIRE FORM ASSEMBLY (INCLUDES THE NEXT 2 ITEMS) WIRE-FORM: SCORING GATE BRACKET: GATE

TOP PLAYFIELD W/PLASTICS -PARTS LIST CONT'D.  
 PART NO. AH06-00004-0000

ORDER BY PART NUMBER ONLY

ITEM	PART NO.	DESCRIPTION
17	0017-00091-0071	MYLAR: SHIELD; SLINGSHOT (2 REQ'D.)
18	0365-00984-0300	FLIPPER W/SHAFT; MOLDED (YELLOW) (3 REQ'D.)
19	0H06-00100-00XF	SHOOTER GAUGE
20	0370-00918-0100	EXTENSION: BOTTOM ARCH
21	AA40-00034-0000 0A40-00909-0000 0370-00116-0000	GATE BRACKET & WIRE FORM ASSEMBLY (INCLUDES THE NEXT 2 ITEMS) WIRE-FORM: GATE BRACKET BRACKET: GATE
22		SEE LAMP SOCKETS ASSEMBLIES ON PAGE 50
23	0H06-00903-0001	MYLAR: PLAYFIELD
24	AH06-00024-0000	TOP PLATFORM ASSEMBLY
25	0H06-00910-00XF	WIRE-FORM RAMP UNIT: RIGHT
26	0H06-00911-00XF	WIRE-FORM RAMP UNIT: LEFT

*Bally*  
**MIDWAY**

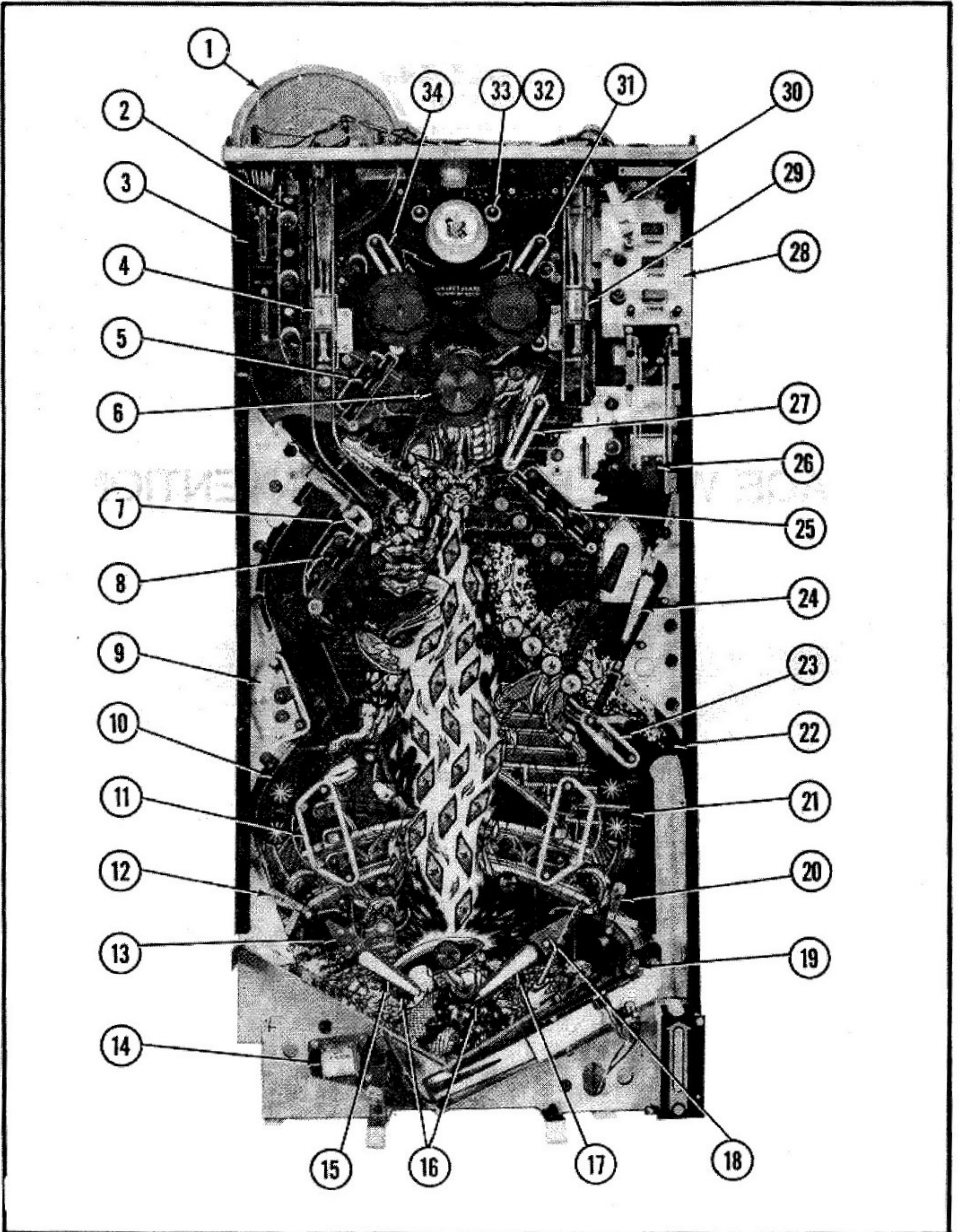
10601 W. Belmont Avenue  
Franklin Park, Illinois 60131  
U.S.A.

Phone: (312) 451-9200 Fax No.: 312-451-4150  
Cable Address: MIDCO Telex No.: 72-1596

**THIS PAGE WAS LEFT BLANK INTENTIONALLY**



TOP PLAYFIELD W/O PLASTICS  
PART NO. AH06-00004-0000



**TOP PLAYFIELD W/O PLASTICS - PARTS LIST**  
**PART NO. AH06-00004-0000**

ORDER BY PART NUMBER ONLY

ITEM	PART NO.	DESCRIPTION
1	AH06-00028-0000	PLATE-TO-CIRCLE RAMP ASSEMBLY
2	OH06-00134-0000	PLATE: LEFT RAMP ENTRANCE
3	AH06-00048-0000	LEFT RAMP ENTRANCE ASSEMBLY
4	AH06-00045-0000	* KNOCKER ASSEMBLY: LEFT (SEE PAGE 22)
5	A365-R0307-F011 A967-00076-0100	TARGET W/SWITCH, BRACKET & DIODE: RED; LUG-RIGHT SWITCH ASSEMBLY: TARGET; LUG-RIGHT
6	0017-00042-0566	COLLAR: THUMPER BUMPER, RED
7	0017-00041-0642	BUMPER: I.D. = 3/4" RUBBER
8	A365-R0307-F012 A967-00076-0100	TARGET W/SWITCH, BRACKET & DIODE: BLUE; LUG-RIGHT SWITCH ASSEMBLY: TARGET; LUG-LEFT (3 REQ'D.)
9	0017-00041-0646	BUMPER: I.D. = 2-1/2" RUBBER (3 REQ'D.)
10	AH06-00019-0200	SIDE DRAIN ASSEMBLY: LEFT
11	0017-00041-0646	BUMPER I.D. = 2-1/2" RUBBER (3 REQ'D.)
12	A365-00321-0200	SHAFT W/ARM & STUD ASSEMBLY: LEFT
13	AH06-00044-0200	GUIDE PLATE ASSEMBLY: LEFT
14	A360-00234-0000	TOP MOUNTED KICKER ASSEMBLY (SEE PAGE 24)
15	0017-00041-0682	FLIPPER RUBBER: RED 3"
16	0360-00175-5300	WIRE-FORM: BALL GUIDE (2 REQ'D.)
17	0017-00041-0682	FLIPPER RUBBER; RED 3"
18	AH06-00044-0100	GUIDE PLATE ASSEMBLY: RIGHT
19	AH01-00028-00XF	MULTI-BALL KICKER ASSEMBLY
20	A365-00321-0100	SHAFT W/ARM & STUD ASSEMBLY: RIGHT

\* = PARTS ARE IDENTICAL TO A360-00235-0000 KNOCKER ASSEMBLY EXCEPT THIS ASSEMBLY USES KICKER FRAME # OA40-00104-00XF.

TOP PLAYFIELD W/O PLASTICS - PARTS LIST CONT'D.  
 PART NO. AH06-00004-0000

ORDER BY PART NUMBER ONLY

ITEM	PART NO.	DESCRIPTION
21	AH06-00019-0100	SIDE DRAIN ASSEMBLY: RIGHT
22	AH06-00018-0000	SHOOTER LANE
23	0017-00041-0644	BUMPER: I.D. = 1-1/2" RUBBER (2 REQ'D.)
24	0017-00041-0682	FLIPPER RUBBER: RED 3"
25	A653-R0306-F013 A967-00076-0100	TARGET W/SWITCH, BRACKET & DIODE; YELLOW LUG-RIGHT SWITCH ASSEMBLY: TARGET; LUG-LEFT (4 REQ'D.)
26	AH06-00023-0000 OH06-00110-0000	PLATES TO STRAIGHT RAMP ASSEMBLY PLATE: RAMP EXIT
27	0017-00041-0644	BUMPER: I.D. = 1-1/2" RUBBER (2 REQ'D.)
28	AH06-00024-0000	TOP PLATFORM ASSEMBLY
29	A360-00235-0000	KNOCKER ASSEMBLY
30	AH06-00025-0000 0360-00132-0000 0365-00168-0000	GATE BRACKET W/WIRE FORM ASSEMBLY (INCLUDES THE NEXT 2 ITEMS) BRACKET: GATE WIRE FORM: SCORING GATE
31	0017-00041-0643	BUMPER: I.D. = 1" RUBBER (2 REQ'D.)
32	0017-00041-0637	BUMPER: WHITE RUBBER (5 REQ'D.)
33	0017-00042-0586	POST: L= 1" BLUE (6 REQ'D.)
34	0017-00041-0643	BUMPER: I.D. = 1" RUBBER (2 REQ'D.)

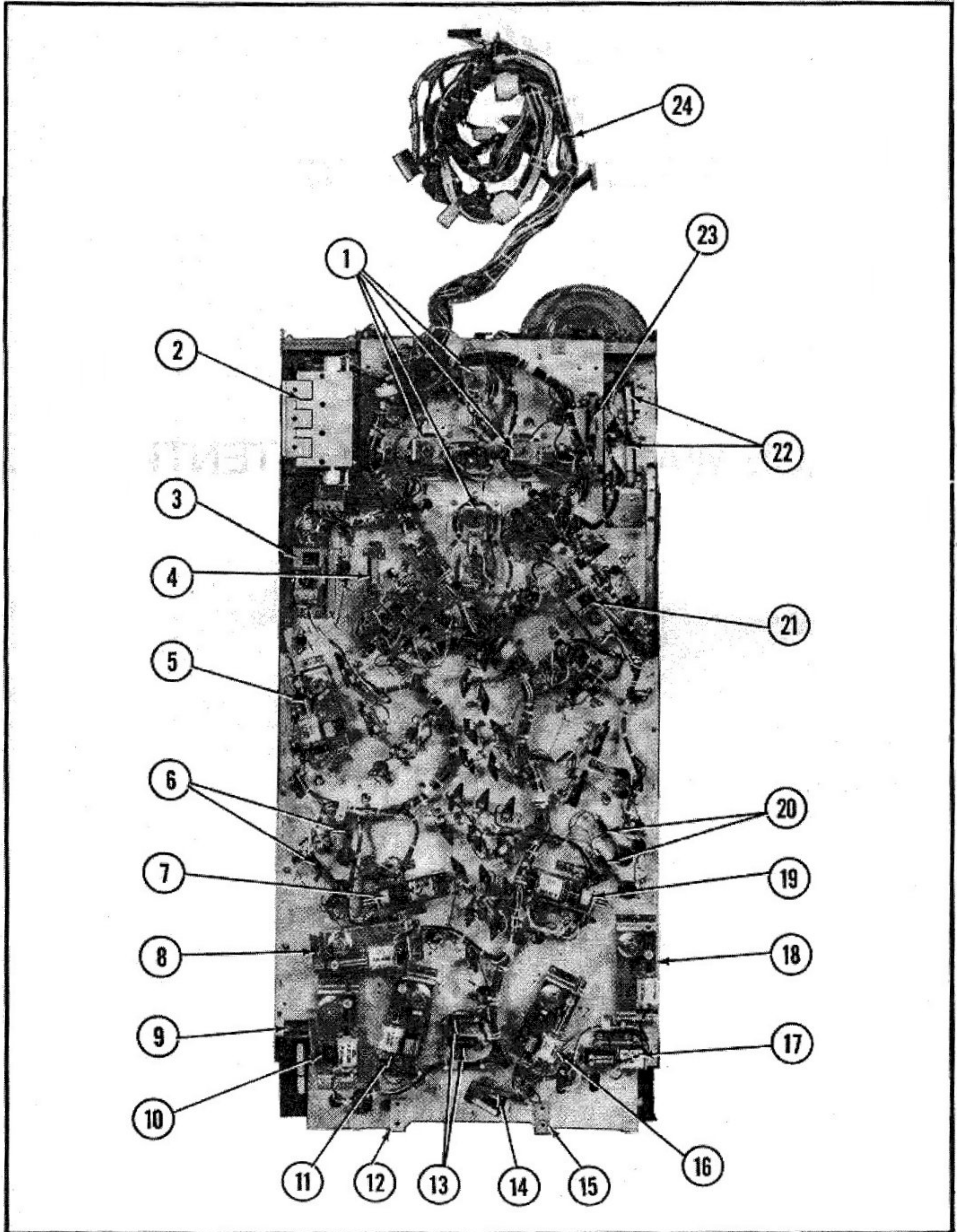
*Bally*  
**MIDWAY**

10601 W. Belmont Avenue  
Franklin Park, Illinois 60131  
U.S.A.

Phone: (312) 451-9200 Fax No.: 312-451-4150  
Cable Address: MIDCO Telex No.: 72-1596

**THIS PAGE WAS LEFT BLANK INTENTIONALLY**

BOTTOM PLAYFIELD ASSEMBLY  
PART NO. AH06-00004-0000



**BOTTOM PLAYFIELD ASSEMBLY - PARTS LIST**  
**PART NO. AH06-00004-0000**  
**ORDER BY PART NUMBER ONLY**

ITEM	PART NO.	DESCRIPTION
1	A967-00053-0100	THUMPER BUMPER ASSEMBLY (4 REQ'D.) (SEE PAGE 26)
2	AH06-00042-0000	DROP TARGET ASSEMBLY 3 IN-LINE (SEE PAGE 42)
3	A365-00374-0100	TELEPORT DROP TARGET ASSEMBLY (SEE PAGE 48)
4	A331-00042-0000 0360-00135-0000 0360-00929-0200	BRACKET W/WIRE FORM ASSEMBLY.: ROLLOVER LEFT (3 REQ'D.) BRACKET: ROLLOVER - WIRE, LEFT WIRE FORM: ROLLOVER, LEFT
5	AC70-00023-0100	FLIPPER ASSEMBLY DOUBLE SWITCH RIGHT (SEE PAGE 34)
6	A020-00095-0211 A020-00095-0200	SWITCH ASSEMBLY: ROLLOVER W/DIODE & CAP (2 REQ'D.) SWITCH ASSEMBLY: ROLLOVER
7	A967-00059-0000	SLINGSHOT KICKER ASSEMBLY (SEE PAGE 28)
8	AE94-00041-0000	BALL SAVER ASSEMBLY: RIGHT (SEE PAGE 38)
9	OB42-00100-00XF	BALL CONTROL PLATE
10	AH01-00027-0000	KICKER ASSEMBLY: MULTI-BALL (SEE PAGE 40)
11	AC70-00022-0100	FLIPPER ASSEMBLY SINGLE SWITCH RIGHT (SEE PAGE 32)
12	OB42-00102-00XF	BRACKET: BOTTOM ARCH (2 REQ'D.)
13	0017-00003-0103	FUSE: MDL 3AG 1A 250V SLOW-BLOW (2 REQ'D.)
14	A365-00034-0000 A360-00055-0000	SWITCH, DIODE & PLATE ASSEMBLY SWITCH ASSEMBLY
15	OB42-00102-00XF	BRACKET: BOTTOM ARCH (2 REQ'D.)
16	AC70-00022-0200	FLIPPER ASSEMBLY SINGLE SWITCH LEFT (SEE PAGE 30)
17	A360-00235-0000	KNOCKER ASSEMBLY (SEE PAGE 22)
18	AE94-00040-0000	BALL SAVER ASSEMBLY: LEFT (SEE PAGE 36)
19	A967-00059-0000	SLINGSHOT KICKER ASSEMBLY (SEE PAGE 28)

**BOTTOM PLAYFIELD ASSEMBLY - PARTS LIST CONT'D.  
 PART NO. AH06-00004-0000  
 ORDER BY PART NUMBER ONLY**

ITEM	PART NO.	DESCRIPTION
20	A020-00095-0211 A020-00095-0200	SWITCH ASSEMBLY: ROLLOVER W/DIODE & CAP (2 REQ'D.) SWITCH ASSEMBLY: ROLLOVER
21	A365-00374-0100	TELEPORT DROP TARGET (SEE PAGE 48)
22	A331-00042-0000 0360-00135-0000 0360-00929-0200	BRACKET W/WIRE FORM ASSEMBLY: ROLLOVER LEFT BRACKET: ROLLOVER - WIRE LEFT WIRE FORM: ROLLOVER, LEFT
23	A360-00217-0000 0360-00135-0000 0360-00931-0000	BRACKET W/WIRE FORM ASSEMBLY: ROLLOVER LEFT BRACKET: ROLLOVER - WIRE LEFT WIRE FORM: ROLLOVER LEFT
24	AH06-00005-0000	PLAYFIELD SUPER CABLE ASSEMBLY

*Bally*  
**MIDWAY**

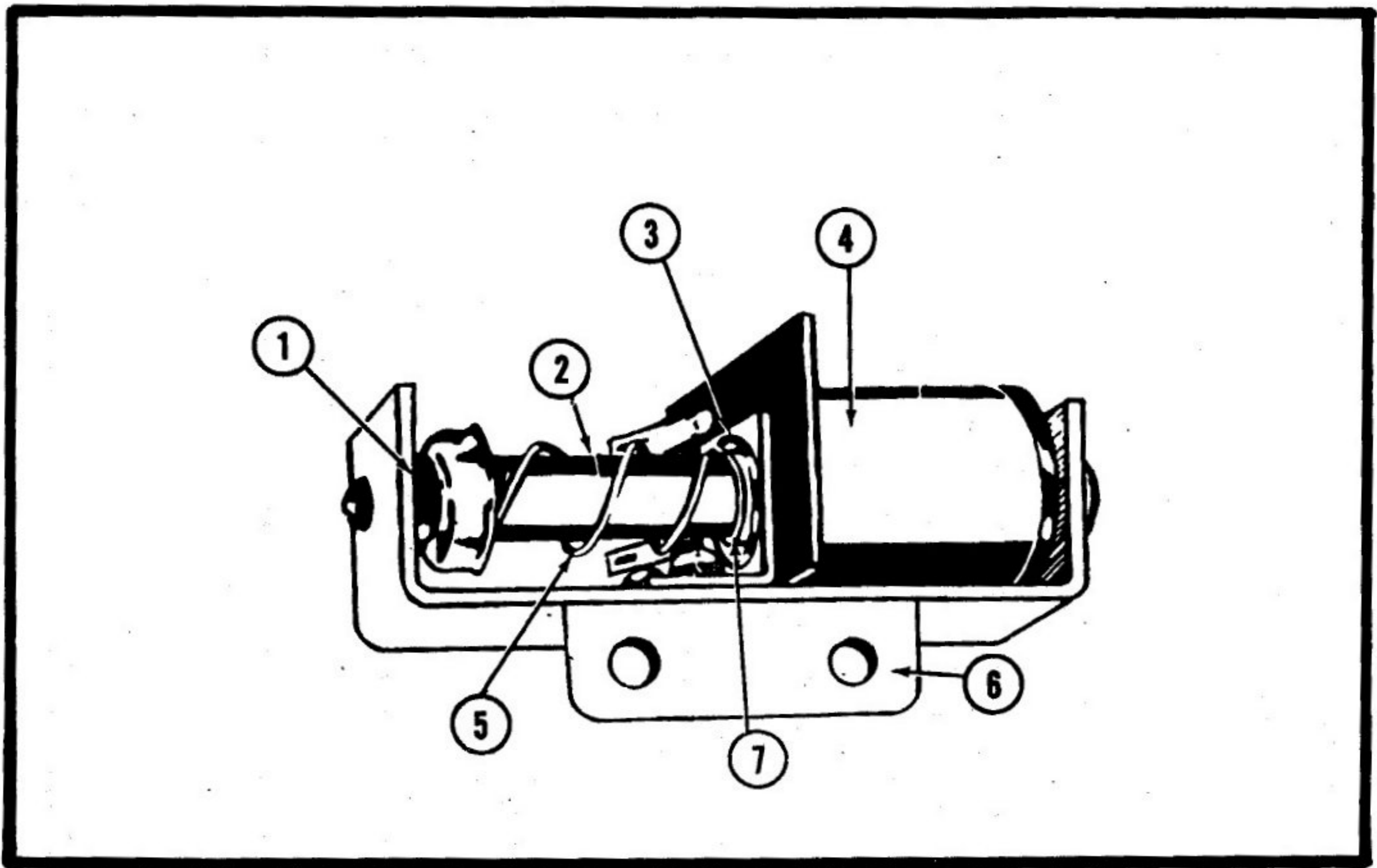
10601 W. Belmont Avenue  
Franklin Park, Illinois 60131  
U.S.A.

Phone: (312) 451-9200 Fax No.: 312-451-4150  
Cable Address: MIDCO Telex No.: 72-1596

**THIS PAGE WAS LEFT BLANK INTENTIONALLY**



**KNOCKER ASSEMBLY  
PART NO. A360-00235-0000**



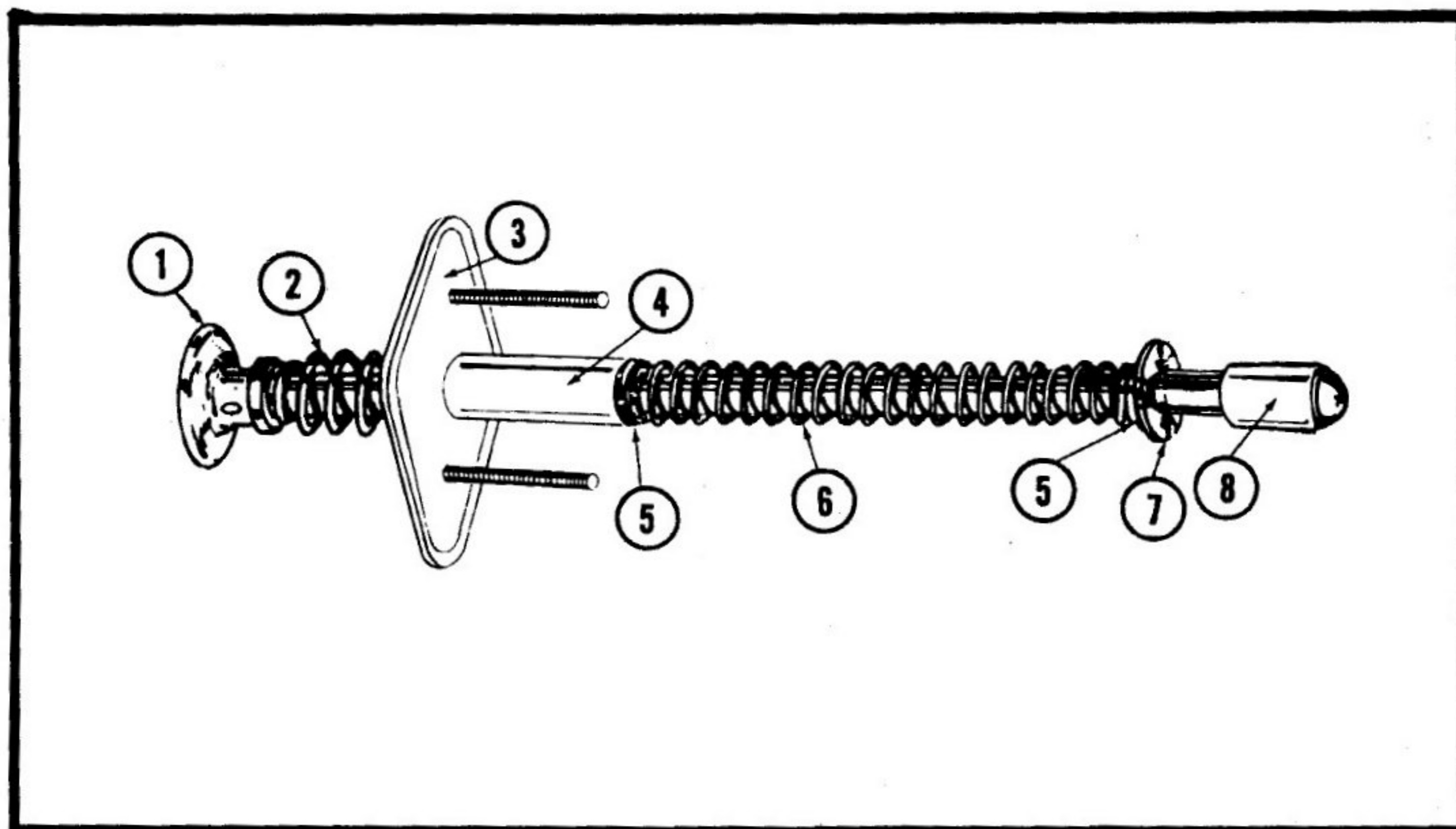
**KNOCKER ASSEMBLY - PARTS LIST  
PART NO. A360-00235-0000**

ORDER BY PART NUMBER ONLY

ITEM	PART NO.	DESCRIPTION
1	0017-00041-0635	BUMPER: PLUG RUBBER BLACK
2	A360-00011-00XF	PLUNGER & STRIKER ASSEMBLY
3	0360-00318-00XF	BRACKET & COIL
4	A360-00046-0000	COIL & TUBING ASSEMBLY 2 LUG
5	0010-00274-0175	SPRING: COMPRESSION
6	0360-00909-00XF	* FRAME: COIL
7	0017-00104-0073	SPRING WASHER .515" I.D., .875" O.D. & .013" TH. (NOT SHOWN)

\* FOR KNOCKER ASSEMBLY AH06-00045-0000 USE FRAME KICKER PART NO. 0A40-00104-00XF.

**BALL SHOOTER ROD & SPRING ASSEMBLY  
PART NO. A360-00280-0000**

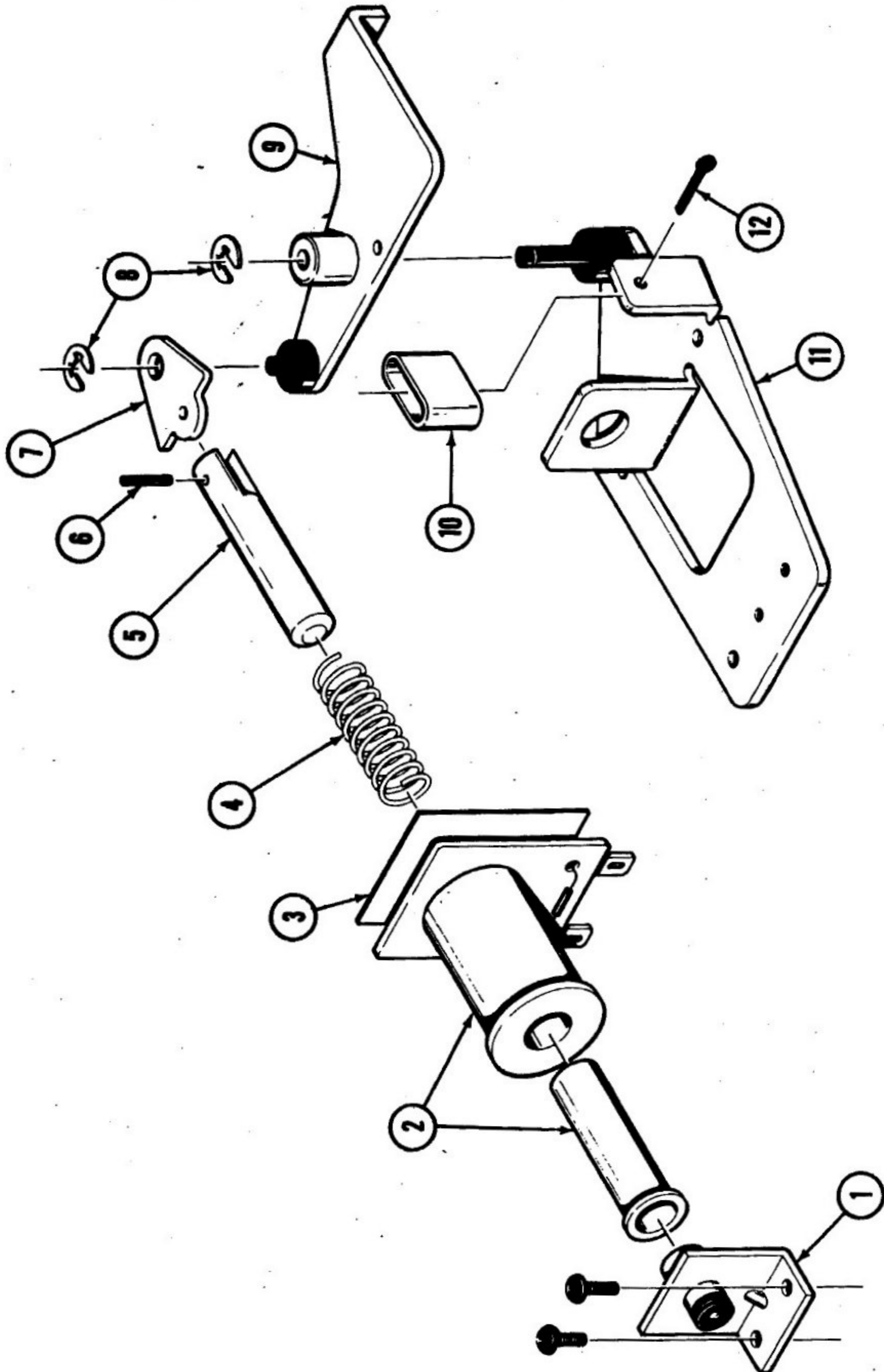


**BALL SHOOTER ROD & SPRING ASSEMBLY -- PARTS LIST  
PART NO. A360-00280-0000**

ORDER BY PART NUMBER ONLY

ITEM	PART NO.	DESCRIPTION
1	0017-00009-0610	BALL - SHOOTER ROD ASSEMBLY - MOLDED
2	0010-00271-0000	SPRING: COMPRESSION
3	A360-00040-00XF	SHOOTER GUIDE COVER WELD ASSEMBLY
4	0017-00042-0347	GUIDE: BALL SHOOTER
5	0017-00104-0076	FLAT WASHER: .395" I.D., .500" O.D. & .032" TH. (3 REQ'D.)
6	0010-00274-0136	SPRING: COMPRESSION
7	0017-00100-0037	E-RING .375" DIA.
8	0017-00041-0631	SHOOTER-TIP: ROUND, RUBBER

TOP MOUNTED KICKER ASSEMBLY  
PART NO. A360-00234-0000

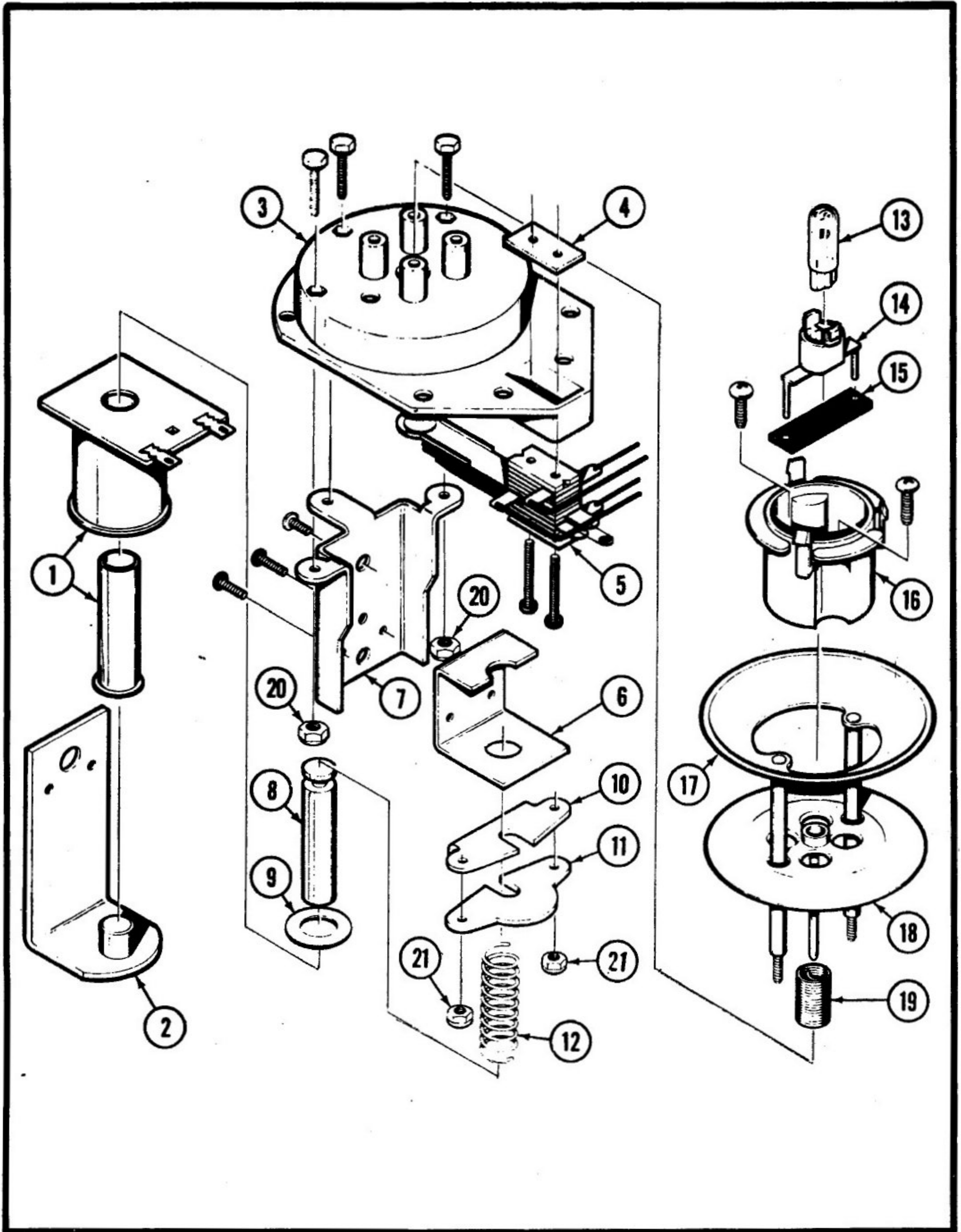


**TOP MOUNTED KICKER (BALL RETURN) ASSEMBLY - PARTS LIST**  
**PART NO. A360-00234-0000**

ORDER BY PART NUMBER ONLY

ITEM	PART NO.	DESCRIPTION
1	A365-00024-0000	CORE PLUG & BRACKET ASSEMBLY
2	A360-00044-0000	COIL & TUBING ASSEMBLY 2-LUG
	103E-00002-0015	1N4004GP 400V 1A DIODE
3	0360-00901-0000	FISHPAPER INSULATOR
4	0010-00274-0207	COMPRESSION SPRING
	A360-00278-0000	PLUNGER & LINK ASSEMBLY (ITEMS 5,6, & 7)
5	0360-00735-00XF	PLUNGER
6	0017-00007-0073	ROLL PIN
7	0360-00941-0000	KICKER LINK
8	0017-00100-0116	RING RETAINING .218" DIA. (2 REQ'D.)
9	A360-00036-0000	KICKER ARM ASSEMBLY (BALL RETURN)
10	0017-00042-0346	STRIKER RING
11	A360-00037-0000	BASE PLATE ASSEMBLY
12	0017-00007-0124	COTTER PIN

THUMPER BUMPER ASSEMBLY  
PART NO. A967-00053-0100

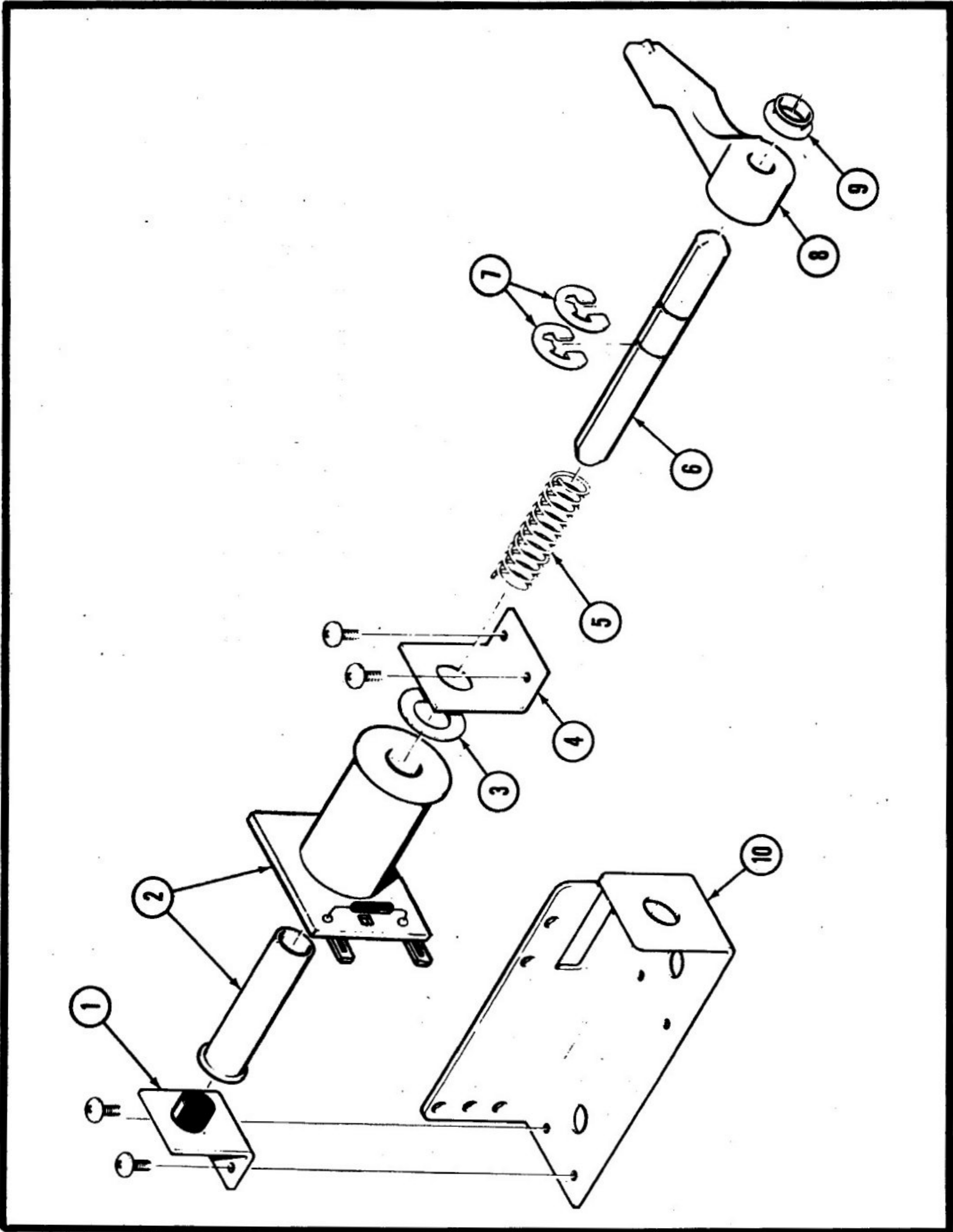


**THUMPER BUMPER ASSEMBLY - PARTS LIST**  
**PART NO. A967-00053-0100**

ORDER BY PART NUMBER ONLY

ITEM	PART NO.	DESCRIPTION
1	A360-00044-0000	COIL & TUBING ASSEMBLY 2-LUG
	103E-00002-0015	1N4004 GP 400V 1A DIODE (NOT SHOWN)
2	A967-00010-0000	CORE PLUG & BRACKET ASSEMBLY
3	0017-00042-0452	BASE: THUMPER BUMPER - WHITE
4	0020-00202-0000	SWITCH PLATE
5	A967-00074-0100	MAKE SWITCH ASSEMBLY - THUMPER BUMPER
6	0967-00117-00XF	BRACKET - THUMPER BUMPER PLUNGER
7	0967-00129-00XF	MOUNTING BRACKET: THUMPER BUMPER
8	0967-00705-00XF	PLUNGER
9	0017-00104-0073	SPRING WASHER: .515" I.D., .875" O.D. & .013" TH.
10	0967-00116-00XF	PLATE
11	0967-00904-0000	PLATE
12	0010-00274-0196	COMPRESSION SPRING
13	0017-00003-0501	LAMP, #555: WEDGE BASE
14	0017-00031-0060	SOCKET: LAMP (WEDGE BASE)
15	0090-00409-00XF	PLATE: SWITCH (3 REQ'D.)
16	0017-00042-0460	BODY: THUMPER BUMPER - WHITE
17	A967-00013-0000	FLANGE & STUD ASSEMBLY
18	0017-00042-0444	WAFER: THUMPER BUMPER - WHITE
19	0010-00274-0177	COMPRESSION SPRING
20	0017-00103-0041	NUT: 8-32 LOCKING (3 REQ'D.)
21	0017-00103-0052	NUT: 6-32 LOCKING (2 REQ'D.)

SLINGSHOT KICKER ASSEMBLY  
PART NO. A967-00059-0000



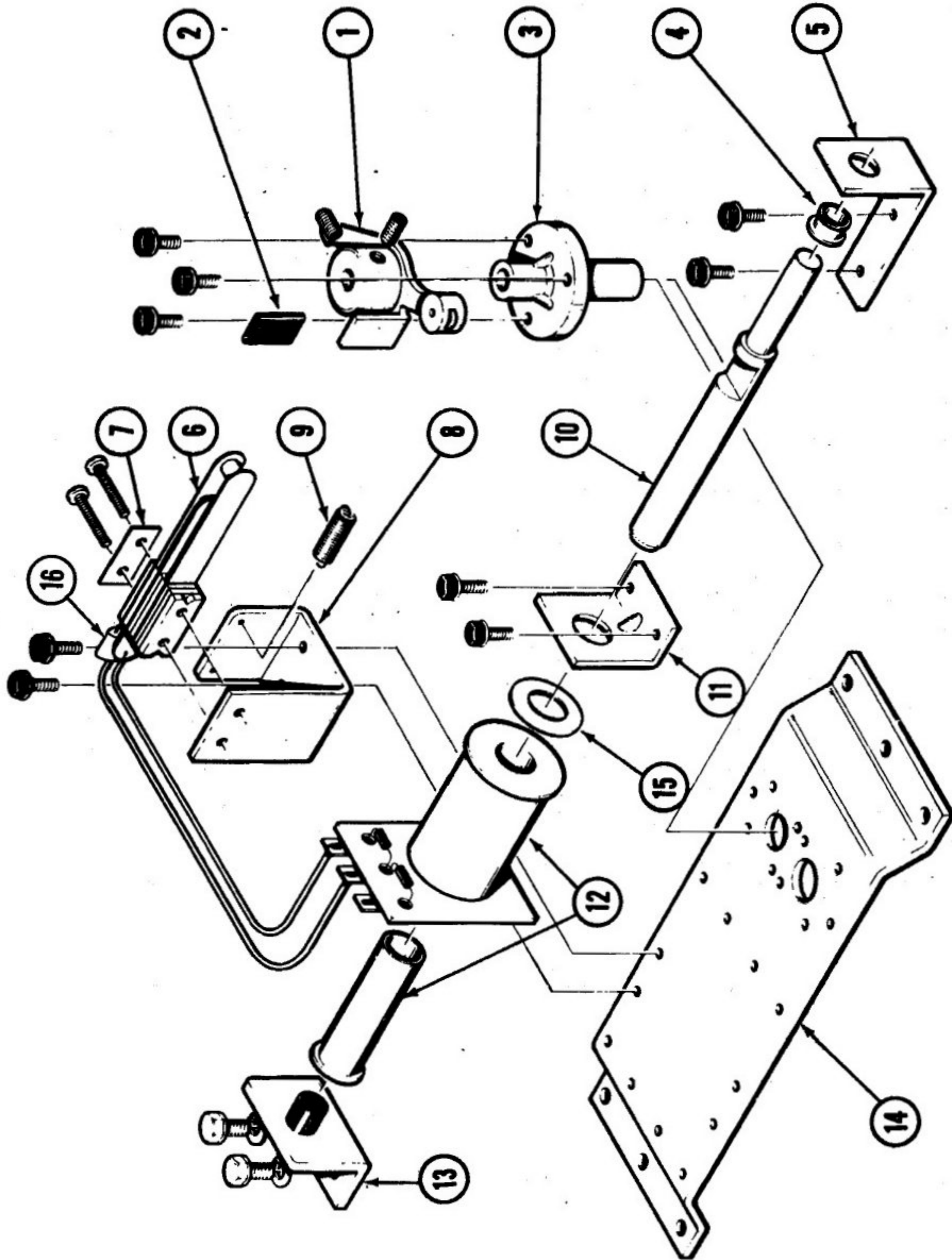
**SLINGSHOT KICKER ASSEMBLY- PARTS LIST**  
**PART NO. A967-00059-0000**

ORDER BY PART NUMBER ONLY

ITEM	PART NO.	DESCRIPTION
1	A967-00011-0000	CORE PLUG & BRACKET ASSEMBLY
2	A967-00046-0000	COIL & TUBING ASSEMBLY 2-LUG
	103E-00002-0015	1N4004GP 400V 1A DIODE
3	0017-00104-0073	SPRING WASHER .515" I.D. .875" O.D. & .013" TH.
4	0360-00318-00XF	COIL BRACKET
5	0010-00274-0212	COMPRESSION SPRING
6	0967-00701-00XF	PLUNGER
7	0017-00100-0115	RING: RETAINING .438" DIA. (2 REQ'D.)
8	0967-00901-0000	KICKER-ARM: SLINGSHOT
9	0017-00042-0430	NYLINER: SNAP-IN COIL
10	0967-00130-00XF	MOUNTING BRACKET: SLINGSHOT



FLIPPER ASSEMBLY SINGLE SWITCH LEFT  
PART NO. AC70-00022-0200

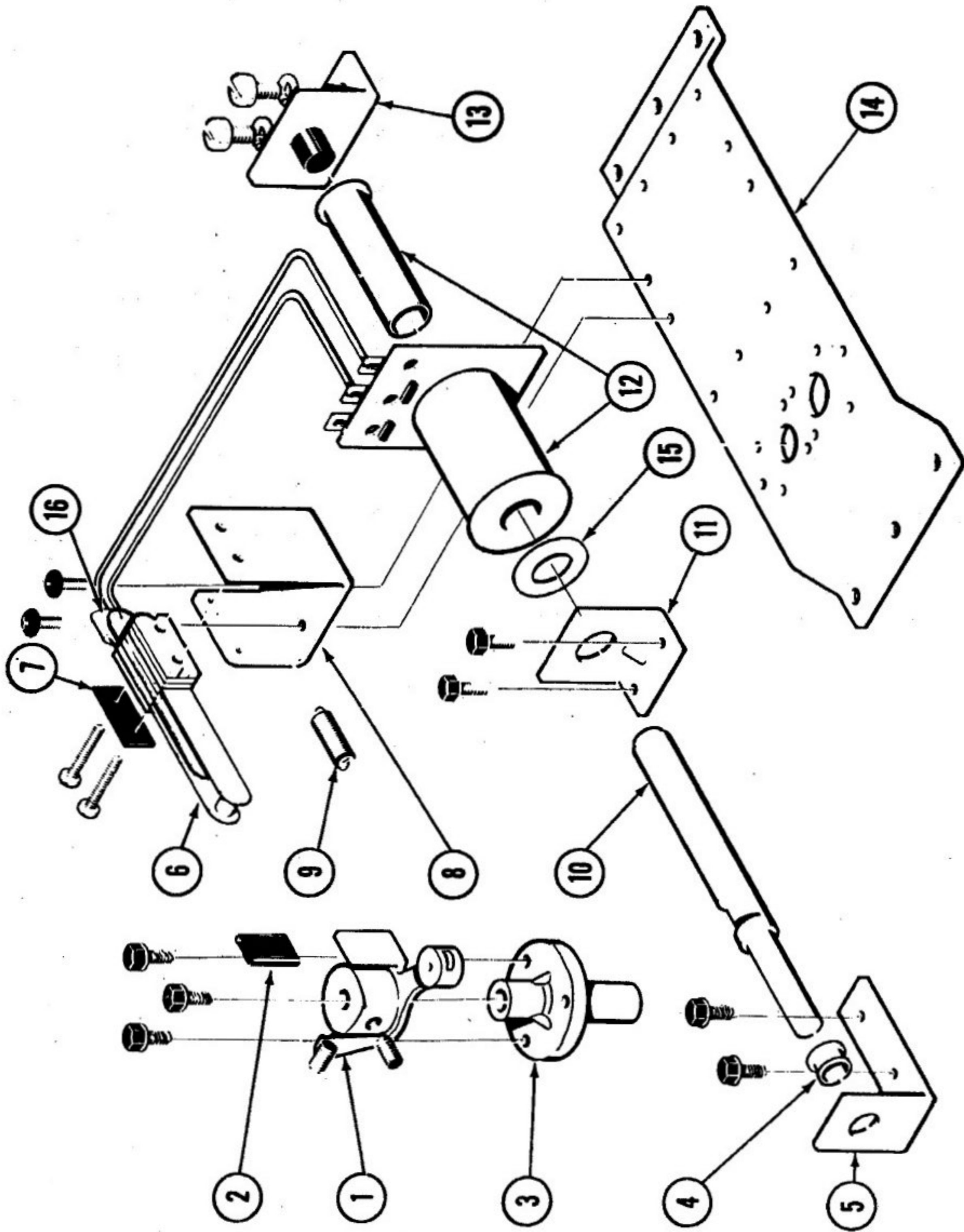


**FLIPPER ASSEMBLY - SINGLE SWITCH LEFT - PARTS LIST**  
**PART NO. AC70-00022-0200**

ORDER BY PART NUMBER ONLY

ITEM	PART NO.	DESCRIPTION
	A360-00038-0000	LEVER ARM, HUB, CAP & TUBING: LEFT (INCLUDES ITEMS 1 & 2)
1	A365-00001-0100	LEVER-ARM, HUB & CAP ASSEMBLY.: LEFT
2	0360-00945-0000	TUBING 5/16" X 1/2"
3	0017-00042-0413	FLIPPER BEARING
4	0017-00042-0418	NYLINER: SNAP-IN COIL
5	0360-00152-01XF	BRKT: LEFT FLIPPER STOP
	A365-00048-0000	SWITCH W/BRACKET & PLATE ASSEMBLY.: LEFT (INCLUDES ITEMS 6 & 7)
6	A365-00045-0000	FLIPPER BREAK SWITCH ASSEMBLY
7	0020-00202-0000	SWITCH PLATE
8	0360-00145-00XF	SWITCH BRACKET
9	0010-00275-0353	EXTENSION SPRING
10	0360-00718-00XF	PLUNGER
11	A360-00318-00XF	COIL BRACKET
12	AC70-00026-0000 103E-00002-0015	COIL & TUBING ASSEMBLY 3-LUG 1N4004 GP, 400V, 1 AMP DIODE (2 REQ'D.)
13	A365-00024-0000	CORE PLUG & BRACKET ASSEMBLY
14	0365-00101-00XF	FLIPPER MOUNTING BRACKET
15	0017-00104-0073	SPRING WASHER .515" I.D., .875" O.D. & .013" TH.
16	0171-097P6-AXPC	CAPACITOR: .01 MICROFARAD 500V CERAMIC DISC (NOT SHOWN)

FLIPPER ASSEMBLY SINGLE SWITCH RIGHT I  
PART NO. AC70-00022-0100

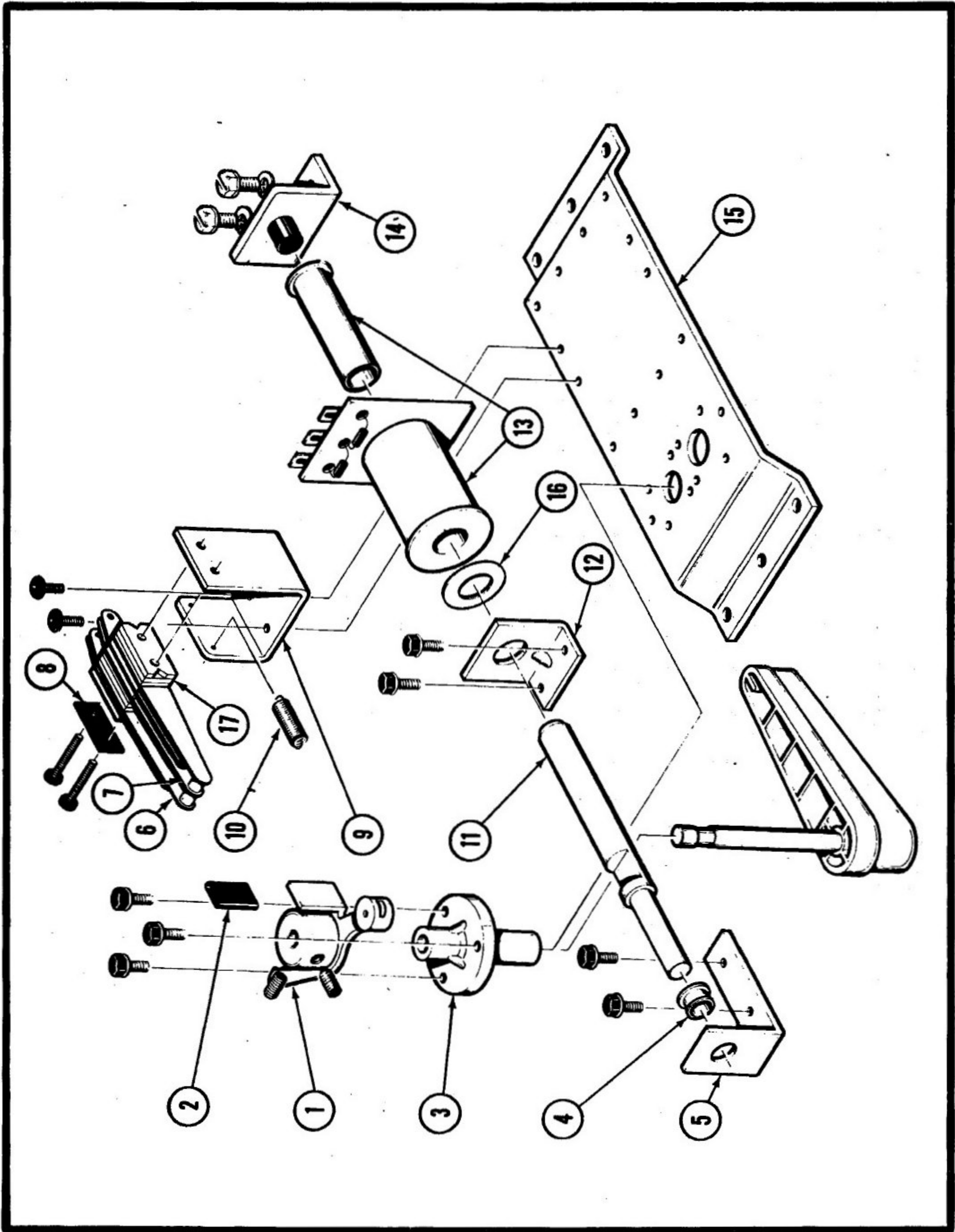


**FLIPPER ASSEMBLY - SINGLE SWITCH RIGHT - PARTS LIST**  
**PART NO. AC70-00022-0100**

ORDER BY PART NUMBER ONLY

ITEM	PART NO.	DESCRIPTION
	A360-00039-0000	LEVER ARM, HUB, CAP & TUBING: RIGHT (INCLUDES ITEMS 1 & 2)
1	A365-00001-0000	LEVER ARM, HUB & CAP ASSEMBLY: RIGHT
2	0360-00945-0000	TUBING 5/16" X 1/2"
3	0017-00042-0413	FLIPPER BEARING
4	0017-00042-0418	NYLINER: SNAP-IN COIL
5	0360-00152-02XF	BRKT: RIGHT FLIPPER STOP
	A365-00047-0000	SWITCH W/BACKET & PLATE ASSEMBLY: RIGHT (INCLUDES ITEMS 6 & 7)
6	A365-00045-0000	FLIPPER BREAK SWITCH ASSEMBLY
7	0020-00202-0000	SWITCH PLATE
8	0360-00145-00XF	SWITCH BRACKET
9	0010-00275-0353	EXTENSION SPRING
10	0360-00718-00XF	PLUNGER
11	0360-00318-00XF	COIL BRACKET
12	AC70-00026-0000 103E-00002-0015	COIL & TUBING ASSEMBLY 3-LUG DIODE, 1N4004 GP, 400V, 1 AMP (2 REQ'D.)
13	A365-00024-0000	CORE PLUG & BRACKET ASSEMBLY
14	0365-00101-00XF	FLIPPER MOUNTING BRACKET
15	0017-00104-0073	SPRING WASHER .515" I.D., .875" O.D. & .013" TH.
16	0171-097P6-AXPC	CAPACITOR: .01 MICROFARAD 500V CERAMIC DISC (NOT SHOWN)

FLIPPER ASSEMBLY DOUBLE SWITCH RIGHT  
PART NO. AC70-00023-0100

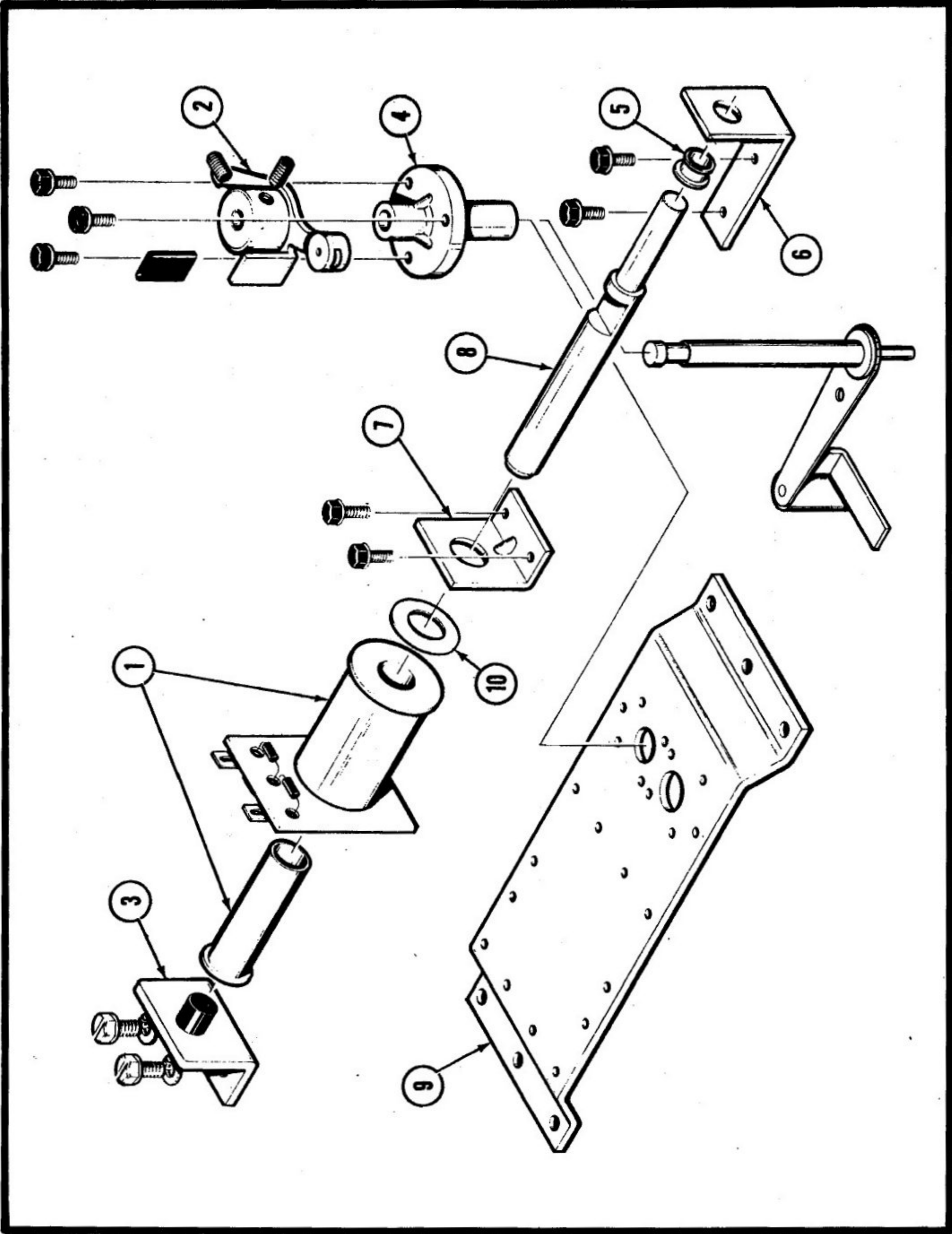


**FLIPPER ASSEMBLY - DOUBLE SWITCH RIGHT - PARTS LIST**  
**PART NO. AC70-00023-0100**

ORDER BY PART NUMBER ONLY

ITEM	PART NO.	DESCRIPTION
	A360-00039-0000	LEVER ARM, HUB, CAP & TUBING: RIGHT (INCLUDES ITEMS 1 & 2)
1	A365-00001-0000	LEVER ARM, HUB & CAP ASSEMBLY: RIGHT
2	0360-00945-0000	TUBING 5/16" X 1/2"
3	0017-00042-0413	FLIPPER BEARING
4	0017-00042-0418	NYLINER: SNAP-IN COIL
5	0360-00152-02XF	BRACKET: RIGHT FLIPPER STOP
6	A365-00045-0000	FLIPPER SWITCH ASSEMBLY
7	A365-00046-0000	FLIPPER BREAK SWITCH ASSEMBLY
8	0020-00202-0000	SWITCH PLATE
9	0360-00145-00XF	SWITCH BRACKET
10	0010-00275-0353	EXTENSION SPRING
11	0360-00718-00XF	PLUNGER
12	0360-00318-00XF	COIL BRACKET
13	AC70-00026-0000 103E-00002-0015	COIL & TUBING ASSEMBLY 3-LUG DIODE, 1N4004 GP, 400V, 1 AMP (2 REQ'D.)
14	A365-00024-0000	CORE PLUG & BRACKET ASSEMBLY
15	0365-00101-00XF	FLIPPER MOUNTING BRACKET
16	0017-00104-0073	SPRING WASHER .515" I.D., .875" O.D & .013" TH.
17	0171-097P6-AXPC	CAPACITOR: .01 MICROFARAD 500V CERAMIC DISC (NOT SHOWN)

BALL SAVER ASSEMBLY LEFT  
PART NO. AE94-00040-0000



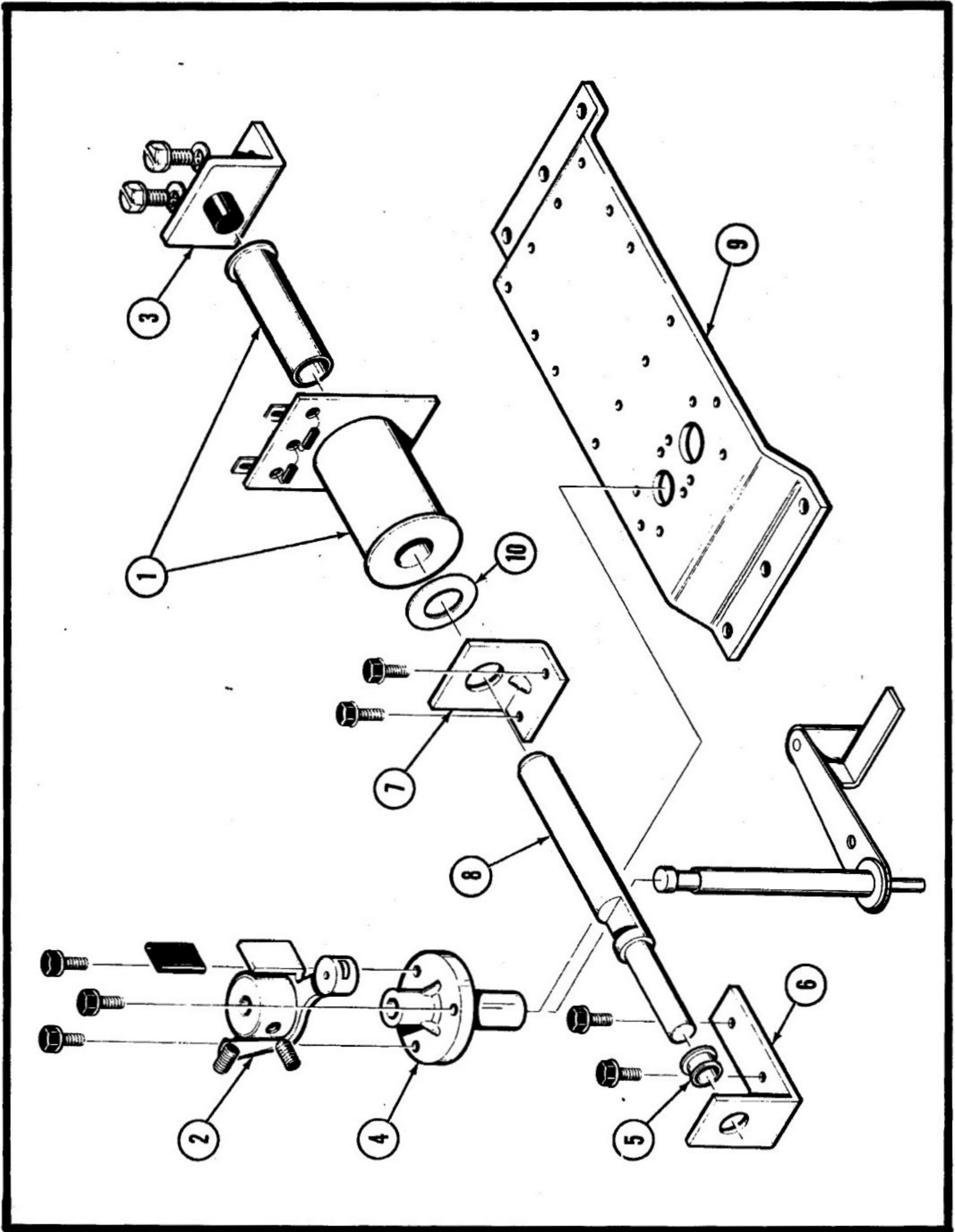
**BALL SAVER ASSEMBLY - LEFT - PARTS LIST**  
**PART NO. AE94-00040-0000**

**ORDER BY PART NUMBER ONLY**

<b>ITEM</b>	<b>PART NO.</b>	<b>DESCRIPTION</b>
1	AE94-00043-0000 103E-00002-0015	COIL & TUBING ASSEMBLY 2-LUG DIODE, 1N4004 GP, 400V, 1 AMP (2 REQ'D.)
2	A360-00038-0000	LEVER ARM, HUB, CAP & TUBING: LEFT
3	A365-00024-0000	CORE PLUG & BRACLET ASSEMBLY
4	0017-00042-0413	BEARING: FLIPPER
5	0017-00042-0418	NYLINER: SNAP-IN COIL
6	0360-00152-01XF	BRACKET: FLIPPER-STOP; LEFT
7	0360-00318-00XF	BRACKET: COIL
8	0360-00718-00XF	PLUNGER
9	0365-00101-00XF	BRACKET: FLIPPER MOUNTING
10	0017-00104-0073	WASHER: .515" I.D., .875" O.D. & .013" TH. SPRING STEEL



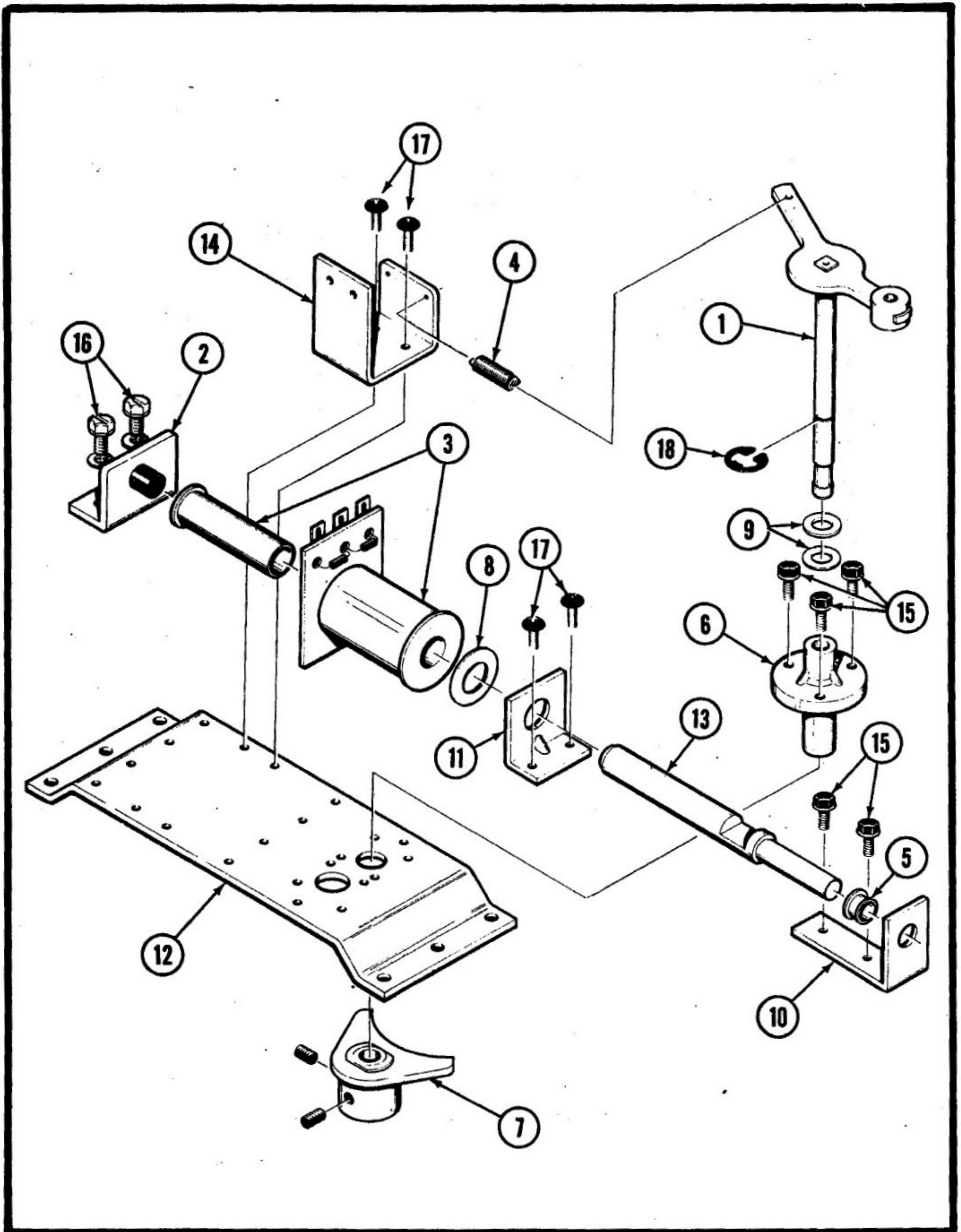
BALL SAVER ASSEMBLY RIGHT  
PART NO. AE94-00041-0000



**BALL SAVER ASSEMBLY - RIGHT - PARTS LIST**  
**PART NO. AE94-00041-0000**  
**ORDER BY PART NUMBER ONLY**

ITEM	PART NO.	DESCRIPTION
1	AE94-00043-0000 103E-00002-0015	COIL & TUBING ASSEMBLY 2-LUG DIODE: 1N4004 GP, 400V, 1 AMP
2	A360-00039-0000	LEVER-ARM, HUB, CAP & TUBING: LEFT
3	A365-00024-0000	CORE PLUG & BRACKET ASSEMBLY
4	0017-00042-0413	BEARING: FLIPPER
5	0017-00042-0418	NYLINER: SNAP-IN COIL
6	0360-00152-02XF	BRACKET: FLIPPER-STOP: LEFT
7	0360-00318-00XF	BRACKET: COIL
8	0360-00718-00XF	PLUNGER
9	0365-00101-00XF	BRACKET: FLIPPER MOUNTING
10	0017-00104-0073	WASHER: .515" I.D., .875" O.D. & .013" TH. SPRING STEEL

KICKER ASSEMBLY MULTI-BALL  
PART NO. AH01-00027-0000

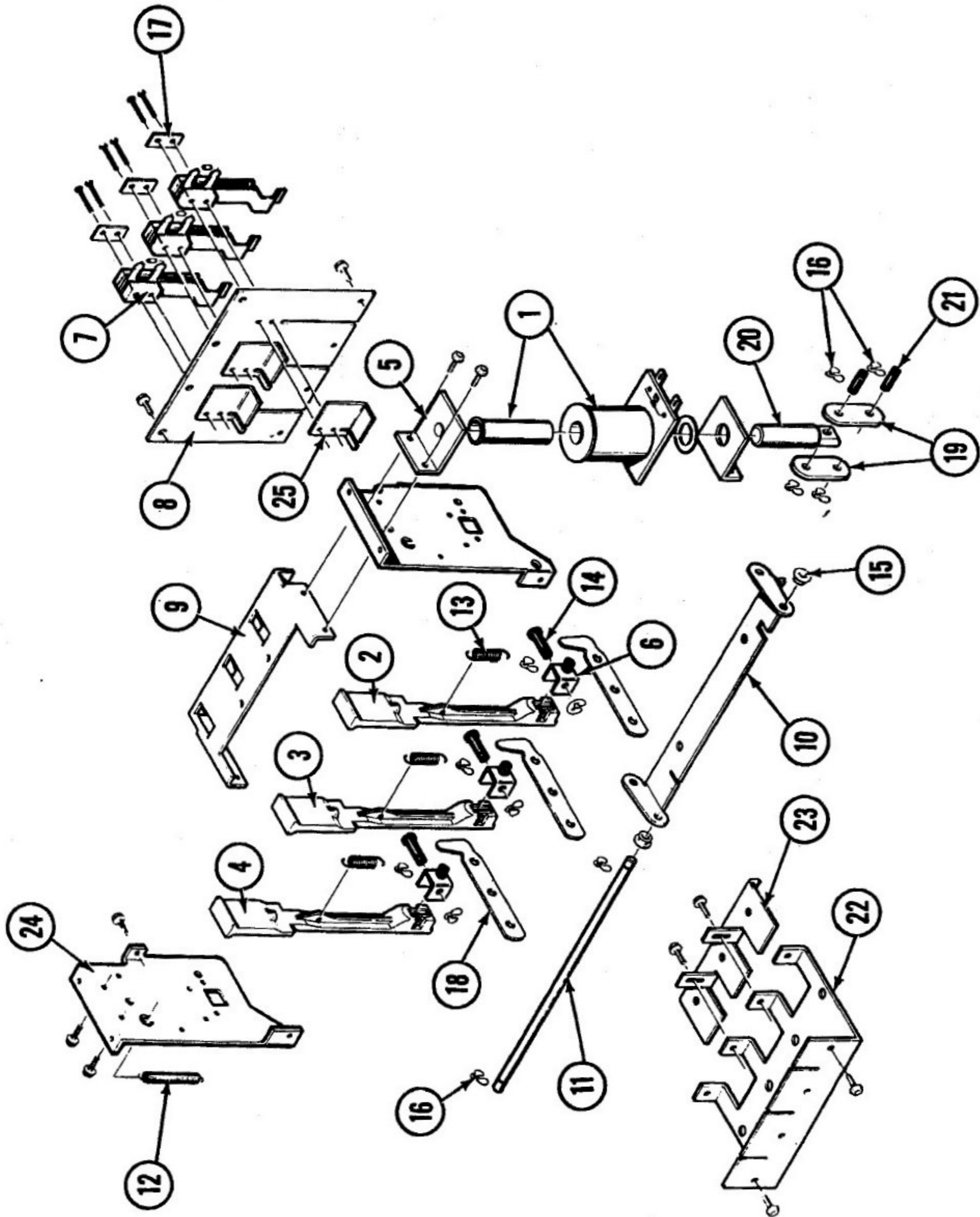


**KICKER ASSEMBLY: MULTI-BALL - PARTS LIST  
PART NO. AH01-00027-0000**

ORDER BY PART NUMBER ONLY

ITEM	PART NO.	DESCRIPTION
1	AH01-00026-00XF	SHAFT W/PLATE ASSEMBLY RIVETED
2	A365-00024-0000	CORE PLUG & BRACKET ASSEMBLY
3	A360-00211-0000	COIL & TUBING ASSEMBLY 2-LUG
	103E-00002-0015	1N4004GP 400V 1A DIODE GLASS
4	0010-00275-0353	SPRING: EXTENSION
5	0017-00042-0418	NYLINER: SNAP-IN, COIL
6	0017-00042-0413	BEARING: FLIPPER
7*	AH01-00028-00XF	MULTI-BALL KICKER ASSEMBLY
8	0017-00104-0073	SPRING WASHER: .515" I.D., .875" O.D. & .013" TH.
9	0017-00104-0079	NYLON FLAT WASHER: .225" I.D., .500" O.D., & .032" TH. (2 REQ'D.)
10	0360-00152-01XF	BRACKET: LEFT FLIPPER STOP
11	0360-00318-00XF	BRACKET: COIL
12	0365-00101-00XF	BRACKET: FLIPPER MOUNTING
13	0360-00718-00XF	PLUNGER
14	0360-00145-00XF	BRACKET: SWITCH
15	0017-00101-0184	8-32 X 3/8" UNSLOTTED HEX W/WSH TORK TAMPER PROOF SCREW (5 REQ'D)
16	0017-00101-0480	10-32 X 3/8" SLOTTED HEX W/WASHER MACHINE SCREW (2 REQ'D.)
17	0017-00101-0161	8-32 X 1/4" PHILLIPS PAN HEAD MACHINE SCREW (4 REQ'D.)
18	0017-00100-0120	RING: REINFORCED .250 5144-25 ST.
*	NOT PART OF ABOVE ASSEMBLY & MUST BE ORDERED SEPERATELY	

DROP TARGET ASSEMBLY: 3 IN-LINE  
PART NO. AH06-00042-0000



**DROP TARGET ASSEMBLY: 3 IN-LINE PARTS LIST  
PART NO. AH06-00042-0000**

ORDER BY PART NUMBER ONLY

ITEM	PART NO.	DESCRIPTION
1	AB42-00045-0000 A365-00067-0019 103E-00002-0015 0017-00041-0673	COIL & TUBING: (INCLUDES FOLLOWING 3 ITEMS) COIL: 2-LUG 1N4004GP 400V 1A DIODE TUBING: L = 2" X 3/4"
2	AH06-00043-0001	TARGET ASSEMBLY: YELLOW-ON-RED; 2X
3	AH06-00043-0002	TARGET ASSEMBLY: YELLOW-ON-RED; 3X
4	AH06-00043-0003	TARGET ASSEMBLY: YELLOW/RED/SPIROL
5	A360-00014-0000	CORE-PLUG & BRACKET ASSEMBLY
6	A967-00032-0000	YOKE, BRACKET & STUD ASSEMBLY (3 REQ'D.)
7	A967-00066-0000	SWITCH ASSEMBLY W/DIODE (3 REQ'D.)
8	0A44-00105-00XF	PLATE: SIDE FRAME
9	0A44-00107-00XF	PLATE: TOP FRAME (3 IN-LINE)
10	0A44-00108-00XF	RESET BAR: (SIDE-BY-SIDE DROP TARGET)
11	0A44-00700-00XF	SHAFT: 3 IN-LINE TARGET
12	0010-00275-0350	SPRING: EXTENSION
13	0010-00275-0363	SPRING: EXTENSION (3 REQ'D.)
14	0011-00005-00XF	STUD: PIVOT (3 REQ'D.)
15	0017-00042-0429	NYLINER: SNAP-IN COIL (4 REQ'D.)
16	0017-00100-0117	RING: KLIP .250" (6 REQ'D.)
17	0020-00202-0000	PLATE: SWITCH (3 REQ'D.)
18	0360-00117-00XF	LINK: DROP-TARGET (3 REQ'D.)
19	0360-00118-0000	LINK: DROP-TARGET (2 REQ'D.)

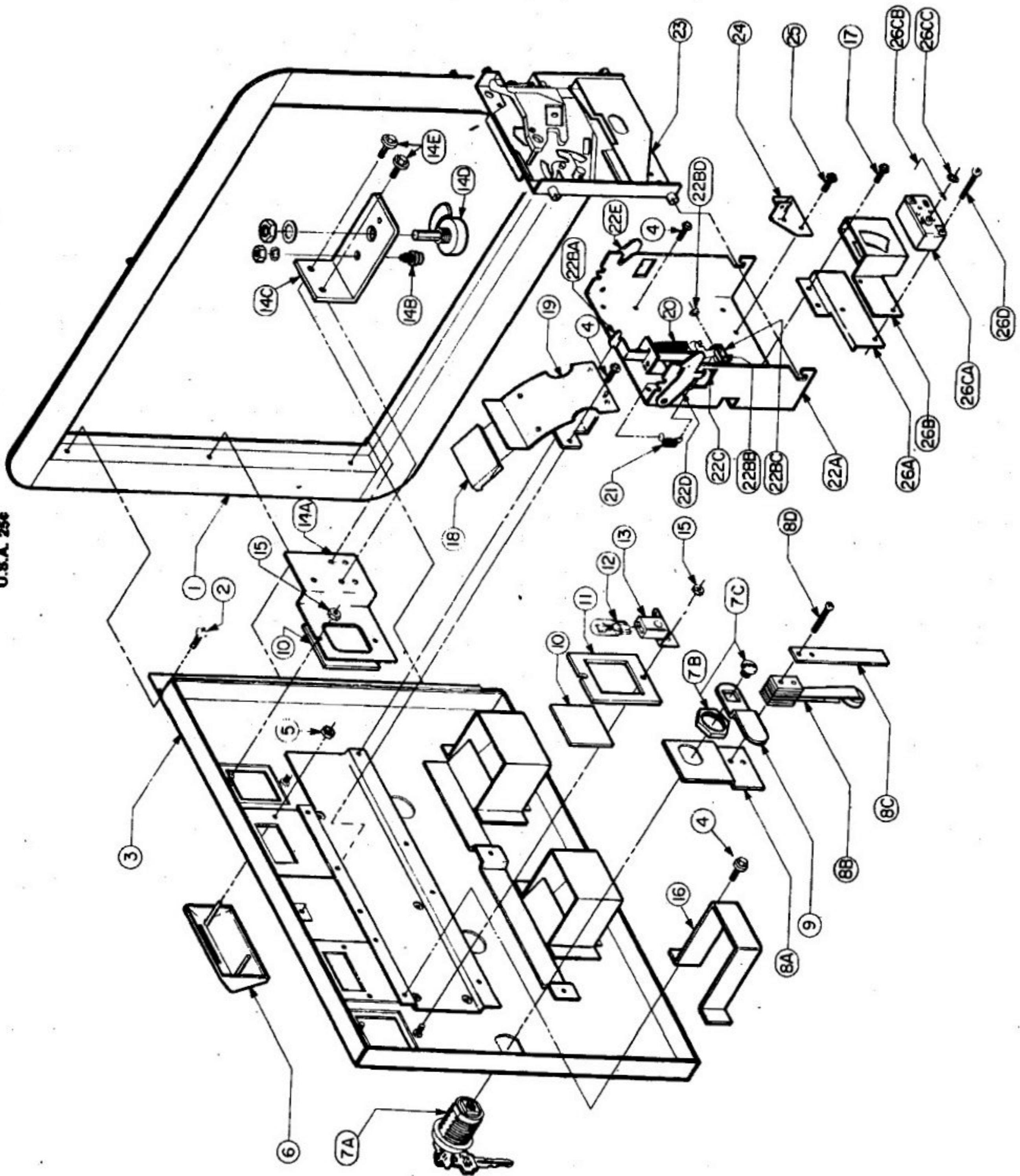
DROP TARGET ASSEMBLY: 3 IN-LINE PARTS LIST, CONT'D.  
PART NO. AH06-00042-0000

ORDER BY PART NUMBER ONLY

ITEM	PART NO.	DESCRIPTION
20	0360-00717-00XF	PLUNGER
21	0360-00721-00XF	PIN: LINK (2 REQ'D.)
22	0370-00145-03XF	PLATE: BOTTOM-STATIONARY L=4-15/16"
23	0370-00146-03XF	PLATE: BOTTOM-ADJUSTABLE L=3-15/16"
24	0371-00125-00XF	PLATE: END; DROP TARGET
25	0967-00112-00XF	BRACKET: NUT & SPRING (3 REQ'D.)

FRONT DOOR WITH CABLE ASSEMBLY - PINBALL GAME - U.S.A. 25¢  
PART NO. A982-00014-0013

FRONT DOOR ASSEMBLY - PINBALL GAME  
U.S.A. 25¢





**COIN DOOR WITH CABLE ASSEMBLY - PINBALL GAME - U.S.A. 25¢ - PARTS LIST  
PART NO. A982-00014-0013**

**ORDER BY PART NUMBER ONLY**

<b>ITEM</b>	<b>PART NO.</b>	<b>DESCRIPTION</b>
1*	0090-00002-04BK	DOUBLE ENTRY COIN DOOR FRAME
2*	0017-00101-0121	#6-32 X 5/16" PHILLIPS TRUSS HEAD SCREW (3 REQ'D.)
3	A090-00072-06BK	COIN DOOR: 2-HOLE PAINTED
4	0017-00101-0123	#8 X 1/4" UNSLOTTED HEX HEAD SCREW (9 REQ'D.)
5	0017-00103-0059	PUSH NUT (4 REQ'D.)
6	0090-00912-0000	COIN ENTRY PLATE - (2 REQ'D.)
7A	0017-00005-0200	LOCK - INDIV. KEYED W/2 KEYS
7B	0017-00103-0079	3/4 HEX NUT
7C	0017-00101-0125	#10 - 32 X 1/4" SLOTTED PAN HEAD SCREW
8	A090-00096-0000	ANTI-SLAM SWITCH & BRACKET ASSEMBLY
8A	0090-00185-00XF	DOOR TILT SWITCH BRACKET
8B	A090-00095-0000	DOOR ANTI-SLAM SWITCH
8C	0090-00126-01XF	SWITCH BACK-UP PLATE
8D	0017-00101-0155	#4-40 X 9/16" PHILLIPS PAN HEAD (2 REQ'D.)
9	0017-00005-0238	DOOR CAM
10	0090-00903-9500	25¢ WINDOW (2 REQ'D.)
11	0090-00438-0000	COIN PLEX RETAINER
12	0017-00003-0501	6.3 VOLT LAMP - WEDGE BASE #555 (2 REQ'D.)
13	0017-00031-0048	WEDGE SOCKET W/BRACKET (2 REQ'D.)
14	A090-00647-0000	BRACKET & SWITCH ASSEMBLY
14A	0090-00179-0000	CABLE & SWITCH MOUNTING BRACKET
14B	0017-00032-0120	PUSH-BUTTON SWITCH
14C	0360-00171-00XF	BRACKET: VOLUME CONTROL MOUNTING
*		<b>NOT PART OF ABOVE ASSEMBLY &amp; MUST BE ORDERED SEPARATELY</b>

**COIN DOOR WITH CABLE ASSEMBLY - PINBALL GAME - U.S.A. 25¢ - PARTS LIST, CONT'D.  
PART NO. A982-00014-0013**

**ORDER BY PART NUMBER ONLY**

<b>ITEM</b>	<b>PART NO.</b>	<b>DESCRIPTION</b>
14D	105E-00003-0001	POT: 0-100 OHMS WIREWOUND
14E	0017-00101-0123	#8 X 1/4" UNSLOTTED HEX HEAD SCREW (2 REQ'D.)
15	0017-00103-0084	#6-32 HEX NUT W/SEMS (4 REQ'D.)
16	0090-00434-00XF	SWITCH GUARD
17	0017-00101-0124	#6 X 1/4" UNSLOTTED HEX HEAD SCREW (4 REQ'D.)
18	0090-00911-0000	INSULATOR (2 REQ'D.)
19	A090-00087-0000	COIN CHUTE & TOP ASSEMBLY (2 REQ'D.)
	A090-00081-00XF	COIN CHUTE & BRACKET ASSEMBLY
	0090-00172-00XF	COIN CHUTE TOP
	0017-00101-0140	#4-40 X 5/16" PHILLIPS PAN HEAD ( 3 REQ'D.)
	0017-00007-0162	COTTER PIN (4 REQ'D.)
20	0010-00134-0000	SPRING
21	0010-00181-0000	SPRING
22	A090-00115-0000	COIN ACCEPTOR FRAME SUB-ASSEMBLY (2 REQ'D.)
22A	A090-00118-0000	COIN ACCEPTOR & BUSHING ASSEMBLY
22B	A090-00116-0000	REJECT LEVER ASSEMBLY ( 2 REQ'D.)
22BA	0090-00182-00XF	REJECT LEVER
22BB	0090-00129-00XF	POST: PIVOT REJECTOR
22BC	0090-00167-00XF	PIVOT LEVER
22BD	0017-00100-0012	E-RING .125 DIA.
22C	0017-00007-0083	1/8" X 1-5/8" ROLL PIN
22D	0093-00145-01XF	LATCH-LEFT
22E	0093-00145-00XF	LATCH-RIGHT
	0017-00072-0036	.120" X .218" X 7/32" RIVET (2 REQ'D.)

**COIN DOOR WITH CABLE ASSEMBLY - PINBALL GAME - U.S.A. 25¢ - PARTS LIST, CONT'D.  
PART NO. A982-00014-0013**

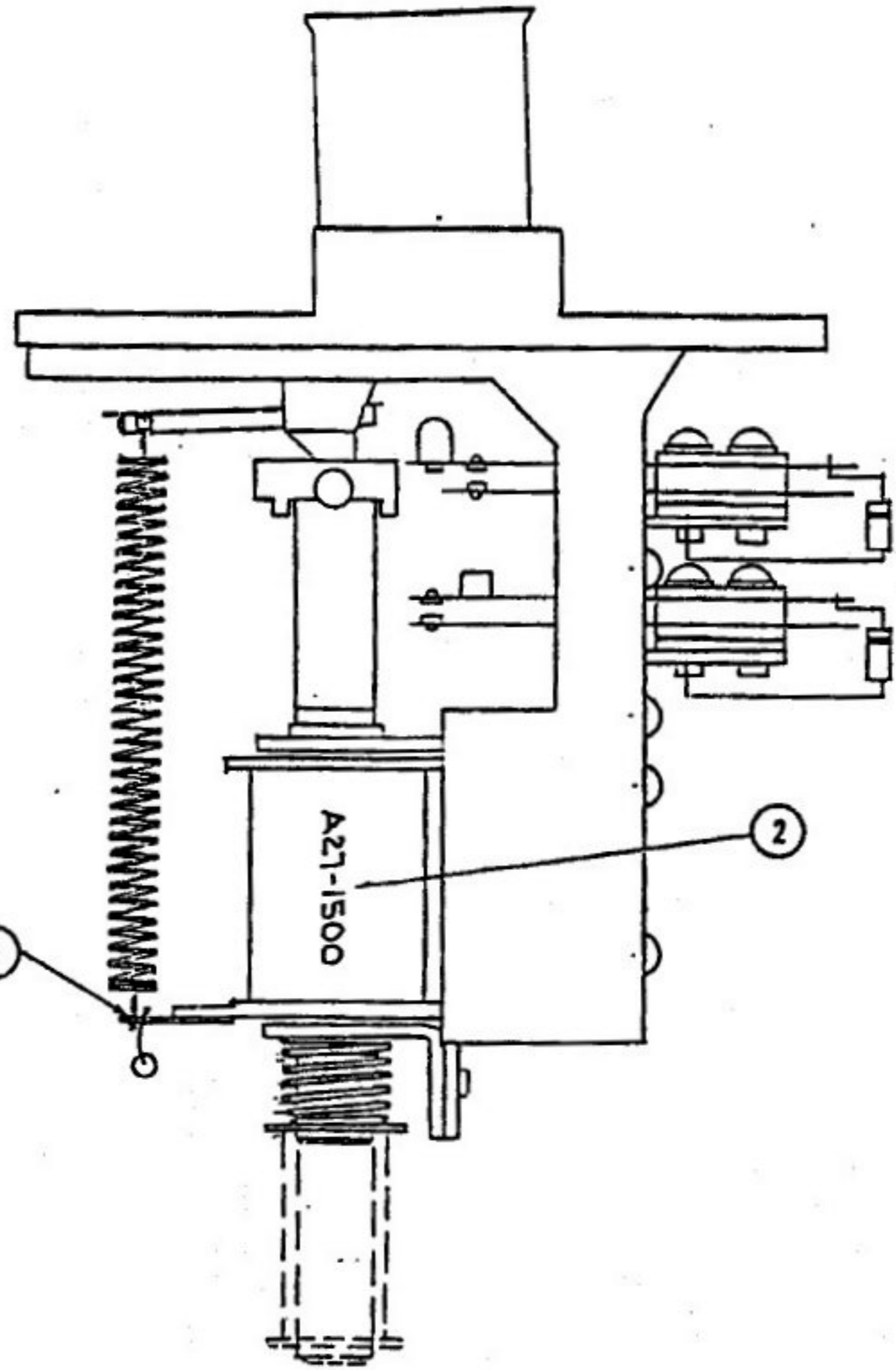
**ORDER BY PART NUMBER ONLY**

<b>ITEM</b>	<b>PART NO.</b>	<b>DESCRIPTION</b>
	0090-00910-00XF	REJECT BUTTON
	0090-00183-0000	BUTTON STOP
	0017-00101-0140	#4-40 X 5/16" PHILLIPS PAN HEAD
23	0151-00086-0000	COIN ACCEPTOR W/STRING CUTTER (2 REQ'D.)
24	A090-00064-0100	ANTI-PENNY DEVICE (2 REQ'D.)
25	0017-00101-0099	#6 X 1/4" SLOTTED HEX HEAD MACHINE SCREW ( 4 REQ'D.)
	A090-00647-0000	COIN GUIDE, SWITCH & DIODE ASSEMBLY (INCLUDES ITEM 26)
26	A090-00077-0000	COIN GUIDE & SWITCH ASSEMBLY
26A	0090-00162-00XF	COIN SWITCH MOUNTING BRACKET
26B	0017-00005-0203	COIN SWITCH CHUTE
26C	A090-00059-0400	COIN SWITCH & WIRE ASSEMBLY
26CA	0017-00005-0195	COIN SWITCH
26CB	0010-00599-0000	COIN SWITCH WIRE
26CC	0017-00007-0015	PUSH-ON RING
26D	0017-00101-0147	#4-40 X 3/4" PHILLIPS PAN HEAD (4 REQ'D.)
26E	103E-00002-0005	DIODE: 1N4148 500MA GLASS (2 REQ'D.) (NOT SHOWN)

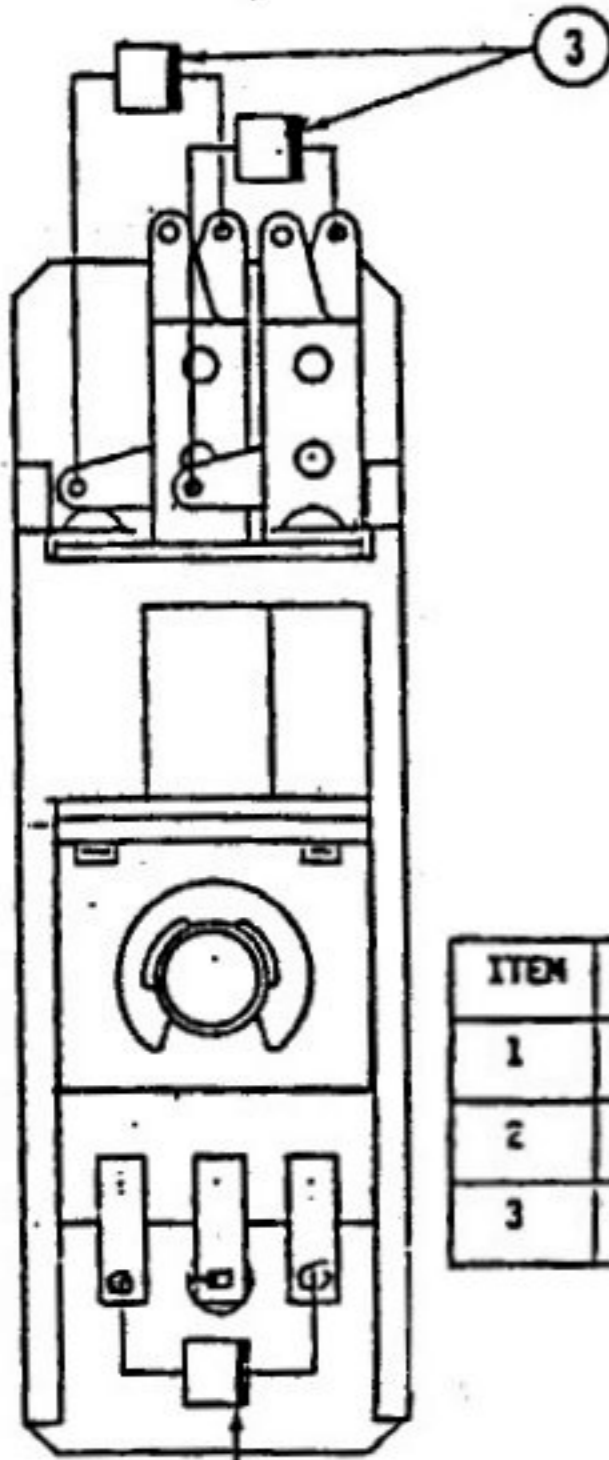
**ADDITIONAL PARTS LIST**

	0090-00184-0000	COIN SWITCH COVER (2 REQ'D.)
	A982-00015-0007	PINBALL COIN DOOR CABLE (STANDARD) (NOT SHOWN)

# TELEPORT DROP TARGET ASSEMBLY PART NO. A365-00374-0100



ATTACH ONE END OF THE EXTENSION SPRING TO THE CENTER LUG ON THE SOLENOID.



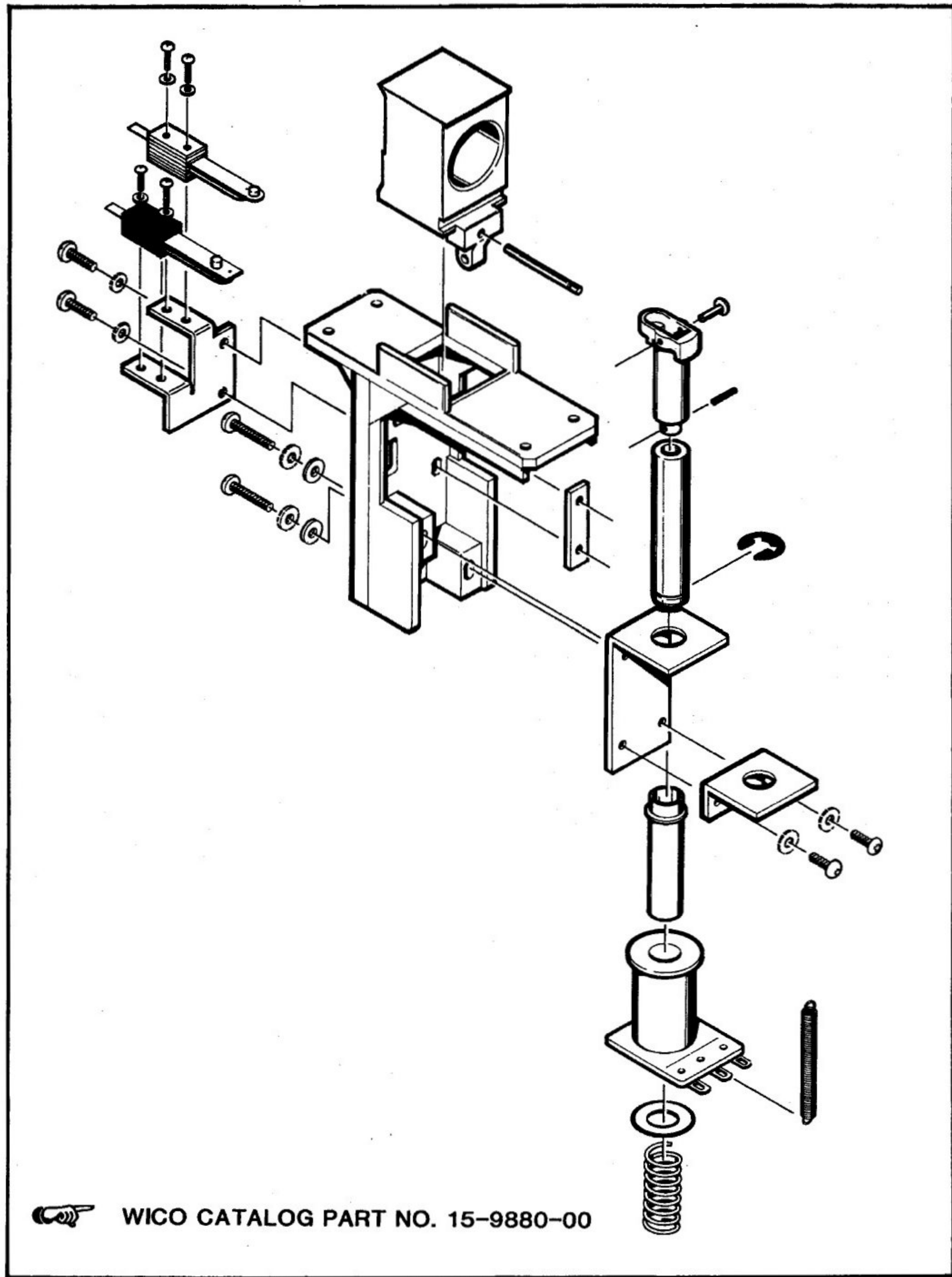
DROP TARGET ASSEMBLY - PARTS LIST  
PART NO. A365-00374-0100  
MICO CATALOG PART NO. 15-9880-00  
ORDER BY PART NUMBER ONLY

ITEM	PART NO.	DESCRIPTION
1	0010-00275-0310	SPRING: EXTENSION
2	M052-00365-0025	TAPE: 4"
3	103E-00002-0015	DIODE: 1N4004GP, 1A, 400V (3 EA.)

3 NOTE THE POSITION OF THE DIODE BAND IN RELATION TO MOUNTING THE DIODES ON THE SWITCHES & SOLENOID.

DROP TARGET ASSEMBLY PART NO. A365-00374-0100

EXPLODED VIEW



 WICO CATALOG PART NO. 15-9880-00

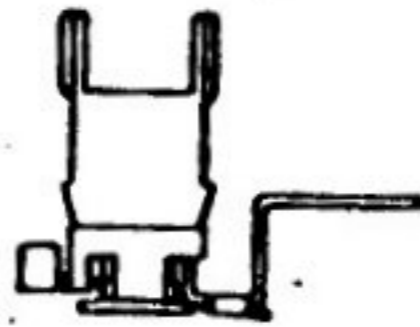
**DUNGEONS & DRAGONS LAMP SOCKETS - PARTS LIST**  
**AH06-LAMP SOCKETS**

ORDER BY PART NUMBER ONLY

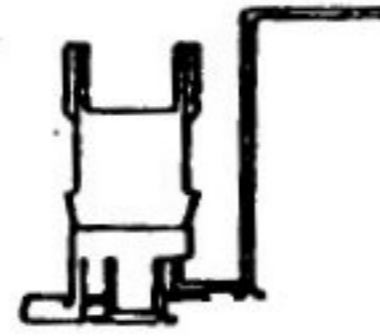
ITEM	PART NO.	DESCRIPTION
1	0017-00031-0052	SOCKET ASSEMBLY W/DIODE 1N4004
2	0017-00031-0053	SOCKET ASSEMBLY W/DIODE 1N4004
3	0017-00031-0054	SOCKET ASSEMBLY W/DIODE 1N4004
4	0017-00031-0060	SOCKET ASSEMBLY THUMPER BUMPER
5	0017-00031-0070	SOCKET ASSEMBLY W/DIODE 1N4004
6	0017-00031-0071	SOCKET ASSEMBLY W/DIODE 1N4004
7	0017-00031-0072	SOCKET ASSEMBLY W/DIODE 1N4004



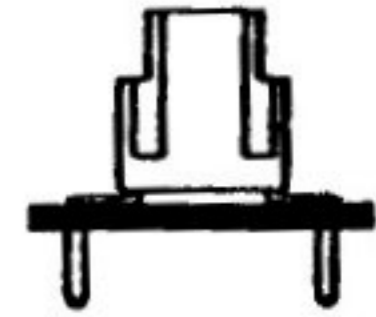
LAMP SOCKET - 1



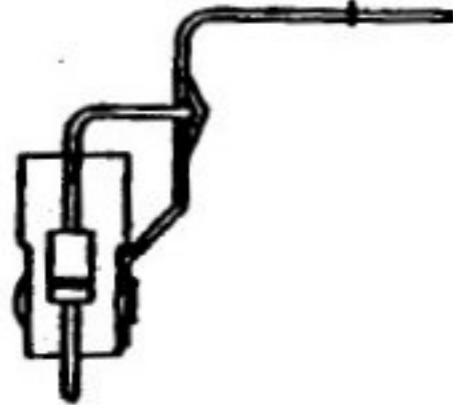
LAMP SOCKET - 2



LAMP SOCKET - 3



LAMP SOCKET - 4



LAMP SOCKET -5



LAMP SOCKET - 6



LAMP SOCKET - 7

**SPARE PARTS KIT ASSEMBLY - PARTS LIST  
PART NO. AH06-00032-0000**

**ORDER BY PART NUMBER ONLY**

<b>ITEM</b>	<b>PART NO.</b>	<b>DESCRIPTION</b>
	0017-00003-0007	FUSE: MDA 3AG 3A 250V SLOW-BLOW
	0017-00003-0008	FUSE: AGC 3AG 6A 32V MEDIUM-BLOW
	0017-00003-0010	FUSE: AGC 3AG 3/4A 250V FAST-BLOW
	0017-00003-0011	FUSE: AGC 3AG 15A 32V MEDIUM-BLOW (2 REQ'D.)
	0017-00003-0103	FUSE: MDX 3AG 1.0A 250V SLOW-BLOW
	0017-00003-0206	FUSE: AGC 8AG 3/16A 250V FAST-BLOW
	0017-00003-0383	FUSE: AGC 3AG 3/8A 250V FAST-BLOW
	0017-00003-0387	FUSE: AGC 3AG 8A 32V MEDIUM-BLOW
	0017-00003-0501	LAMP: WEDGE BASE .25 6.3V .25 #555 (2 REQ'D.)
	0017-00003-0525	LAMP: WEDGE BASE 12.8V 1.0A #912 (2 REQ'D.)
	0017-00003-0551	FUSE: ABC 3AG 6A 250V FAST-BLOW
	0017-00003-0638	FUSE: MDL 3/4A 250V SLOW-BLOW
	0017-00101-0186	1/4-28 x 5/16" HEX SOCKET CUP POINT SET SCREW (2 REQ'D.)
	0017-00101-0015	#6 x 8 SLOTTED HEX HEAD SCREW (6 REQ'D.)

**NOTE:** Continues on page 52.

**GAME PARTS LOCATED IN SPARE PARTS KIT ASSEMBLY - PARTS LIST**

ORDER BY PART NUMBER **ONLY**

<b>ITEM</b>	<b>PART NO.</b>	<b>DESCRIPTION</b>
	0017-00009-0522	KEY: LONG-ARM TAMPER RESISTANT
	0017-00009-0709	BALL: 1-1/16" DIA. STEEL (4 REQ'D.)
	0017-00009-0547	BALL: 15/16" DIA. STEEL
	0017-00009-0551	ALLEN WRENCH 1/8"
	0360-00709-0000	REMOVAL TOOL: P.C. BOARDS
	0360-00900-0000	PLUMB-BOB: TILT
	0017-00101-0471	3/8-16 x 4-1/2" UNSLOTTED HEX HEAD BOLT (2 REQ'D.)
	0017-00102-0063	3/8-16 x 2-3/8" UNSLOTTED HEX HEAD BOLT (8 REQ'D.)
	0017-00102-0082	HEX NUT 3/8-16 (4 REQ'D.)
	0017-00103-0026	LEG ADJUSTER (4 REQ'D.)
*	0H06-00138-0000	COVER: BACKBOX ACCESS HOLE (2 REQ'D.)
*	0017-00101-0398	#6 x 3/8" PHILLIPS ROUND HEAD SCREW (6 REQ'D.)

\* For installation of these parts, refer to page iv in the Dungeons & Dragons Operating Manual, # 0H06-00300-0100.  
 Also refer to page 7 in the Dungeons & Dragons Parts Manual, # 0H06-00300-0200.