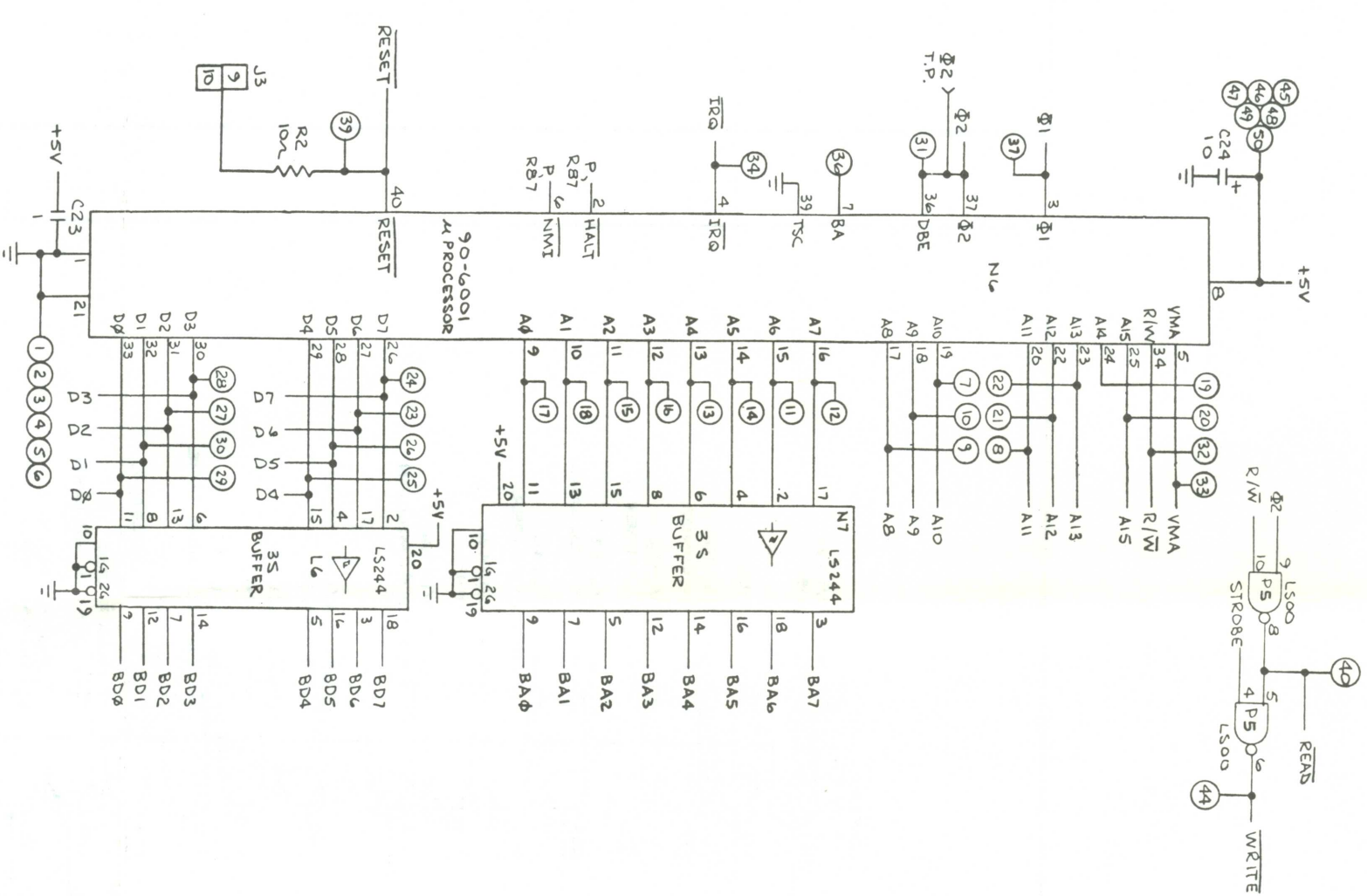
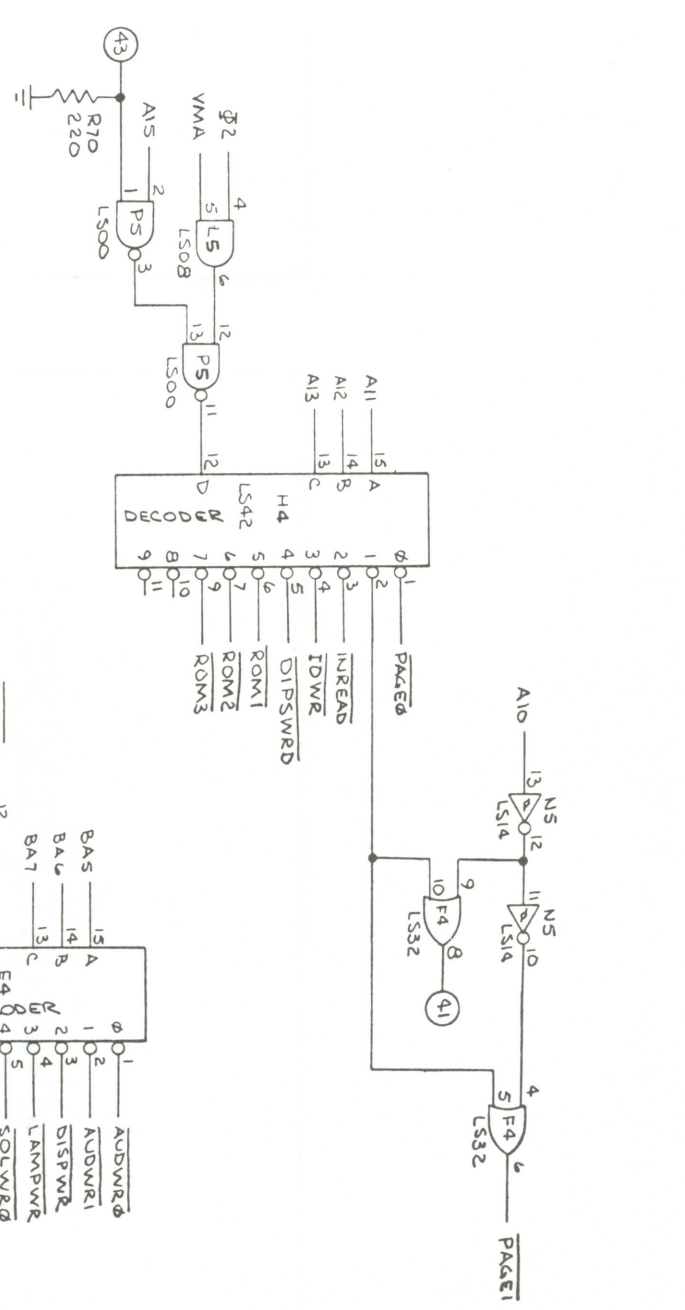


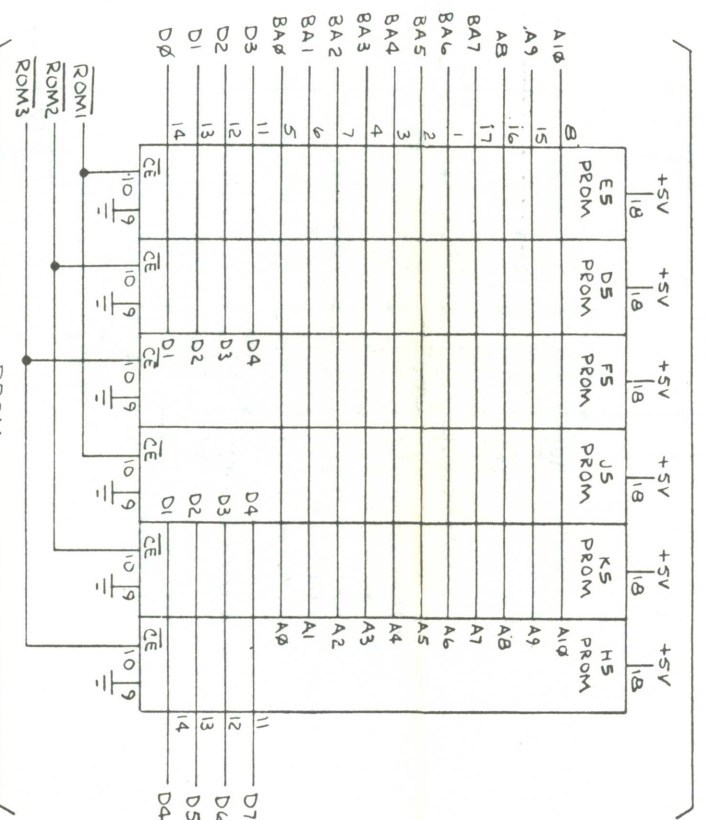
**Clock & Watchdog Counter**



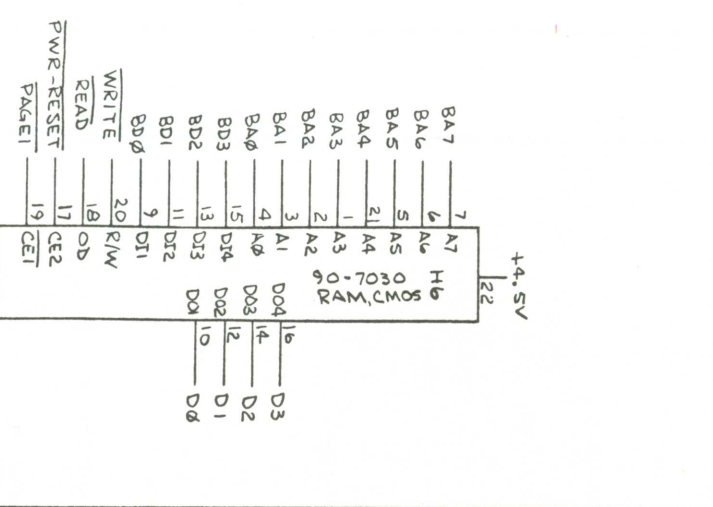
**MPU**



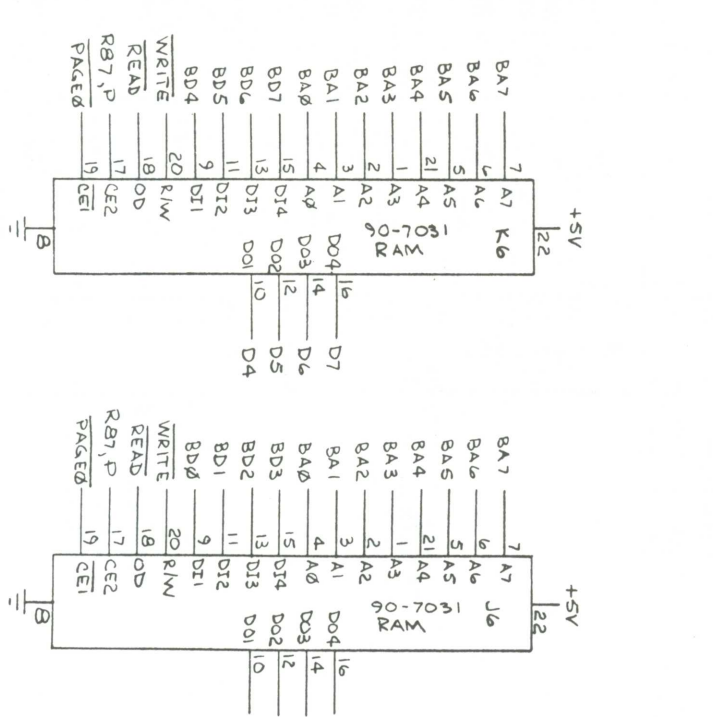
**Address Decoder**



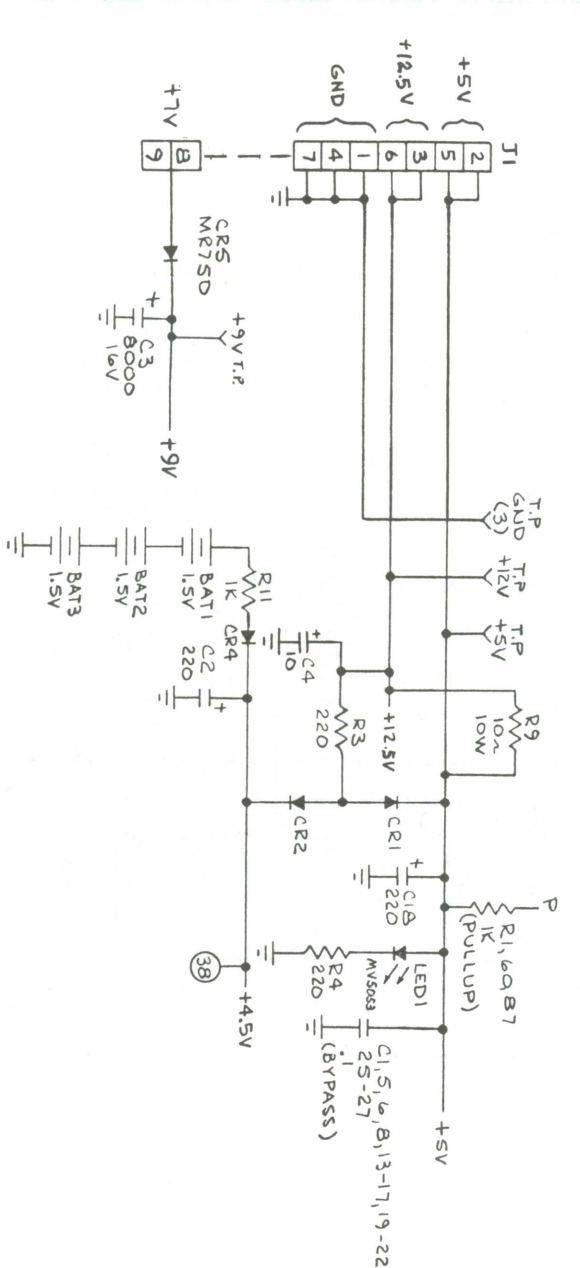
**Program Memory**



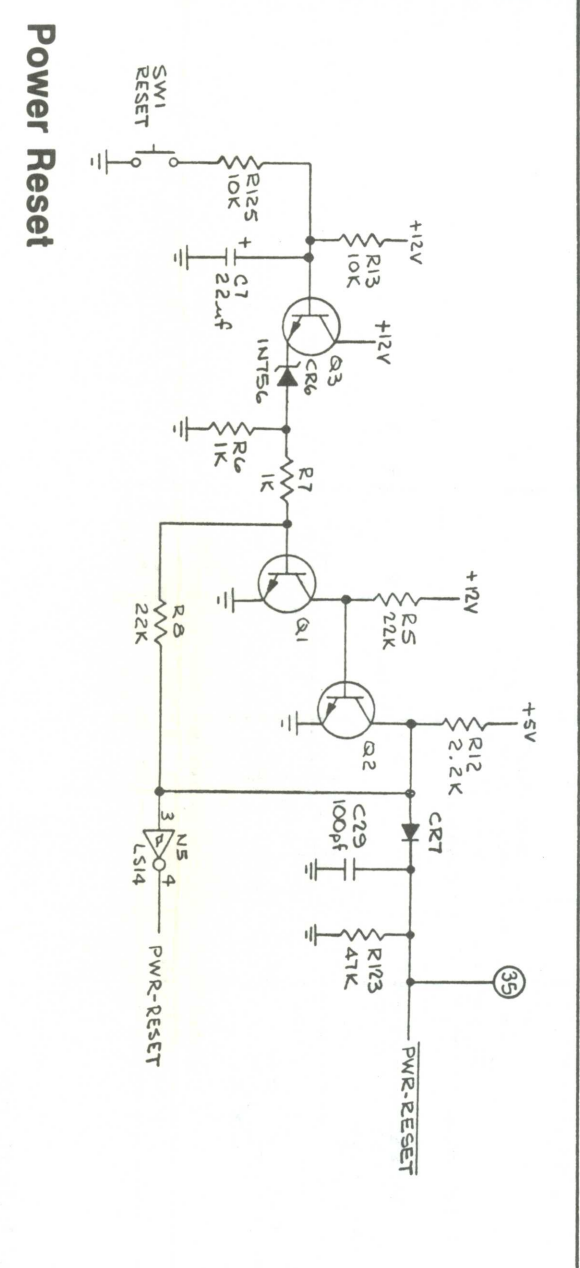
**Battery-Backed RAM**



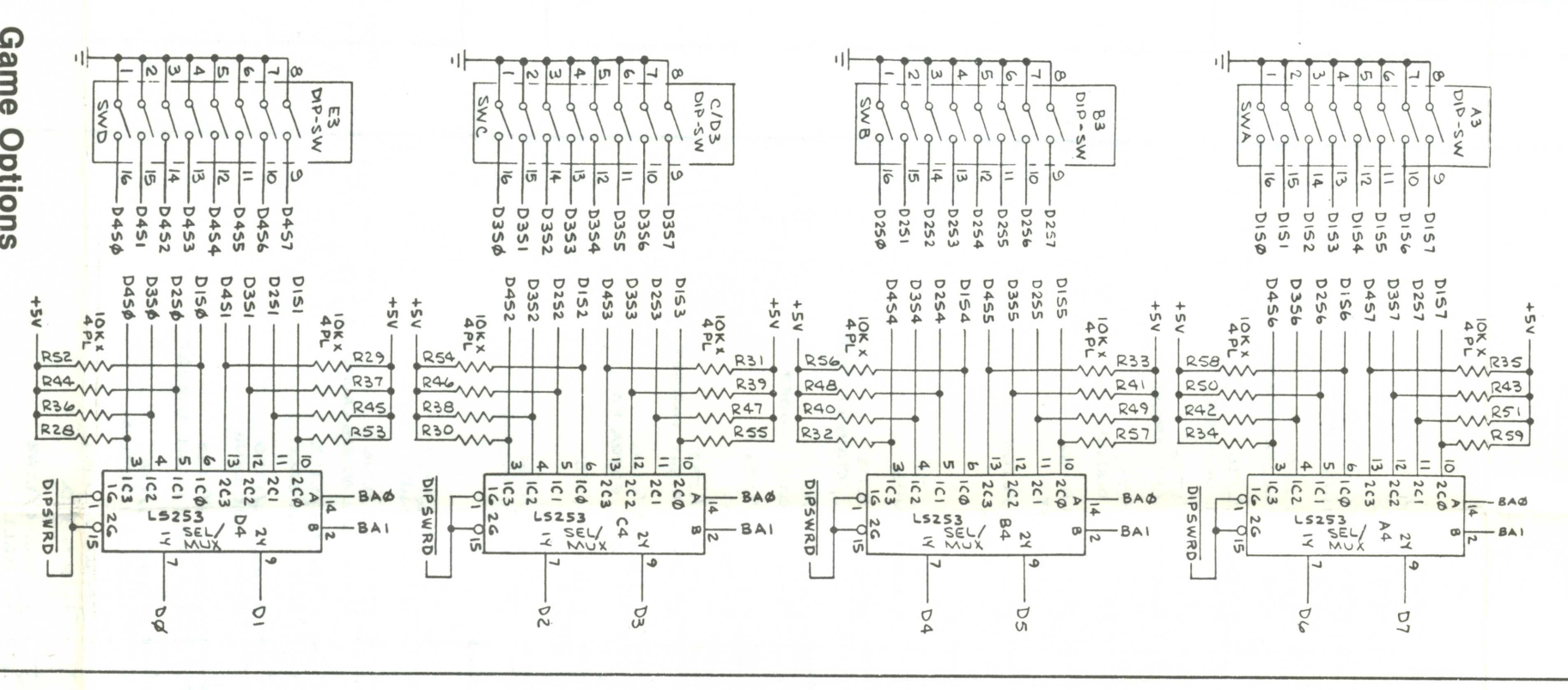
**RAM**



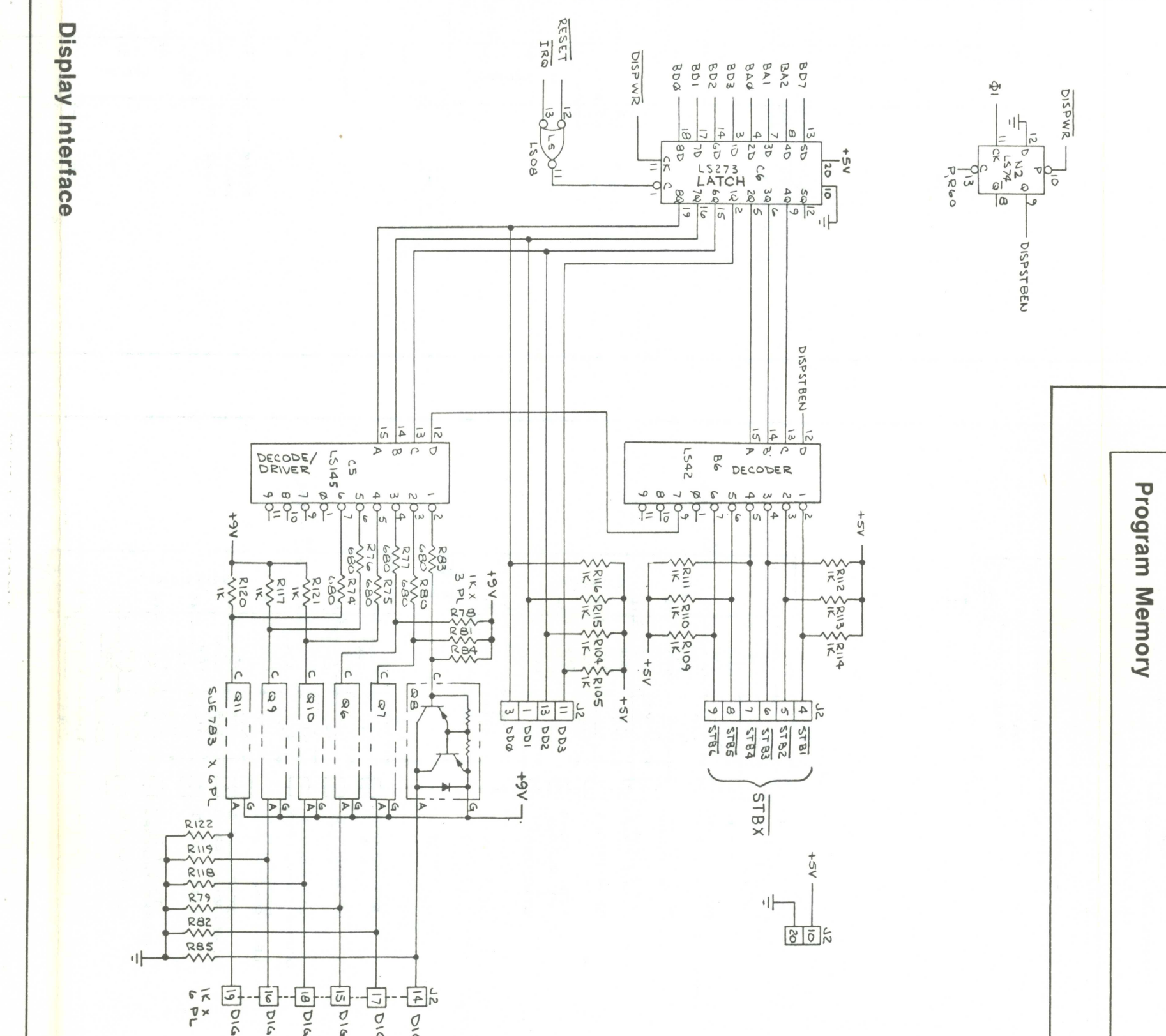
**Power Input and Battery**



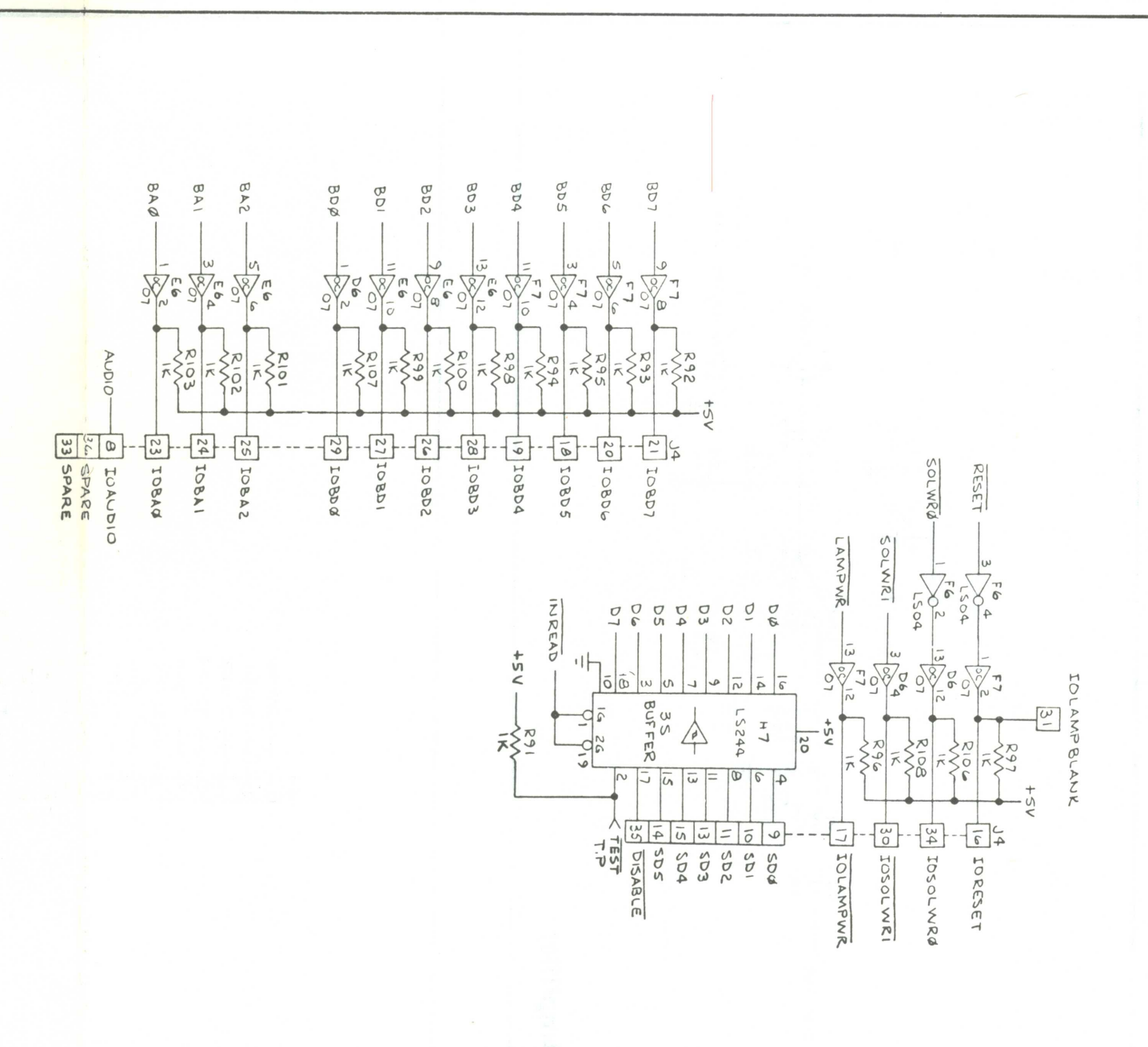
**Power Reset**



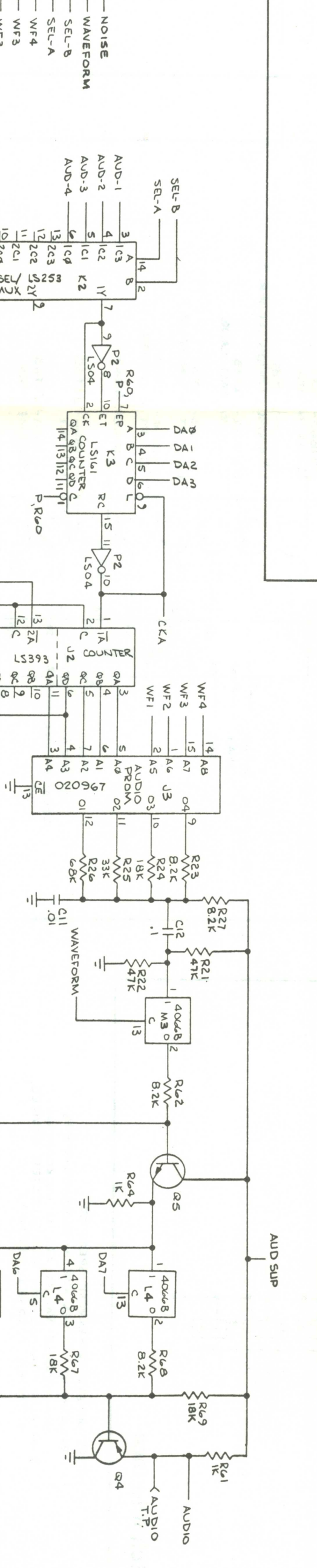
**Game Options**



**Display Interface**



**I/O PCB Interface**



**Audio**

- NOTES: UNLESS SPECIFIED
1. RESISTANCE VALUES ARE IN OHMS, UNLESS %.
  2. ALL AND TRANSISTORS ARE MORGAN WITH SELECTED  $V_{BE}$  OF 100 @  $I_{C150} = 4$ .
  3. ALL PNP TRANSISTORS ARE 2N1344.
  4. ALL DIODES ARE 1N914.
  5. ALL LEADS ARE WAGO'S.
  6. CIRCLED NUMBERS ARE AT TEST CONNECTIONS.

**PROCESSOR PCB**  
020838-01 E

ATARI  
ATARI