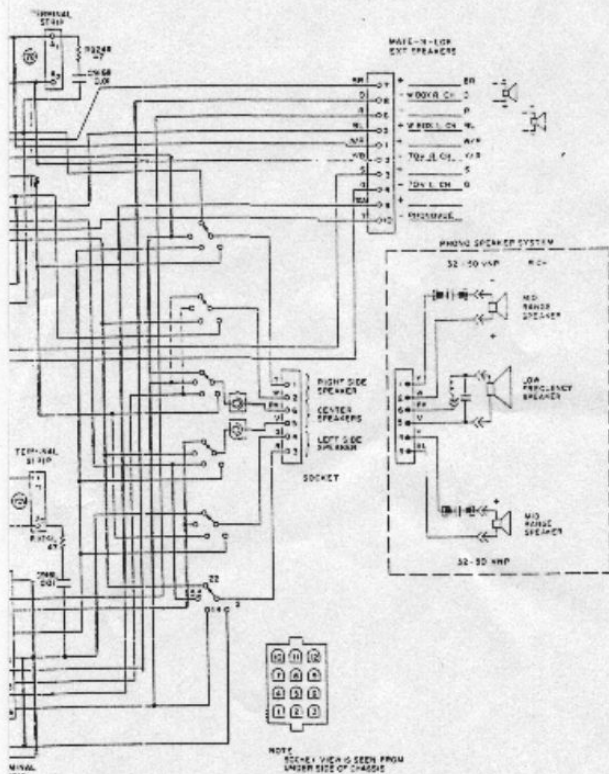


# TI-1

## 50W HYBRID AMPLIFIER SCHEMATIC DIAGRAM



### WIRE COLOR CHART

NO.	BLACK	W	WHITE
1	BROWN	G	GREEN-WHITE
2	BLACK	B	B.LUE-WHITE
3	BROWN	BR-W	BROWN-WHITE
4	SLATE	R-Y	RED-YELLOW
5	YELLOW	R-B	RED-BLACK
6	GREEN	R-G	RED-GREEN
7	RED		

### D.C. VOLTAGE READINGS

V	TESTER	RESISTOR	RESISTANCE	VOLTS	TESTER	RESISTOR	RESISTANCE	VOLTS
V1	75A5	100	100	0	100	100	100	0
V2	75A5	100	100	0	100	100	100	0
V3	75A5	100	100	0	100	100	100	0
V4	75A5	100	100	0	100	100	100	0
V5	75A5	100	100	0	100	100	100	0
V6	75A5	100	100	0	100	100	100	0
V7	75A5	100	100	0	100	100	100	0
V8	75A5	100	100	0	100	100	100	0

### NOTES

1. D.C. VOLTAGES ARE MEASURED TO CHASSIS GROUND & TO 1000 OHMS PER VOLT METER WITH NO SIGNAL INPUT UNLESS OTHERWISE INDICATED.
2. LINE VOLTAGE IS 100 VOLTS.
3. D.C. MEASUREMENTS TAKEN WITH NO OTHER UNIT CONNECTED.
4. SIGNAL VOLTAGES ARE INDICATED (10 V) AND ARE MEASURED TO GROUND (UNLESS A.C. VOLTAGE WITH SIGNAL INPUT INDICATED).
5. CAPACITANCE 5% UNLESS OTHERWISE INDICATED.
6. RESISTANCE 5% UNLESS OTHERWISE INDICATED.
7. CAPACITOR VOLTAGE RATING 200 V UNLESS OTHERWISE INDICATED.
8. RESISTORS ARE 1/2 WATT AND 2-10% TOLERANCE UNLESS OTHERWISE INDICATED.
9. POWER LEVEL SWITCH SHOWN IN MAXIMUM POWER POSITION.

4-0864-1-1 (2)

Refer to Parts Catalog Figure 26 for part number and description of parts shown on this diagram.

FIGURE 6-6. 50W HYBRID AMPLIFIER SCHEMATIC DIAGRAM