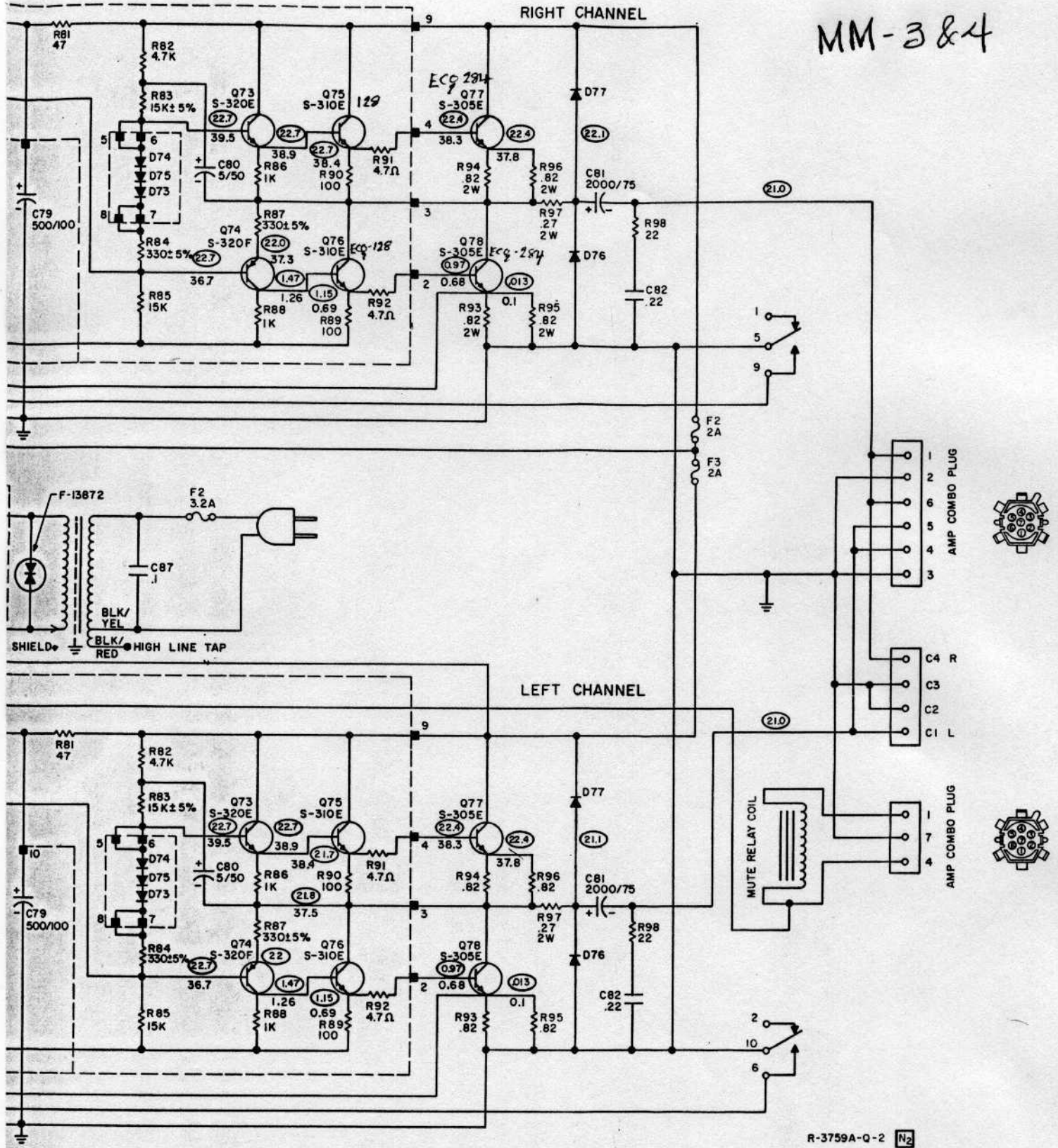


MM-3&4



Refer to Parts Catalog Figure 35 for part number and description of parts shown on this diagram.

FIGURE 6-7. 100W AMPLIFIER SCHEMATIC DIAGRAM