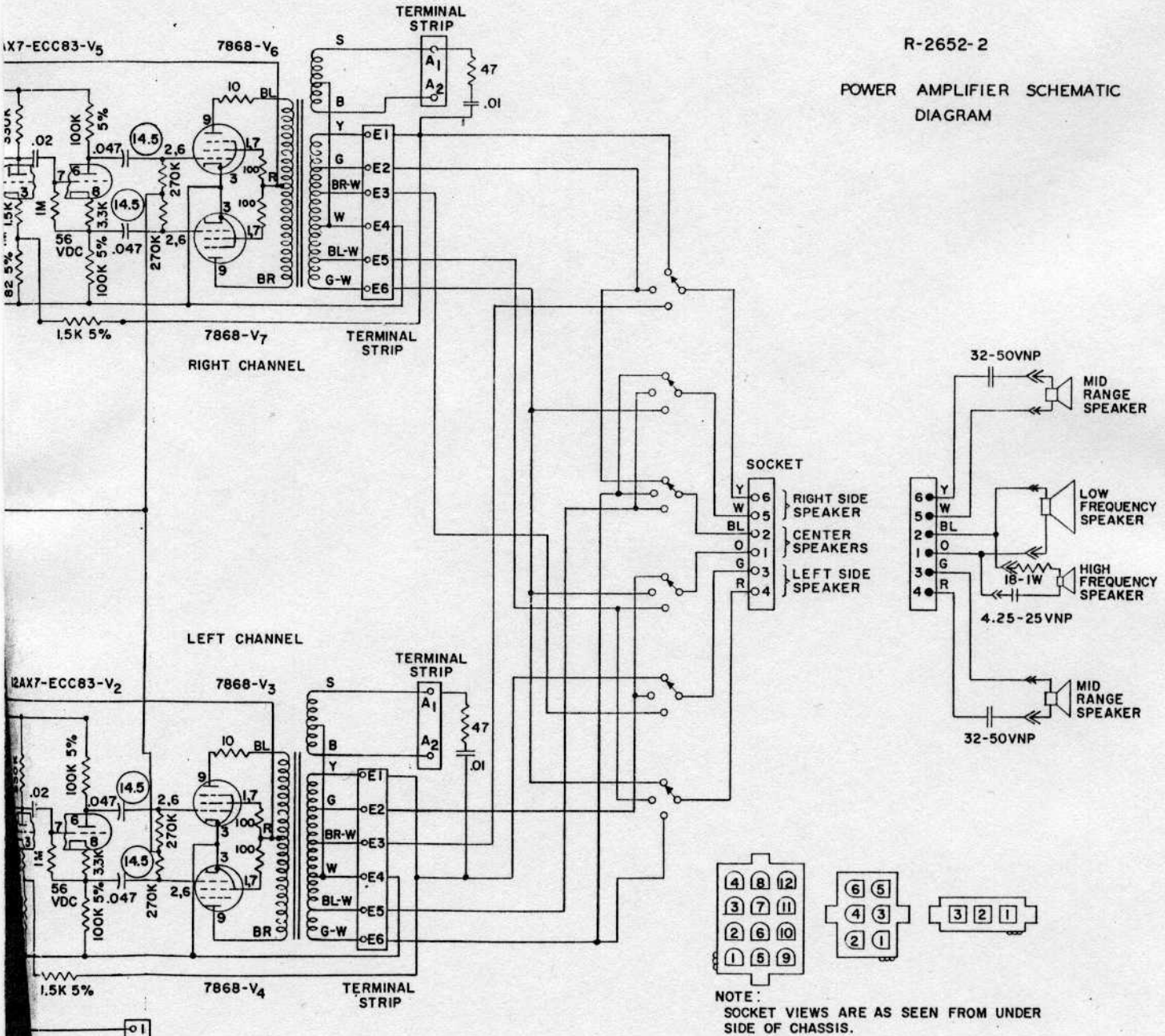


STEREO POWER AMPLIFIER SCHEMATIC DIAGRAM

STEREO POWER AMPLIFIER SCHEMATIC DIAGRAM



NOTE: SOCKET VIEWS ARE AS SEEN FROM UNDER SIDE OF CHASSIS.

D. C. VOLTAGE READINGS									
	PIN #1	PIN #2	PIN #3	PIN #4	PIN #5	PIN #6	PIN #7	PIN #8	PIN #9
V ₁	5U4GB	365		315 V.A.C.		315 V.A.C.		365	
V ₂	12AX7-ECC83	138	0	1.0		280	—	60	
V ₃	7868	365	-15.2	0		-15.2	365		360
V ₄	7868	365	-15.2	0		-15.2	365		360
V ₅	12AX7-ECC83	138	0	1.0		280	—	60	
V ₆	7868	365	-15.2	0		-15.2	365		360
V ₇	7868	365	-15.2	0		-15.2	365		360