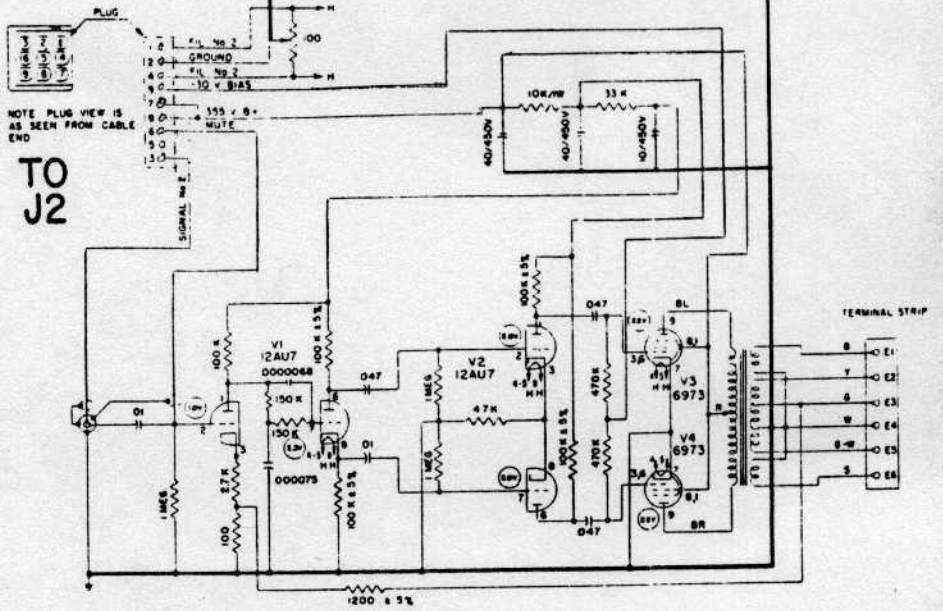
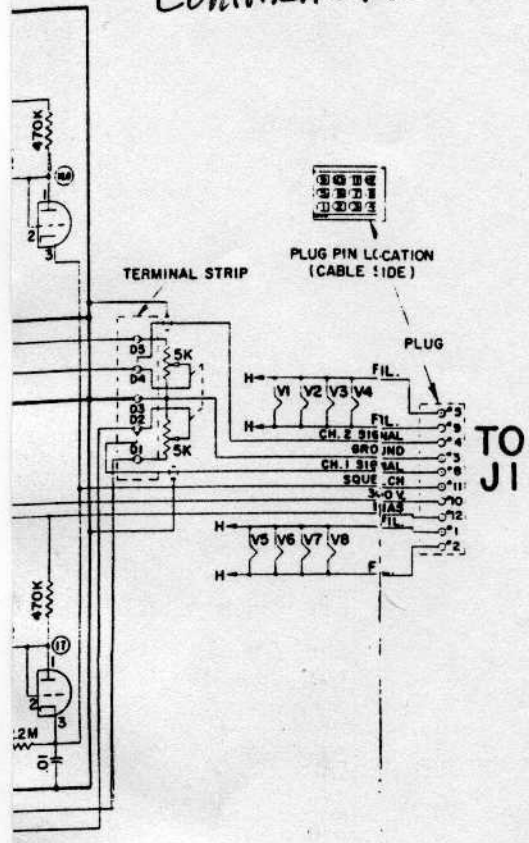


L-2728 ADD-ON POWER AMPLIFIER

Continental Continental 2



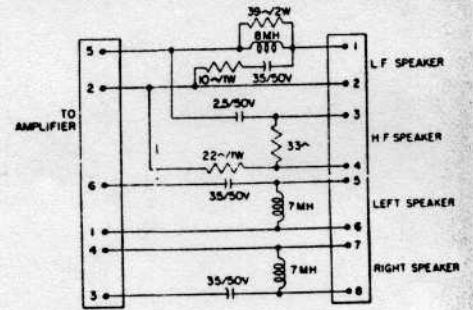
DC VOLTAGE READINGS

	PIN 1	PIN 2	PIN 3	PIN 4	PIN 5	PIN 6	PIN 7	PIN 8	PIN 9
V1 12AU7	84V	0	4.5V		150V	84V	88V		
V2 12AU7	195V	0	11V		195V	0	11V		
V3 6973	355V		-30V		-30V	0	355V	350V	
V4 6973	355V		-30V		-30V	0	355V	350V	

*MEASURED WITH A VTVM.

NOTE: FOR BOTH L-2728 and R-2777
Unless otherwise indicated, DC voltages are measured to ground with a 20,000 ohms per volt meter and no signal input. Line voltage is to be 117 volts. DC measurements taken with no other unit plugged into the H-2777A or B. Signal voltages are encircled in Φ and are measured to ground with an AC VTVM. Signal input is to be 1000 CPS. Capacitance is given in MFD unless otherwise indicated. Resistance is in Ohms unless otherwise indicated. Capacitor voltage ratings are 500 V min unless otherwise indicated. Resistors are 1/2 watt $\pm 10\%$ unless otherwise indicated.

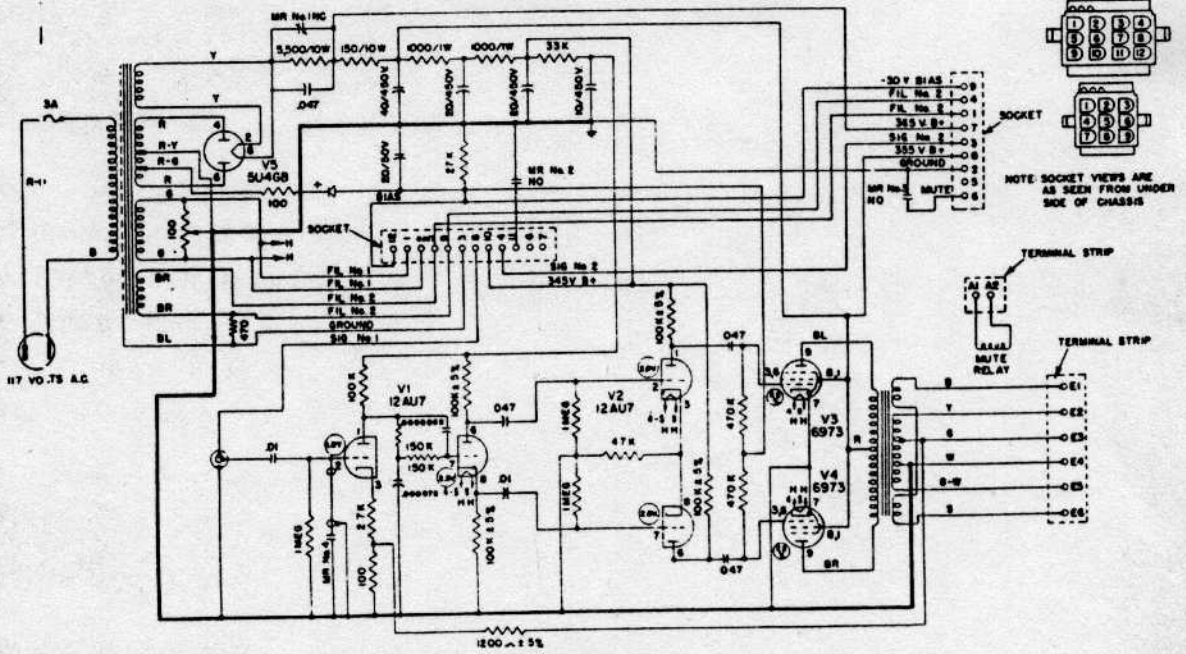
L-2722 B SPEAKER DIVIDING NETWORK



used.
are $\pm 10\%$ unless otherwise noted.
ohms per volt meter, no signal input.
measured with an AC VTVM.
if max. high frequency range

R-2777 BASIC AMPLIFIER

MONAURAL



DC VOLTAGE READINGS

	PIN 1	PIN 2	PIN 3	PIN 4	PIN 5	PIN 6	PIN 7	PIN 8	PIN 9
V1 12AU7	84V	0	4.5V		150V	84V	88V		
V2 12AU7	195V	0	11V		195V	0	11V		
V3 6973	355V		-30V		-30V	0	355V	350V	
V4 6973	355V		-30V		-30V	0	355V	350V	
V5 5U4GB	365V	381 AC			351 AC			365V	

*MEASURED WITH A VTVM

TO J1