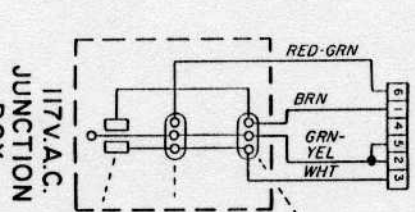
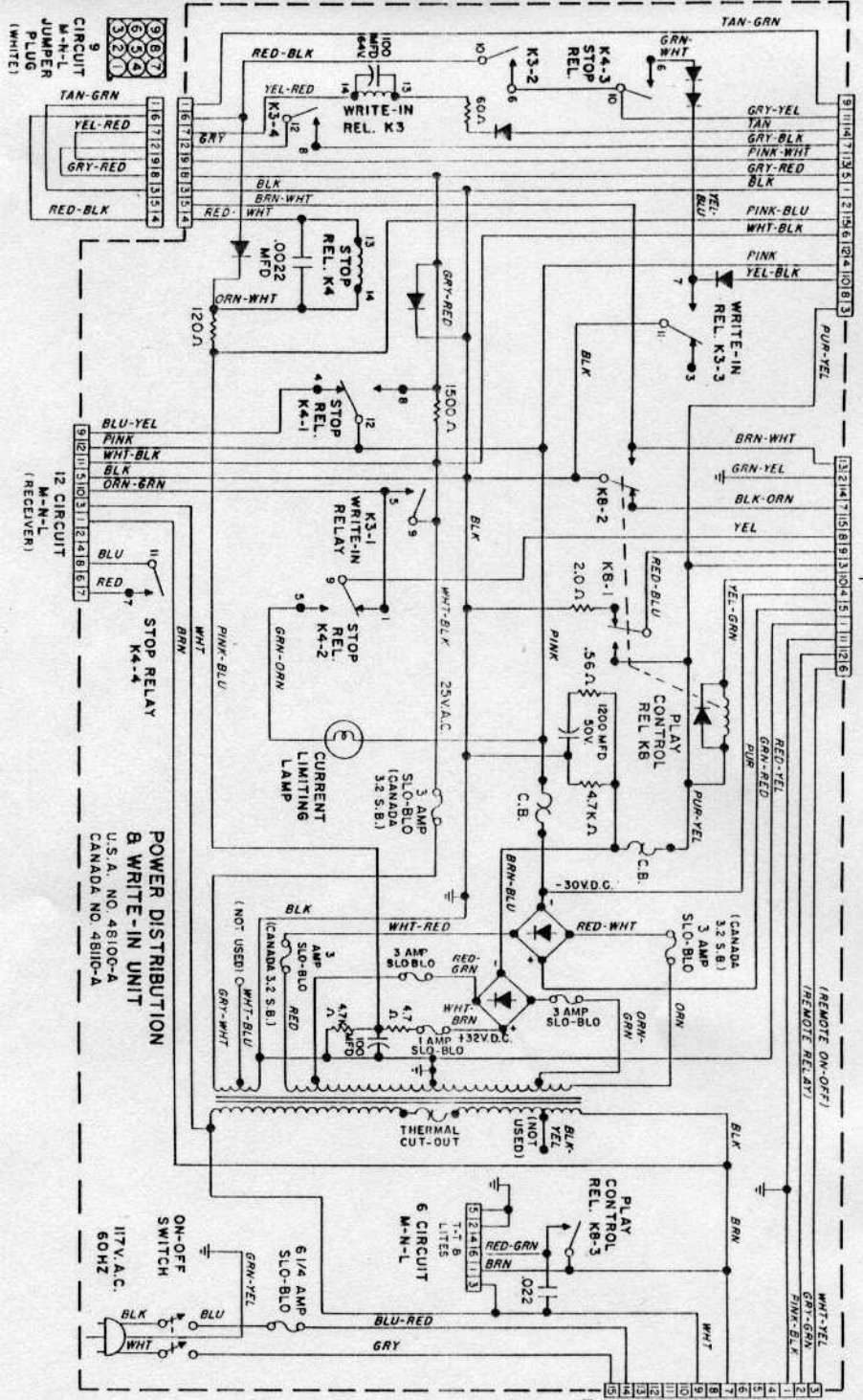
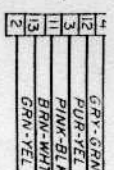
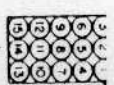


15
CIRCUIT
M-N-L
(WHITE)



15 CIRCUIT
M-N-L
JUMPER
(BLUE)
REMOVE JUMPER
PLUG WHEN REMOTE
MOTOR VOLUME
CONTROL IS USED.

**POWER
SUPPLY**

NOTE:
FOR FOREIGN MODELS SEE SUPPLY
#48673 FOR CIRCUIT VARIATION

Models 444, 450, 451
448, 449

**POWER DISTRIBUTION
& WRITE-IN UNIT**
U.S.A. NO. 48100-A
CANADA NO. 48100-A