

SERVICE NOTES

CAUTION - DO NOT REMOVE OR INSERT INTEGRATED CIRCUITS (I.C.) OR TRANSISTORS WITH POWER ON

ALL RESISTORS IN OHMS AND ALL CAPACITORS IN MFD UNLESS OTHERWISE INDICATED

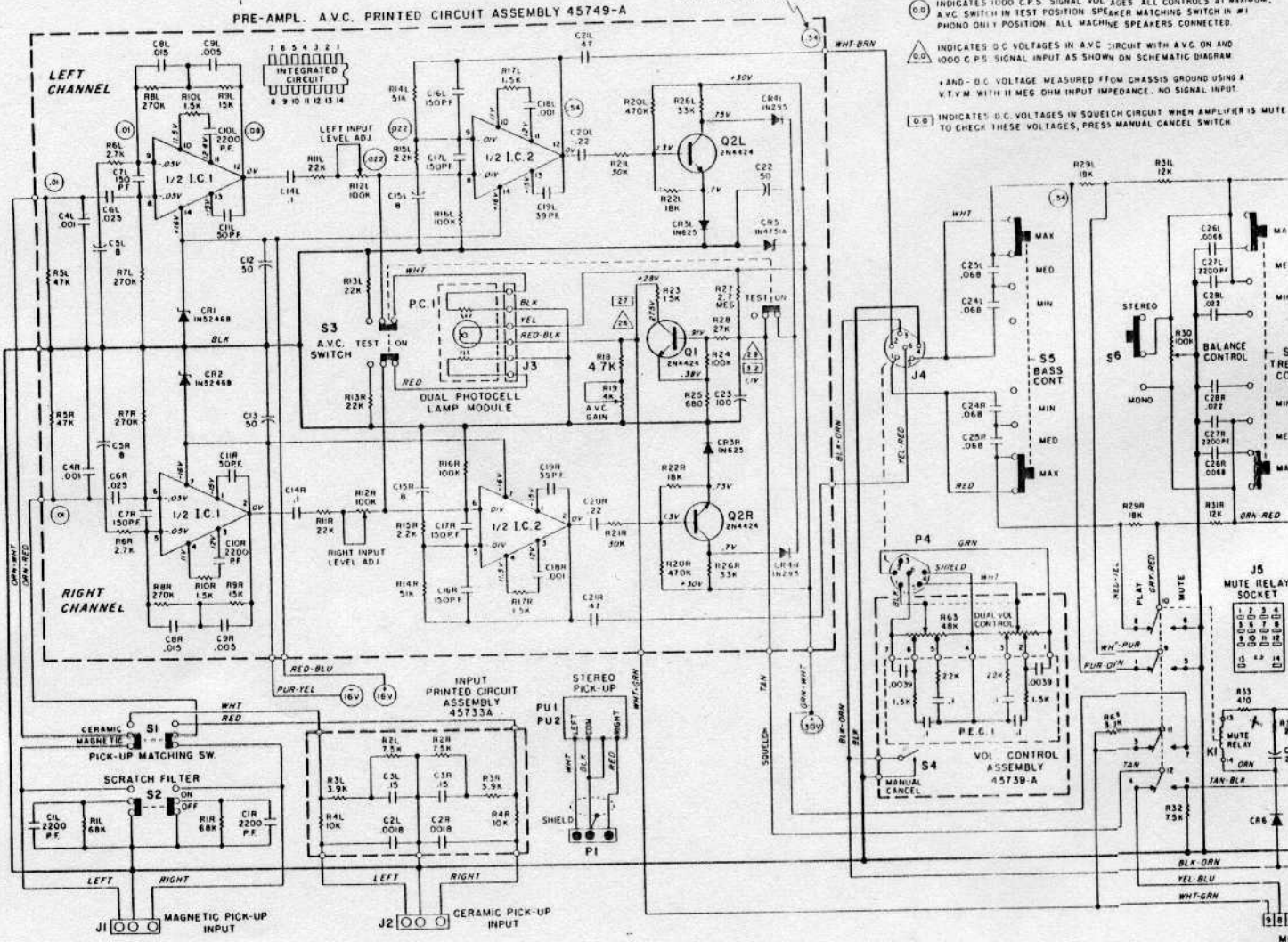
(00) INDICATES 1000 C.P.S. SIGNAL VOL. AGES ALL CONTROLS AT MAXIMUM. A.V.C. SWITCH IN TEST POSITION. SPEAKER MATCHING SWITCH IN #1 PHONO ONLY POSITION. ALL MACHINE SPEAKERS CONNECTED.

(0.0) INDICATES D.C. VOLTAGES IN A.V.C. CIRCUIT WITH A.V.C. ON AND 1000 C.P.S. SIGNAL INPUT AS SHOWN ON SCHEMATIC DIAGRAM

+ AND - D.C. VOLTAGE MEASURED FROM CHASSIS GROUND USING A V.T.V.M. WITH 11 MEG OHM INPUT IMPEDANCE. NO SIGNAL INPUT.

(0.0) INDICATES D.C. VOLTAGES IN SQUELCH CIRCUIT WHEN AMPLIFIER IS MUTE TO CHECK THESE VOLTAGES, PRESS MANUAL CANCEL SWITCH

THIS VOLTAGE TO BE SET FROM R.W.G. STEREO TEST RECORD #1001 WITH INPUT LEVEL ADJ. CONTROLS A.V.C. SWITCH IN TEST POSITION



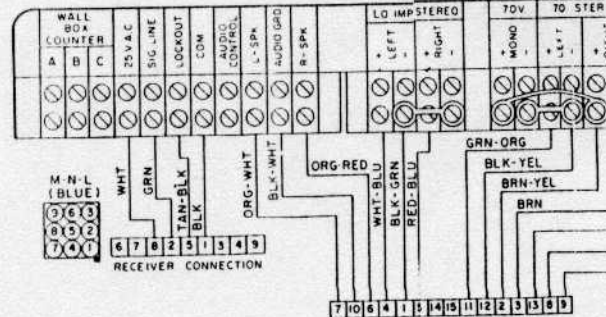
SERVICE AND REPLACEMENT OF COMPONENTS

If trouble should occur that cannot be corrected in the field, the defective unit should be checked with a D.C. V.T.V.M., A.C. V.T.V.M., oscilloscope and audio generator.

All voltages shown on the schematic are with 120 A.C. volt line.

Note: All D.C. voltages are measured with respect to chassis ground. The amplifier power is supplied from the phonograph power supply thru the mechanism and amplifier cable (red plug).

WALL-BOX, AUX. SPEAKER AND REMO. VOLUME CONTROL TERMINAL BLOCK



15 CIRCUIT M-N-L (WHITE) 104708 290004 309028