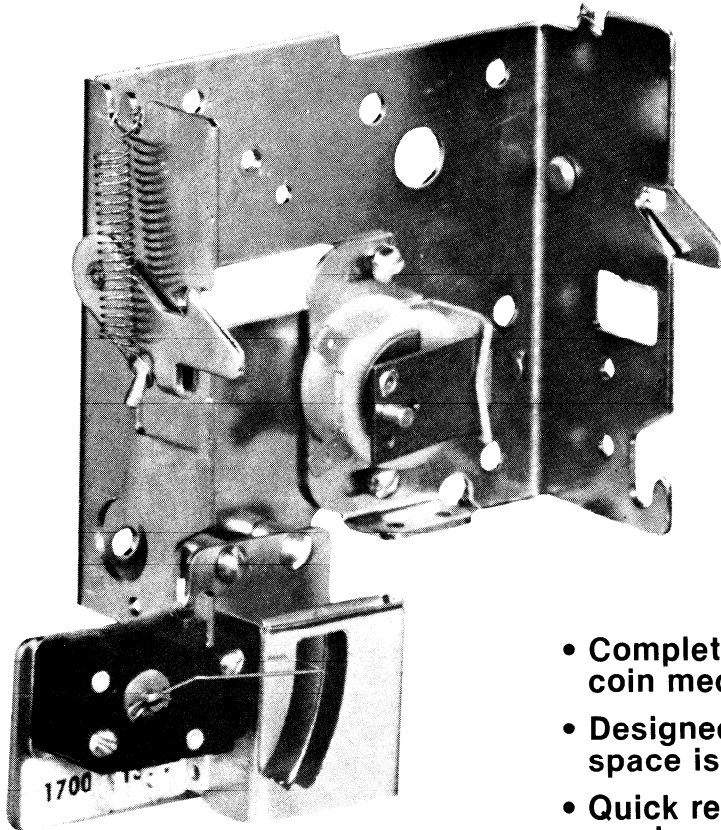
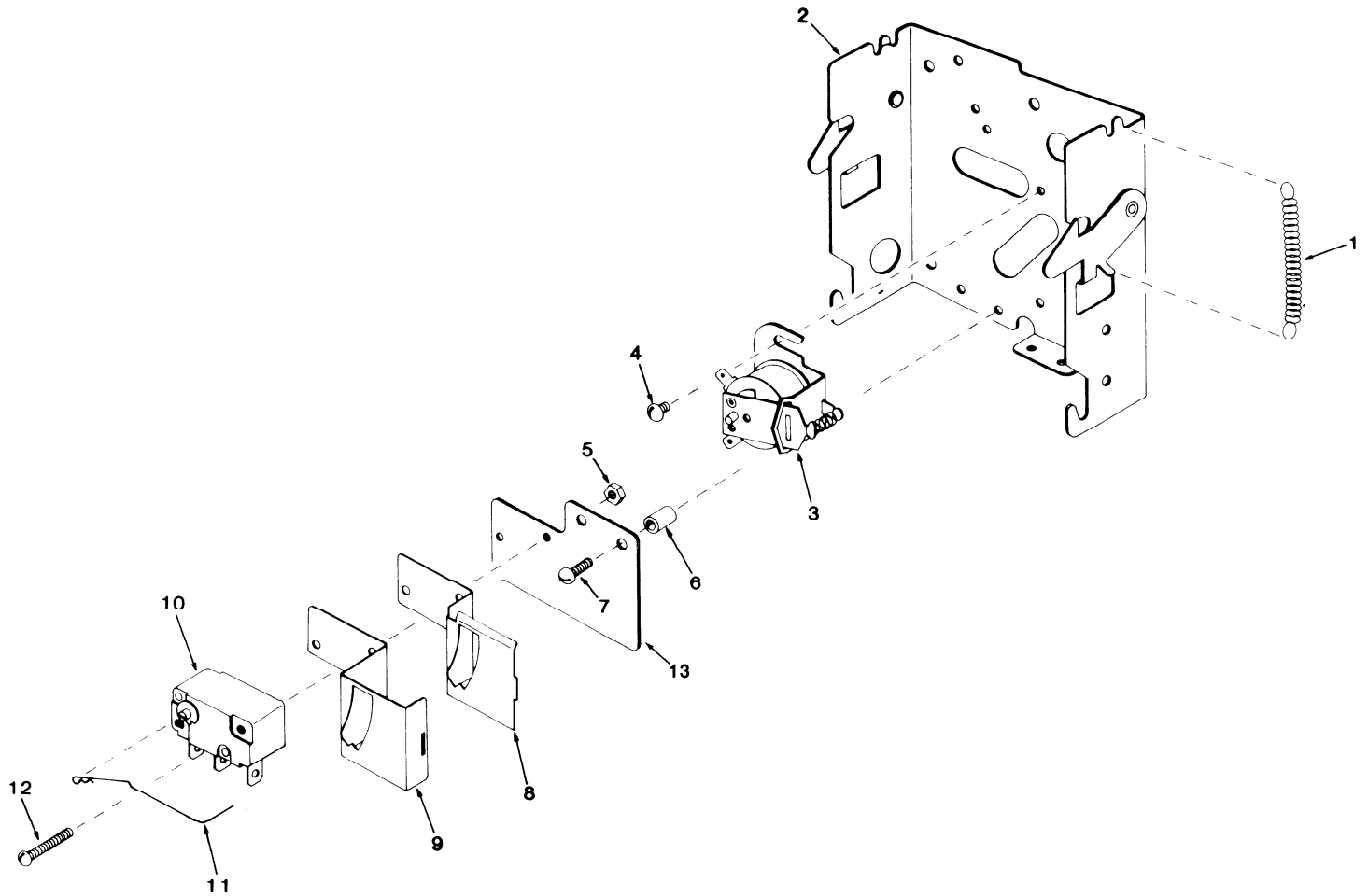

1700 CHANNEL ASSEMBLY



- Complete domestic, foreign and token coin mech systems
- Designed for internal mounting where space is limited
- Quick release latch for easy coin mech removal
- Coin switch a Cherry E51 with clip on wire
- Coin blockout coil
- Can operate on forward and backward angles
- Available with our new Coin Comparitor . . . Simply the Best!



1700-135 5, 8 thru 13 Switch & Chute Ass'y.

DRWG. NO.	PART NO.	DESCRIPTION	QTY.
1	1700-2	Latch Spring	2
2	1700-134	Midget Channel w/ears	1
3.	53	Coil Optional	1
4.	188-6-2	6-32 x 1/8 Rd. Hd. Slot Screw	2
5.	400-4	4-36 Hex Nut	2
6.	1700-5	Spacer	1
7.	100-6-7	6-32 x 7/16 Rd. Hd. Slot Screw	2
8.	1700-7	Lower Switch Chute	1
9.	1700-16	Upper Switch Chute	1
10.	7300-100-1	Blue Switch	1
11.	1700-23-C	25c Clip On Wire	1
12.	100-4-12	4-36 x 3/4 Rd. Hd. Screw	2
13.	1700-6	Switch Plate	1