

100 SERIES MECHANICAL COIN MECHANISM



ADJUSTMENTS

All 100 Series Mechanical Coin Mechanisms leave the factory adjusted for maximum performance. If more critical adjustments are desired, or if the unit has been completely disassembled for service, the following adjustment procedures are recommended:

Set the mechanism with the front of the unit facing you in the test position.

1. Diameter Gauge Adjustment (all mechanisms other than the U.S. Quarter)

Loosen screw, move diameter gauge to the left, insert coin and move diameter gauge to the right until the coin passes, then tighten screw.

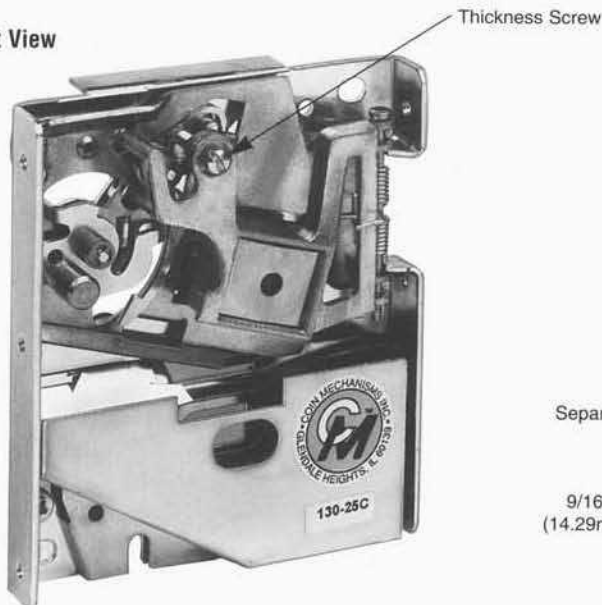
2. Undersize Lever Adjustment (all mechanisms)

With a coin resting in the cradle slowly pivot the coin & cradle toward the undersize lever. The leg of the undersize lever should clear the cradle leg by a 1/16". To increase the clearance of the cradle, slightly bend the tab on the undersize lever toward the cradle.

3. Magnet Casting Thickness Adjustment

Turn thickness screw counter clockwise several turns or until coin, when dropped in, hangs up near the magnet area. Then turn screw clockwise until coin just passes. Then turn screw 1/4 to 1/2 turn more.

Front View



4. Separator Assembly (Dime and Quarter Mechanisms Only)

- 1.) Loosen the screw holding the separator and move as far to the right as it will go. Tighten the screw.
- 2.) Insert several coins and note that some may miss or slightly touch the separator.
- 3.) Loosen the separator screw and move the separator a slight amount to the left. Tighten the screw.
- 4.) Insert the coins again and, if some of them are still returned, repeat Step 3 until all of the coins are accepted.

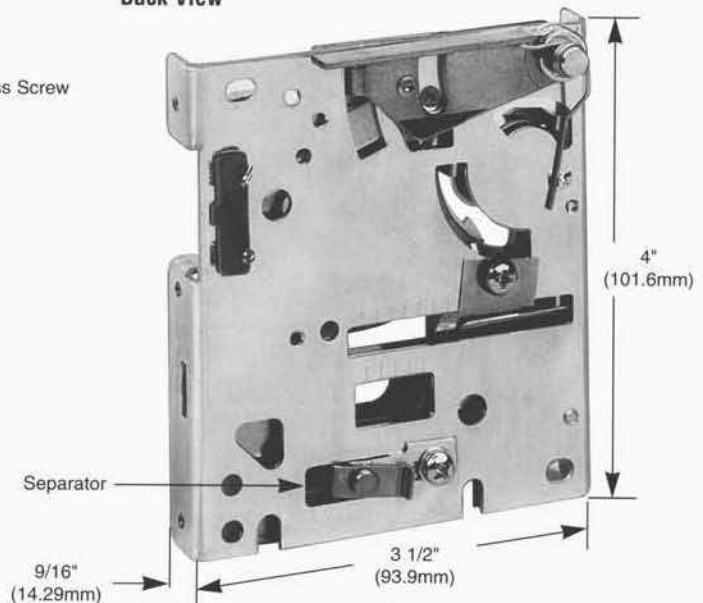
This step is for U.S./Canadian 25¢ mechanisms only.

Serration Detector Assembly

To adjust: A slight pressure downward on the serration spring will enable a greater variety, including smooth edged coins, to be accepted. Should a coin become wedged between the spring and the rail, a slight upward pressure on the spring is advised.

Caution and care must be taken to avoid damage or distortion to the spring.

Back View

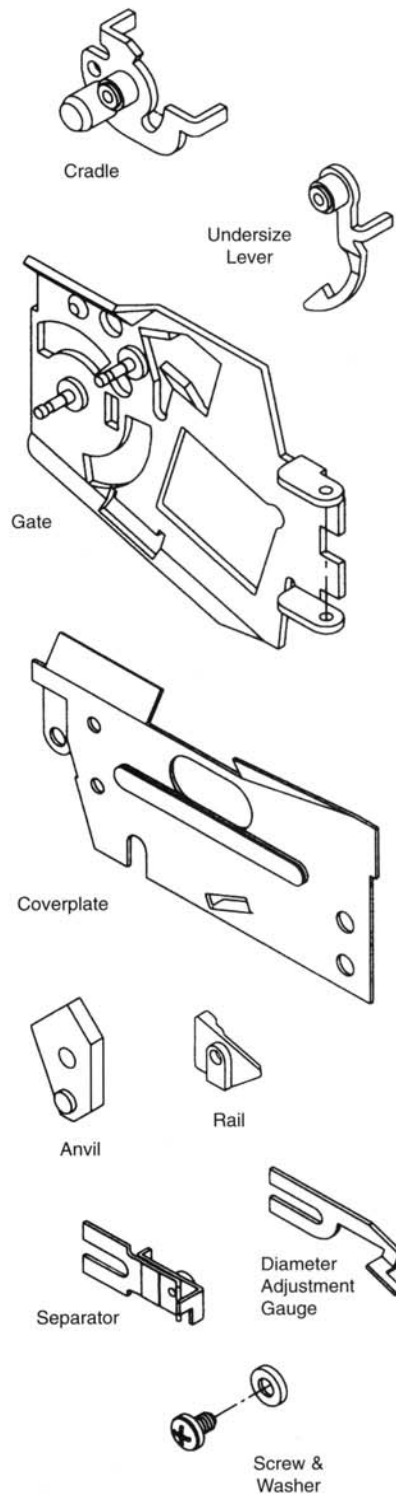


100 SERIES MECHANICAL MECHANISM



CONVERSION INFORMATION

- **To convert from U.S. 25¢ to .984 Brass Token**
 - Replace Cradle with part# 05100081
 - Change to a cut Undersize Lever - part# 05100026
 - For diameter clearance, file down form tab on gate where coin enters in (diagonal "ramp") such that coins will fall between two tabs on the gate
- **To convert from .984 Brass Token to .800 Brass Token**
 - Replace Cradle with part# 05100087
 - Add Full Anvil & screw - Anvil part# 04100046-01 screw part# 114-8-3
 - Replace Coverplate with part# 04100048-02
 - Replace Rail with part# 04100035-00
 - Remove Separator assembly - part# 05100001
 - Adjust diameter gauge at top of gate until it stops any other size coins from entering
- **To convert from U.S. 25¢ to Combo (25¢/.984 Token)**
 - Replace Cradle with part# 05100084
 - Change to a cut Undersize Lever - part# 05100026
 - For diameter clearance, file down form tab on gate where coin enters in (diagonal "ramp") such that coins will fall between two tabs on the gate
- **To convert from .882 Brass Token to .984 Brass Token**
 - Replace Cradle with part# 05100081
- **To convert from U.S. 25¢ to .900 Brass Token**
 - Replace Cradle with part# 05100085
 - Change to an offset Undersize Lever - part# 05100048
 - Change to a staked gate assembly - part# 05100004
 - Add Diameter Adjustment Gauge, screw & washer - diameter adjustment gauge part# 04100019-02 screw part# P-104-4-3, washer part# 600-4
- **To convert from .984 Brass Token to .882 Brass Token**
 - Replace Cradle with part# 05100085
- **To convert from Combo (25¢/.984 Token) to .984 Brass Token Only**
 - Replace Cradle with part# 05100081
 - *Quarters should fall through cradle legs
- **To convert from .984 Brass Token to .900 Brass Token**
 - Replace Cradle with part# 05100085
 - Change to an offset Undersize Lever - part# 05100048



Coin Mechanisms currently offers complete Token Mechanisms for the following common brass token sizes:

.800"	.984"/25¢US (Combo)
.882"	1"
.900"	1-1/8"
.984"	(QST)

*Custom sizes are also available

Coin Mechanisms does **not** manufacture tokens. A list of token manufacturing companies is available. To receive a copy call, write or fax our Sales department; or ask a Sales Associate when placing an order.