

Table of Contents

Table of Contents	Sheet 1A
Marble Madness™ Control Panel Wiring Diagram (043040-01)	Sheet 1B
Marble Madness Cartridge PCB Schematic Diagrams (043026-01), Sheets 2A–5A:	
Power Input	Sheet 2A
Video Microprocessor Program ROM	Sheet 2B
Bank Switch ROM and Speech	Sheet 3A
Sound Program ROM, Graphic Palette Select, Graphic Bank and Picture Select and Playfield/Motion Object Graphic Data Multiplexer	Sheet 3B
Plane 0 and 1 Graphic ROM, Plane 0 Shifters, and Plane 1 Shifters	Sheet 4A
Plane 2 and 3 Graphic ROM, Plane 2 Shifters, and Plane 3 Shifters*	Sheet 4B
Plane 4 Shifters and Plane 5 Shifters	Sheet 5A
Marble Madness Coupler PCB Schematic Diagram	Sheet 5B

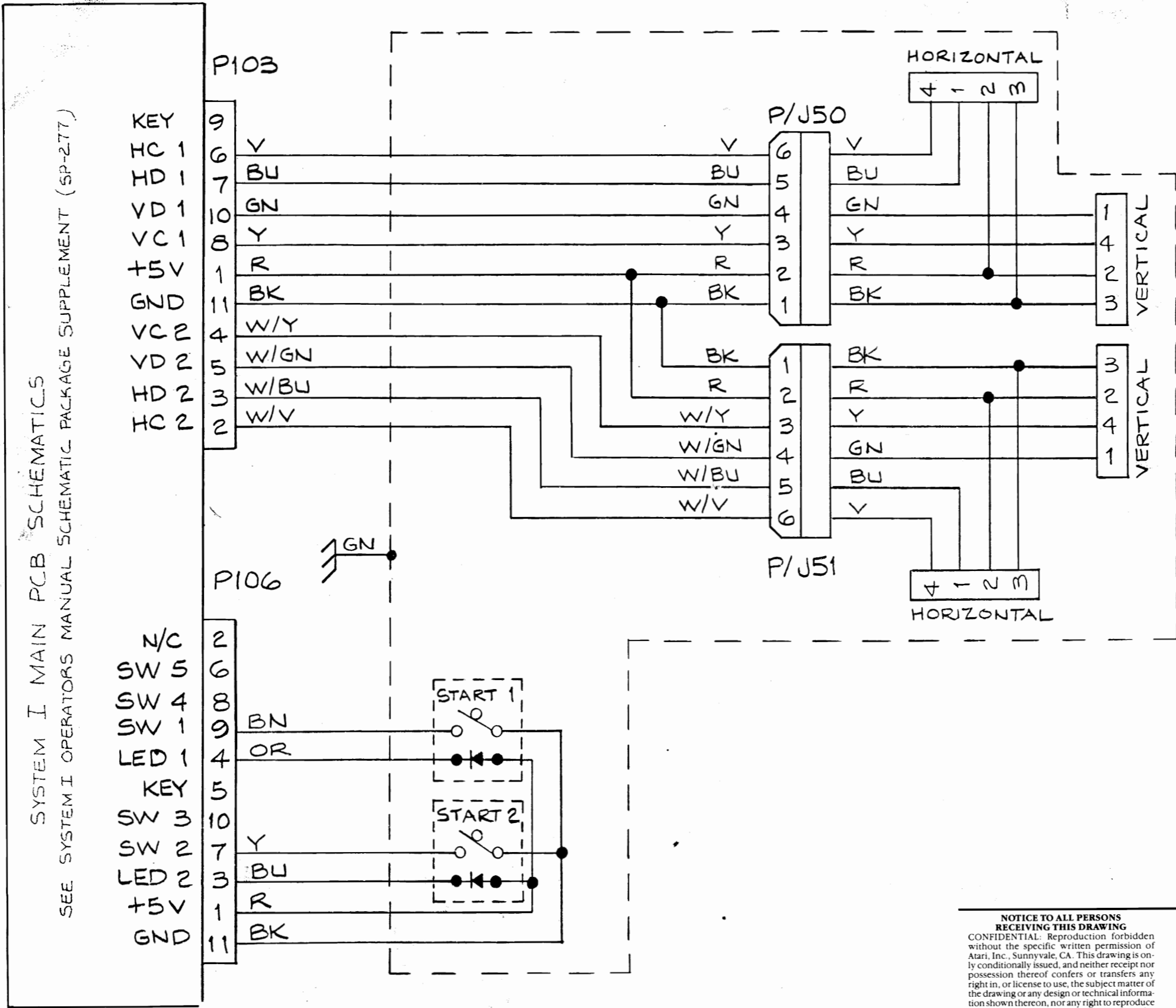
Schematic Package Supplement to



Operators Manual

NOTE
This staple temporarily holds the schematic package together. Remove the staple before using these schematics.





NOTE

See the System I™ Operators Manual Schematic Package Supplement (SP-277) for the System I cabinet main wiring diagram.

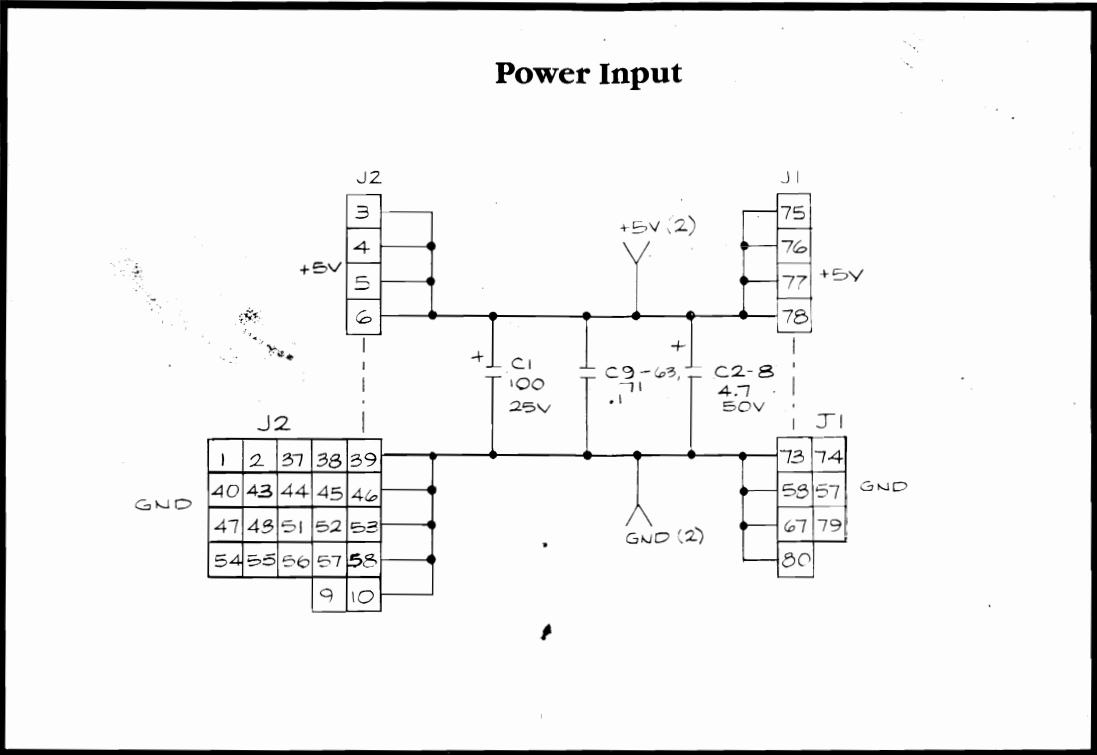
NOTICE TO ALL PERSONS RECEIVING THIS DRAWING
 CONFIDENTIAL: Reproduction forbidden without the specific written permission of Atari, Inc., Sunnyvale, CA. This drawing is only conditionally issued, and neither receipt nor possession thereof confers or transfers any right in, or license to use, the subject matter of the drawing or any design or technical information shown thereon, nor any right to reproduce this drawing or any part thereof. Except for manufacture by vendors of Atari, Inc., and for manufacture under the corporation's written license, no right is granted to reproduce this drawing or the subject matter thereof, unless by written agreement with or written permission from the corporation.

**Marble Madness™
Control Panel Wiring Diagram**



A Warner Communications Company

© ATARI INC. 1984



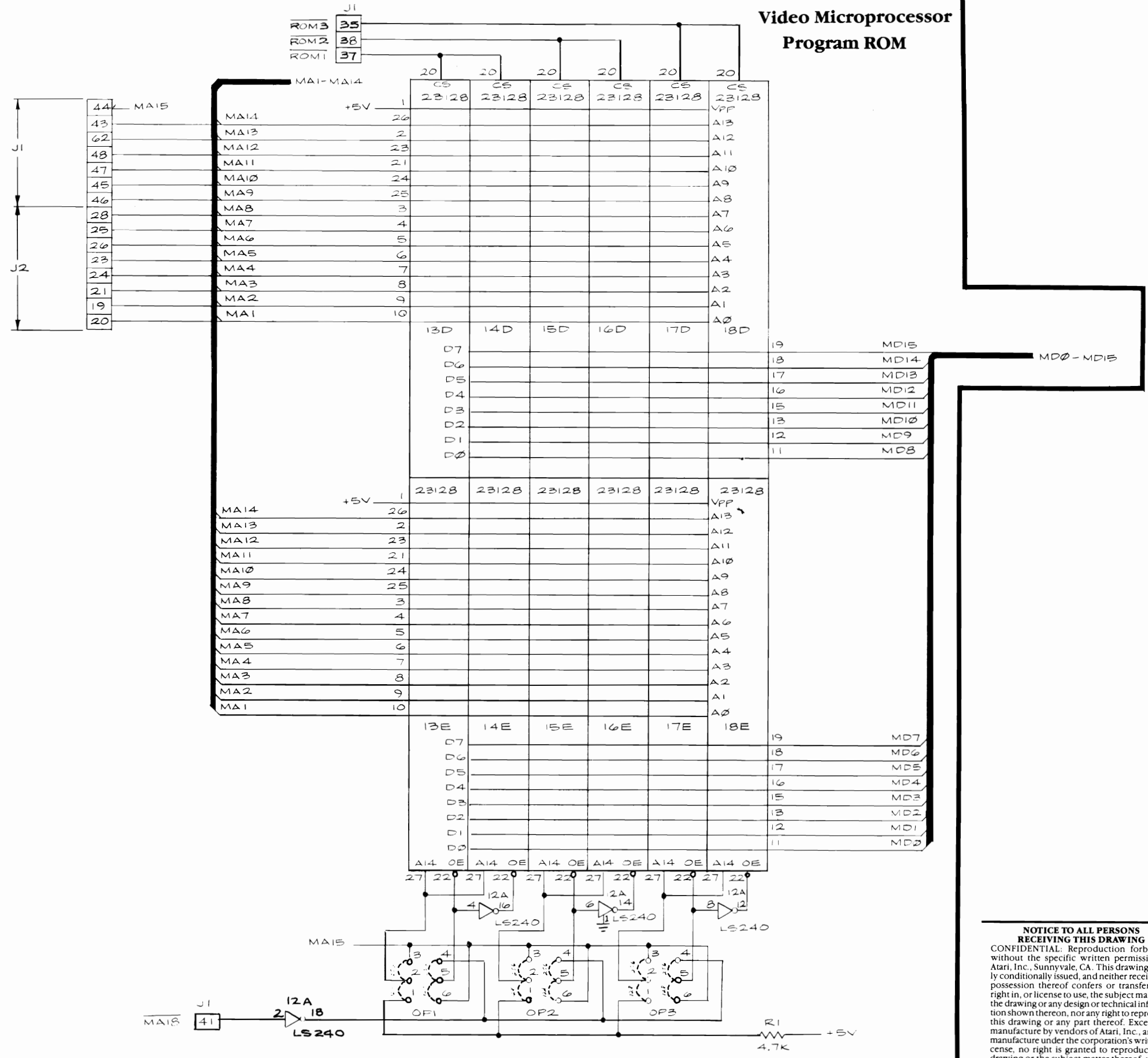
NOTICE TO ALL PERSONS RECEIVING THIS DRAWING
 CONFIDENTIAL: Reproduction forbidden without the specific written permission of Atari, Inc., Sunnyvale, CA. This drawing is only conditionally issued, and neither receipt nor possession thereof confers or transfers any right in, or license to use, the subject matter of the drawing or any design or technical information shown thereon, nor any right to reproduce this drawing or any part thereof. Except for manufacture by vendors of Atari, Inc., and for manufacture under the corporation's written license, no right is granted to reproduce this drawing or the subject matter thereof, unless by written agreement with or written permission from the corporation.

Marble Madness™ Cartridge PCB Schematic Diagram



© ATARI INC. 1984

**Video Microprocessor
Program ROM**

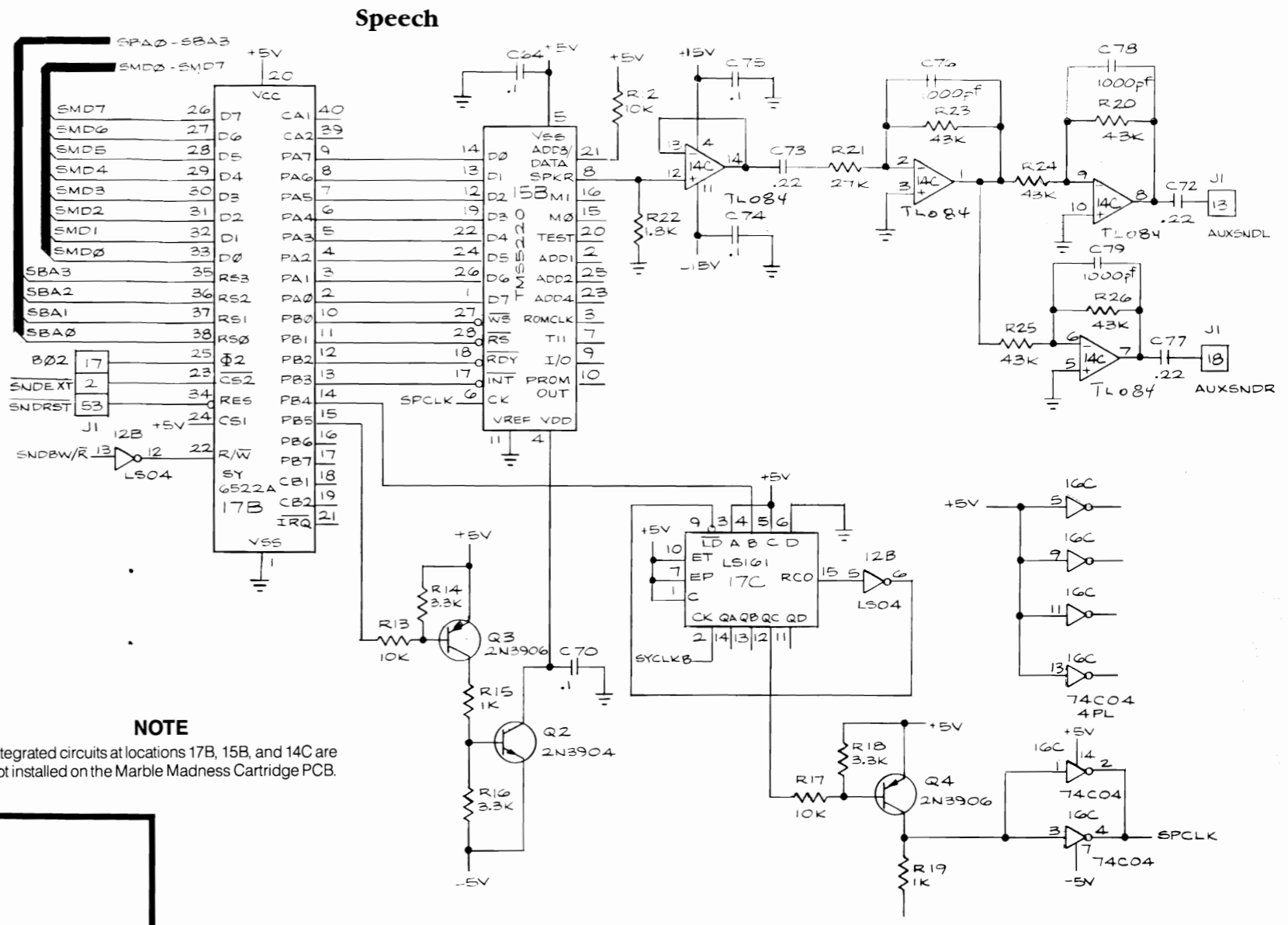
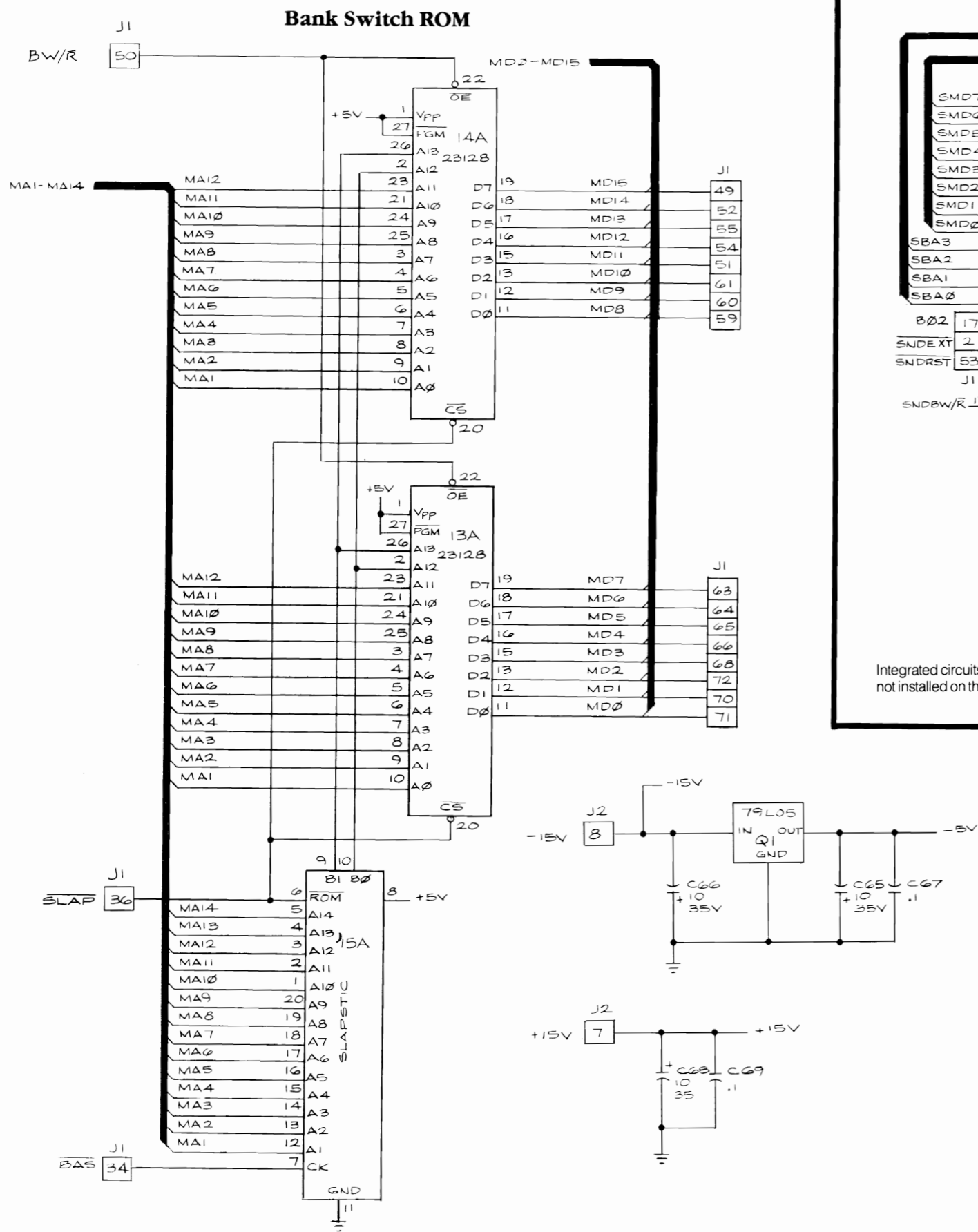


**NOTICE TO ALL PERSONS
RECEIVING THIS DRAWING**
CONFIDENTIAL: Reproduction forbidden without the specific written permission of Atari, Inc., Sunnyvale, CA. This drawing is only conditionally issued, and neither receipt nor possession thereof confers or transfers any right in, or license to use, the subject matter of the drawing or any design or technical information shown thereon, nor any right to reproduce this drawing or any part thereof. Except for manufacture by vendors of Atari, Inc., and for manufacture under the corporation's written license, no right is granted to reproduce this drawing or the subject matter thereof, unless by written agreement with or written permission from the corporation.

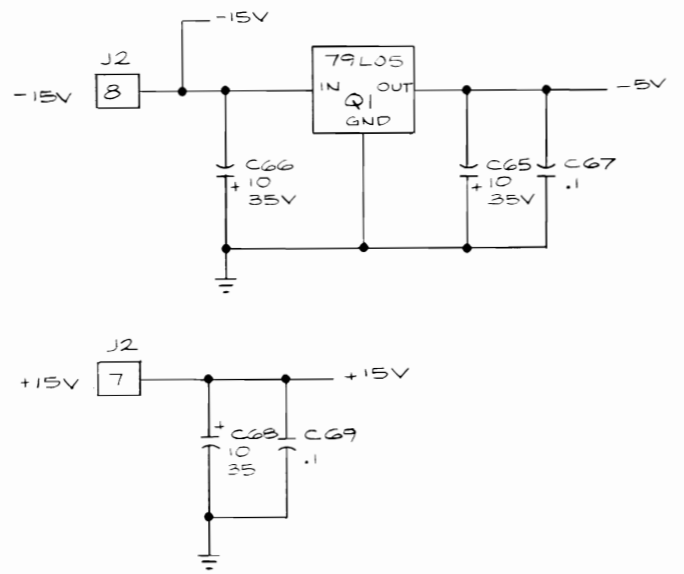
**Marble Madness™ Cartridge PCB
Schematic Diagram**



© ATARI INC. 1984



NOTE
Integrated circuits at locations 17B, 15B, and 14C are not installed on the Marble Madness Cartridge PCB.



NOTICE TO ALL PERSONS RECEIVING THIS DRAWING
CONFIDENTIAL: Reproduction forbidden without the specific written permission of Atari, Inc., Sunnyvale, CA. This drawing is only conditionally issued, and neither receipt nor possession thereof confers or transfers any right in, or license to use, the subject matter of the drawing or any design or technical information shown thereon, nor any right to reproduce this drawing or any part thereof. Except for manufacture by vendors of Atari, Inc., and for manufacture under the corporation's written license, no right is granted to reproduce this drawing or the subject matter thereof, unless by written agreement with or written permission from the corporation.

Marble Madness™ Cartridge PCB Schematic Diagram

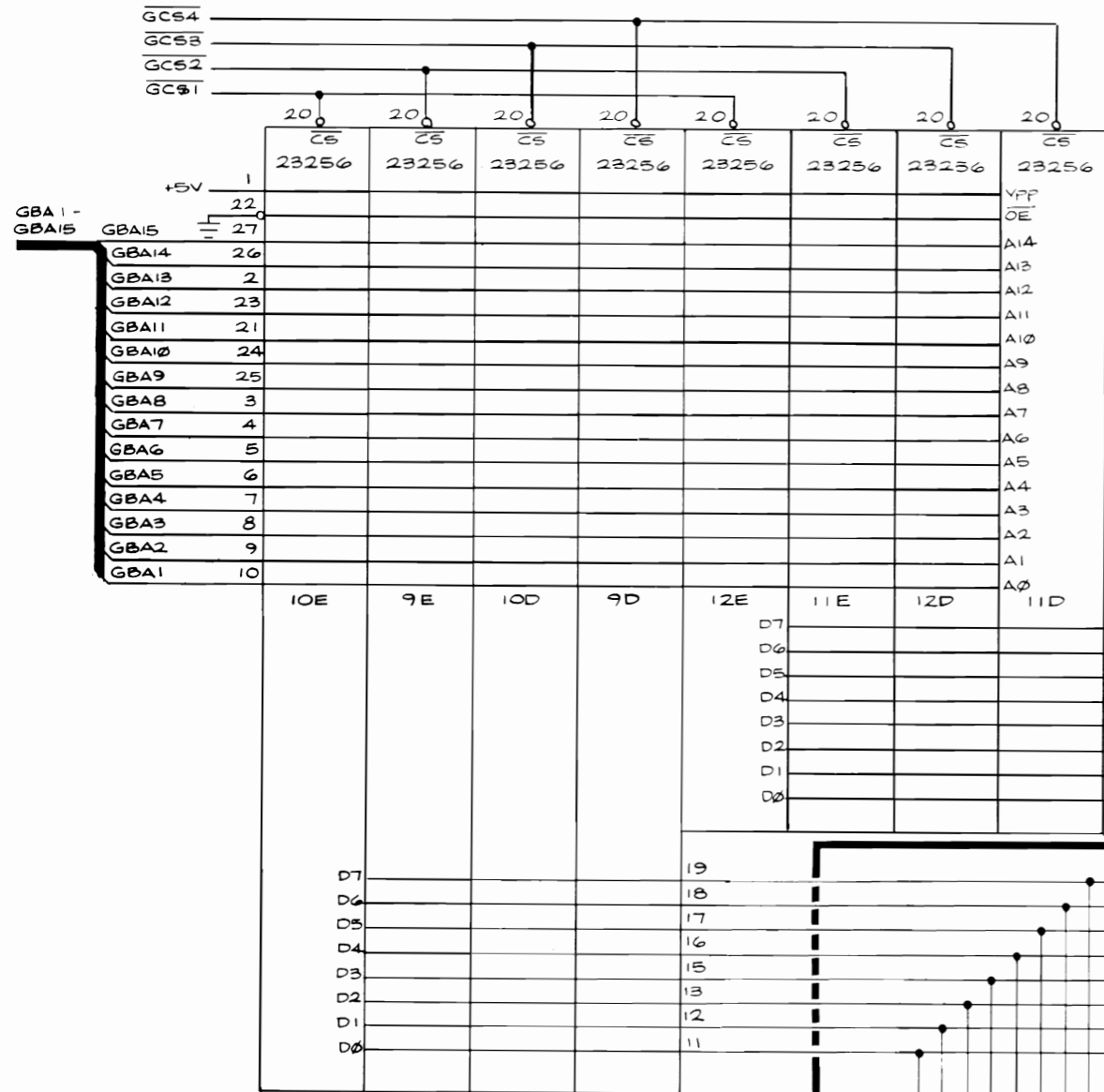


A Warner Communications Company

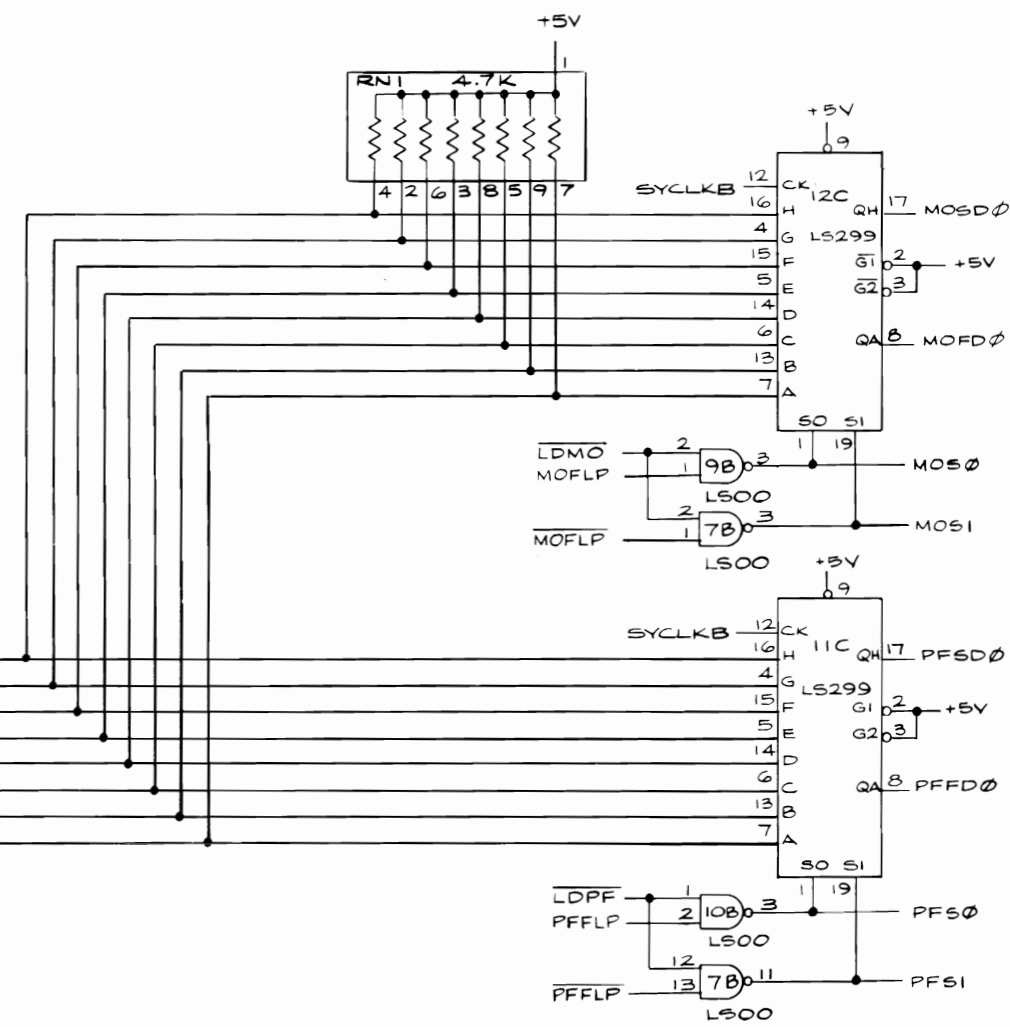
© ATARI INC. 1984

SP-276 Sheet 3A
1st printing

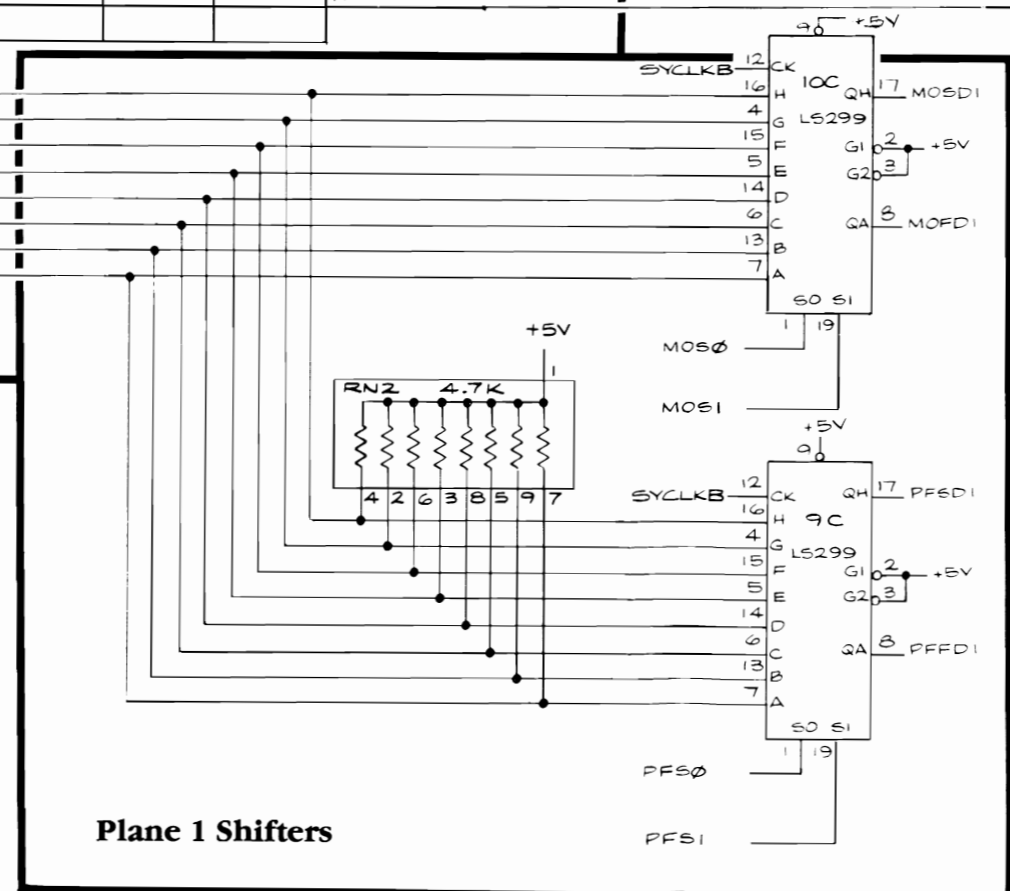
Plane 0 and 1 Graphic ROM



Plane 0 Shifters



Plane 1 Shifters



NOTICE TO ALL PERSONS RECEIVING THIS DRAWING
 CONFIDENTIAL: Reproduction forbidden without the specific written permission of Atari, Inc., Sunnyvale, CA. This drawing is only conditionally issued, and neither receipt nor possession thereof confers or transfers any right in, or license to use, the subject matter of the drawing or any design or technical information shown thereon, nor any right to reproduce this drawing or any part thereof. Except for manufacture by vendors of Atari, Inc., and for manufacture under the corporation's written license, no right is granted to reproduce this drawing or the subject matter thereof, unless by written agreement with or written permission from the corporation.

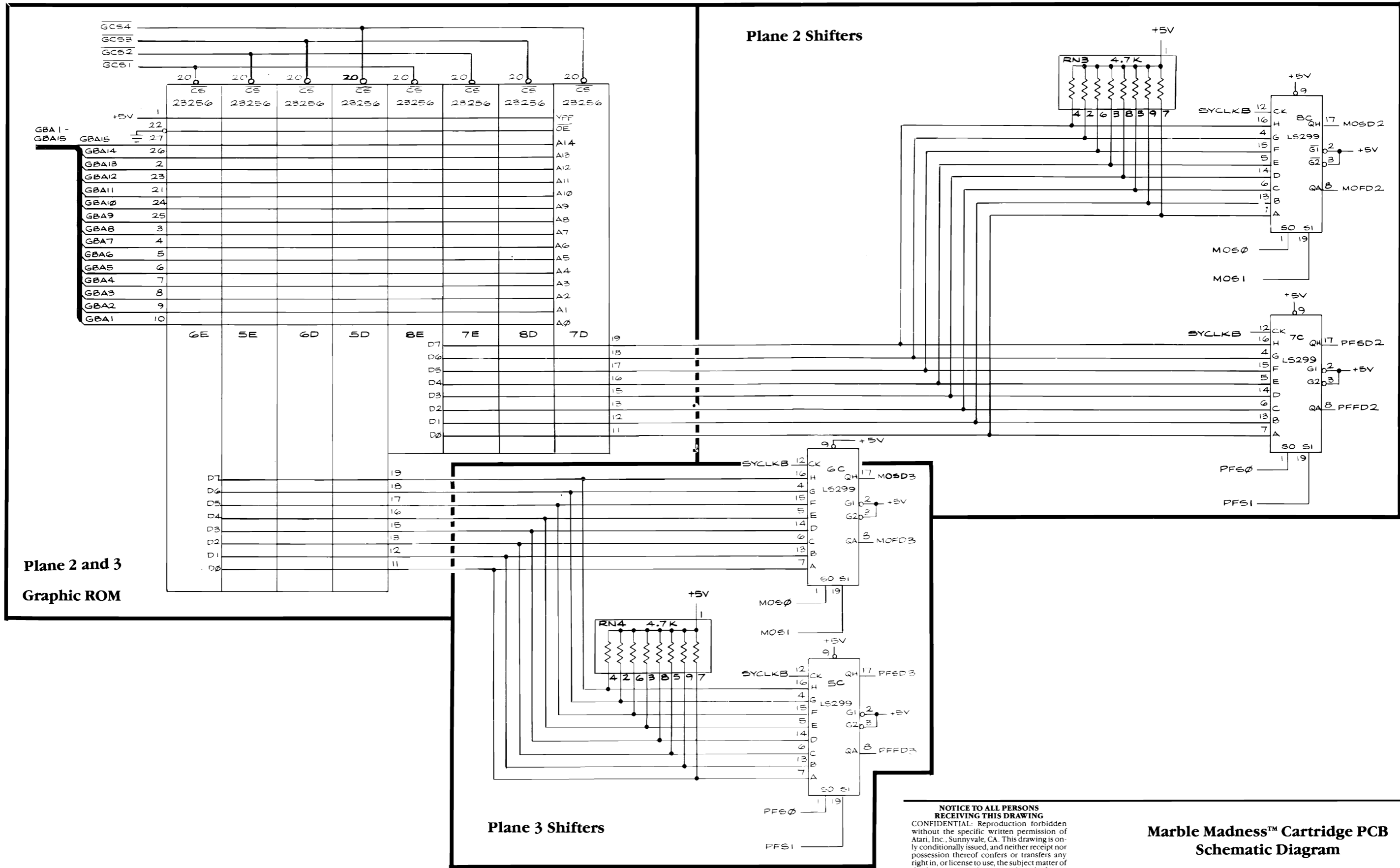
Marble Madness™ Cartridge PCB Schematic Diagram



A Warner Communications Company

© ATARI INC. 1984

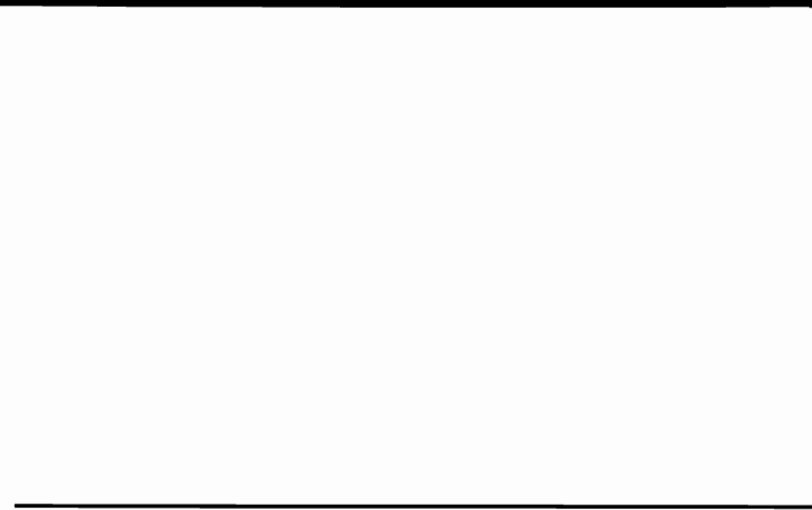
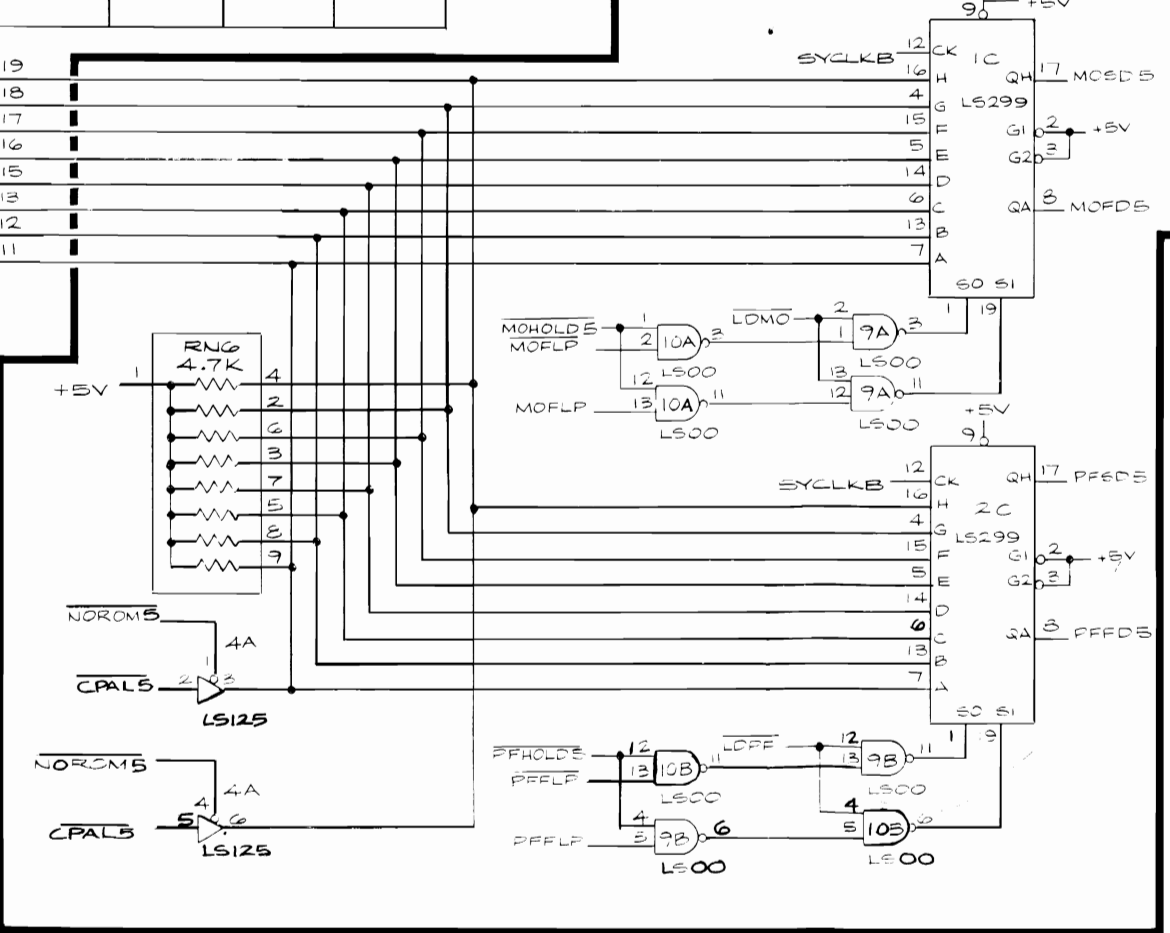
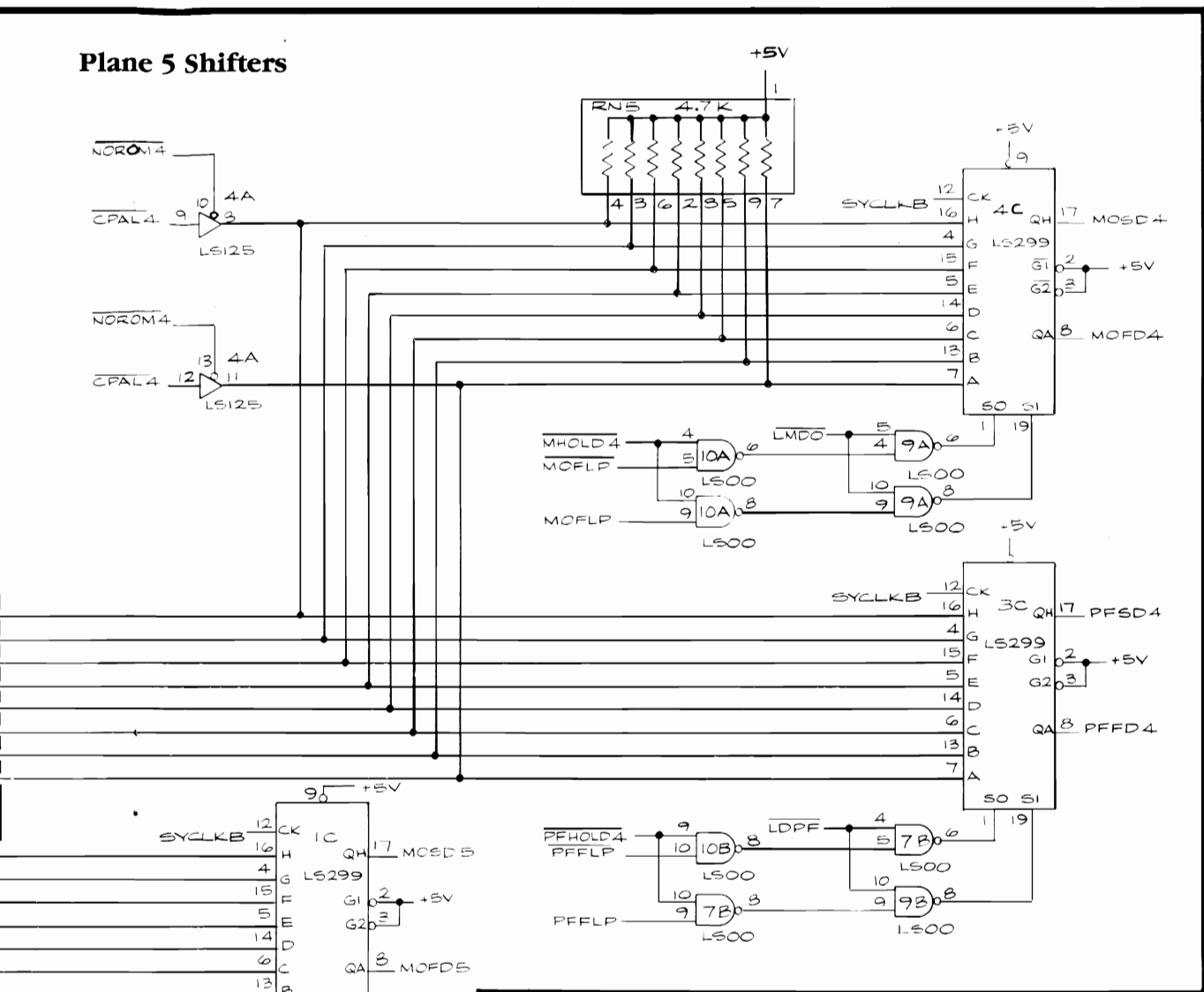
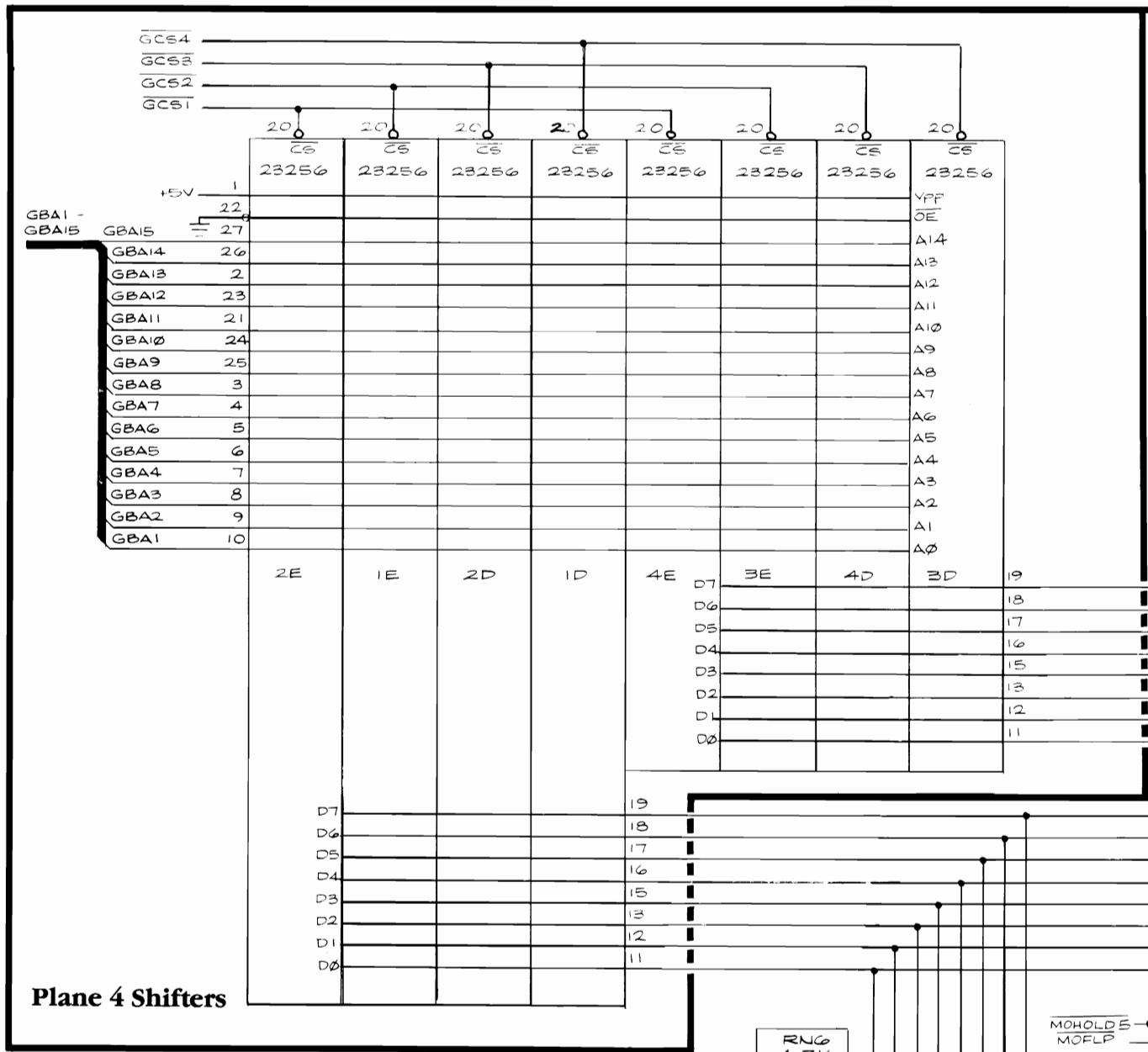
SP-276 Sheet 4A
 1st printing



NOTICE TO ALL PERSONS RECEIVING THIS DRAWING
 CONFIDENTIAL: Reproduction forbidden without the specific written permission of Atari, Inc., Sunnyvale, CA. This drawing is only conditionally issued, and neither receipt nor possession thereof confers or transfers any right in, or license to use, the subject matter of the drawing or any design or technical information shown thereon, nor any right to reproduce this drawing or any part thereof. Except for manufacture by vendors of Atari, Inc., and for manufacture under the corporation's written license, no right is granted to reproduce this drawing or the subject matter thereof, unless by written agreement with or written permission from the corporation.

Marble Madness™ Cartridge PCB Schematic Diagram





Plane 4 Shifters

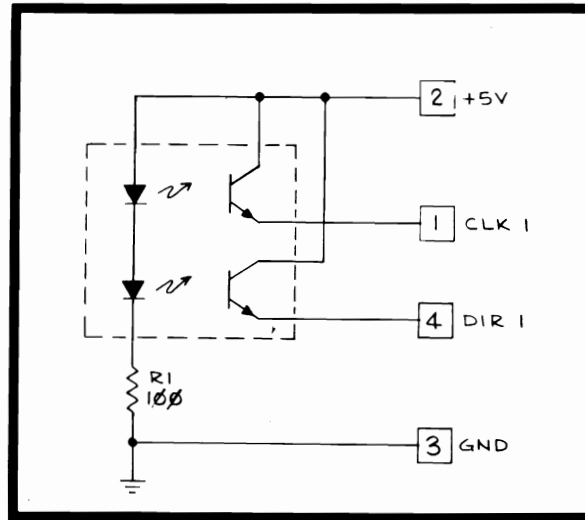
Plane 5 Shifters

NOTICE TO ALL PERSONS RECEIVING THIS DRAWING

CONFIDENTIAL: Reproduction forbidden without the specific written permission of Atari, Inc., Sunnyvale, CA. This drawing is only conditionally issued, and neither receipt nor possession thereof confers or transfers any right in, or license to use, the subject matter of the drawing or any design or technical information shown thereon, nor any right to reproduce this drawing or any part thereof. Except for manufacture by vendors of Atari, Inc., and for manufacture under the corporation's written license, no right is granted to reproduce this drawing or the subject matter thereof, unless by written agreement with or written permission from the corporation.

Marble Madness™ Cartridge PCB Schematic Diagram





**NOTICE TO ALL PERSONS
RECEIVING THIS DRAWING**

CONFIDENTIAL: Reproduction forbidden without the specific written permission of Atari, Inc., Sunnyvale, CA. This drawing is only conditionally issued, and neither receipt nor possession thereof confers or transfers any right in, or license to use, the subject matter of the drawing or any design or technical information shown thereon, nor any right to reproduce this drawing or any part thereof. Except for manufacture by vendors of Atari, Inc., and for manufacture under the corporation's written license, no right is granted to reproduce this drawing or the subject matter thereof, unless by written agreement with or written permission from the corporation.

**Marble Madness™ Coupler PCB
Schematic Diagram**



A Warner Communications Company

© ATARI INC. 1984

SP-276 Sheet 5B
1st printing