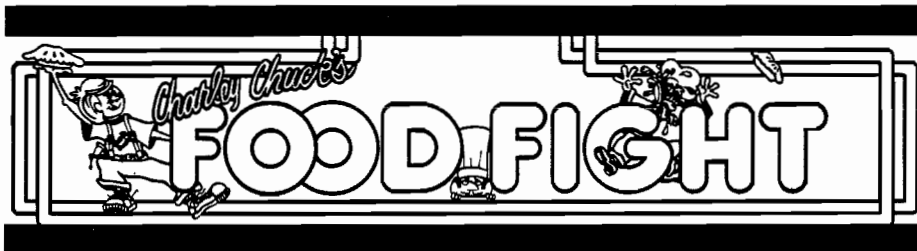




## Supplement to the



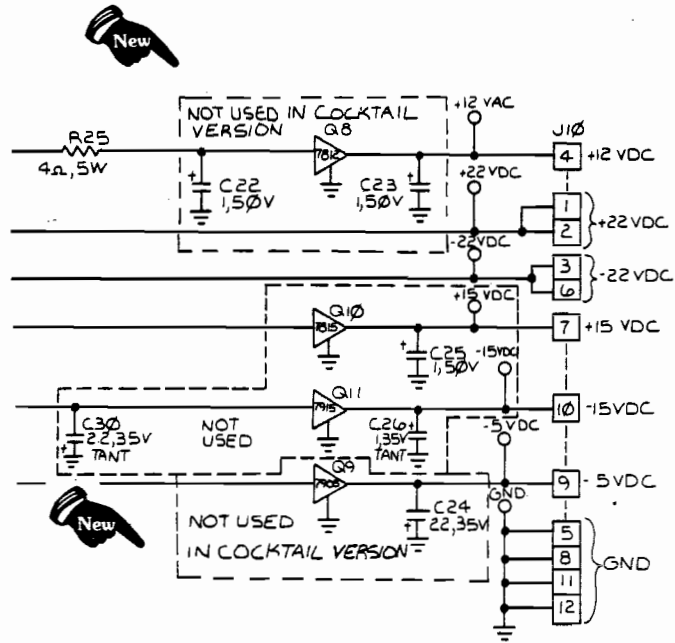
## Schematic Package (SP-229)

This Supplement shows changes that have been made to the Food Fight schematics.  
Please insert this Supplement into your Schematic Package for future reference.

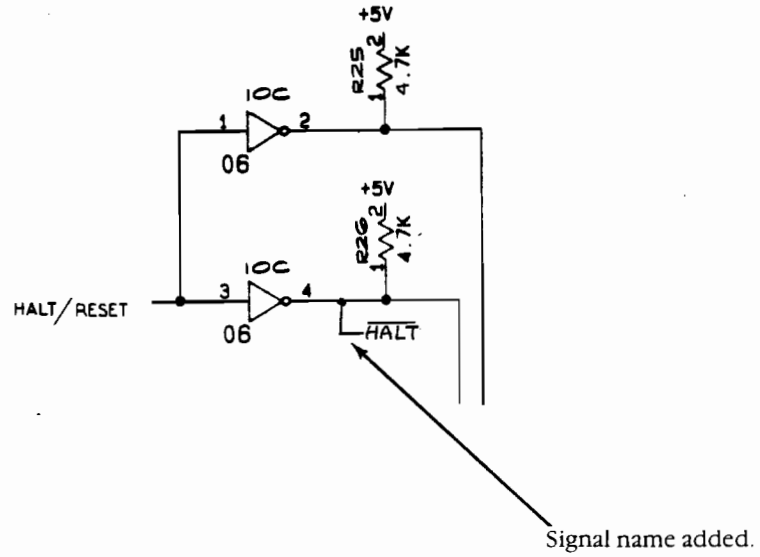




**SHEET 2B**

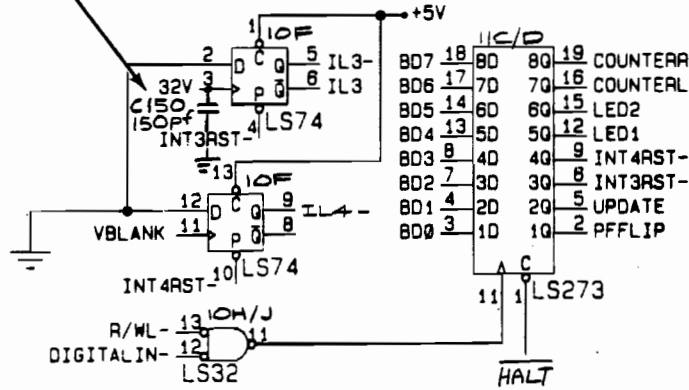


**SHEET 4B**



**SHEET 5A**

C60, 120 pF changed to C150, 15 pF.



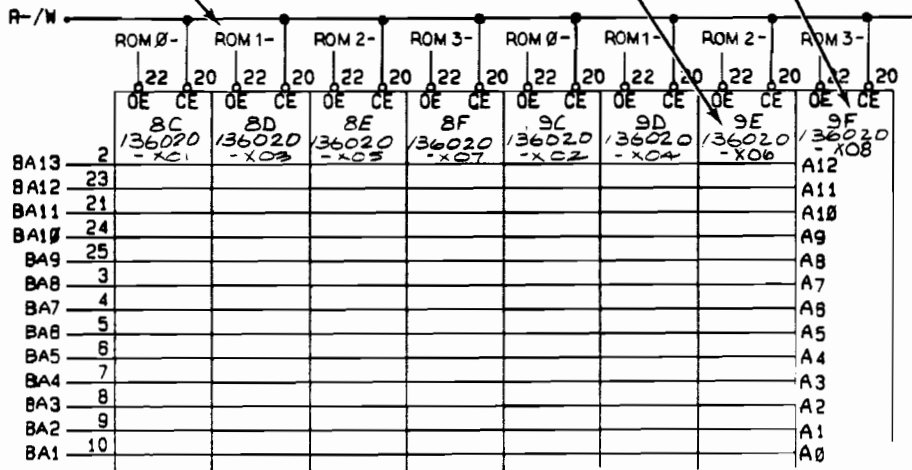
R58 and C50 were deleted. Signal changed to HALT.

**SHEET 6A**

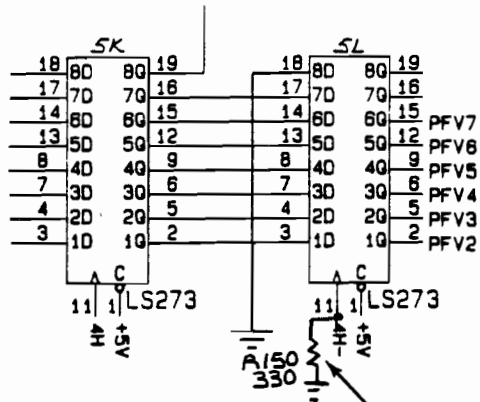
Signal names ROM 0-3 changed from pin 20 to pin 22.

IC 9E changed to 136020-X06.

IC 9F changed to 136020-X08.



**SHEET 7A**



R79, 330 changed to R150, 330.

**SHEET 8A**

IC 4E changed to 136020-110.

IC 4D changed to 136020-111.

