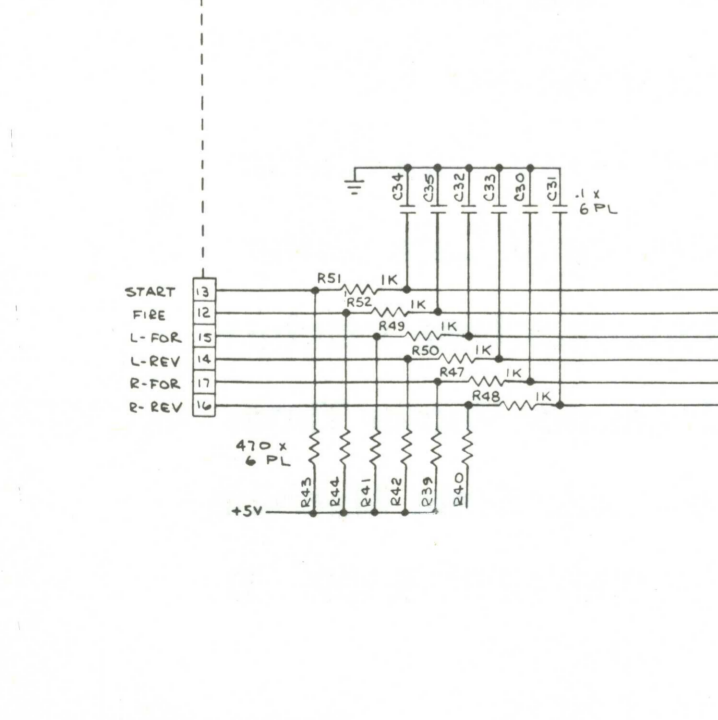
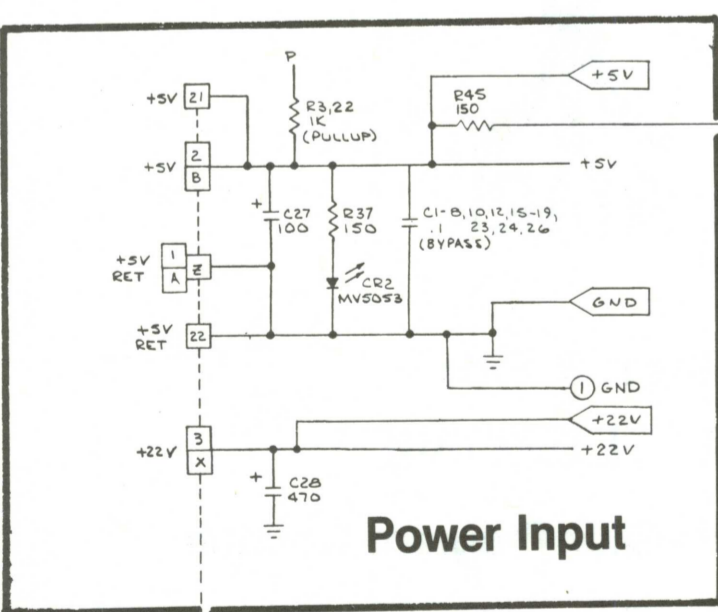
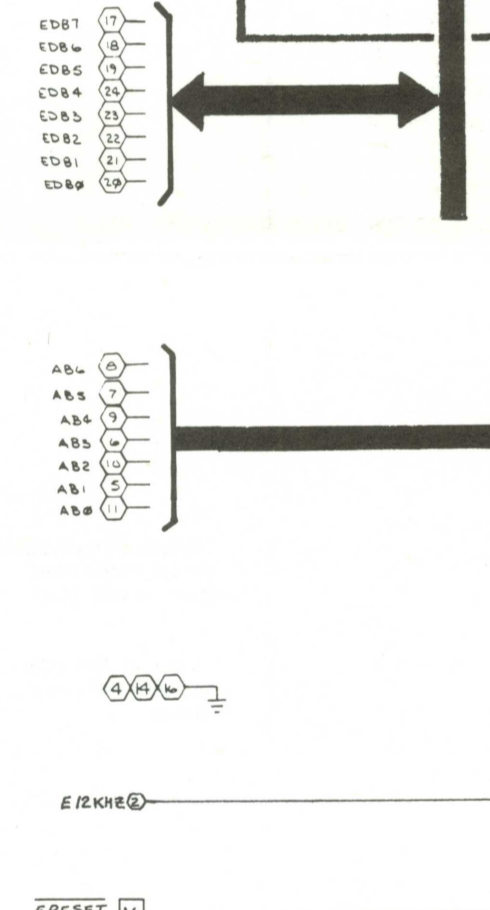
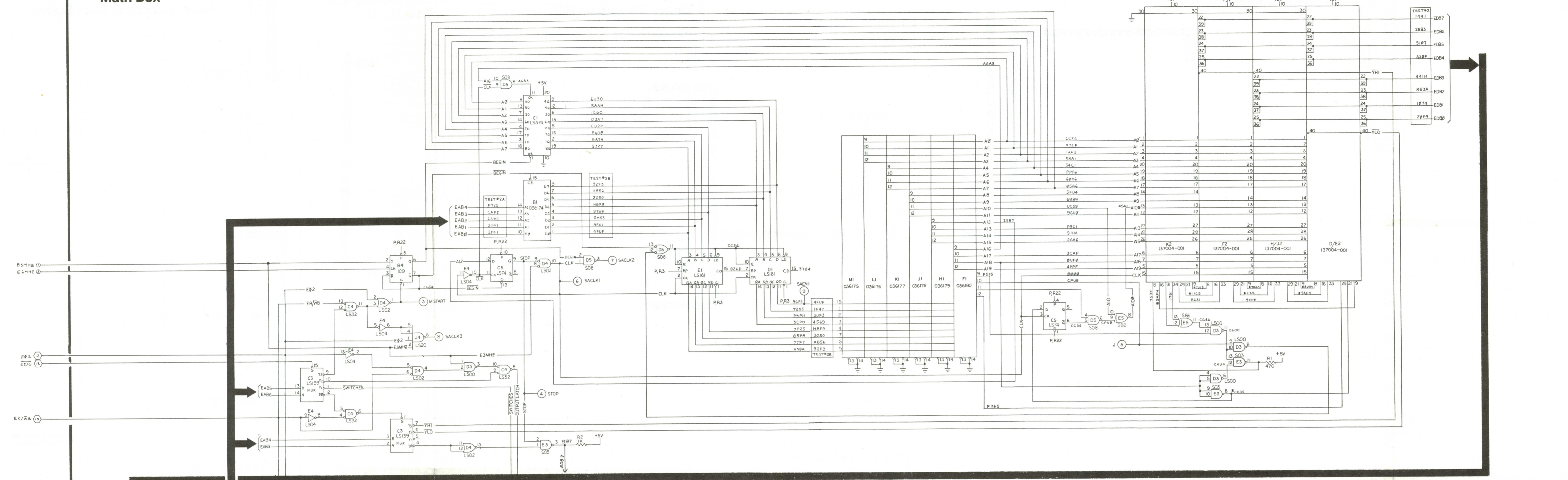


Math Box



Output Latch

Audio Output

Control Panel Inputs and Audio Generator

NOTE
 □ Indicates edge connector
 ○ Indicates interconnect connector
 ◁ Indicates test point
 Four-digit alphanumeric numbers are signatures of Math Box test points.
 Unboxed signatures are taken during Test #1.



Sheet 3, Side B
BATTLEZONE™
 Auxiliary PCB
 Audio Output
 Control Panel Inputs
 Math Box
 Section of 035678-01 A

NOTICE TO ALL PERSONS RECEIVING THIS DRAWING
 CONFIDENTIAL. Reproduction forbidden without the
 specific written permission of Atari, Inc., Sunnyvale, CA.
 This drawing is only conditionally issued, and neither
 conveys nor possession thereof confers or transfers any
 right in, or license to use, the subject matter of the draw-
 ing or any design or technical information shown thereon,
 nor any right to reproduce this drawing or any part
 thereof, in whole or in part, for any purpose other than
 that intended by the manufacturer. The manufacturer's
 license, no right to reproduce this drawing is granted or
 the subject matter thereof unless by written agreement
 with or written permission from the corporation.