

1P

2P

12P AMP WHITE

12P AMP YELLOW

- 1 START 1P
- 2 RIGHT 1P
- 3 LEFT 1P
- 4 UP 1P
- 5 DOWN 1P
- 6 PUNCH/SWITCH 0
- 7 SHOOT/SWITCH 1
- 8 GUARD/SWITCH 2
- 9 NOT USED
- 10 NOT USED
- 11 NOT USED
- 12 LOGIC GROUND RETURN (WHITE)

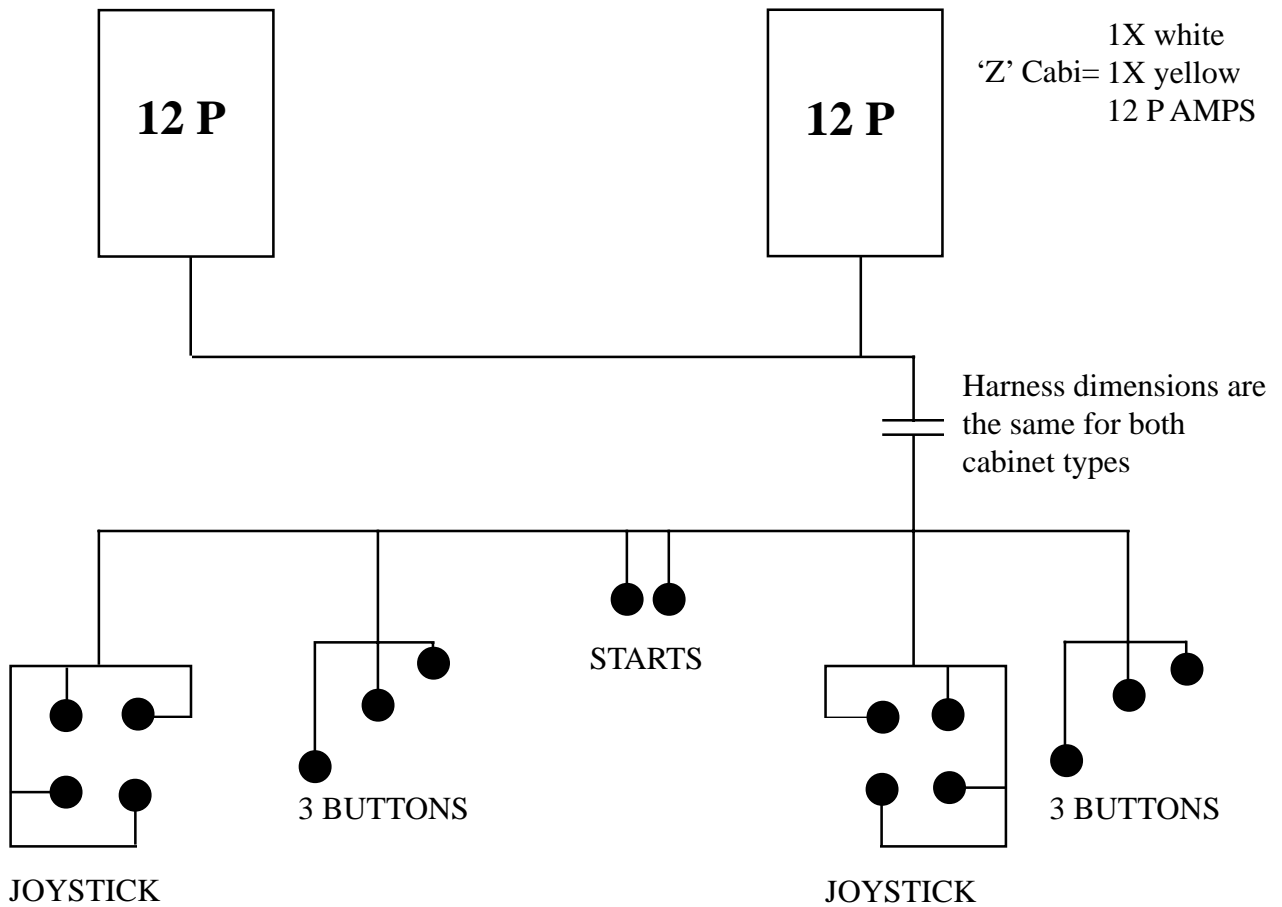
- 1 START 2P
- 2 RIGHT 2P
- 3 LEFT 2P
- 4 UP 2P
- 5 DOWN 2P
- 6 PUNCH/SWITCH 0
- 7 SHOOT/SWITCH 1
- 8 GUARD/SWITCH 2
- 9 NOT USED
- 10 NOT USED
- 11 NOT USED
- 12 LOGIC GROUND RETURN (WHITE)

'Z' CABINET USES AMP CONNECTORS

'WOOD' CABINET USES MOLEX CONNECTORS

Wood Cabi= 2X white  
12 P MOLEX

'Z' Cabi= 1X white  
1X yellow  
12 P AMPS



Each "↓" has a switched wire and a white logic ground return with slip on solderless connectors.