

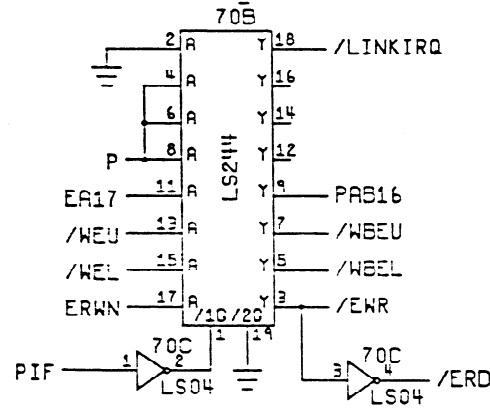
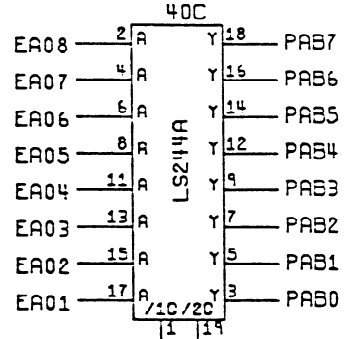
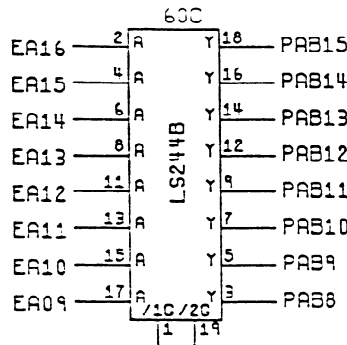
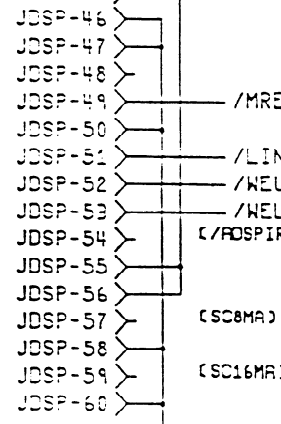
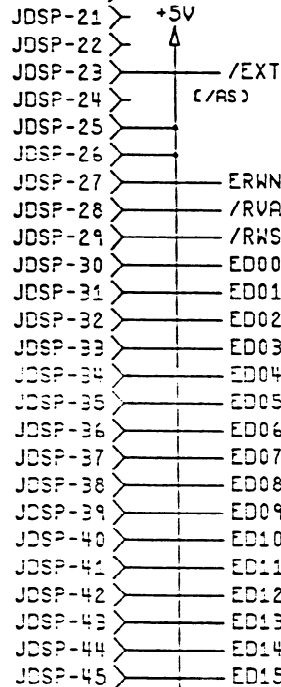
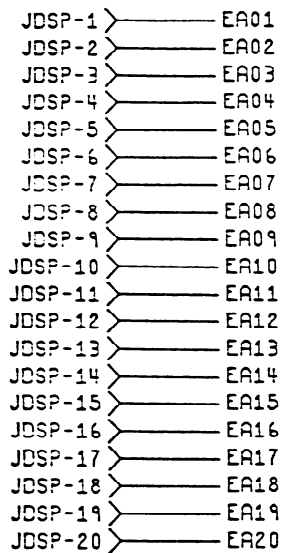
REVISIONS					
STM	DESCRIPTION	DATE	INCOMP	CHECK	APPROVED
A	PRODUCTION REL	3-28 1990	LBF	✓/	sm
B	ECN 13916	6/25 1990	JMC	✓/	sm

A047724-01	HO
NEXT ASSY	FIRST USED ON

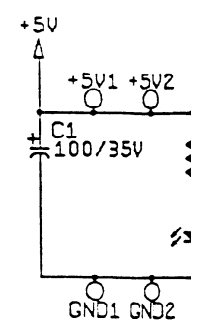
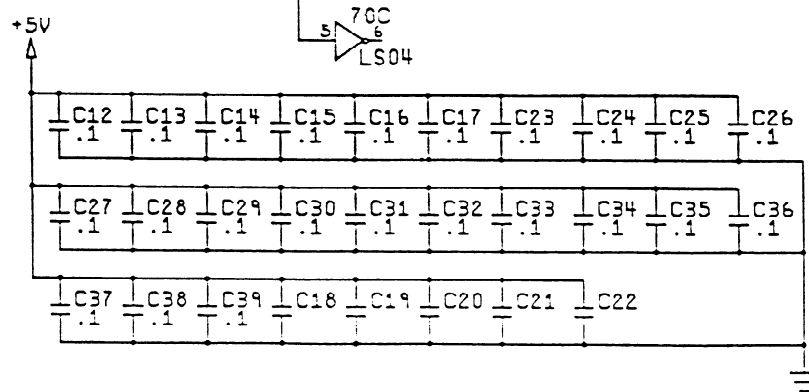
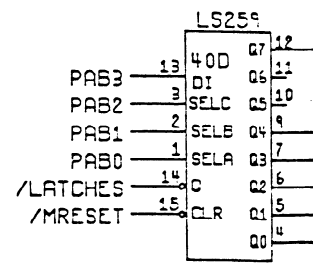
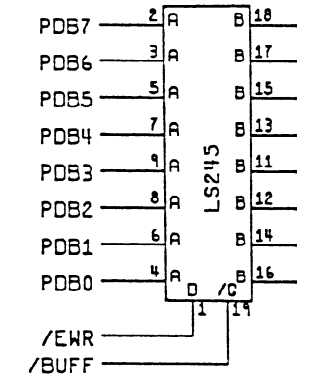
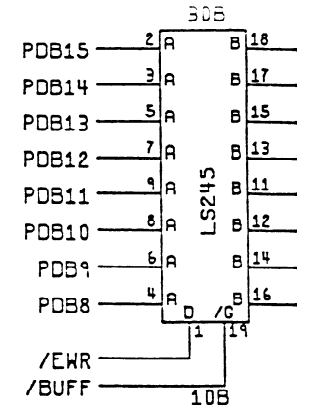
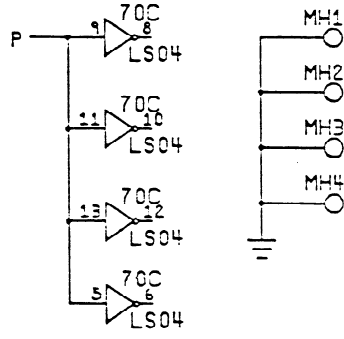
NOTICE TO ALL PERSONS RECEIVING THIS DRAWING  
 CONFIDENTIAL: INFORMATION CONTAINED HEREIN IS UNCLASSIFIED EXCEPT WHERE SHOWN OTHERWISE.  
 THIS DRAWING IS THE PROPERTY OF ATARI GAMES CORPORATION. IT IS TO BE KEPT IN CONFIDENTIALITY AND NOT TO BE REPRODUCED OR TRANSMITTED IN ANY FORM OR BY ANY MEANS, ELECTRONIC OR MECHANICAL, INCLUDING PHOTOCOPYING, RECORDING, OR BY ANY INFORMATION STORAGE AND RETRIEVAL SYSTEM, WITHOUT PERMISSION IN WRITING FROM ATARI GAMES CORPORATION. ANY UNAUTHORIZED REPRODUCTION OR TRANSMISSION OF THIS DRAWING IS STRICTLY PROHIBITED AND WILL BE PROSECUTED TO THE FULL EXTENT OF THE LAW.  
 THIS DRAWING IS THE PROPERTY OF ATARI GAMES CORPORATION. IT IS TO BE KEPT IN CONFIDENTIALITY AND NOT TO BE REPRODUCED OR TRANSMITTED IN ANY FORM OR BY ANY MEANS, ELECTRONIC OR MECHANICAL, INCLUDING PHOTOCOPYING, RECORDING, OR BY ANY INFORMATION STORAGE AND RETRIEVAL SYSTEM, WITHOUT PERMISSION IN WRITING FROM ATARI GAMES CORPORATION. ANY UNAUTHORIZED REPRODUCTION OR TRANSMISSION OF THIS DRAWING IS STRICTLY PROHIBITED AND WILL BE PROSECUTED TO THE FULL EXTENT OF THE LAW.

DO NOT SCALE DRAWING	DRAWN BY L. FRITTS	DATE 3-28-90
UNLESS OTHERWISE SPECIFIED DIMENSIONS ARE IN INCHES TOLERANCES ON:	CHECKED BY <i>L. Fritts</i>	DATE 3-28-90
HOLES ± .1"	ENGR, ELECT	DATE
.25 ± .01	PROJ ENGR	DATE
.125 ± .005	<i>L. Fritts</i>	3-19-90
MATERIAL:	MFG ENGR	DATE
SEE PL A047723-01	<i>L. Fritts</i>	3-26-90
FINISH:		

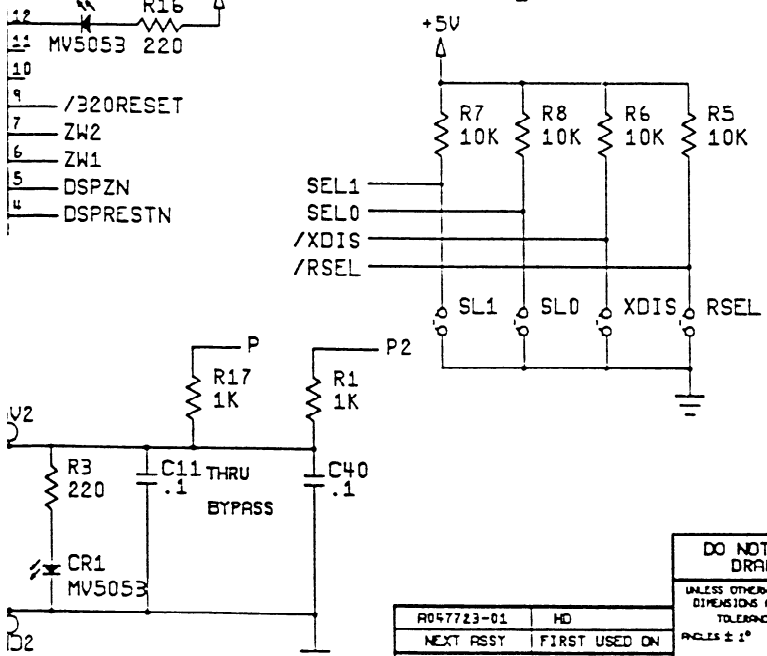
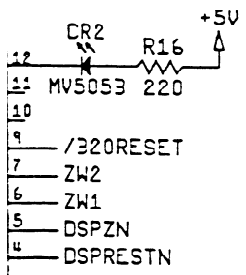
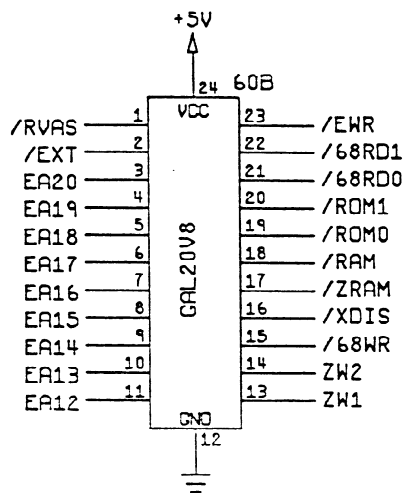
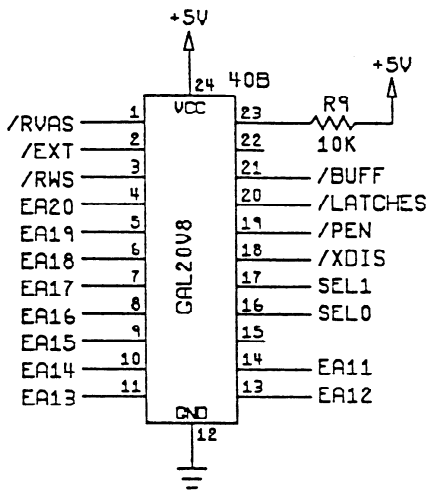
ATARI	ATARI GAMES CORP. 675 STOPHORE DRIVE MILPITAS, CA 95035
TITLE	ASSEMBLY, SUB, DSK PCA
SIZE	DRAWING NO.
D	A047723-01
SCALE	SHEET 1 OF 1



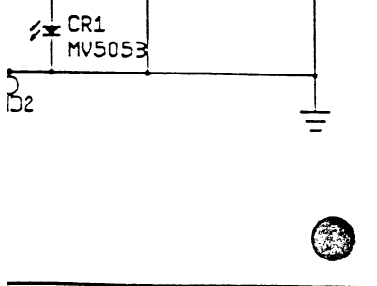
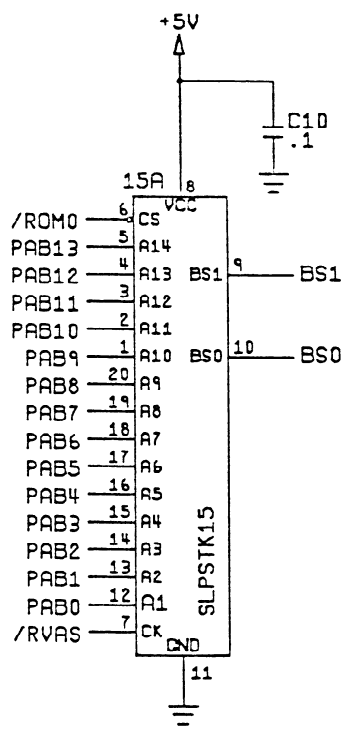
- FIDUCIAL MARK
- FIDUCIAL MARK
- FIDUCIAL MARK
- FIDUCIAL MARK



- 18 ED15
- 17 ED14
- 15 ED13
- 13 ED12
- 11 ED11
- 12 ED10
- 14 ED09
- 16 ED08
  
- 18 ED07
- 17 ED06
- 15 ED05
- 13 ED04
- 11 ED03
- 12 ED02
- 14 ED01
- 16 ED00



REVISIONS					
STP	DESCRIPTION	DATE	IN CORP	CHECK	APPROVED
A	PRODUCTION REL	3-28 1990	STAFF	AJ	JM
B	ECCN 13918	6-13 90	JD		



DO NOT SCALE DRAWING

UNLESS OTHERWISE SPECIFIED DIMENSIONS ARE IN INCHES

TOLERANCES ON:

ANGLES ± 1°

.XX ± .01

.XXX ± .005

FINISH:

SEE PL

A047723-01

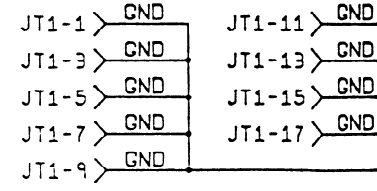
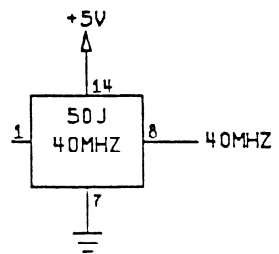
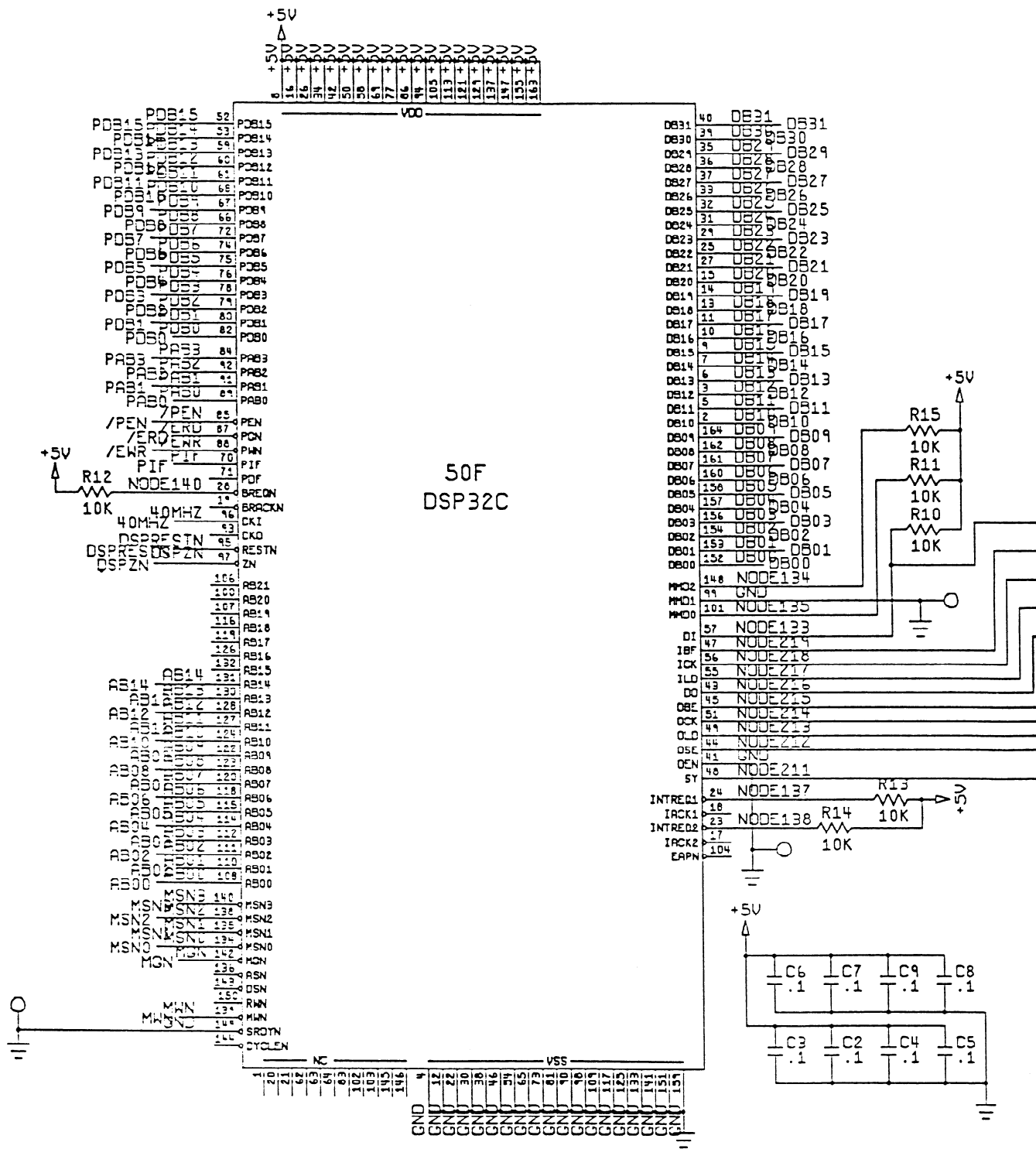
A047724-01

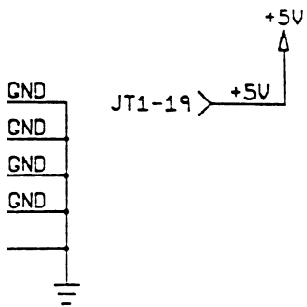
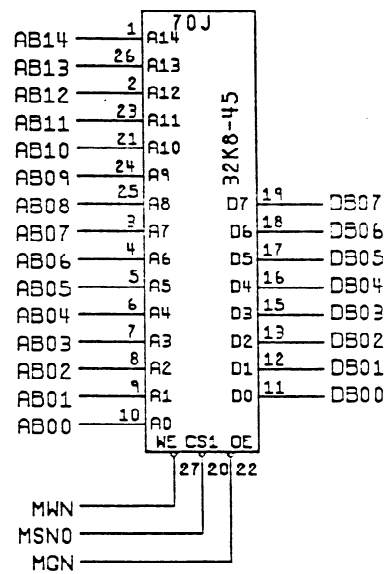
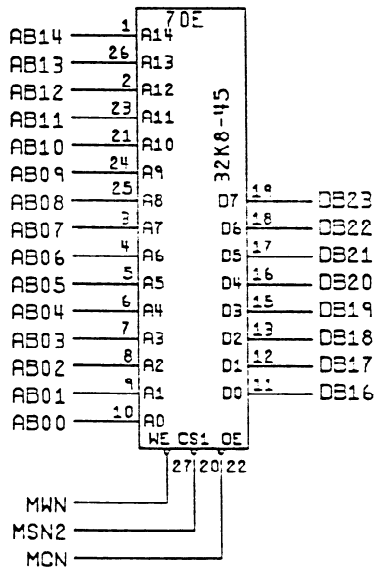
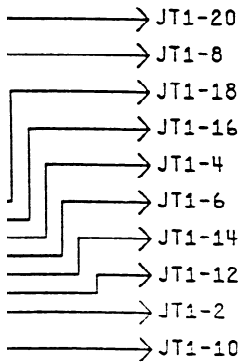
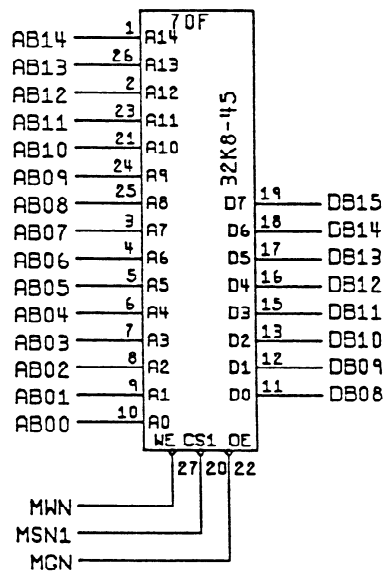
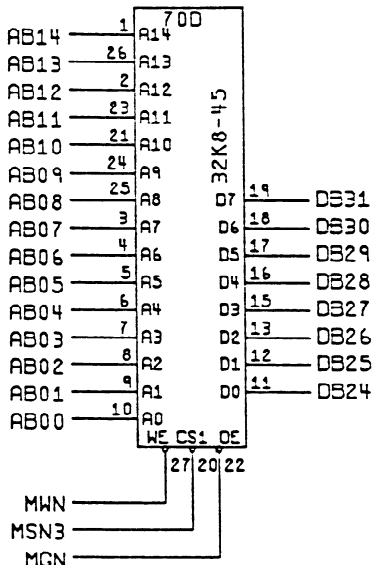
NOTICE TO ALL PERSONS RECEIVING THIS DRAWING

CONFIDENTIAL: INFORMATION FURNISHED BY THIS SPECIFIC METHOD PROPRIETARY TO ATARI GAMES CORPORATION. REPLYING OR THIS DRAWING IS SOLELY CONDITIONALLY FINISHED. AND RETURN RECEIPT FOR PROTECTION THEREOF CONFIRM BY TELEPHONE AND EIGHT (8) BY LICENSE TO THE SUBJECT MATTER OF THE DRAWING OR BY SIGNING A TECHNICAL SUPPORT WRITER UNDER THESESE. SEE FOR EIGHT TO REPRODUCE THIS DRAWING IS NOT PERMITTED. EXCEPT FOR REPRODUCTION BY INDICES OF ATARI GAMES CORPORATION. AND FOR REPRODUCTION UNDER THE COMPANY'S POLICY. NO RIGHT IS GRANTED TO REPRODUCE THIS DRAWING OF THE SUBJECT MATTER THEREOF, UNLESS BY WRITTEN PERMISSION OF ATARI GAMES CORPORATION.

DRAWN BY	STAFF	DATE	3-28-90
CHECKED BY	A JACKSON	DATE	3-29-90
PROJ ENGR	J MARCOLIN	DATE	3-29-90
MFG ENGR	D WRIGHT/OUR	DATE	3-29-90

ATARI		ATARI GAMES CORP. 675 STORPORK DRIVE MILPITAS, CA. 95035	
TITLE			
SCHEMATIC, HD, DSK PCB			
SIZE	D	DRAWING NO.	A047723-01
REV	B	SCALE	NONE
SHEET 1		OF 4	





ATARI		
ATARI DOWNS CORP. 675 SYDNEY DRIVE MCLISTERS, CA. 95033		
TITLE		
SCHEMATIC, HD, DSK PCB		
SIZE	DRAWING NO.	REV
D	047723-01	B
SCALE	NONE	1 SHEET 2 OF 4

4

3

2

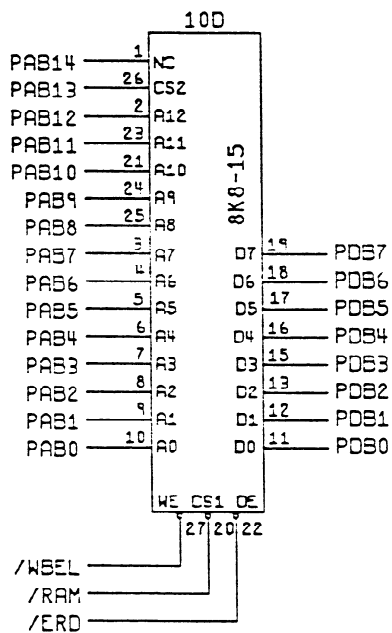
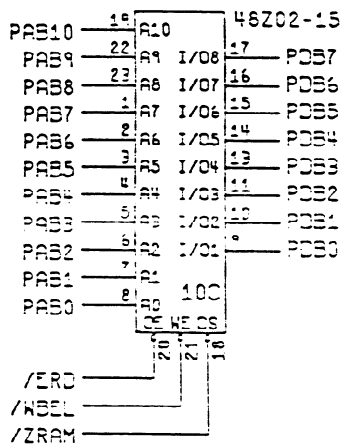
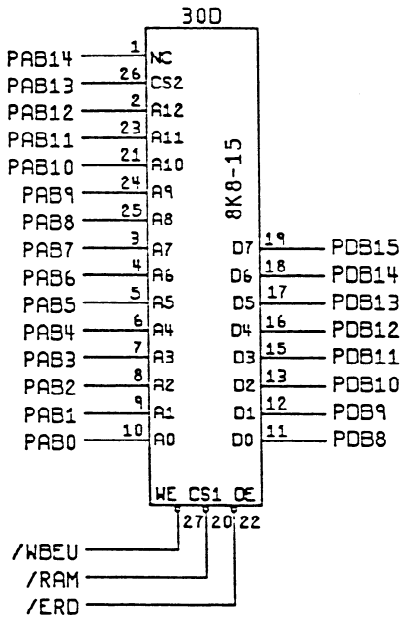
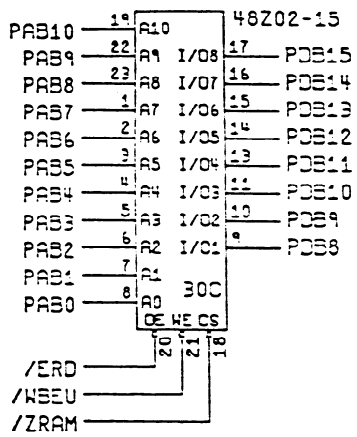
1

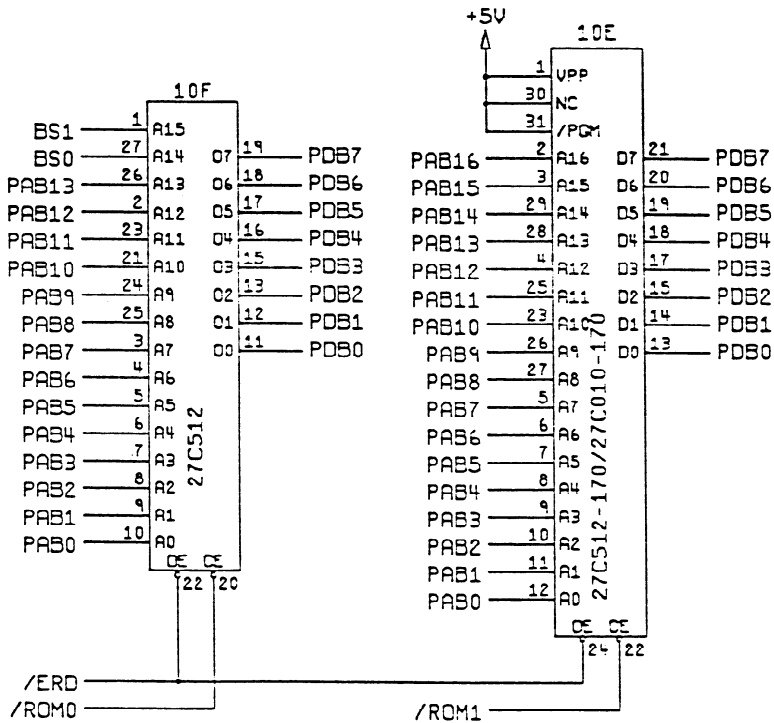
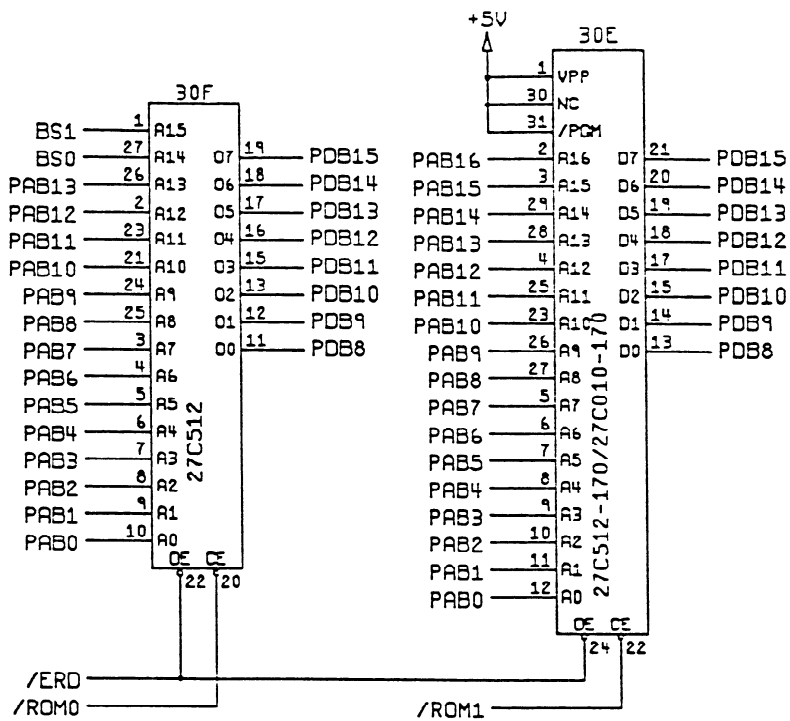
D

C

E

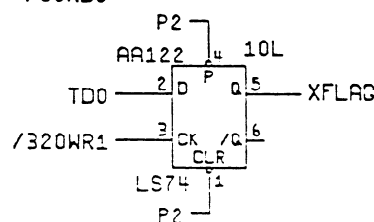
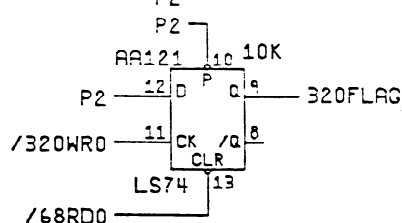
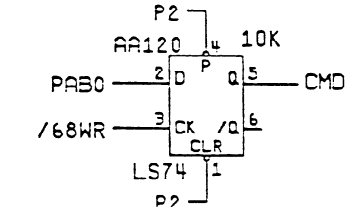
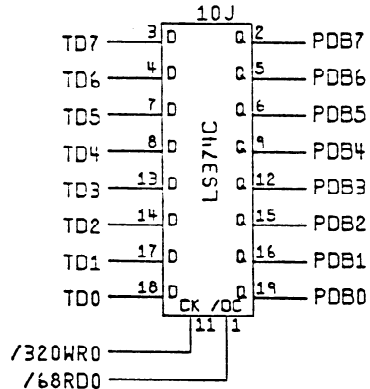
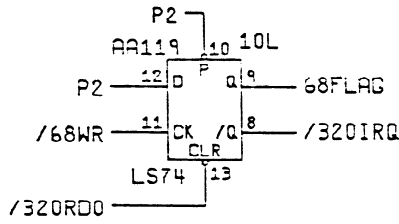
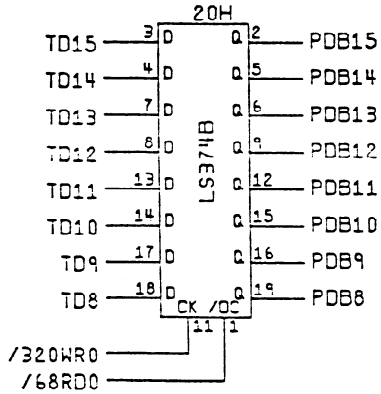
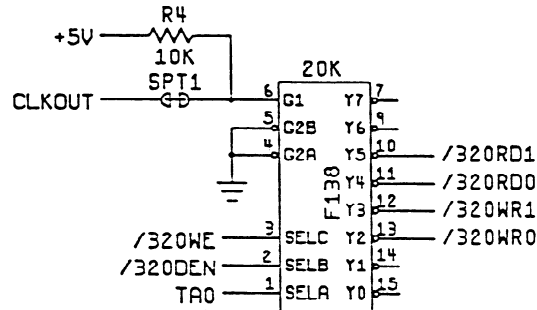
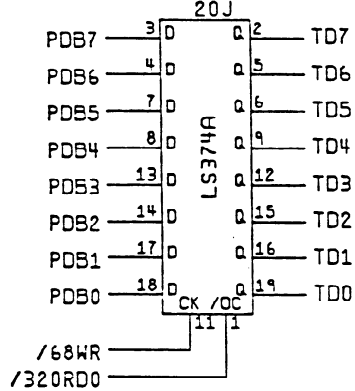
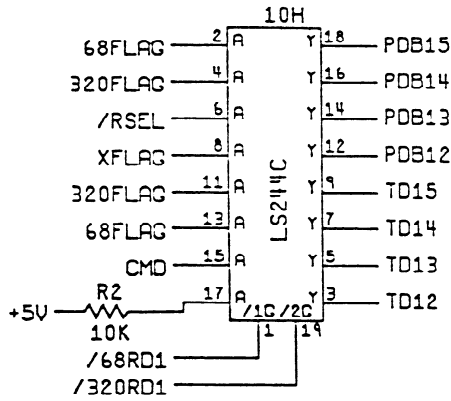
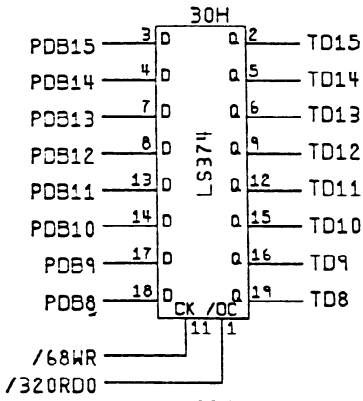
F

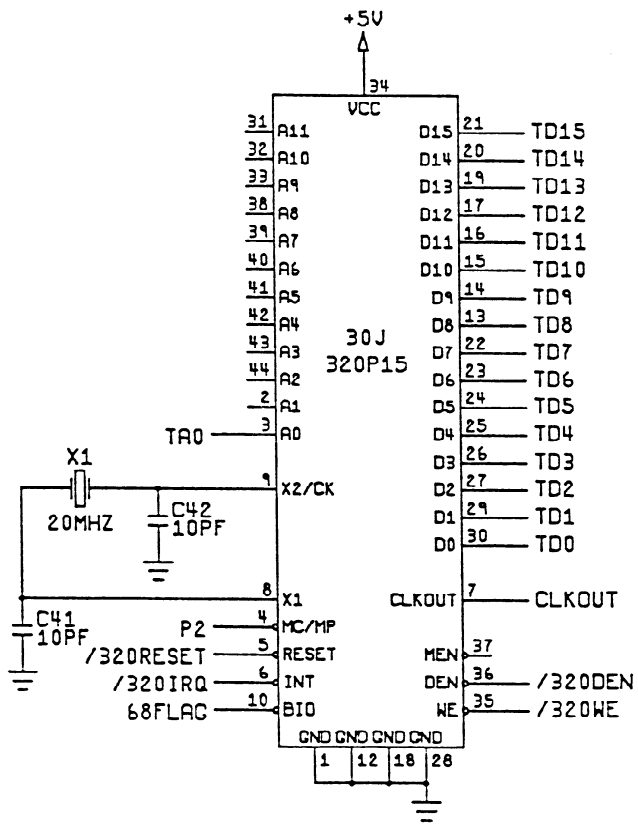




ATARI		ATARI DYNES CORP. 675 STORAGE DRIVE MILPITAS, CA. 95035
TITLE		
SCHEMATIC, HD, DSK PCB		
SIZE	DRAWING NO.	REV
D	047723-01	B
SCALE	NONE	SHEET 3 OF 4







ATARI		ATARI GAMES CORP. 675 STAMFORD DRIVE MILPITAS, CA. 95035	
TITLE			
SCHEMATIC, HD, DSK PCB			
SIZE	DRAWING NO.	REV	
D	047723-01	B	
SCALE	NONE	SHEET 4	OF 4