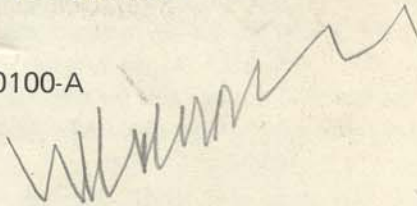




GenRad

GR 2220
Bug Hound

Form 2220-0100-A



Instruction Manual

Contents

Specifications

Introduction – Section 1

Installation – Section 2

Operation – Section 3

Theory – Section 4

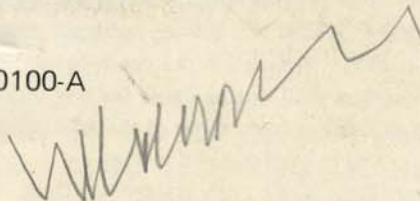
Service and Maintenance – Section 5


Parts Lists and Diagrams – Section 6

WARNING - SHOCK HAZARD
SEE SECTION 5

GR 2220 Bug Hound

Form 2220-0100-A



Symbol  on equipment signified that the instruction manual contains information about the unit that personnel should be aware of to prevent possible inadvertent damage to it. Refer to Section 5.

© GenRad 1977

Concord, Massachusetts, U.S.A. 01742

November, 1977

ID-0100

Specifications

Microvoltmeter

Accuracy: \pm (20% of full scale + $10\mu\text{V}$)
Ranges: 50-0-50 μV and 500-0-500 μV
Input impedance greater than 100 ohms
Differential protection between probes \pm 15 volts

Dc Current Source

Compliance: 1V dc max., open circuit
Output current: 10mA \pm 20% into short circuit

Current-Sensing Probe

Source drive signal: 600kHz \pm 20%, 1V Peak max. into open circuit
20mA p-p square wave into short circuit

Detector probe: sensitive to source if probe held within 1/8" of copper track

Connectivity Test

Detects resistance less than 68 ohms \pm 10%

Power Requirements

100 to 175 or 200 to 250V
50 or 60Hz
Power consumption less than 5 watts

Mechanical

Dimensions: 8.5" W x 3.12" H x 12.25" D
21.6cm W x 8.4cm H x 31.1cm D
Weight: 2.5 kg (5.6 lb) net.

Warranty



GenRad

WARRANTY

We warrant that this product is free from defects in material and workmanship and, when properly used, will perform in accordance with applicable GenRad specifications. If within one year after original shipment it is found not to meet this standard, it will be repaired or, at the option of GenRad, replaced at no charge when returned to a GenRad service facility. Changes in the product not approved by GenRad shall void this warranty. GenRad shall not be liable for any indirect, special, or consequential damages, even if notice has been given of the possibility of such damages.

THIS WARRANTY IS IN LIEU OF ALL OTHER WARRANTIES, EXPRESSED OR IMPLIED, INCLUDING, BUT NOT LIMITED TO, ANY IMPLIED WARRANTY OF MERCHANTABILITY OR FITNESS FOR A PARTICULAR PURPOSE.

GenRad policy is to maintain product repair capability for a period of ten years after original shipment and to make this capability available at the then prevailing schedule of charges.

Introduction—Section 1

1.1 INTRODUCTION	1-1
1.2 GENERAL DESCRIPTION	1-1

1.1 INTRODUCTION.

The GenRad 2220 Bug Hound is a small bench-top instrument designed to aid in the determination of the physical location of printed-circuit board short and open circuits, and certain types of component faults. Several techniques can be used to achieve this end, depending on the nature of the fault. The Bug Hound is most compatible with, and a logical extension to, digital logic-circuit test systems. Frequently, a shorted node can be electrically resolved using a test system designed for that purpose, but the physical location is not readily found (as with hair-line etch-circuit board shorts or opens). Also, as is the case with many of the higher-density and multi-layer boards used today, even if the faulty node is known, it can be very difficult to locate the physical fault by visual inspection. Close visual tracing of a track is not a necessity with the Bug Hound. The 2220 design is such that the electrical path of a shorted track can be followed and "sniffed" out by audio and visual means. A speaker emitting 1 of 2 audio tones and 2 LED diodes indicate that the probe is in close proximity to the track. If no indications are emitted, the probe is not near the track of interest. In addition, no power to the board under test is required.

The Bug Hound is intended for use after a board fault has been diagnosed by a logic-circuit test system. The utility of the message defining the fault depends on the sophistication of the system. GenRad manufactures high-resolution logic-circuit test systems that can utilize the GR Diagnostic Resolution Module (DRM) with the Fault Isolation Nodal Diagnostic Software (FINDS) package. With DRM/FINDS, it is possible to resolve the fault from the nodal level down to a specific fault type or a bad IC pin. Having found the faulty node, an investigation using DRM/FINDS is made to resolve a fault to one of the following fault types:

1. Shorts/opens between an IC pin and power or ground.
2. Shorts/opens between adjacent IC pins.
3. Faulty IC's.
4. Shorts between tracks on a board.

Even without the optional DRM/FINDS package, GR test systems generally provide more information than most other testers. For example, along with the node definition the comment `NODE LOW BUT ACTIVE` may be added instead of just `BAD NODE AT XXX`. This comment indicates that the node is not shorted to ground, but rather to another node.

1.2 GENERAL DESCRIPTION.

1.2.1 General.

The 2220 has three basic modes of operation; a signal trace mode, a connectivity mode, and a microvoltmeter mode. The unit is self-contained and supplied complete as a bench-top instrument.

1.2.2 Signal-Trace Mode.

The principal application for the signal-trace mode is in locating a short between 2 nodes when both nodes are known. When the Bug Hound is operating in this mode, a 600 kHz trace-current is connected between the two shorted nodes. Two clip leads are attached, at any point on each node. The current-tracing probe is then utilized to track down the physical fault location by visual (LED indicators) and audio (speaker-tone) means.

1.2.3 Connectivity Mode.

The signal-trace mode can only be used when two or more shorted nodes are known. If a diagnostic message identifies one node that is shorted to another unidentified node, the connectivity mode is used to physically locate the second node. Two probes are used; one is placed on any point of the known node, while the other is swept across the etch track. When an audible tone is heard, the other node (or another point of the known node) is located. Probing is continued until the second unidentified node is found. The actual short is then located by either visual means, or by using the signal-trace mode.

This mode is also used to locate open circuits.

1.2.4 Microvoltmeter.

The microvoltmeter has a zero-center meter with full-scale sensitivities of either ± 50 or ± 500 μVdc . As with the signal-trace mode, the microvoltmeter mode also requires that two shorted nodes be identified previously. A 10 ma dc current source is then connected between the nodes to provide a potential gradient along the tracks carrying this current. This very small IR drop is sensed by the microvoltmeter as an increasing or decreasing potential as one probe is moved along the track. The moving

probe is visually followed to the point where the short is located.

The microvoltmeter is especially well-suited for finding shorts between power bus and ground tracks. In this situation, the signal-trace mode is ineffective because the power-bus bypass capacitors look like short circuits to the 600 kHz trace current.

The microvoltmeter can also be used in lieu of the signal-trace mode as an alternate means of finding board shorts.

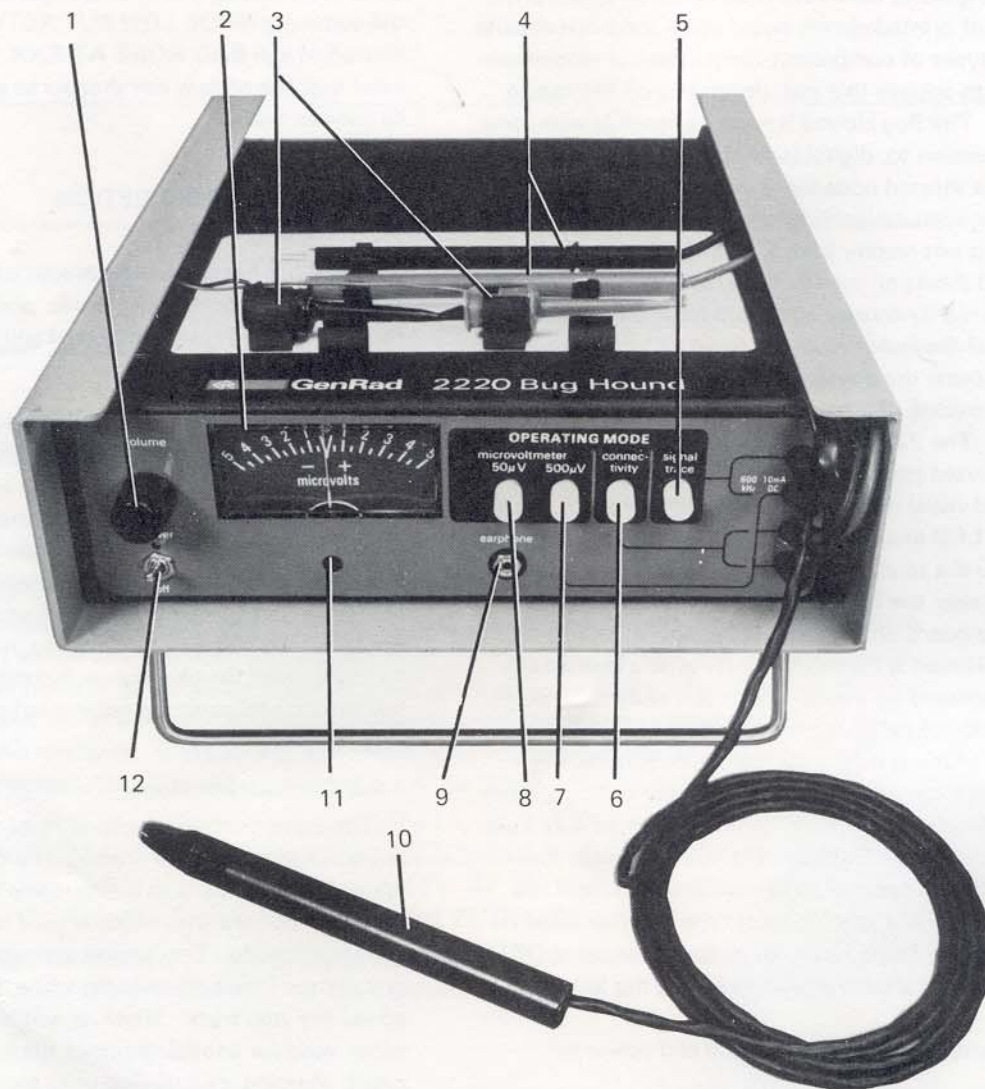


Figure 1-1. Front panel controls and indicators.

Table 1-1
CONTROLS, INDICATORS, AND CONNECTORS

Figure 1-1 Ref. No.	Name	Description	Function
1	volume	Knob control. Rotary cw adj.	Adjusts audio level of speaker tone in Signal-trace and Connectivity modes.
2	meter	Microvoltmeter. Minus-zero-plus.	Indicates reading in microvolts of either 50 or 500 uV full scale (see Fig. 1-1 items 7 and 8).
3	signal clips	Red and black push-type clips.	In Signal-trace mode these clips provide a 600 kHz trace current for the probe (Fig. 1-1, item 10) to follow; in the microvoltmeter mode a 10 ma dc signal is clipped to two track points and the test probes (Fig. 1-1, item 4) are used to detect the signal.
4	test probes	Red and black probes.	In Connectivity mode these probes are used to find a point on an unknown node. In the microvoltmeter mode these probes are used as the meter input probes.
5	signal-trace	1 of 4 Operating Mode interlocking pushbuttons	Sets instrument to Signal-trace mode, activating the current-trace probe (Fig. 1-1, item 10) and producing a 600 kHz signal across the clips (Fig. 1-1 item 3).
6	connectivity	1 of 4 Operating Mode interlocking pushbuttons	Sets instrument to Connectivity mode. The probes (Fig. 1-1 item 4) are used to probe for two points with a resistance < 68 ohms.
7	microvoltmeter 500 uV	1 of 4 Operating Mode interlocking	Sets instrument to Microvoltmeter mode with a full-scale reading of +/-500.
8	microvoltmeter 50 uV	1 of 4 Operating Mode interlocking pushbuttons	Sets instrument to Microvoltmeter mode with a full-scale reading of +/-50.
9	earphone	Earphone jack.	Listen to Signal-trace tones or Connectivity mode tone instead of speaker, in noisy environments or without disturbing others.
10	current-trace probe	Probe containing tuned circuit.	In Signal-trace mode this probe enables the 600 kHz stimulus to be tracked.
11	meter set	Microvoltmeter adjust screw.	Mechanical zero-adjust of microvoltmeter.
12	off-on	Toggle-switch.	Turns instrument power on and off.

Table 1-2
REAR PANEL CONTROLS, INDICATORS, AND CONNECTORS

Name	Description	Function
Power Connector (labeled 50-60 Hz).	Safety recessed 3-wire plug.	Ac power input. Use with appropriate power cord such as GR 4200-9625 or equiv.
Fuse (labeled 1/32 A SLOW BLOW)	Fuse in extraction post holder.	Short circuit protection. Use Bussman type 250V 1/32 A or equiv. rating.
Line Voltage Switch	Slide switch. Horiz motion: left pos, 100-125V; right pos, 200-250V.	Adjusts power supply for the appro- priate input range.

Installation—Section 2

2.1 UNPACKING AND INSPECTION	2-1
2.2 DIMENSIONS	2-1
2.3 TILTING	2-1
2.4 POWER-LINE CONNECTION	2-1

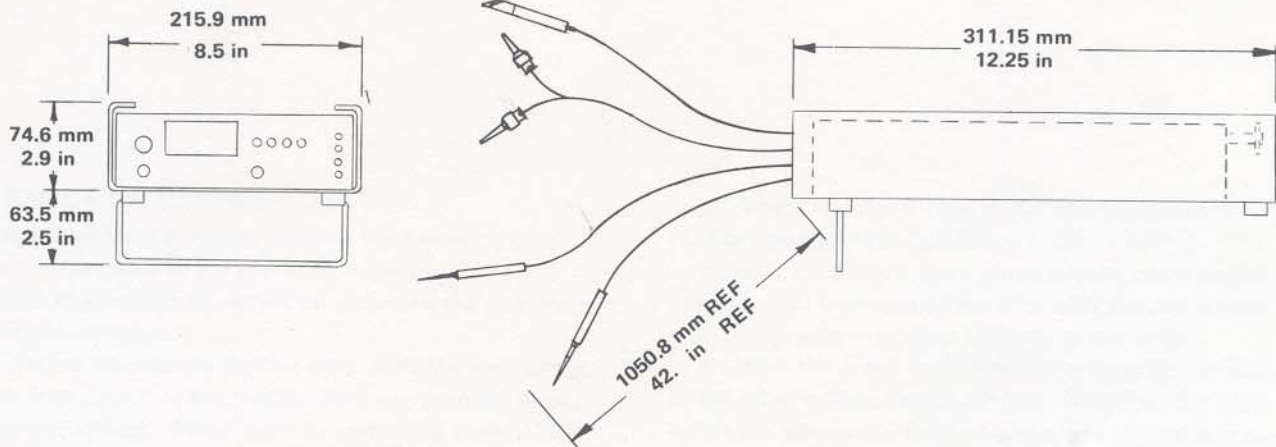


Figure 2-1. 2220 Dimensions.

2.1 UNPACKING AND INSPECTION.

If the shipping carton is damaged, ask that the carrier's agent be present when the instrument is unpacked. Inspect the instrument for damage (scratches, dents, broken parts, etc.). If the instrument is damaged or fails to meet specifications, notify the carrier and the nearest GenRad field office. (See list at the back of this manual). Retain the shipping carton and the padding material for the carrier's inspection.

2.2 DIMENSIONS.

Figure 2-1.

The instrument is supplied in a cabinet with resilient feet for placement on a table. The overall dimensions are given in the figure.

2.3 TILTING.

The unit can be tilted back for easier panel viewing. Pull the central part of the bail, which is pivoted at the front feet, down and forward. Let the bail support the

front of the instrument. To return the bail to its storage position, push it back and up against the bottom of the cabinet.

2.4 POWER-LINE CONNECTION.

The power transformer primary windings can be switched, by means of the line-voltage switch on the rear panel, to accommodate line voltages in either of two ranges, as labeled, at a frequency of 50 to 60 Hz, ac. Using a small screwdriver, set this switch to match the normal voltage of your power line.

Connect the 3-wire power cable (P/N 4200-9625) to the line and to the power connector on the rear panel. The instrument is fitted with a recessed 3-wire power receptacle. The contacts are recessed to eliminate the possibility of electrical shock whenever the power cord is being unplugged from the instrument. In addition, the center ground pin is longer, which means that it mates first and disconnects last, ensuring user protection. The connector

is rated for 250 V at 15 A. It meets the requirements of Underwriter's Laboratories in the U.S. and the Canadian Standards Association. The receptacle accepts power cords fitted with Belden type PH-386 connector.

The associated power cord for use with that receptacle is GR part no. 4200-9625. It is a 210-cm (7-ft.), 3-wire, 18-gauge cable with connector bodies molded integrally

with the jacket. The connector at the power-line end is a stackable hammerhead design that conforms to the "Standard for Grounding Type Attachment Plug Caps and Receptacles", ANSI C73.11-1966. (Specifies 125 V, 15 A.) If the fuse must be replaced, be sure to use a "slow blow" fuse of the current and voltage ratings shown on the rear panel, regardless of the line voltage.

Operation – Section 3

3.1 BASIC PROCEDURE	3-1
3.2 SIGNAL TRACE	3-1
3.3 CONNECTIVITY	3-2
3.4 MICROVOLTMETER	3-2

3.1 BASIC PROCEDURE.

For initial familiarization perform the following procedure. Then refer to the application information contained in this section for details on obtaining the maximum use from each mode.

a. Before connecting the line cord, slide the line-voltage switch (rear panel) to the position that corresponds to your power-line voltage. Power must be nominally either 120 or 220 V (50 to 60 Hz).

If the fuse must be replaced, be sure to use a "slow blow" fuse of the rating shown on the rear panel.

b. Push the interlocking OPERATING MODE push-button switch to the desired mode; press either Signal Trace, Connectivity, or 50 uV (Microvoltmeter).

c. Set the power On/Off switch to On.

d. Connect the earphone to the front panel earphone jack if desired.

e. Proceed depending on the mode selected to the appropriate paragraph as follows:

Signal Trace para. 3.2

Connectivity para. 3.3

Microvoltmeter para. 3.4

3.2 SIGNAL TRACE.

The signal trace mode utilizes the current-trace probe and two clip leads for injecting a 600 kHz trace signal. Typically, the 600 kHz signal is clipped across two nodes that have been diagnosed by a test system as being shorted together. One of the nodes can be a ground bus. Perform the following steps:

a. Press the OPERATING MODE Signal-trace pushbutton switch.

b. Unclip the current-trace probe and red and black signal clips from the probe tray.

c. Attach the signal clips to the identified nodes. (Either signal clip can be clipped to either node.)

d. With the current-trace probe (largest black probe) in hand, start from one of the clips with the probe nose held within approximately 1/8 inch of the track.

e. Move the probe from one side of the clipped track to the other using a zig-zag motion. Note that the LED indicators alternately flash on-and-off as the probe is moved from one side to the other.

f. As the probe is being swept from one side of the track to the other, adjust the front-panel volume control cw for an audible tone of the desired level.

g. Next, proceed along the track following it with the probe. If, as the probe is moved down the track the LED indicators do not flash on and off, and the audio tones stop, back up the probe to the point where the indicators are active again. Investigate the reason for the stoppage. Either the node branches at this point, or the physical fault has been encountered.

Example

Figure 3-1 illustrates the signal trace mode. This example assumes that a test system diagnosis has stated that 2 nodes U1-13 and U3-12 are shorted together. The red and black signal clips are placed on these two IC pins as shown (either clip to either point). The path of the 600 kHz ac signal is illustrated by the dotted arrow. Note that it passes through the short. The current-trace probe is then moved along the track starting from one of the identified pins (U1-13). As the probe is moved to point A, the signal is lost. The probe is backed up and moved through a plated-through-hole. The signal is lost at point B on the track located on the other side of the board. As the probe is zig-zagged back toward the hole, the signal re-appears and the short is observed.

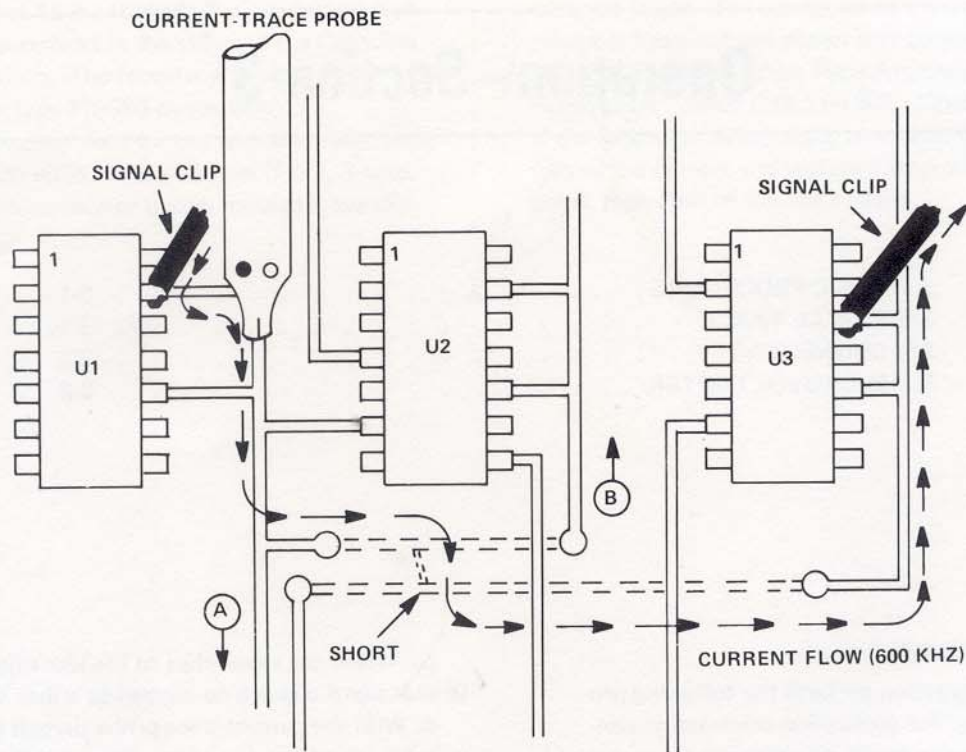


Figure 3-1. Signal trace mode.

3.3 CONNECTIVITY.

The connectivity mode is used in instances where a test system diagnosis identifies only one node. The other node must then be found manually.

Perform the following steps:

- Push the OPERATING MODE Connectivity pushbutton switch.
- Unclip the red and black probes (not the signal clips) from the probe tray.
- Touch the 2 probe tips together and an audible tone is heard as the front-panel VOLUME control is adjusted. Set for desired level.
- Place one of the probe tips on the identified node, then slowly and lightly sweep the board etch with the other probe until the tone in Step c. is heard. This indicates a path of less than 68 ohms.
- The tone indicates that either a point on the same node has been located, or an unidentified node has just been found. With both nodes identified, the signal trace mode is used to resolve the fault.

Figure 3-2 illustrates the use of the Connectivity mode. Note that if one probe is placed on U1-3 the tone is heard if the other probe tip contacts either U2-3, U2-5, U2-2 or U3-2. Only the latter two points are on the other node.

3-2 OPERATION

3.4 MICROVOLTMETER.

3.4.1 General.

The microvoltmeter uses a 10 mA dc current source as a stimulus along a path between 2 identified nodes. The microvoltmeter indicates both the polarity and the amplitude of even a few microvolts drop along the path through which the current is forced. There are two ranges; 50 and 500 μ V. Normally, the 50 μ V range is used as described below. The 500 μ V range is useful whenever the potential gradient along a track is large because of a narrow track width.

Perform the following general steps to use the microvoltmeter, and then refer to the detailed techniques for use depending on the type of application.

- Press the OPERATING MODE 50 μ V pushbutton switch.
- Unclip the black and red signal clips and the red and black probes from the probe tray.

NOTE

The following procedures are intended for use with an unenergized board. To use the microvoltmeter on an energized board refer to para. 3.4.3.

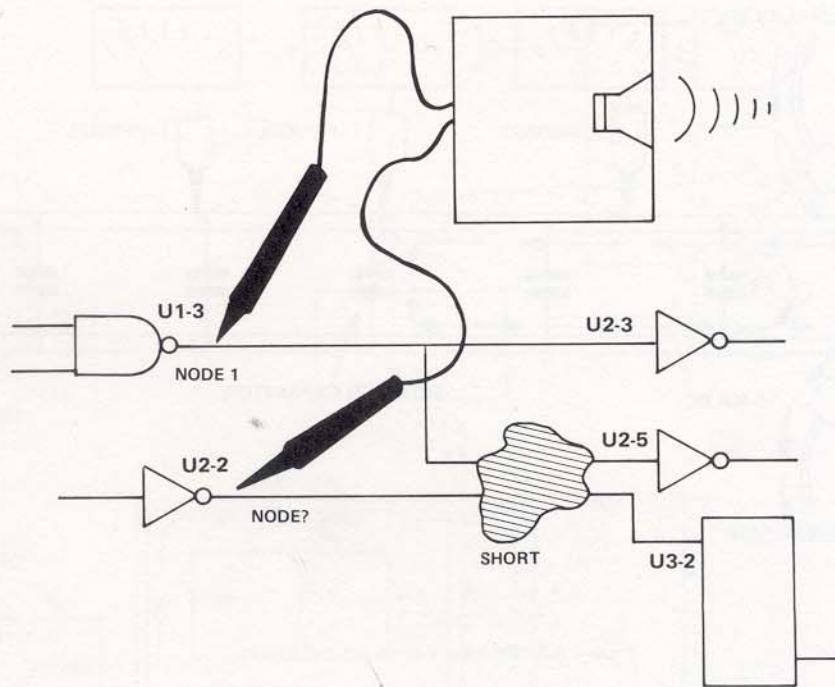


Figure 3-2. Connectivity mode.

c. Place either signal clip onto one of the nodes; place the other clip at a point on the other node.

d. Place and hold either probe at one of the clips, and with the other probe press lightly on the track and move the second probe along the track.

e. A deflection should gradually be observed. The polarity of the deflection is not important, and depends on which clip and which probe is placed on which end of the track. If the deflection approaches full scale, move the stationary probe to the vicinity of the other probe to bring the meter reading back to zero, then continue the search for the short.

f. When an increase in the distance between the probes on the 50 μV range does not produce a corresponding increase in the meter deflection, either the point of the short has been passed, or the short is on a node branch that has just been passed. Back up the probe until a decrease in deflection occurs, then investigate.

3.4.2 Vcc-To-Ground Shorts.

Figure 3-3 illustrates a principal application for the microvoltmeter. A shorted capacitor is not an uncommon fault and can be easily found as illustrated. With the signal clips connected as shown, the dc current source flows through the shorted capacitor to ground. As the probe is moved along the power bus the deflection increases. As

the point-of-short is passed no further IR drop occurs since there is no current flow through this path; the voltage point is at the same potential as the short (ground potential). Thus the deflection remains constant past the point-of-short.

3.4.3 Use of Microvoltmeter on Energized Board.

The microvoltmeter can be used on an energized system (power applied to the board-under-test) to resolve a short when system analysis pin-points a bad node. The following techniques illustrate the most common applications and can be used to determine, for example, if an IC driving a node is bad, or if one of the IC's receiving a signal from the identified node is bad (such as having an internal short to ground, Vcc, or another node).

Figure 3-4 illustrates current flow and level for standard TTL logic 0 and 1 states under normal conditions. Under fault conditions current is sourced to the short from all other points on the node, regardless of whether or not the point is an output or input (though the level will vary). Trouble-shooting using the microvoltmeter is easy if this concept is kept in mind. If current is flowing from an IC pin to a short, it is sourcing current. It is easily determined if any given IC pin is sourcing or sinking current. Simply place the positive (red) probe closer to the IC pin than the black (negative) probe. Place the black probe elsewhere

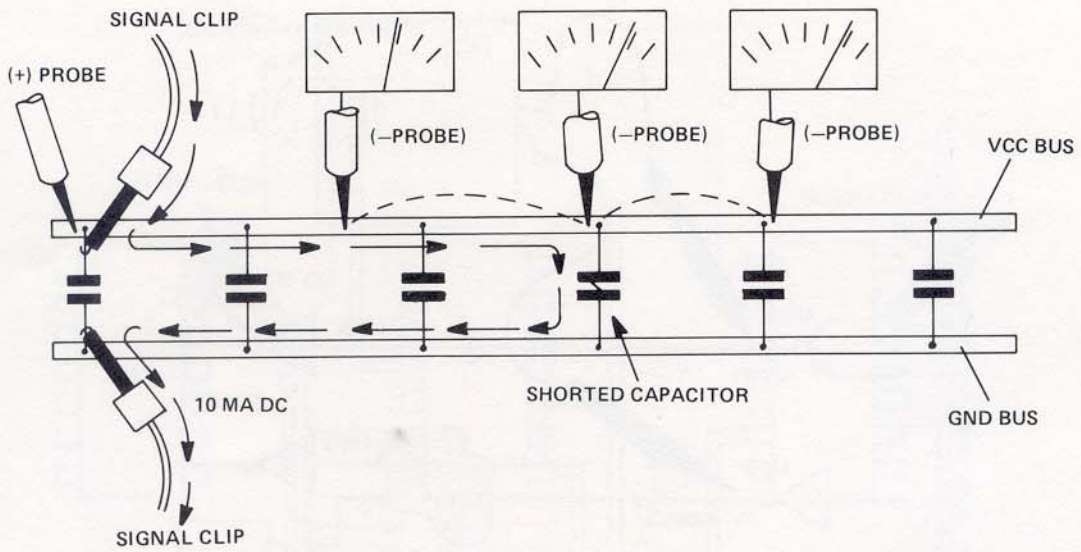


Figure 3-3. Probing Vcc-to-ground shorts.

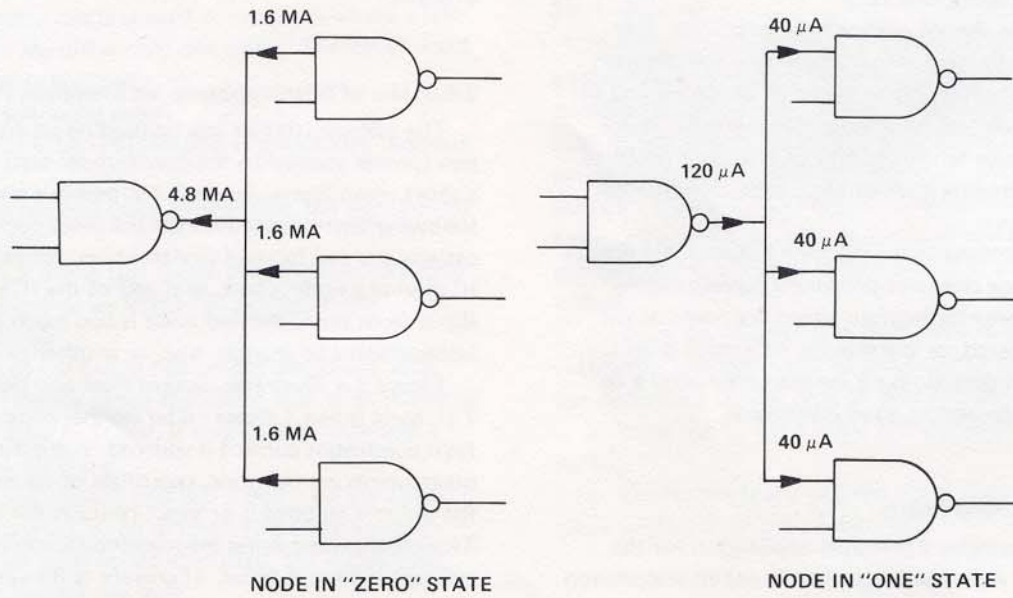


Figure 3-4. Standard TTL loading.

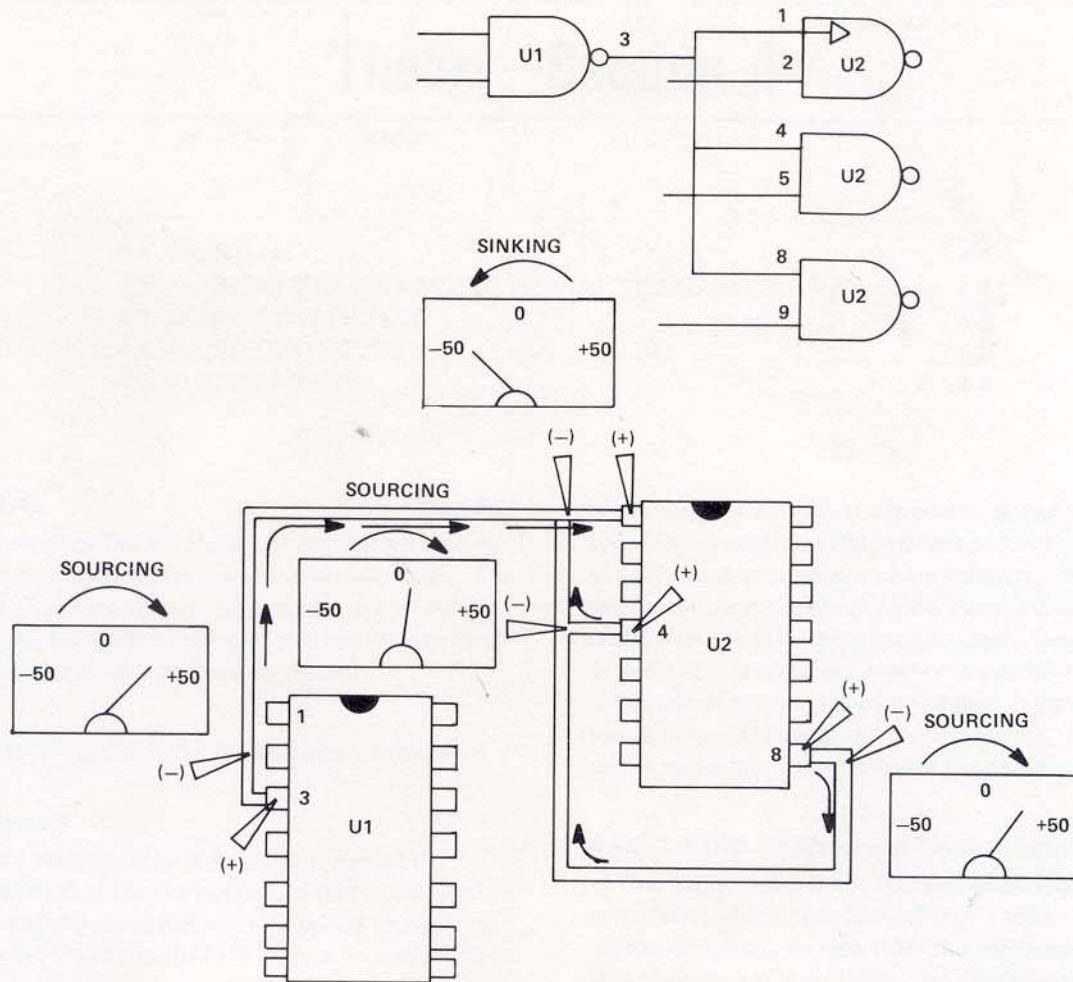


Figure 3-5. Probing an energized board.

on the node. If the meter deflects upscale, current is being sourced by this IC point; a down-scale deflection indicates it is sinking current.

Figure 3-5 illustrates an example of the most common type of probing on an energized board. In this example assume that U2-1 has an internal short to ground, and because of this the node "fails to go high". The board-under-test must be set-up by the test system to the failing condition. Figure 3-5 shows the node both from physical and electrical viewpoints. When U1-3 is probed, the positive deflection indicates that the pin is sourcing current. Similarly, when U2-8 and U2-4 are probed, positive indications are indicated, though of a much smaller magnitude. When U2-1 is probed as shown the deflection is negative indicating it is sinking current. This principle, carried one step further, is used if the short is somewhere in the track. Place the positive probe on the driving output (as with U1-3).

Follow the track using the other probe. The deflection increases and is at a maximum at the short. If the short is passed the deflection will stay at approximately the same level or start moving down-scale as a result of the current being sourced from the node IC inputs (as from U2-4, and U2-8).

Open-Collector Logic. The technique just described applies to open-collector logic with one difference. In the logic high state a logic output of this type does not source current to the track. If, for example, a short to ground holds a node low, and a microvoltmeter measurement made at the pin driving the node indicates 0 uV, this output has not failed. If it is determined that this output is good, probe the other points on the node using the techniques previously described in para. 3.4.3 to trouble-shoot the short.

Theory—Section 4

4.1 GENERAL	4-1
4.2 CURRENT-TRACING PROBE (SIGNAL TRACE MODE)	4-1
4.3 CONNECTIVITY TEST	4-3
4.4 MICROVOLTMETER	4-3
4.5 SYSTEM POWER	4-4

4.1 GENERAL.

This section describes the theory of the current-tracing probe, the connectivity tester and the microvoltmeter. The theory for the microvoltmeter also includes the 10 mA dc current source. An understanding of this theory is helpful in performing any trouble analysis on the unit.

4.2 CURRENT-TRACING PROBE (SIGNAL-TRACE MODE).

4.2.1 Background.

The current-tracing probe is designed to detect the polarity (direction) of the magnetic field that is induced around a wire (etch) when a current is applied through the wire. Figure 4-1 illustrates the field relative to current flow and also shows that the induced voltage in the probe produces a current flow in a direction depending on which side of the track the probe lies on.

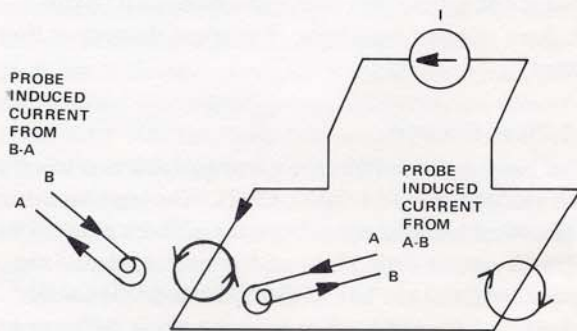


Figure 4-1. Magnetic field resulting from current flow through a wire.

Figure 4-2 is a simplified functional diagram of the probe. The signal clips are used to connect the ac current source (600 kHz) to two shorted nodes. The current-trace

Figure 6-2.

probe contains a coil that is tuned to detect the 600 kHz stimulus. A small ac voltage developed in the probe coil is amplified and applied to a phase detector. The phase detector compares the phase of the signal induced into the probe with the 600 kHz stimulus signal. From the phase detector it is determined whether the probe coil lies inside or outside of the current-carrying track. Two LED indicators are associated with the phase detector. Additionally, one of two audio tones indicates the phase.

4.2.2 1.2 MHz Oscillator and Clock Divider.

The 1.2 MHz oscillator (U3 and associated components) is the heart of the "current-sniffing" probe. The 600 kHz source stimulus is derived from this oscillator through a flip-flop frequency divider (U5). The divided output is also applied to the phase detector circuitry to synchronize it as described in para. 4.2.6.

The oscillator is tuned by L2, C15 and C16 to a frequency of approximately 1.2 MHz. C17 provides a fine-tune oscillator adjustment. C47 is a blocking capacitor required to prevent L2 from shorting U3-7 (base) to the gate (U3-3). C18 prevents L2 from shorting the gate (U3-3) to the source. U3 buffers the oscillator output and converts the oscillator sinewave to a square wave.

The OSC OFF signal to the oscillator (U3-5) is tied to either +5 V or -5 V through the OPERATING MODE switch section S5. When the Signal-Trace mode is selected, +5 V is switched in to enable the oscillator. For all other modes -5 V is switched in to disable the oscillator. This prevents oscillator pick-up from affecting the other modes of operation.

The clock-divider flip-flop U5 divides the oscillator frequency by 2, supplying a 600 kHz (approx.) signal from U5-1 to driver Q7. The output of U5-2 is applied to U4. The other input (U4-2) is approximately 1.2 MHz. The output of U4 provides the toggle for the phase detector. The timing relationships for the above signals are illustrated in Figure 4-3. The toggle (U4-3) is thus delayed one-fourth of a period from the probe excitation signal.

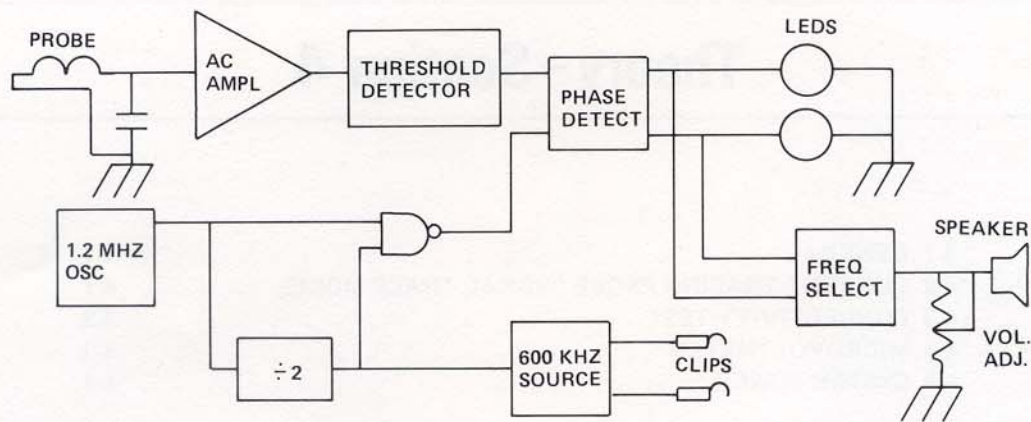


Figure 4-2. Current-trace probe simplified functional diagram.

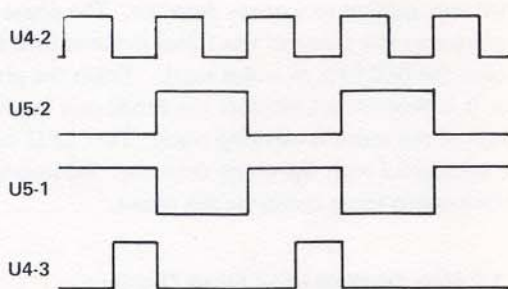


Figure 4-3. Oscillator and divider timing.

4.2.3 600 kHz Source Drive.

The 600 kHz signal from U5-1 is applied to the Q7/Q1 driver stage through R13/C12. The current is limited through R13. C13 minimizes the effect of stray capacitance both in the track and Q7 from attenuating the 600 kHz signal. Q7 and Q1 provide the source driver (20 ma nominal) required to force a current through a pc-board track to produce the magnetic field (para. 4.2.1). The 600 kHz output is protected from overload (accidental connection to a voltage source) to ± 15 V (max). CR20 is back-biased for +15 V.

4.2.4 Probe and Preampifier.

The probe nose contains the tuned circuit L1 and C4. This circuit is resonant at 600 kHz. U1 is an ac-coupled amplifier with a gain of approximately 80 at 600 kHz. The amplified phase information is then applied to comparator U2. The comparator has a switchable hysteresis. Initially, the hysteresis is set at 100 mV pk-pk (R5/R11). When this threshold level is reached, the hysteresis is changed to 50 mV pk-pk by Q8/R48. The change of hysteresis ensures that the drive level is sufficient to produce positive startup

and shutdown of U2. The comparator output (TP2) produces a ± 5 V signal swing when sufficient excitation (greater than 100 mV pk-pk) is applied to U1. The comparator output is applied to the phase-detector flip-flop.

4.2.5 Threshold Detector.

The comparator output is also applied to a threshold detector. The detector ensures that the tones and LED indicators are extinguished when the probe is not near the track being probed. C11 passes the comparator output to the detector. The positive-half of each 600 kHz cycle is conducted through CR18. This charges C30 positive. During the negative half-cycle CR23 conducts and C30 attempts to discharge through R10. The time constant is such however, that the next positive half-cycle is received before C30 is discharged. This maintains U4-5,6 positive which enables phase detector U5. When the comparator output is not active, C30 discharges through R10 and U4-5,6 are at a low logic level. The phase detector is then disabled.

4.2.6 Phase Detector.

The phase information is received by U5-9 and this flip-flop is clocked at U5-11 (para. 4.2.2). The logic level from the amplified induced signal from the probe is clocked to the U5-13 output (PHASE 1) on the leading edge of the toggle pulse (U5-11). The LEDs CR14 and CR15 alternately blink back and forth as long as a phase difference is being detected. The current to the LEDs is limited by R12. Q5 and Q6 are drivers for CR14 and CR15, respectively. R16 and R40 limit the current that U5 is required to sink.

The complementary phase detector outputs PHASE 1 and PHASE 2 are applied to analog switches U15-5 and U15-6. PHASE 1, when high switches PULSE 2 through speaker drivers Q4/Q2 to the speaker. Similarly, PULSE 3 is switched through by PHASE 2. The PULSE 2 and PULSE 3 signals are produced as described in para. 4.4.2.

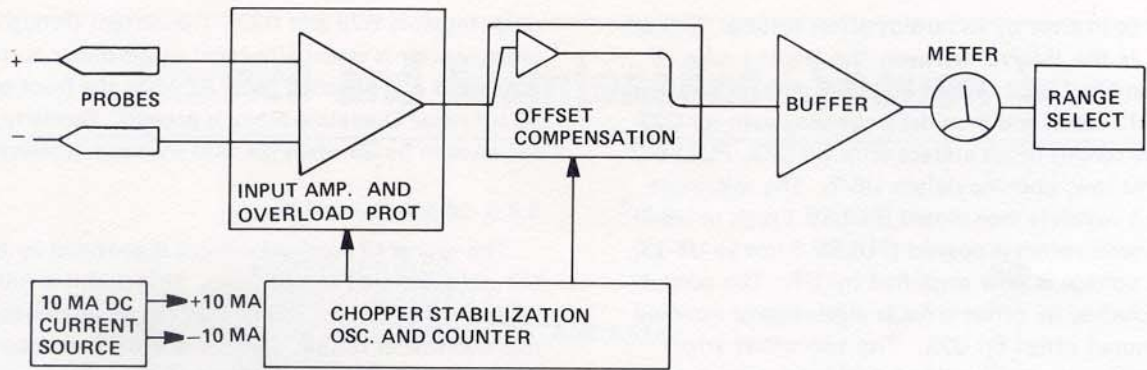


Figure 4-4. Microvoltmeter simplified diagram.

4.3 CONNECTIVITY TEST.

U10 and associated circuitry form the connectivity tester. The test probe leads are connected to a resistance divider consisting of R31, R32, and R42 on the U10-3 input. U10 is a comparator, and because of the divider on the input, the comparator output U10-7 (TP6) goes high when the test probes are connected to a resistance of less than 68 ohms. When this occurs analog switch U15-13 goes high and closes. The PULSE 2 signal on U15-1 is then applied through the Q4 and Q2 pulse amplifier stage to the speaker and earphone jack. The PULSE 2 tone (385 Hz) is generated by the U11 oscillator and U12 divide-by-eight counter (refer to para. 4.4.2) and is also used in the microvoltmeter mode.

4.4 MICROVOLTMMETER.

4.4.1 General.

Figure 4-4 is a simplified block diagram of the microvoltmeter. The probed voltage is applied to overload protection circuits and then to the input amplifier. The amplifier is chopper-stabilized and provides gain. Chopper stabilization is a technique that minimizes the effects of U7 offset drift resulting from temperature variations. With this method the microvoltmeter input and ground are alternately sampled. Any offset voltage in U7 is stored in C23 during the time that ground is being sampled. The input voltage is then sampled and algebraically summed with the stored offset voltage. The two offset voltages cancel, leaving only the amplified input voltage which is stored on C25. When this voltage reaches ± 25 and ± 250 mV the microvoltmeter will be reading \pm full scale on the 50 and 500 μ V ranges, respectively.

4.4.2 Input Stage.

The input stage has a low-input impedance of 100 ohms. This low impedance stabilizes the chopper switches at the input of U7 so the meter will remain at zero when the microvoltmeter is not being used. The input is protected against

voltage overload to ± 15 V. Lamp DS1 provides this protection because its resistance increases and limits the current as the voltage across the lamp increases. Diodes CR16 and CR17 clamp the voltage to ± 1 V max. C41 along with DS1 form a low-pass filter designed to attenuate computer-clock frequencies and prevent an erroneous meter offset when the microvoltmeter is used on an energized board (para. 3.4.3). The filter cutoff is approximately 10 MHz. DS1 and R21 also form a voltage divider. Approximately a sixth of the input voltage is dropped by this network. This loss is compensated for by the gain of U7. C43 across the input of U7 shunts high frequencies to minimize switching transients produced by U6. C44 reduces 60 Hz pick-up from floating ground to case ground. U7 is configured as an ac-coupled amplifier. A gain of approximately 600 is developed by feedback resistors R23 and R24.

Analog switches U6-5, and -13 in the input stage are used for chopper stabilization, described in the next paragraph.

4.4.3 Chopper Stabilization - Oscillator and Counter.

The timing pulses for chopper-stabilization control are developed through oscillator U11, and divide-by-8 counter U12. The oscillator frequency of 3080 Hz is controlled by C29, R41, and R43 (adjustable). R43 is variable to adjust the chopper frequency away from any 50 or 60 Hz harmonics to avoid undesirable meter pulsation. R46 minimizes frequency drift resulting from any power instability. The oscillator output is applied to a divide-by-8 counter U12 to produce the PULSE 1,2,3 and PULSE 4 timing outputs as illustrated on the schematic (Figure 6-2). The timing pulses are applied to the U6 analog switches. A high pulse level closes a switch. As shown in the schematic, the input is opened (U6-5) when PULSE 1 goes low. At the same time PULSE 3 goes high to ground the microvoltmeter input (U6-13). This references U7 to floating ground. After the switching transients have decayed away and the operational amplifier has settled, the output voltage

of U7 will be in error by its output offset voltage. This settling time is the interval between the leading edge of PULSE 3 and PULSE 2. When PULSE 2 goes high analog switch U6-12 closes and provides a charging path for C23 to store the output offset voltage error on C23. PULSE 2 then returns low, opening switch U6-2. The microvoltmeter input switch is then closed (PULSE 1 high to U6-5) and the ground switch is opened (PULSE 3 low to U6-13). The input voltage is now amplified by U7. The output voltage including its offset error is algebraically summed with the stored offset on C23. The two offset errors cancel, leaving only the amplified field input voltage as the input to U8. This voltage is buffered by U8 and is ultimately stored on C25 when PULSE 4 closes U6-6.

4.4.4 Meter Amplifier.

Amplifier U9 converts the stored voltage on C25 to a current suitable to drive the ± 500 μ A meter movement. Capacitors C19 and C26 filter out any switching noise that appears at the input. The meter itself is in the U9 feedback loop. R8 at the output of U9 limits the current to the meter to protect it from any overload presented to the microvoltmeter input. The output is inverted from the input and the stage has a unity dc gain with respect to the

range resistors R29 and R30. The current through the range resistor is essentially equal to the meter current. R29 is selected and switched in by S2 when the front-panel 50 μ V range Operating Mode is pressed. Similarly, R30 is switched in by S3 when the 500 μ V range is selected.

4.4.5 10 MA Current Source.

The source of constant current is provided by transistor Q3 and associated components. This circuit is fully floating so that either current-source lead can be referenced to the microvoltmeter return. Zener diode CR9 and current diode CR10 (1 ma) establishes a fixed voltage drop across the base-emitter of Q3 and R1. This voltage is unaffected by power line fluctuations, therefore the output current remains constant. The source is applied to the signal clips whenever the microvoltmeter is selected.

4.5 SYSTEM POWER.

System power requirements are met with +5 V and -5 V potentials. These voltages are supplied to the unit through 0.5 A regulators U13 and U14, respectively. The unregulated 5 Vdc power is developed through a bridge rectifier (CR1-CR4) on the secondary of step-down transformer T1. C1 and C2 filter the unregulated dc power.

Service and Maintenance—Section 5

5.1 CUSTOMER SERVICE	5-1
5.2 INSTRUMENT RETURN	5-1
5.3 MINIMUM PERFORMANCE STANDARDS	5-1
5.4 ADJUSTMENTS	5-3
5.5 DISASSEMBLY AND ACCESS	5-3

CAUTION



For continued protection against fire hazard, replace fuse only with the same type and rating as shown on rear panel and in parts list.

WARNING — SHOCK HAZARD

Dangerous voltages are present inside this instrument. Refer all servicing to qualified personnel.

5.1 CUSTOMER SERVICE.

Our warranty (at the front of this manual) attests the quality of materials and workmanship in our products. If malfunction does occur, our service engineers will assist in any way possible. If the difficulty cannot be eliminated by use of the following service instructions, please write or phone the nearest GenRad service facility (see back page), giving full information of the trouble and the steps taken to remedy it. Describe the instrument by name, catalog number, serial number, and ID (lot) number if any. (Refer to the front and rear panels.)

5.2 INSTRUMENT RETURN.

5.2.1 Returned Material Number.

Before returning an instrument to GenRad for service, please ask our nearest office for a "Returned Material" number. Use of this number in correspondence and on a tag tied to the instrument will ensure proper handling and identification. After the initial warranty period, please avoid unnecessary delay by indicating how payment will be made, i.e., send a purchase-order number.

5.2.2 Packaging.

To safeguard your instrument during storage and shipment, please use packaging that is adequate to protect it from damage, i.e., equivalent to the original packaging. Any GenRad field office can advise or provide packing material for this purpose. Contract packaging companies in many

cities can provide dependable custom packaging on short notice. Here are two recommended packaging methods:

Rubberized Hair. Cover painted surfaces of the instrument with protective wrapping paper. Pack instrument securely in strong corrugated container (350 lb/sq. in bursting test), with 2-in rubberized hair pads placed along all surfaces of the instrument. Insert fillers between pads and container to ensure a snug fit. Mark the box "Delicate Instrument" and seal with strong tape or metal bands.

5.3 MINIMUM PERFORMANCE STANDARDS.

5.3.1 General.

The following procedures are designed to verify the accuracy and overall performance of the instrument. The checks are controlled from the front panel, without the need for disassembly. Table 5-1 lists the equipment recommended for the following checks, trouble analysis, and making the adjustments described in para. 5.4. Also listed are the patch cords and connectors that can be used to make the connections described in the following paragraphs. The connectors and patch cords for the equipment specified can be purchased through the GR Catalog Sales Dept.

CAUTION

Be sure the rear-panel line voltage switch is correctly set for your power line voltage.

5.3.2 380 Hz Oscillator Check.

To perform this check it is necessary to connect two resistors (a 1 Ω 1% and a 10 K Ω 1%) in series, and then connect both an oscillator and a frequency counter (to measure period) across the resistors. The 2220 red and black test probes are placed across the 1 Ω (red lead to the junction of the resistors).

- Turn the 2220 On and set it to the 500 μ V range.
- Turn on the oscillator and set it to approx. 380 Hz, with the output amplitude to approx. 5 Vpk-pk using an oscilloscope.
- Vary the oscillator frequency slightly until the 2220

Table 5-1
RECOMMENDED EQUIPMENT FOR MINIMUM PERFORMANCE,
TROUBLE ANALYSIS AND ADJUSTMENTS

Name	Requirement	Recommended Type *
Resistors	1 Ω 1% 10 Ω 1% 61.9 Ω 1% 82.5 Ω 1% 10 k Ω 1% 100 k Ω 1%	—
Oscilloscope	General purpose, 100 MHz, dual trace	Tektronix 465
Oscillator	Variable 500 Hz, 5 V pk-pk output	GR1310-B
Frequency Counter	50 MHz, and period measurement	GR1192-B
Connectors	(3) Black Binding Post Assemblies	GR 0938-9872
Patch Cords	Banana plug, double in-line BNC to GR 847 [®] Banana plug, single	GR 0274-9860 GR 0776-9702 GR 274-LLB
Power Supply	Variable 0-5 Vdc	Hewlett Packard HP 6215A
Voltmeter	Digital, general purpose	Data Precision 2540

* Equivalents may be substituted.

meter begins to swing back and forth. Continue adjusting the frequency until the 2220 meter swing rate is less than 1 Hz.

d. Turn on the frequency counter and set it to read a time period. The period should be between 2.5774 and 2.6826 ms.

5.3.3 Microvoltmeter Accuracy Check.

To perform this check make the following equipment connections, then change the setup as indicated in the test procedure.

- Connect two resistors (100 k Ω 1% and 1 Ω 1%) in series.
- Connect a 0-5 Vdc power supply, and the voltmeter across the resistors (supply and meter positive leads to the 100 k resistor).

Perform the following steps:

- Turn the 2220 On and set to the 50 μ V range.
- With the 2220 test probes open circuited and then shorted together, the meter should remain within ± 10 μ V.
- Place the 2220 test probes (not the signal clips) across the 1 Ω resistor (red probe to the junction of the resistors).
- Turn on and adjust the power supply until the 2220 meter reads full scale (50 μ V). The dvm should now read from +3 to +7-V \pm (10 μ V +20% f.s.).
- Interchange the test probes across the 1 Ω resistor to reverse the polarity and repeat step d. with a negative reading.
- Turn off the power supply.
- Replace the 100 k Ω resistor with a 10 k Ω 1% resistor.
- Set the 2220 to the 500 μ V range.
- Repeat steps c. through f. for both polarities of the 500 μ V range.

5.3.4 10 MA Dc Current Source Check.

The dc current source is checked by connecting the load resistor (10 Ω) across the 2220 signal clips. The source is turned on when the 2220 is placed in the microvoltmeter mode. The dc current drive is checked by measuring the voltage drop across the 10 Ω resistor resulting from the current applied through it.

Perform the following steps:

- Turn on the 2220 and set it to the 50 μ V range.
- Connect the 2220 signal clips (not the test probes) across a 10 Ω 1% resistor.
- Turn on the oscilloscope and adjust it to observe a voltage measurement that should be between 80 mV and 120 mV.
- Set the 2220 to the 500 μ V range and repeat step c.
- Remove the resistors and connect the oscilloscope directly across the 2220 signal clips. The voltage measured should not exceed 1 Vdc max.

5.3.5 600 KHz Check.

The 600 kHz signal trace current is checked by connecting a load resistor (10 Ω) across the 2220 signal clips. The source is turned on when the 2220 is placed in the signal trace mode. The current drive is checked by measuring the voltage drop across the 10 Ω resistor resulting from the ac signal current applied through it.

Perform the following steps:

- Turn on the 2220 and set it to the Signal trace mode.
- Connect the 2220 red and black signal clips (not the test probes) across a 10 Ω 1% resistor.
- Turn on the oscilloscope and connect it across the

resistor. Adjust the scope such that a square-wave pulse from 160 to 240 mV pk-pk with an approximate period of 1.7 μ s can be observed.

d. Remove the resistor. A pulse of approx. 500 mV should be observed.

5.3.6 Connectivity Mode Check.

A resistance of less than approximately 68 Ω detected across the test probes results in a tone from the 2220 speaker when the unit is in the connectivity mode. This threshold is not critical and is easily checked by placing two precision resistors with values that are near but above and below the threshold.

Perform the following steps:

- a. Turn on the 2220 and set it to the Connectivity mode.
- b. Turn the 2220 front-panel volume control up (cw).
- c. Touch the test probes (not the signal clips) together. A tone should be heard.
- d. Touch the probes across a 61.9 Ω resistor. A tone should be heard.
- e. Touch the probes across an 82.5 Ω resistor. There should be no tone.

5.4 ADJUSTMENTS.

5.4.1 General.

The 2220 has only a few factory-preset adjustments that ensure peak performance. Before any of the following adjustments are made check for a mechanical zero with the unit turned off. Adjust this zero with the meter-face screw adjustment. Then turn the unit on and let it warm up for 5 minutes before performing any of the following adjustments. The adjustments referred to below can be located by referring to Figure 5-1.

5.4.2 Microvoltmeter Adjustments.

385 Hz Oscillator Adjustment. The oscillator is adjusted through the setting of R43. Perform the following:

- a. Connect a frequency counter to U11-10 (PULSE 1).
- b. Adjust R43 until a reading of 380 \pm 7 Hz is obtained (period measurement of 2.584 to 2.681 ms).

Microvoltmeter Dc Offset Adjustment. Perform the following steps to zero the microvoltmeter.

- a. Touch the microvoltmeter red and black probes together (not the signal clips) to short the meter input. Do not hold the probe tips with your fingers because your body heat can induce small thermal emf's in the probes that can shift the meter zero.
- b. While observing the meter, adjust R25 for a zero meter deflection.

5.4.3 1.2 MHz Oscillator Adjust (Signal-Trace Mode).

The proper oscillator setting from which the 600 kHz drive signal is derived is not exactly 1.2 MHz. The oscillator frequency is set to the value that produces the maximum probe pre-amplifier response (TP1) on the output of U1. Perform the following:

- a. Set the OPERATING MODE switch to Signal Trace.
- b. Clip the red and black signal clips together.
- c. Connect an oscilloscope to TP1.
- d. Hold the wire of one of the joined signal clips against the side of the current-trace probe at the probe tip. Position the wire and probe for maximum response at TP1, and hold them steady until step e. is completed.
- e. While observing the oscilloscope, adjust C17 for a maximum amplitude.

5.5 DISASSEMBLY AND ACCESS.

Perform the following to access and remove the 2220-4700 Current-Trace Probe Board that contains most of the Bug Hound circuitry. The remaining circuitry including the meter, power transformer, etc. are easily accessed without removal from the chassis.

CAUTION

Observe the following precautions whenever you handle a circuit board or integrated circuit in this instrument.

MOS HANDLING PRECAUTIONS

- Place the instrument and parts on a grounded, conductive work surface.
- Ground yourself (with a strap having approx. 1 M Ω .)
- Ground the frame of any test instrument or soldering iron used.
- If the circuit board is to be stored or transported, enclose it in a conductive (anti-static) envelope.

a. Turn the unit upside down and remove the 4 screws from the chassis shell.

b. Slide the unit forward in the shell, and tip it up (toward the bottom of the chassis) and out.

To Remove the board:

c. Unplug the three connector blocks from their sockets on the board. Also, disconnect the two signal-trace probe leads from the board (J20, J21).

d. Remove the 6 screws that hold the board to the chassis. The board can now be carefully removed from the chassis. Lift it up to the rear so that the Operating Mode switch assembly clears the chassis holes.

e. Reverse the above procedure to re-assemble the unit.

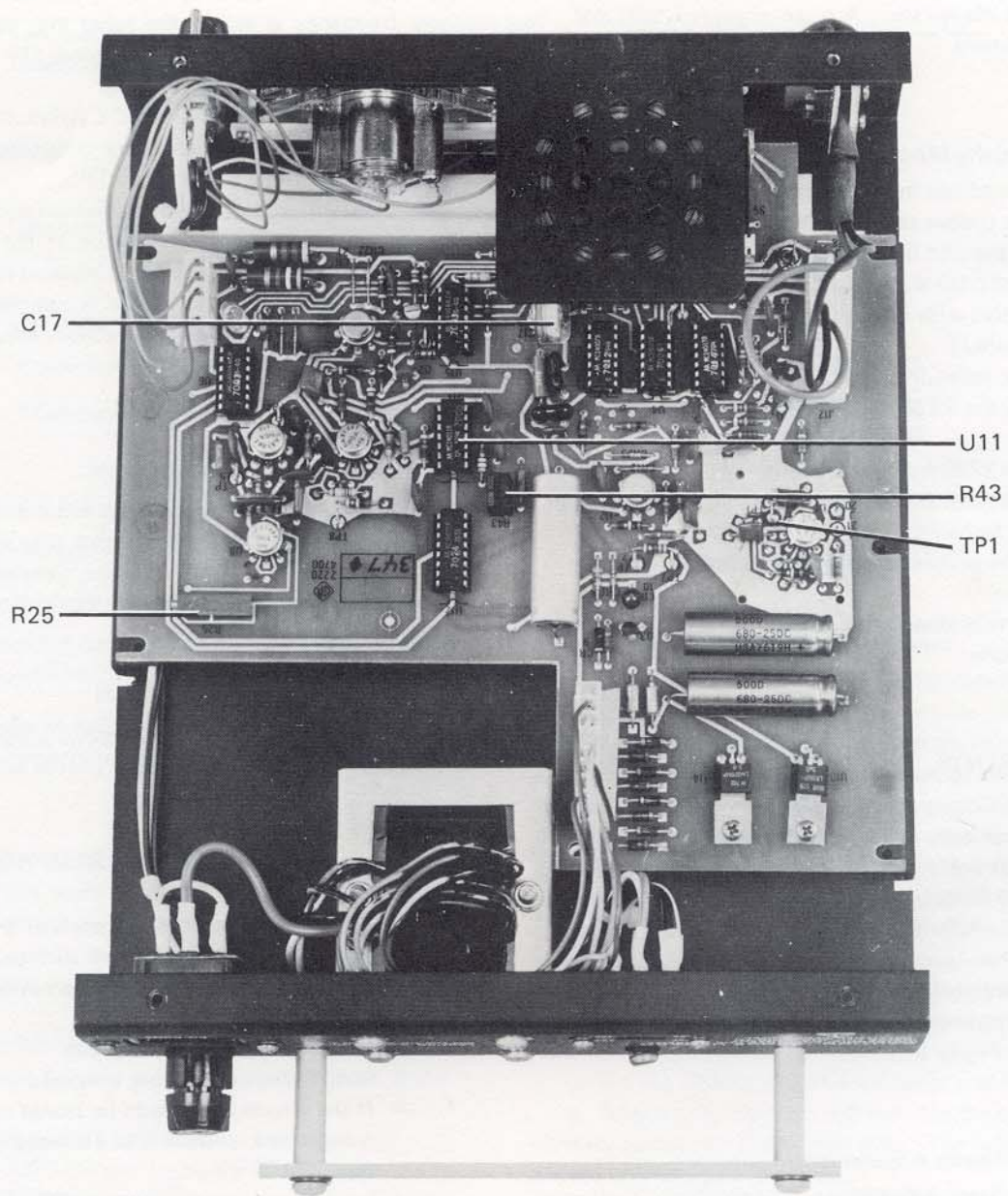


Figure 5-1. Interior — showing adjustments.

Parts Lists and Diagrams—Section 6

6.1 GENERAL	6-1
6.2 REFERENCE DESIGNATIONS	6-1
6.3 DIAGRAMS	6-1
Figure 6-1. Replaceable mechanical parts	6-3
Federal Manufacturer's Code	6-4
Figure 6-2. Bug Hound schematic diagram	6-8
Figure 6-3. Bug Hound circuit board composite	6-9

6.1 GENERAL.

This section contains the parts lists, circuit-board layout drawing and schematic for the instrument. (Section 4 contains functional block diagrams. Reference designation usage is described below.

6.2 REFERENCE DESIGNATIONS.

Each electrical part on an assembly is identified on equipment and drawings by means of a reference designator comprised of numbers and letters. Component types on an assembly are numbered sequentially, the numbers being

preceded by a letter designation that identifies the component (R for resistor, C for capacitor, etc.). Some of the less obvious designators are: DS, lamp; Q, transistor; U, integrated circuit; CR, diode; WT, wire tie point; J,P, connector.

6.3 DIAGRAMS.

The diagrams in this section are listed above. The unit consists of one board. The schematic for this board is Figure 6-2. The electrical components not mounted on the board (including the power transformer, meter, and others) are however shown in Figure 6-2.

Table 6-1
ACCESSORIES SUPPLIED

Quantity	Description	Part No.
1	Power cord, 210 cm (7 ft) long, 3-wire, AWG No. 18, with molded connector bodies.	4200-9625
1	Red and black test probes (set of 2 probes)	8160-0700
1	Red and black source clips (set of 2 probes)	2220-0220
1	Trace probe Asm.	2220-9710
1	Earphone	1935-9601

MECHANICAL PARTS LIST

Fig Ref	Quantity	Description	GR Part No.	FMC No.	Mfgr. No.
1	1	Shell	2220-8000	24655	2220-8000
2	1	Current Source Clip Asm.	2220-0220	24655	2220-9720
3	1	Power Plug Connector	4240-0250	82389	EAC-302
4	1	Handle	2220-8020	24655	2220-8020
5	1	Mounting Clip	5640-2405	06915	V-1001
6	1	Test Probe Set	8160-0700	24655	8160-0700
7	1	Fuse Holder	5650-0100	75915	342-004
8	1	Mounting Clip	5640-2408	06915	V-1004
-	1	Earphone (P1)-(not shown)	1935-9601	24655	1935-9601
9	1	Earphone Jack (J1)	4260-1110	82389	TR-2A
10	1	Trace Probe Asm.	2220-9710	24655	2220-4000
11	1	Bail	5250-2123	24655	5250-2123
12	2	Foot, soft	5260-2060	24655	5260-2060
13	1	Knob	5520-5133	24655	5520-5133

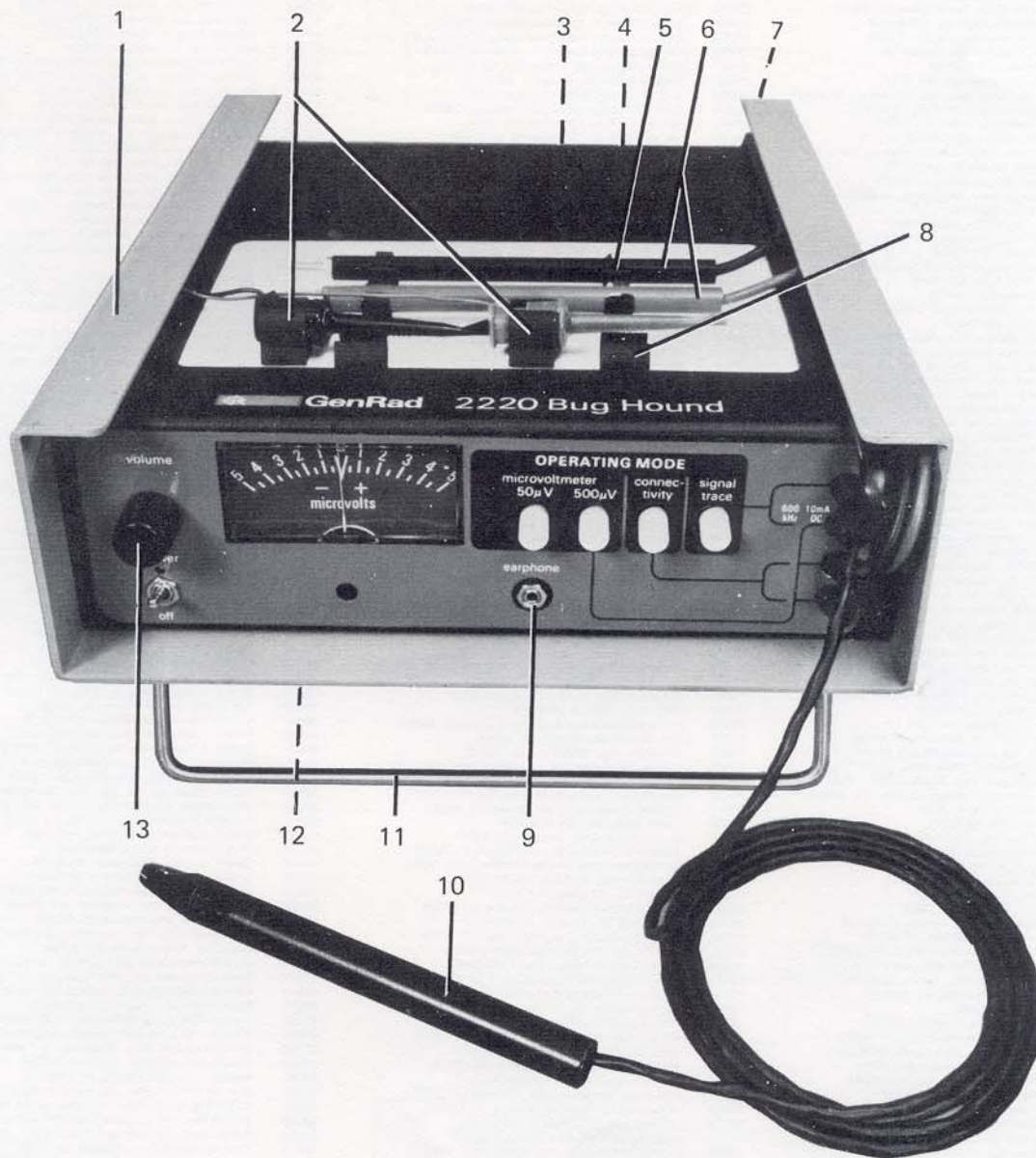
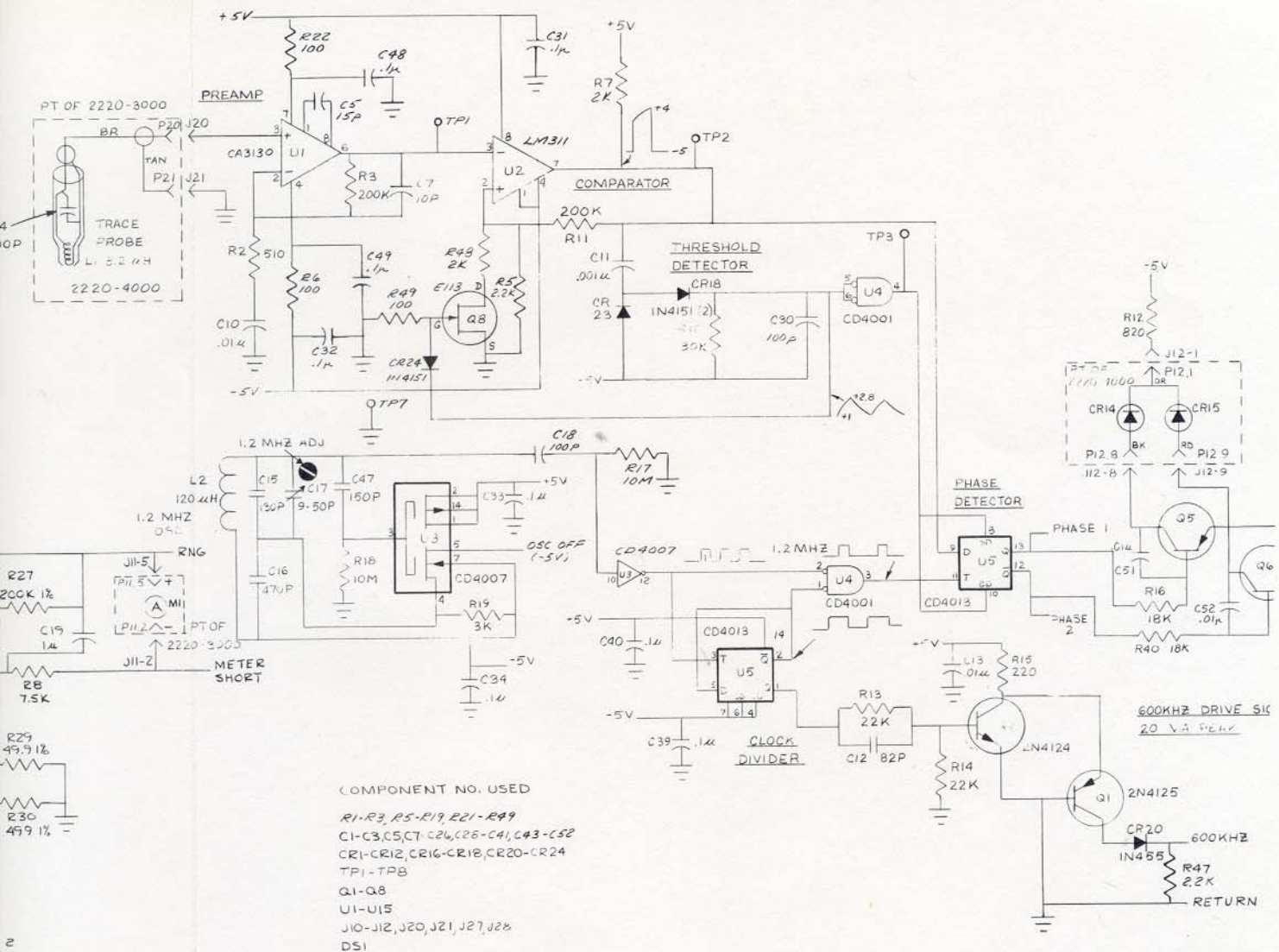
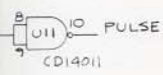


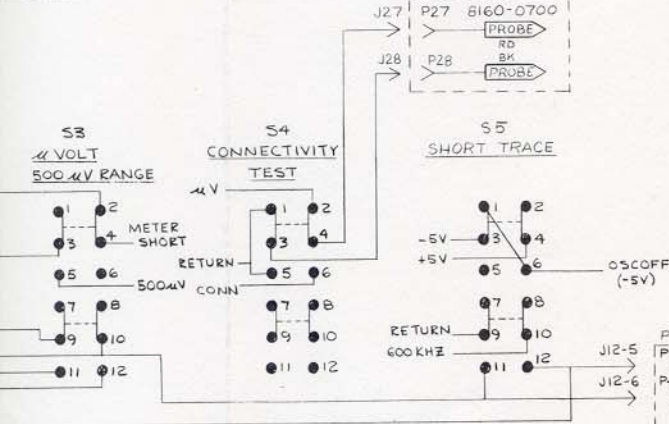
Figure 6-1. Replaceable mechanical parts.



- COMPONENT NO. USED
- R1-R3, R5-R19, R21-R49
 - C1-C3, C5, C7, C26, C28-C41, C43-C52
 - CR1-CR12, CR16-CR18, CR20-CR24
 - TP1-TP8
 - Q1-Q8
 - U1-U15
 - J10-J12, J20, J21, J27, J28
 - DS1



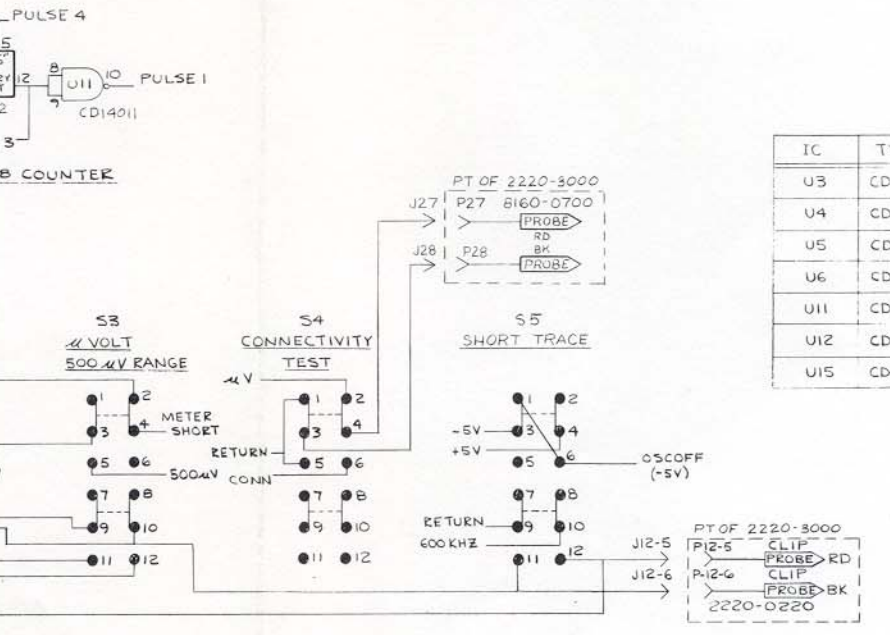
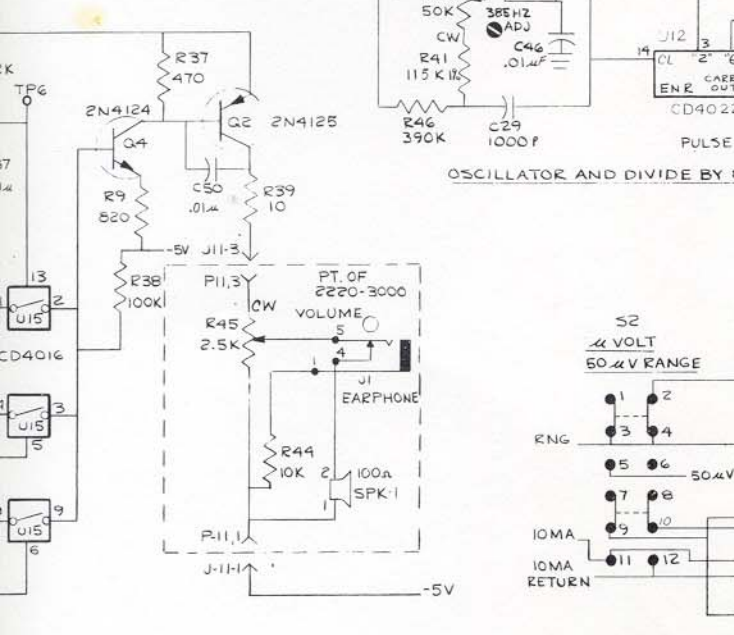
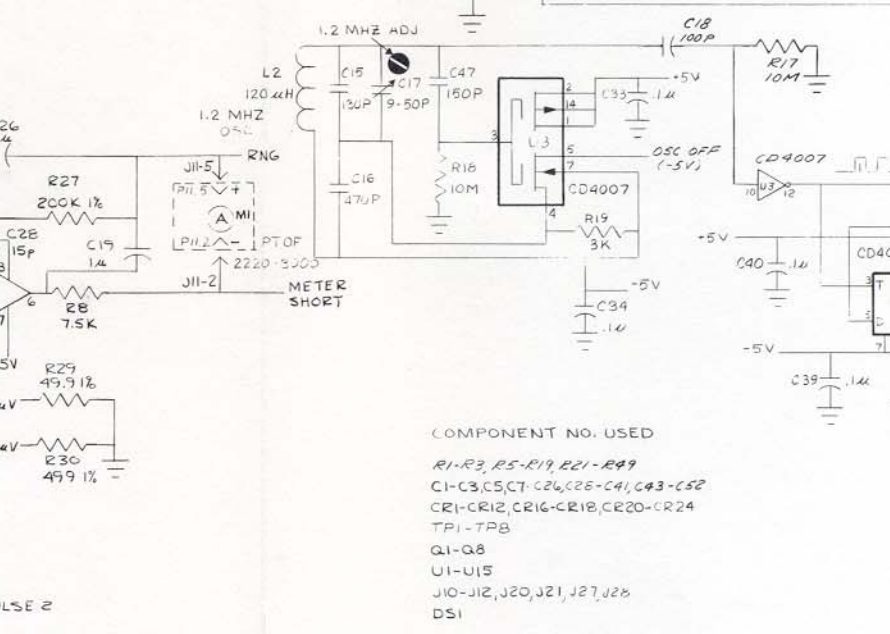
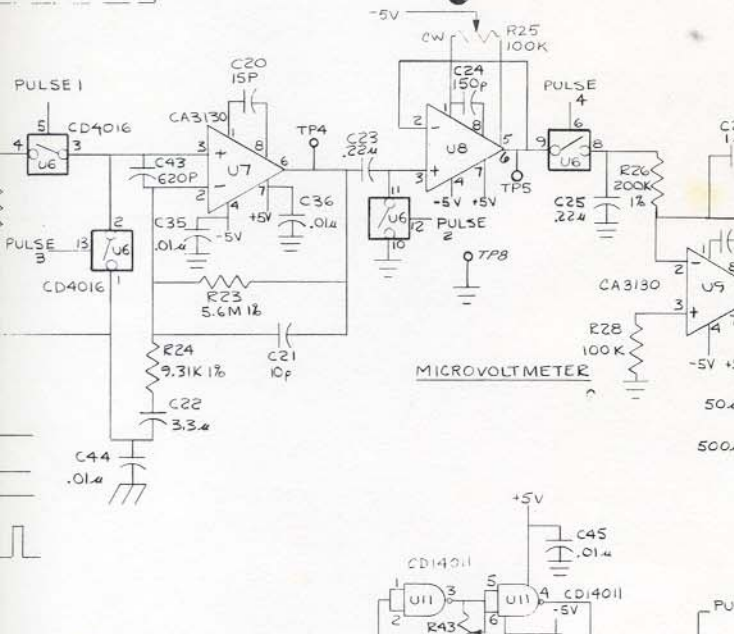
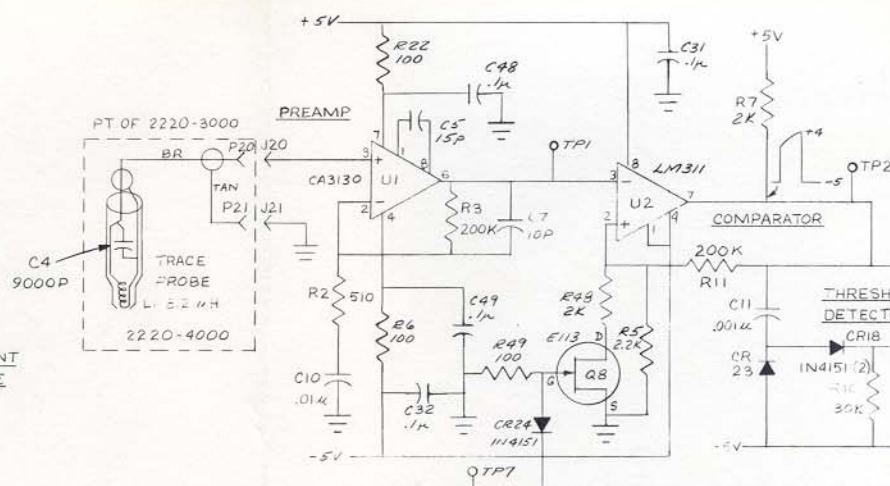
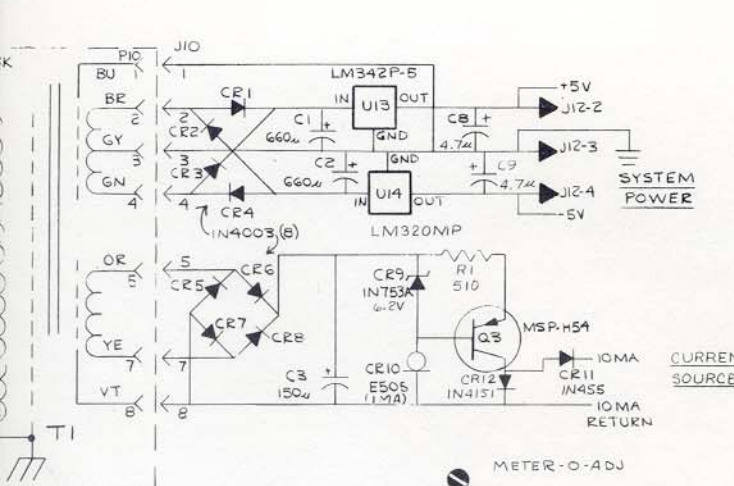
COUNTER



IC	TYPE	+5V	-5V	UNUSED PINS
U3	CD4007	1,2, 11,14	7,9	6,8,13
U4	CD4001	14	7	
U5	CD4013	14	4,6,7	
U6	CD4016	14	7	
U11	CD14011	14	7	11,12,13
U12	CD4022	16	8,13,15	1,2,4,7,10,11
U15	CD4016	14	7	10,11,12

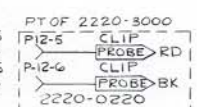
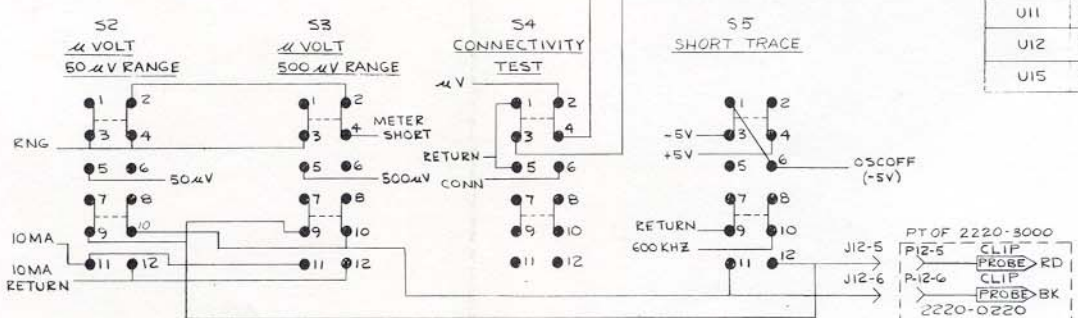
RESISTOR VALUES IN OHMS, K=10³ OHMS, M=10⁶ OHMS
 CAPACITOR VALUES IN MICROFARADS, P=10⁻⁹
 [Symbol] FRONT PANEL LEGEND [Symbol] REAR PANEL LEGEND
 [Symbol] SCREWDRIVER ADJUSTMENT
 [Symbol] WT: WIRE TIE [Symbol] TP: TEST POINT
 [Symbol] V.C. BOARD FINGER CONNECTION OR MALE CONTACT
 [Symbol] FEMALE CONTACT [Symbol] MATING CONTACTS
 [Symbol] SIGNAL FLOW [Symbol] SIGNAL PATH
 [Symbol] NUMBER OF CONNECTIONS TO THE SOURCE

Figure 6-2. Bug Hound schematic diagram.



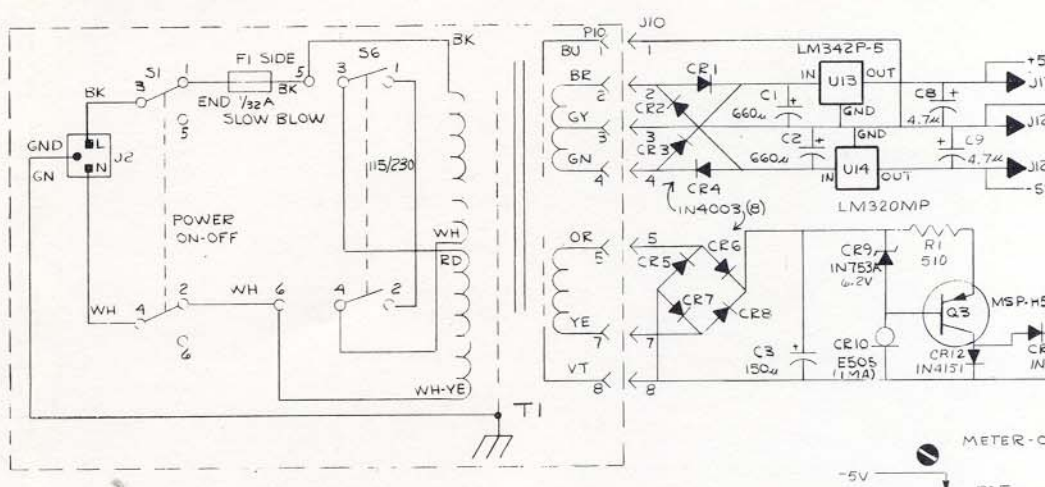
- COMPONENT NO. USED
- R1-R3, R5-R19, R21-R49
 - C1-C3, C5, C7, C26, C28-C41, C43-C52
 - CR1-CR12, CR16-CR18, CR20-CR24
 - TP1-TP8
 - Q1-Q8
 - U1-U15
 - J10-J12, J20, J21, J27, J28
 - DS1

IC	TY
U3	CD
U4	CD
U5	CD
U6	CD
U11	CD
U12	CD
U15	CD



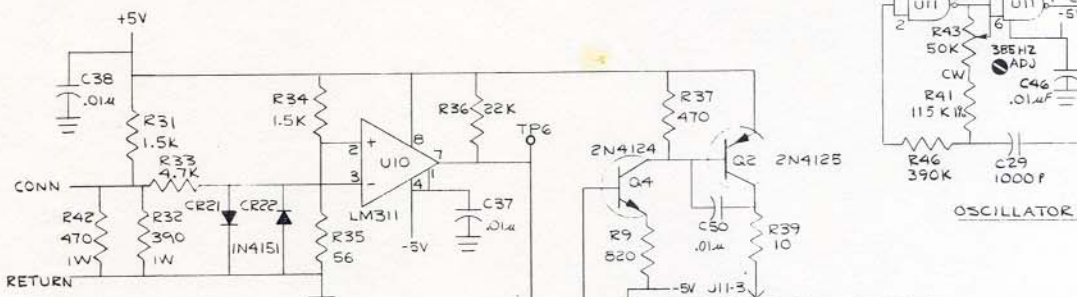
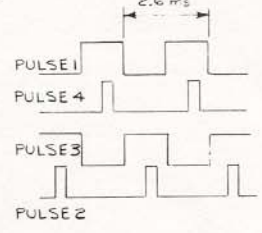
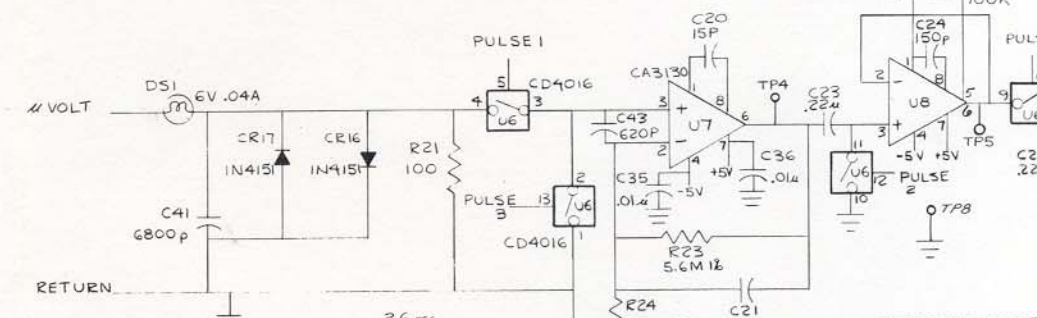
-3000

FMC	MFR	PART NUMBER
75915	313	.031
82389	TR-2A	
82389	EAC-302	
24655	5730-1445	
24655	4220-4454	
24655	4220-4620	
81349	RCR07G103J	
01121	WA1G040S252UA	
95146	MTA-206N	
82389	11A-1266	
24655	2220-2000	

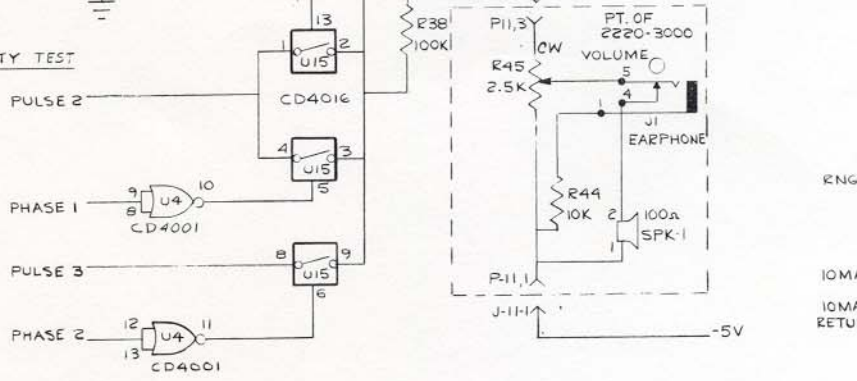


0-4000

FMC	MFR	PART NUMBER
56289	410P	.009 UF 5PCT
28480	5082-4494	
28480	5082-4494	
72259	DD-8.2	



CONNECTIVITY TEST



METER - O

MICROVOLT METER

OSCILLATOR

RNG

10MA

10MA

RETURN

ELECTRICAL PARTS LIST

BUG HOUND CHASSIS ASM P/N 2220-3000

REFDES	DESCRIPTION	PART NO.	FMC	MFGR	PART NUMBER
F 1	FUSE SLO-BLOW 1/32A 250V	5330-0200	75915	313	.031
J 1	MINATURE PHONE 2 CKT SW	4260-1110	82389	TR-2A	
J 2	RECEPTACLE POWER UL STD 15A250V	4240-0250	82389	EAC-302	
M 1	METER	5730-1445	24655	5730-1445	
P 11	CONNECTOR MULT PLUG 5 CIRCUITS	4220-4454	24655	4220-4454	
P 12	CONNECTOR MULT PLUG 9 CIRCUITS	4220-4620	24655	4220-4620	
R 44	RES COMP 10 K 5PCT 1/4W	6099-3105	81349	RCR07G103J	
R 45	POT COMP KNOB 2.5K OHM 10PCT LIN	6041-2259	01121	WA1G040S252UA	
S 1	SWITCH TOG MIN 2POS DPDT STEADY	7910-0812	95146	MTA-206N	
S 6	SWITCH SLIDE 2 POS DPDT STEADY S	7910-0832	82389	11A-1266	
T 1	TRANSFORMER ASM	2220-2000	24655	2220-2000	

TRACE PROBE CABLE ASM P/N 2220-4000

REFDES	DESCRIPTION	PART NO.	FMC	MFGR	PART NUMBER
C 4	CAP MYLAR .009UF 5 PCT 100V	4860-7510	56289	410P	.009 UF 5PCT
CR 14	LED RED	6084-1105	28480	5082-4494	
CR 15	LED RED	6084-1105	28480	5082-4494	
L 1	CHOKE MOLDED 8.2 UH 10PCT	4300-7558	72259	DD-8.2	

ELECTRICAL PARTS LIST

		CURRENT TRACING PROBE PC BOARD		P/N 2220-4700			
REFDES		DESCRIPTION	PART NO.	FMC	MFR	PART	NUMBER
C	1	CAP ALUM 660 UF 25V	4450-6125	56289		30D667G025	
C	2	CAP ALUM 660 UF 25V	4450-6125	56289		30D667G025	
C	3	CAP ALUM 150 UF 50V	4450-6050	56289		30D157G050	
C	5	CAP CER .1 SQ 15PF 5PCT 100V	4400-6481	72982		8101A100Y5F150J	
C	7	CAP CER .1 SQ 10PF 5PCT 100V	4400-6443	72982		8121A200X5F0100J	
C	8	CAP TANT 4.7 UF 20PCT 10V	4450-4700	56289		150D475X0010A2	
C	9	CAP TANT 4.7 UF 20PCT 10V	4450-4700	56289		150D475X0010A2	
C	10	CAP CER DISC .01UF 80/20PCT 100V	4401-3100	72982		0805540Z5U00103Z	
C	11	CAP CER DISC 1000PF 5PCT 500V	4405-2105	72982		0801082Z5D00102J	
C	12	CAP CER .1 SQ 82PF 5PCT 100V	4400-6489	72982		8101-A100-Y5F-820J	
C	13	CAP CER DISC .01UF 80/20PCT 100V	4401-3100	72982		0805540Z5U00103Z	
C	15	CAP MICA 130 PF 5PCT 500V	4700-0439	81349		CM05FD131JN	
C	16	CAP MICA 470 PF 5PCT 500V	4700-0601	81349		CM05FD471JN	
C	17	CAP CER TRIM 9-50 PF N750	4910-2060	72982		3192-000 E 9-50PF	
C	18	CAP CER .1SQ 100 PF 5PCT 100V	4400-6442	72982		8101A100Y5F101J	
C	19	CAP CER MONO 1UF 20PCT 50VGP	4400-2070	72982		8131-M050-651-105M	
C	20	CAP CER .1 SQ 15PF 5PCT 100V	4400-6481	72982		8101A100Y5F150J	
C	21	CAP CER .1 SQ 10PF 5PCT 100V	4400-6443	72982		8121A200X5F0100J	
C	22	CAP CER MONO 3.3UF 20PCT 50VGP	4400-2082	72982		8151-M050-651-335M	
C	23	CAP CER MONO 0.22UF 20PCT 50VGP	4400-2052	72982		8131-M050-651-224M	
C	24	CAP CER .1SQ 150 PF 5PCT 100V	4400-6491	72982		8101A100Y5F151J	
C	25	CAP CER MONO 0.22UF 20PCT 50VGP	4400-2052	72982		8131-M050-651-224M	
C	26	CAP CER MONO 1UF 20PCT 50VGP	4400-2070	72982		8131-M050-651-105M	
C	28	CAP CER .1 SQ 15PF 5PCT 100V	4400-6481	72982		8101A100Y5F150J	
C	29	CAP CER DISC 1000PF 5PCT 500V	4405-2105	72982		0801082Z5D00102J	
C	30	CAP CER .1SQ 100 PF 5PCT 100V	4400-6442	72982		8101A100Y5F101J	
C	31	CAP CER MONO 0.1UF 20PCT 50VGP	4400-2050	72982		8131-M050-651-104M	
C	32	CAP CER MONO 0.1UF 20PCT 50VGP	4400-2050	72982		8131-M050-651-104M	
C	33	CAP CER MONO 0.1UF 20PCT 50VGP	4400-2050	72982		8131-M050-651-104M	
C	34	CAP CER MONO 0.1UF 20PCT 50VGP	4400-2050	72982		8131-M050-651-104M	
C	35	CAP CER DISC .01UF 80/20PCT 100V	4401-3100	72982		0805540Z5U00103Z	
C	36	CAP CER DISC .01UF 80/20PCT 100V	4401-3100	72982		0805540Z5U00103Z	
C	37	CAP CER DISC .01UF 80/20PCT 100V	4401-3100	72982		0805540Z5U00103Z	
C	38	CAP CER DISC .01UF 80/20PCT 100V	4401-3100	72982		0805540Z5U00103Z	
C	39	CAP CER MONO 0.1UF 20PCT 50VGP	4400-2050	72982		8131-M050-651-104M	
C	40	CAP CER MONO 0.1UF 20PCT 50VGP	4400-2050	72982		8131-M050-651-104M	
C	41	CAP CER MONO .0068UF 10PCT 50V	4400-6355	72982		8121-M050-W5R-682K	
C	44	CAP CER DISC .01UF 80/20PCT 100V	4401-3100	72982		0805540Z5U00103Z	
C	45	CAP CER DISC .01UF 80/20PCT 100V	4401-3100	72982		0805540Z5U00103Z	
C	46	CAP CER DISC .01UF 80/20PCT 100V	4401-3100	72982		0805540Z5U00103Z	
C	47	CAP CER .1SQ 150 PF 5PCT 100V	4400-6491	72982		8101A100Y5F151J	
C	48	CAP CER MONO 0.1UF 20PCT 50VGP	4400-2050	72982		8131-M050-651-104M	
C	49	CAP CER MONO 0.1UF 20PCT 50VGP	4400-2050	72982		8131-M050-651-104M	
C	50	CAP CER DISC .01UF 80/20PCT 100V	4401-3100	72982		0805540Z5U00103Z	
C	51	CAP CER DISC .01UF 80/20PCT 100V	4401-3100	72982		0805540Z5U00103Z	
C	52	CAP CER DISC .01UF 80/20PCT 100V	4401-3100	72982		0805540Z5U00103Z	
CR	1	DIODE RECTIFIER 1N4003	6081-1001	14433		1N4003	
CR	2	DIODE RECTIFIER 1N4003	6081-1001	14433		1N4003	
CR	3	DIODE RECTIFIER 1N4003	6081-1001	14433		1N4003	
CR	4	DIODE RECTIFIER 1N4003	6081-1001	14433		1N4003	
CR	5	DIODE RECTIFIER 1N4003	6081-1001	14433		1N4003	
CR	6	DIODE RECTIFIER 1N4003	6081-1001	14433		1N4003	
CR	7	DIODE RECTIFIER 1N4003	6081-1001	14433		1N4003	
CR	8	DIODE RECTIFIER 1N4003	6081-1001	14433		1N4003	
CR	9	ZENER 1N753A 6.2V 5PCT .4W	6083-1006	14433		1N753A	
CR	10	TRANS E-505 CS 1AM TU106	8215-0101	17856		E505	
CR	11	DIODE 1N455 30PIV IR 30UA GE	6082-1010	14433		1N455	
CR	12	DIODE 1N4151 75PIV IR.1UA SI	6082-1001	14433		1N3604	
CR	16	DIODE 1N4151 75PIV IR.1UA SI	6082-1001	14433		1N3604	
CR	17	DIODE 1N4151 75PIV IR.1UA SI	6082-1001	14433		1N3604	
CR	18	DIODE 1N4151 75PIV IR.1UA SI	6082-1001	14433		1N3604	
CR	20	DIODE 1N455 30PIV IR 30UA GE	6082-1010	14433		1N455	
CR	21	DIODE 1N4151 75PIV IR.1UA SI	6082-1001	14433		1N3604	
CR	22	DIODE 1N4151 75PIV IR.1UA SI	6082-1001	14433		1N3604	
CR	23	DIODE 1N4151 75PIV IR.1UA SI	6082-1001	14433		1N3604	
CR	24	DIODE 1N4151 75PIV IR.1UA SI	6082-1001	14433		1N3604	
DS	1	LAMP BI-FIN BASE 6V .04A 10000H	5600-1200	71744		CM7-7945	
J	10	CONNECTOR WAFER 9 CIRCUITS	4230-4611	24655		4230-4611	
J	11	CONNECTOR WAFER 5 CIRCUITS	4230-4610	24655		4230-4610	
J	12	CONNECTOR WAFER 9 CIRCUITS	4230-4611	24655		4230-4611	
J	27	TERMINAL PUSH-ON .188 BLADE	7920-0135	70611		56964-1	
J	28	TERMINAL PUSH-ON .188 BLADE	7920-0135	70611		56964-1	
L	2	CHOKE SHIELDED 120 UH 10PCT	4300-6366	24759		AA-5-28 120UH 10PCT	
Q	1	TRANSISTOR 2N4125	8210-1125	04713		2N4125	
Q	2	TRANSISTOR 2N4125	8210-1125	04713		2N4125	
Q	3	TRANSISTOR MPS-H54	8210-1273	04713		MPS-H54	

NOTE: Orientation: Viewed from parts side. Part number: Refer to caption.
 Symbolism: Outlined area = part; gray ckt pattern = parts side, black (if any) = other side. Pins: Square pad in ckt pattern = collector, I-C pin 1, cathode (of diode), or + end (of capacitor).

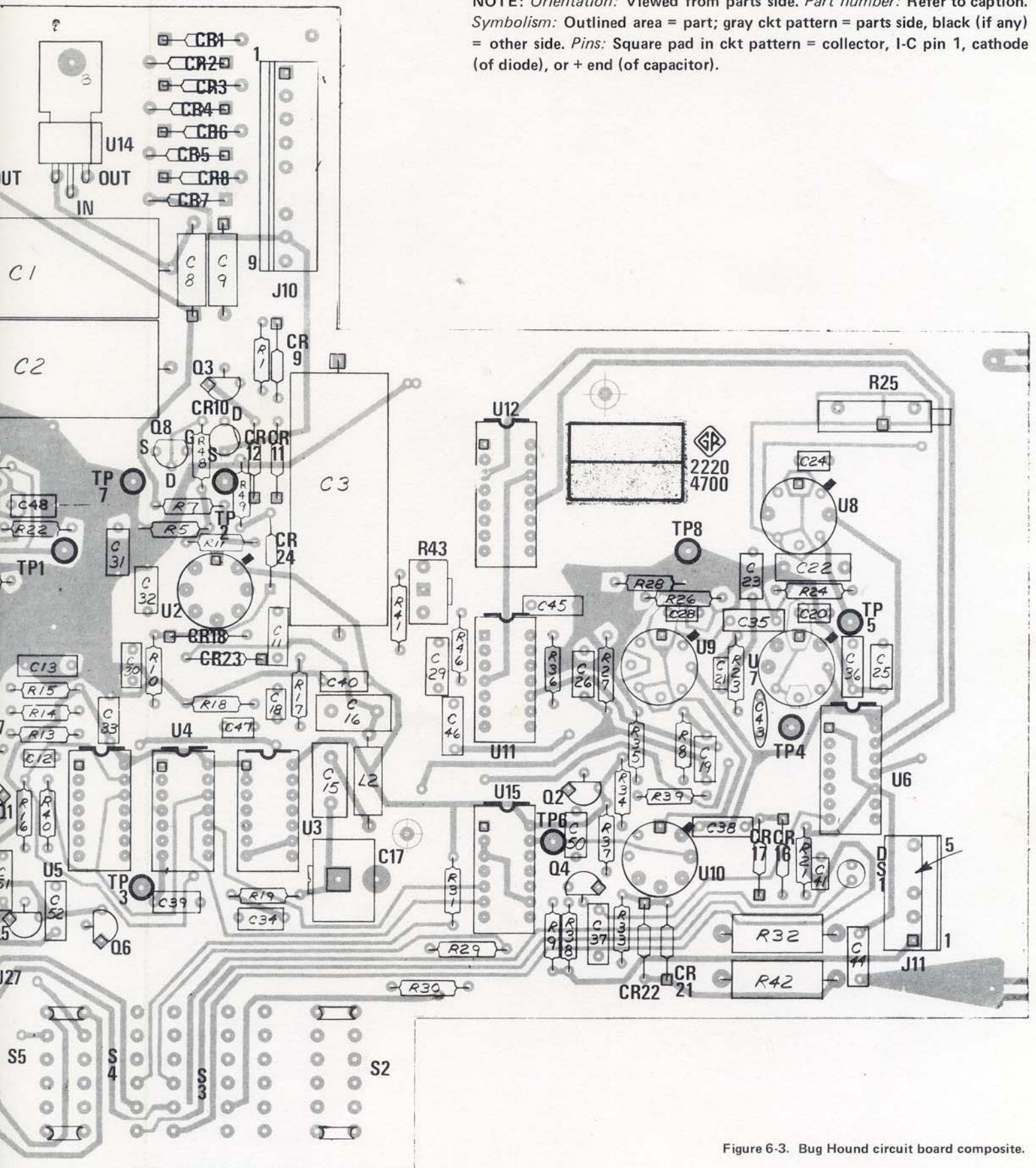
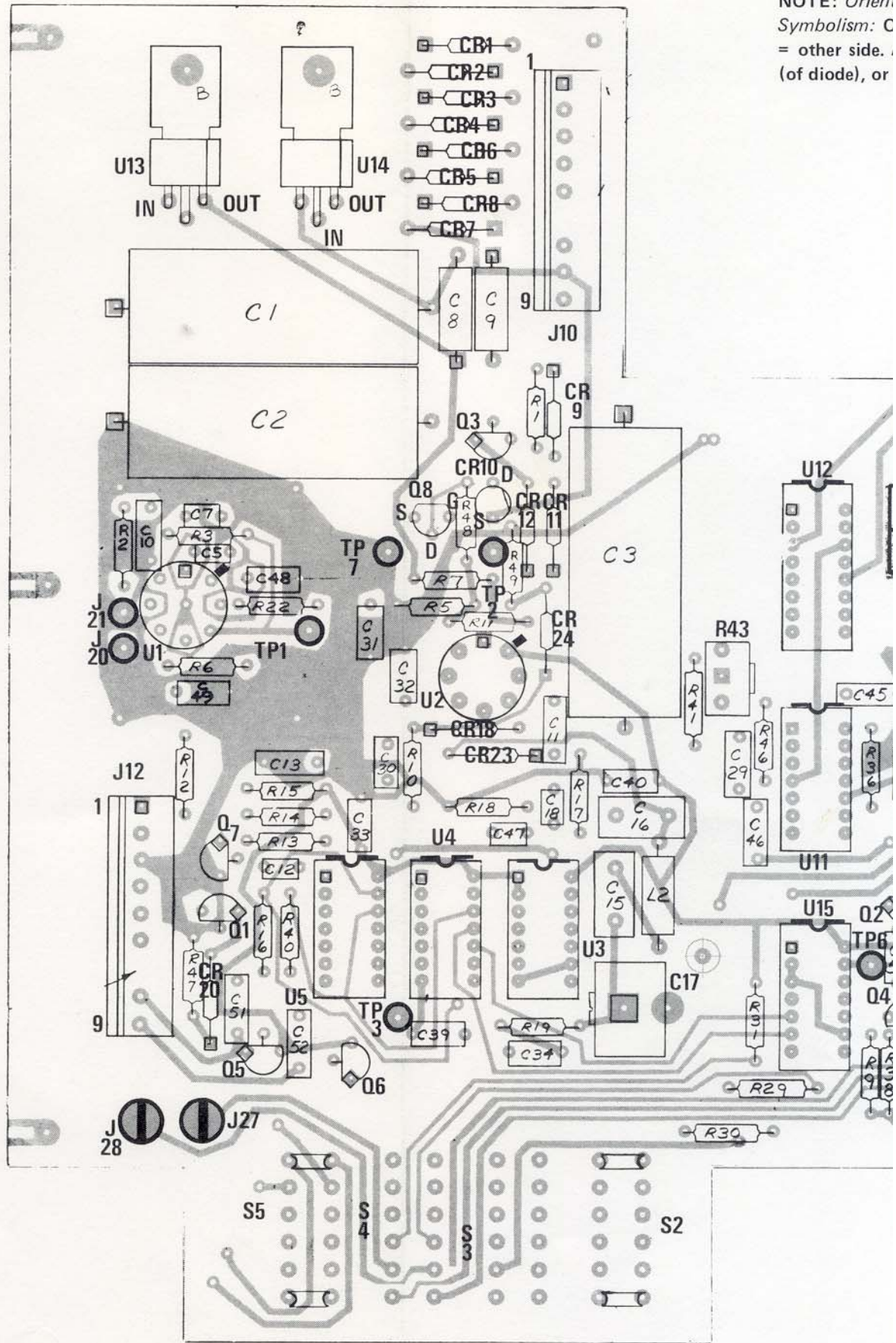


Figure 6-3. Bug Hound circuit board composite.

DIAGRAMS
(VIEW)



NOTE: Oriem
Symbolism: C
= other side.
(of diode), or

PART NUMBER

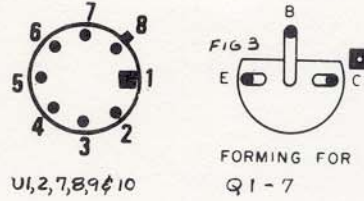
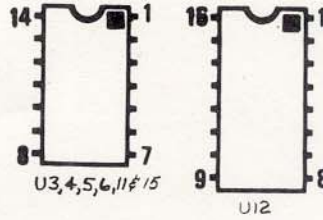
124
 125
 125
 124
 13
 07G511J
 07G511J
 07G204J
 07G222J
 07G101J
 07G202J
 07G752J
 07G821J
 07G303J
 07G204J
 07G821J
 07G223J
 07G223J
 07G221J
 07G183J
 07G106J
 07G106J
 07G302J
 07G101J
 07G101J
 5D5624F
 5D9311F
 5P-1-104
 5D2003F
 5D2003F
 07G104J
 5D49R9F
 5D4990F
 07G152J
 52G391J
 07G472J
 07G152J
 07G560J
 07G223J
 07G471J
 07G104J
 07G100J
 07G183J
 5D1153F
 52G471J
 5S-1-503
 07G394J
 07G222J
 07G202J
 07G104J

1-2038
 1-2038
 1-2038
 1-2038

1-2600
 1-2600
 1-2600
 1-2600
 1-2600
 1-2600
 1-2600
 1-2600

30T
 1H
 07AE
 01AE
 13AE
 16AE
 30T
 30T
 30T
 30T
 11H
 011AE
 022AE
 42P-5
 2JMP-5.0
 016AE

BASE DIAGRAMS
 (BOTTOM VIEW)



J
 21
 J
 20
 J
 1
 9
 J
 28

ELECTRICAL PARTS LIST (cont)

CURRENT TRACING PROBE PC BOARD P/N 2220-4700

REFDES	DESCRIPTION	PART NO.	FMC	MFGR	PART NUMBER
Q 4	TRANSISTOR 2N4124	8210-1154	04713	2N4124	
Q 5	TRANSISTOR 2N4125	8210-1125	04713	2N4125	
Q 6	TRANSISTOR 2N4125	8210-1125	04713	2N4125	
Q 7	TRANSISTOR 2N4124	8210-1154	04713	2N4124	
Q 8	TRANSISTOR E-113	8210-1229	17856	E-113	
R 1	RES COMP 510 OHM 5PCT 1/4W	6099-1515	81349	RCR07G511J	
R 2	RES COMP 510 OHM 5PCT 1/4W	6099-1515	81349	RCR07G511J	
R 3	RES COMP 200 K OHM 5PCT 1/4W	6099-4205	81349	RCR07G204J	
R 5	RES COMP 2.2 K 5PCT 1/4W	6099-2225	81349	RCR07G222J	
R 6	RES COMP 100 OHM 5PCT 1/4W	6099-1105	81349	RCR07G101J	
R 7	RES COMP 2.0 K OHM 5PCT 1/4W	6099-2205	81349	RCR07G202J	
R 8	RES COMP 7.5 K OHM 5PCT 1/4W	6099-2755	81349	RCR07G752J	
R 9	RES COMP 820 OHM 5PCT 1/4W	6099-1825	81349	RCR07G821J	
R 10	RES COMP 30 K OHM 5PCT 1/4W	6099-3305	81349	RCR07G303J	
R 11	RES COMP 200 K OHM 5PCT 1/4W	6099-4205	81349	RCR07G204J	
R 12	RES COMP 820 OHM 5PCT 1/4W	6099-1825	81349	RCR07G821J	
R 13	RES COMP 22 K 5PCT 1/4W	6099-3225	81349	RCR07G223J	
R 14	RES COMP 22 K 5PCT 1/4W	6099-3225	81349	RCR07G223J	
R 15	RES COMP 220 OHM 5PCT 1/4W	6099-1225	81349	RCR07G221J	
R 16	RES COMP 18 K 5PCT 1/4W	6099-3185	81349	RCR07G183J	
R 17	RES COMP 10 M 5PCT 1/4W	6099-6105	81349	RCR07G106J	
R 18	RES COMP 10 M 5PCT 1/4W	6099-6105	81349	RCR07G106J	
R 19	RES COMP 3.0 K OHM 5PCT 1/4W	6099-2305	81349	RCR07G302J	
R 21	RES COMP 100 OHM 5PCT 1/4W	6099-1105	81349	RCR07G101J	
R 22	RES COMP 100 OHM 5PCT 1/4W	6099-1105	81349	RCR07G101J	
R 23	RES FLM 5.62M 1 PCT 1/8W	6250-4562	81349	RN5505624F	
R 24	RES FLM 9.31 K 1 PCT 1/8W	6250-1931	81349	RN5509311F	
R 25	POT CERM TRM 100K OHM 10 PCT 15T	6049-0192	80294	3006P-1-104	
R 26	RES FLM 200K 1 PCT 1/8W	6250-3200	81349	RN5502003F	
R 27	RES FLM 200K 1 PCT 1/8W	6250-3200	81349	RN5502003F	
R 28	RES COMP 100 K 5PCT 1/4W	6099-4105	81349	RCR07G104J	
R 29	RES FLM 49.9 OHM 1 PCT 1/8W	6250-9499	81349	RN5504999F	
R 30	RES FLM 499 OHM 1 PCT 1/8W	6250-0499	81349	RN5504990F	
R 31	RES COMP 1.5 K 5PCT 1/4W	6099-2155	81349	RCR07G152J	
R 32	RES COMP 390 OHM 5PCT 1W	6110-1395	81349	RCR32G391J	
R 33	RES COMP 4.7 K 5PCT 1/4W	6099-2475	81349	RCR07G472J	
R 34	RES COMP 1.5 K 5PCT 1/4W	6099-2155	81349	RCR07G152J	
R 35	RES COMP 56 OHM 5PCT 1/4W	6099-0565	81349	RCR07G560J	
R 36	RES COMP 22 K 5PCT 1/4W	6099-3225	81349	RCR07G223J	
R 37	RES COMP 470 OHM 5PCT 1/4W	6099-1475	81349	RCR07G471J	
R 38	RES COMP 100 K 5PCT 1/4W	6099-4105	81349	RCR07G104J	
R 39	RES COMP 10 OHM 5PCT 1/4W	6099-0105	81349	RCR07G100J	
R 40	RES COMP 18 K 5PCT 1/4W	6099-3185	81349	RCR07G183J	
R 41	RES FLM 115K 1 PCT 1/8W	6250-3115	81349	RN5501153F	
R 42	RES COMP 470 OHM 5PCT 1W	6110-1475	81349	RCR32G471J	
R 43	POT CERM TRM 50K OHM 20 PCT 1T	6049-0320	80294	3386S-1-503	
R 46	RES COMP 390 K 5PCT 1/4W	6099-4395	81349	RCR07G394J	
R 47	RES COMP 2.2 K 5PCT 1/4W	6099-2225	81349	RCR07G222J	
R 48	RES COMP 2.0 K OHM 5PCT 1/4W	6099-2205	81349	RCR07G202J	
R 49	RES COMP 100 K 5PCT 1/4W	6099-4105	81349	RCR07G104J	
S 2	SWITCH PUSHBUTTON MULT 4 SECT	7880-2038	24655	7880-2038	
S 3	SWITCH PUSHBUTTON MULT 4 SECT	7880-2038	24655	7880-2038	
S 4	SWITCH PUSHBUTTON MULT 4 SECT	7880-2038	24655	7880-2038	
S 5	SWITCH PUSHBUTTON MULT 4 SECT	7880-2038	24655	7880-2038	
TP 1	TERMINAL PC TEST PT	7970-2600	24655	7970-2600	
TP 2	TERMINAL PC TEST PT	7970-2600	24655	7970-2600	
TP 3	TERMINAL PC TEST PT	7970-2600	24655	7970-2600	
TP 4	TERMINAL PC TEST PT	7970-2600	24655	7970-2600	
TP 5	TERMINAL PC TEST PT	7970-2600	24655	7970-2600	
TP 6	TERMINAL PC TEST PT	7970-2600	24655	7970-2600	
TP 7	TERMINAL PC TEST PT	7970-2600	24655	7970-2600	
TP 8	TERMINAL PC TEST PT	7970-2600	24655	7970-2600	
U 1	ICL CA3130T COS MOS	5432-7000	86684	CA3130T	
U 2	IC LINEAR LM311	5432-1023	10204	LM311H	
U 3	ICD CD4007AE 14D D COM PR PL INV	5431-7012	86684	CD4007AE	
U 4	ICD CD4001AE 14D Q 2IN NOR	5431-7004	86684	CD4001AE	
U 5	ICD CD4013AE 14D DUAL D FLI-FLO	5431-7014	86684	CD4013AE	
U 6	ICD CD4016AE 14D Q BIL SW	5431-7003	86684	CD4016AE	
U 7	ICL CA3130T COS MOS	5432-7000	86684	CA3130T	
U 8	ICL CA3130T COS MOS	5432-7000	86684	CA3130T	
U 9	ICL CA3130T COS MOS	5432-7000	86684	CA3130T	
U 10	IC LINEAR LM311	5432-1023	10204	LM311H	
U 11	INTEGRATED CIRCUITS	5431-7034	86684	CD4011AE	
U 12	ICD CD4022AE 16D DIV BY 8 CNTR	5431-7024	86684	CD4022AE	
U 13	IC LINEAR LM342P-5	5432-1058	12040	LM342P-5	
U 14	ICL LM320MP-5.0VOLT 3TERM REG	5432-1061	12040	LM320MP-5.0	
U 15	ICD CD4016AE 14D Q BIL SW	5431-7003	86684	CD4016AE	



GenRad

300 Baker Avenue
Concord, Massachusetts 01742

ATLANTA

Alabama, Florida, Georgia, Mississippi, North Carolina,
South Carolina, Tennessee
1 Dunwoody Park, Suite 107, Atlanta, GA 30341
Tel: 404/394-5380

*BOSTON

Connecticut, Maine, Massachusetts, New Hampshire,
Rhode Island, Vermont

(SALES)
Route 117, Bolton, MA 01740
Tel: 617/646-0550

(SERVICE)

300 Baker Avenue, Concord, MA 01742
Tel: 617/369-8770 • TWX: 710 347-1051

*CHICAGO

Illinois, Iowa, Kansas, Minnesota, Missouri, Nebraska,
North Dakota, South Dakota, Wisconsin
1067 E. State Parkway, Schaumburg, IL 60195
Tel: 312/884-6900 • TWX: 910 291-1209

DALLAS

Arkansas, Colorado, Louisiana, New Mexico, Oklahoma,
Texas, Wyoming
777 South Central Expressway, Suite 4-A,
Richardson, TX 75080
Tel: 214/234-3357 • TWX: 910 867-4471

DAYTON

Kentucky, Indiana, Michigan, Ohio, Western Pennsylvania
3300 South Dixie Drive, Dayton, OH 45439
Tel: 513/294-1500 • TWX: 810 459-1785

*LOS ANGELES

Arizona, Southern California, Hawaii,
Nevada (Clark County only)
P.O. Box 19500, 17361 Armstrong Avenue
Irvine Industrial Complex, Irvine, CA 92714
Tel: 714/540-9830 • TWX: 910 595-1762

*NEW YORK

Delaware, New Jersey, New York, Eastern Pennsylvania
380 Midland Avenue, Saddle Brook, NJ 07662
Tel: (NJ) 201/791-8990, (NY) 212/964-2722
TWX: 710 988-2205

SAN FRANCISCO

Northern California, Idaho, Montana,
Nevada (except Clark County), Oregon, Washington, Utah
2855 Bowers Avenue, Santa Clara, CA 95051
Tel: 408/985-0662 • TWX: 910 338-0291

Alaska 907/279-5741

*WASHINGTON, DC

Maryland, Virginia, West Virginia, (Washington, DC)
15 Firstfield Road, Gaithersburg, MD 20760
Tel: 301/948-7071 • TWX: 710 828-9741

CANADA

*GenRad, Ltd.

307 Evans Avenue, Toronto, Ontario M8Z 1K2
Tel: 416/252-3395 • TELEX: 06-96724

Montreal 514/747-1052
Ottawa Zenith 88630

EUROPE, AFRICA, and NEAR EAST

*GenRad International AG

P.O. Box CH-8034, Zürich, Switzerland
Tel: (01) 55 24 20 • TELEX: 854-53638

*Paris (01) 797 07 39

*Milano (02) 20 92 57

*München (089) 40 18 01

*Bourne End (UK) (06285) 2 66 11

*ASIA, PACIFIC, and LATIN AMERICA

GenRad, Marketing & International Division

300 Baker Avenue, Concord, MA 01742
TWX: 710 347-1051 • TELEX: 92-3354
Cable: GENRADCO CONCORD (Mass)

300 Baker Ave, Concord, MA 01742