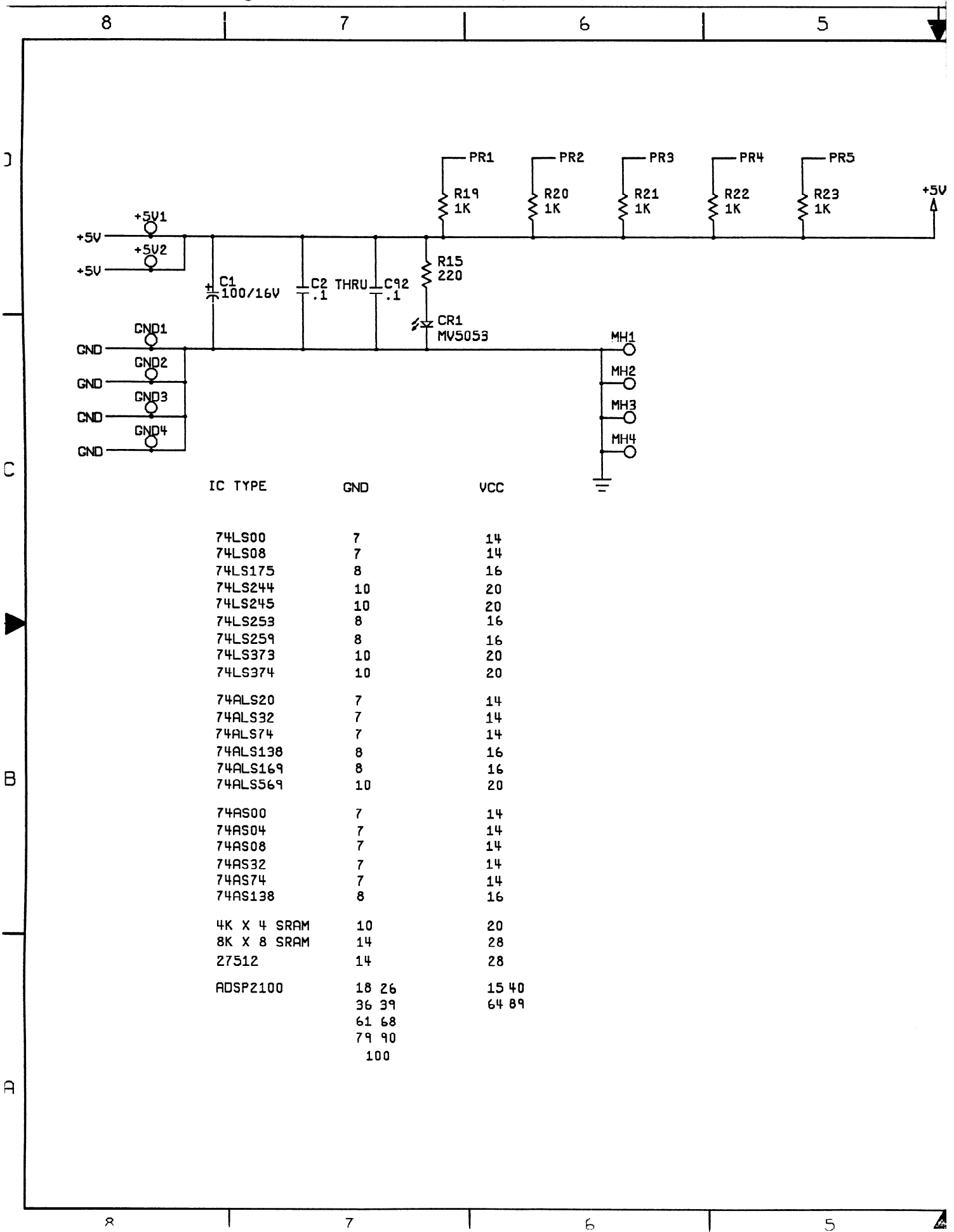


PROG



4

3

2

1

REVISIONS					
SYM	DESCRIPTION	DATE	INCRP	CHECK	APPROVED
A	PRODUCTION RELEASE	7-18 1988	GRP	R.L.	Jm R

+5V
↑

	1	2	3	4	5	6	7	8	9	10	11	12	13
N	25 DMA0	27 RESET	29 HALT	31 TRAP	33 PMS	36 GND	39 GND	40 VDD	43 BG	45 PMD23	47 PMD21	48 PMD20	50 PMD18
M	23 DMA2	26 GND	28 DMACK	30 PMDA	32 DMS	35 DMWR	37 DMRD	41 BR	44 PMRD	46 PMD22	49 PMD19	51 PMD17	52 PMD16
L	22 DMA3	24 DMA1				34 PMWR	38 CLK1	42 CLK0				53 PMD15	54 PMD14
K	20 DMA5	21 DMA4										55 PMD13	56 PMD12
J	18 GND	19 DMA6										57 PMD11	58 PMD10
H	15 VDD	16 DMA8	17 DMA7								59 PMD9	60 PMD8	61 GND
G	14 DMA9	12 DMA11	13 DMA10								63 PMD6	62 PMD7	64 VDD
F	11 DMA12	10 DMA13	9 DMA15								67 PMD3	66 PMD4	65 PMD5
E	8 DMD14	7 DMD13										69 PMD2	68 GND
D	6 DMD12	5 DMD11										71 PMD0	70 PMD1
C	4 DMD10	3 DMD9	INDEX PIN			92 IRQ0	88 IRQ2	84 PMA11				74 PMA2	72 PMA0
B	2 DMD8	1 DMD7	99 DMD6	96 DMD3	94 DMD1	91 IRQ1	87 IRQ3	85 PMA12	82 PMA9	80 PMA7	78 PMA6	76 PMA4	73 PMA1
A	100 GND	98 DMD5	97 DMD4	95 DMD2	93 DMD0	90 GND	89 VDD	86 PMA13	83 PMA10	81 PMA8	79 GND	77 PMA5	75 PMA3

ADSP - 2100
PIN LOCATIONS

BOTTOM VIEW
(PINS UP)

A044421-21	DRIVING SIMULATOR
NEXT ASSY	FIRST USED ON

NOTICE TO ALL PERSONS RECEIVING THIS DRAWING
CONFIDENTIAL: REPRODUCTION FORBIDDEN WITHOUT THE SPECIFIC WRITTEN PERMISSION OF ATARI GAMES CORPORATION. HELPING, OR THIS DRAWING IS ONLY CONDITIONALLY ISSUED, AND NEITHER RECEIPT NOR POSSESSION THEREOF CONFERS OR TRANSFERS ANY RIGHT OR LICENSE TO USE, THE SUBJECT MATTER OF THE DRAWING OR ANY DESIGN OR TECHNOLOGY SUPERSEDED BY THE DRAWING OR ANY DESIGN OR TECHNOLOGY SUPERSEDED BY THE DRAWING. NO PART SHALL BE REPRODUCED OR TRANSMITTED IN ANY FORM OR BY ANY MEANS, ELECTRONIC OR MECHANICAL, INCLUDING PHOTOCOPYING, RECORDING, OR BY ANY INFORMATION STORAGE AND RETRIEVAL SYSTEM, WITHOUT PERMISSION FROM THE CORPORATION.

DO NOT SCALE DRAWING	DRAWN BY G POPKIN	DATE 7-18-88
UNLESS OTHERWISE SPECIFIED DIMENSIONS ARE IN INCHES	CHECKED BY G.P.	DATE 8-2-88
TOLERANCES ON: ANGLES ± 1° .XX ± .01 .XXX ± .003	ENGR, ELEC P. Mauden	DATE 8-2-88
MATERIAL: SEE PL A044421-01 A044421-21	PROJ ENGR K. M... R...	DATE 8-3-88
FINISH:		

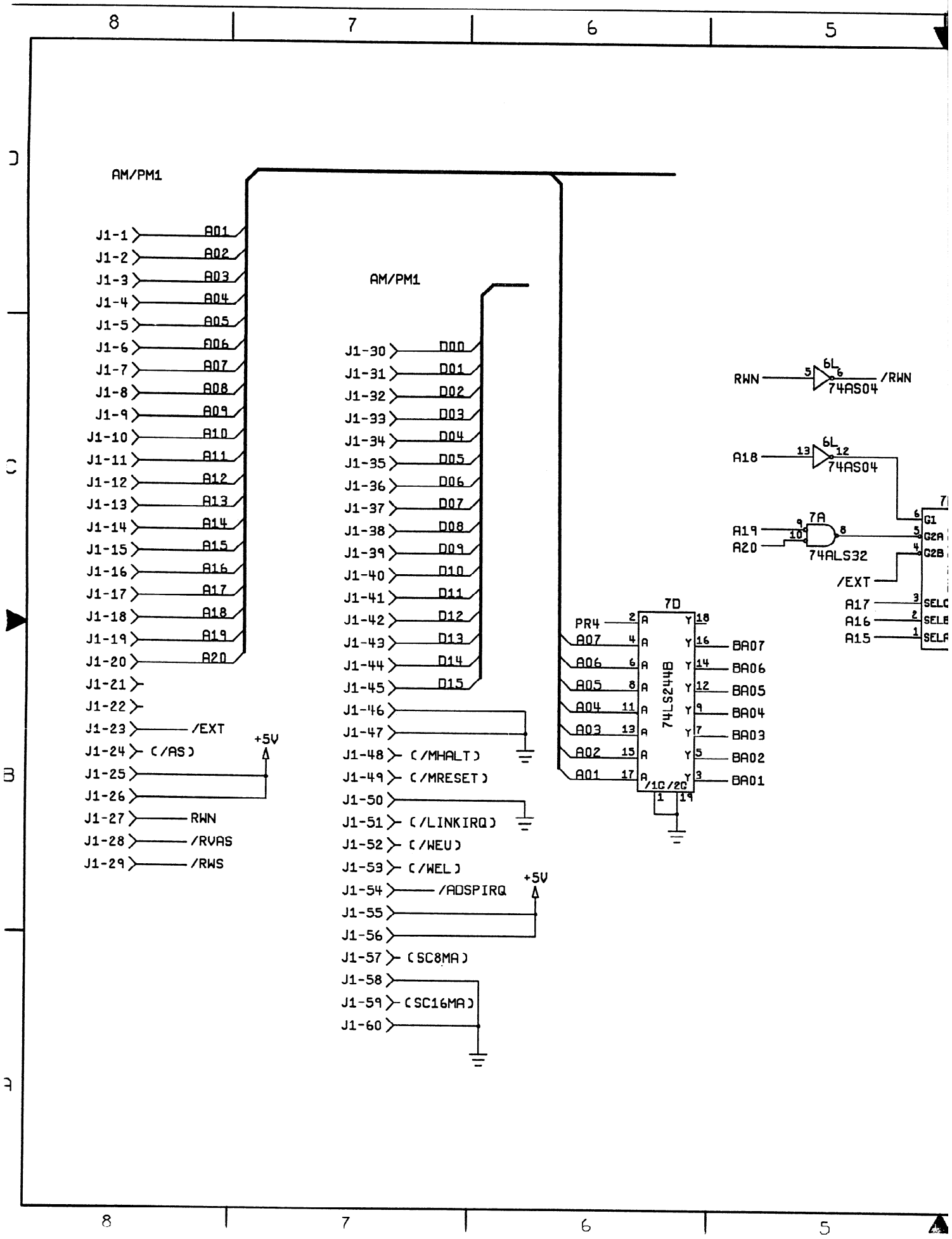
ATARI		ATARI GAMES CORP. 675 SYCAMORE DRIVE MILPITAS, CA. 95035	
TITLE SCHEMATIC DRIVER ADSP			
SIZE D	DRAWING NO. A044421	REV A	
SCALE NONE	SHEET 1	OF 9	

4

3

2

1

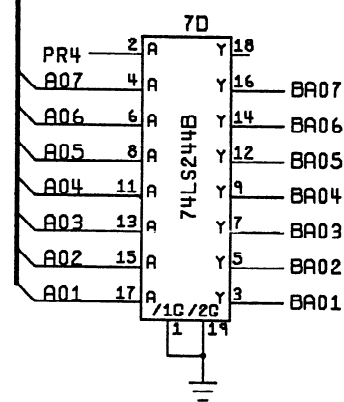
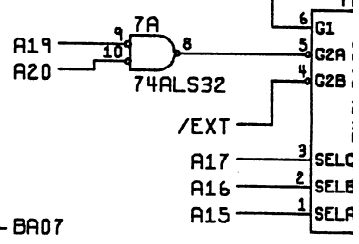
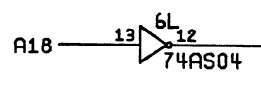
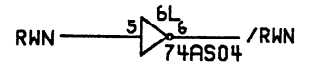


AM/PM1

- J1-1 > A01
- J1-2 > A02
- J1-3 > A03
- J1-4 > A04
- J1-5 > A05
- J1-6 > A06
- J1-7 > A07
- J1-8 > A08
- J1-9 > A09
- J1-10 > A10
- J1-11 > A11
- J1-12 > A12
- J1-13 > A13
- J1-14 > A14
- J1-15 > A15
- J1-16 > A16
- J1-17 > A17
- J1-18 > A18
- J1-19 > A19
- J1-20 > A20
- J1-21 >
- J1-22 >
- J1-23 > /EXT
- J1-24 > (/AS)
- J1-25 >
- J1-26 >
- J1-27 > RWN
- J1-28 > /RVAS
- J1-29 > /RWS

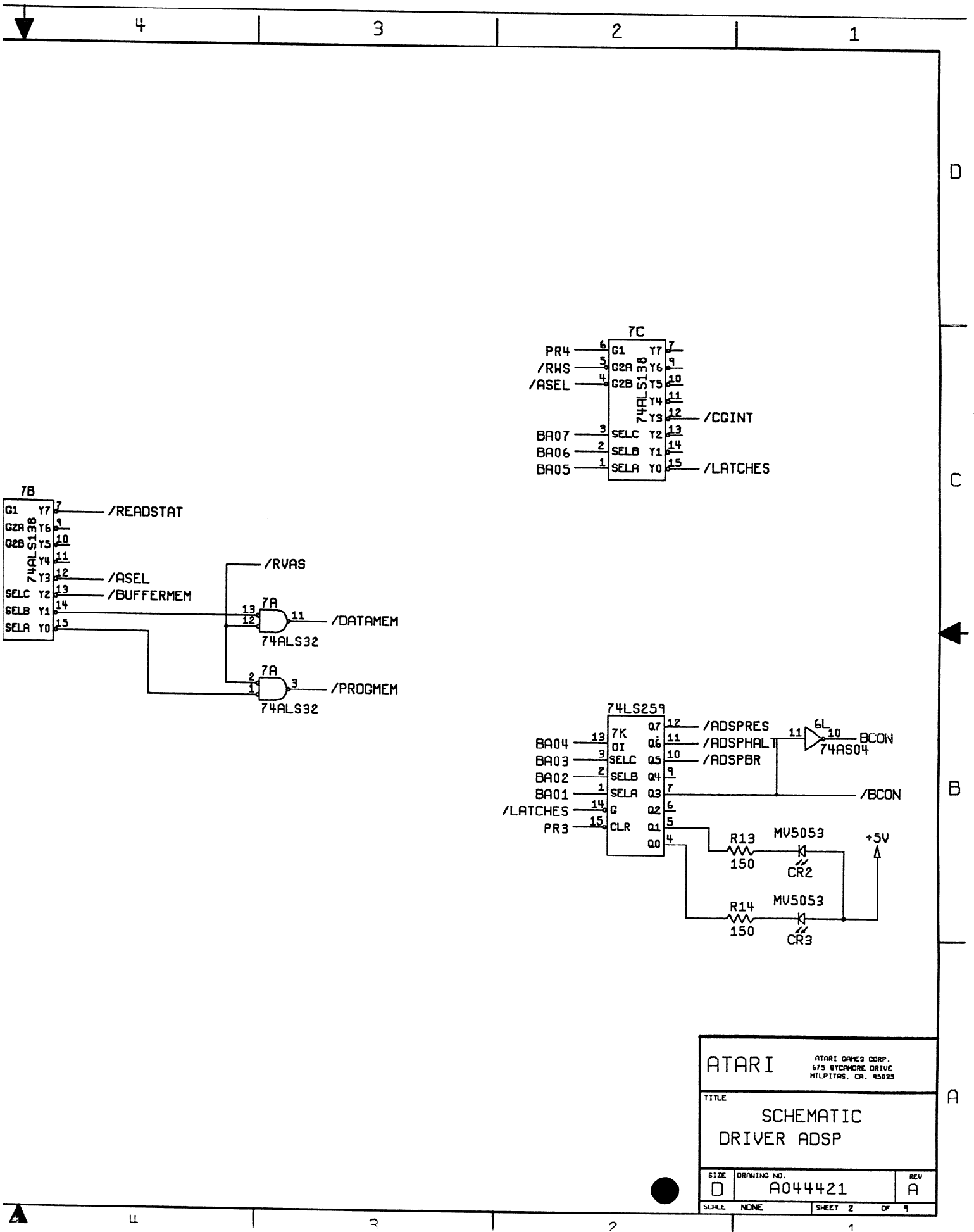
AM/PM1

- J1-30 > D00
- J1-31 > D01
- J1-32 > D02
- J1-33 > D03
- J1-34 > D04
- J1-35 > D05
- J1-36 > D06
- J1-37 > D07
- J1-38 > D08
- J1-39 > D09
- J1-40 > D10
- J1-41 > D11
- J1-42 > D12
- J1-43 > D13
- J1-44 > D14
- J1-45 > D15
- J1-46 >
- J1-47 >
- J1-48 > (/MHALT)
- J1-49 > (/MRESET)
- J1-50 >
- J1-51 > (/LINKIRQ)
- J1-52 > (/WEU)
- J1-53 > (/WEL)
- J1-54 > /ADSPIRQ
- J1-55 >
- J1-56 >
- J1-57 > (SC8MA)
- J1-58 >
- J1-59 > (SC16MA)
- J1-60 >

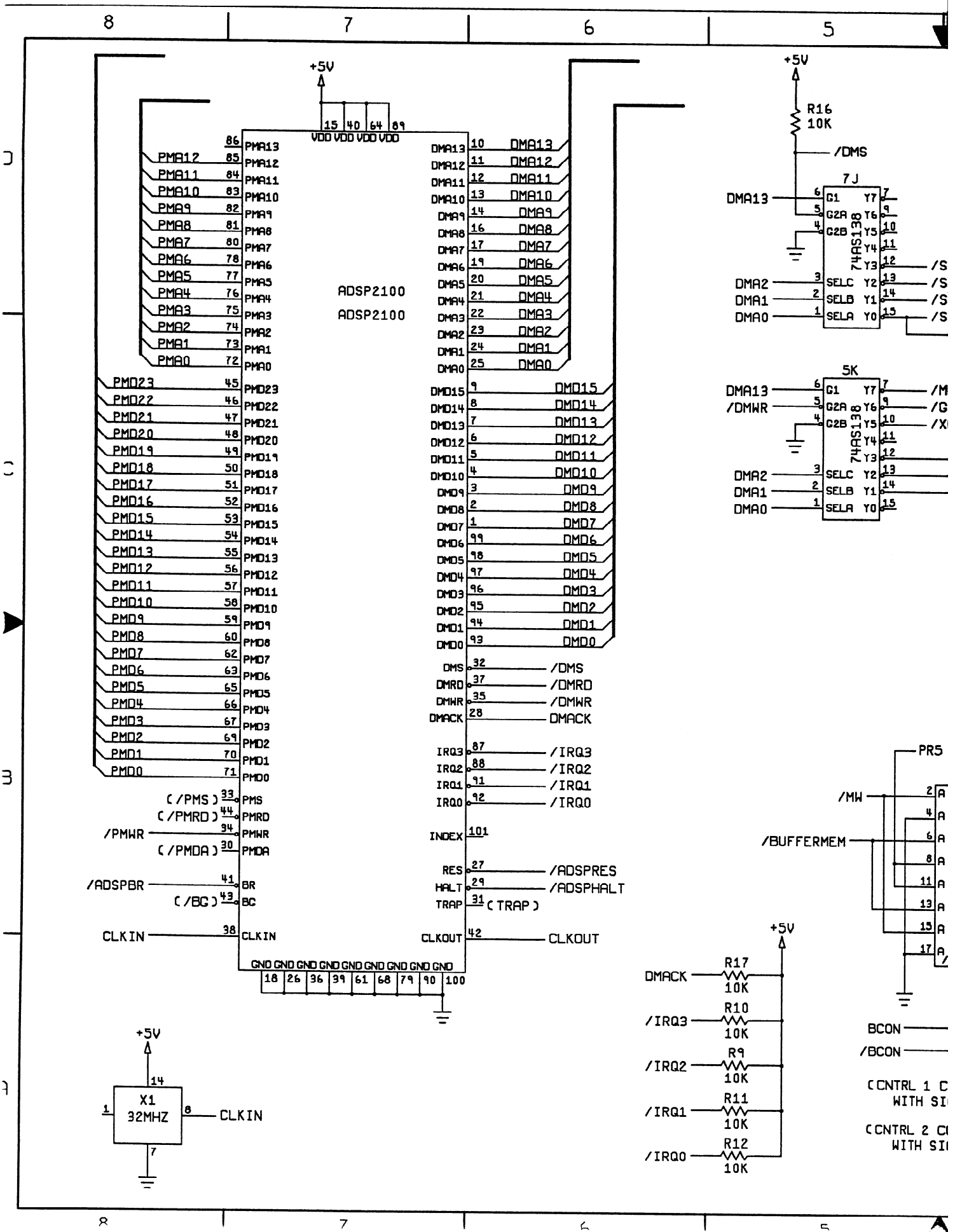


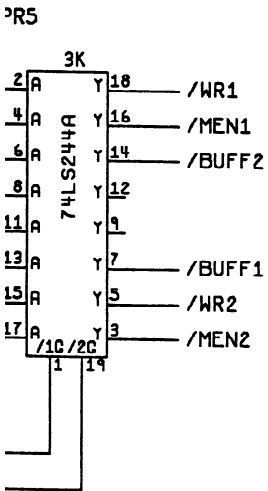
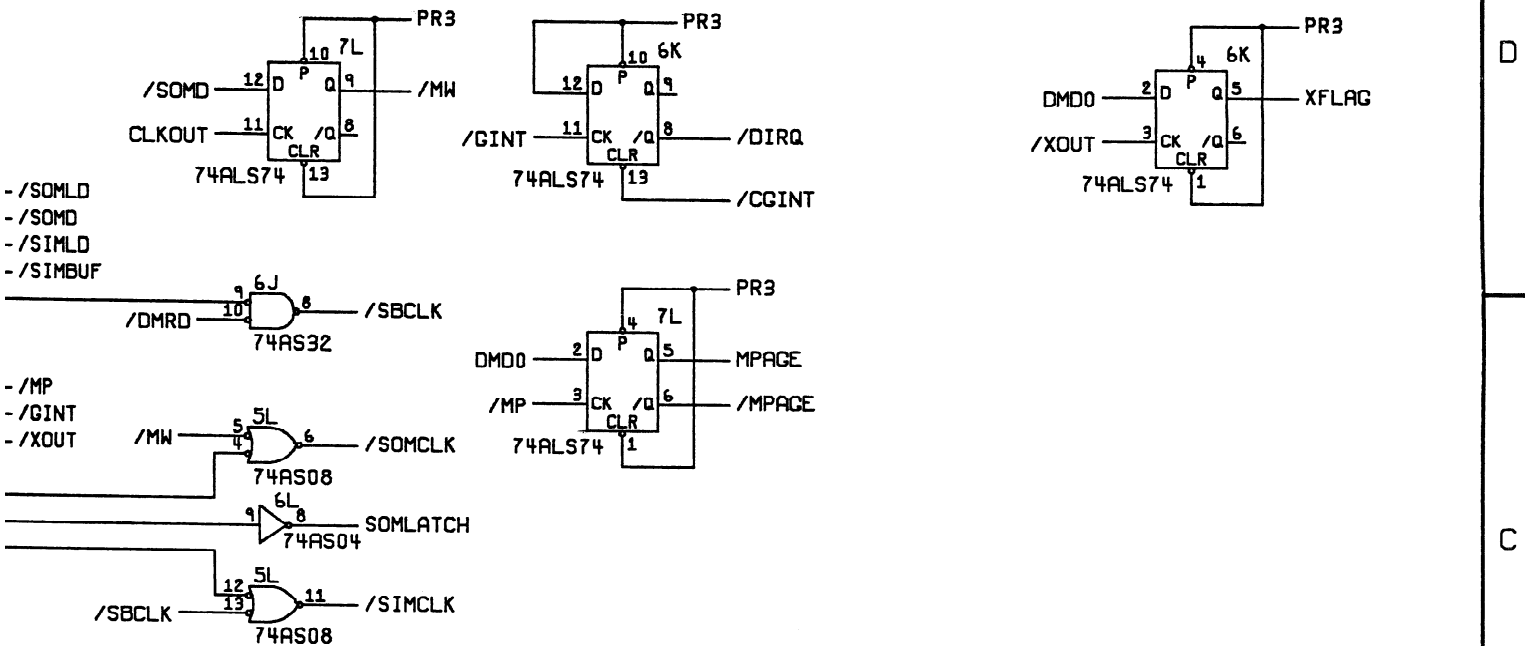
+5V

+5V



ATARI		ATARI GAMES CORP. 675 STOWMORE DRIVE MILPITAS, CA. 95035
TITLE SCHEMATIC DRIVER ADSP		
SIZE	DRAWING NO.	REV
D	A044421	A
SCALE	NONE	SHEET 2 OF 9



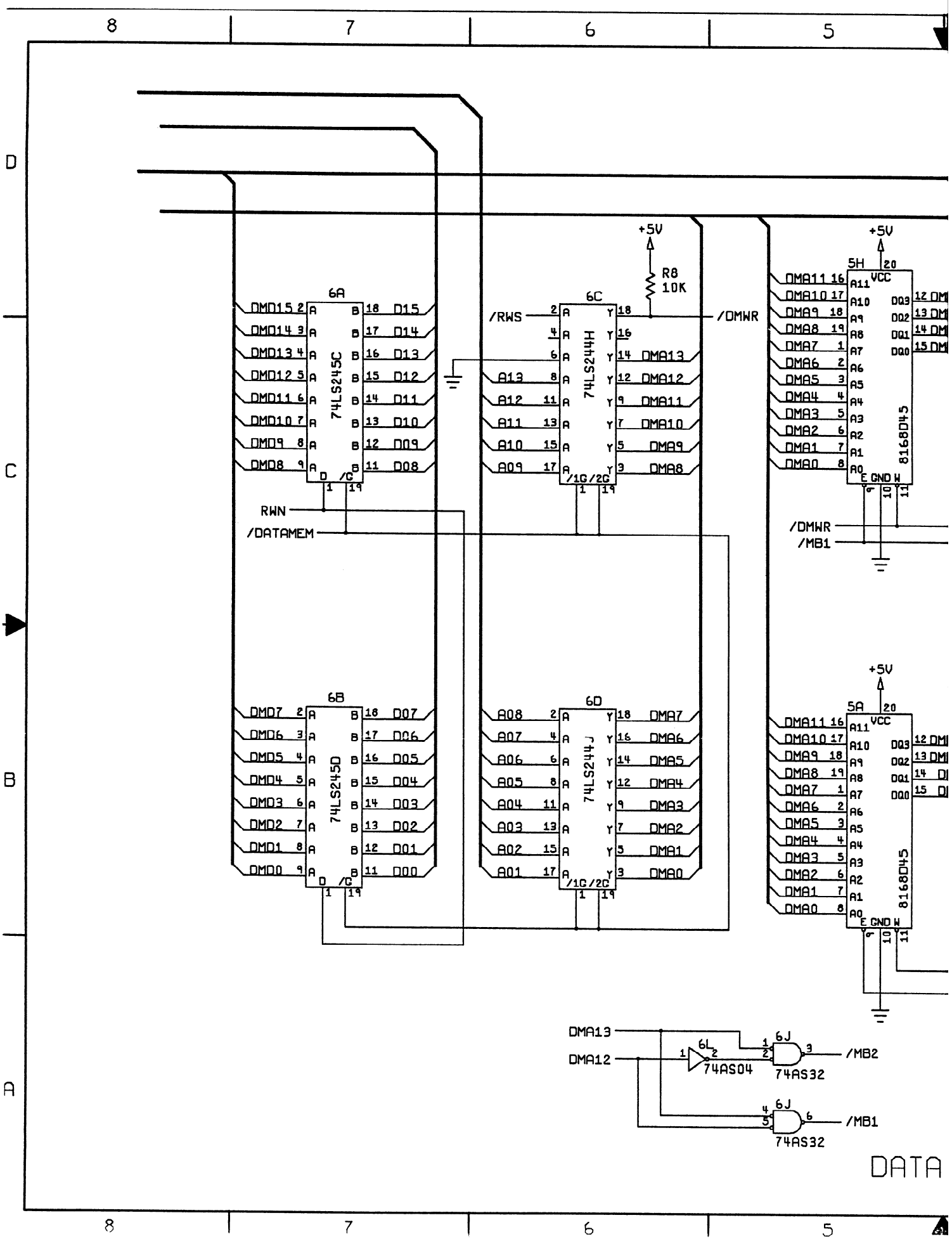


(CONTROL 1 CONNECTED ONLY WITH SIGNAL /ADSPIRQ
 (CONTROL 2 CONNECTED ONLY WITH SIGNALS D00 THRU D03)

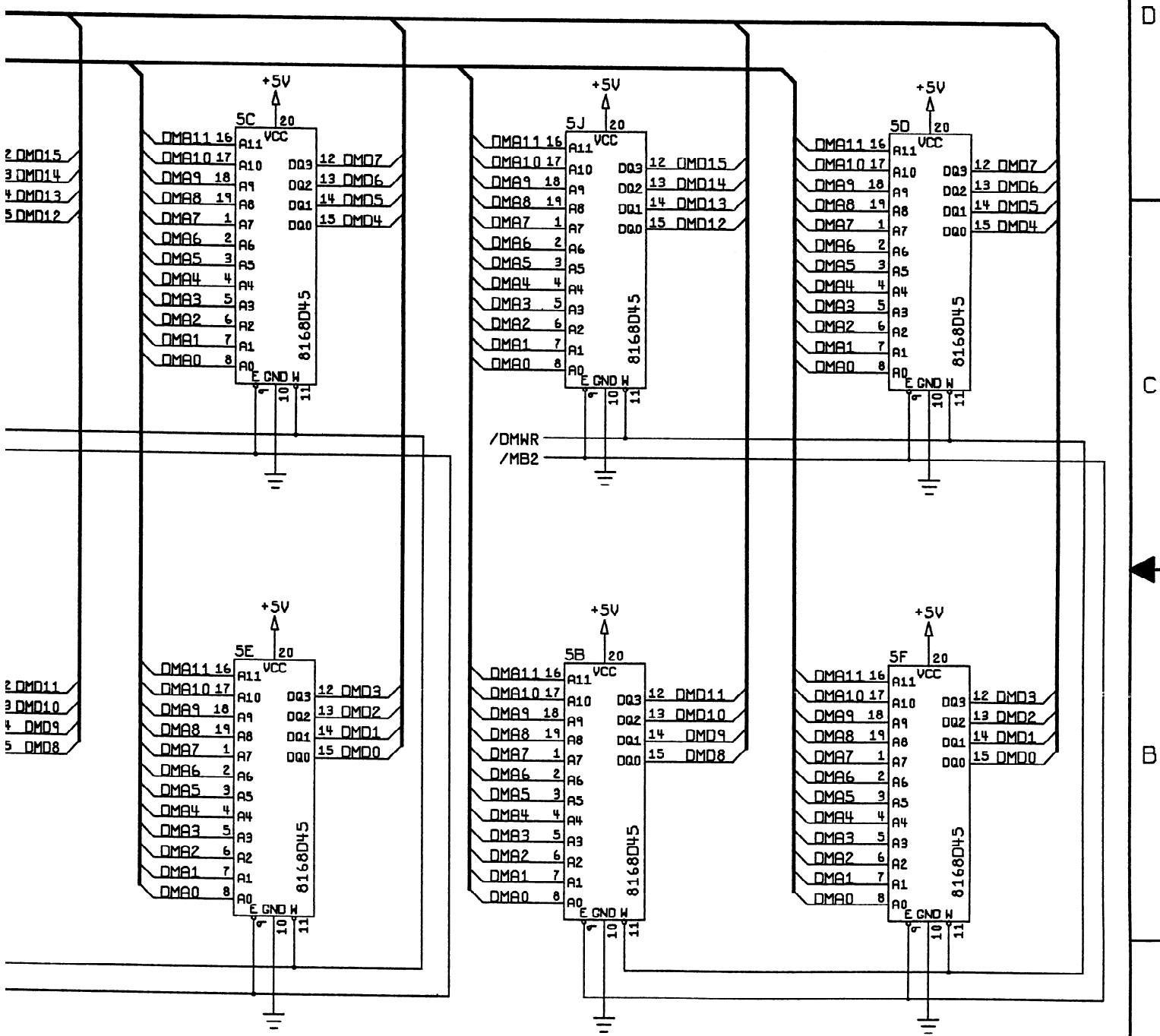
1 CONNECTED ONLY
 (SIGS /WR1 /MEN1 AND /BUFF2)

2 CONNECTED ONLY
 (SIGS /WR2 /MEN2 AND /BUFF1)

ATARI		ATARI GAMES CORP. 673 SYCAMORE DRIVE MILPITAS, CA. 95035	
TITLE			
SCHEMATIC DRIVER ADSP			
SIZE	DRAWING NO.	REV	
D	A044421	A	
SCALE	NONE	SHEET	3 OF 9

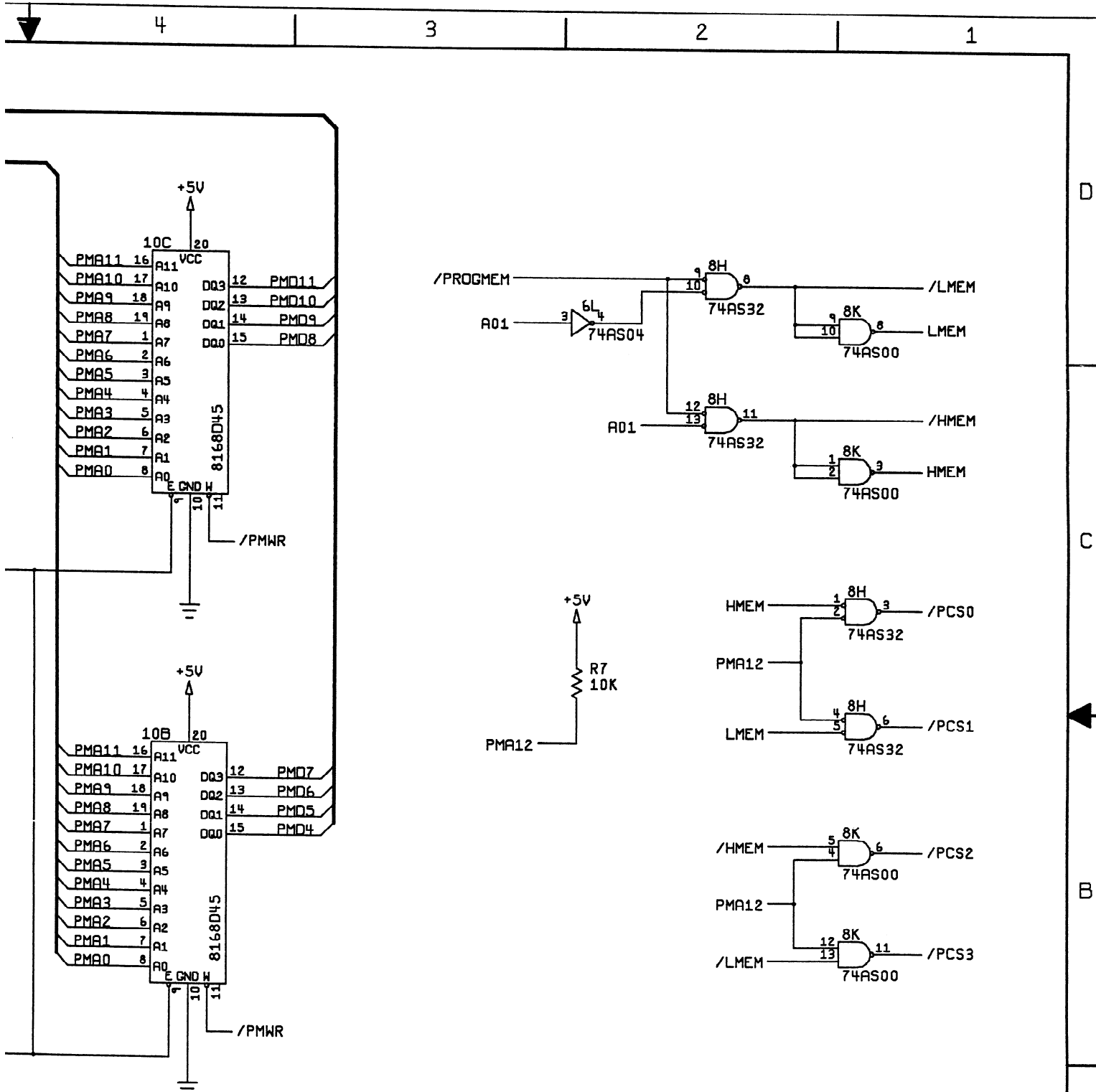


DATA



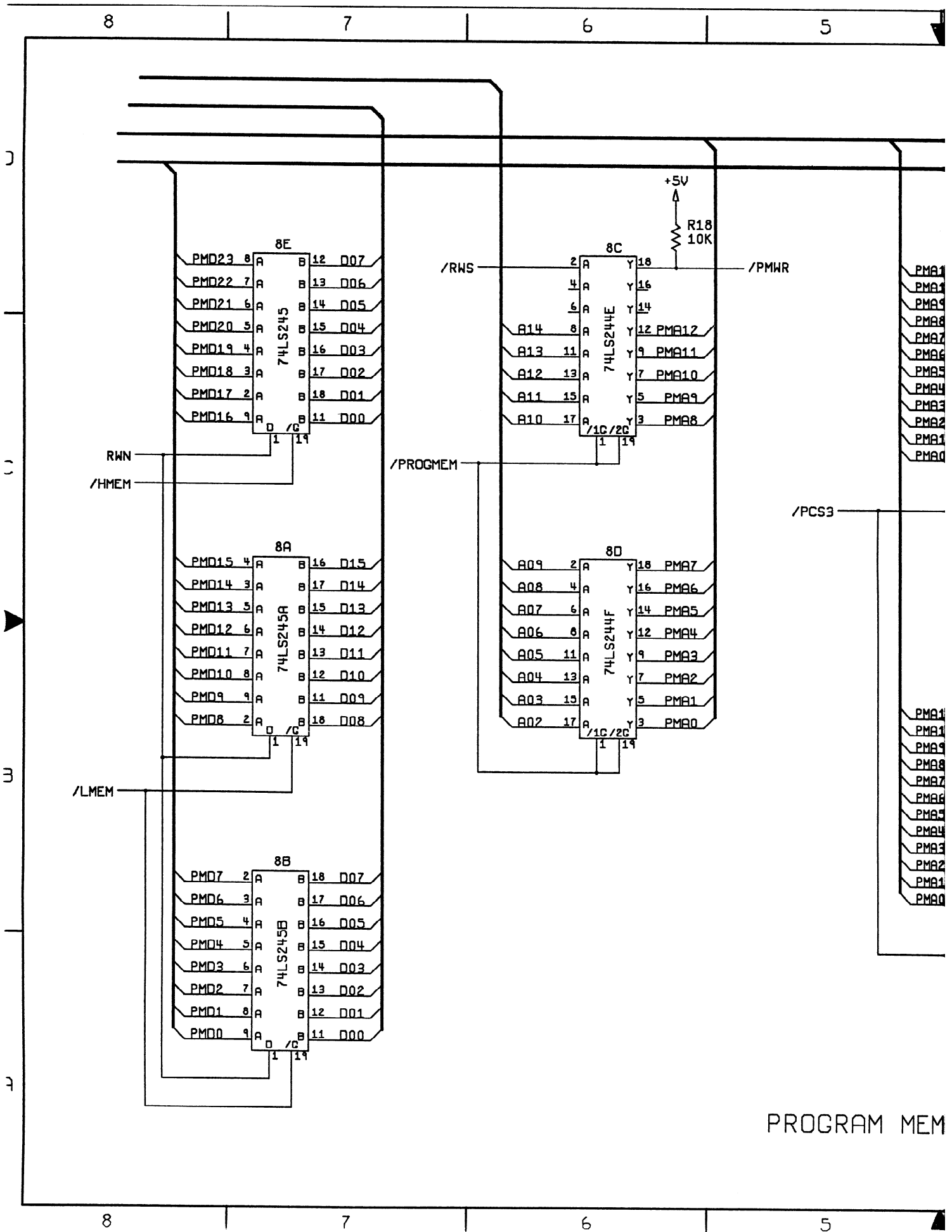
A MEMORY

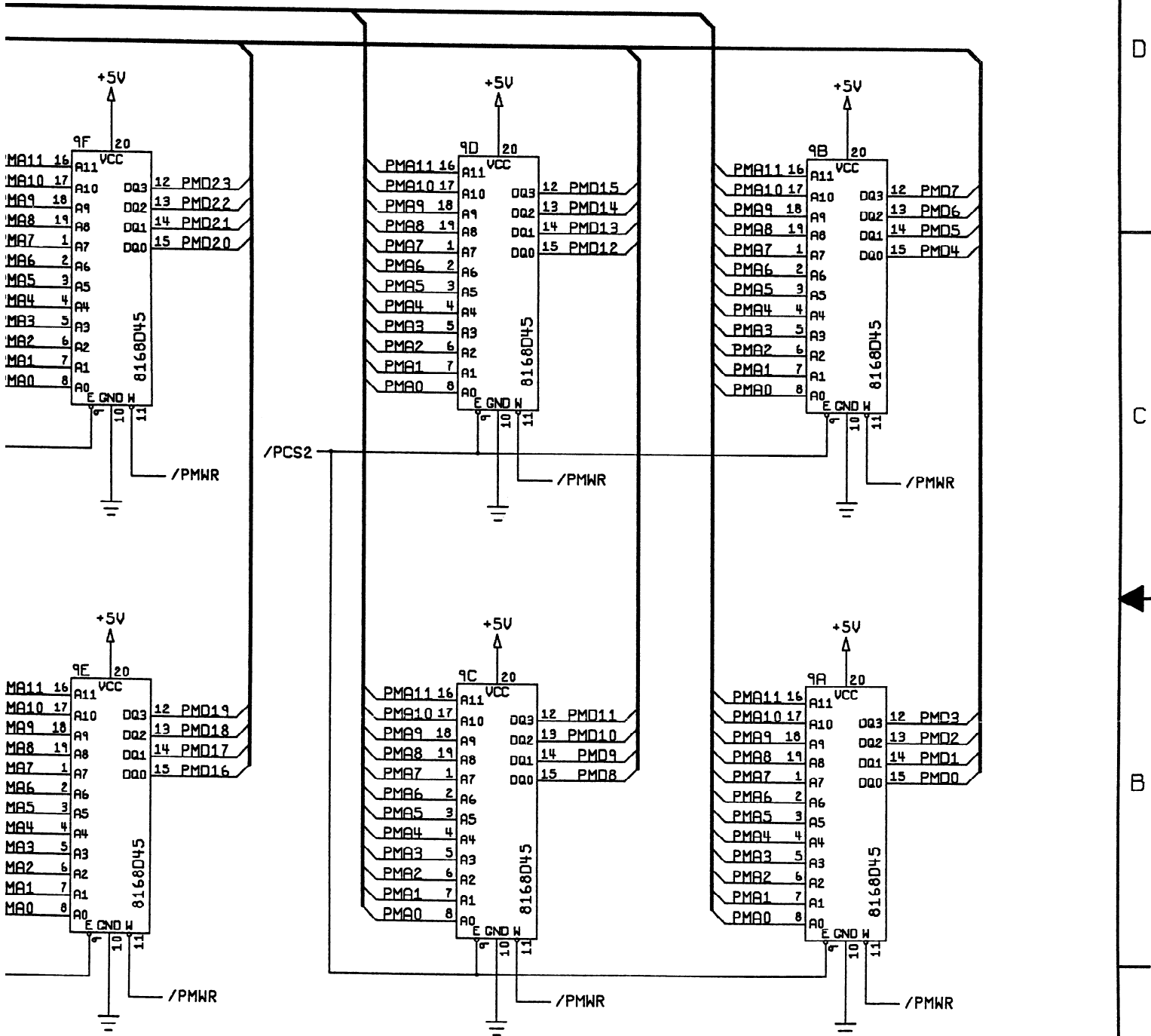
ATARI		ATARI GAMES CORP. 675 SYCAMORE DRIVE MILPITAS, CA. 95035	
TITLE			
SCHEMATIC DRIVER ADSP			
SIZE	DRAWING NO.	REV	
D	A044421	A	
SCALE	NONE	SHEET	4 OF 9



JGRAM MEMORY

ATARI		ATARI GAMES CORP. 675 STANFORD DRIVE MILPITAS, CA. 95035	
TITLE			
SCHEMATIC DRIVER ADSP			
SIZE	DRAWING NO.	REV	
D	A044421	A	
SCALE	NONE	SHEET	5 OF 9

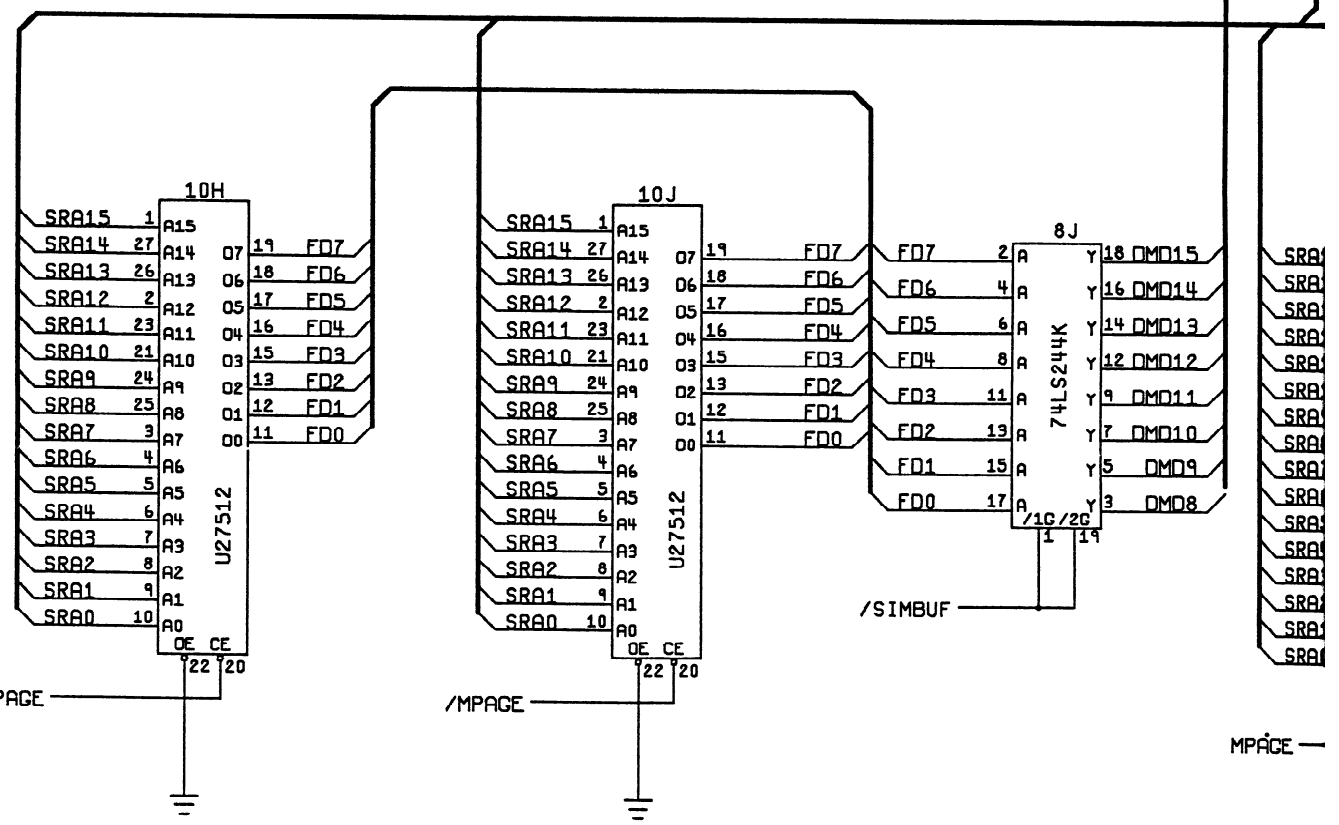
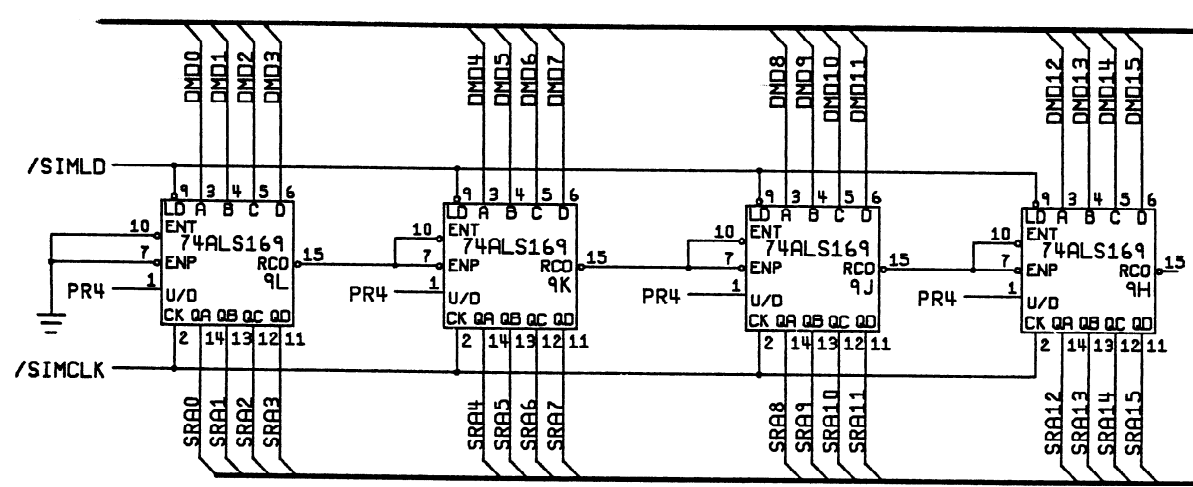




MEMORY /BUFFERS

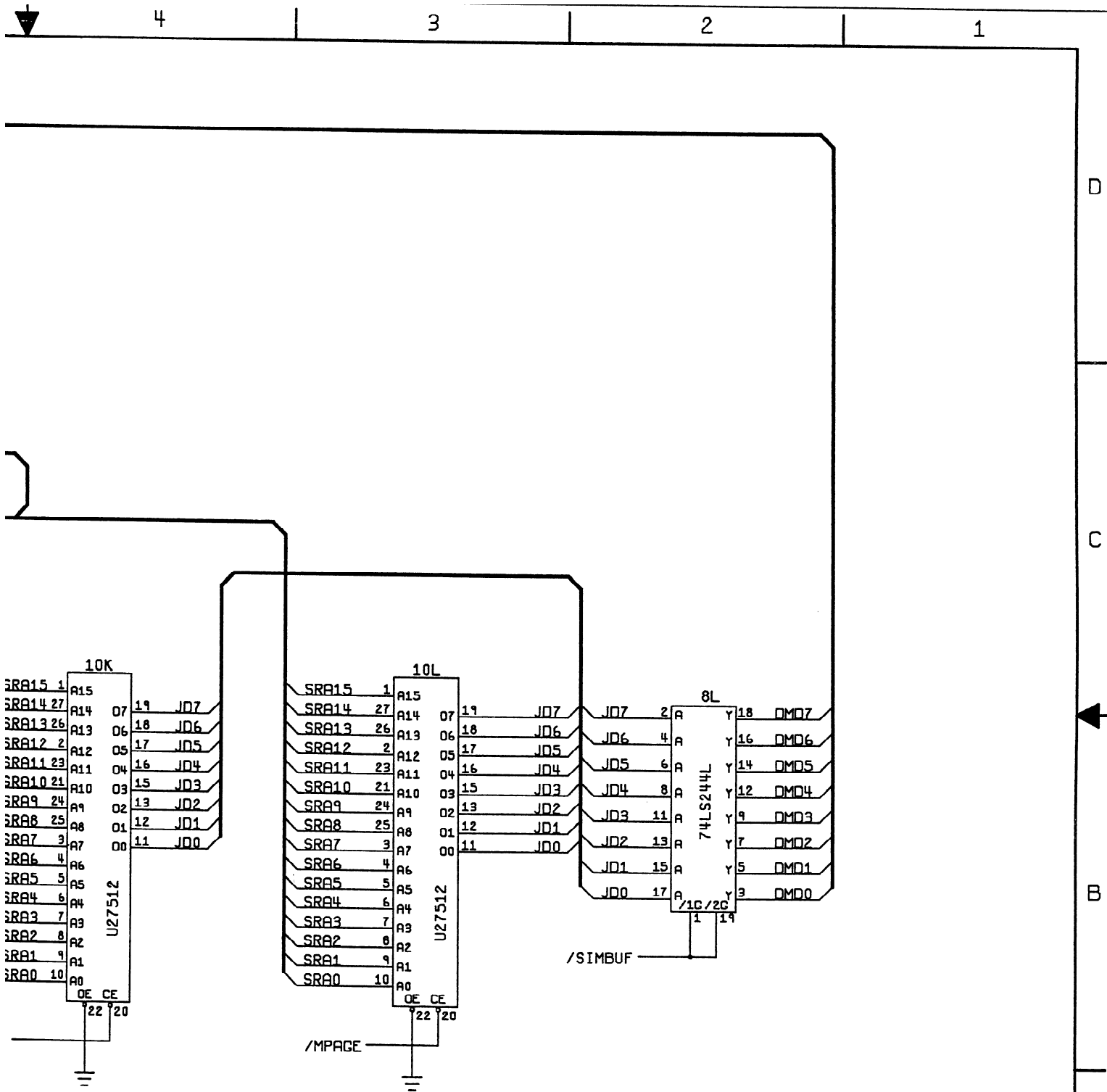
ATARI		ATARI GAMES CORP. 675 SYCAMORE DRIVE MILPITAS, CA. 95035
TITLE		
SCHEMATIC DRIVER ADSP		
SIZE	DRAWING NO.	REV
D	A044421	A
SCALE	NONE	SHEET 6 OF 9

8 7 6 5



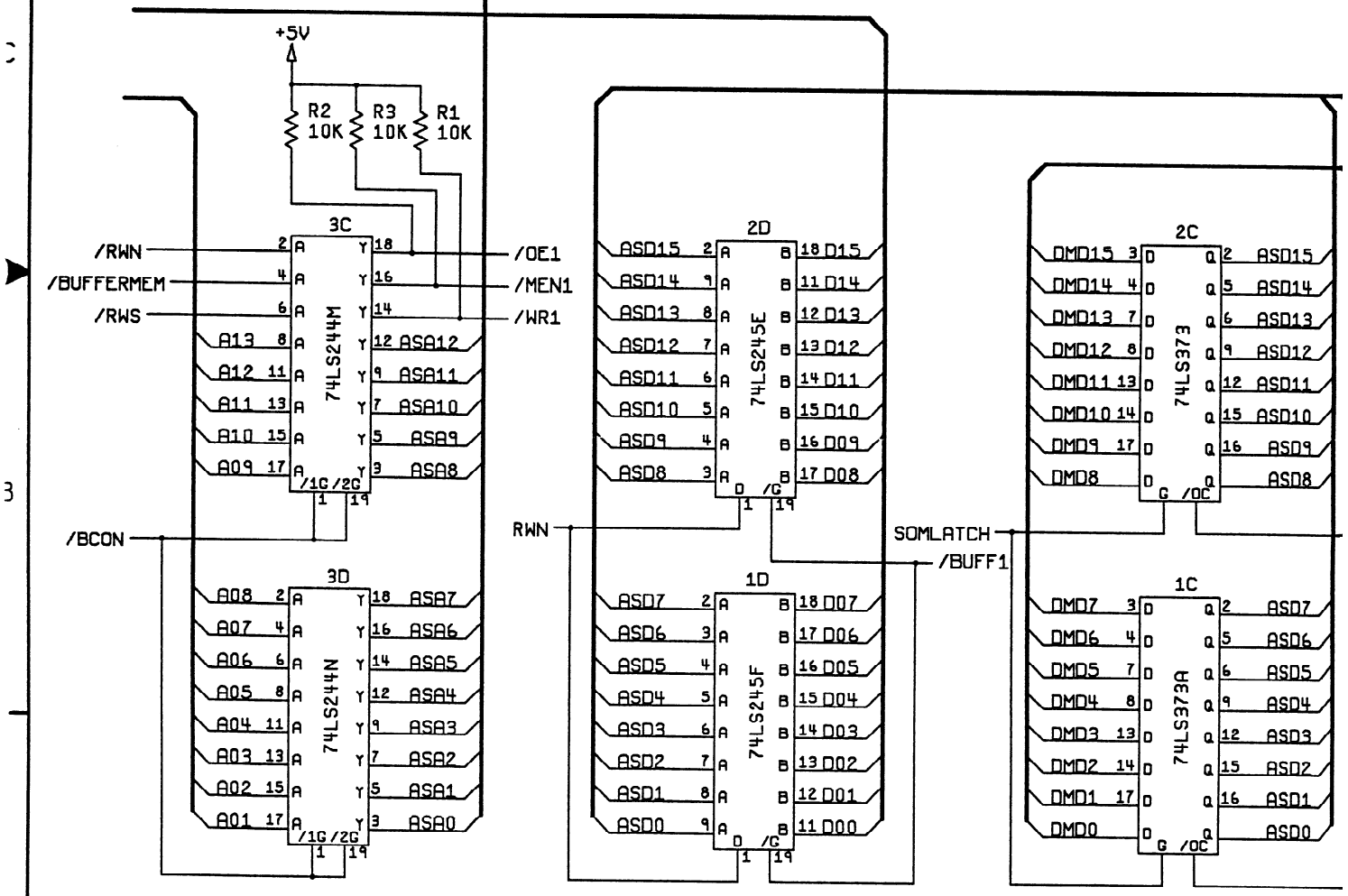
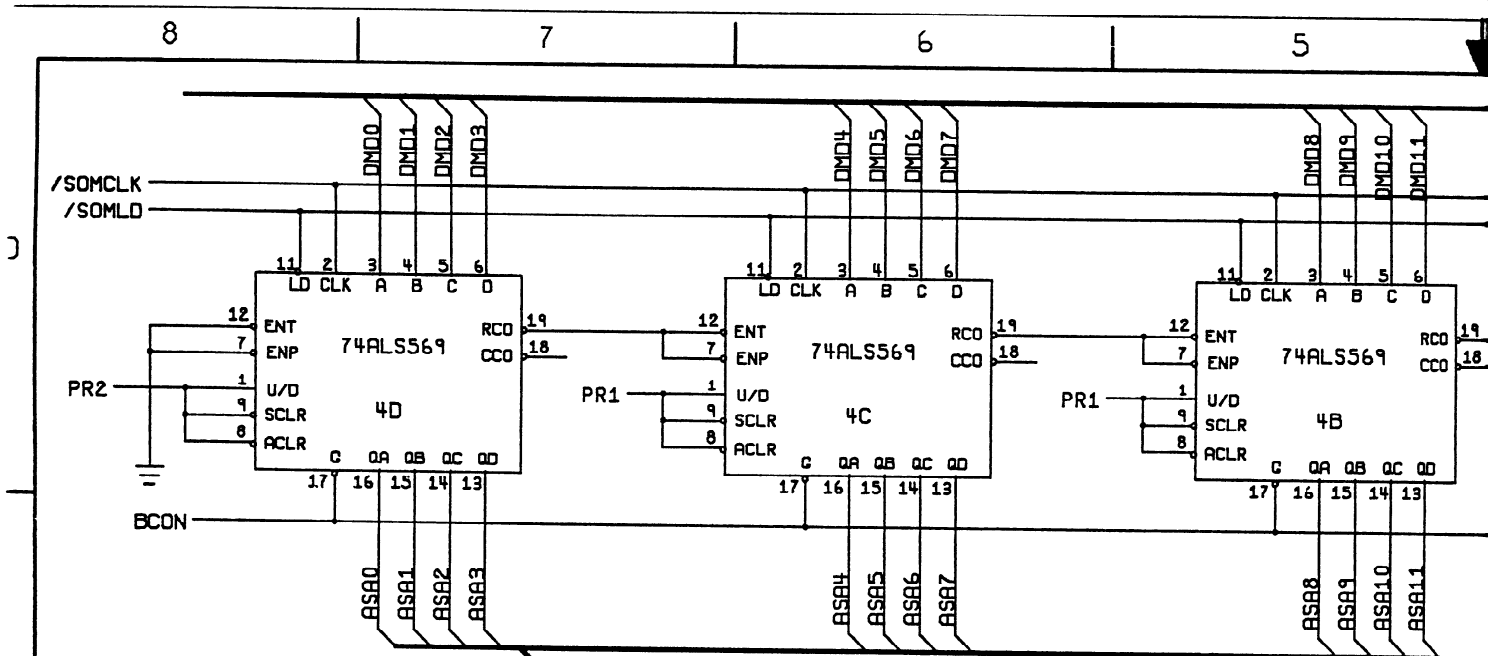
SEQUENTIAL

8 7 6 5

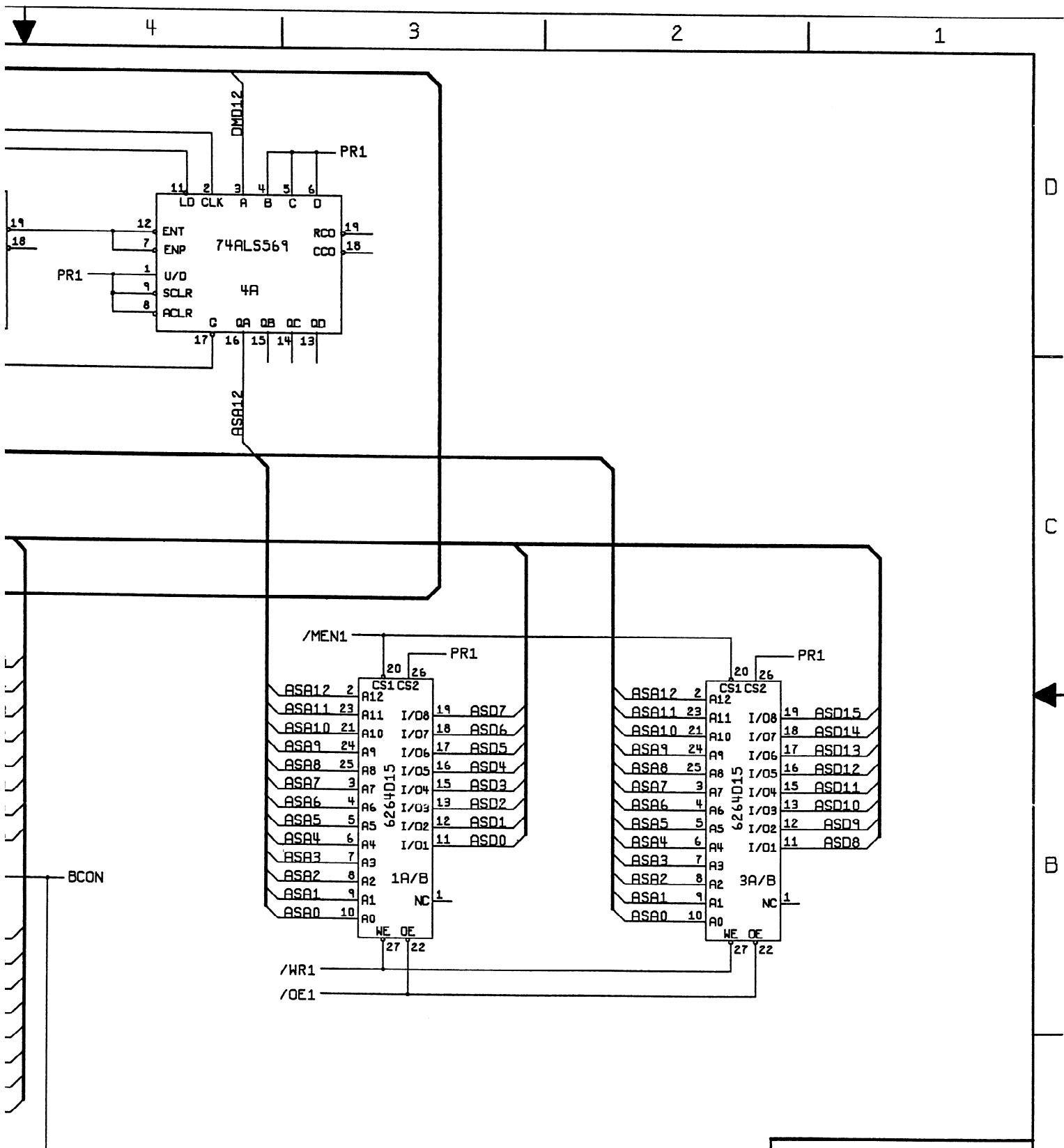


INPUT MEMORY

ATARI		
ATARI GAMES CORP. 675 STANMORE DRIVE MILPITAS, CA. 95035		
TITLE		
SCHEMATIC DRIVER ADSP		
SIZE	DRAWING NO.	REV
D	A044421	A
SCALE	NONE	SHEET 7 OF 9

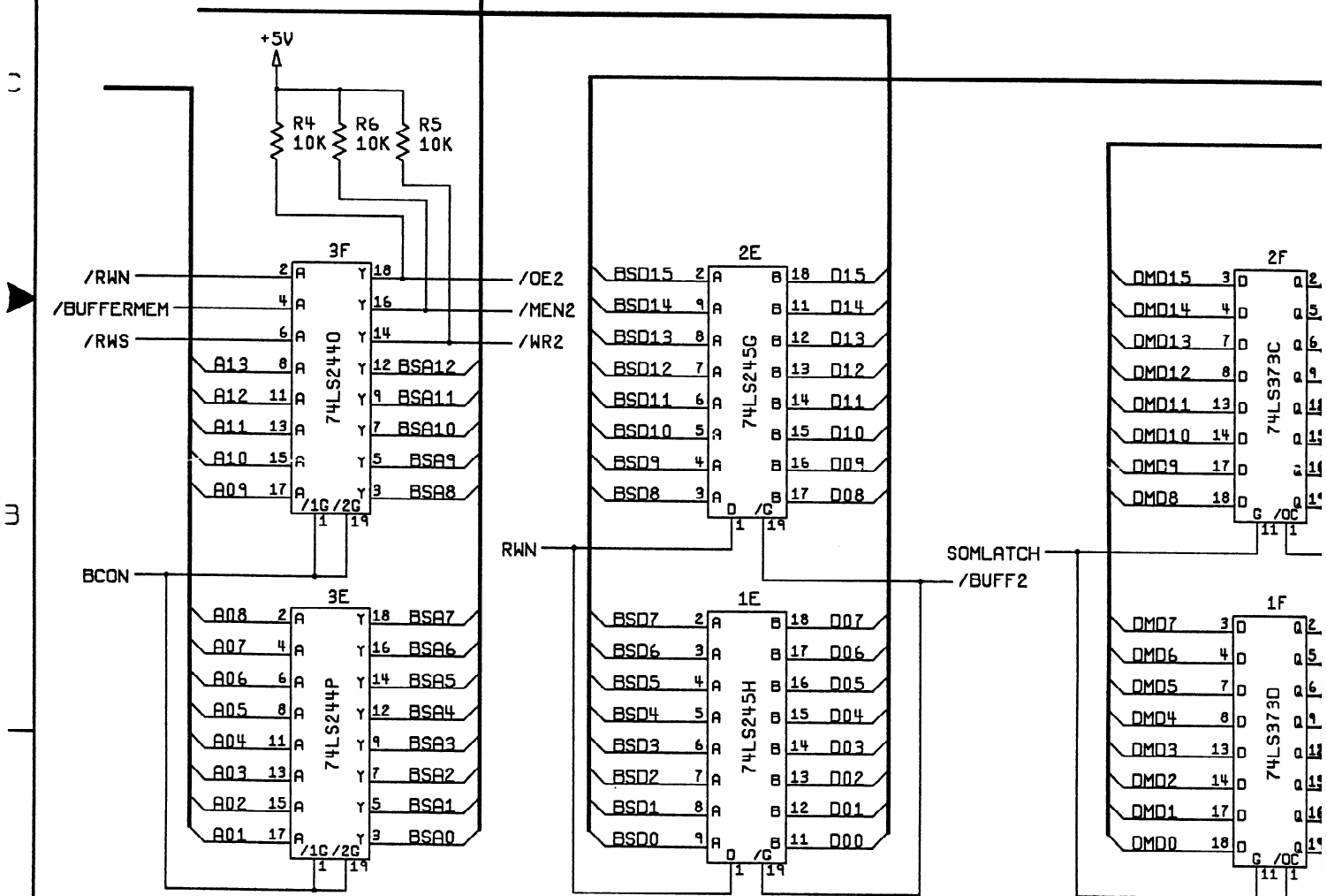
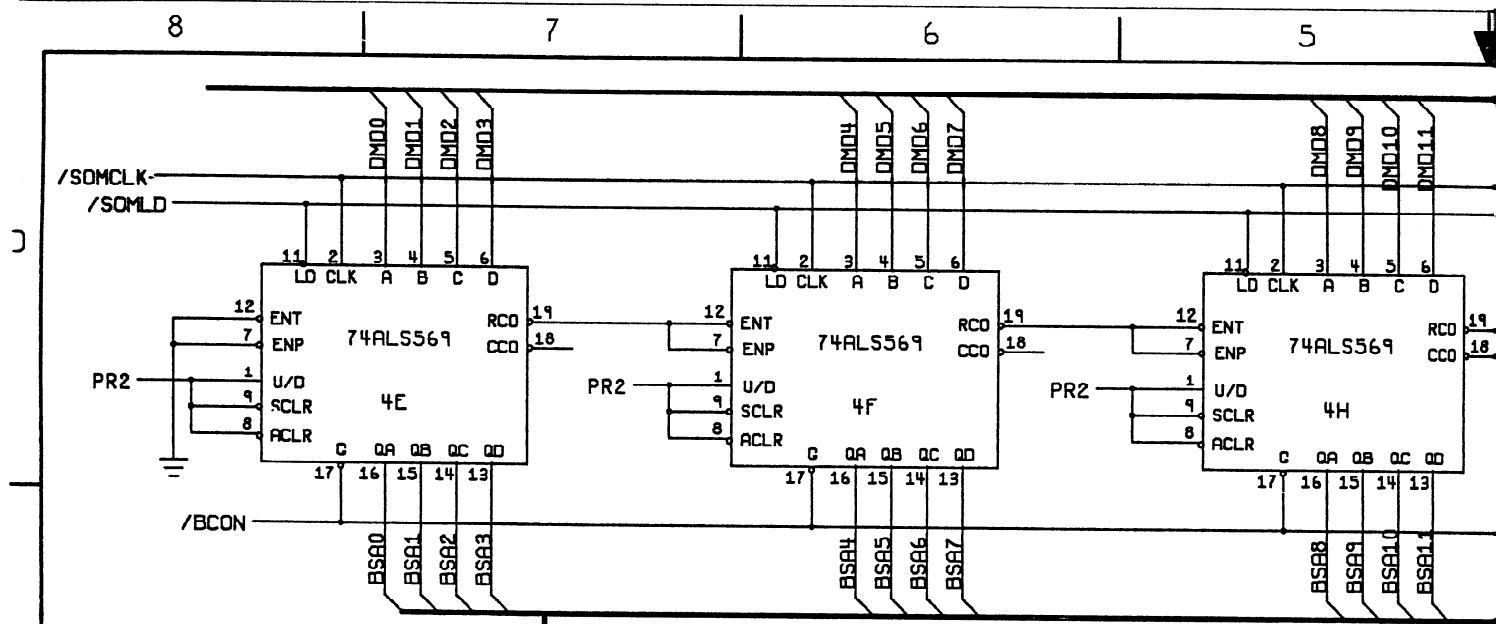


SEQUENTIAL OU

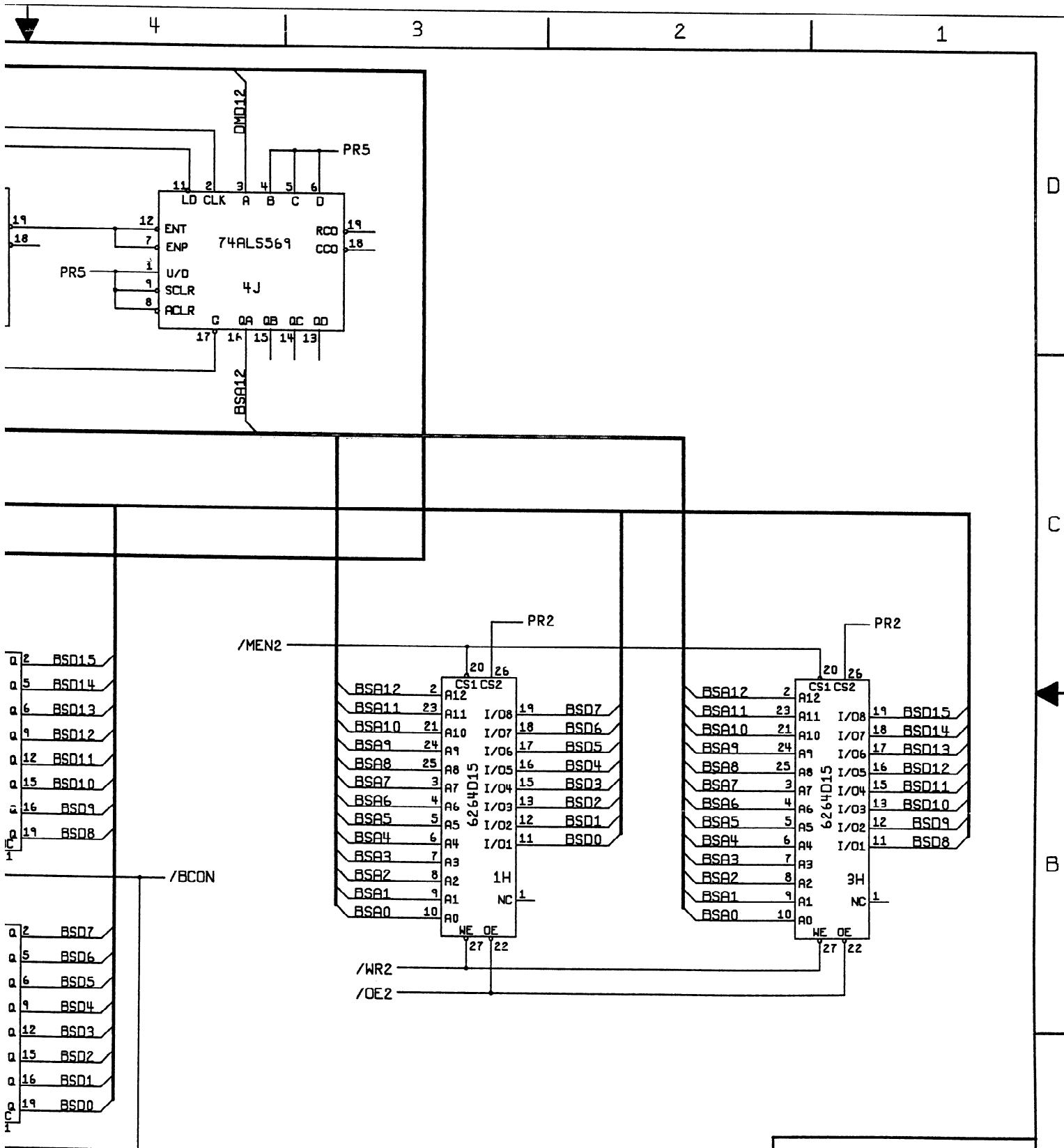


OUTPUT MEMORY #1

ATARI		ATARI GAMES CORP. 675 SYCAMORE DRIVE MILPITAS, CA. 95035	
TITLE			
SCHEMATIC DRIVER ADSP			
SIZE	DRAWING NO.	REV	
D	A044421	A	
SCALE	NONE	SHEET	8 OF 9



SEQUENTIAL OUTPUT



PUT MEMORY #2

ATARI		ATARI GAMES CORP. 675 SYCAMORE DRIVE MILPITAS, CA. 95035	
TITLE			
SCHEMATIC DRIVER ADSP			
SIZE	DRAWING NO.	REV	
D	A044421	A	
SCALE	NONE	SHEET 9	OF 9

REVISIONS					
SYM	DESCRIPTION	DATE	INCRP	CHECK	APPROVED
A	PRODUCTION REL	6-20-89	LSF		

37	42	45	48	51	54	57	60	63
DM07	DM010	DM013	DM019	DM010	DM08	DM06	DM03	DM08
41	44	47	50	53	56	59	62	
DM09	DM012	DM015	DM011	V00	GND	DM04	DM01	
40	43	46	49	52	55	58	61	
DM05	DM011	DM014	DM012	DM09	DM07	DM03	DM02	

38	37	36
GND	DM06	DM05
35	34	33
DM04	DM03	DM02
32	31	30
DM01	DM00	/IRQ0
29	28	27
/IRQ1	GND	V00
26	25	24
/IRQ2	/IRQ3	PM013
23	22	21
PM012	PM011	PM010
20	19	18
PM09	PM08	PM07
17	16	15
GND	PM06	PM05
14		
PM04		

65	64
/RES	GND
66	67
DM06	/HALT
68	69
PM09	TRAP
71	70
/PMS	/DMS
72	73
/PM08	/DM08
74	75
GND	/DM00
77	76
GND	CLKIN
78	79
V00	/BR
80	81
CKOUT	/BC
83	82
PM023	/PM00
84	85
PM022	PM021
86	87
PM020	PM019
	88
	PM018

ADSP2100
PQFP100

11	8	5	2	99	96	93	90
PM01	PM01	PM03	V00	GND	PM010	PM013	PM016
12	9	6	3	100	97	94	91
PM02	PM00	GND	PM05	PM07	PM09	PM012	PM015
13	10	7	4	1	98	95	92
PM03	PM00	PM02	PM04	PM06	PM08	PM011	PM014
							89
							PM017

BOTTOM VIEW
(PINS UP)

A047047-01	DRIVING SIMULATOR
NEXT ASSY	FIRST USED ON

NOTICE TO ALL PERSONS RECEIVING THIS DRAWING
CONFIDENTIAL: REPRODUCTION FORWARDED WITHOUT THE SPECIFIC WRITTEN PERMISSION OF ATARI GAMES CORPORATION, MILPITAS, CA. THIS DRAWING IS ONLY CONDITIONALLY LOANED. FOR NEITHER RECEIPT NOR FORNESSION THEREOF COPIES OR TRANSMITS NOT BEING MADE, OR LENDING TO ANY, THE SUBJECT MATTER OF THE DRAWING OR ANY DESIGN OR TECHNIQUE, INFORMATION THEREIN, NOR ANY RIGHT TO REPRODUCE THIS DRAWING OR ANY PART THEREOF, OR ANY INFORMATION BY WHATEVER MEANS OR BY ANY MEANS, IS HEREBY FORBIDDEN. UNDER THE CORPORATION'S WRITTEN LICENSE, AN ASSY TO BE OBTAINED TO REPRODUCE THIS DRAWING BY THE SUBJECT MATTER THEREOF, UNLESS BY WRITTEN PERMISSION FROM THE CORPORATION.

DO NOT SCALE DRAWING	DRAWN BY L. FRITTS	DATE 6-20-89
UNLESS OTHERWISE SPECIFIED DIMENSIONS ARE IN INCHES	CHECKED BY	DATE
TOLERANCES ON:	ENGR, ELECT	DATE
ANGLES ± 1°	PROJ ENGR	DATE
.XX ± .01	PIG ENGR	DATE
.XXX ± .003		
MATERIAL:		
SEE PL A047047-01 A047046-01		
FINISH:		

ATARI		ATARI GAMES CORP. 675 STONYME DRIVE MILPITAS, CA. 95035	
TITLE SCHEMATIC ADSP II			
SIZE D	DRAWING NO. 047047-01	REV A	
SCALE NONE	SHEET 1	OF 1	