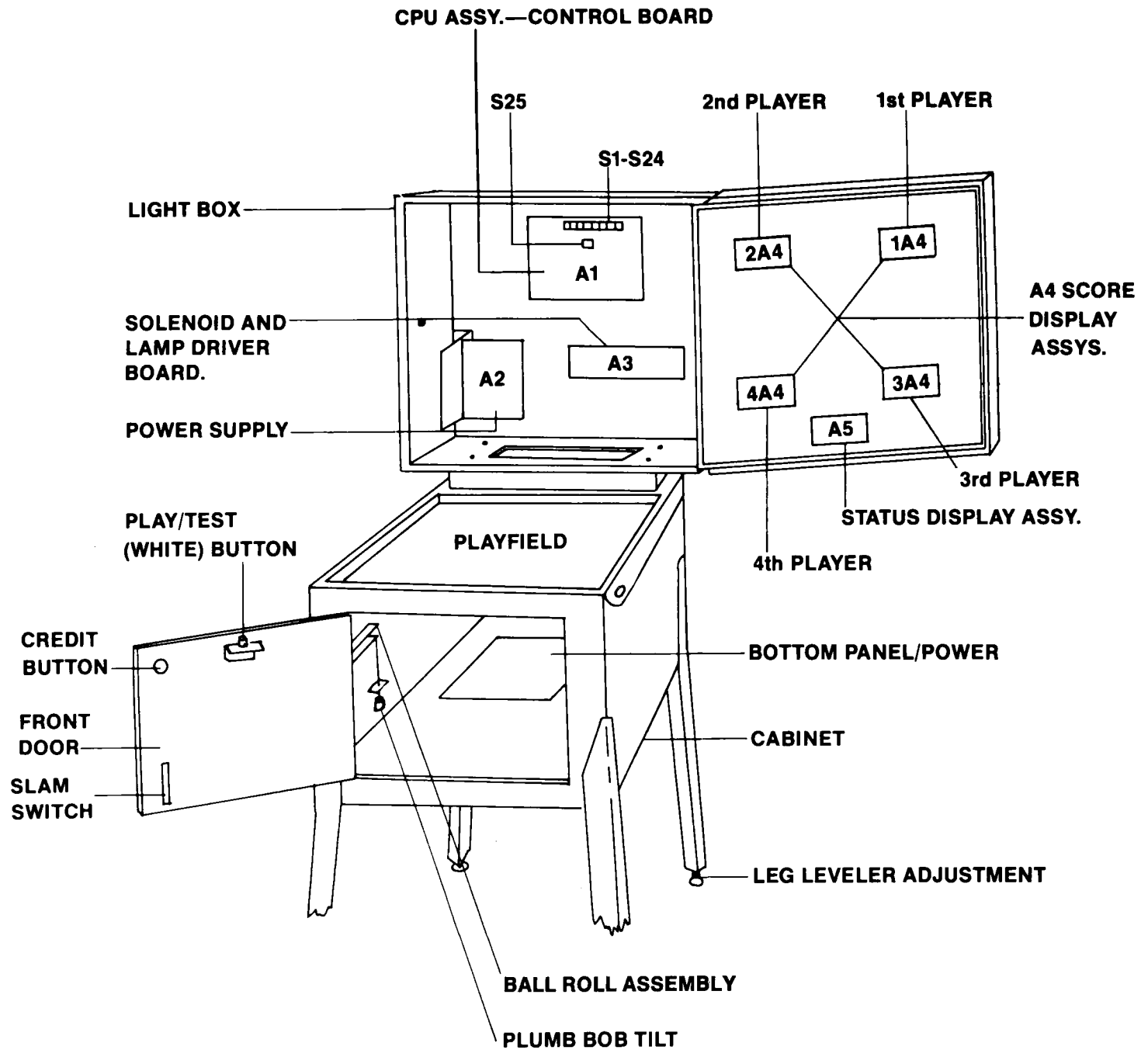
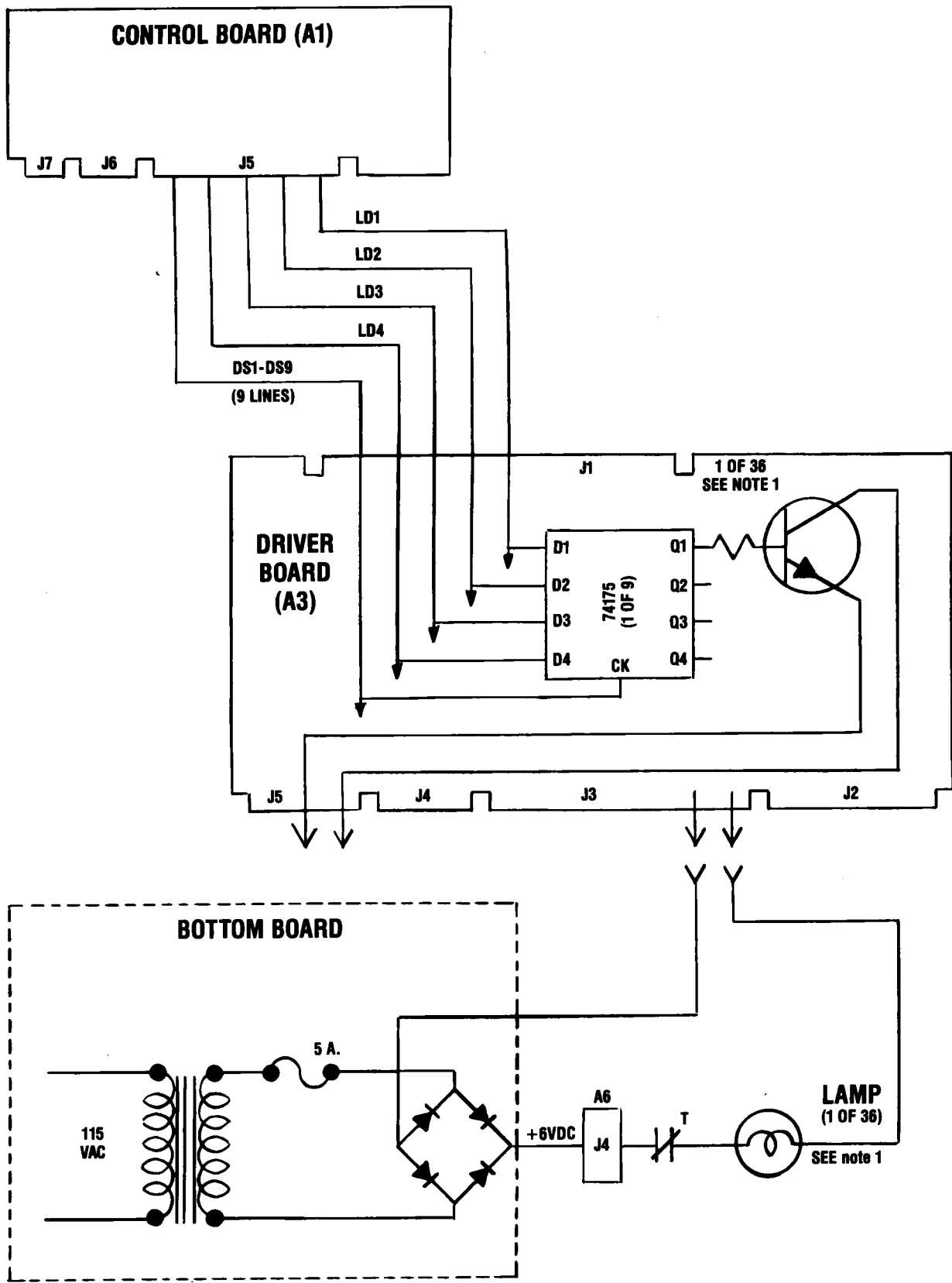
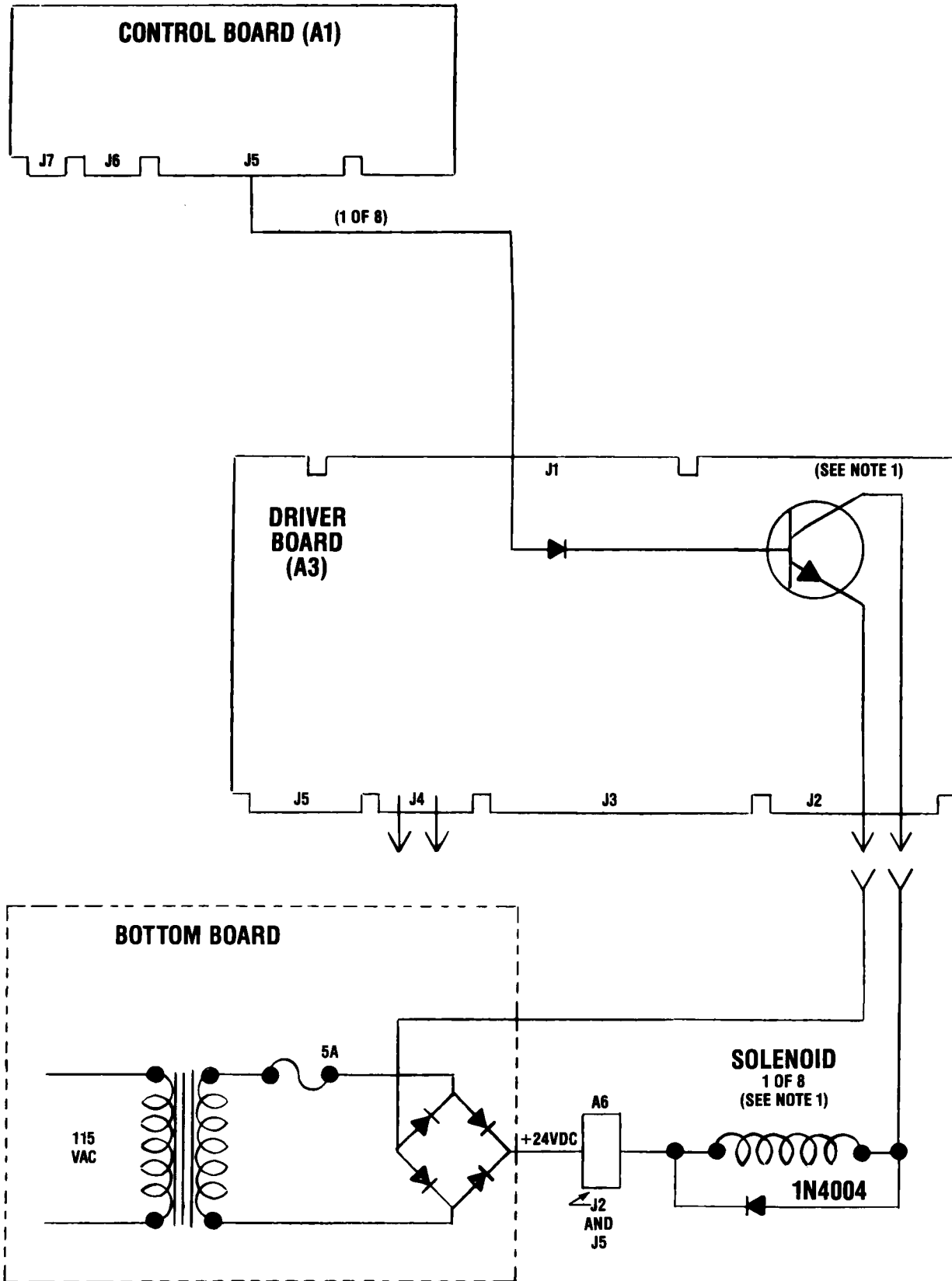
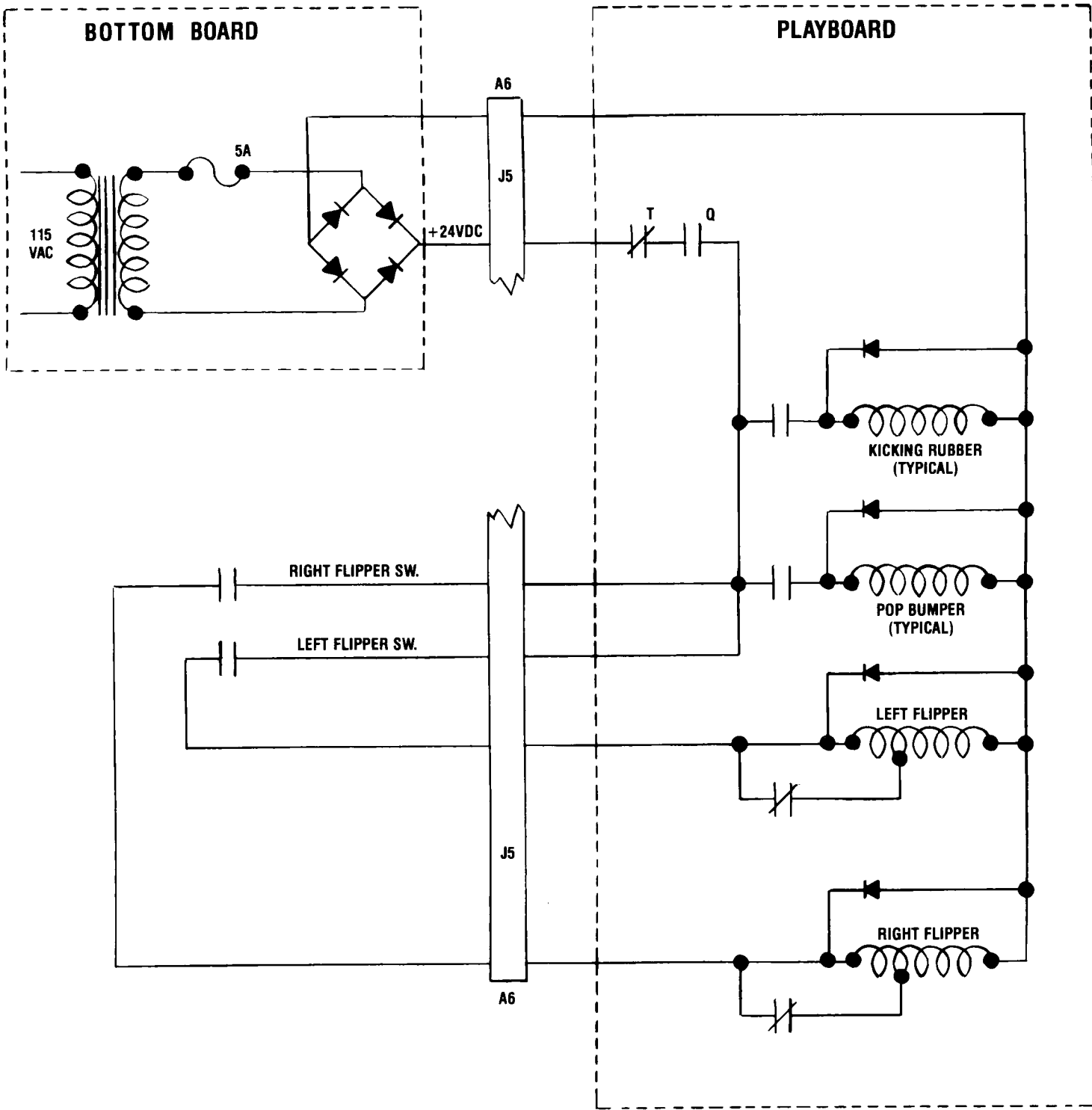


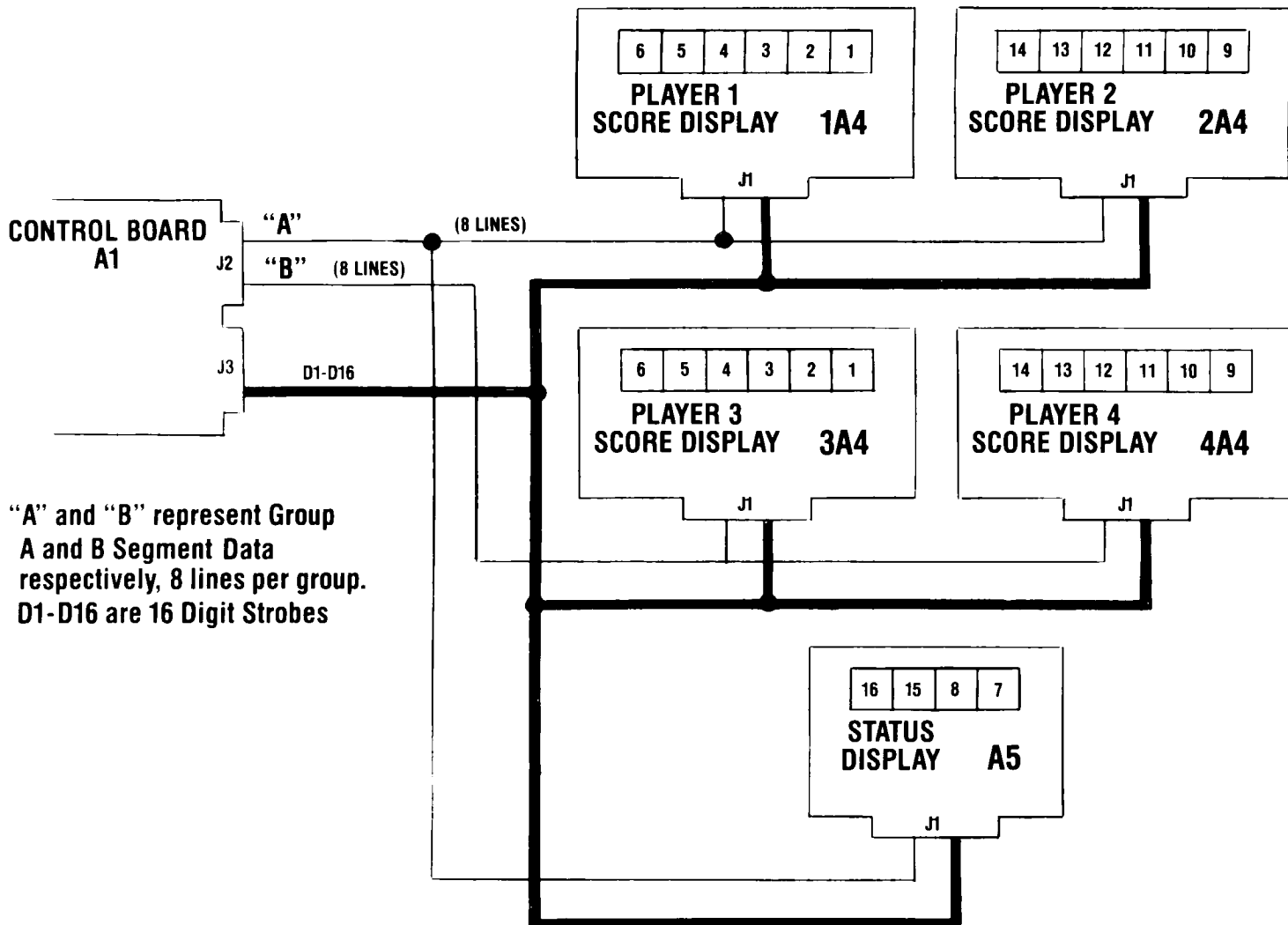
COMPONENT LOCATION DIAGRAM





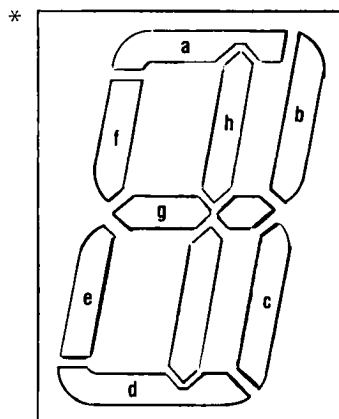






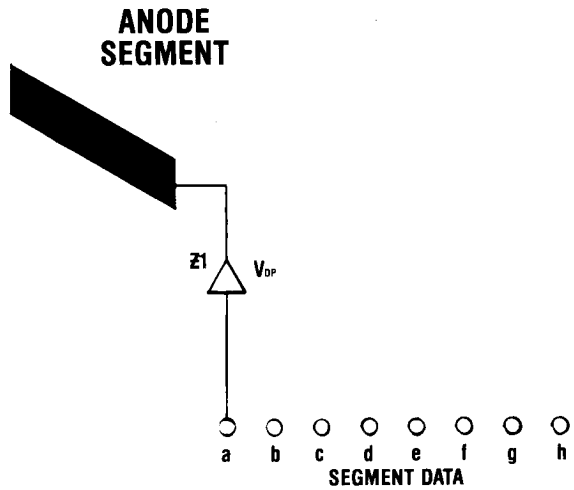
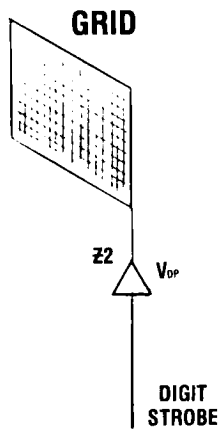
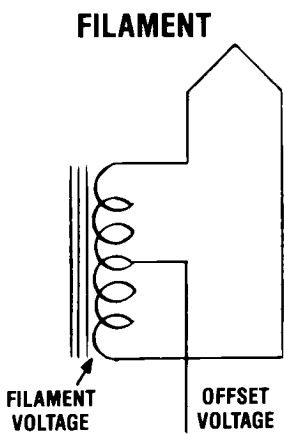
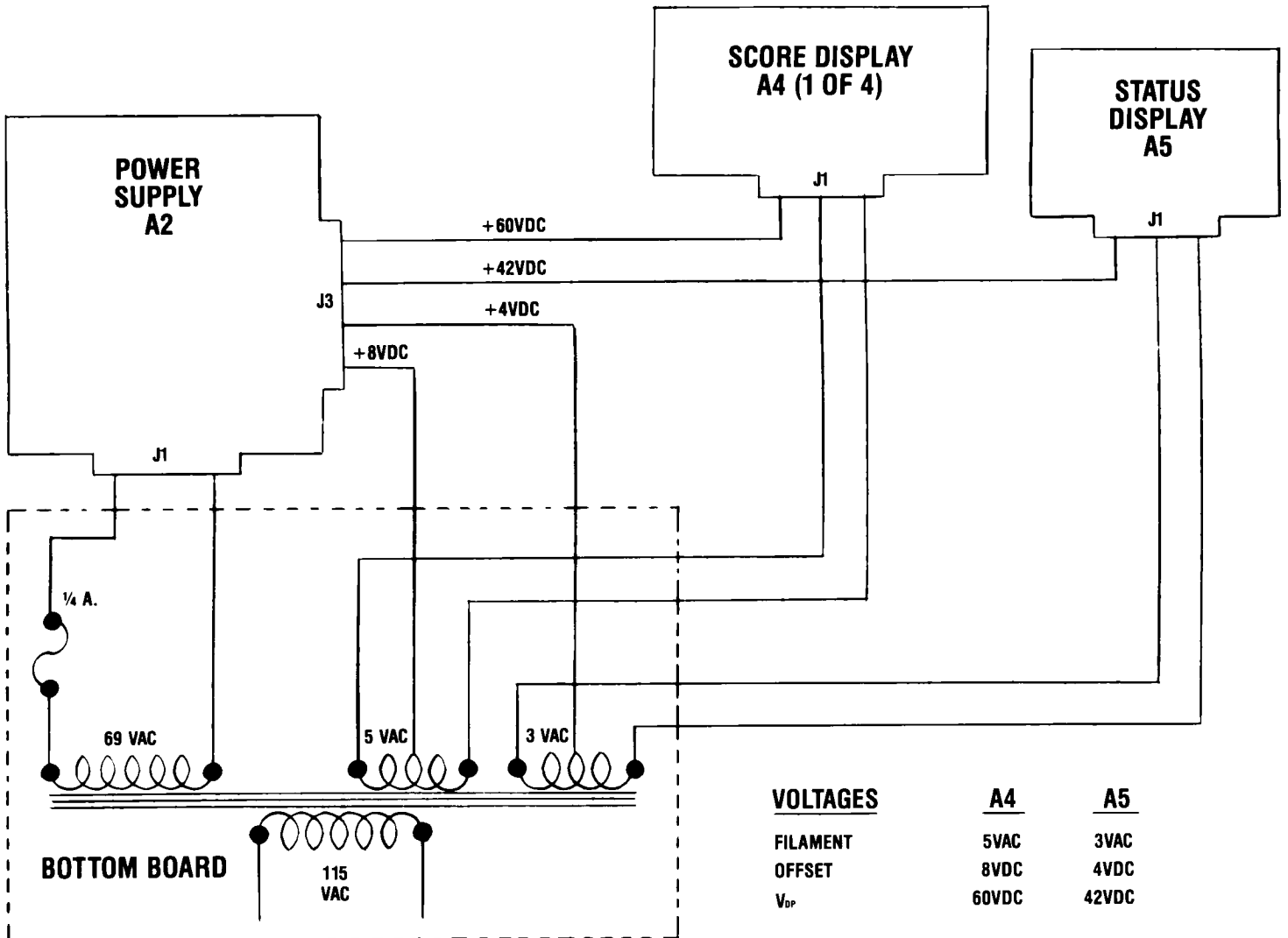
“A” and “B” represent Group A and B Segment Data respectively, 8 lines per group. D1-D16 are 16 Digit Strobes

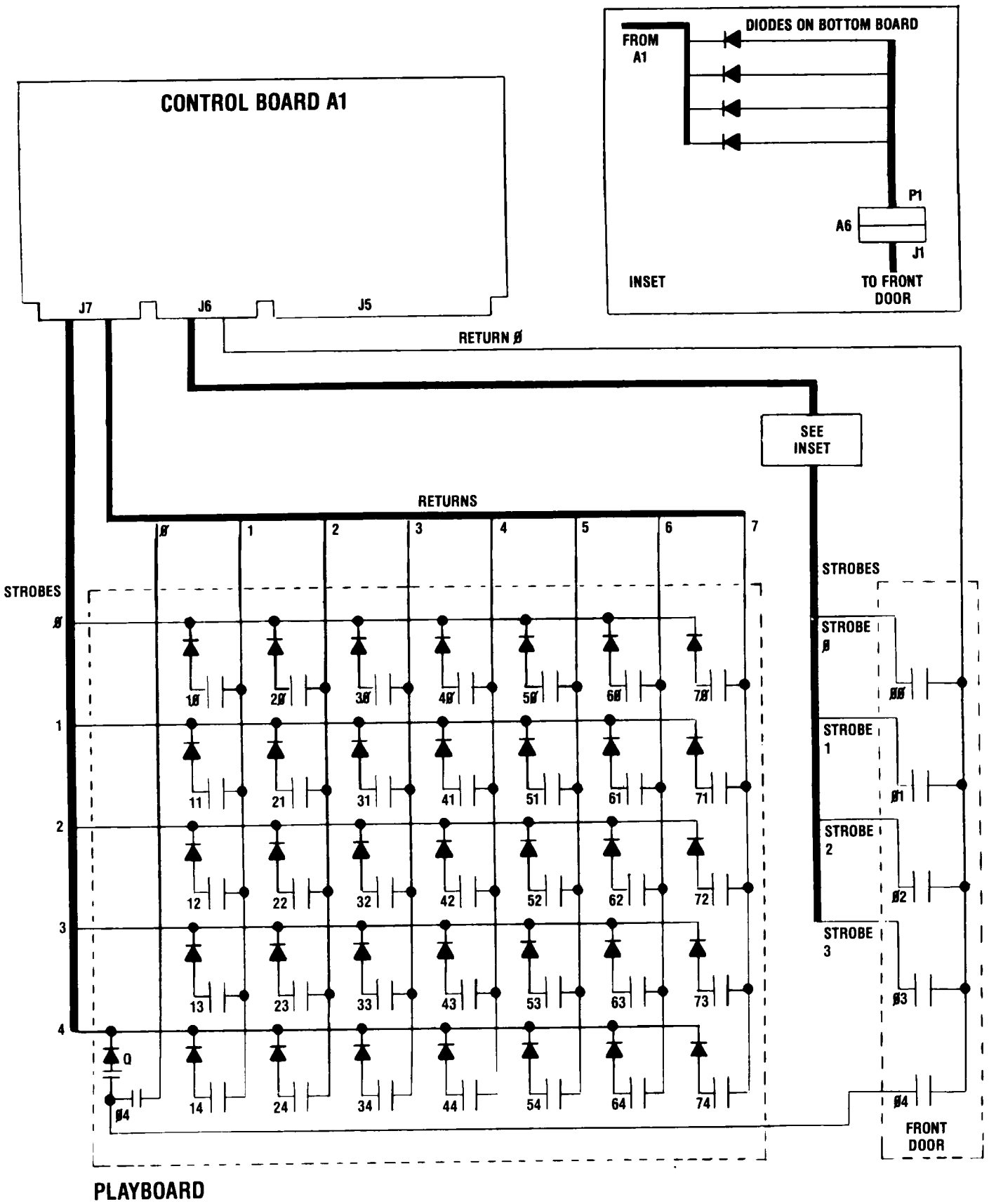
NUMBER DISPLAYED	SEGMENTS USED							
	a	b	c	d	e	f	g	h
0	■	■	■	■	■	■	■	■
1	■	■	■	■	■	■	■	■
2	■	■	■	■	■	■	■	■
3	■	■	■	■	■	■	■	■
4	■	■	■	■	■	■	■	■
5	■	■	■	■	■	■	■	■
6	■	■	■	■	■	■	■	■
7	■	■	■	■	■	■	■	■
8	■	■	■	■	■	■	■	■
9	■	■	■	■	■	■	■	■

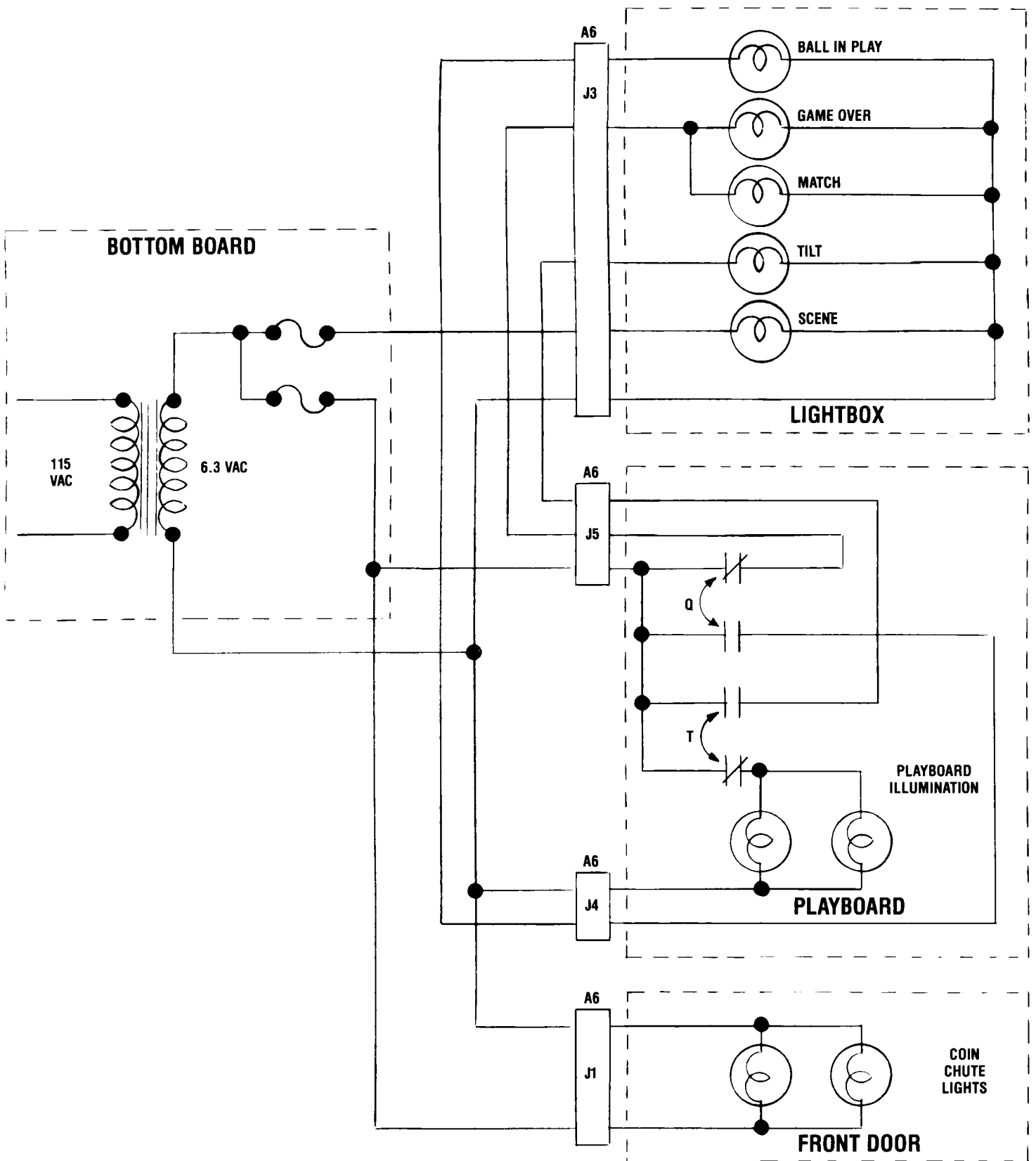


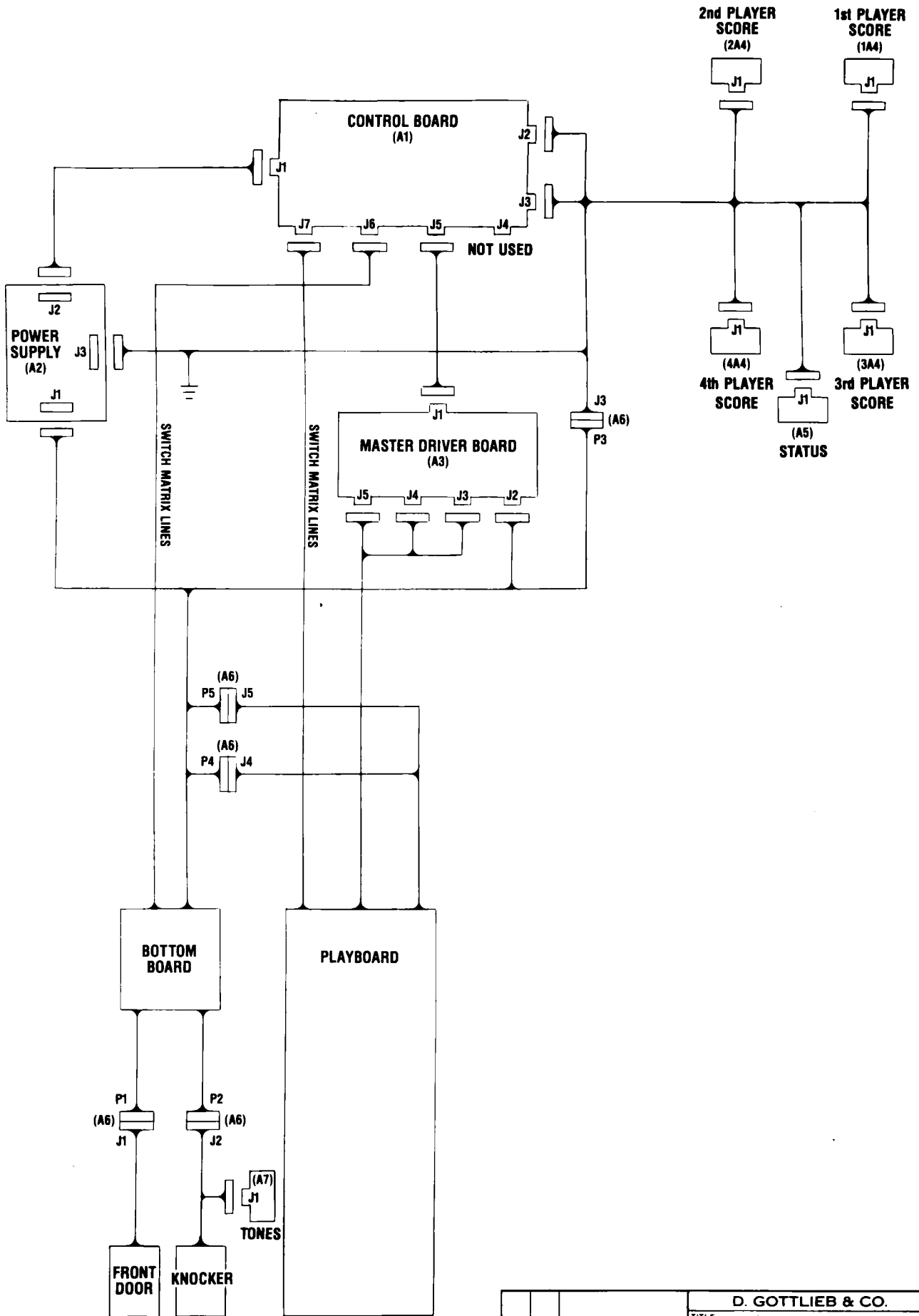
TYPICAL DIGIT

*NOTE: Display A5 does not have an “h” Segment, and the Number 1 is displayed utilizing Segments “b” and “c”.







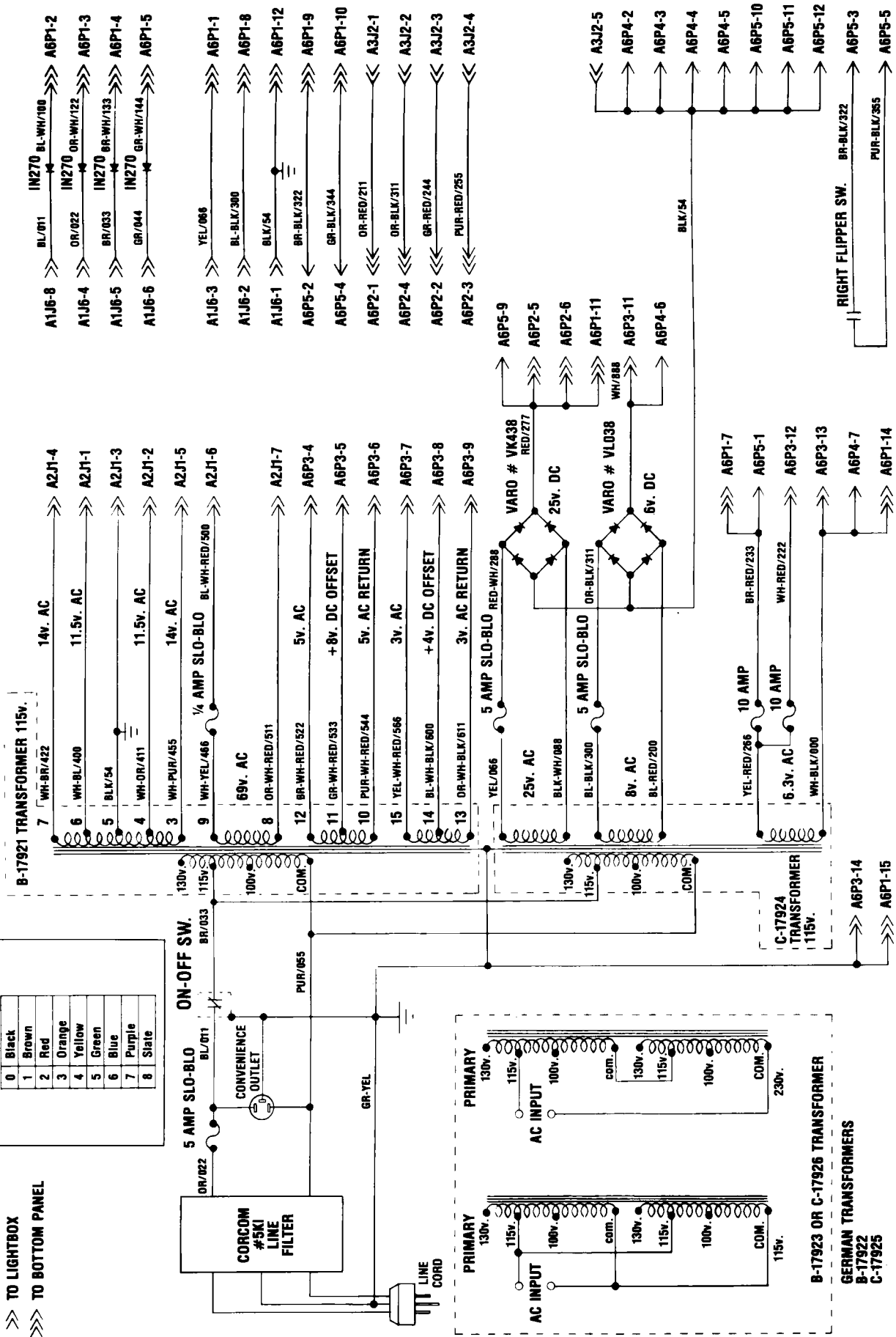


			D. GOTTLIEB & CO.		
			TITLE BLOCK CABLE DIAGRAM		
			USED ON SOLID STATE		
ISSUE	DATE	REVISIONS	DRAWN	APPROVED	DATE
					C-18012

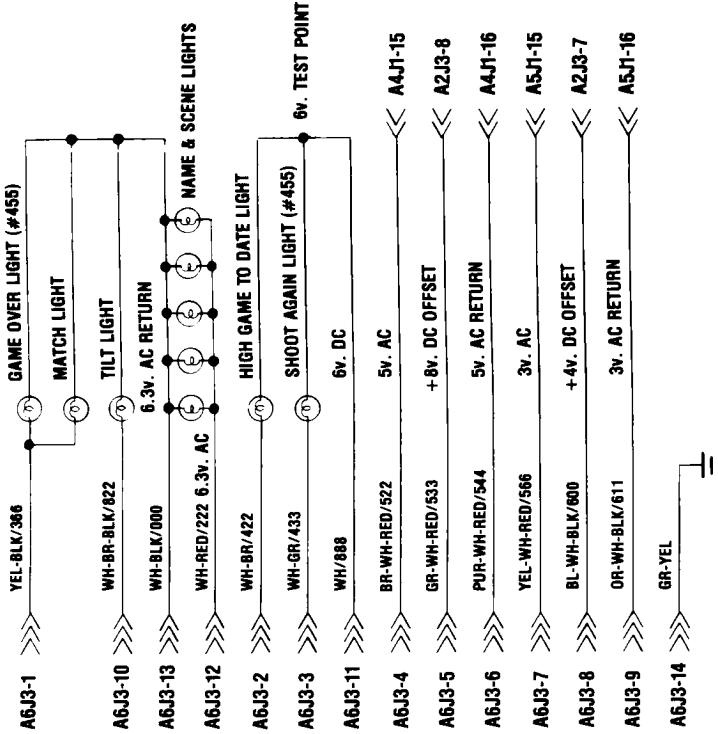
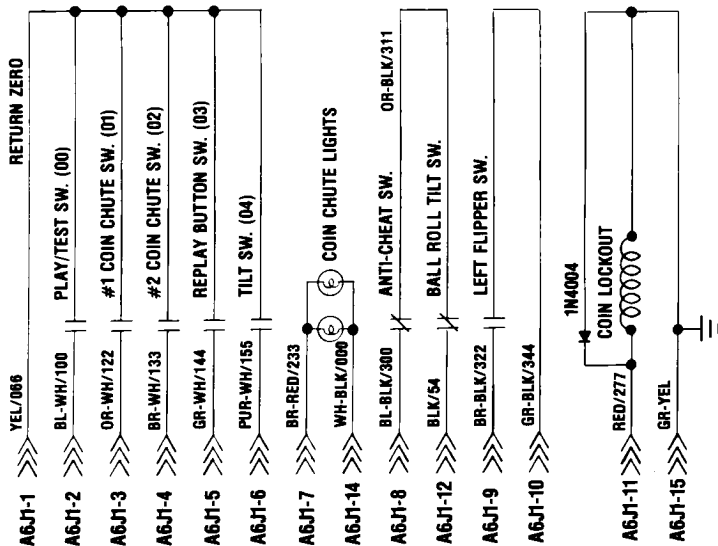
Note:
The number after the wire color indicates a possible color change.
The numbers correspond to a color as indicated in the color code chart.
Color Code Chart

0	Black
1	Brown
2	Red
3	Orange
4	Yellow
5	Green
6	Blue
7	Purple
8	Slate

NOTE:
 > TO PLAYBOARD
 >> TO LIGHTBOX
 >>> TO BOTTOM PANEL



D. GOTTLIEB & CO.	
TITLE BOTTOM BOARD SCHEMATIC	
USED ON SOLID STATE	
ISSUE DATE 1	APPROVED DATE
REVISIONS	
C-18013	

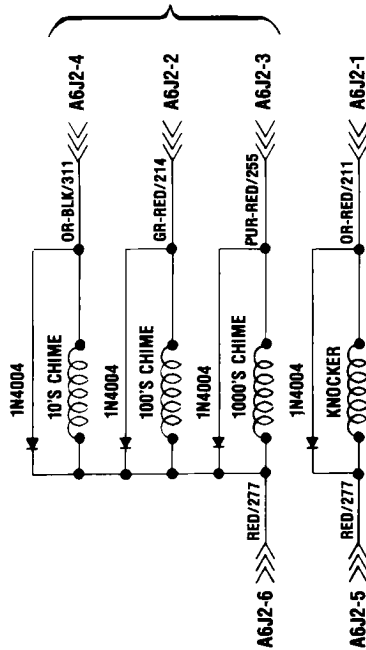


Note: The number after the wire color indicates a possible color change. The numbers correspond to a color as indicated in the color code chart.

Color Code Chart

0	Black
1	Brown
2	Red
3	Orange
4	Yellow
5	Green
6	Blue
7	Purple
8	Slate

**REFER TO
DRWG. B-18555
FOR GAMES
WITH SOUND**



COILS USED

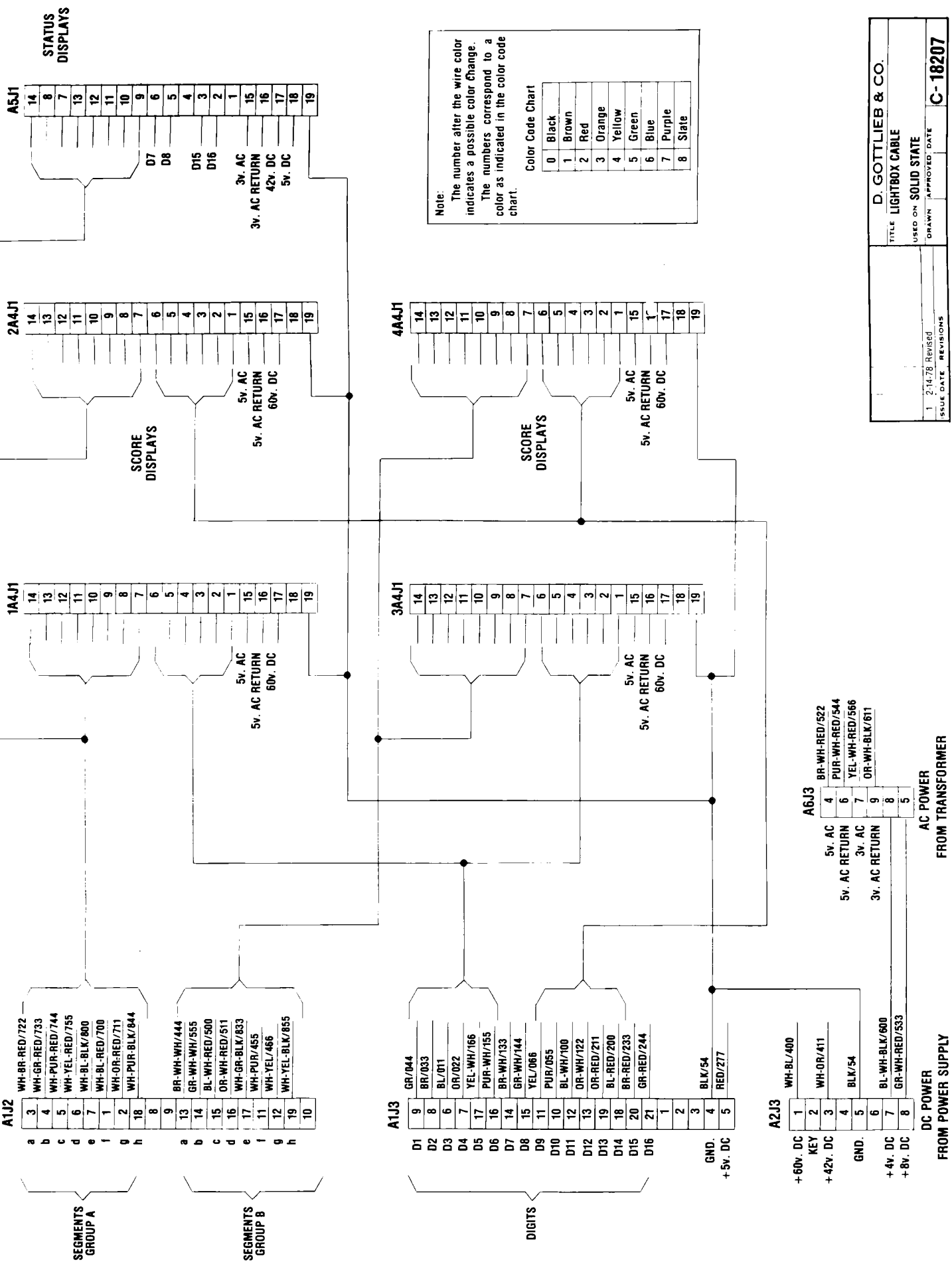
PART NO.	DESCRIPTION
A-17876	CHIME COILS
A-5195	KNOCKER COIL
A-16890	COIN LOCKOUT COIL

NOTE: > FROM PLAYBOARD

>> FROM LIGHT BOX

>>> FROM BOTTOM BOARD

D. GOTTLIEB & CO.	
TITLE	BOTTOM BOARD & LIGHT BOX
USED ON	SCHEMATIC
DRAWN	SOLID STATE
APPROVED DATE	
ISSUE DATE	REVISIONS
	C-18014

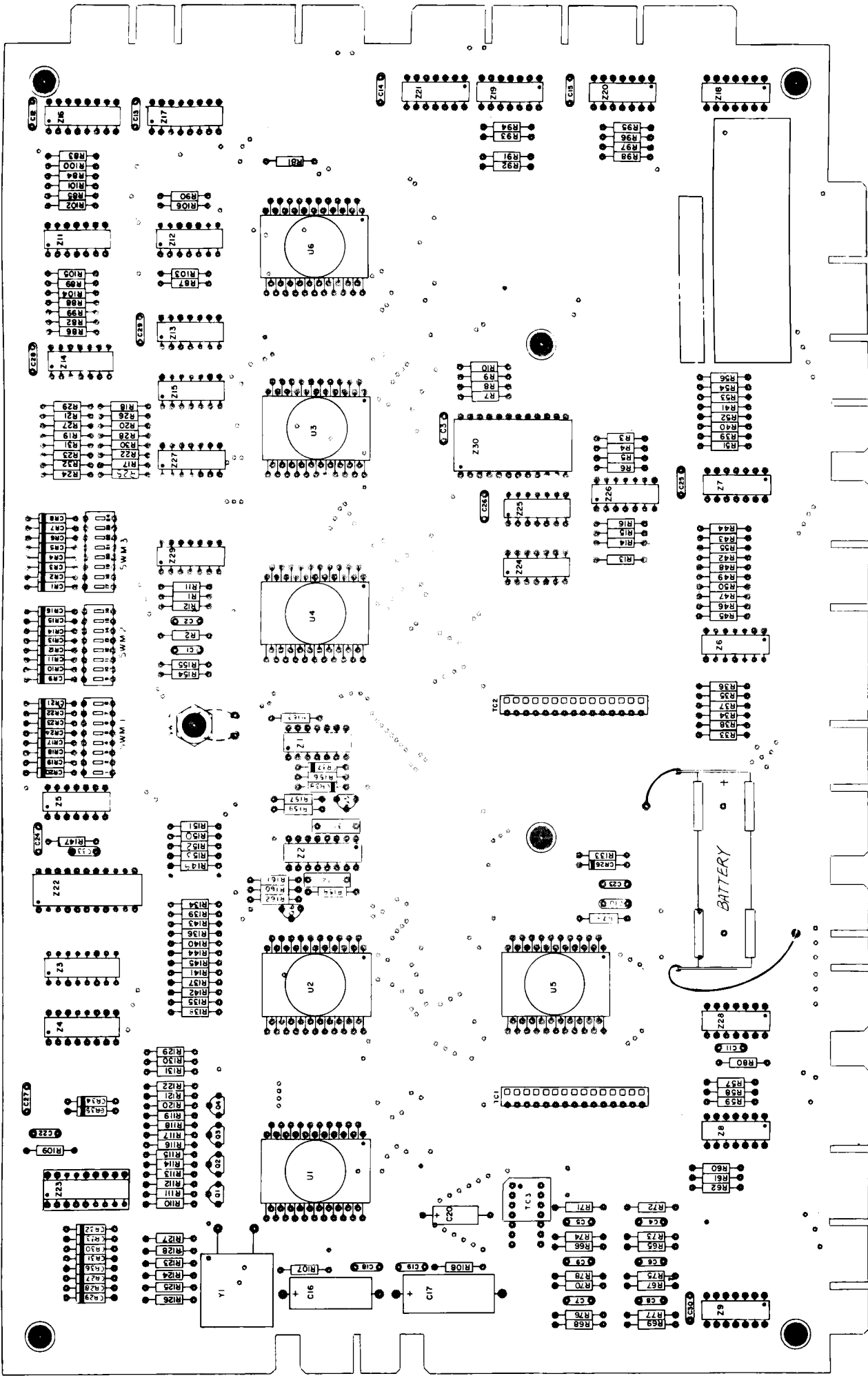


Note: The number after the wire color indicates a possible color change. The numbers correspond to a color as indicated in the color code chart.

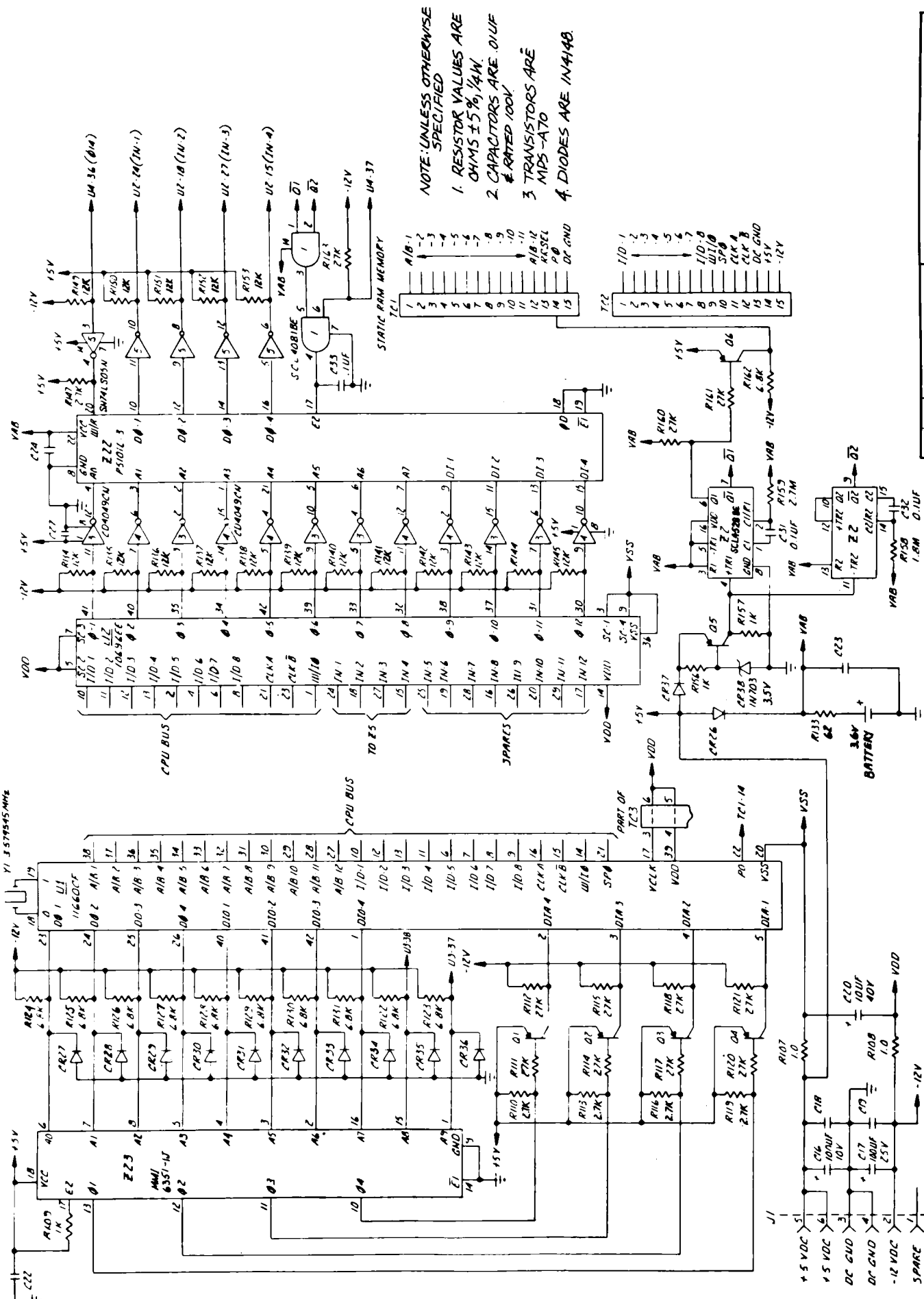
Color Code Chart

0	Black
1	Brown
2	Red
3	Orange
4	Yellow
5	Green
6	Blue
7	Purple
8	Slate

D. GOTTLIEB & CO.	
TITLE LIGHTBOX CABLE	
USED ON SOLID STATE	
1 2-14-78 Revised	DRAWN APPROVED DATE
ISSUE DATE, REVISIONS	
	C-18207

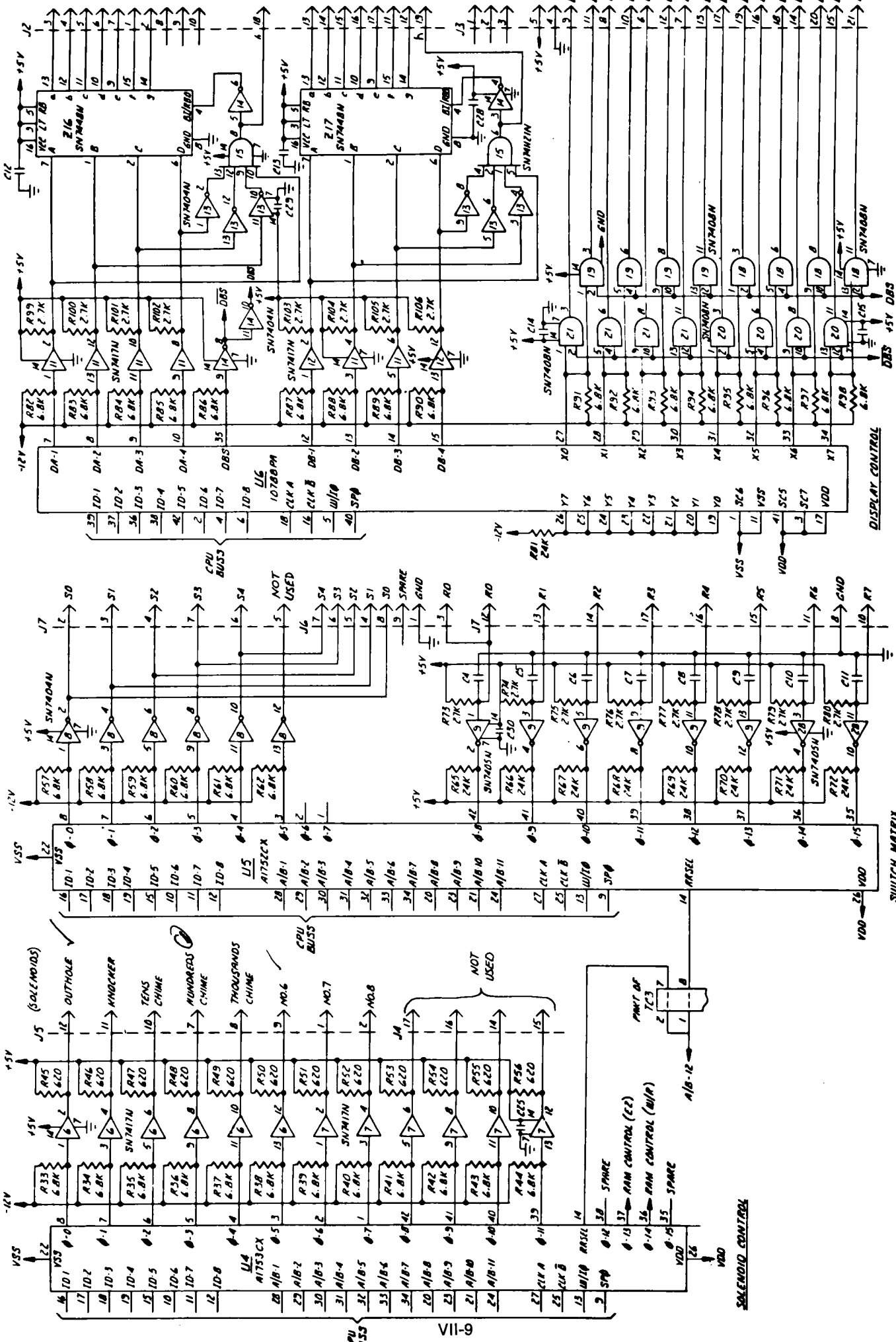


D. GOTTLIEB & CO.	
TITLE SCHEMATIC DIAGRAM-CONTROL BOARD	
USED ON	
ISSUE DATE	APPROVED DATE
1 / 2-78	REVISED
REVISIONS	PB00-D100

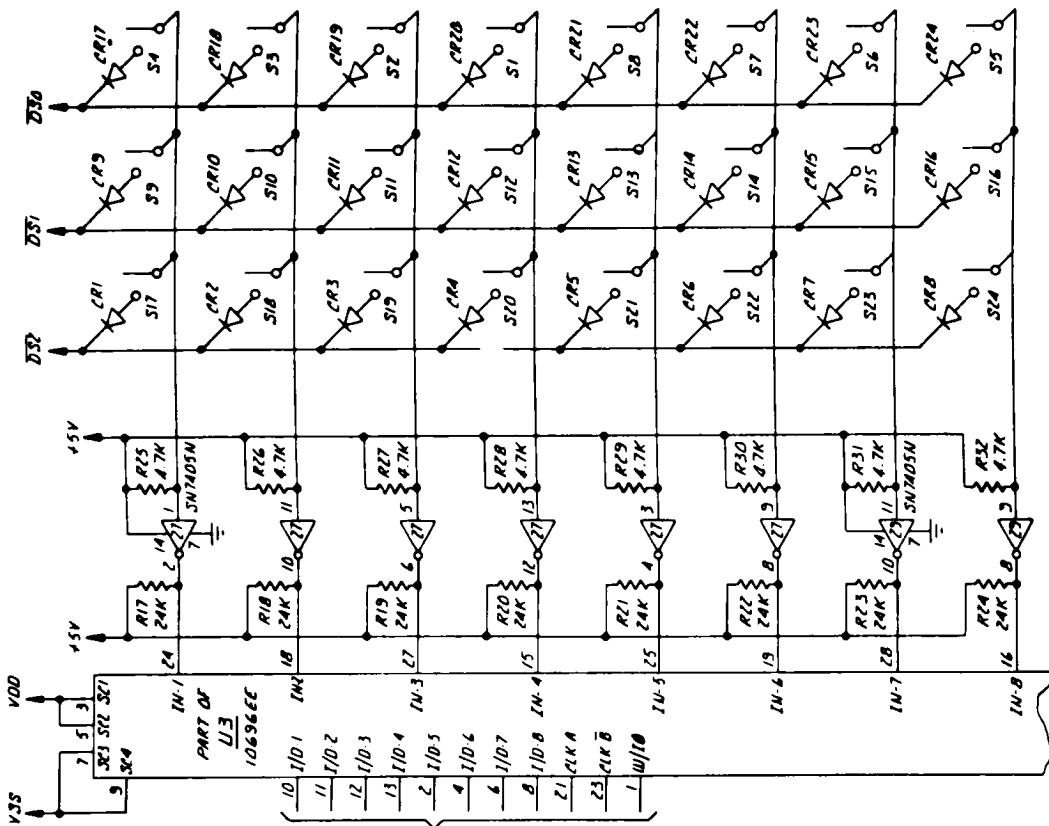


NOTE: UNLESS OTHERWISE SPECIFIED
 1. RESISTOR VALUES ARE OHMS $\pm 5\%$ 1/4W
 2. CAPACITORS ARE 0.1UF \pm RATED 100V
 3. TRANSISTORS ARE MIP5-A70
 4. DIODES ARE IN4140

D. GOTTLIEB & CO.	
TITLE SCHEMATIC DIAGRAM-	
USED ON CONTROL BOARD	
ISSUE DATE	APPROVED DATE
1 / 2-78	
REVISED	
REVISIONS	
P800-X101	

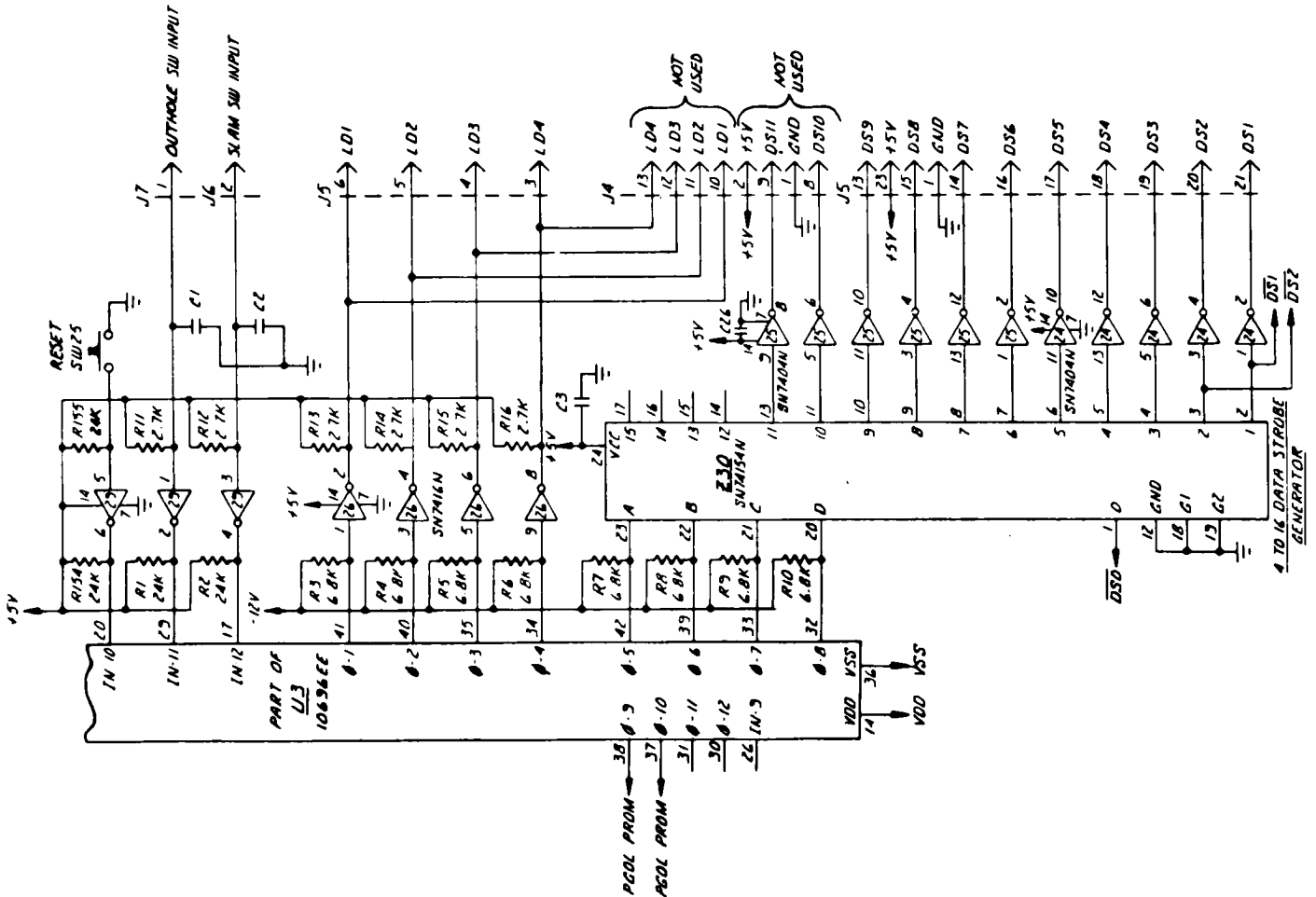


D. GOTTLIEB & CO.	
TITLE SCHEMATIC DIAGRAM-	
USED ON CONTROL BOARD	
ISSUE DATE	APPROVED DATE
1 / 2-78	REVISED
REVISIONS	
PB80-X101	



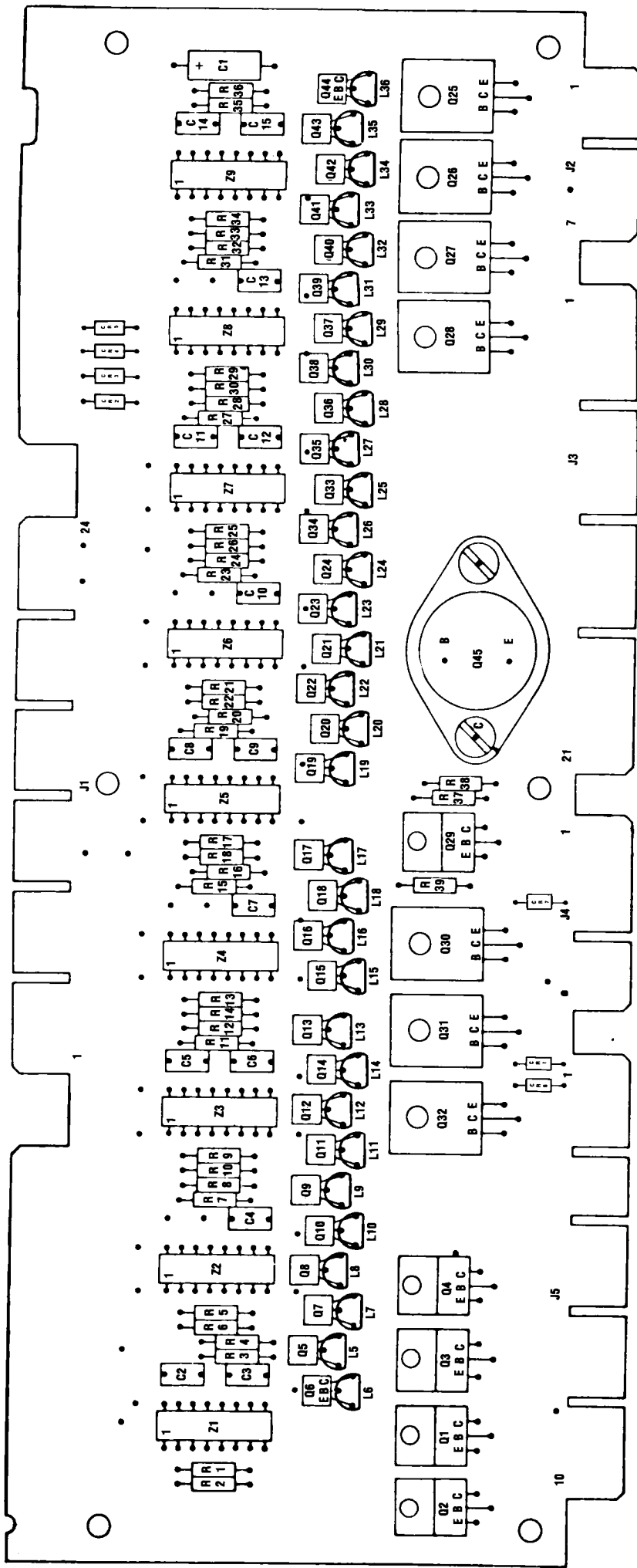
ADJUSTABLE PARAMETER MATRIX

LAMP & APM CONTROL



D. GOTTLIEB & CO.	
TITLE SCHEMATIC DIAGRAM-	
USED ON CONTROL BOARD	
1	2-78
ISSUE DATE	REVISED
	APPROVED DATE
	REVISIONS
	PB00-X101

NOTE:
 L5 TO L36 INDICATE LAMP ASSIGNMENT
 SEE LAMP ASSIGNMENT PAGE FOR DESCRIPTION.

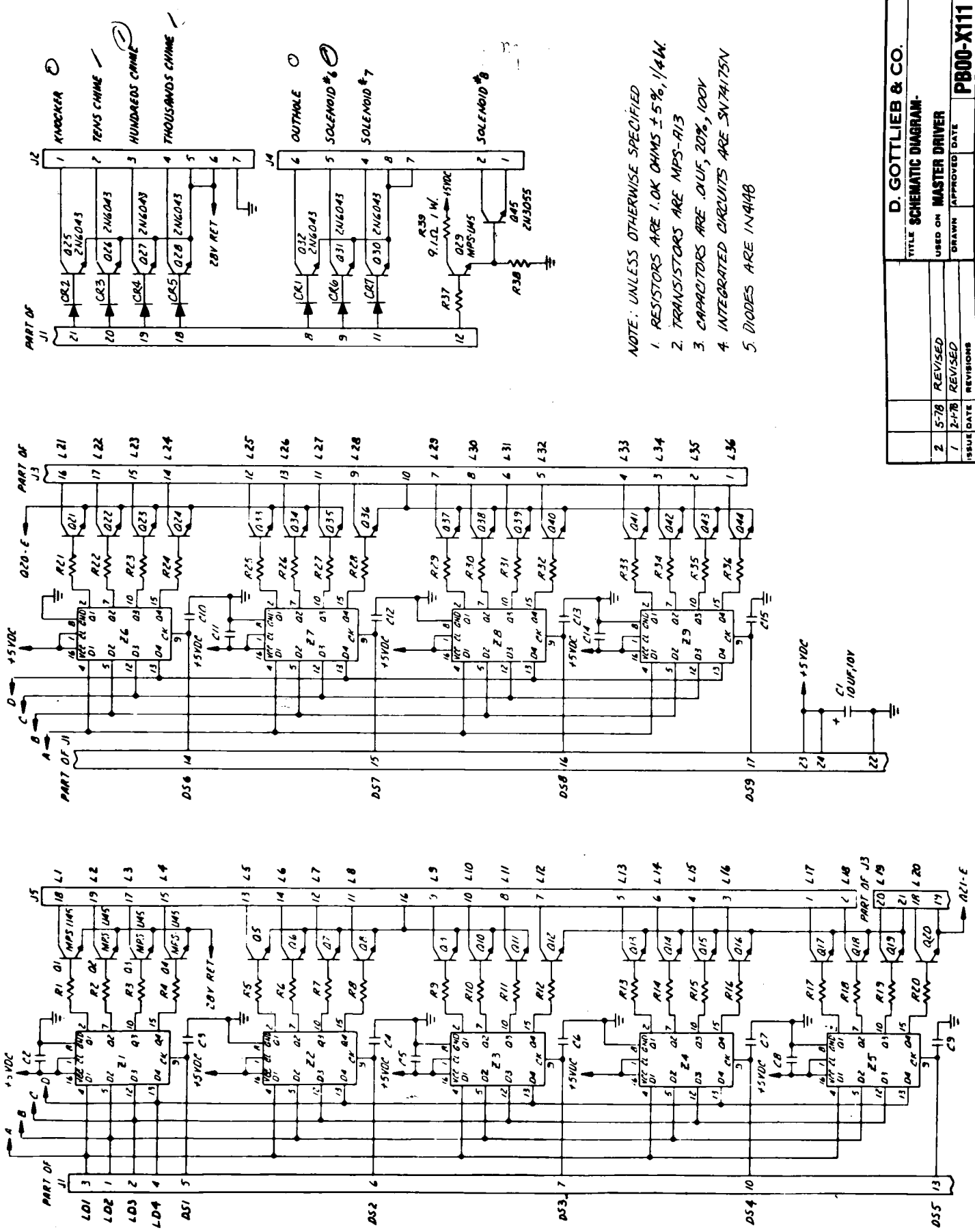


Q1—GAME OVER RELAY
 Q2—TILT RELAY
 Q3—HIGH GAME TO DATE
 Q4—SHOOT AGAIN

Q25—KNOCKER
 Q26—TENS
 Q27—HUNDREDS
 Q28—THOUSANDS

Q29 & Q45—SOLENOID #8
 Q30—SOLENOID #7
 Q31—SOLENOID #6
 Q32—OUTHOLE

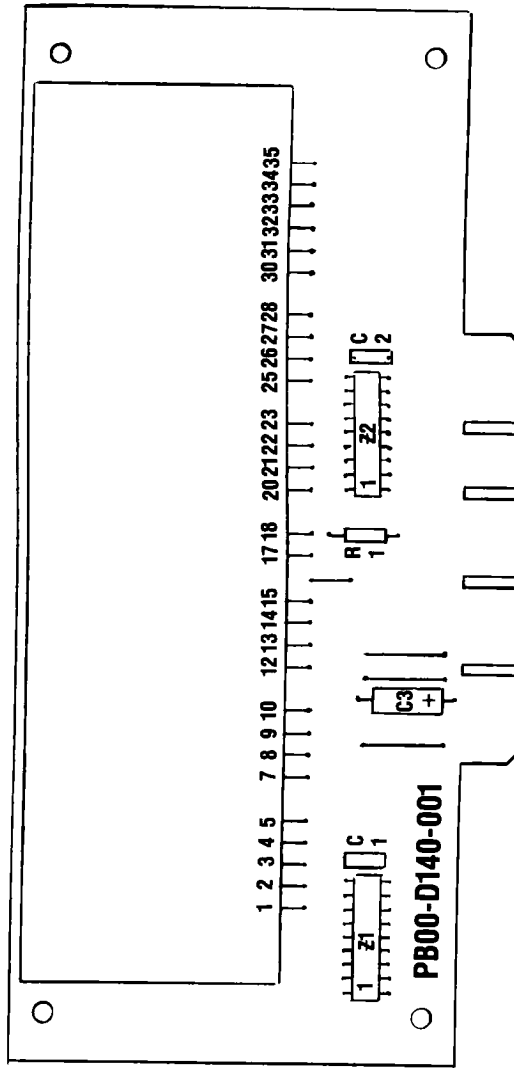
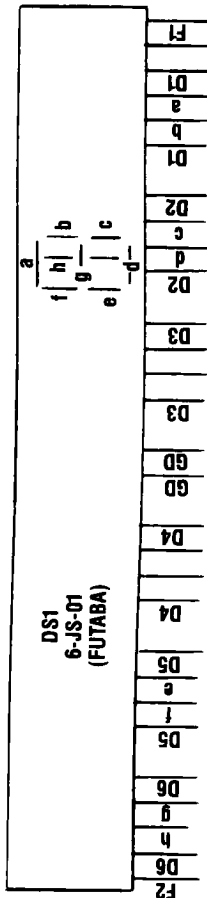
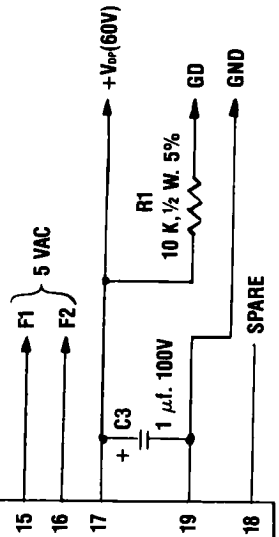
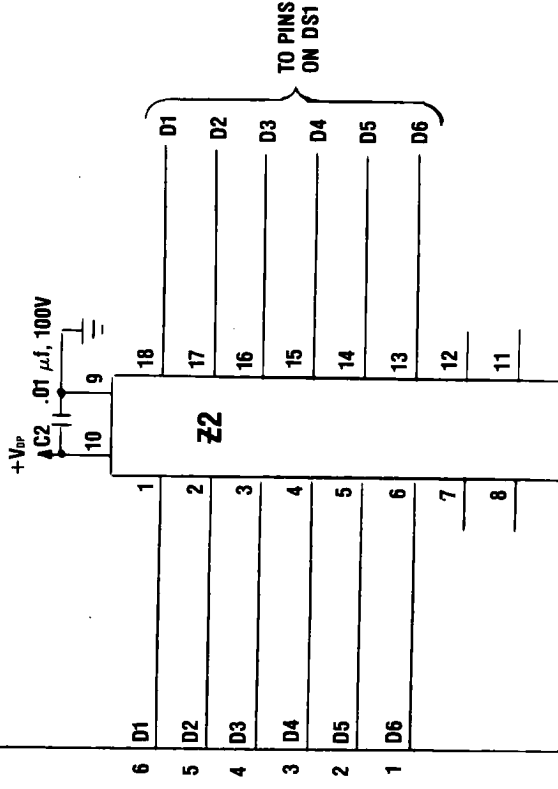
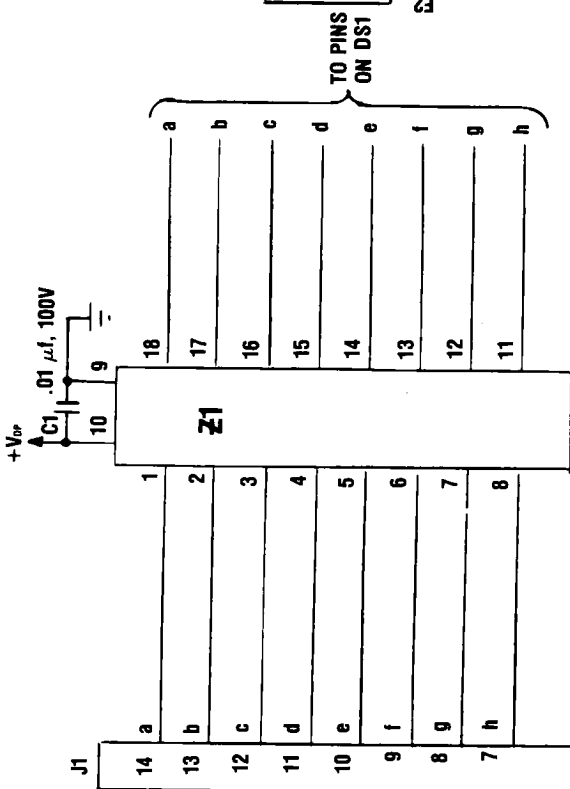
		D. GOTTLIEB & CO.	
1		5-78	REVISED
ISSUE	DATE	DRAWN	APPROVED DATE
		REVISIONS	
		PB00-D110	



NOTE: UNLESS OTHERWISE SPECIFIED

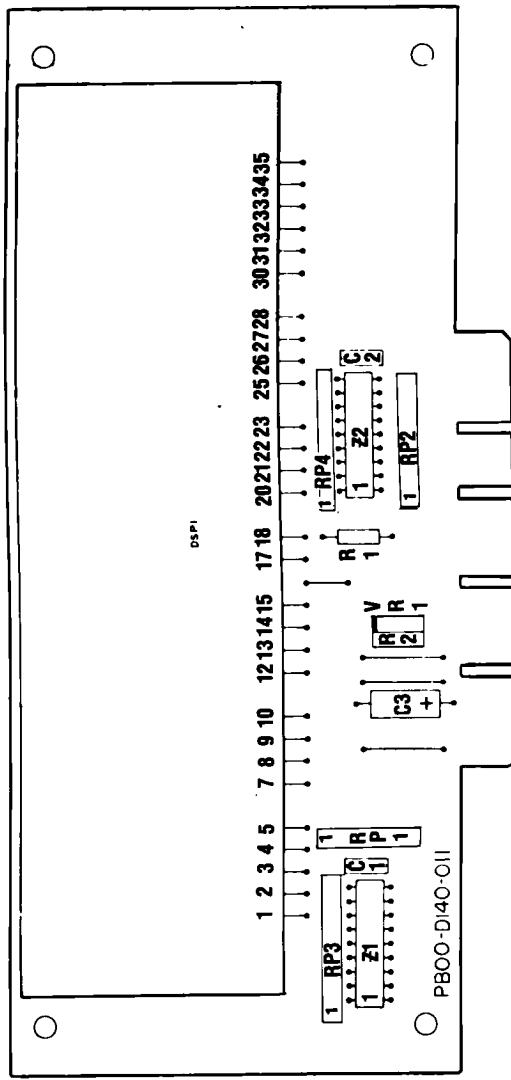
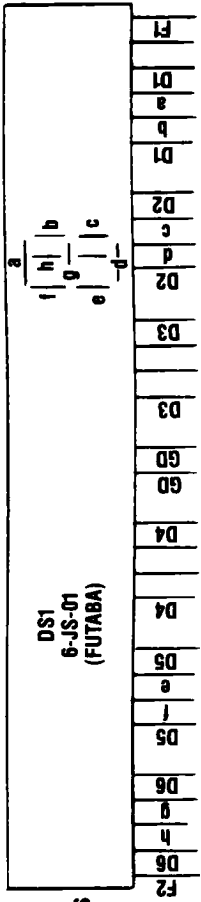
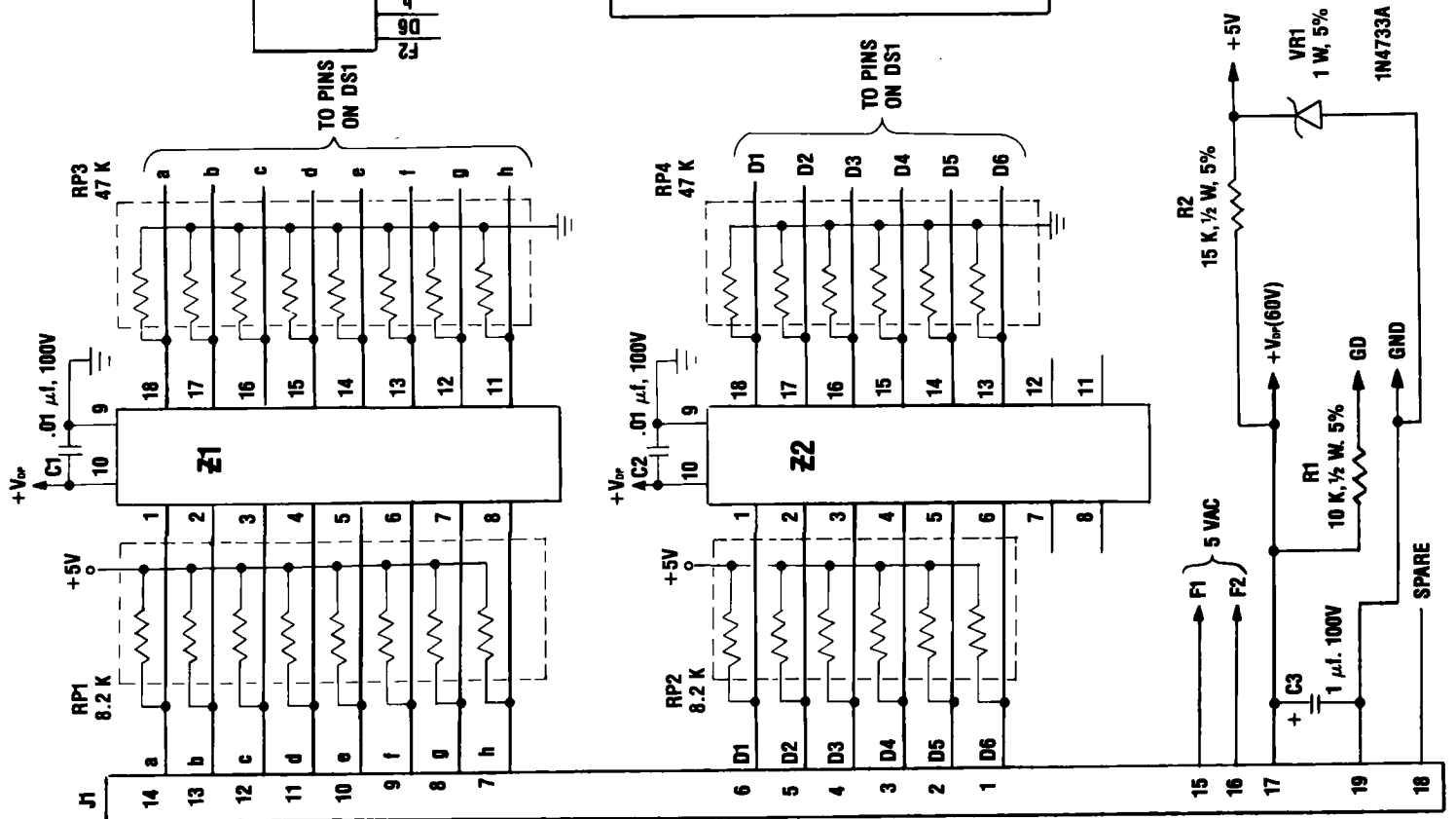
1. RESISTORS ARE 1.0K OHMS ± 5%, 1/4W.
2. TRANSISTORS ARE MPS-R13
3. CAPACITORS ARE .01UF, 20%, 100V
4. INTEGRATED CIRCUITS ARE SN74175N
5. DIODES ARE 1N4148

D. GOTTLIEB & CO.	
TITLE SCHEMATIC DIAGRAM-	
USED ON MASTER DRIVER	
ISSUE	REVISIONS
2	5-78 REVISED
1	2-78 REVISED
DATE	APPROVED DATE
	PB00-X111



NOTE: Z1 & Z2 ARE UDN6118A (SPRAGUE)

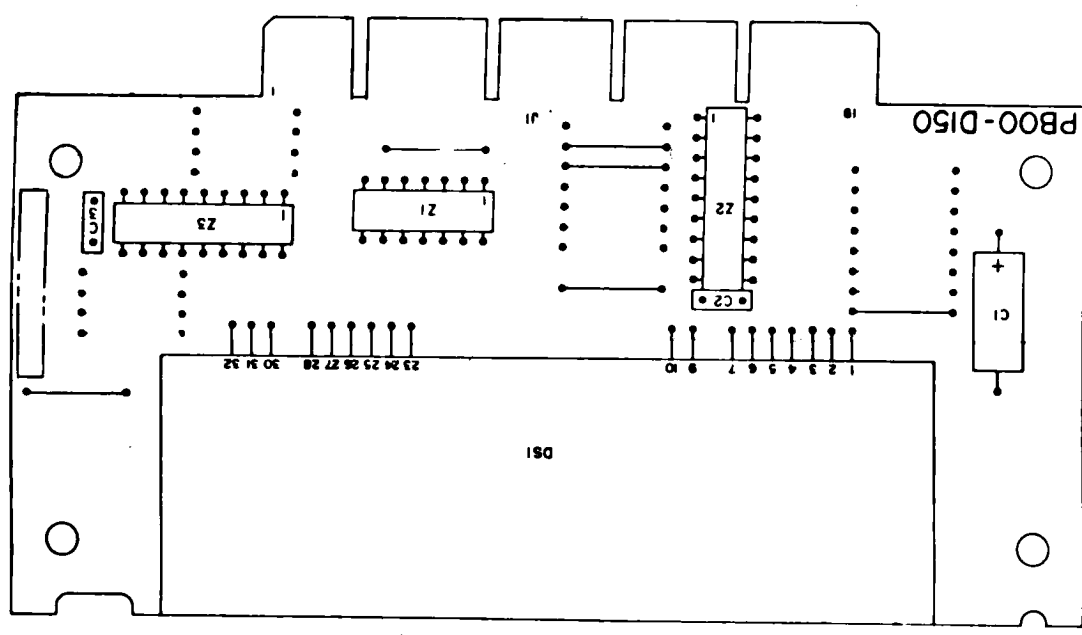
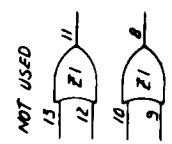
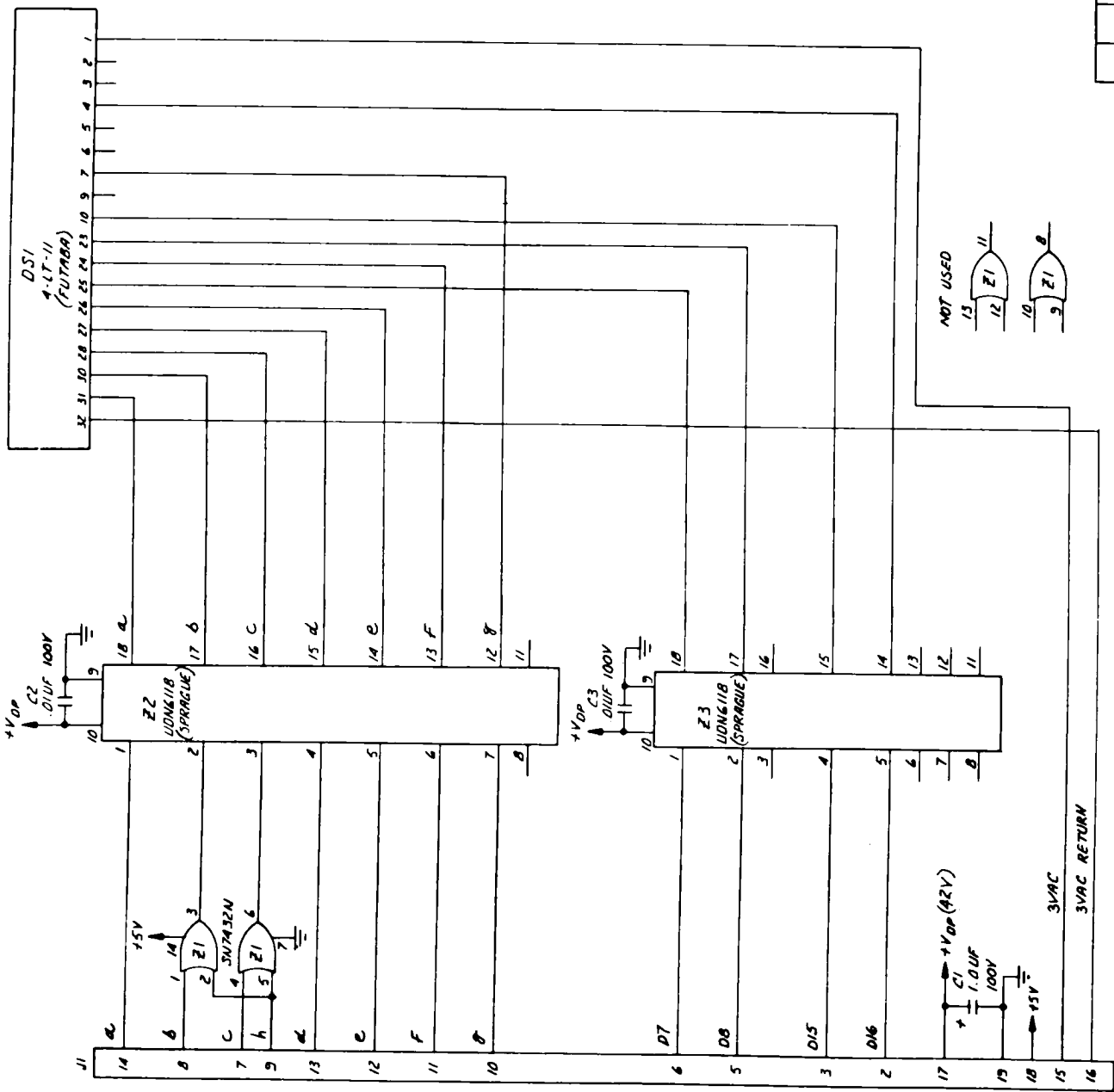
D. GOTTLIEB & CO.	
TITLE SCHEMATIC DIAGRAM —	
USED ON SPRAGUE DRIVER	
ISSUE DATE	REVISIONS
1 / 2-7-78	REVISED
	APPROVED DATE
	PB00-D140



NOTE: UNLESS OTHERWISE SPECIFIED

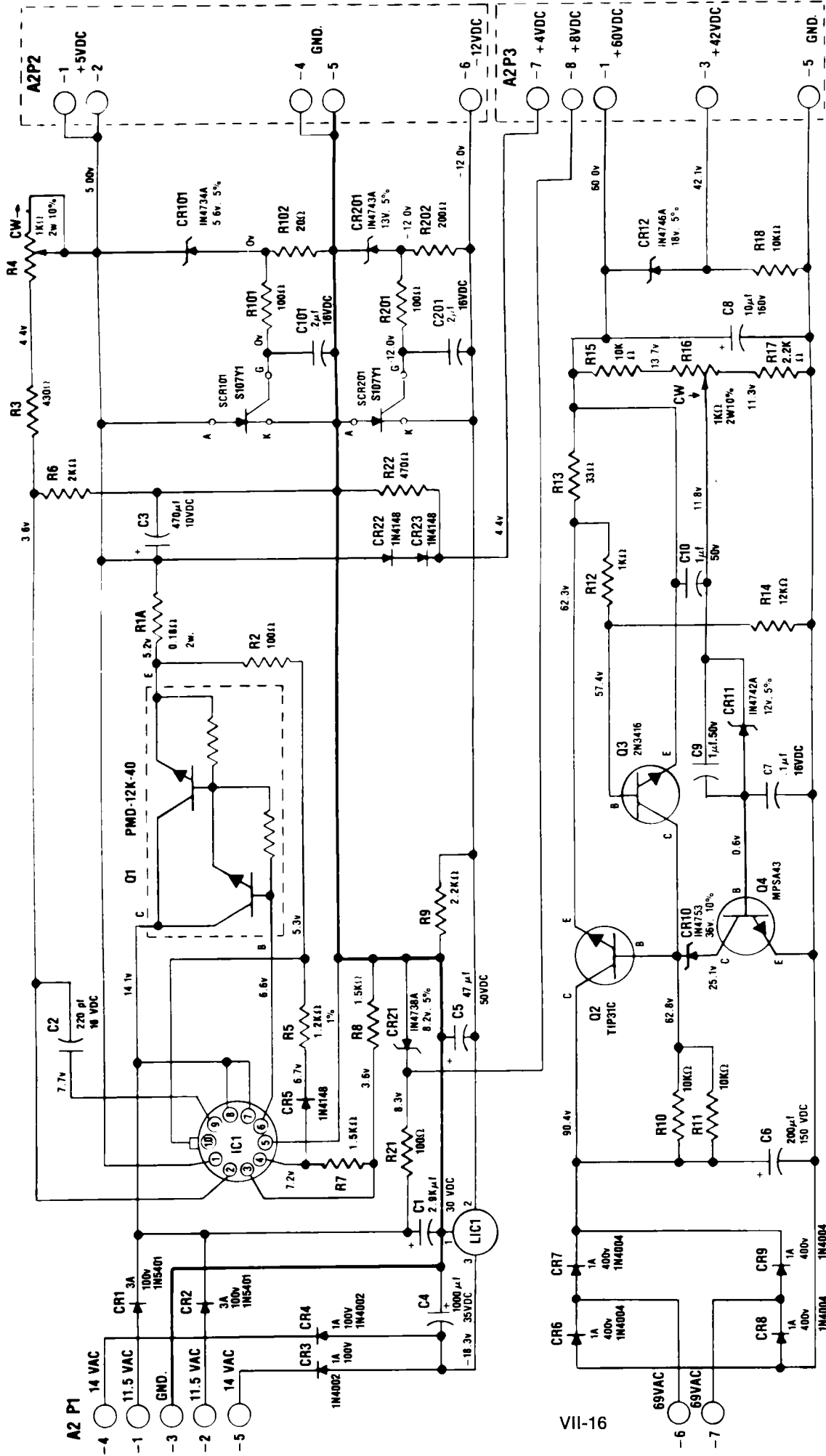
1. Z1 & Z2 ARE DI513 (dionics) -11 ONLY
2. RP1, RP2, RP3, RP4, R2 & VR1 ARE USED ON -11 ASS'Y ONLY.

D. GOTTLIEB & CO.	
TITLE SCHEMATIC DIAGRAM—	
USED ON 6 DIGIT DISPLAY	
2	5-78 REVISED
1	2-78 REVISED
ISSUE/DATE	REVISIONS
	PB00-D140



NOTE:
RESISTOR VALUES ARE IN
OHMS ±5%, 1/4 W

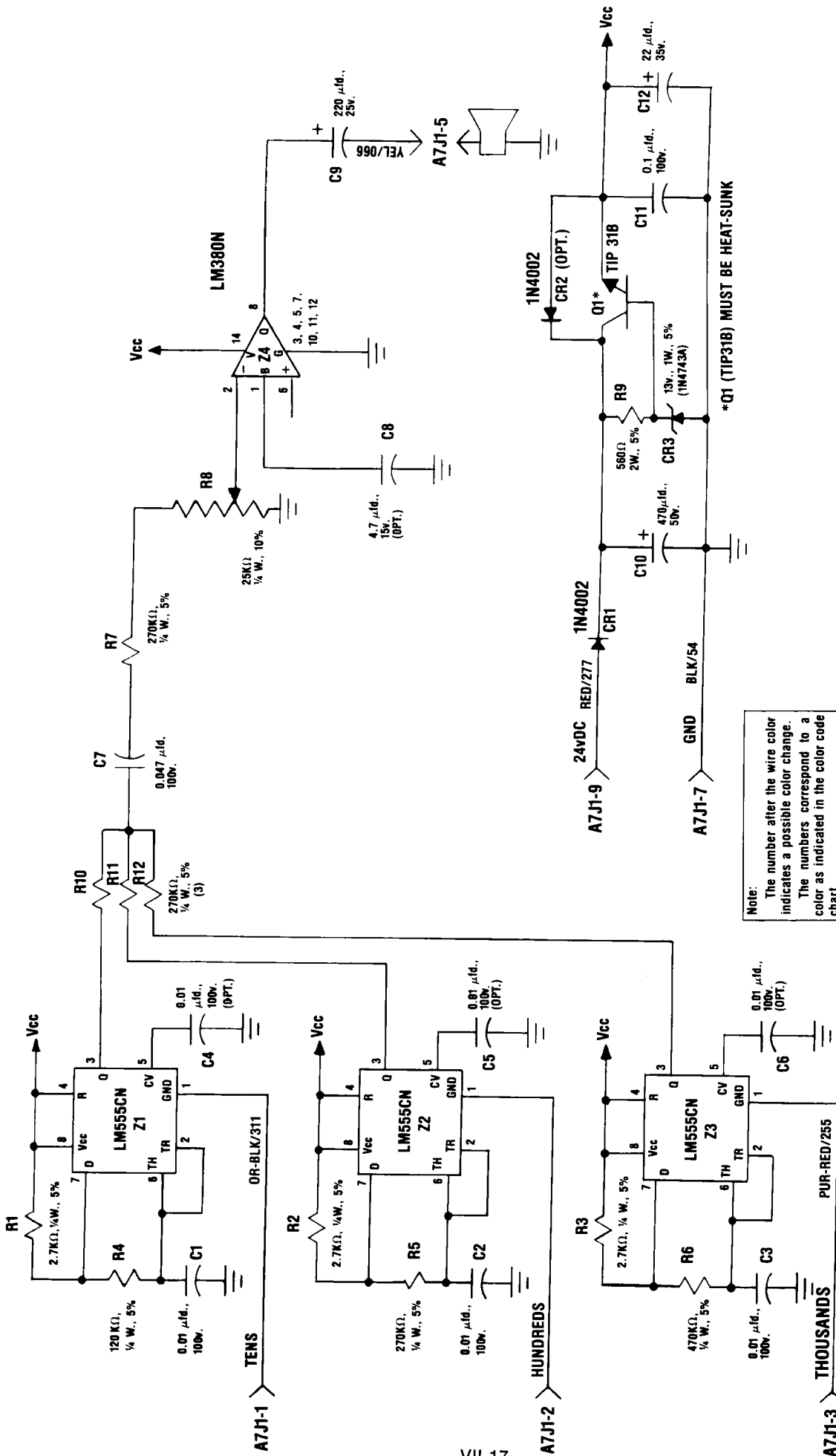
D. GOTTLIEB & CO.	
TITLE SCHEMATIC DIAGRAM-	
USED ON 4 DIGIT DISPLAY	
ISSUE DATE	REVISED
1 2-78	
APPROVED DATE	REVISIONS
PB00-D150	



CR1, CR2 WAS MR751, CR5, CR22, CR23 WAS IN914, R21 WAS 680, R17 WAS 2.4K, R10-R11 WAS 15K, ADDED C9, C10		
4	6-78	Revised
3	2-1-78	Revised
2	1-18-78	Added Voltages
1	1-16-78	R13 WAS 56 Ω
ISSUE/DATE	REVISIONS	

D. GOTTLIEB & CO	
POWER SUPPLY SCHEMATIC	
USED ON	SOLID STATE GAME
DESIGNED BY	R. H. M.
APPROVED DATE	1-9-78
B-18396	

- NOTE: UNLESS OTHERWISE SPECIFIED**
1. RESISTORS ARE 1/2 W. ± 5%
 2. VOLTAGES ARE DC AND WITH RESPECT TO GROUND.
 3. ALL VOLTAGES ARE TYPICAL.



Note: The number after the wire color indicates a possible color change. The numbers correspond to a color as indicated in the color code chart.

Color Code Chart

0	Black
1	Brown
2	Red
3	Orange
4	Yellow
5	Green
6	Blue
7	Purple
8	Slate

D. GOTTLIEB & CO.	
TITLE	SYNTHESIZED TONES
USED ON	
DRAWN	APPROVED DATE
1-16-78	R13 Was 56Ω
1-16-78	R13 Was 56Ω
ISSUE DATE	REVISIONS
B-18555	