

*Bally*

# SERVICE BULLETIN

No. \_\_\_\_\_

Name of Product ALL ELECTRONIC FLIPPERS

Effective IMMEDIATELY

TO: SERVICE/PARTS MANAGERS

- A. Attached is an assembly drawing of a BALLY electronic flipper. It shows two new assemblies: the SP-200-212 spring and the A3714-3 plunger and link assembly.

These are designed to REPLACE the SP200-211 spring and the A3714-2 plunger and link assembly.

The addition of these components is the recommended method for correcting flipper hang-up on some electronic games.

- B. The thumper bumper skirt assembly C790 has been changed to a stronger nylon material to prevent breakage.

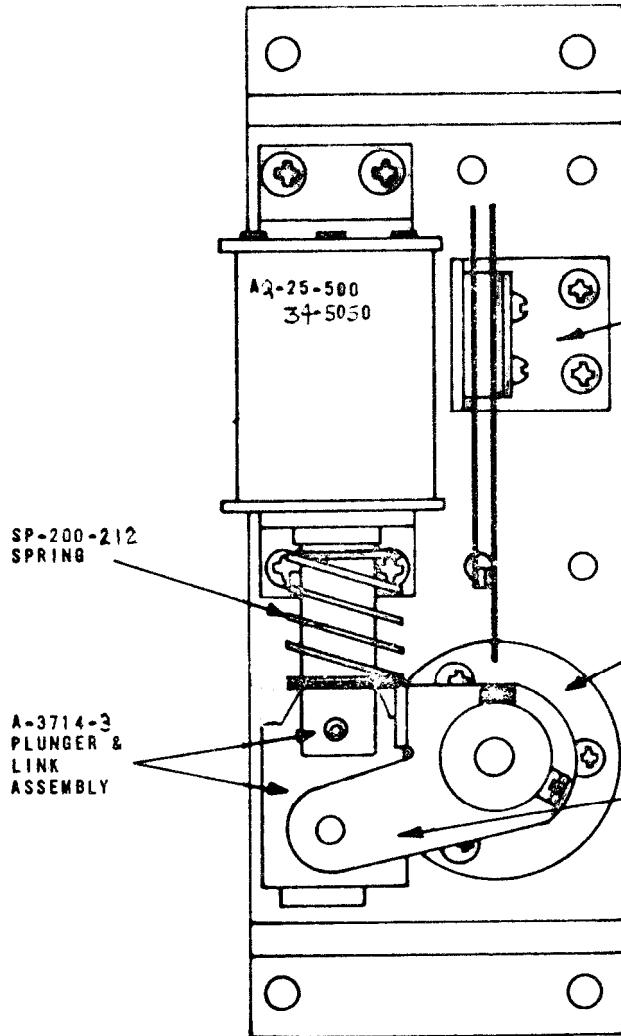
This new skirt is available under the same part C790.

- C. Also attached is a typical playfield wiring diagram for an electronic flipper game, with the addition of a one Amp. slow blow fuse in the solenoid circuit.

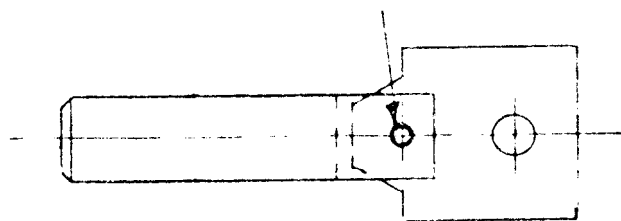
This fuse is in series with the 43 volt line to all playfield solenoids except the flippers.

November 10, 1977

Q



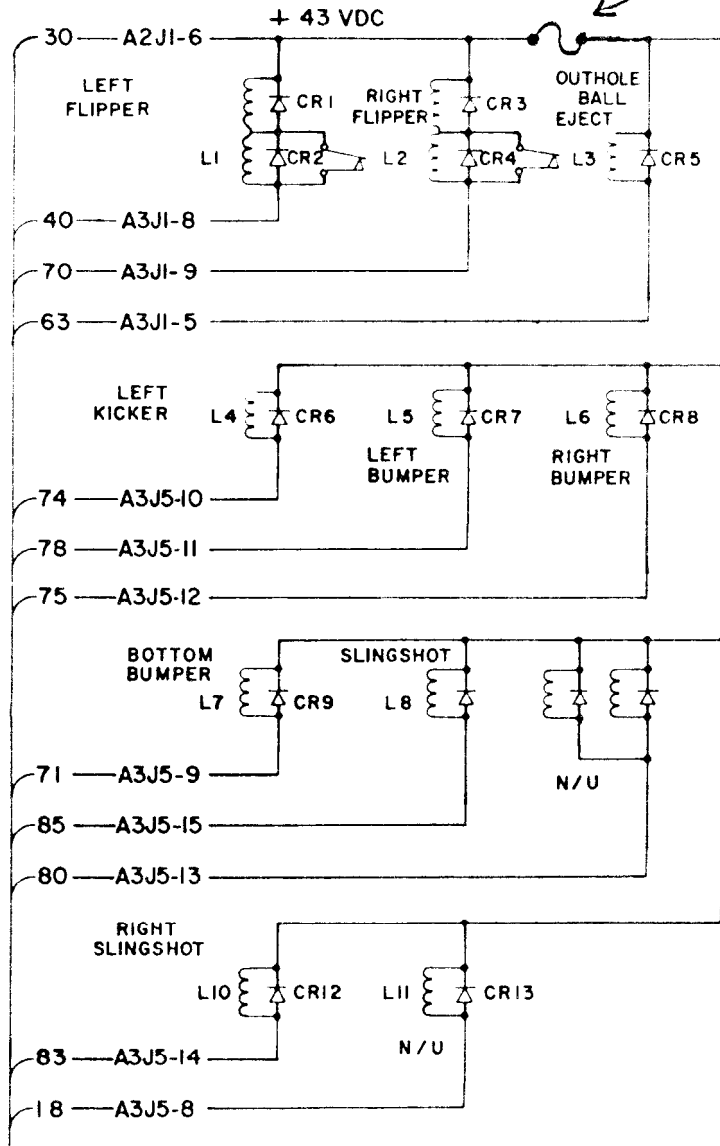
ASE1587-10; FLIPPER UNIT



A-3714-3  
PLUNGER & LINK ASSEM.

R

ADD 1 AMP  
SLOW BLOW FUSE



S