

**GAME PLAN, INC.**  
**COCKTAIL PINBALL**  
**(MODEL 120)**

**PARTS CATALOG**

GAME PLAN, INC.  
140 LIVELY BOULEVARD  
ELK GROVE VILLAGE, IL. 60007

02-30011N

## INTRODUCTION

THIS PARTS CATALOG HAS BEEN COMPILED TO HELP THE SERVICEMAN IN SELECTING THE PARTS NECESSARY FOR PROPER MAINTENANCE OF GAME PLAN, INC. GAMES.

ALL MOTORS IN NEW GAME PLAN GAMES CARRY A 6 MONTH WARRANTY FROM THE DATE OF PURCHASE OF THE MACHINE. ANY DEFECTIVE MOTOR WILL BE REPLACED FREE OF CHARGE BY YOUR GAME PLAN DISTRIBUTOR.

ALL P.C. BOARDS CARRY A 90 DAY WARRANTY. ANY DEFECTIVE P.C. BOARD WILL BE REPAIRED FREE OF CHARGE.

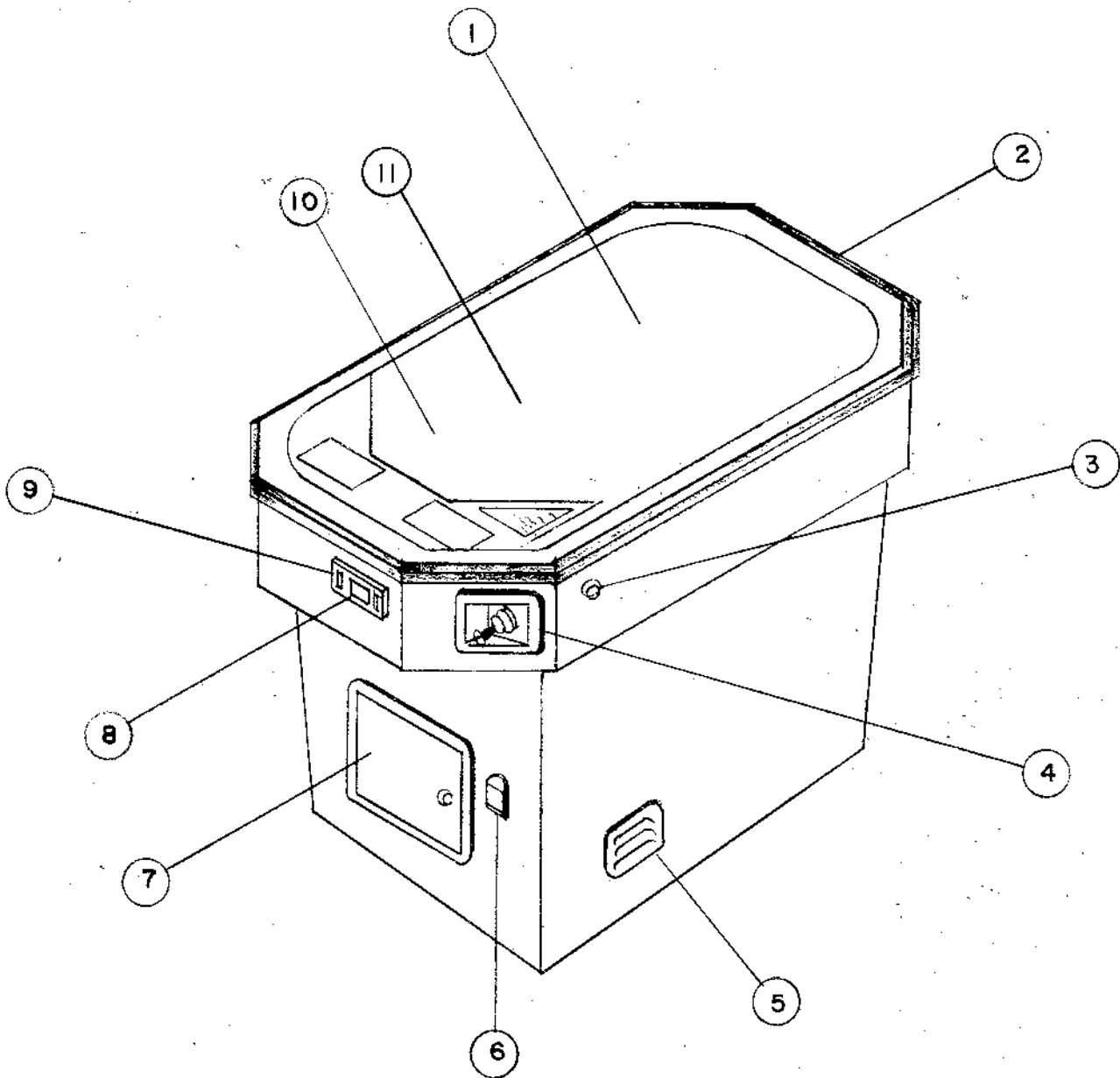
WHEN ORDERING PARTS, ALWAYS SPECIFY THE NAME OF THE UNIT, PART NUMBERS, AND A DESCRIPTION OF THE PART AS SHOWN IN THIS CATALOG.

GAME PLAN, INC.

## INDEX

	<u>PAGE</u>
INTRODUCTION-----	1
INDEX-----	2
COMPLETE CABINET-----	3
COIN ACCEPTOR & CHUTE ASS'Y-----	4
BALL KICKER ASS'Y-----	5
PLAYFIELD TOP-----	6
PLAYFIELD TOP PART NUMBERS-----	7
PLAYFIELD BOTTOM-----	8
PLAYFIELD BOTTOM PART NUMBERS-----	9
DROP TARGET ASS'Y-----	10
TILT BLOCK ASS'Y-----	11
FLIPPER BUTTON & ROLLOVER BUTTON ASS'Y-----	12
KNOCKER ASS'Y-----	13
BALL KICKOUT ASS'Y-----	14
BLOWER ASS'Y-----	15
BALL SHOOTER ASS'Y-----	16
POWER SUPPLY ASS'Y-----	17
LEFT & RIGHT FLIPPER ASS'Y-----	18
SLING SHOT ASS'Y-----	19
POWER BUMPER ASS'Y-----	20
POWER BUMPER ASS'Y PART NUMBERS-----	21
LDU-1 LAMP DRIVER ASS'Y-----	22
LDU-1 LAMP DRIVER PART NUMBERS-----	23
SDU-1 SOLENOID DRIVER-----	24
SDU-1 SOLENOID DRIVER PART NUMBERS-----	25
MPU-1 MICRO PROCESSOR UNIT-----	26
MPU-1 MICRO PROCESSOR UNIT PART NUMBERS-----	27
DDU-1 DUAL DISPLAY UNIT-----	28
SOUND SIMULATOR UNIT-----	INSIDE BACK COVER

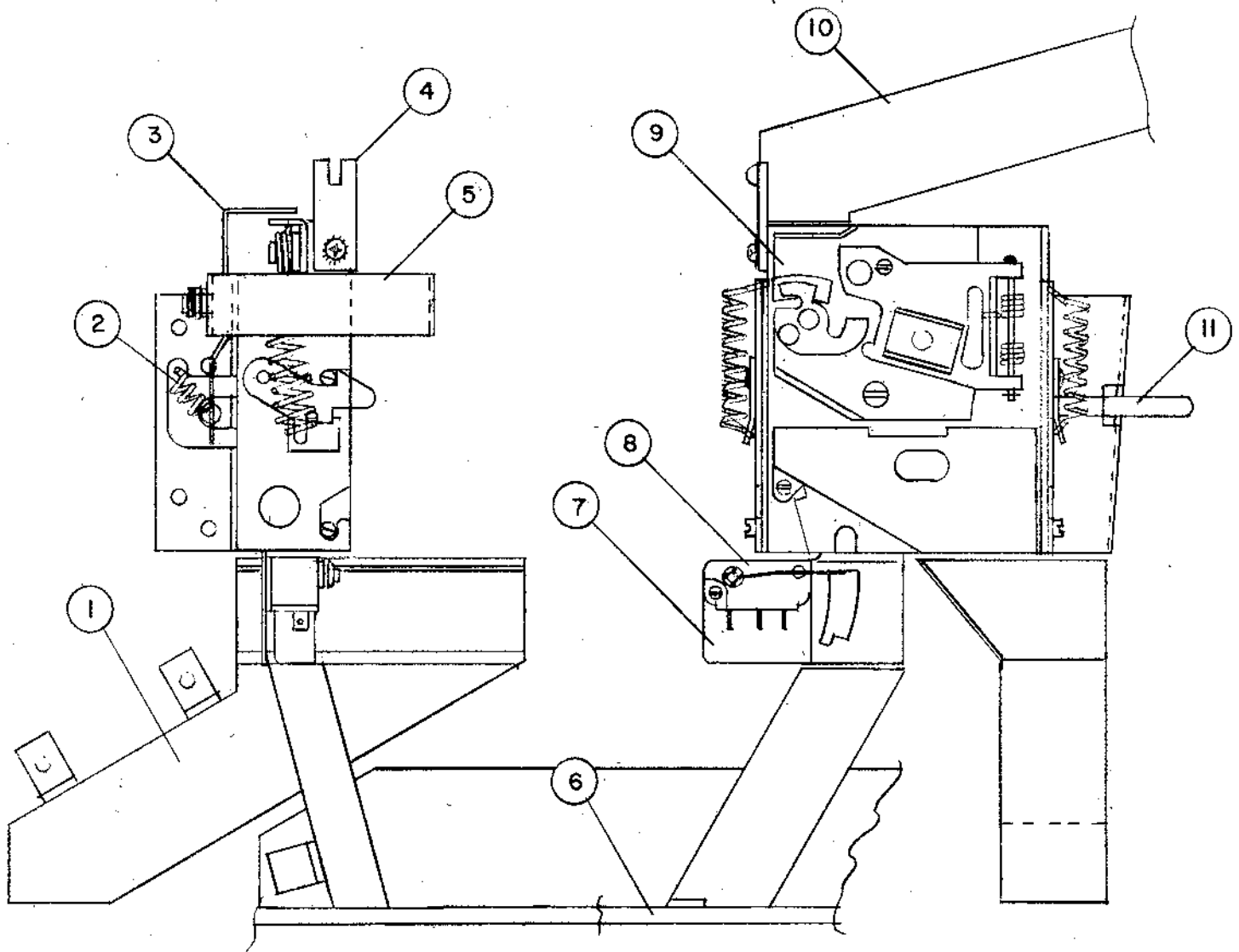
# COMPLETE CABINET



<u>ITEM</u>	<u>PART NO.</u>	<u>DESCRIPTION</u>
1	08-10001D	TOP GLASS
2	03-20001D	TOP GLASS MOULDING
3		FLIPPER BUTTON ASSEM.
4	10-10011A	SHOOTER ASSEM.
5	04-00021	LOUVER PLATE
6	03-00003N	COIN RETURN CUP
7	10-00028N	DOOR & FRAME ASSEM.
8	08-20002A	COIN DENOMINATOR
9	03-00002C	COIN ENTRY CASTING
10	10-20001	PLAYFIELD ASSEM.
11	10-20002N	COMPLETE TOP GLASS ASSEM.

COIN ACCEPTOR & CHUTE ASSEM.

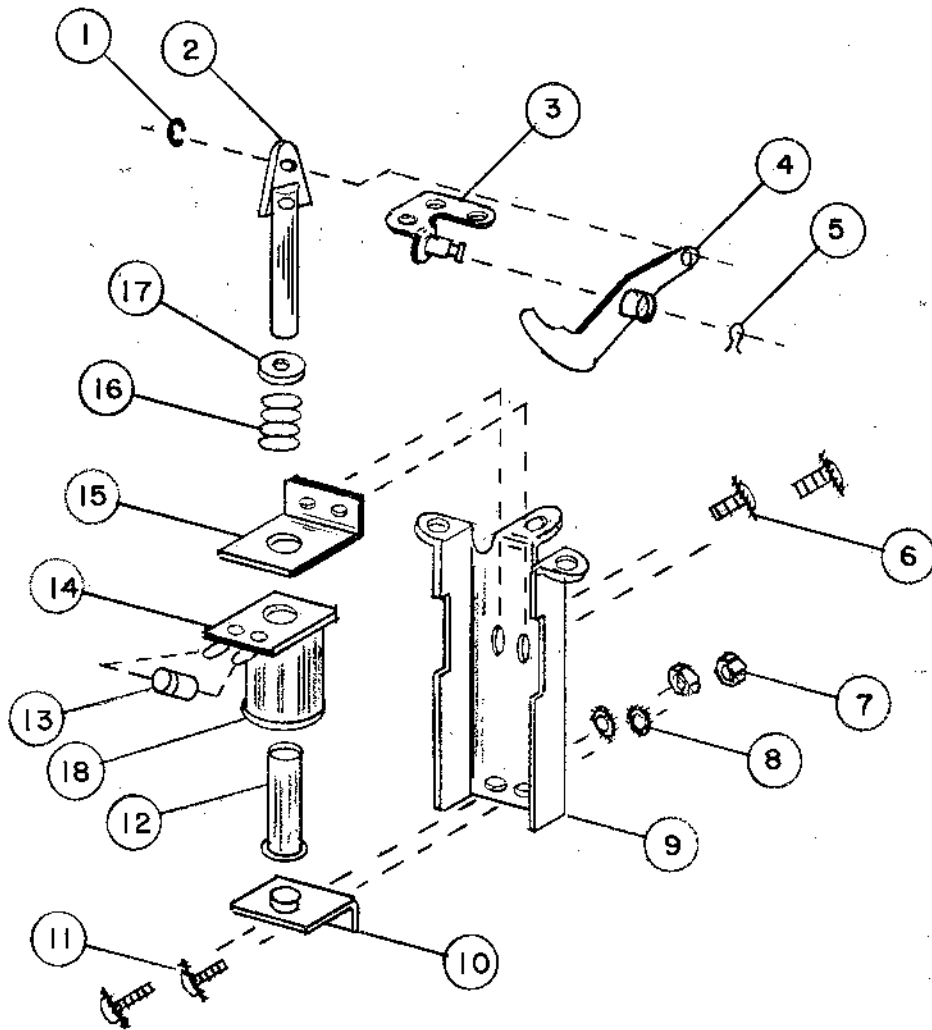
10-10052A



<u>ITEM</u>	<u>PART NO.</u>	<u>DESCRIPTION</u>
1	10-00021C	COIN REJECT CHUTE
2	06-20003A	REJECT ARM SPRING
3	04-00051A	REJECT ARM
4	04-00035A	CHUTE ALIGNMENT BRK'T.
5	04-00050A	REJECT ARM EXTENSION
6	10-00036C	COIN CHUTE & MTG. BRK'T ASSEM.
7	14-00003N	COIN GUIDE BRK'T.
8	14-00004N	25 CENT COIN SW. ASSEM. (SPECIFY COIN)
9	14-30001N	25 CENT COIN ACCEPTOR
10	10-00019B	COIN TRACK
11	05-40004A	REJECT ROD

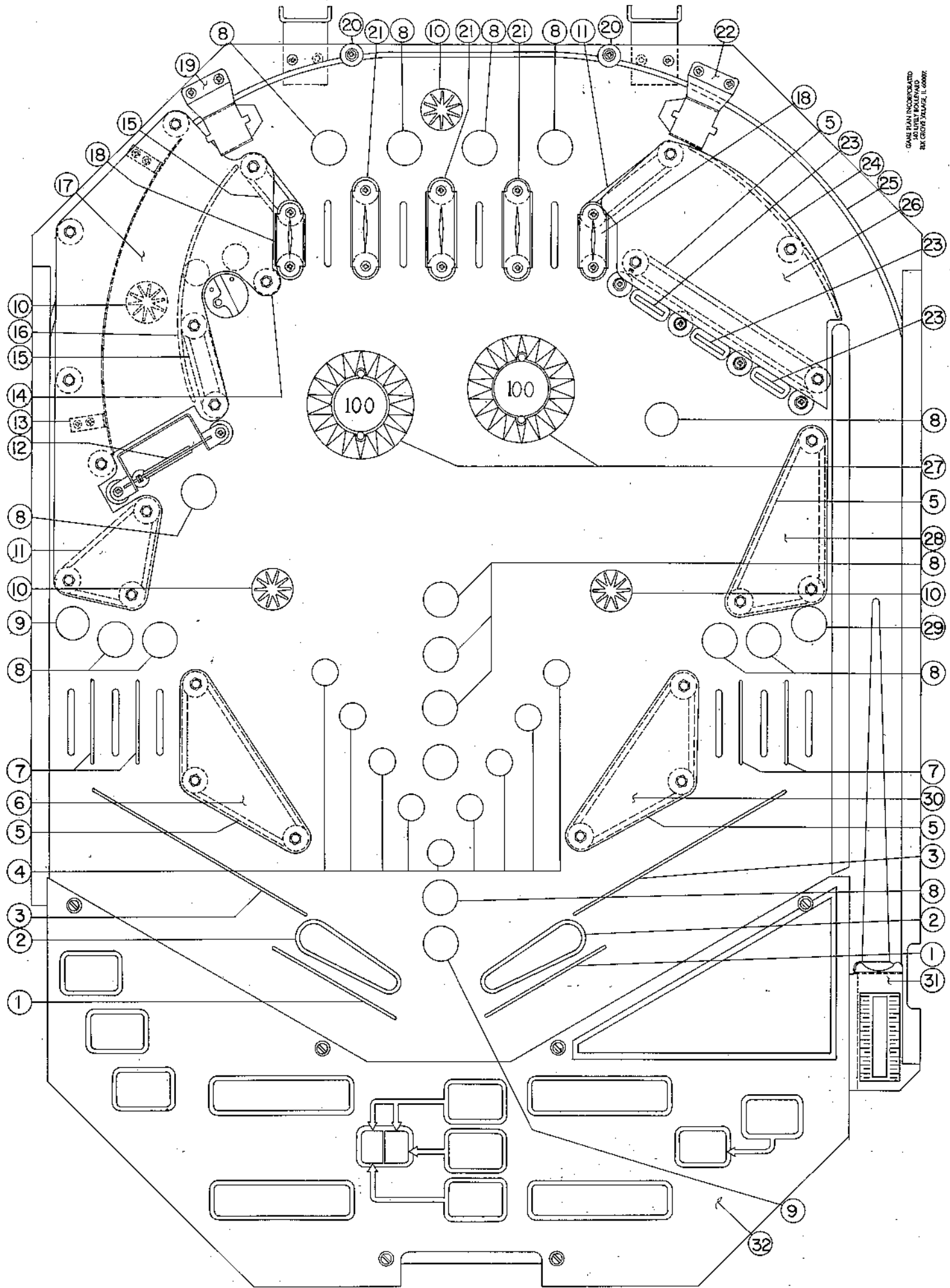
BALL KICKER ASSEM.

10-10010B



<u>ITEM</u>	<u>PART NO.</u>	<u>DESCRIPTION</u>	<u>ITEM</u>	<u>PART NO.</u>	<u>DESCRIPTION</u>
1	17-10003A	"E" RING	11	11-40004N	6/32X 3/8 P.R.H.M.S.SEMS
2	10-10001A	PLUNGER-LINK ASSEM.	12	03-40008N	SOLENOID TUBE
3	10-00005A	ARM MTG. BRK'T.	13	25-00001N	1N4004 DIODE
4	10-00007A	STUD-HUB	14	21-50004B	SOLENOID
5	17-20001A	SPRING CLIP	15	04-00008A	COIL SUPPORT BRK'T.
6	11-40003N	6/32X1/4 P.R.H.M.S.SEMS	16	06-30004A	SPRING
7	12-00002N	6/32 HEX HD. NUT	17	13-00003A	STEEL WASHER
8	13-10002N	NO.6 EXT. T. LOCKWASHER	18	10-10043N	SOLENOID ASSEM. INC.
9	04-00026B	COIL MTG. BRK'T.			ITEMS 12-13-14
10	10-00009A	PLUNGER STOP BRK'T.			

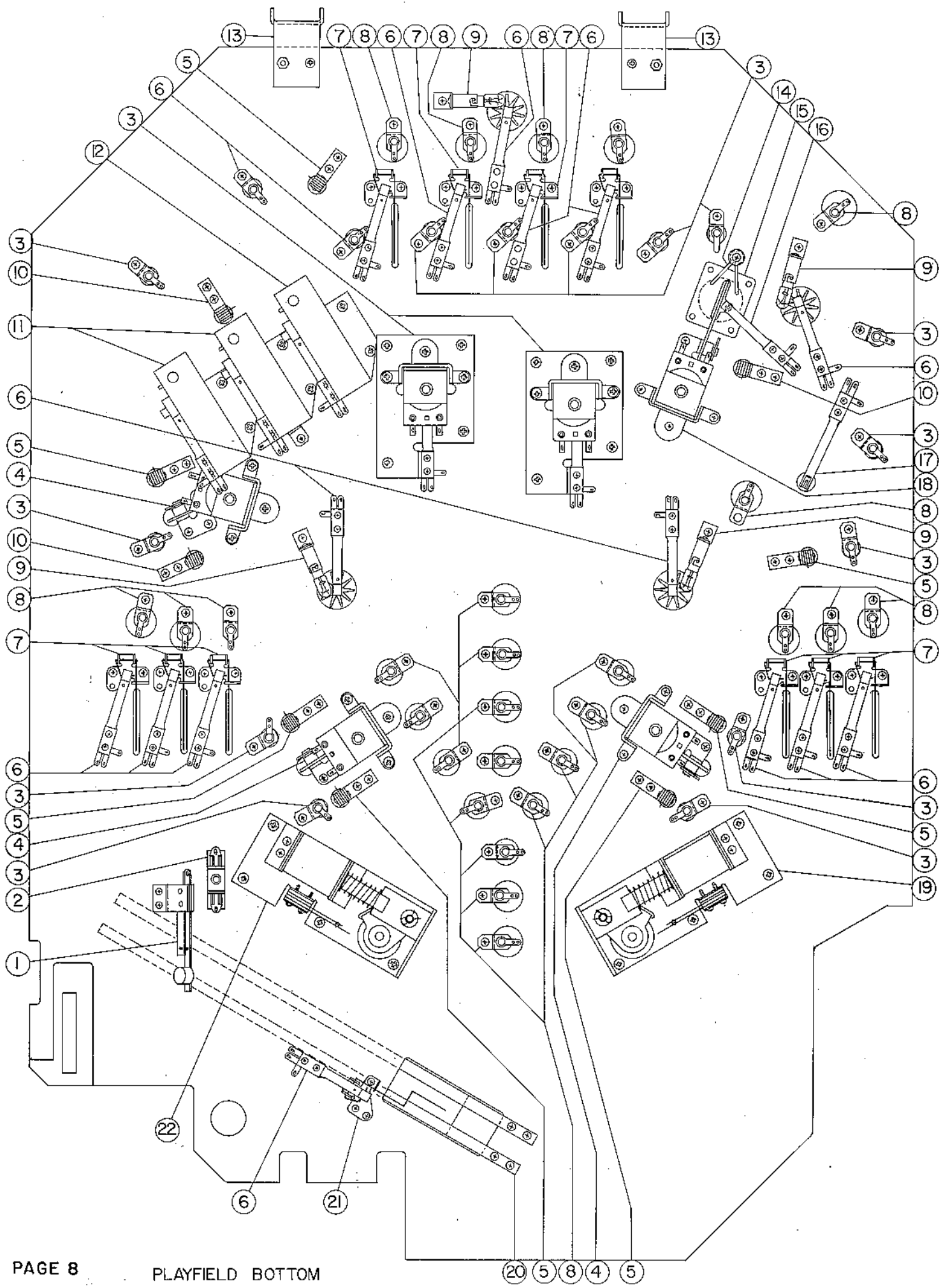
© 1964 BALLY MANUFACTURING CO.  
BOSTON, MASS. U.S.A.



PLAYFIELD TOP

<u>ITEM</u>	<u>PART NO.</u>	<u>DESCRIPTION</u>
1	06-00010A	BALL GUIDE WIRE
2	08-30001N	FLIPPER RUBBER 1½-YELLOW
3	06-00018A	BALL GUIDE WIRE
4	03-40018N	3/4 INSERT WHITE
5	08-30013N	RUBBER RING - 3" - WHITE
6	08-00029A	LOWER LEFT OVERLAY
7	06-00022A	BALL GUIDE WIRE
8	03-40020N	1" INSERT - WHITE
9	03-40022N	1" INSERT - YELLOW
10	03-40031N	STAR ROLL OVER BASE
	03-40032N	STAR ROLL OVER BOTTOM
11	08-30012N	RUBBER RING-2"-WHITE
12	10-10015A	SPINNER TARGET ASS'Y
13	10-00038B	BALL RUN ASS'Y
14	08-30004N	RUBBER RING-5/16"-WHITE
15	08-30006N	RUBBER RING-1 1/4"-WHITE
16	06-00020A	BALL GUIDE WIRE
17	08-00025C	UPPER LEFT OVERLAY
18	03-40017N	GUIDE RAIL-RED
19	10-00004A	BALL REBOUND ASS'Y
20	03-40033N	POST-RED
21	03-40034N	GUIDE RAIL-RED
22	10-00003A	BALL GATE ASS'Y
23	10-10051B	DROP TARGET ASS'Y
24	06-00019A	BALL GUIDE WIRE
25	06-00014A	BALL GUIDE WIRE
26	08-00026B	TOP RIGHT OVERLAY
27	03-40029A	SUNBURST CAP "100"
28	08-00027A	CENTER RIGHT OVERLAY
29	03-40021N	1" INSERT-RED
30	08-00028A	LOWER RIGHT OVERLAY
31	04-00025B	SHOOTER INDICATOR
32	10-10020A	SCORE PANEL ASS'Y

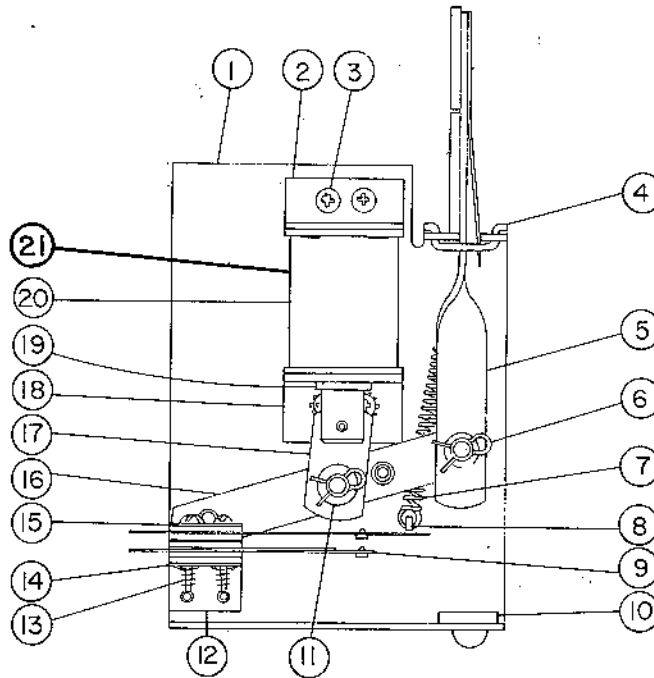




PLAYFIELD BOTTOM

<u>ITEM</u>	<u>PART NO.</u>	<u>DISCRIPTION</u>
1	10-00026A	TILT SWITCH ASS'Y
2	30-10002N	1 WAY FUSE HOLDER
3	29-60003N	MINIATURE BAYONET SOCKET
4	10-10009B	SLING SHOT ASS'Y SEE PAGE 19
5	10-00023A	PLAYFIELD SWITCH&BRKT. ASS'Y
6	22-0007A	ROLL OVER PLAYFIELD SWITCH
7	10-10016A	ROLL OVER WIRE FORM ASS'Y
8	29-60002N	MINIATURE LAMP SOCKET
9	29-60004N	MINIATURE LAMP SOCKET
10	10-00062A	PLAYFIELD SWITCH&BRKT ASS'Y
11	10-10051B	DROP TARGET ASS'Y SEE PAGE 10
12	10-10004B	POWER BUMPER ASS'Y SEE PAGE 20
13	04-00040A	PLAYFIELD HINGE BRACKET
14	03-40024A	KICKER HOLE COVER
15	06-00001A	KICKER HOLE WIRE FORM
16	22-00005A	KICKER HOLE SWITCH
17	22-00006N	SPINNER SWITCH
18	10-10010B	BALL KICKER ASS'Y SEE PAGE 5
19	10-10005B	LEFT FLIPPER ASS'Y SEE PAGE 18
20	10-00018B	RUNWAY BALL GUIDE ASS'Y
21	10-10017A	BALL EJECTOR WIRE FORM ASS'Y
22	10-10006B	RIGHT FLIPPER ASS'Y SEE PAGE 18

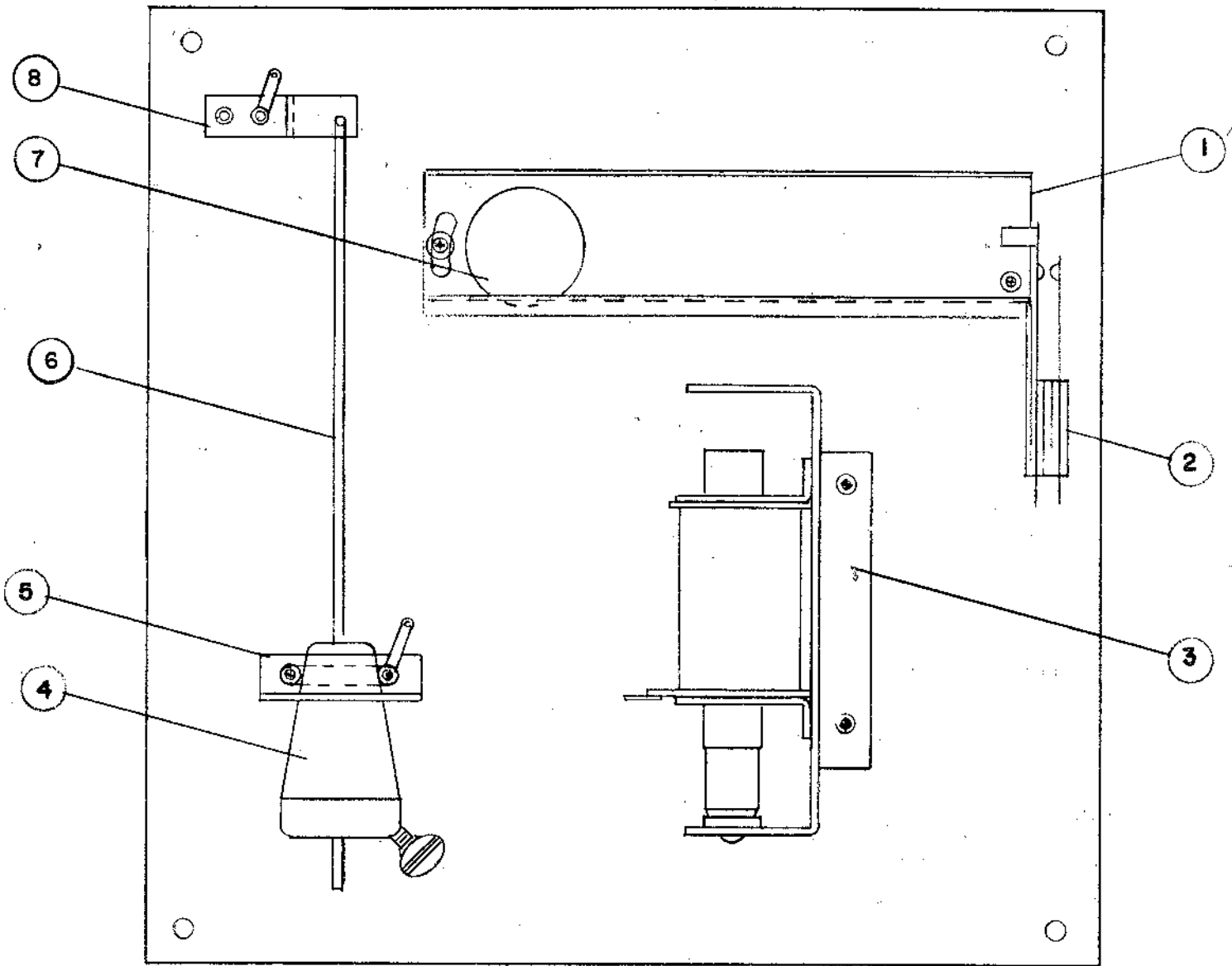
**DROP TARGET ASSEMBLY**  
**10-10051B**



ITEM	PART NO.	DESCRIPTION
1	10-00043A	FRAME & STUD ASSEMBLY
2	10-00009A	PLUNGER STOP ASSEMBLY
3	11-40003N	6-32X1/4 P. R. H. M. S. EXT. TOOTH SEMS
4	06-00021A	ARM RETAINING WIRE
5	10-00042A	DROP TARGET ARM COMPLETE
6	17-20001A	SPRING CLIP
7	06-20004A	DROP TARGET ARM SPRING
8	17-40002N	COTTER PIN .062X5/8
9	22-00016A	DROP TARGET SWITCH
10	08-30003A	RUBBER BUMPER
11	13-00001A	BRASS WASHER
12	04-00093A	SWITCH BRACKET
13	11-10004N	4X3X4 S. R. H. S. M. S. TYPE "B"
14	12-20002N	NO.4 2 WAY SPEED NUT
15	17-90001N	TENSION PLATE
16	10-00040A	DROP TARGET ASSEMBLY
17	10-00044A	DROP TARGET PLUNGER ASSEMBLY
18	04-00008A	COIL SUPPORT BRACKET
19	03-40008N	SOLENOID TUBE
20	21-50001B	SOLENOID
21	10-10046N	SOLENOID ASSY. WITH DIODE INCLUDES ITEMS 19-20

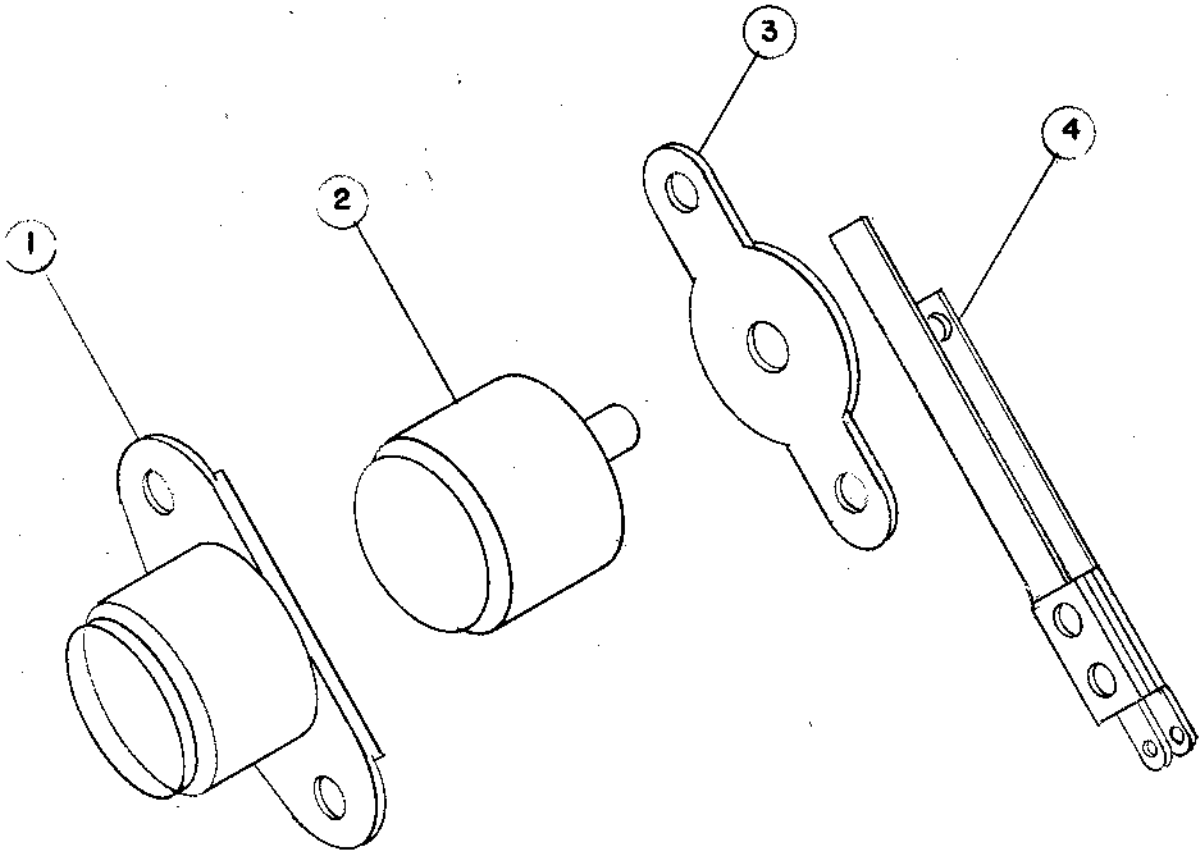
TILT BLOCK ASSEM.

10-10014A



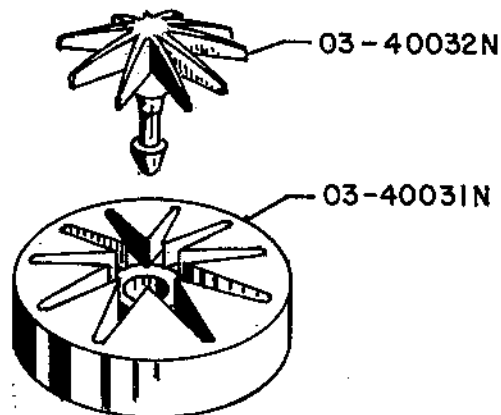
<u>ITEM</u>	<u>PART NO.</u>	<u>DESCRIPTION</u>
1	04-00027B	ROLL TILT CAGE
2	22-00003N	SWITCH
3	10-10013B	KNOCKER ASSEM.
4	03-10001A	TILT PLUMB BOB
5	04-40001A	TILT CONTACT PLATE
6	06-00002A	TILT PLUMB BOB WIRE
7	07-40001N	STEEL BALL
8	04-40002A	TILT PLUMB BOB HANGER

## FLIPPER BUTTON



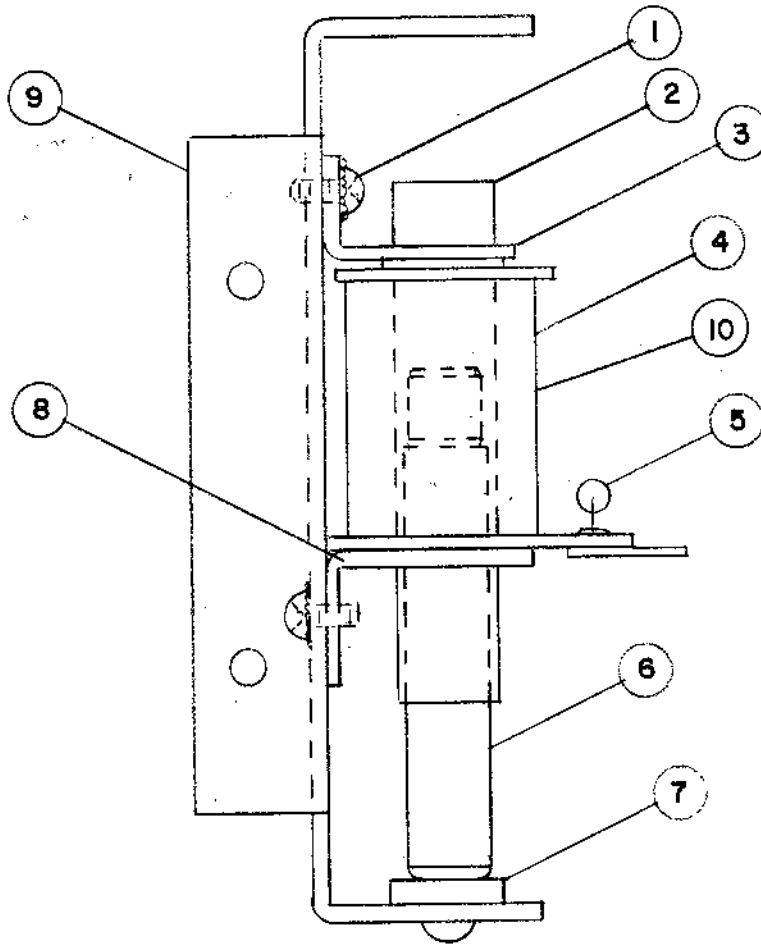
<u>ITEM</u>	<u>PART NO.</u>	<u>DESCRIPTION</u>	
1	03-40014N	FLIPPER BUTTON HOUSING	} 10-10044
2	03-40013N	FLIPPER BUTTON	
3	04-00019A	FLIPPER BUTTON PLATE	
4	22-00009N	FLIPPER SWITCH	

## ROLLOVER BUTTON



KNOCKER ASSEM.

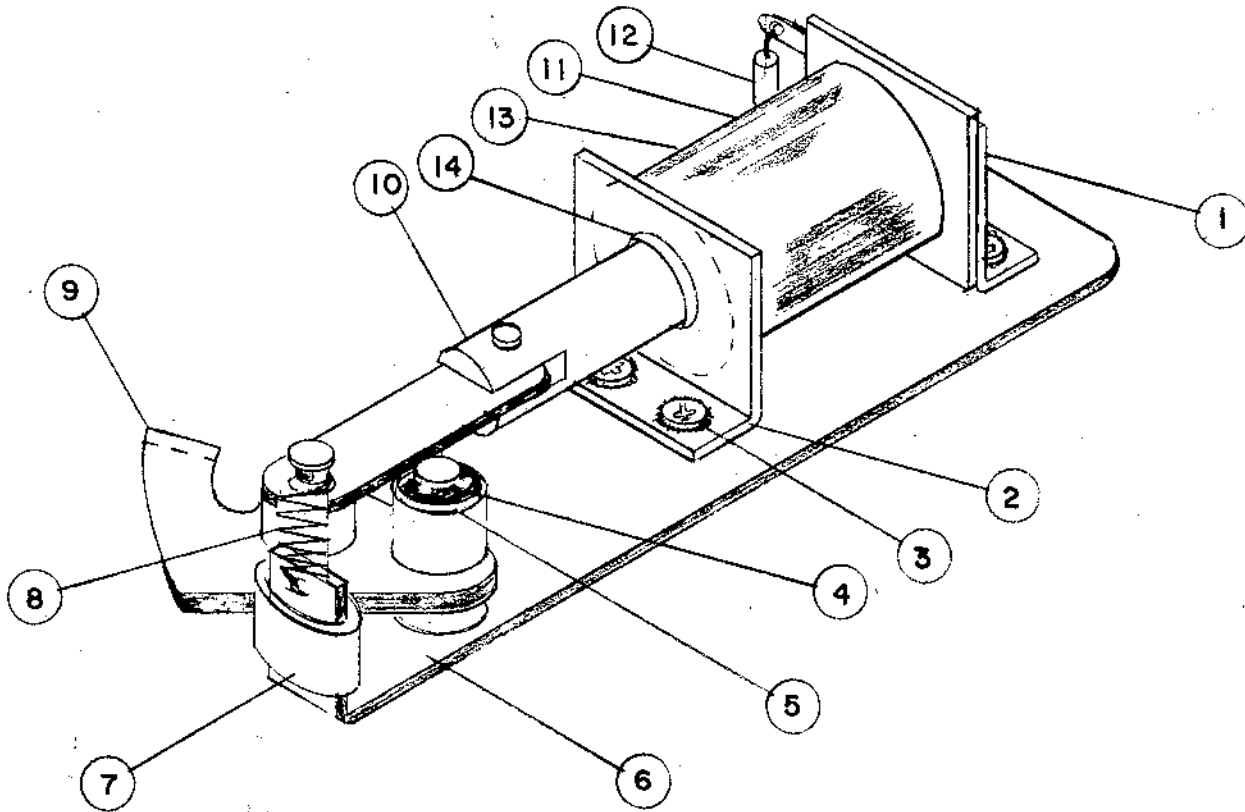
10-10013B



<u>ITEM</u>	<u>PART NO.</u>	<u>DESCRIPTION</u>
1	11-40004N	6-32 X 3-8 R.P.H. SEMS
2	03-40012N	SOLENOID TUBE
3	04-00052A	FRONT COIL STOP
4	21-50003B	SOLENOID
5	25-00001N	1N4004 DIODE
6	10-00013A	PLUNGER ASSEM.
7	08-30003A	RUBBER BUMPER
8	04-00008A	COIL SUPPORT BRK'T
9	04-00028B	KNOCKER COIL MTG. BRK'T
10	10-10041N	SOLENOID ASSEM. INCLUDES ITEMS 2, 4, 5

BALL KICKOUT ASSEM.

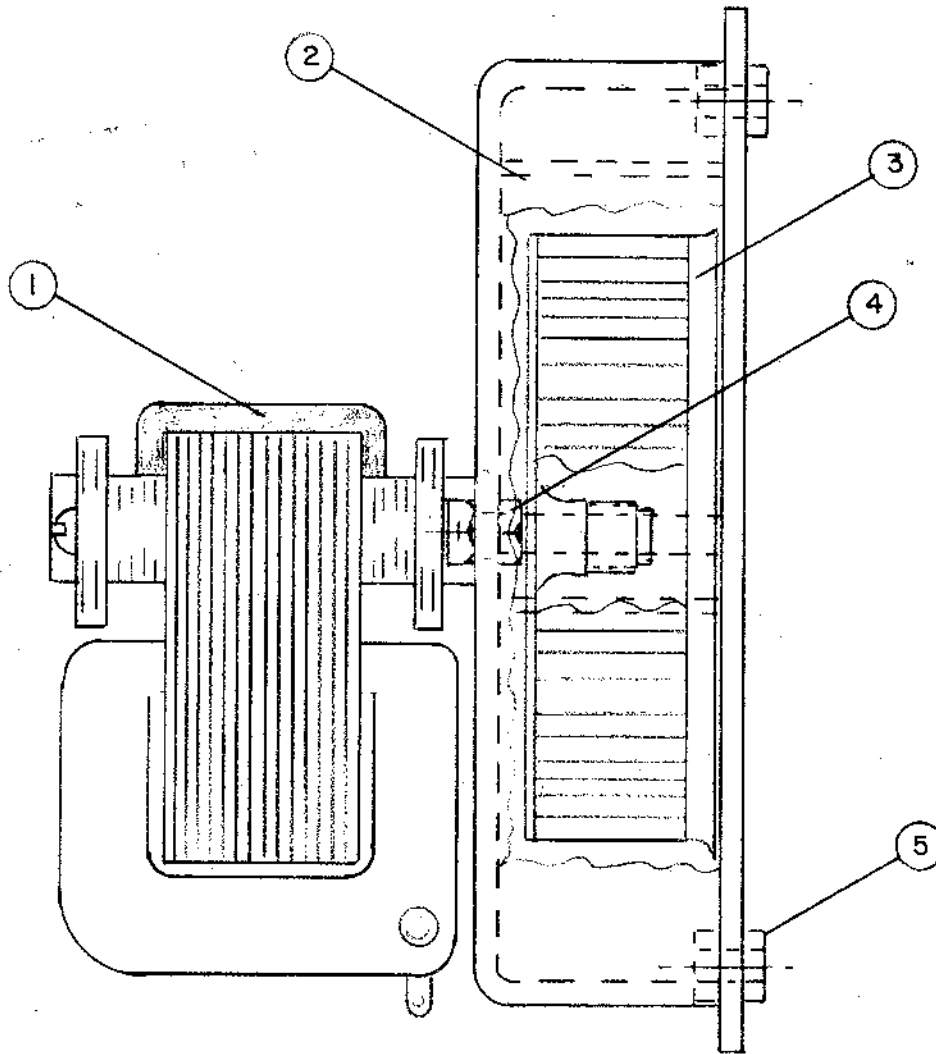
10-10007B



<u>ITEM</u>	<u>PART NO.</u>	<u>DESCRIPTION</u>
1	10-00009A	PLUNGER STOP ASSEM.
2	04-00052A	FRONT COIL STOP
3	11-40003N	6-32 X 1-4 P.R.H.M.S. SEMS
4	17-10001A	"E" RING
5	13-00001A	BRASS WASHER
6	10-00001A	MTG. PLATE ASSEM.
7	32-10001A	BALL KICKOUT BUMPER
8	06-20002A	SPRING
9	10-00002A	CAM ARM ASSEM.
10	10-10008A	KICKOUT PLUNGER ASSEM.
11	21-50003B	SOLENOID
12	25-00001N	IN4004 DIODE
13	10-10045N	SOLENOID ASSEM. INCLUDES ITEMS 11,12,14
14	03-40008A	SOLENOID TUBE

BLOWER ASSEM.

10-10023B

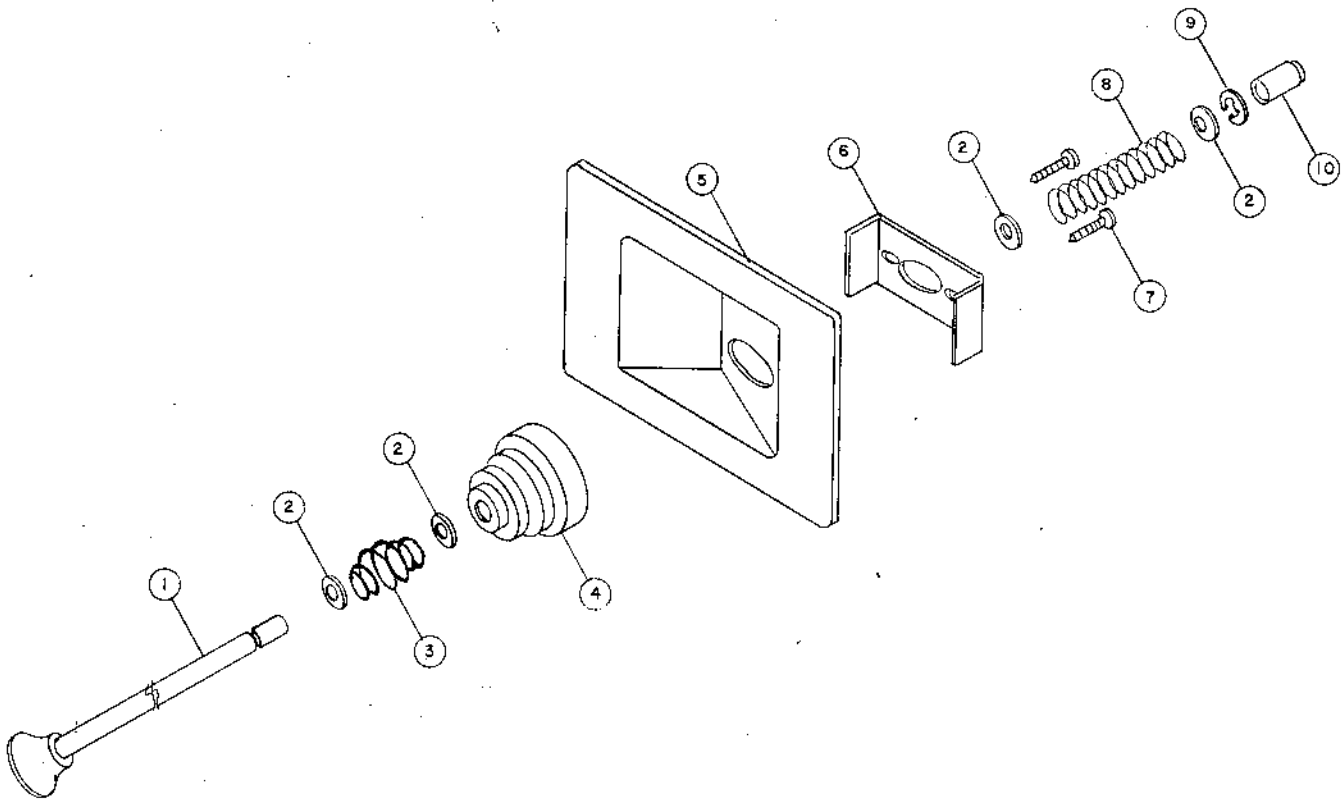


<u>ITEM</u>	<u>PART NO.</u>	<u>DESCRIPTION</u>
1	21-10002N	BLOWER MOTOR
2	03-30001C	" HOUSING
3	03-40025N	" WHEEL
4	12-00002N	6/32 HEX HEAD NUT
5	08-30011A	BLOWER GROMMET



**BALL SHOOTER ASSEM.**

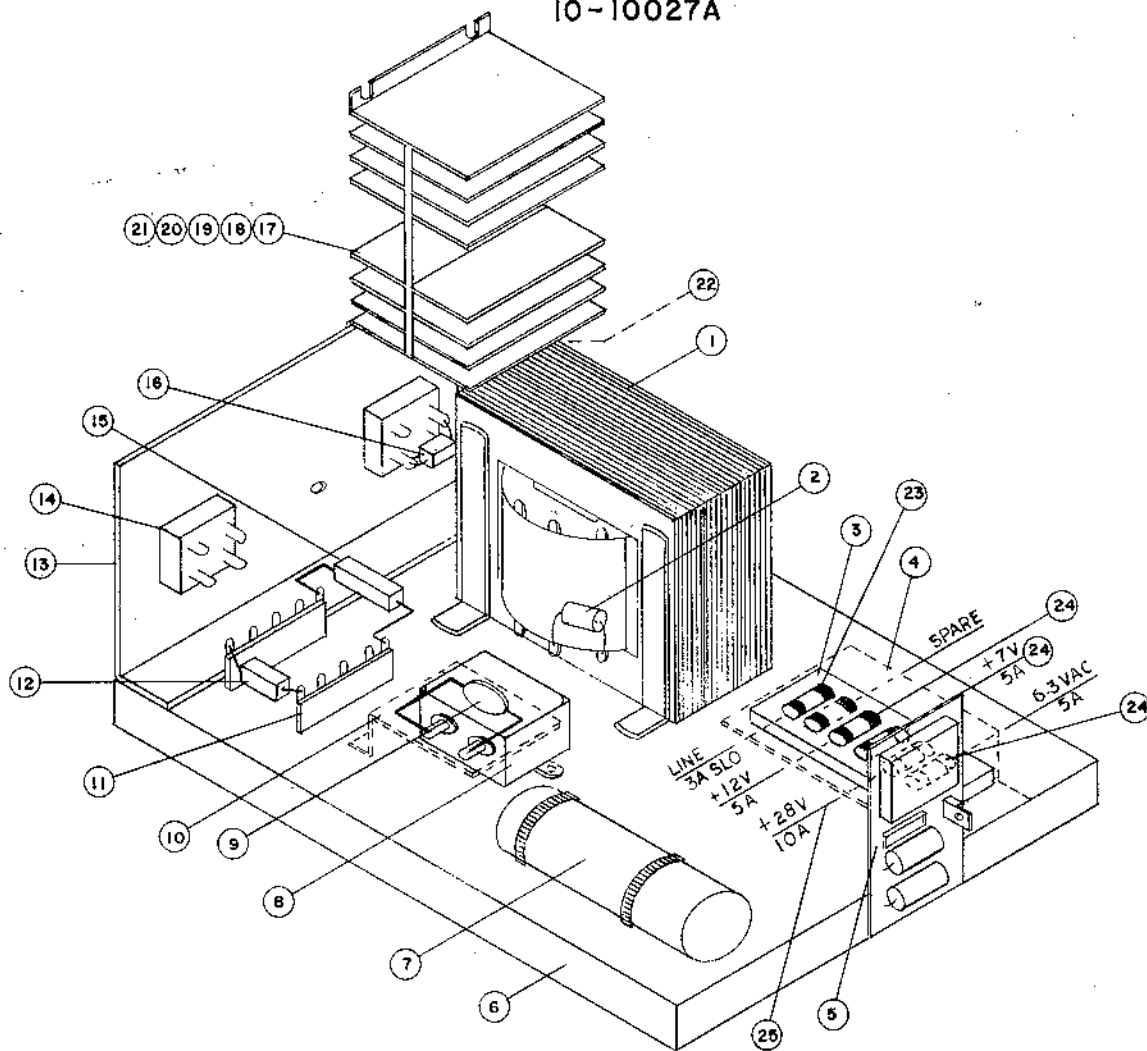
10-10011A



<u>ITEM</u>	<u>PART NO.</u>	<u>DESCRIPTION</u>
1	10-00015A	SHOOTER KNOB-SHAFT ASSEM.
2	13-00004A	STEEL WASHER
3	06-30002A	BARREL SPRING
4	03-40010N	BALL SHOOTER HOUSING
5	03-00001C	SHOOTER CASTING
6	04-00036A	SHOOTER HOLD DOWN BRK'T
7	11-10003N	NO.8X1 1/4 P.R.HD.S.M.S. TYPE "A"
8	06-30003A	SHOOTER SPRING
9	17-10002A	"E" RING
10	08-30002N	WHITE SHOOTER TIP

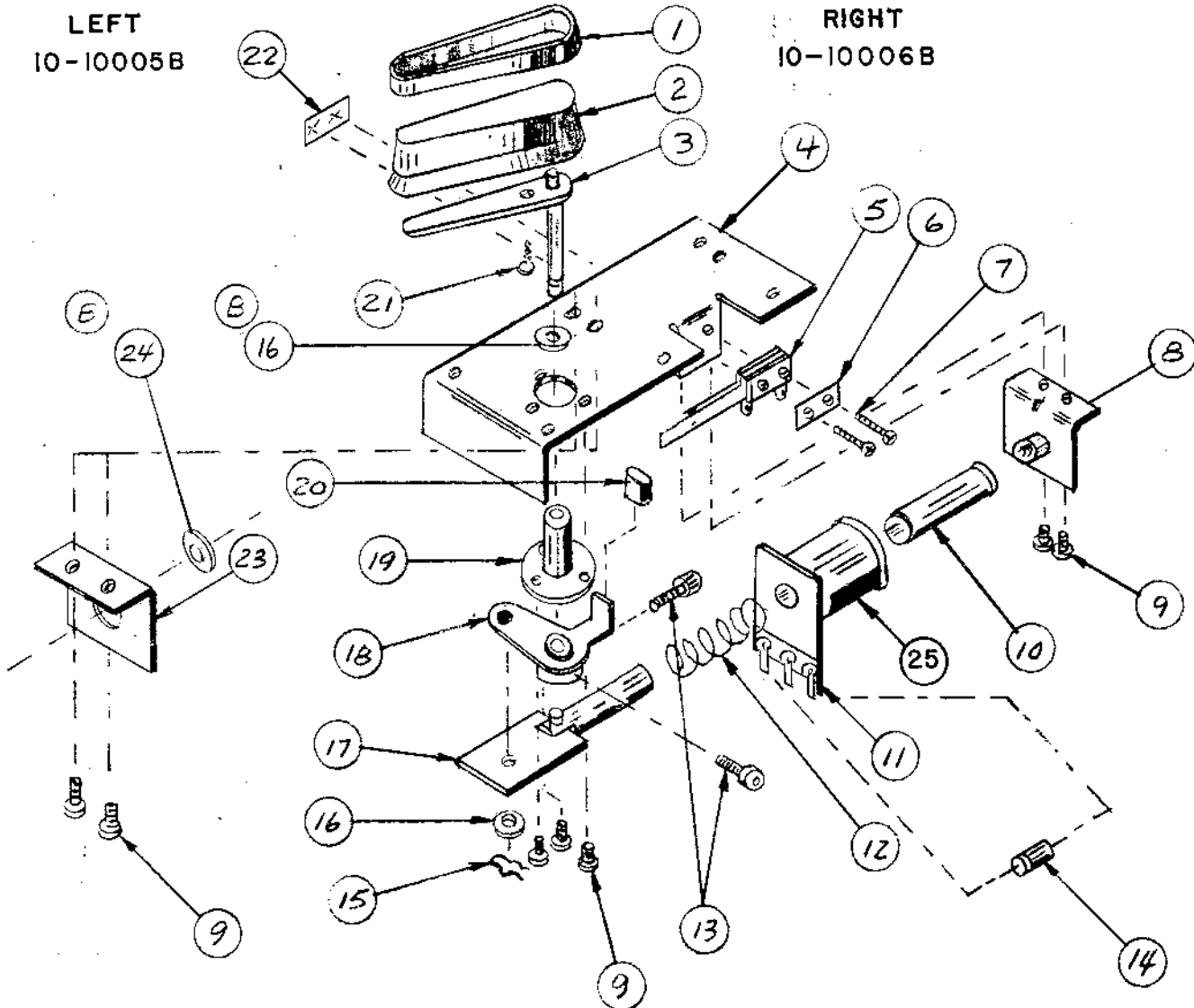
**POWER SUPPLY ASSEM.**

10-10027A



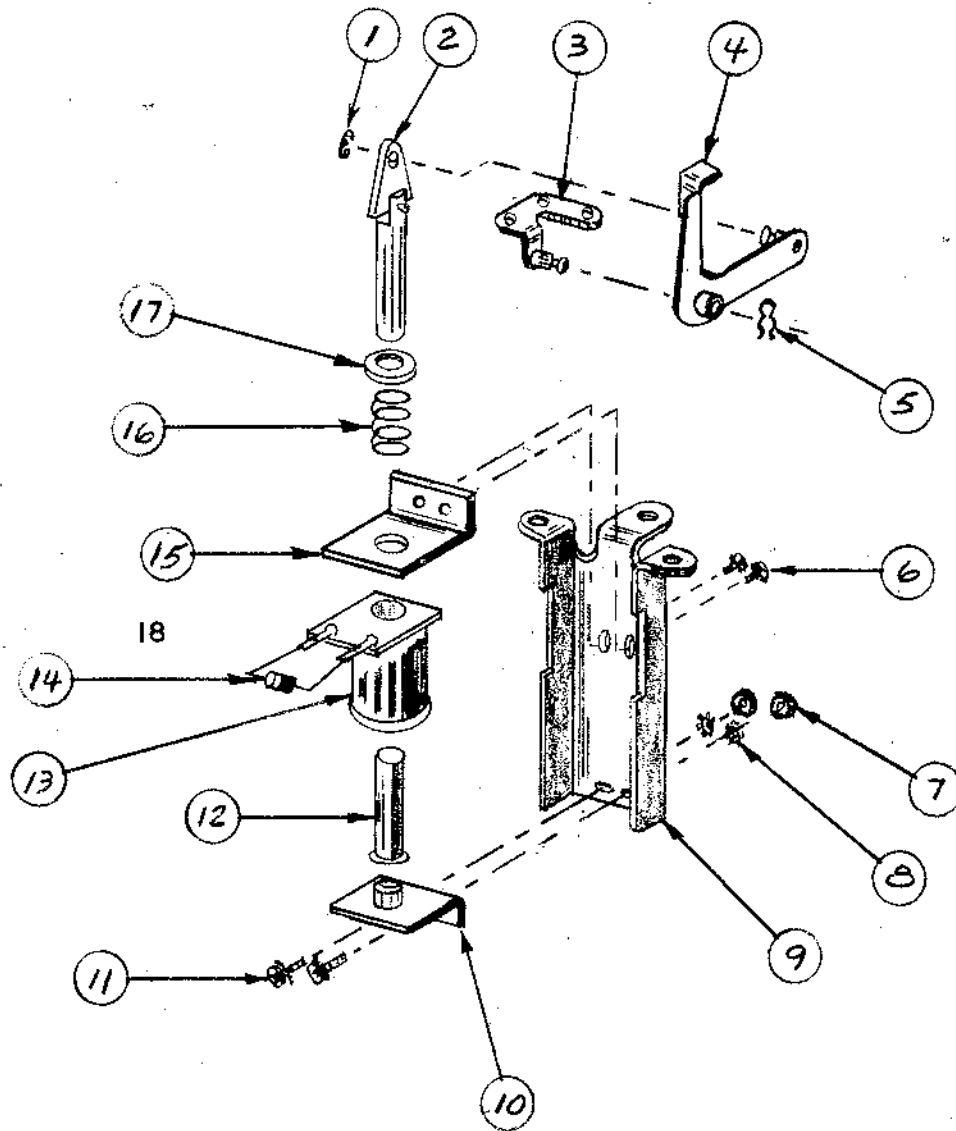
ITEM	PART NO.	DESCRIPTION	ITEM	PART NO.	DESCRIPTION
1	21-30001N	POWER TRANSFORMER	14	25-00003N	25 AMP 200P.V. BRIDGE
2	24-20002N	1mf 200V MYLAR CAP	15	23-50001N	5 OHM 10W RESISTOR
3	30-10001N	6 WAY FUSE HOLDER	16	23-40002N	700 OHM 5W RESISTOR
4	08-60003A	FUSE BLOCK COVER	17	32-00001A	HEAT SINK
5	20-10007N	VOLTAGE CONVERTOR	18	26-50001N	VOLTAGE REGULATOR
6	01-90001A	POWER SUPPLY BOARD	19	26-50002N	OVER VOLTAGE PROTECTOR
7	24-10005N	11000mf 25V LYTIC	20	24-30002N	10mf 16V TANTALUM CAP
8	21-70001N	FILTER	21	25-00001N	1N 4004 DIODE
9	25-90001N	130 VAC VARISTOR	22	23-20002N	100 OHM 1W RESISTOR
10	08-60004A	FILTER COVER	23	30-00003N	3A.125V SLOW BLOW FUSE
11	29-30001N	5 POS. TERMINAL STRIP	24	30-00002N	5A.125V 3AG FUSE
12	23-40001N	.47 OHM 5W RESISTOR	25	30-00004N	10A.125V 3AG FUSE
13	04-20001A	BRIDGE MTG. BRK'T			

LEFT-RIGHT FLIPPER ASSEM.



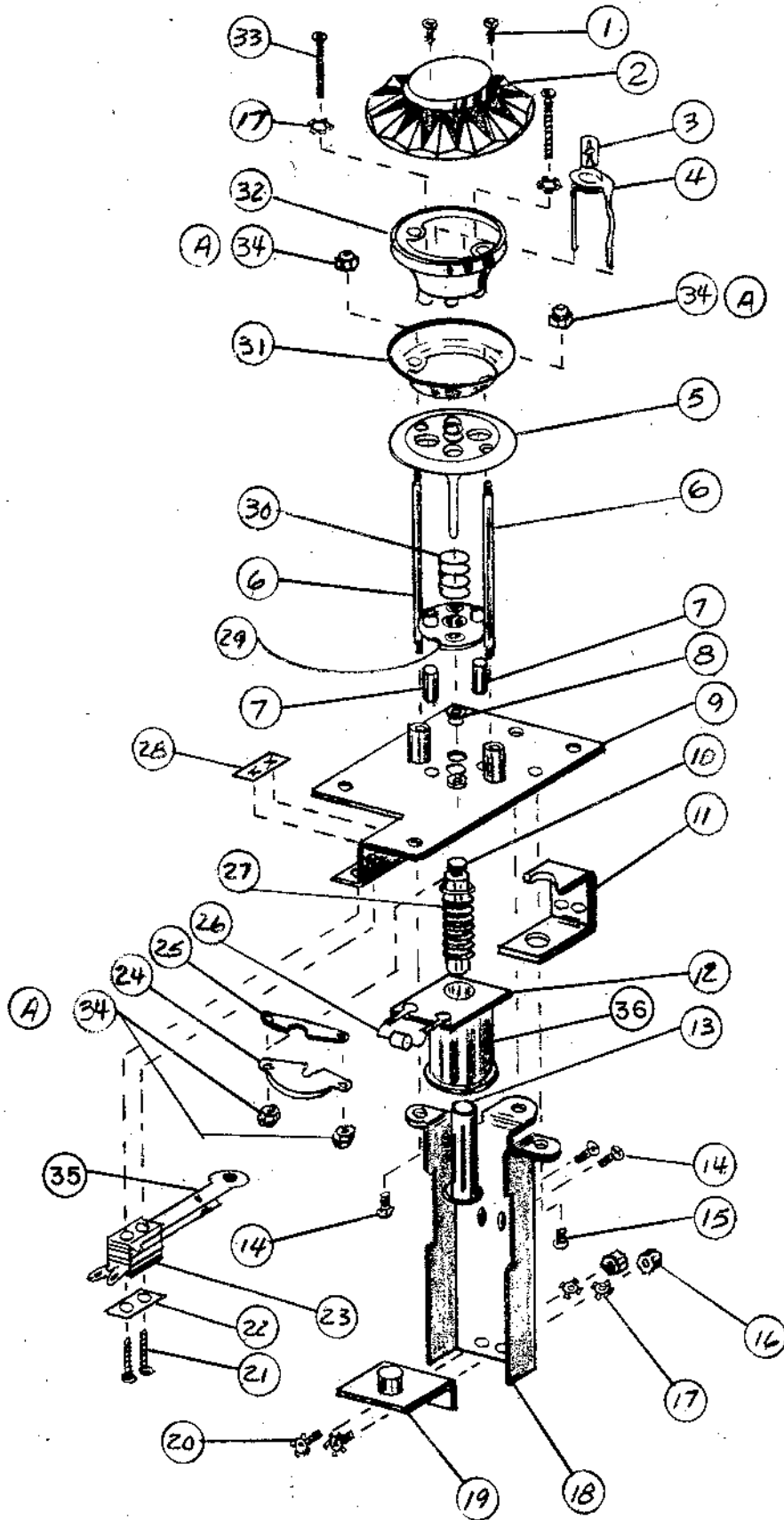
ITEM	PART NO.	DESCRIPTION	ITEM	PART NO.	DESCRIPTION
1	08-30001N	FLIPPER RUBBER	13	11-20001N	10/32 SOC.HD.SET SCREW
2	03-40009N	FLIPPER	14	25-00001N	1N4004 DIODE
3	10-00010A	FLIPPER SHOE ASS'Y	15	17-20001A	SPRING CLIP
* 4	04-00030C	LEFT FLIPPER MTG. PL.	16	13-00001A	BRASS WASHER
5	22-00002N	FLIPPER BREAK SW.	17	10-10002A	FLIPPER PLUNGER ASS'Y
6	17-90001N	TENSION PLATE	18	10-00011A	LEFT FLIPPER ARM ASS'Y
7	11-10019N	N0.4X5/8S.R.H.S.M.S.TYPE'B'	"	10-00012A	RIGHT " " "
8	10-00009A	PLUNGER STOP ASS'Y	19	03-40001A	FLIPPER BUSHING
9	11-40003N	6/32X1/4PR.H.M.S.SEMS	20	32-10002A	INSULATOR
10	03-40008N	SOLENOID TUBE	21	11-10002N	6/32X1/2 P. TRUSS HD.
11	21-50002B	SOLENOID	22	12-20002N	SPEED NUT
12	06-30004A	PLUNGER RETURN SP.	23	04-00052A	FRONT COIL STOP
* 13	04-00031C	RIGHT FLIPPER PLATE	24	13-00009N	CURVED SPRING WASHER
25	10-10040N	SOLENOID ASS'Y. WITH DIODE PLUS ITEMS 10-11			

SLING SHOT ASSEM.  
10-1009B



ITEM	PART NO.	DESCRIPTION	ITEM	PART NO.	DESCRIPTION
1	17-10003A	"E" RING	10	10-00009A	PLUNGER STOP BRK'T
2	10-10001A	PLUNGER-LINK ASS'Y	11	11-40004N	6/32X3/8 P.R.HD. SEMS
3	10-00005A	ARM MTG. BRK'T ASS'Y	12	03-40008N	SOLENOID TUBE
4	10-00006A	SLING SHOT ARM ASS'Y	13	21-50003B	SOLENOID
5	17-20001A	SPRING CLIP	14	25-00001N	IN 4004 DIODE
6	11-40003N	6/32X1/4 P.R.HD. SEMS	15	04-00008A	COIL SUPPORT BRK'T
7	12-00002N	6/32 HEX NUT	16	06-30004A	PLUNGER RETURN SPRING
8	13-10002N	NO.6 EXT. T. LOCKWASHER	17	13-00003A	STEEL WASHER
9	04-00026B	COIL MTG. BRK'T	18	10-10039N	SOLENOID ASS'Y. INCL. ITEMS 12-13-14

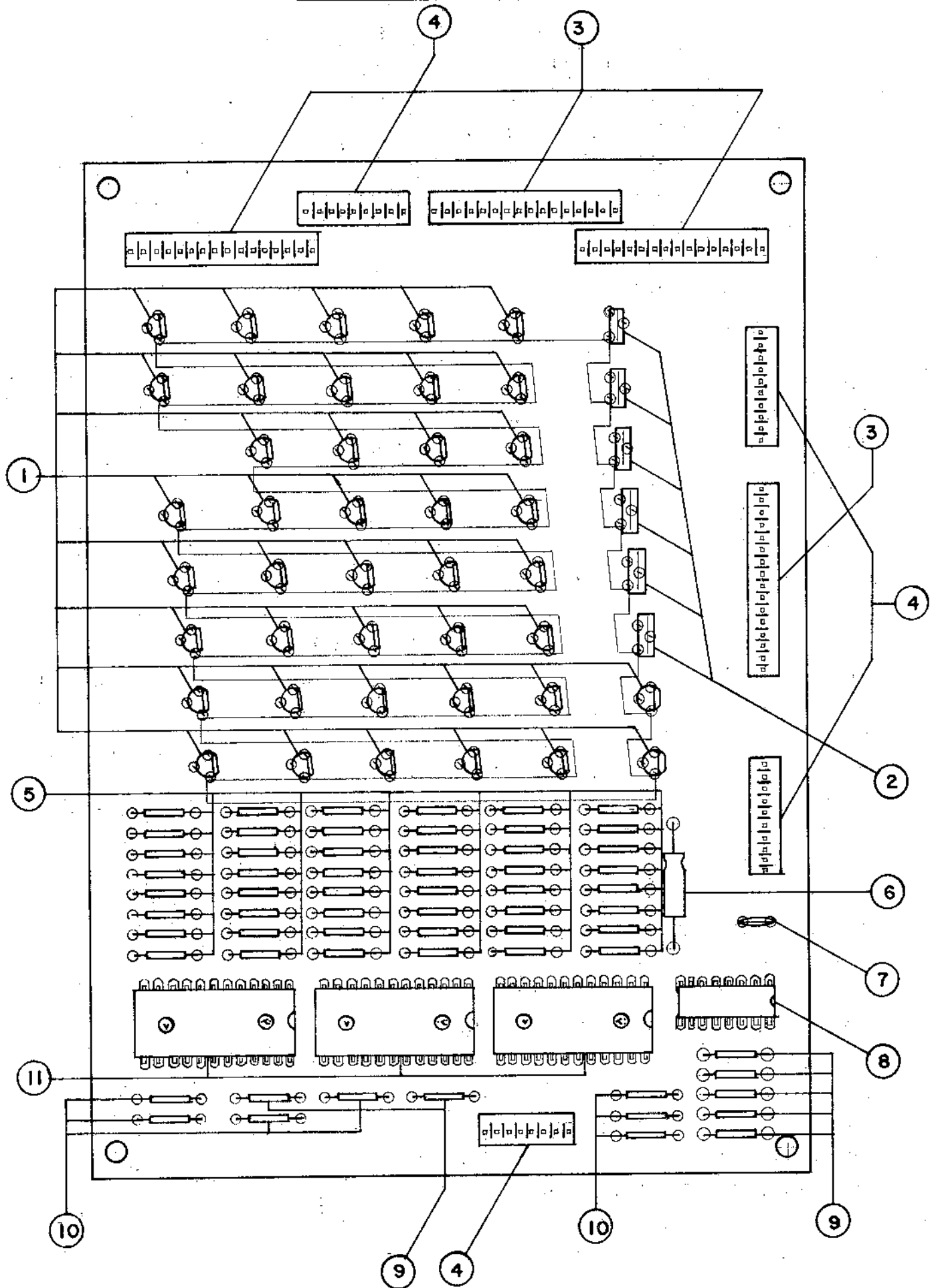
POWER BUMPER  
10-10004B



POWER BUMPER ASSEM.

<u>ITEM</u>	<u>PART NO.</u>	<u>DESCRIPTION</u>
1	11-10001N	NO.4X1/2 P.R.HD. S.M.S.
2	03-40003N	SUNBURST CAP
3	31-00001N	NO. 47 LAMP
4	29-60001N	BUMPER LAMP SOCKET
5	03-40005N	WAFER
6	05-40001A	POWER BUMPER ROD
7	32-40002A	" " SPACER
8	32-40003A	SNAP BUSHING
9	10-00008A	BUMPER MTG. PLATE ASS'Y
10	05-70002A	POWER BUMPER PLUNGER
11	04-00011A	" " COIL STOP
12	21-50001B	SOLENOID
13	03-40008N	" TUBE
14	11-40003N	6/32X1/4 P.R.HD. M.S. SEMS
15	11-40002N	8/32X1/4 P.R.HD. M.S. SEMS
16	12-00002N	6/32 HEX NUT
17	13-10002N	NO.6 EXT. TOOTH LOCKWASHER
18	04-00026B	COIL MTG. BRK'T
19	10-00009A	PLUNGER STOP ASS'Y
20	11-40004A	6/32X3/8 P.R.HD. M.S. SEMS
22	17-90001A	TENSION PLATE
23	22-00001N	POWER BUMPER SWITCH
24	04-30003A	FIBER PLUNGER ARM
25	04-10002A	STAINLESS PLUNGER ARM
26	25-00001N	IN 4004 DIODE
27	06-30005A	BUMPER PLUNGER RETURN SPRING
28	12-20002N	SPEED NUT
29	03-40006N	BUMPER BASE
30	06-30001A	POWER BUMPER SPRING
31	04-10001A	" " RING
32	03-40004N	" " BODY
33	11-40001N	6/32 X 1 1/4 P.R.HD. M.S.
34	12-10001N	6/32 ELASTIC STOP NUT
35	03-40007N	BUMPER SWITCH ACTUATOR
36	10-10046N	SOLENOID ASS'Y. INCLUDES ITEMS 12,13,26

# LDU-1-LAMP DRIVER

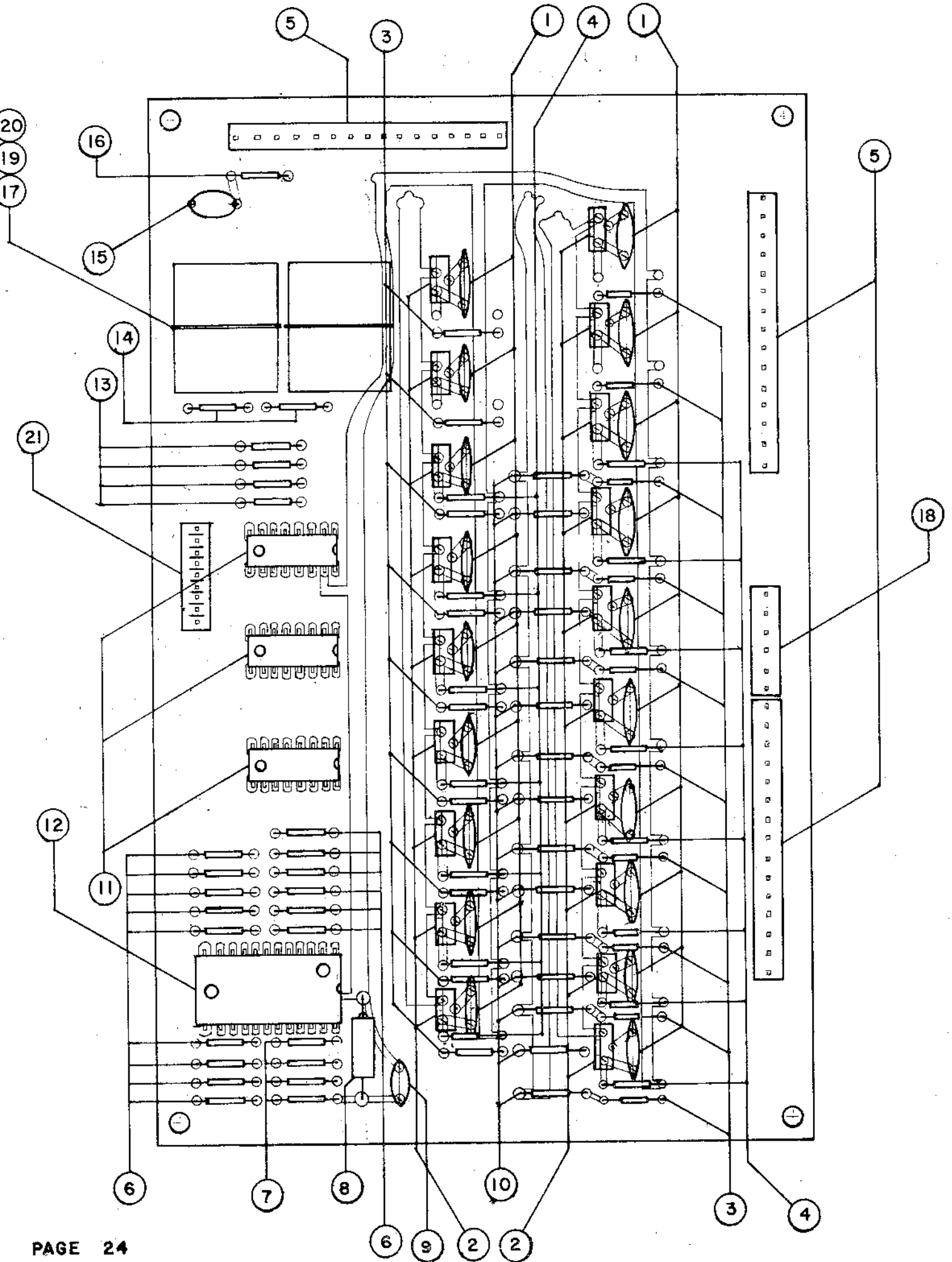


LDU-1-LAMP DRIVER  
20-10003B

<u>ITEM</u>	<u>PART NO.</u>	<u>DESCRIPTION</u>
1	25-20001N	2N5060 SCR
2	25-20002N	MCR 106-1 SCR
3	29-00002N	15 PIN CIS HEADER
4	29-00001N	9 PIN CIS HEADER
5	23-00004N	2.2K ohm $\pm$ 5% 1/4 WATT RESISTOR
6	24-10001N	10mfd, 16 VOLT AXIAL LYTIC CAP
7	24-00001N	.01mfd $\pm$ 10% 50VOLT CERAMIC DISC CAP
8	26-10002N	4050 HEX BUFFER
9	23-00009N	2.2M ohm $\pm$ 5% 1/4 WATT RESISTOR
10	23-00007N	22K ohm $\pm$ 5% 1/4 WATT RESISTOR
11	26-10001N	4514 DECODER



# SDU-1- SOLENOID DRIVER

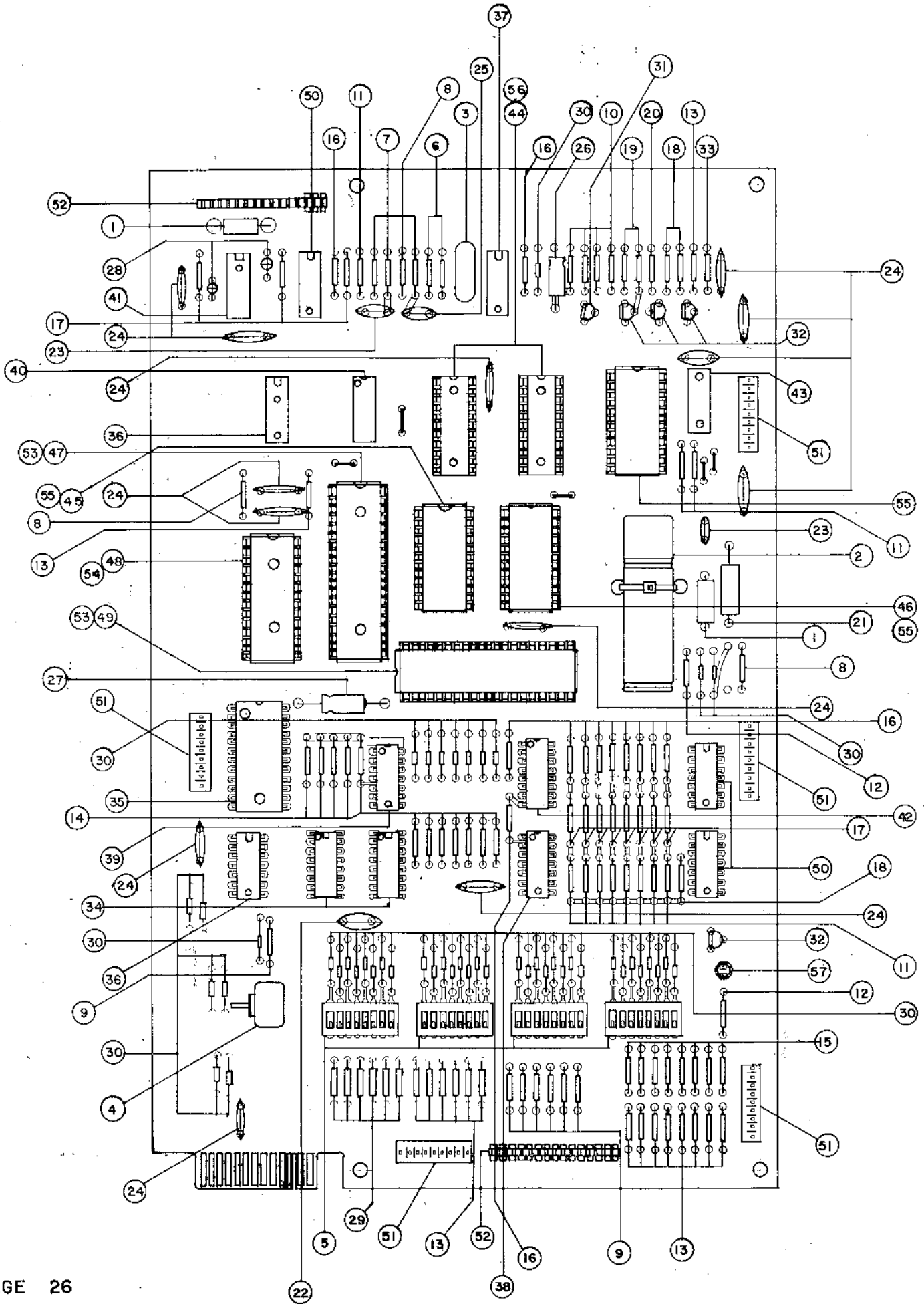


## SDU - I — SOLENOID DRIVER

20-10002B

<u>ITEM</u>	<u>PART NO.</u>	<u>DESCRIPTION</u>
1	24-00002N	.002 mfd. $\pm 10\%$ , 1K V. CERAMIC DISC CAP
2	25-10002N	RCA 121 OR SE 9301 TRANSISTOR
3	25-00001N	1N4004 DIODE
4	23-00002N	330 ohm $\pm 5\%$ , 1/4 WATT RESISTOR
5	29-00004N	15 PIN HEADER
6	23-00003N	1.2K ohm $\pm 5\%$ , 1/4 WATT RESISTOR
7	23-00008N	100K ohm $\pm 5\%$ , 1/4 WATT RESISTOR
8	24-10001N	10 mfd. 16 VOLT AXIAL LYTIC CAP
9	24-00001N	.01 mfd. $\pm 10\%$ , 50 VOLT CERAMIC DISC CAP
10	23-10001N	470 ohm $\pm 5\%$ , 1/2 WATT RESISTOR
11	26-00005N	CA3081 OR ULN2081 I.C.
12	26-00004N	74154 INTEGRATED CIRCUIT
13	23-00005N	4.7K ohm $\pm 5\%$ , 1/4 WATT RESISTOR
14	SEE 3	
15	24-20001N	.1 mfd. $\pm 10\%$ , 100 VOLT MYLAR CAP
16	23-00006N	100 ohm $\pm 5\%$ , 1/4 WATT RESISTOR
17	21-00001N	4 PDT 24 VDC RELAY
18	29-00003N	6 PIN HEADER
19	29-50001N	RELAY SOCKET
20	06-90001N	RELAY HOLD DOWN SPRING
21	29-00001N	9 PIN HEADER

MPU-MICRO PROCESSOR UNIT



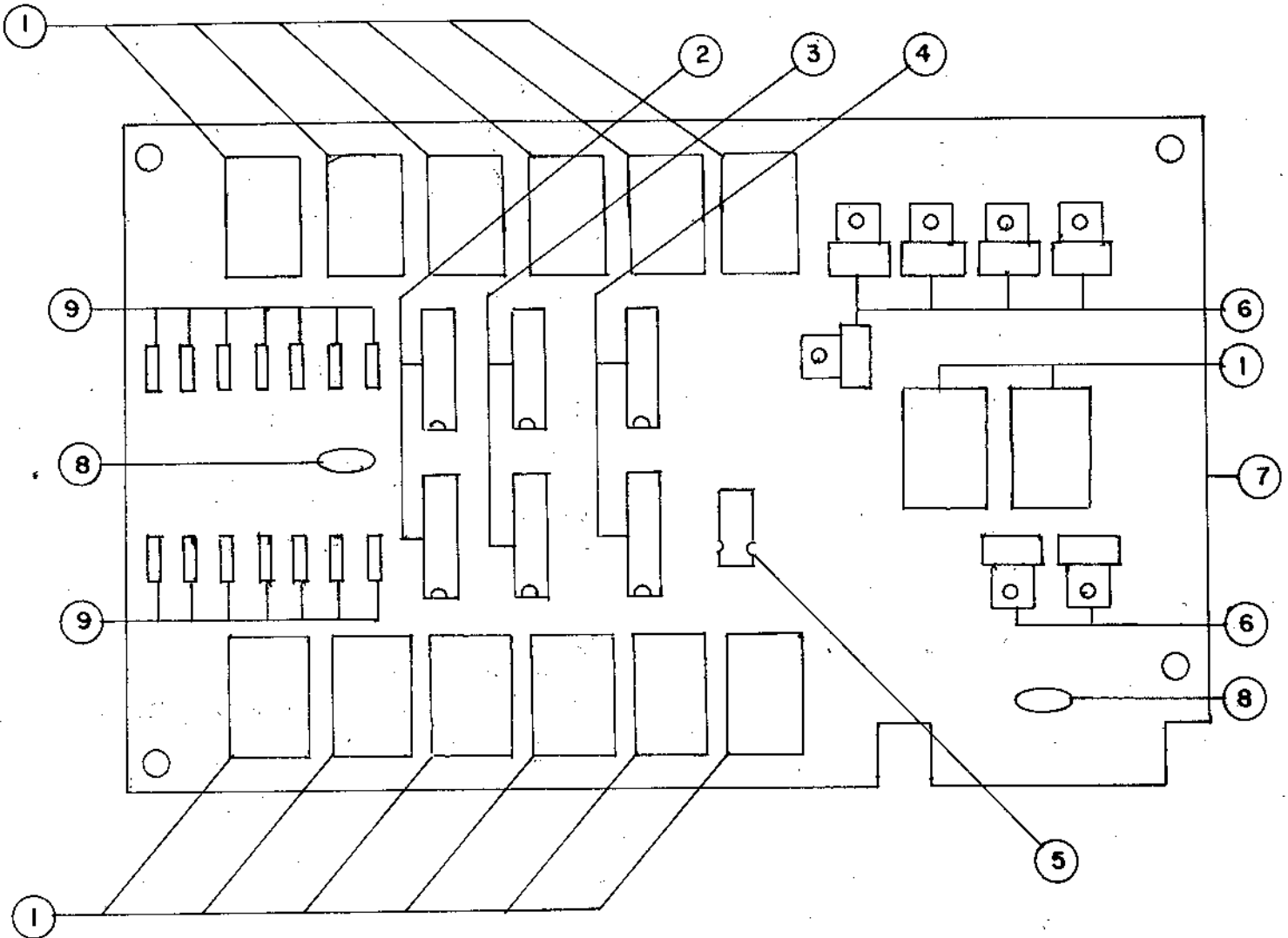
MPU-MICRO PROCESSOR UNIT

20-10004C

ITEM	PART NO	DESCRIPTION	ITEM	PART NO	DESCRIPTION
1	21-40002N	RF CHOKE	31	25-10003N	2N 4403 TRANS.
2	21-90002N	BATTERY (3.6V Ni CAD)	32	25-10004N	2N 3904 TRANS.
3	21-90001N	CRYSTAL (2.4576 MHZ)	33	25-30001N	1N 958B ZENER DIODE
4	22-10002N	PUSHBUTTON SWITCH	34	26-00002N	74LS379 I.C.
5	22-50001N	DIP SLIDE SWITCH	35	26-00004N	74154 I.C.
6	23-00002N	330 OHM 1/4 W. RES.	36	26-00006N	74LS00 I.C.
7	23-00004N	2.2K OHM "	37	26-00007N	74LS04 I.C.
8	23-00005N	4.7K OHM "	38	26-00008N	7416 I.C.
9	23-00006N	100 OHM "	39	26-00009N	7417 I.C.
10	23-00007N	22K OHM "	40	26-00010N	74LS32 I.C.
11	23-00008N	100K OHM "	41	26-00011N	74LS123 I.C.
12	23-00010N	270 OHM "	42	26-00012N	74LS138 I.C.
13	23-00011N	1K OHM "	43	26-10004N	74C32 I.C.
14	23-00012N	1.5K OHM "	44	26-30001N	HM 6551-9 CMOS I.C.
15	23-00013N	3.3K OHM "	45	26-30003N	MODEL 110 "A" ROM
16	23-00015N	10K OHM "	46	26-30004N	MODEL 110 "B" ROM
17	23-00016N	220K OHM "	47	26-40001N	Z-80 CPU
18	23-00019N	8.2K OHM "	48	26-40002N	Z-80 CTU
19	23-00020N	47K OHM "	49	26-40003N	8255 PIA
20	23-00021N	120K OHM "	50	26-60001N	LM 339 I.C.
21	23-20002N	100 OHM 1 W. RES.	51	29-00001N	9 PIN HEADER
22	24-00001N	.01 MFD 50V CER. CAP	52	29-00002N	15 PIN HEADER
23	24-00003N	.001 MFD 100V CER. CAP	53	29-50002N	40 PIN I.C. SOCKET
24	24-00005N	.1 MFD 25V CER. CAP	54	29-50003N	28 PIN I.C. SOCKET
25	24-00001N	220 PFD 100V CER. CAP	55	29-50004N	24 PIN I.C. SOCKET
26	24-10001N	10 MFD 16V AX. LYTIC CAP	56	29-50005N	22 PIN I.C. SOCKET
27	24-10004N	22 MFD, 16V AX. LYTIC CAP	57	31-10001N	LED
28	24-30001N	1 MFD 35V DIP. TAN. CAP			
29	25-00001N	1N 4004 DIODE			
30	25-00002N	1N 4148 DIODE			

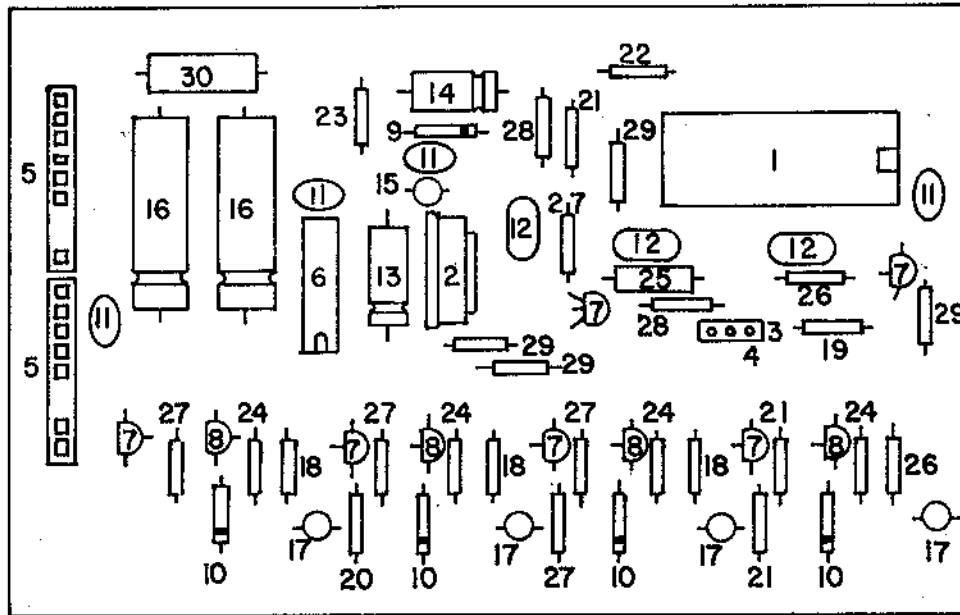
DDU-1 DUAL DISPLAY UNIT

20-10001B



<u>ITEM</u>	<u>PART NO.</u>	<u>DESCRIPTION</u>
1	31-20001N	5" 7 SEGMENT COMMON ANODE LED DISPLAY
2	26-00003N	2003 TRANSISTOR ARRAY
3	26-00001N	74LS48 DECODER DRIVER
4	26-00002N	74LS379 QUAD D FLIP-FLOP
5	24-10001N	10 mfd, 16V. AXIAL LYTIC CAP
6	25-10001N	MPS-U45 TRANSISTOR
7	20-00002B	DDU-1 P. C. BOARD
8	24-00001N	.01 mfd. $\pm 10\%$ , 50V. CERAMIC DISC CAP
9	23-00001N	22 OHM $\pm 10\%$ , $\frac{1}{4}$ WATT RESISTOR

SOUND SIMULATOR  
20-10008A



ITEM	PART NO.	DISCRIPTION
1	26-60002N	SN76477 COMPLEX SOUND GENERATOR
2	27-00001N	100 K OHM TRIMMER POT - VOLUME CONTROL
3	29-10005N	MINI JUMP CONNECTOR - SOUND SELECTOR (IN CALLIOPE POSITION)
4	29-00006N	3 PIN GOLD HEADER - POWER SUPPLY INPUT
5	29-00001N	9 PIN HEADER - SOUND SELECTOR
6	26-60003N	LM 380 AUDIO AMPLIFIER
7	25-10004N	2N3904 NPN TRANSISTOR
8	25-10003N	2N4403 PNP TRANSISTOR
9	25-30004N	IN4793A 9.1 VOLT ZENER DIODE
10	25-00002N	IN4148 DIODE
11	24-00005N	.1 MFD + 80 - 20% , 25 VOLT CERAMIC DISC CAP
12	24-20001N	.1 MFD $\pm 10\%$ , 100 VOLT MYLAR CAP
13	24-10001N	10 MFD, 16 VOLT AXIAL LYTIC CAP
14	24-10004N	22 MFD, 16 VOLT AXIAL LYTIC CAP
15	24-00006N	220 PFD $\pm 10\%$ , 100 VOLT CERAMIC DISC CAP
16	24-10003N	150 MFD, 25 VOLT AXIAL LYTIC CAP
17	24-30001N	1 MFD, $\pm 10\%$ , 35 VOLT DIPPED TANTALUM CAP
18	23-00007N	22 K OHM $\pm 5\%$ 1/4 WATT RESISTOR
19	23-00008N	100 K OHM $\pm 5\%$ 1/4 WATT RESISTOR
20	23-00010N	270 OHM $\pm 5\%$ 1/4 WATT RESISTOR
21	23-00019N	8.2 K OHM $\pm 5\%$ 1/4 WATT RESISTOR
22	23-00020N	47 K OHM $\pm 5\%$ 1/4 WATT RESISTOR
23	23-00022N	2.7 OHM $\pm 5\%$ 1/4 WATT RESISTOR
24	23-00023N	39 K OHM $\pm 5\%$ 1/4 WATT RESISTOR
25	23-00024N	56 K OHM $\pm 5\%$ 1/4 WATT RESISTOR
26	23-00025N	1 MEG OHM $\pm 5\%$ 1/4 WATT RESISTOR
27	23-00011N	1 K OHM $\pm 5\%$ 1/4 WATT RESISTOR
28	23-00016N	220 K OHM $\pm 5\%$ 1/4 WATT RESISTOR
29	23-00015N	10 K OHM $\pm 5\%$ 1/4 WATT RESISTOR
30	23-20002N	100 OHM 1 WATT RESISTOR
31	20-00007A	P.C. BOARD