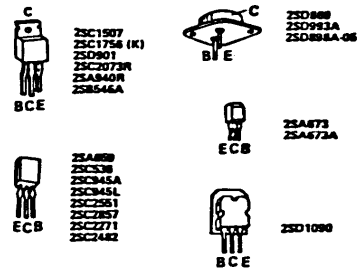
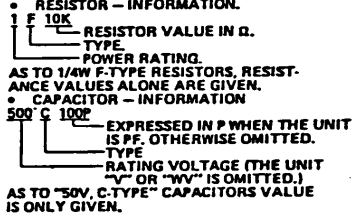


1. TRANSISTOR BASE INFORMATION.



2. RESISTOR, CAPACITOR INFORMATION.

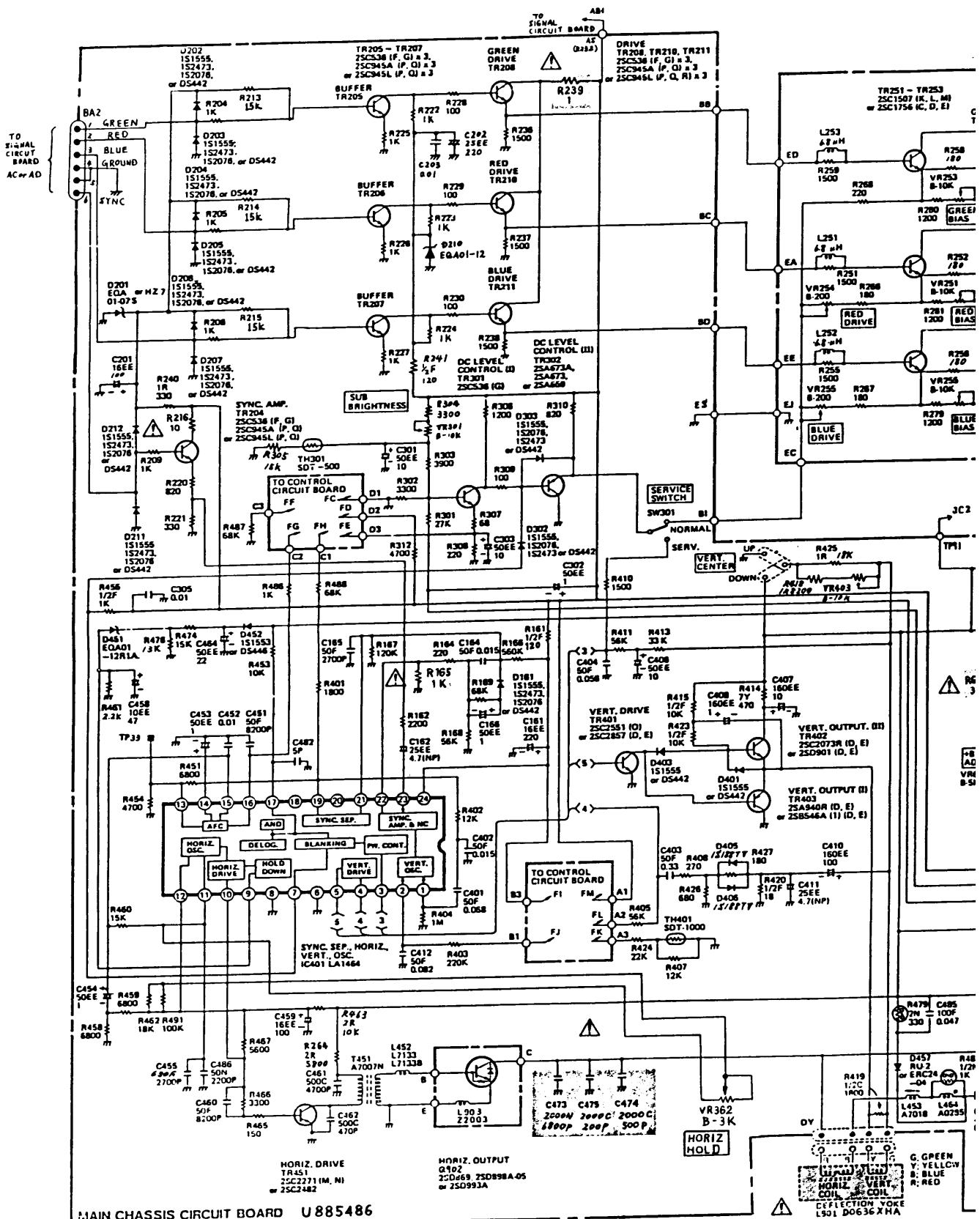


3. THIS BEING A FUNDAMENTAL SCHEMATIC THERE WILL BE SOME CASES THAT THE REAL CIRCUIT DOES NOT COINCIDE WITH THIS.

- RESISTOR TYPE**
 F: INSULATED FIXED CARBON FILM RESISTOR.
 N: INSULATED METAL FILM FIXED RESISTOR.
 R: INSULATED FIXED METAL OXIDE FILM RESISTOR.
 Y: INSULATED WIRE WOUND FIXED RESISTOR.
 C: FIXED CARBON COMPOSITION RESISTOR.
- CAPACITOR TYPE**
 C : FIXED CERAMIC CAPACITOR.
 EE : RADIAL TYPE ALUMINUM ELECTROLYTIC CAPACITOR.
 F : POLYESTER FILM CAPACITOR.
 N : POLYPROPYLENE FILM CAPACITOR.
 (NPI): NON-POLAR ALUMINUM ELECTROLYTIC CAPACITOR.

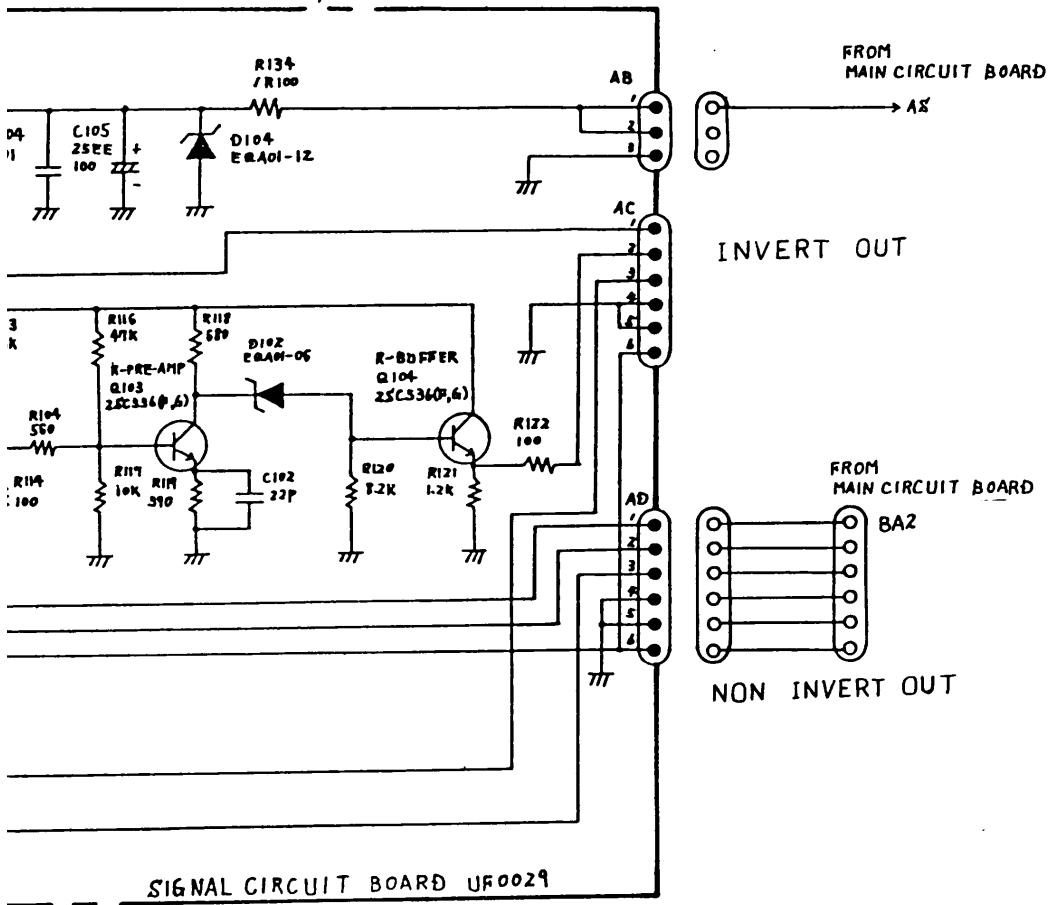
20-EZV(R-C) SCHEMATIC

Sheet 1 of 2



MAIN CHASSIS CIRCUIT BOARD U 885486

G. GREEN
 Y. YELLOW
 B. BLUE
 R. RED
 DEFLECTION YOKE
 L501 D0636 XMA



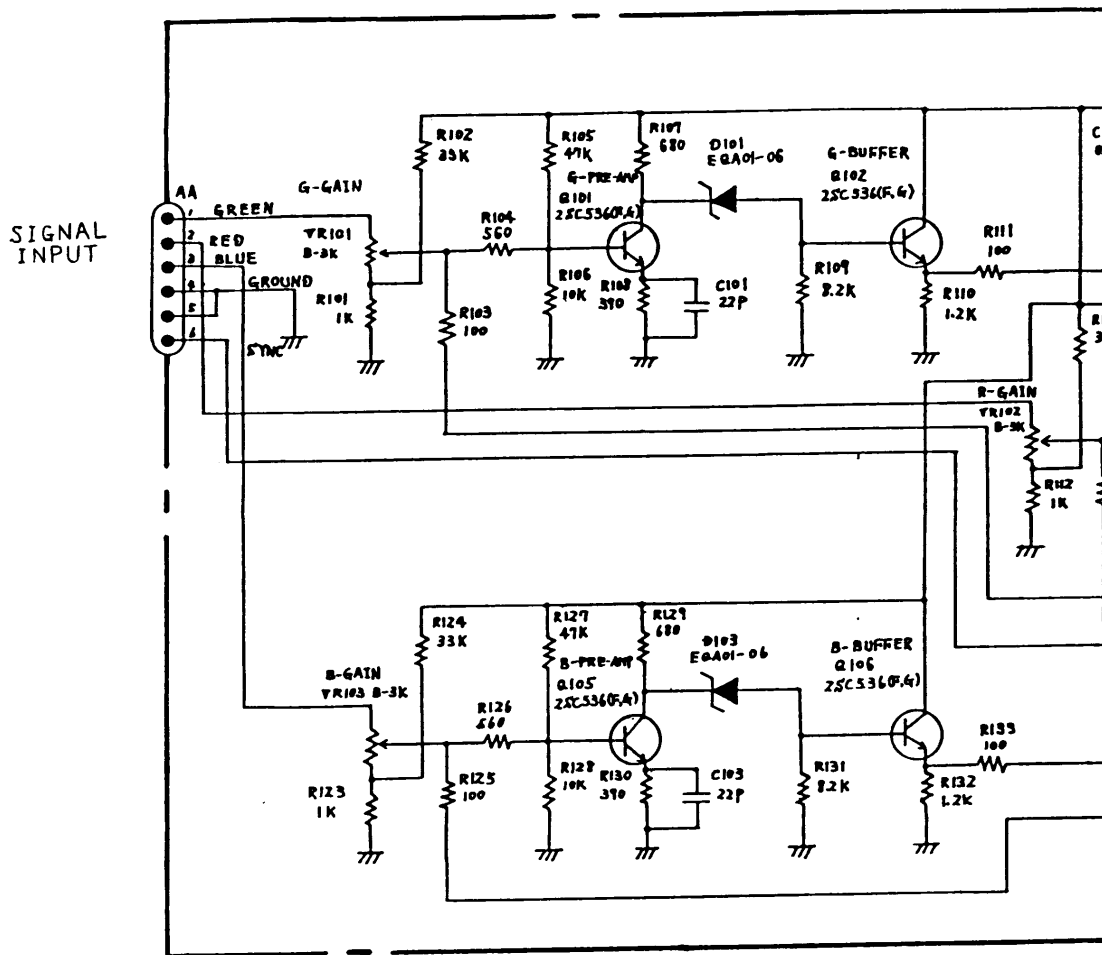
 qualified
 in the AC
 servicing
 the heat-
 AC line
 110V
 Hz
 NOTICE !
 ponents
 made to
 shading
 replaced
 improper

20-EZV(R-C) SCHEMATIC

Sheet 2 of 2

©1982 Nintendo of America Inc.

Revision 1



----- WARNINGS -----

1. Service work should only be performed by a service technician.
 2. An isolation transformer must be used between supply and the AC plug of the monitor before servicing or testing is performed since the chassis and ground sink are directly connected to one side of the transformer which could present a shock hazard.
Supply voltage of the video monitor : AC 90V · 50/60
 3. X-RAY RADIATION WARNING AND PRODUCT SAFETY NOTICE
This video monitor contains circuits and components included specifically for safety purpose.
For continued protection, no changes should be made to the original design, and components identified by a triangle symbol and by (\triangle) on schematic diagram should be replaced with exact factory replacement parts.
DO NOT degrade the safety of the set through servicing.
-