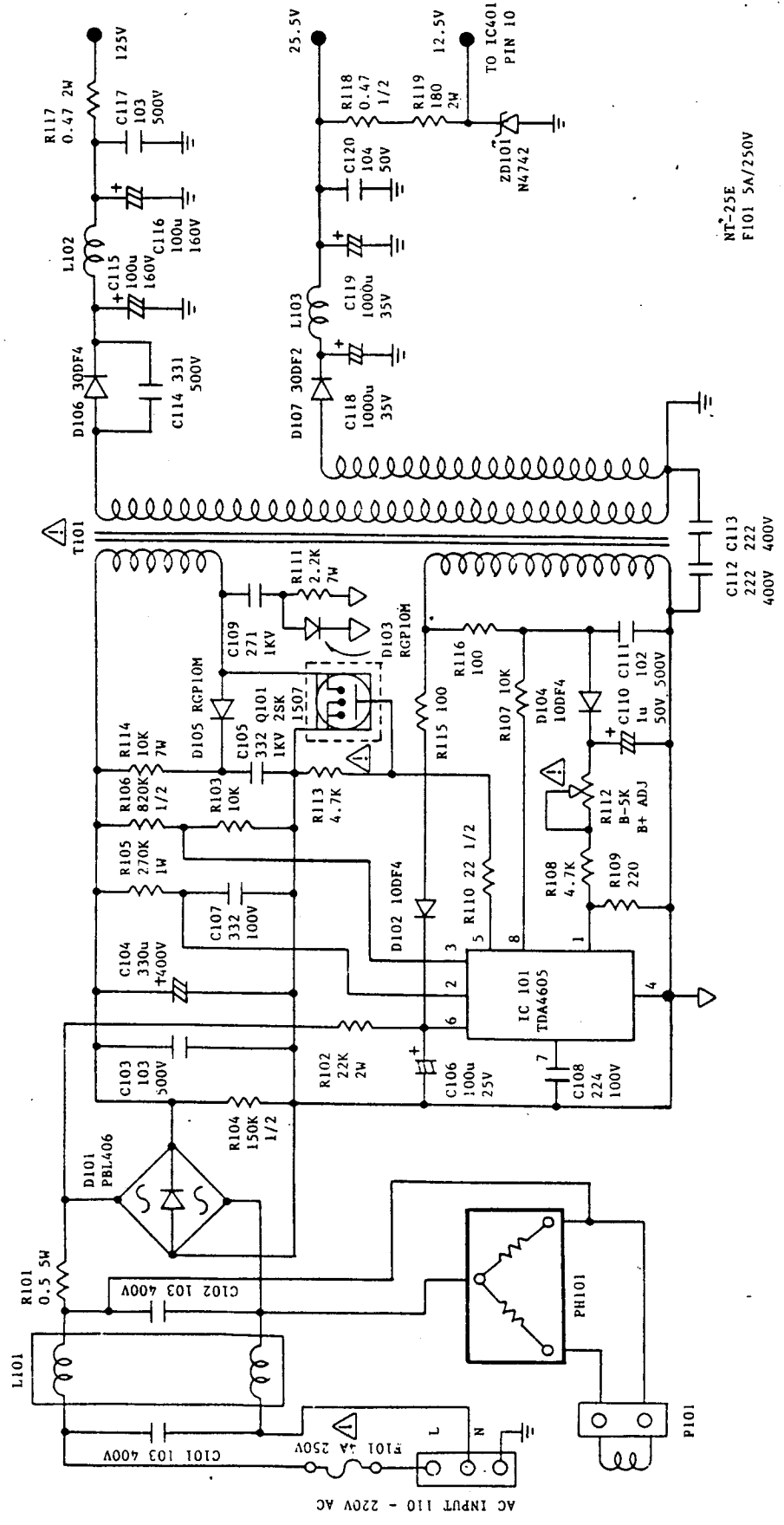


ATTN:



NT-25E
FI01 5A/250V

NEOTEC GRAPHIC INTERNATIONAL INC.

SCALE: _____ APPROVED BY: *for*

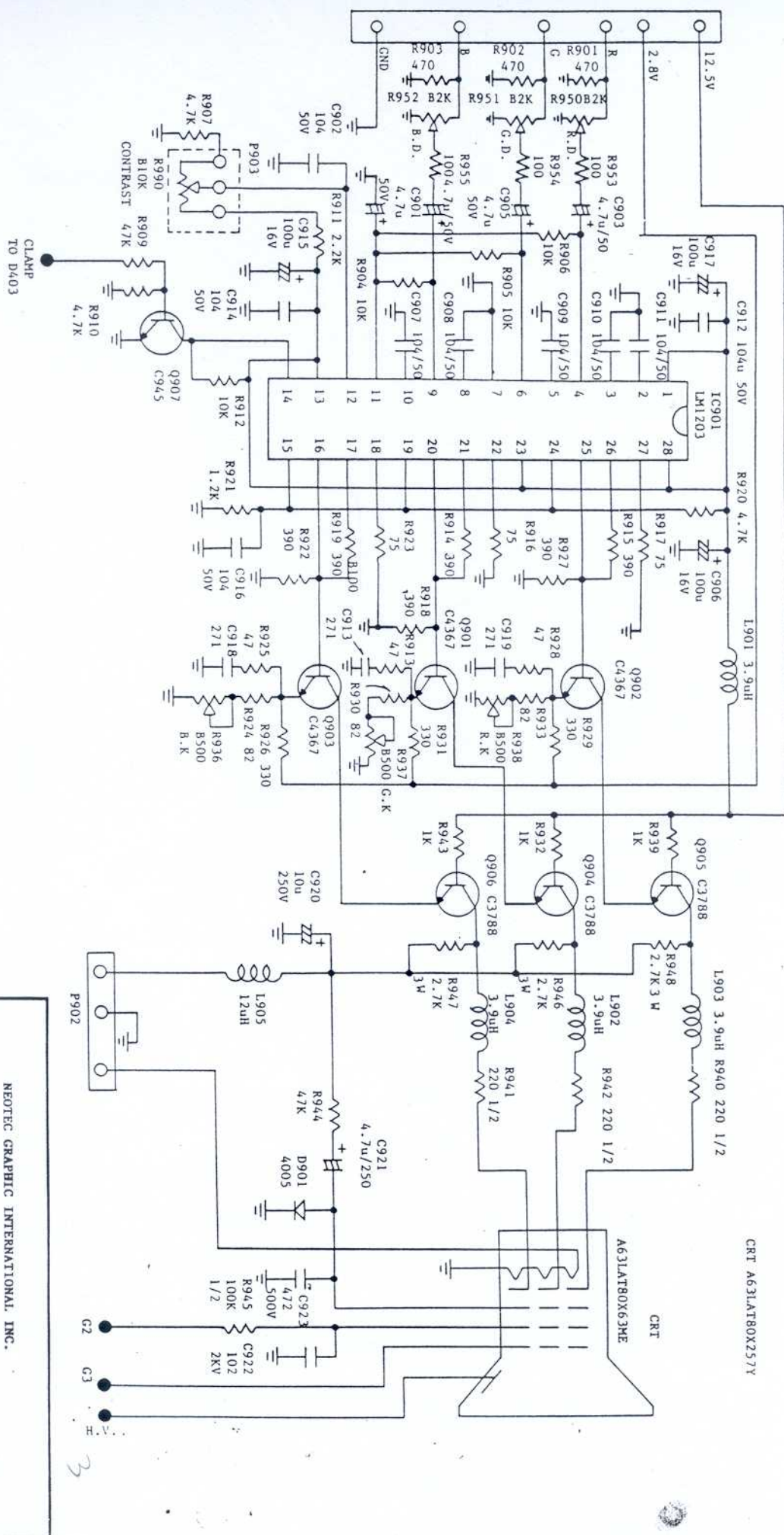
DATE: APRIL 4, 94

DESIGNED BY: *for*

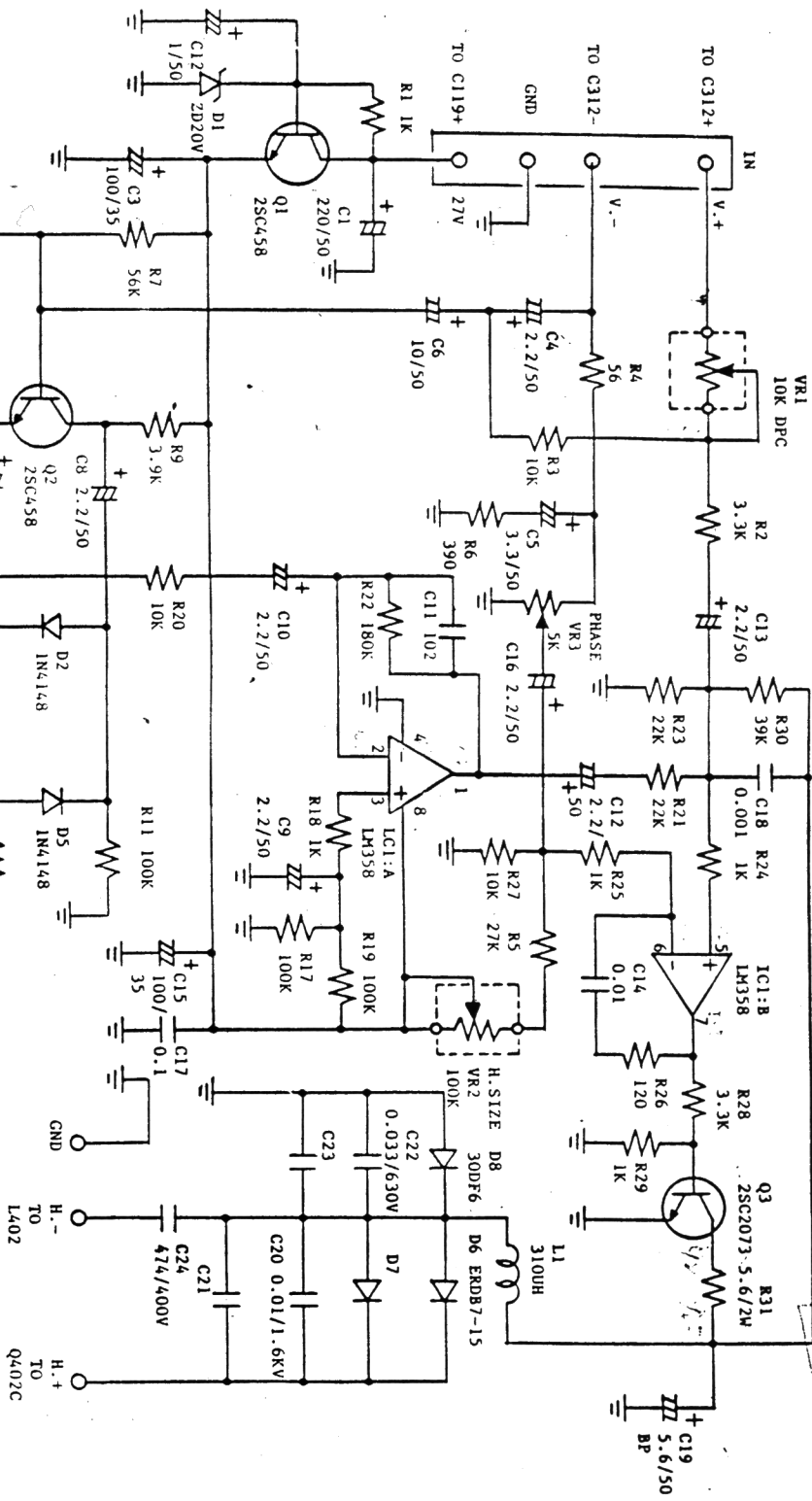
REVISED: _____

NT-2515C, NT-25E POWER SUPPLY CNT

25E/27E/29C/35C/A31/2515C



NEOTEC GRAPHIC INTERNATIONAL, INC.	
SCALE	APPROVED BY
DATE	REVISED
APRIL 4, 94	
NT-2500 NT-2501 VIDEO BOARD CKT	
25E/27E/29C/35C/1431/25-5C	



NEOTEC GRAPHIC INTERNATIONAL

SCALE	APPROVED BY	DRAWN BY
DATE 8-29-94	<i>[Signature]</i>	C. S.

PIN CUSHION BOARD CNT

27E/29C/33C/35C

DATE