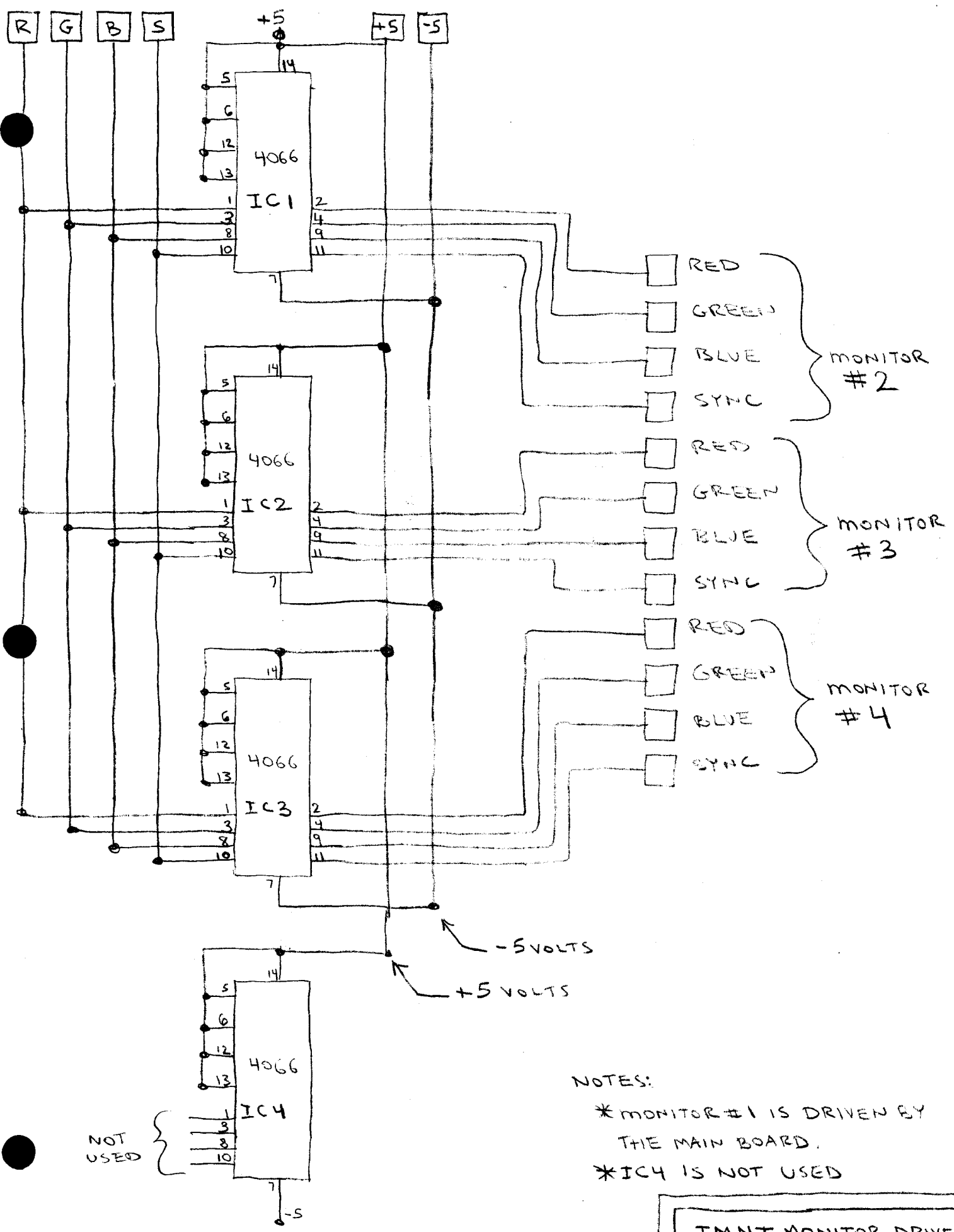


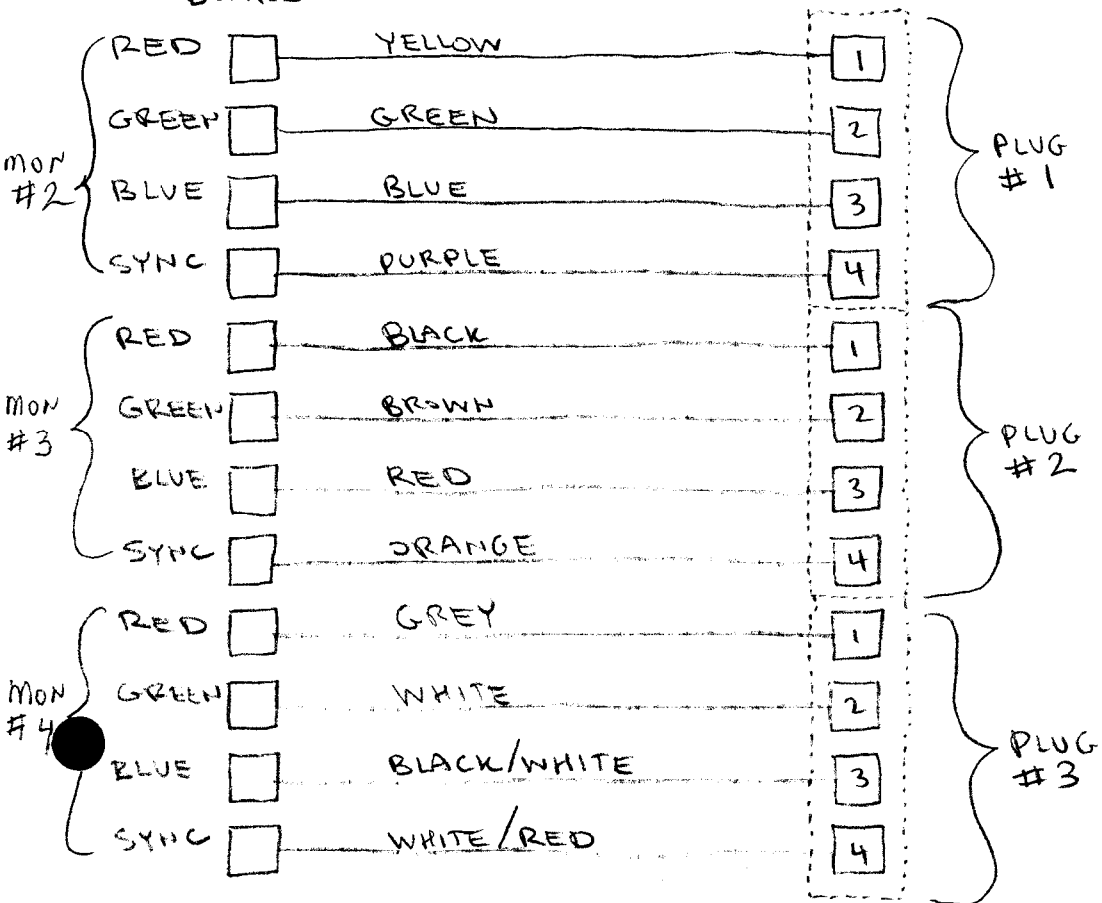
SCREW TERMINALS



NOTES:
 * MONITOR #1 IS DRIVEN BY THE MAIN BOARD.
 * IC4 IS NOT USED

TMNT MONITOR DRIVER BOARD. ©1990, DRAWING BY VIC FORTENBACH

SCREW
TERMINAL
STRIP
ON DRIVER
BOARD



TMNT HARNESS FOR
VIDEO DRIVER BOARD
BY VIC FORTENBACH ©1990