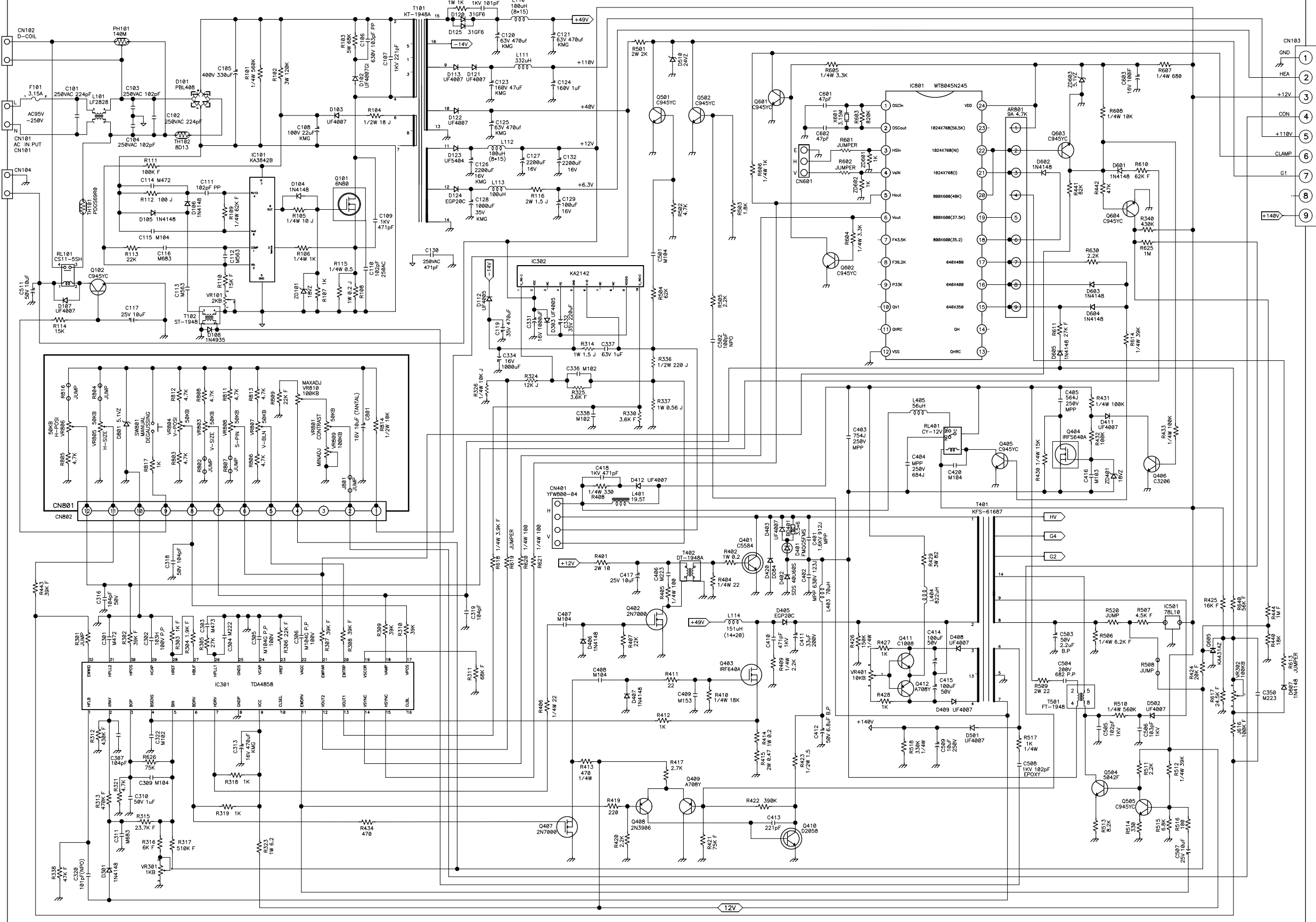
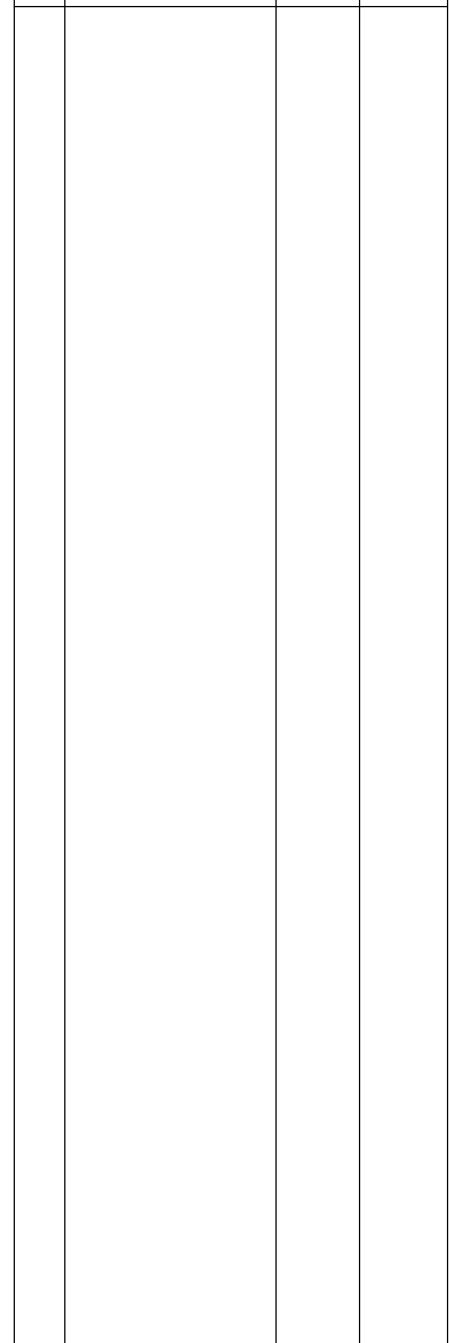


KT1948 19" Analog Monitor - MainBoard

- OTHERS
- GND
- LINE
- PULSE 0-100V
- DC 0-100V
- NATURAL
- PULSE 150-500V
- DC 127-360V
- SECONDARY GND

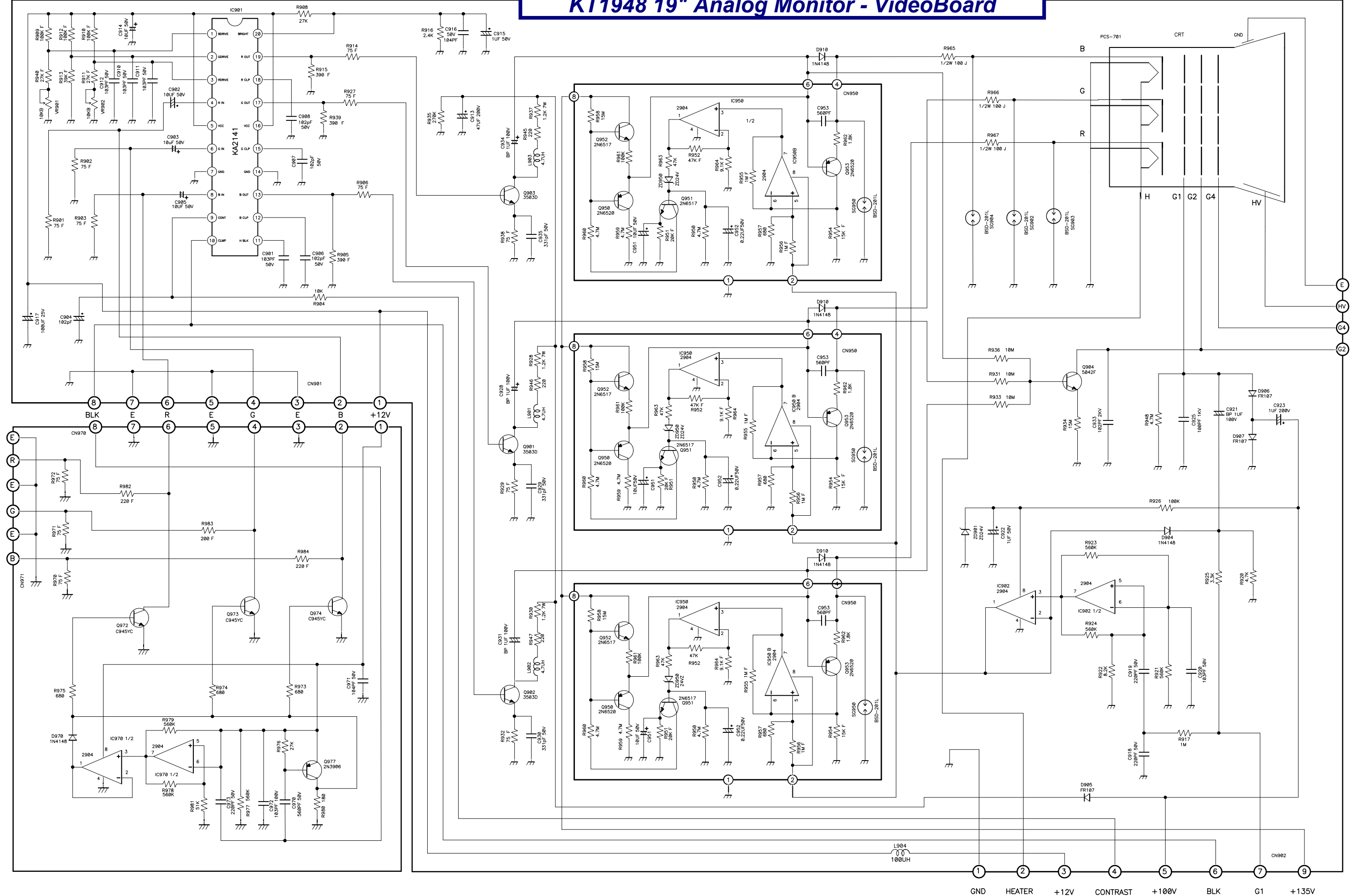


REV	CONTENTS	ECO. NO.	DATE
1	T401 : KT-1948 -> KT-1948A D121 : BA159 -> UF4007 R640 : 1/6W 27K F -> 56K F	0108008	2001.08.20
2	C409 : X -> 100V 153pF D123 : BA159 -> UF5404	0202002	2002.02.05
3	D102,D501,D502 : BA159 -> UF4007	0202007	2002.02.23
4	C107 : 1KV 471pF -> 1KV 221pF	0202010	2002.02.24
5	C412 : 30V 10uF(CSCON) -> 50V 6.8uF B.P	0207006	2002.07.18
6	R504 : 1/6W 47K J -> 62K J	0212005	2002.12.27
7			



KORTEK CORPORATION			
MODEL NAME		KT-1948	
APPROVALS		PCB NAME	
DRAWN		1. MAIN	○
DESIGNED		2. SOCKET	
CHECKED		3. SUB	
APPROVED		DATE	02.12.28
DWG.NO.	KT-1948N-DC	REV. NO.	6

KT1948 19" Analog Monitor - VideoBoard



[\(CLICK LEFT\)](#)

GND HEATER +12V CONTRAST +100V BLK G1 +135V