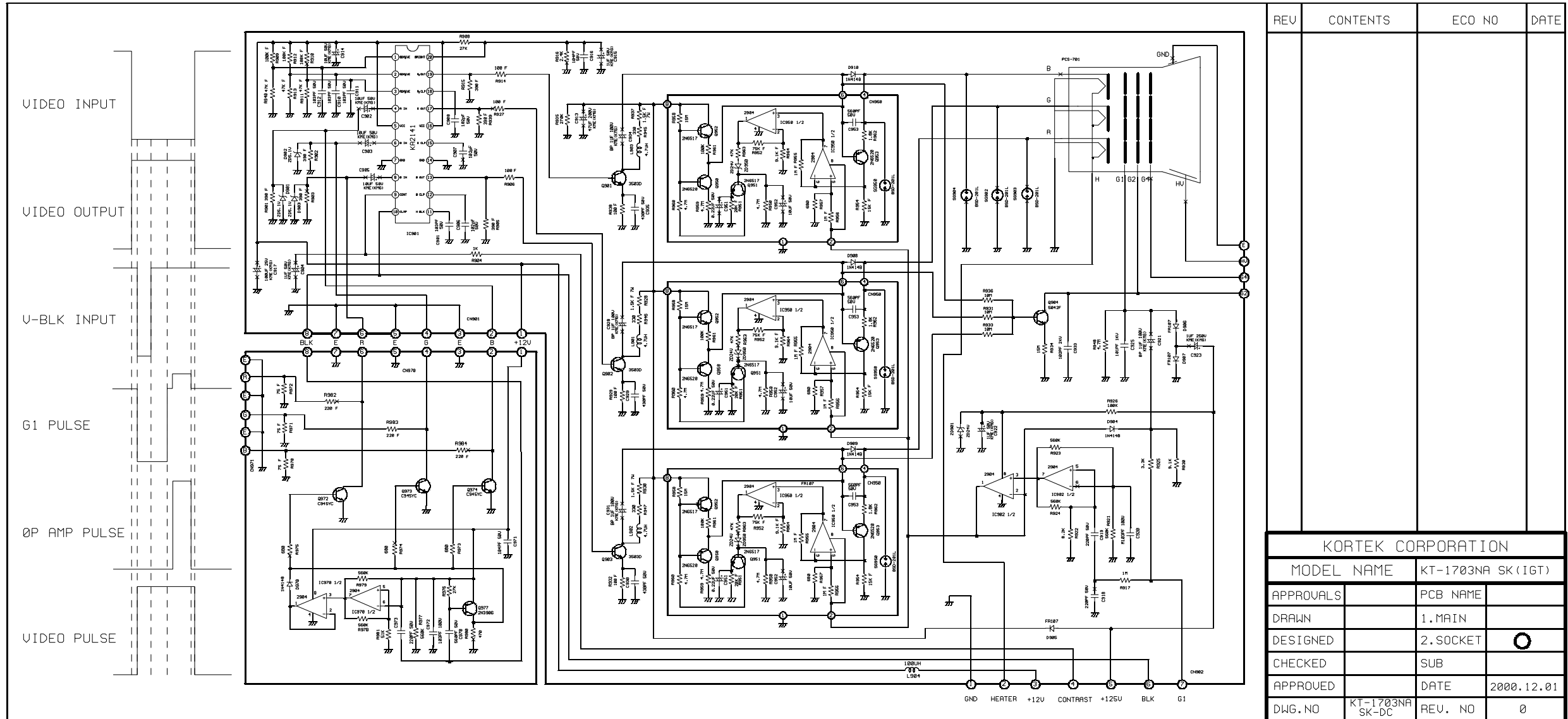


CLICK

Schematic provided by:
CASINOTECH
 702-736-8472, CASINOTECH@LVCM.COM



REV	CONTENTS	ECO NO	DATE
KORTEK CORPORATION			
MODEL NAME		KT-1703NA SK(1GT)	
APPROVALS		PCB NAME	
DRAWN		1.MAIN	
DESIGNED		2.SOCKET	○
CHECKED		SUB	
APPROVED		DATE	2000.12.01
DWG. NO	KT-1703NA SK-DC	REV. NO	0

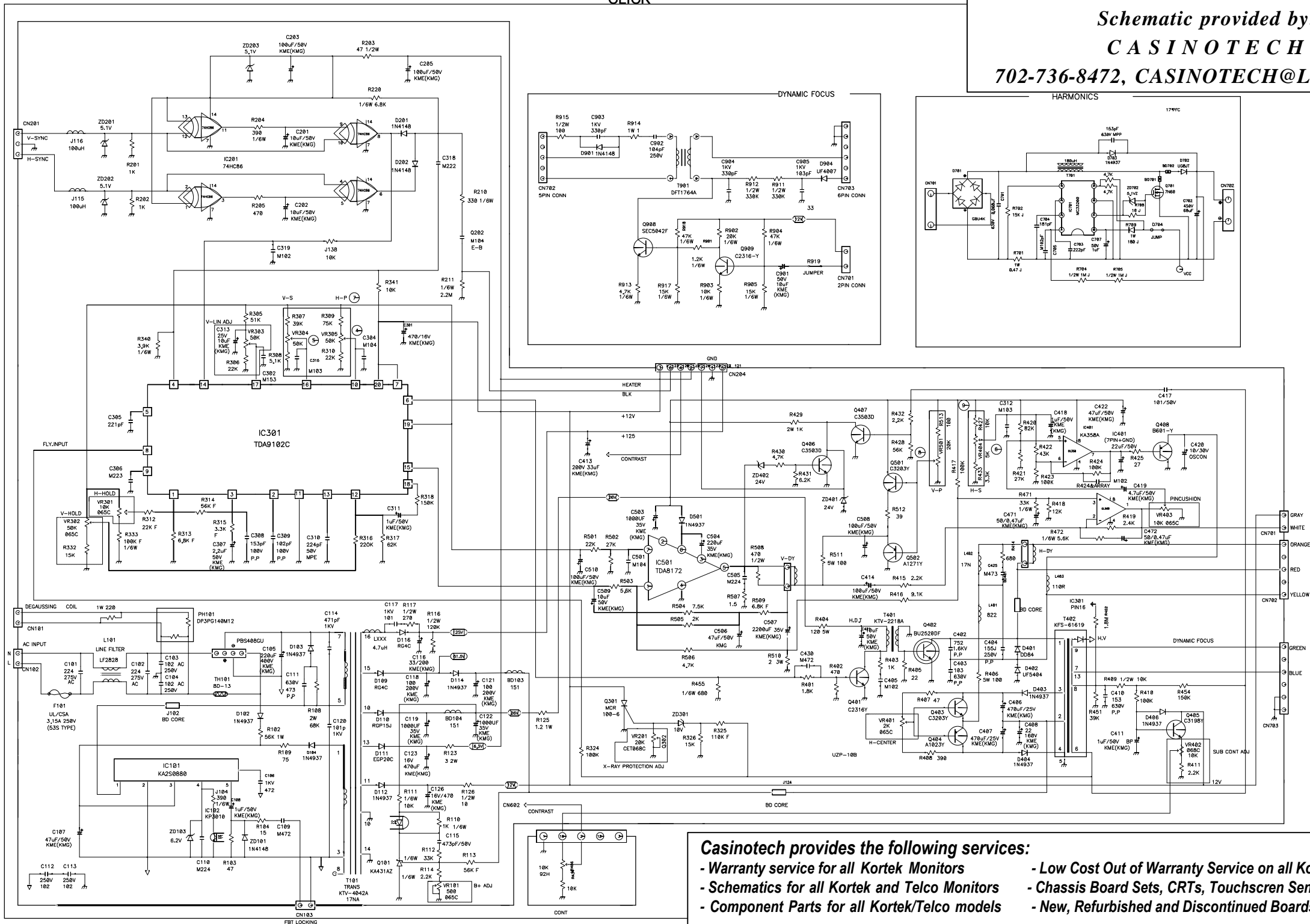
Casinotech provides the following services:

- Warranty service for all Kortek Monitors
- Schematics for all Kortek and Telco Monitors
- Component Parts for all Kortek/Telco models
- Low Cost Out of Warranty Service on all Kortek Monitors
- Chassis Board Sets, CRTs, Touchscren Sensors and Controllers
- New, Refurbished and Discontinued Boards, CRTs and Sensors

CLICK

Schematic provided by:
CASINOTECH
702-736-8472, CASINOTECH@LVCM.COM

CLICK



Casinotech provides the following services:

- Warranty service for all Kortek Monitors
- Low Cost Out of Warranty Service on all Kortek Monitors
- Schematics for all Kortek and Telco Monitors
- Chassis Board Sets, CRTs, Touchscren Sensors and Controllers
- Component Parts for all Kortek/Telco models
- New, Refurbished and Discontinued Boards, CRTs and Sensors