

SERVICE AND OPERATION MANUAL

SE - M21C XX SERIES, 13", 19" OPEN FRAME COLOR MONITORS

HAPP CONTROLS

Manufacturer of Electronic Controls

PERFORMANCE AND OPERATING DATA

1. Power Supply

RCC type self-oscillating switch mode power supply, dual AC input range, jumper selectable.

2. Input Signal

Video-R G B analog, positive, 1-5 Vp-p.
Impedance- 300 ohms, terminated.
Resolution- 480 pixels X 240 lines at 60 Hz vertical refresh rate.
Bandwidth- DC to 16 MHz (at-3db) typical
Rise Time- less then 25 nanoseconds
Sync- TTL, positive or negative. separate or composite. Monitor circuitry will automatically determine and adjust for all syncsignals regardless of type used.

Horizontal Scan

Frequency- 15.75 KHz nominal.
Capture Range- 13.25~18.25 KHz.
Active Video- full width display of video signals with active video from 40 to 50 usec.

Linearity - $\pm 5\%$

Vertical Scan

Frequency- 60 Hz nominal
Capture Range- 47 ~ 70 Hz
Linearity- $\pm 5\%$

3. Picture Size Regulation

2%

4. Geometric Distortion

$\pm 2\%$ (max)

5. Environmental Conditions

Temperature- 0° ~55° C
Humidity- 10 ~ 90%, no condensation

6. High Voltage

25 KV, with integral X-radiation shut-down protection.

7. Degaussing

Automatic, operating at beginning of each power-up cycle, provided the monitor has been turned off for at least 20 minutes.

OPERATING INSTRUCTIONS

1. Connect jumper cable, P503, to jumper pin corresponding to the line voltage in your locality - VJ1, 90-140 VAC;
VJ2, 180-260 VAC.

2. Apply line AC to the monitor via P501.

3. Apply signal source to the monitor via P101.

4. Set up user adjustable controls.

All controls are preset at the factory for optimum performance. If adjustment is necessary to suit program material, most adjustments can be made using only the controls on the remote VR PWB. Other controls in the monitor should be adjusted only if those controls have been tampered with or if major repairs were necessary on the monitor.

USER ADJUSTABLE CONTROLS

1. Main PWB

H-Hold, VR302
V-Hold, VR205

2. Remote VR PWB

Bright, VR305
Contrast, VR306
H-Cent, VR301
V-Cent, VR 204
H-Size, VR303
V-Height, VR201

3. Flyback Transformer

Focus

ADDITIONAL CONTROLS

1. Main PWB

Video Drive Controls*
Red, VR101
Green, VR102
Blue, VR103
East-West Correction, VR203
Side Pincushion VR304
Vertical Linearity, VR202

2. Neck PWB

Cut off Controls*
Red, VR104
Green, VR105
Blue, VR106

3. Flyback Transformer

Screen

These controls have been preset at the factory and should not require further attention.

* If adjustment of these controls becomes necessary, refer to White Balance procedure, page 12.

HIGH VOLTAGE SHUT-DOWN CIRCUIT

The chassis of this monitor has been designed to emit a minimum of soft X-radiation, in accordance with US DHHS rules 21 CFR, subchapter J, applicable at date of manufacture. A high voltage shut-down circuit, as shown below, guarantees horizontal oscillation shut-down should the high voltage exceed designed picture tube maximums. DO NOT ATTEMPT TO MODIFY THIS CIRCUIT.

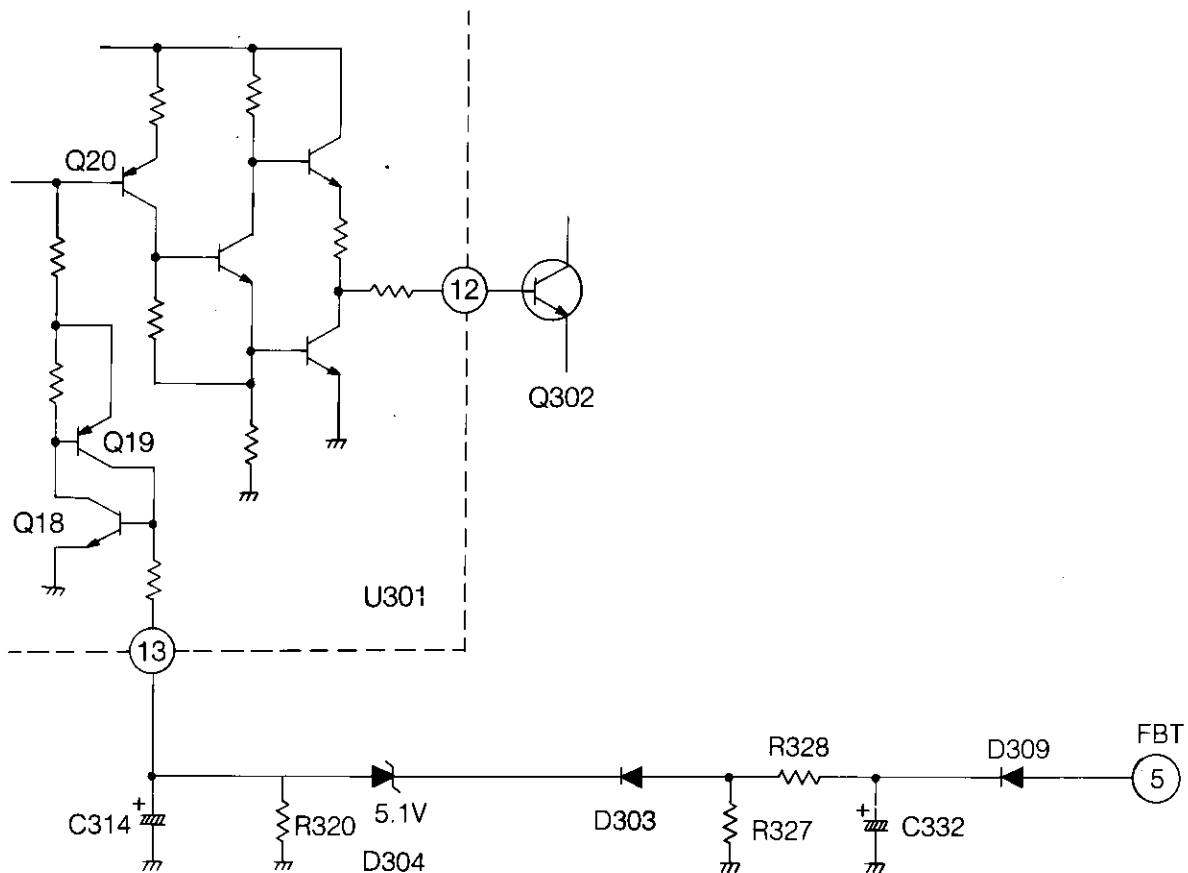
Circuit Description

A flyback pulse is generated at pin 5 of the flyback transformer. This pulse is fed via resistive divider network to pin 13, IC U301. The resistive divider is

such that the value of resistors R327 and R328 is set so that zener diode D304 will conduct when the flyback pulse becomes abnormally high.

A reference voltage is maintained by IC U301 internal circuitry. When D304 is conducting and the flyback pulse becomes equal to or greater than the reference voltage within IC U301, internal IC circuitry will act to shut off drive transistor Q302. Thus horizontal oscillation, and therefore high voltage, will be effectively shut down.

The protective circuit is released by turning off the monitor and reapplying power. If this circuit is working to shut down the monitor, then immediate service is required.



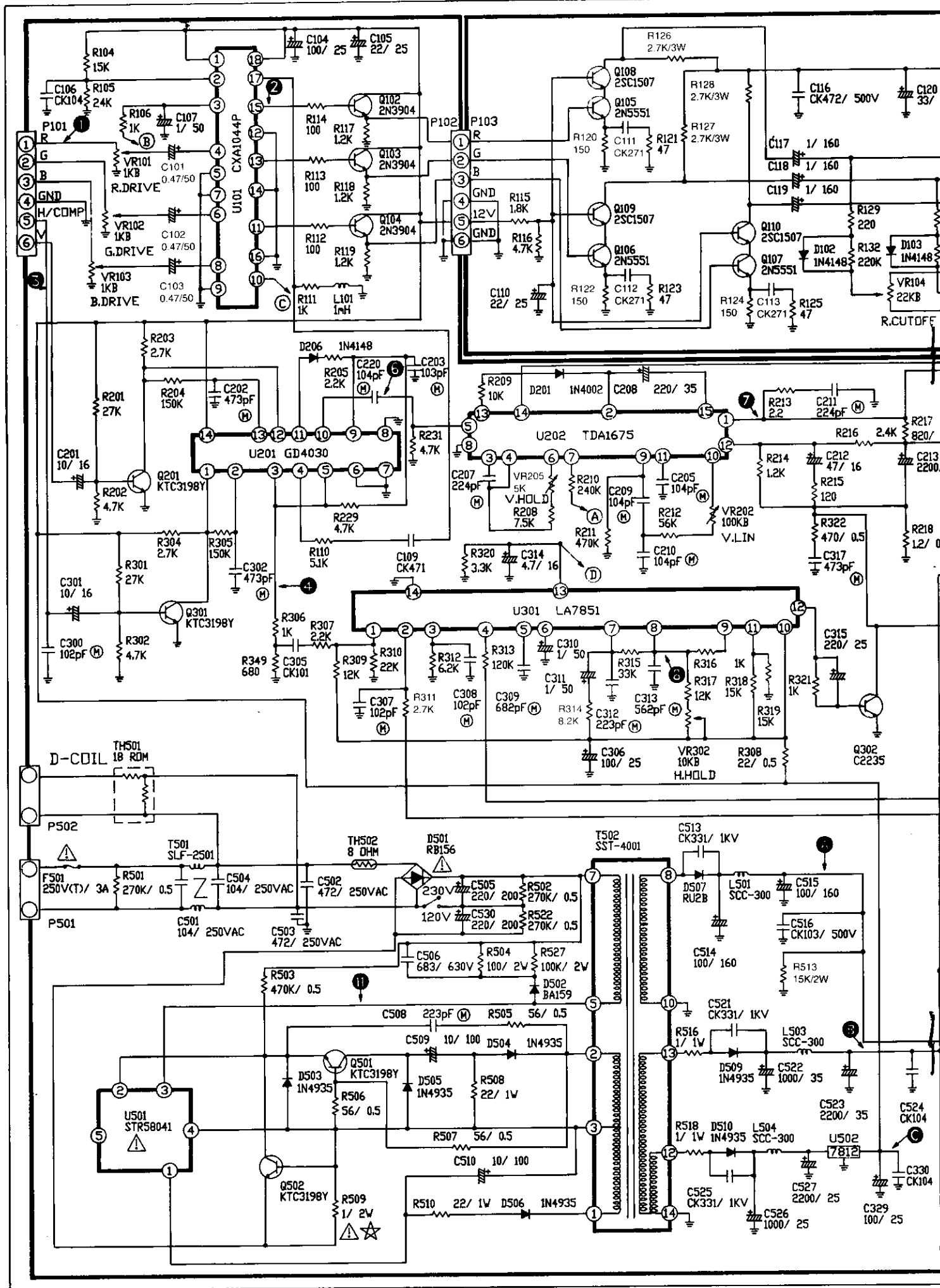
HIGH VOLTAGE CIRCUIT CHECK

Periodically check the high voltage with a reliably calibrated meter for values not in excess of manufacturer's recommendations-25KV. High voltage must not exceed 30KV at zero beam current at rated voltage.

The following steps describe how to measure the high voltage using a high impedance high voltage meter.

1. Connect meter lead (-) to chassis.

2. Connect meter lead (+) to the CRT anode button.
3. Turn the Bright Control, VR305, to maximum clockwise.
4. Measure the high voltage. The meter should indicate factory recommended values.
5. If the meter indication exceeds the maximum value, 30KV, immediate service is required to prevent the possibility of excess X-radiation emission.



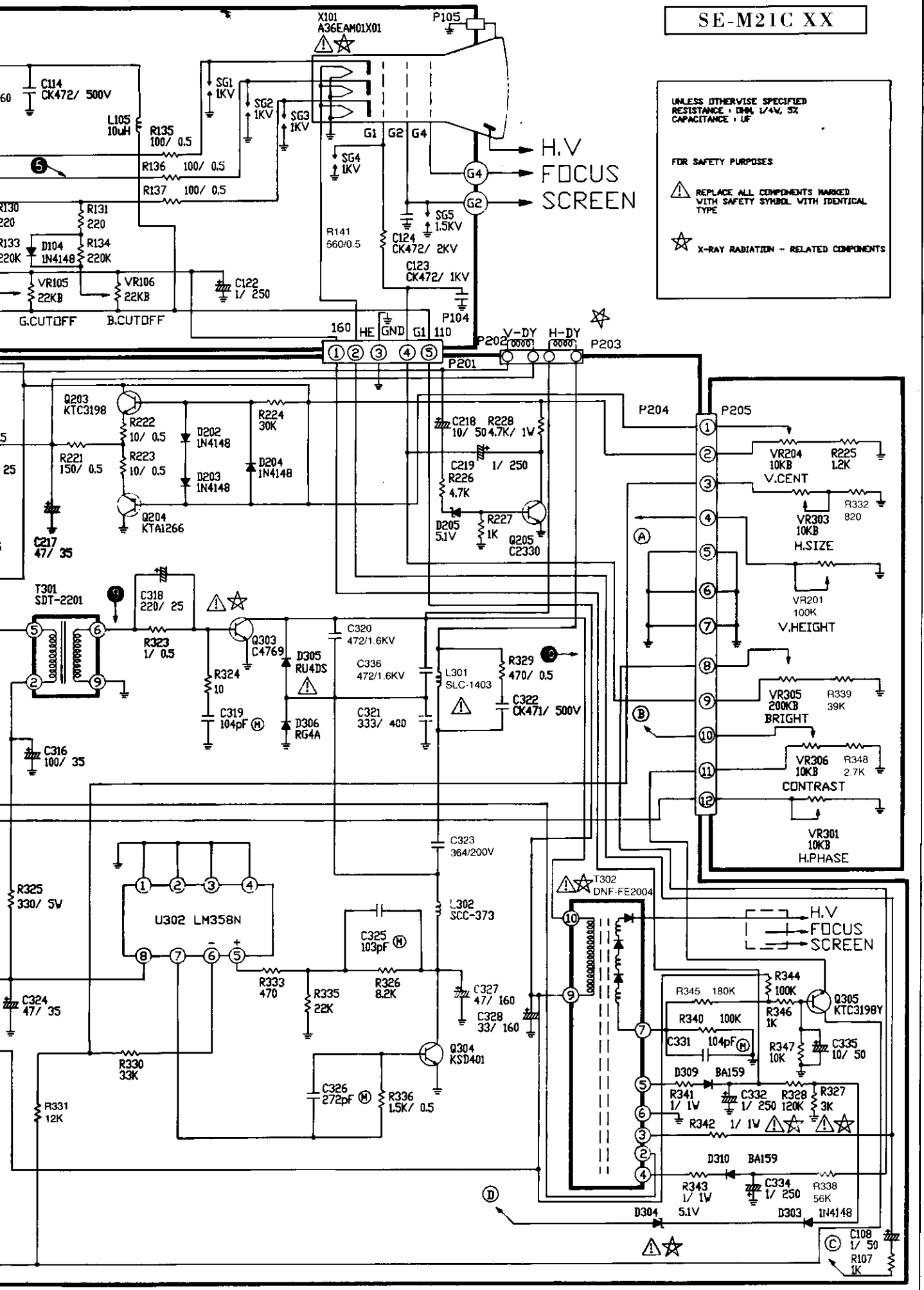
SE-M21C XX

UNLESS OTHERWISE SPECIFIED
RESISTANCE - OHM, 1/4W, 5%
CAPACITANCE - μF

FOR SAFETY PURPOSES

⚠️ REPLACE ALL COMPONENTS MARKED
WITH SAFETY SYMBOL WITH IDENTICAL
TYPE

★ X-RAY RADIATION - RELATED COMPONENTS



PARTS LIST

LOCATION NO. PARTS NAME SPECIFICATIONS

TRANSFORMERS, COILS

T301	TRANS, DRIVE	SDT-2201
T302	FBT	2004
T501	LINE FILTER	SLF-2501
T502	TRANS, SWITCHING	SST-4001
L101	COIL, PEAKING	1mH
L105	COIL, PEAKING	10μH
L301	COIL, LINEARITY	SLC-1403
L302	COIL, H-SIZE	SCC-373
L501	COIL, CHOKE	SCC-300
L503	COIL, CHOKE	SCC-300
L504	COIL, CHOKE	SCC-300

INTEGRATED CIRCUITS

U101	IC, LINEAR	CXA1044P
U201	IC, CMOS	GD4030B
U202	IC, LINEAR	TDA1675
U301	IC, LINEAR	LA7851
U302	IC, LINEAR(OP-AMP)	LM358N
U501	IC, HYBRID	STR58041
U502	IC, LINEAR	KIA7812

SEMI-CONDUCTORS

Q102	TRANSISTOR	2N3904
Q103	TRANSISTOR	2N3904
Q104	TRANSISTOR	2N3904
Q105	TRANSISTOR	2N5551
Q106	TRANSISTOR	2N5551
Q107	TRANSISTOR	2N5551
Q108	TRANSISTOR	2SC1507
Q109	TRANSISTOR	2SC1507
Q110	TRANSISTOR	2SC1507
Q201	TRANSISTOR	KTC3198Y
Q203	TRANSISTOR	KTC3198Y
Q204	TRANSISTOR	KTA1266
Q205	TRANSISTOR	KSC2330
Q301	TRANSISTOR	KTC3198Y
Q302	TRANSISTOR	2SC2235
Q303	TRANSISTOR	2SC4769
Q304	TRANSISTOR	KSD401
Q305	TRANSISTOR	KTC3198Y
Q501	TRANSISTOR	KTC3198Y
Q502	TRANSISTOR	KTC3198Y
D102	DIODE, SWITCHING	IN4148
D103	DIODE, SWITCHING	IN4148
D104	DIODE, SWITCHING	IN4148
D201	DIODE, RECTIFIER	IN4002
D202	DIODE, SWITCHING	IN4148
D203	DIODE, SWITCHING	IN4148
D204	DIODE, SWITCHING	IN4148
D205	DIODE, ZENER	1/2W 5.1V
D206	DIODE, SWITCHING	IN4148
D303	DIODE, SWITCHING	IN4148
D304	DIODE, ZENER	1/2W 5.1V
D305	DIODE, FAST RECOV.	RU4DS
D306	DIODE, FAST RECOV.	RG4A
D309	DIODE, FAST RECOV.	BA159
D310	DIODE, FAST RECOV.	BA159
D501	DIODE, BRIDGE	RB-156
D502	DIODE, FAST RECOV.	BA159
D503	DIODE, FAST RECOV.	IN4935
D504	DIODE, FAST RECOV.	IN4935
D505	DIODE, FAST RECOV.	IN4935
D506	DIODE, FAST RECOV.	IN4935

LOCATION NO. PARTS NAME SPECIFICATIONS

D507	DIODE, FAST RECOV.	RU2B
D509	DIODE, FAST RECOV.	IN4935
D510	DIODE, FAST RECOV.	IN4935

RESISTORS

TH501	POSISTOR	120V 8 ROM
TH502	THERMISTOR	8 OHM
VR101	VARIABLE RESISTOR	CET065C 1KB
VR102	VARIABLE RESISTOR	CET065C 1KB
VR103	VARIABLE RESISTOR	CET065C 1KB
VR104	VARIABLE RESISTOR	CET117 10KB
VR105	VARIABLE RESISTOR	CET117 10KB
VR106	VARIABLE RESISTOR	CET117 10KB
VR201	VARIABLE RESISTOR	CET92E 100KB
VR202	VARIABLE RESISTOR	CET065C 100KB
VR204	VARIABLE RESISTOR	CET92E 10KB
VR205	VARIABLE RESISTOR	CET065C 5KB
VR301	VARIABLE RESISTOR	CET92E 10KB
VR302	VARIABLE RESISTOR	CET065C 10KB
VR303	VARIABLE RESISTOR	CET92E 10KB
VR305	VARIABLE RESISTOR	CET92E 200KB
VR306	VARIABLE RESISTOR	CET92E 10KB
R104	RESISTOR, CARBON	1/4W 15K J
R105	RESISTOR, CARBON	1/4W 24K J
R106	RESISTOR, CARBON	1/4W 1K J
R107	RESISTOR, CARBON	1/4W 1K J
R110	RESISTOR, CARBON	1/4W 5.1K J
R111	RESISTOR, CARBON	1/4W 1K J
R112	RESISTOR, CARBON	1/4W 100 OHM J
R113	RESISTOR, CARBON	1/4W 100 OHM J
R114	RESISTOR, CARBON	1/4W 100 OHM J
R115	RESISTOR, CARBON	1/4W 1.8K J
R116	RESISTOR, CARBON	1/4W 4.7K J
R117	RESISTOR, CARBON	1/4W 1.2K J
R118	RESISTOR, CARBON	1/4W 1.2K J
R119	RESISTOR, CARBON	1/4W 1.2K J
R120	RESISTOR, CARBON	1/4W 150 OHM J
R121	RESISTOR, CARBON	1/4W 47 OHM J
R122	RESISTOR, CARBON	1/4W 150 OHM J
R123	RESISTOR, CARBON	1/4W 47 OHM J
R124	RESISTOR, CARBON	1/4W 150 OHM J
R125	RESISTOR, CARBON	1/4W 47 OHM J
R126	RESISTOR, MOF	3W 2.7K J
R127	RESISTOR, MOF	3W 2.7K J
R128	RESISTOR, MOF	3W 2.7K J
R129	RESISTOR, CARBON	1/4W 220 OHM J
R130	RESISTOR, CARBON	1/4W 220 OHM J
R131	RESISTOR, CARBON	1/4W 220 OHM J
R132	RESISTOR, CARBON	1/4W 220K J
R133	RESISTOR, CARBON	1/4W 220K J
R134	RESISTOR, CARBON	1/4W 220K J
R135	RESISTOR, CARBON	1/2W 100 OHM J
R136	RESISTOR, CARBON	1/2W 100 OHM J
R137	RESISTOR, CARBON	1/2W 100 OHM J
R141	RESISTOR, CARBON	1/2W 560 OHM J
R201	RESISTOR, CARBON	1/4W 27K J
R202	RESISTOR, CARBON	1/4W 4.7K J
R203	RESISTOR, CARBON	1/4W 2.7K J
R204	RESISTOR, CARBON	1/4W 150K J
R205	RESISTOR, CARBON	1/4W 2.2K J
R208	RESISTOR, CARBON	1/4W 7.5K J
R209	RESISTOR, CARBON	1/4W 10K J

PARTS LIST

LOCATION NO.	PARTS NAME	SPECIFICATIONS
R210	RESISTOR, CARBON	1/4W 200K J
R211	RESISTOR, CARBON	1/4W 470K J
R212	RESISTOR, CARBON	1/4W 56K J
R213	RESISTOR, CARBON	1/4W 2.2 OHM J
R214	RESISTOR, CARBON	1/4W 1.2K J
R215	RESISTOR, CARBON	1/4W 120 OHM J
R216	RESISTOR, CARBON	1/4W 2.4K J
R217	RESISTOR, CARBON	1/2W 820 OHM J
R218	RESISTOR, CARBON	1/2W 1.2 OHM J
R221	RESISTOR, CARBON	1/2W 150 OHM J
R222	RESISTOR, CARBON	1/2W 10 OHM J
R223	RESISTOR, CARBON	1/2W 10 OHM J
R224	RESISTOR, CARBON	1/4W 30K J
R225	RESISTOR, CARBON	1/4W 1.2K J
R226	RESISTOR, CARBON	1/4W 4.7K J
R227	RESISTOR, CARBON	1/4W 1K J
R228	RESISTOR, MOF	1/4W 4.7K J
R229	RESISTOR, CARBON	1/4W 4.7K J
R231	RESISTOR, CARBON	1/4W 4.7K J
R301	RESISTOR, CARBON	1/4W 27K J
R302	RESISTOR, CARBON	1/4W 4.7K J
R303	RESISTOR, CARBON	1/4W 4.7K J
R304	RESISTOR, CARBON	1/4W 2.7K J
R305	RESISTOR, CARBON	1/4W 150K J
R306	RESISTOR, CARBON	1/4W 1K J
R307	RESISTOR, CARBON	1/4W 2.2K J
R308	RESISTOR, CARBON	1/2W 22 OHM J
R309	RESISTOR, CARBON	1/4W 12K J
R310	RESISTOR, CARBON	1/4W 22K J
R311	RESISTOR, CARBON	1/4W 2.7K J
R312	RESISTOR, CARBON	1/4W 6.2K J
R313	RESISTOR, CARBON	1/4W 120K J
R314	RESISTOR, CARBON	1/4W 8.2K J
R315	RESISTOR, CARBON	1/4W 33K J
R316	RESISTOR, CARBON	1/4W 1K J
R317	RESISTOR, CARBON	1/4W 12K J
R318	RESISTOR, CARBON	1/4W 15K J
R319	RESISTOR, CARBON	1/4W 15K J
R320	RESISTOR, CARBON	1/4W 3.3K J
R321	RESISTOR, CARBON	1/4W 1K J
R322	RESISTOR, CARBON	1/2W 470 OHM J
R323	RESISTOR, CARBON	1/2W 1 OHM J
R324	RESISTOR, CARBON	1/4W 10 OHM J
R325	CEMENT	5W 330 OHM J
R326	RESISTOR, CARBON	1/4W 8.2K J
R327	RESISTOR, CARBON	1/4W 3K J
R328	RESISTOR, CARBON	1/4W 120K J
R329	RESISTOR, CARBON	1/2W 470 OHM J
R330	RESISTOR, CARBON	1/4W 33K J
R331	RESISTOR, CARBON	1/4W 12K J
R332	RESISTOR, CARBON	1/4W 820 OHM J
R333	RESISTOR, CARBON	1/4W 470 OHM J
R335	RESISTOR, CARBON	1/4W 22K J
R336	RESISTOR, CARBON	1/2W 1.5K J
R338	RESISTOR, CARBON	1/4W 56K J
R339	RESISTOR, CARBON	1/4W 39K J
R340	RESISTOR, CARBON	1/4W 100K J
R341	RESISTOR, MOF	1W 1 OHM J
R342	RESISTOR, MOF	1W 1 OHM J
R343	RESISTOR, MOF	1W 1 OHM J
R344	RESISTOR, CARBON	1/4W 100K J
R345	RESISTOR, CARBON	1/4W 180K J
R346	RESISTOR, CARBON	1/4W 1K J
R347	RESISTOR, CARBON	1/4W 10K J

LOCATION NO.	PARTS NAME	SPECIFICATIONS
R348	RESISTOR, CARBON	1/4W 2.7 K J
R349(D301)	RESISTOR, CARBON	1/4W 680 OHM J
R501	RESISTOR, CARBON	1/2W 270K J
R502	RESISTOR, CARBON	1/2W 270K J
R503	RESISTOR, CARBON	1/2W 470K J
R504	RESISTOR, MOF	2W 100K J
R505	RESISTOR, CARBON	1/2W 56 OHM J
R506	RESISTOR, CARBON	1/2W 56 OHM J
R507	RESISTOR, CARBON	1/2W 56 OHM J
R508	RESISTOR, MOF	1W 22 OHM J
R509	RESISTOR, CEMENT	2W 1 OHM J
R510	RESISTOR, MOF	1W 22 OHM J
R513	RESISTOR, MOF	2W 15K J
R516	RESISTOR, MOF	1W 1 OHM J
R518	RESISTOR, MOF	1W 1 OHM J
R519	RESISTOR, MOF	1/4W 27K J
R522	RESISTOR, CARBON	1/2W 270K J
R527	RESISTOR, MOF	2W 100K J

CAPACITORS

C101	CAPACITOR, ELT	0.47MF
C102	CAPACITOR, ELT	0.47MF
C103	CAPACITOR, ELT	0.47MF
C104	CAPACITOR, ELT	25V 100μF
C105	CAPACITOR, ELT	25V 22μF
C106	CAPACITOR, CERAMIC	50V 104pF
C107	CAPACITOR, ELT	50V 1μF
C108	CAPACITOR, ELT	50V 1μF
C109	CAPACITOR, CERAMIC	50V 471pF
C110	CAPACITOR, ELT	25V 22μF
C111	CAPACITOR, CERAMIC	50V 271pF
C112	CAPACITOR, CERAMIC	50V 271pF
C113	CAPACITOR, CERAMIC	50V 271pF
C114	CAPACITOR, CERAMIC	500V 472pF
C116	CAPACITOR, CERAMIC	500V 472pF
C117	CAPACITOR, ELT	160V 1μF
C118	CAPACITOR, ELT	160V 1μF
C119	CAPACITOR, ELT	160V 1μF
C120	CAPACITOR, ELT	160V 33μF
C122	CAPACITOR, ELT	250V 1μF
C123	CAPACITOR, CERAMIC	1KV 472pF
C124	CAPACITOR, CERAMIC	2KV 472pF
C201	CAPACITOR, ELT	16V 10μF
C202	CAPACITOR, MYLAR	50V 473pF J
C203	CAPACITOR, MYLAR	50V 103pF J
C205	CAPACITOR, MYLAR	50V 104pF J
C207	CAPACITOR, MYLAR	50V 224pF J
C208	CAPACITOR, ELT	35V 220μF
C209	CAPACITOR, MYLAR	50V 104pF J
C210	CAPACITOR, MYLAR	50V 104pF J
C211	CAPACITOR, MYLAR	50V 224pF J
C212	CAPACITOR, ELT	16V 47μF
C213	CAPACITOR, ELT	25V 2200μF
C217	CAPACITOR, ELT	35V 47μF
C218	CAPACITOR, ELT	50V 10μF
C219	CAPACITOR, ELT	250V 1μF
C220	CAPACITOR, MYLAR	50V 104pF J
C300	CAPACITOR, MYLAR	50V 102pF J
C301	CAPACITOR, ELT	16V 10μF
C302	CAPACITOR, MYLAR	50V 473pF J
C305	CAPACITOR, CERAMIC	50V 101pF
C306	CAPACITOR, ELT	25V 100μF
C307	CAPACITOR, MYLAR	50V 102pF J
C308	CAPACITOR, CERAMIC	50V 102pF J

PARTS LIST

LOCATION NO.	PARTS NAME	SPECIFICATIONS	LOCATION NO.	PARTS NAME	SPECIFICATIONS
C309	CAPACITOR, MYLAR	50V 882pF J	P201	CONN. HEADER	LW0640-05P
C310	CAPACITOR, ELT	50V 1μF	P202	CONN. HEADER	DAPB-4P-W
C311	CAPACITOR, ELT	50V 1μF	P203	CONN. HEADER	DAPB-4P-W
C312	CAPACITOR, MYLAR	50V 103pF J	P204	CONN. HEADER	LW0640-12P
C313	CAPACITOR, P. P.	100V 562pF J	P205	WAFER	3024-12CHPB
C314	CAPACITOR, ELT	16V 4.7μF	P501	CONN. HEADER	LWP1143-02P
C315	CAPACITOR, ELT	25V 220μF	P502	PIN BASE(1PIN)	2.36 ø x 2
C316	CAPACITOR, ELT	35V 100μF	P503	CONN. ASS'Y	BL101
C317	CAPACITOR, MYLAR	50V 473pF J	SIGNAL CABLE	SWA-2004A(CH1143-06P)	
C318	CAPACITOR, ELT	25V 220μF	VR CABLE	SWA-1011A 12P(CHW0640-CHW0640)	
C319	CAPACITOR, MYLAR	50V 104pF J	POWER CORD	SWA-1012A(CHP1143-2P)	
C320	CAPACITOR, P. P.	1.6KV 472pF J	D.Y CONNECTOR	SWA-1013A(BL104)	
C321	CAPACITOR, P. P.	630V 333pF J	DEGAUSSING COIL	SDC-1505A	
C322	CAPACITOR, CERAMIC	500V 471pF	EARTH WIRE	SWA-1505A	
C323	CAPACITOR, P. P.	200V 364pF J	P.C.B	MAIN B/D	
C324	CAPACITOR, ELT	35V 47μF		SOCKET B/D	
C325	CAPACITOR, MYLAR	50V 103pF J		CONTROL B/D	
C326	CAPACITOR, MYLAR	50V 272pF J			
C327	CAPACITOR, ELT	160V 47μF			
C328	CAPACITOR, ELT	160V 33μF			
C329	CAPACITOR, ELT	25V 100μF			
C330	CAPACITOR, CERAMIC	50V 104pF			
C331	CAPACITOR, MYLAR	50V 104pF J			
C332	CAPACITOR, ELT	250V 1μF			
C334	CAPACITOR, ELT	250V 1μF			
C335	CAPACITOR, ELT	25V 10μF			
C336	CAPACITOR, P. P.	1.6KV 472pF J			
C501	CAPACITOR, X-CAP	250VAC 104pF K			
C502	CAPACITOR, Y-CAP	250VAC 472pF			
C503	CAPACITOR, Y-CAP	250VAC 472pF			
C504	CAPACITOR, X-CAP	250VAC 104pF K			
C505	CAPACITOR, ELT	200V 220μF			
C506	CAPACITOR, P. P.	630V 683pF J			
C508	CAPACITOR, MYLAR	50V 223pF J			
C509	CAPACITOR, ELT	100V 10μF			
C510	CAPACITOR, ELT	100V 10μF			
C513	CAPACITOR, CERAMIC	1KV 331pF			
C514	CAPACITOR, ELT	160V 100μF			
C515	CAPACITOR, ELT	160V 100μF			
C516	CAPACITOR, CERAMIC	500V 103pF			
C521	CAPACITOR, CERAMIC	1KV 331pF			
C522	CAPACITOR, ELT	35V 1000μF			
C523	CAPACITOR, ELT	35V 2200μF			
C524	CAPACITOR, CERAMIC	50KV 104pF			
C525	CAPACITOR, CERAMIC	1KV 331pF			
C526	CAPACITOR, ELT	25V 1000μF			
C527	CAPACITOR, ELT	25V 2200μF			
C530	CAPACITOR, ELT	200V 220μF			

MISCELLANEOUS

SG1	SPARK GAP	1KV
SG2	SPARK GAP	1KV
SG3	SPARK GAP	1KV
SG4	SPARK GAP	1KV
SG5	SPARK GAP	1.5KV
F501	FUSE	250VAC 3A TIME-LAG
F501	FUSE HOLDER	FC51A
X101	CRT SOCKET	ISM(29 ø)
P101	CONN. HEADER	LW1143-06P
P102	CONN. HEADER	LW0640-06P
P103	WIRE ASS'Y	6P(BH0640-CHW0640)
P104	WIRE ASS'Y	5P(BH0640-CHW0640)
P105	PIN BASE(1PIN)	2.36 ø

HAPP CONTROLS

Manufacturer of Electronic Controls

106 Garlisch Drive · Elk Grove, IL60007 USA